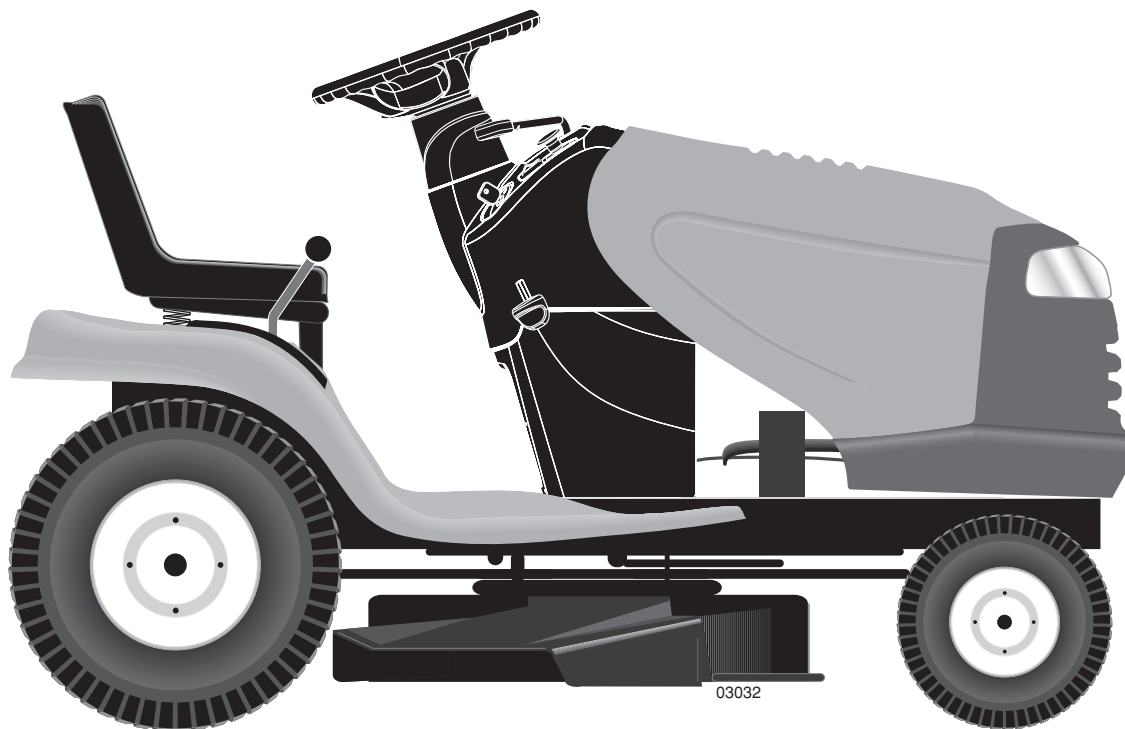


IMPORTANT MANUAL

DO NOT THROW AWAY

Poulan PRO



REPAIR PARTS MANUAL

MODEL:

PB22H42YT

LAWN TRACTOR

ALWAYS WEAR EYE PROTECTION DURING OPERATION

Visit our website: www.poulanpro.com



WARNING:

Read this Manual and follow all Warnings and Safety Instructions. Failure to do so can result in serious injury.

532 44 69-52

02.08.12 SR
Printed in the U.S.A.

HOW TO USE THIS MANUAL

This manual is designed to provide the customer with a means to identify the parts on his/her tractor when ordering repair parts. The illustrations may or may not represent the actual assemblies; therefore, it is not recommended to use this manual as a guide to assemble or disassemble the tractor. Some hardware and parts are drawn larger in order to more readily identify them.

Each tractor has its own model number.

The model number for your tractor can be found on the fender under the seat.

When ordering parts, always give the following information:

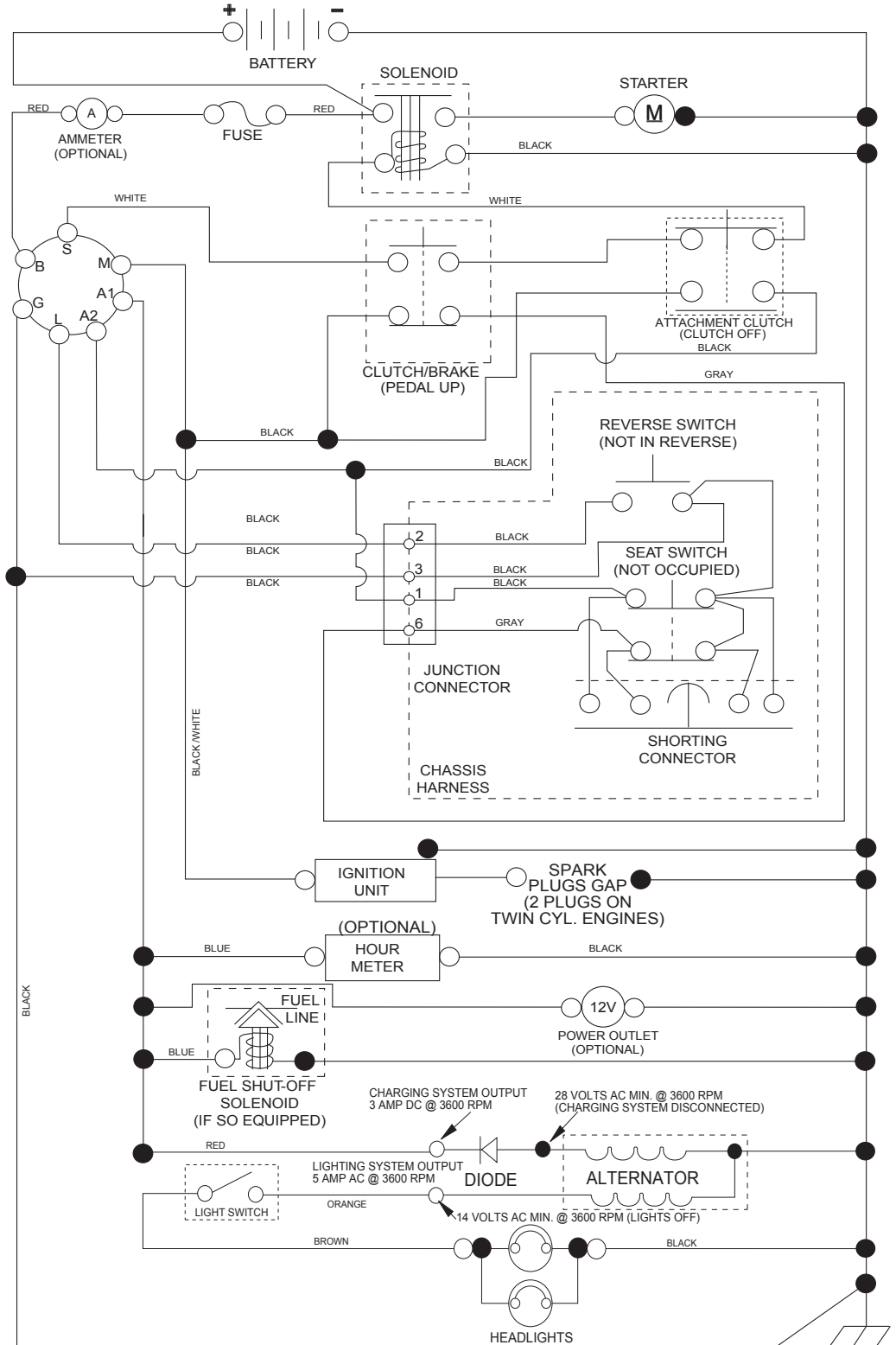
- Product - "TRACTOR"
- MODEL NUMBER - "PB22H42YT (96048002900)"
- Part Number
- Part Description

TABLE OF CONTENTS

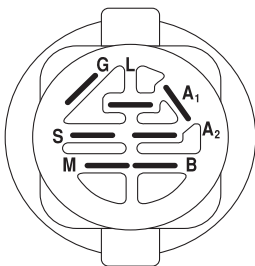
SCHEMATIC	3
ELECTRICAL.....	4-5
CHASSIS	6-7
DRIVE.....	8-9
ENGINE.....	10-11
STEERING	12-13
MOWER DECK	14-15
MOWER LIFT.....	16
SEAT	17
DECALS.....	18
WARRANTY.....	19
PARTS AND SERVICE	20

TRACTOR - MODEL NO. PB22H42YT (96048002900), PRODUCT NO. 960 48 00-29 SCHEMATIC

SCH11

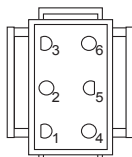


NOTE
YOUR TRACTOR IS EQUIPPED WITH A SPECIAL ALTERNATOR SYSTEM. THE LIGHTS ARE NOT CONNECTED TO THE BATTERY, BUT HAVE THEIR OWN ELECTRICAL SOURCE. BECAUSE OF THIS, THE BRIGHTNESS OF THE LIGHTS WILL CHANGE WITH ENGINE SPEED. AT IDLE THE LIGHTS WILL DIM. AS THE ENGINE IS SPEEDED UP, THE LIGHTS WILL BECOME THEIR BRIGHTEST.

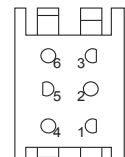


IGNITION SWITCH

POSITION	CIRCUIT	"MAKE"
OFF	M+G+A1	
RUN/OVERRIDE	B+A1	
RUN	B+A1	L+A2
START	B + S + A1	



CHASSIS HARNESS CONNECTOR (MATING SIDE)



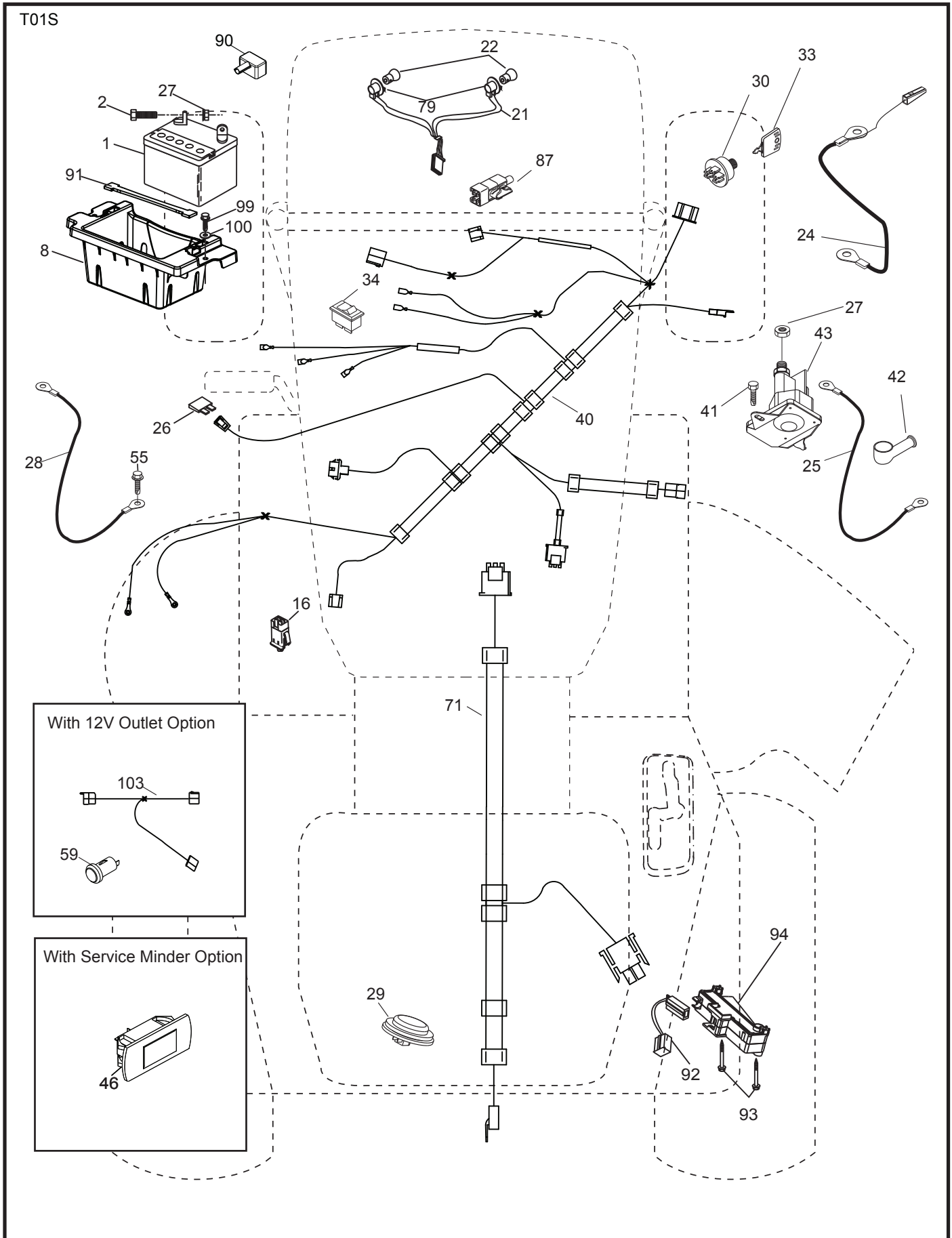
DASH HARNESS CONNECTOR (MATING SIDE)

WIRING INSULATED CLIPS
NOTE: IF WIRING INSULATED CLIPS WERE REMOVED FOR SERVICING OF UNIT, THEY SHOULD BE RE-INSTALLED TO PROPERLY SECURE YOUR WIRING.

●
NON-REMOVABLE CONNECTIONS

○
REMOVABLE CONNECTIONS

**TRACTOR - MODEL NO. PB22H42YT (96048002900), PRODUCT NO. 960 48 00-29
ELECTRICAL**

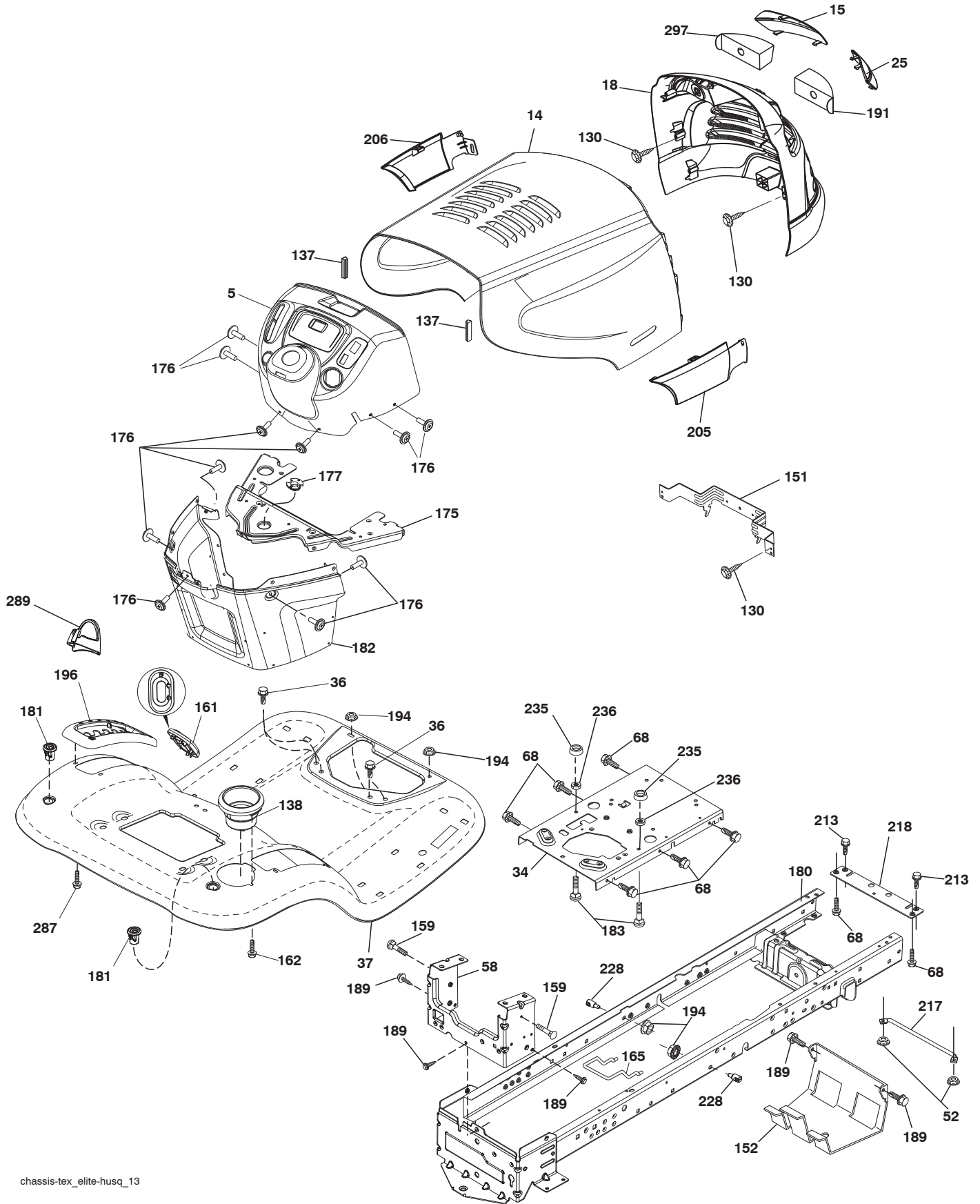


**TRACTOR - MODEL NO. PB22H42YT (96048002900), PRODUCT NO. 960 48 00-29
ELECTRICAL**

KEY NO.	PART NO.	DESCRIPTION
1	532 16 34-65	Battery
2	874 76 04-12	Bolt Hex Head 1/4-20 x 3/4
8	532 18 64-91	Box Battery
16	532 17 61-38	Switch Interlock Push-In
21	532 18 37-59	Harness Socket Light w/4152J
22	532 00 41-52	Bulb Light
24	532 40 02-53	Cable Battery
25	532 41 28-94	Cable Starter
26	532 17 51-58	Fuse
27	873 51 04-00	Nut Keps Hex 1/4-20 unc
28	532 14 54-91	Cable, Ground
29	532 40 15-45	Switch, Seat
30	532 19 33-50	Switch, Ignition
33	532 41 19-35	Key/Chain
34	532 11 07-12	Switch Light/Reset
40	532 40 10-98	Harness Ignition Dash/Lift
41	817 72 04-08	Screw Thd Cut 1/4-20 x 1/2
42	532 13 15-63	Cover, Terminal
43	532 19 25-07	Solenoid
46	532 40 17-63	Gauge SRVCMNDR HRMTR
55	817 06 05-12	Screw Thdrol 5/16-18 x 3/4 TYTT
71	532 19 42-76	Harness Ignition Chassis/Lift
79	532 17 52-42	Socket Asm Bulb Twistlock
87	532 19 78-02	Switch Interlock Clutch Cable
90	532 43 53-95	Cover Terminal Battery
91	532 19 02-70	Strap Battery Mount Front
92	532 19 66-15	Harness Pigtail Console ROS
93	532 19 25-40	Screw Plastite 10-14 x 2.0
94	532 19 18-34	Module Reverse ROS
99	817 67 04-12	Screw 1/4-20 x 1/2
100	819 09 14-16	Washer 9/32 x 7/8 x 16 Ga.

NOTE: All component dimensions given in U.S. inches
1 inch = 25.4 mm

TRACTOR - MODEL NO. PB22H42YT (96048002900), PRODUCT NO. 960 48 00-29
CHASSIS



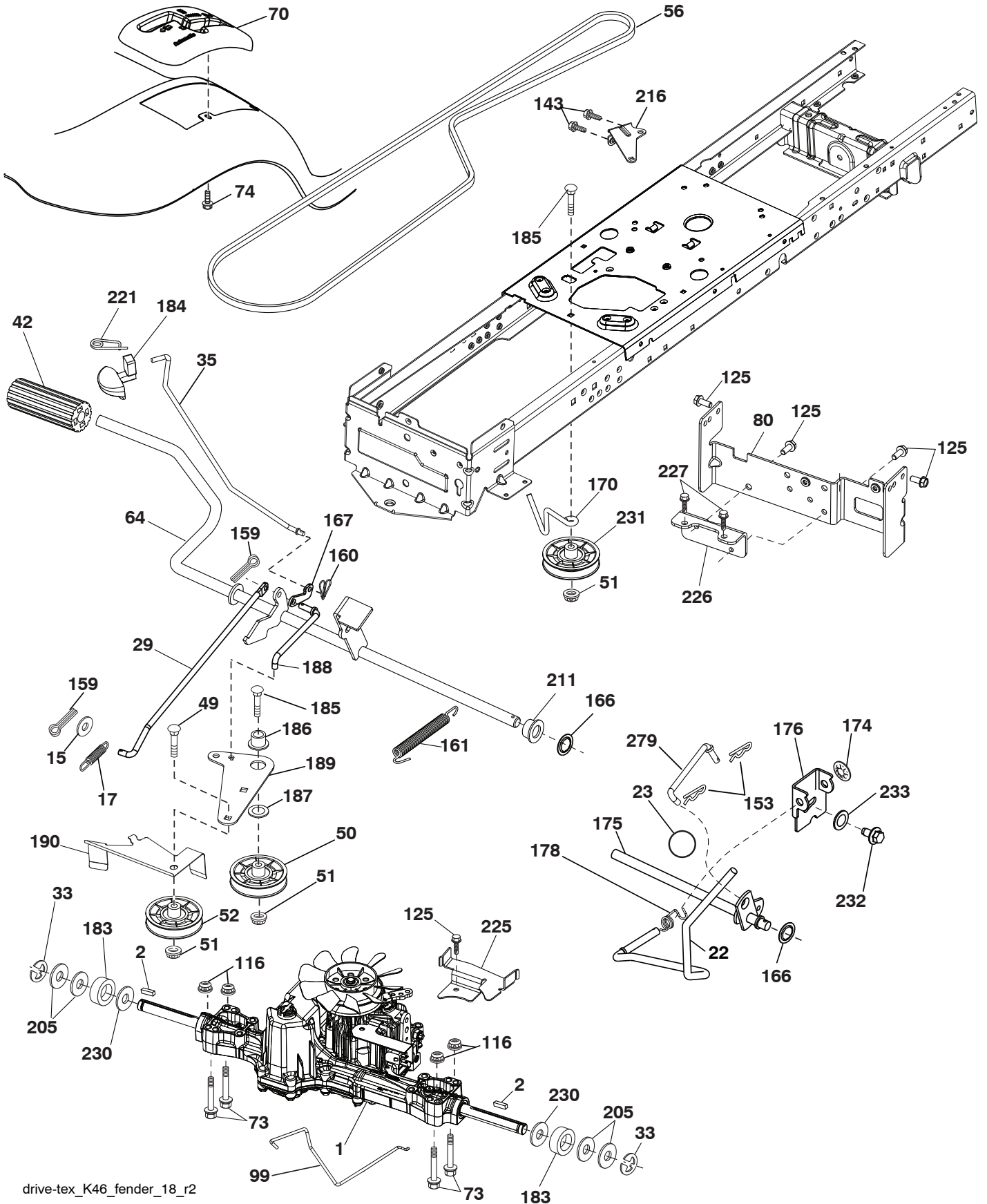
chassis-tex_elite-husq_13

**TRACTOR - MODEL NO. PB22H42YT (96048002900), PRODUCT NO. 960 48 00-29
CHASSIS**

KEY NO.	PART NO.	DESCRIPTION
5	532 43 27-79	Dash Upper
14	532 43 91-57	Hood Pnt Elite Spl-Tp W-Skirts
15	532 18 99-82	Lens Elite-Husq Clear LH
18	532 43 27-78	Grille
25	532 18 99-81	Lens Elite-Husq Clear RH
34	532 44 72-53	Plate Engine
36	817 06 05-12	Screw 5/16-18 x 3/4 SMGML Tap/R
37	532 44 15-92	Fender
52	873 68 05-00	Nut, Hex, Crownlock 5/16-18
58	532 41 22-80	Drawbar Upper 2PC SML Fender
68	817 49 05-08	Screw Thdrol 5/16-18 x 1/2 TYTT
130	532 41 63-58	Screw
137	532 18 49-21	Bumper Hood Large 1 75"
138	532 40 97-30	Cupholder TI Tex 428
151	532 40 78-07	Bracket Pivot Lasr/Elte/Husqlt
152	532 19 95-35	Shield Browning W/Tex
159	817 00 06-12	Screw 3/8-16 x 3/4
161	532 41 20-72	Window Fuel
162	532 14 24-32	Screw Hex Wsh Hi-Lo 1/4 x 1/2 unc
165	532 19 68-26	Support Tank Rear
175	532 19 32-43	Crossmember Lt
176	532 40 07-76	Screw #10-24X5/8 RND QUDRX GIM
177	532 19 52-27	Bushing Steering Yt/Gt
180	532 41 50-63	Chass Wldmt TI 12 Ga/2Pc 18/22"
181	532 40 47-96	Bushing Mnt Fend Crgo Blk Tex
182	532 19 30-57	Dash Lower LT CCS
183	874 52 05-20	Bolt 5/16-18 x 1-1/4
189	817 00 05-12	Screw 5/16-18 x 3/4 SMGML TAP/BL
191	532 41 65-00	Insert Reflective RH
194	873 90 05-00	Nut, Lock Hex Flange 5/16-18 unc
196	532 41 45-79	Console Asm Decklft Bl/Rbt Tlt
205	532 42 47-47	Skirt Side RH Elite Husq 428
206	532 42 47-48	Skirt Side LH Elite Husq 428
213	874 76 05-12	Bolt, Hex Head 5/16-18 x 3/4
217	532 40 91-67	Rod Pivot Hood
218	532 19 63-95	X-Piece Hood Stop Non/Stealth
228	532 19 51-61	Stud Fastner W/D'anti-Rotatio
235	532 40 61-29	Spacer Fender
236	873 93 05-00	Nut Center Lock 5/16-18 unc
287	817 60 04-06	Screw Hex Washhead 1/4-20 x 3/8
289	532 43 27-81	Plug Cruise Hook Phone
297	532 18 82-67	Insert Lens RFLCT ELT-Husq

NOTE: All component dimensions given in U.S. inches
1 inch = 25.4 mm

**TRACTOR - MODEL NO. PB22H42YT (96048002900), PRODUCT NO. 960 48 00-29
DRIVE**



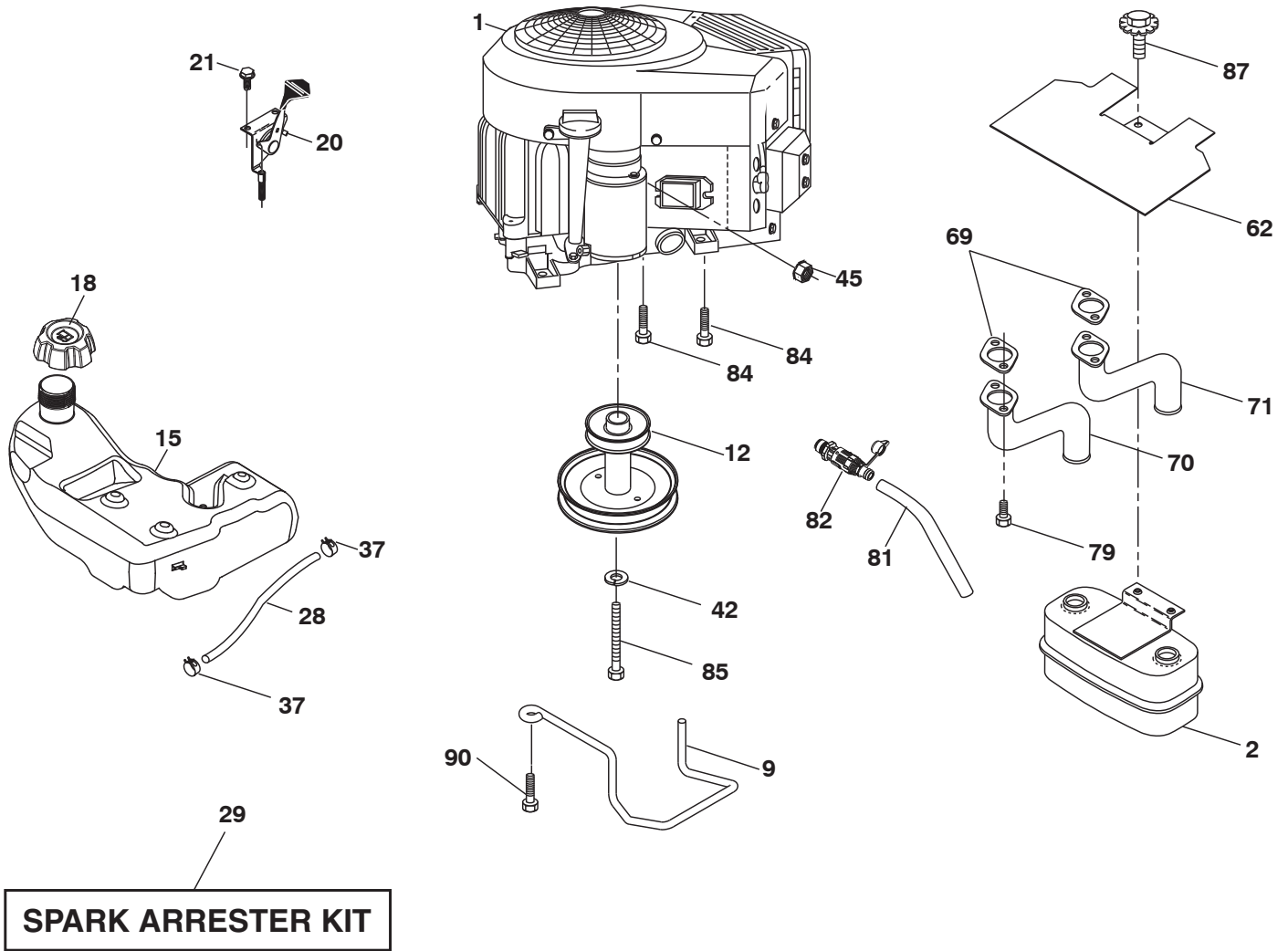
drive-tex_K46_fender_18_r2

**TRACTOR - MODEL NO. PB22H42YT (96048002900), PRODUCT NO. 960 48 00-29
DRIVE**

KEY NO.	PART NO.	DESCRIPTION	KEY NO.	PART NO.	DESCRIPTION
1	---	Transaxle, Tufftorq K46BA (408214)(Order parts from transaxle manufacturer.)	175	532 40 85-39	Shaft Asm Shift
2	532 12 35-83	Key Square	176	532 19 62-14	Arm Clevis Rod Shift
15	819 13 13-16	Washer 13/32 x 13/16 x 16 Ga.	178	532 19 74-56	Spring Shift
17	532 41 36-78	Spring, Brake	183	532 13 70-57	Spacer Axle
22	532 19 76-60	Rod Shift	184	532 44 15-04	Handle Parking Brake
23	532 10 69-33	Knob	185	872 11 06-22	Bolt
29	532 40 38-06	Rod, Brake	186	532 19 43-21	Spacer Retainer
33	812 00 00-01	Ring E	187	819 13 32-10	Washer
35	532 19 77-22	Rod, Brake, Park	188	532 19 43-23	Link Clutch Ground Drive
42	532 12 48-72	Cover, Foot Pedal	189	532 19 43-17	Bellcrank Ground Drive
49	872 11 06-14	Bolt	190	532 19 43-18	Keeper Bellcrank Ground Drive
50	532 19 43-27	Pulley Idler Flat	205	532 12 17-48	Washer 25/32 x 1-5/8 x 16 Ga.
51	873 90 06-00	Lock Nut 3/8-16	211	532 19 62-12	Bushing Shaft
52	532 19 43-26	Idler V-Groove	216	532 19 61-31	Bracket Pulley Idler
56	532 13 09-69	V-Belt, Drive	221	532 40 31-87	Retainer Spring Clip Handle
64	532 19 62-00	Shaft Asm. Pedal Brake Control	225	532 40 33-19	Keeper Belt Transaxle
70	532 41 13-29	Console	226	532 40 15-64	Bracket Mount Torque
73	874 49 05-40	Bolt Hex 5/16-18 x 2-1/2 G5	227	817 49 05-12	Screw 5/16-18 x 3/4
74	532 14 24-32	Screw 1/4 x 1/2	230	532 18 89-67	Washer Harden .793 x 1.637 x 060
80	532 44 06-19	Strap Torque	231	532 40 72-87	Idler V-Groove
99	532 41 57-42	Rod Spring Bypass	232	874 78 07-16	Bolt 7/16-14 x 1 Gr 5
116	873 90 05-00	Nut Lock Hex Flange 5/16-18	233	532 40 52-96	Washer Serrated
125	817 00 05-12	Screw 5/16-18 x 3/4	279	532 41 31-50	Link Shift
143	817 49 05-08	Screw THDROL 5/16-18			
153	532 12 47-88	Retainer Spring 1"			
159	876 02 04-12	Pin Cotter 1/8 x 3/4			
160	532 16 94-84	Retainer Clip			
161	532 10 57-09	Spring, Return, Clutch			
166	532 42 91-64	Nut Push .625			
167	532 40 52-57	Latch Brake Parking			
170	532 41 34-30	Keeper Belt Centerspan			
174	532 19 72-89	Nut Push			

NOTE: All component dimensions given in U.S. inches
1 inch = 25.4 mm

**TRACTOR - MODEL NO. PB22H42YT (96048002900), PRODUCT NO. 960 48 00-29
ENGINE**



engine-tex_bs-2cyl_73

**TRACTOR - MODEL NO. PB22H42YT (96048002900), PRODUCT NO. 960 48 00-29
ENGINE**

KEY PART NO.	PART NO.	DESCRIPTION
1	— — — — —	Engine B8S Model No. 407777-1574-G5 (438753) (Order parts from engine manufacturer.)
2	532 14 97-23	Muffler
9	532 19 43-20	Keeper Belt Engine
12	532 40 54-71	Pulley Engine
15	532 43 80-80	Tank Fuel
18	532 43 02-14	Cap Fuel
20	532 42 35-02	Control Throttle/Choke
21	532 41 63-58	Screw #10 x 0.750 BOS Thread
28	532 40 11-37	Fuel Line
29	532 13 71-80	Spark Arrester Kit
37	532 12 34-87	Clamp Hose
42	810 04 07-00	Washer Lock 7/16
45	873 51 04-00	Nut Keps Hex 1/4-20 unc
62	532 43 40-17	Shield Heat Muffler
69	532 16 53-91	Gasket
70	532 15 99-55	Exhaust Tube LH
71	532 16 05-89	Exhaust Tube RH
79	532 18 39-06	Screw Socket HD 5/16-18 x 1
81	532 14 84-56	Tube Drain Oil Easy
82	532 42 82-87	Valve Drain Oil
84	817 06 06-20	Screw 3/8-16 x 1-1/4
85	532 17 39-37	Bolt 7/16-20 x 4 x Gr. 5-1.5
87	532 17 18-77	Bolt 5/16-18 unc x 3/4
90	817 00 06-16	Screw 3/8-16 x 1

NOTE: All component dimensions given in U.S. inches
1 inch = 25.4 mm

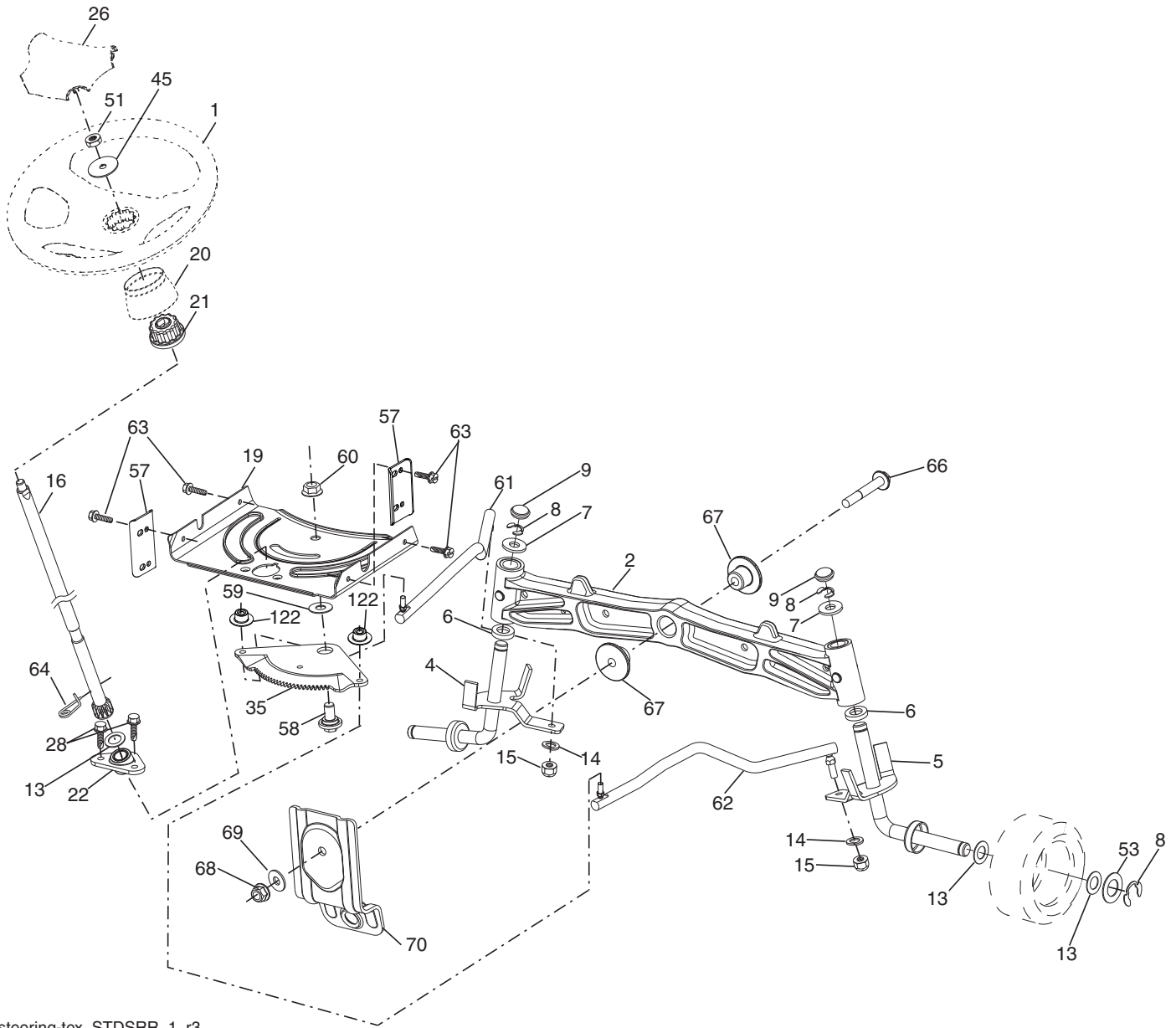
For engine service and replacement parts, call the toll free number for your engine manufacturer listed below:

Briggs 8 Stratton 1-800-233-3723

Engine Power Rating Information

The gross power rating for individual gas engine models is labeled in accordance with SAE (Society of Automotive Engineers) code J1940 (Small Engine Power & Torque Rating Procedure), and rating performance has been obtained and corrected in accordance with SAE J1995 (Revision 2002-05). Torque values are derived at 3060 RPM; horsepower values are derived at 3600 RPM. Actual gross engine power will be lower and is affected by, among other things, ambient operating conditions and engine-to-engine variability. Given both the wide array of products on which engines are placed and the variety of environmental issues applicable to operating the equipment, the gas engine will not develop the rated gross power when used in a given piece of power equipment (actual “on-site” or net power). This difference is due to a variety of factors including, but not limited to, accessories (air cleaner, exhaust, charging, cooling, carburetor, fuel pump, etc.), application limitations, ambient operating conditions (temperature, humidity, altitude), and engine-to-engine variability. Due to manufacturing and capacity limitations, Briggs & Stratton may substitute an engine of higher rated power for this Series engine.

TRACTOR - MODEL NO. PB22H42YT (96048002900), PRODUCT NO. 960 48 00-29
STEERING ASSEMBLY



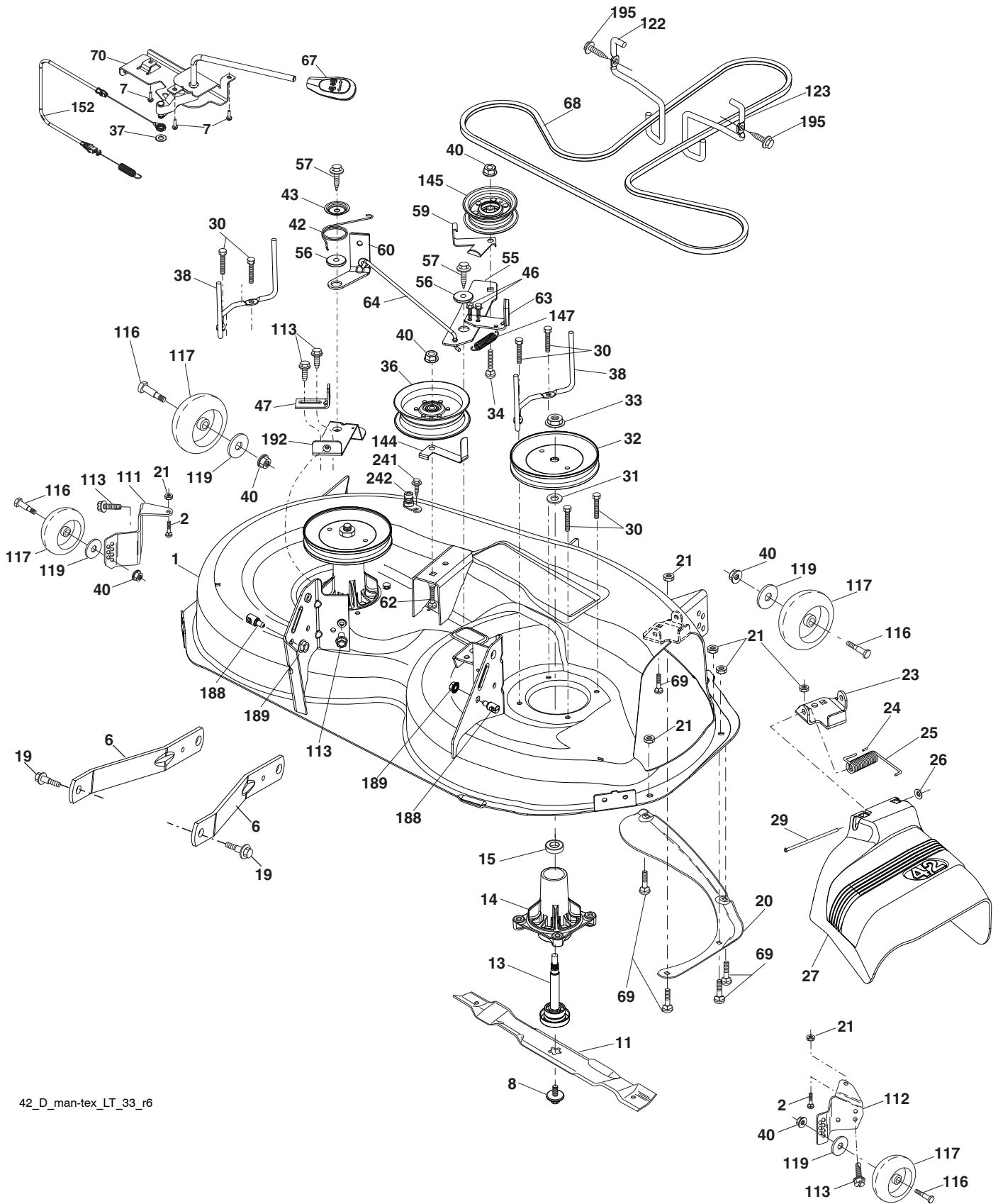
steering-tex_STDSRR_1_r3

**TRACTOR - MODEL NO. PB22H42YT (96048002900), PRODUCT NO. 960 48 00-29
STEERING ASSEMBLY**

KEY NO.	PART NO.	DESCRIPTION
1	532 42 45-51	Wheel, Steering
2	532 19 59-68	Axle Asm., Front
4	532 40 30-87	Spindle Asm., LH
5	532 40 30-88	Spindle Asm., RH
6	532 12 49-31	Bearing, Race Thrust Harden
7	532 12 17-48	Washer 25/32 x 1-5/8 x 16 Ga.
8	812 00 00-29	Ring, Clip #T5304-75
9	532 12 12-32	Cap, Spindle
13	532 12 17-49	Washer 25/32 x 1-1/4 x 16 Ga.
14	810 04 06-00	Washer, Lock Hvy Hlcl Spr 3/8
15	873 54 06-00	Nut, Crown Lock 3/8-24 unf
16	532 40 82-19	Shaft Steering
19	532 19 47-29	Plate Steering
20	532 43 27-84	Boot, Steering
21	532 18 67-37	Adapter, Wheel Steering
22	532 42 05-37	Steering Support Lower
26	532 42 45-53	Insert, Wheel Steering
28	817 00 06-12	Screw 3/8-16 x 3/4
35	532 19 47-32	Gear, Sector Plate
45	819 18 38-12	Washer 9/16 ID x 2-3/8 x 12 Ga.
51	873 94 08-00	Nut Hex Jam Toplock 1/2-20 unf
53	532 18 89-67	Washer Hardened .793 x 1.637 x .060
57	532 40 74-65	Bracket Upstop
58	532 19 47-47	Bolt Shoulder Sector Pivot CFM
59	532 19 47-48	Washer Thrust Sector Steering
60	873 97 10-00	Nut Flange Lock 5/8-11
61	532 19 47-40	Draglink, LH
62	532 19 47-41	Draglink, RH
63	817 00 05-12	Screw 5/16-18 x 3/4
64	532 19 98-49	Retainer Clip Spring Steering
66	871 02 07-48	Bolt Hex Fghd 7/16-14 x 3 Serr
67	532 19 47-37	Bushing PM Front Axle
68	873 90 07-00	Nut Lock Flange 7/16-14 Gr. 5
69	532 19 91-62	Washer 1.5 x .505 x .118
70	532 19 61-97	Bracket Deck Susp. Front
122	532 44 49-62	Cap Gear Sector

NOTE: All component dimensions given in U.S. inches
1 inch = 25.4 mm

**TRACTOR - MODEL NO. PB22H42YT (96048002900), PRODUCT NO. 960 48 00-29
MOWER DECK**



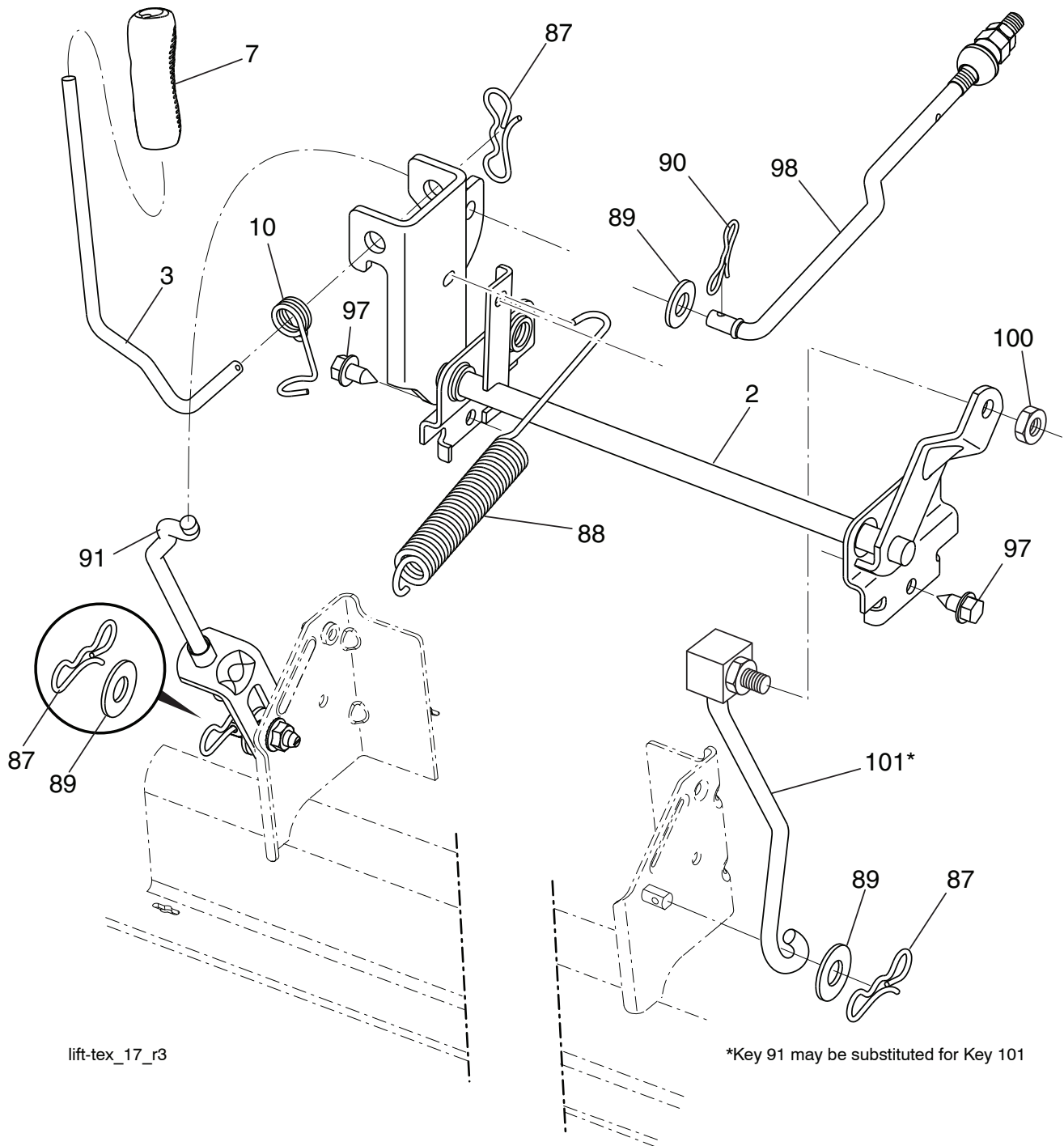
42_D_man-tex_LT_33_r6

**TRACTOR - MODEL NO. PB22H42YT (96048002900), PRODUCT NO. 960 48 00-29
MOWER DECK**

KEY NO.	PART NO.	DESCRIPTION	KEY NO.	PART NO.	DESCRIPTION
1	532 19 64-95	Mower Housing	57	817 00 06-16	Screw Hexwsh Thd 3/8-16 x 1
2	872 14 05-06	Bolt Rdhd 5/16-18 x 3/4	59	532 14 10-43	Guard, Tuv Idler (94)
6	532 19 51-86	Arm Suspension	60	532 19 72-61	Arm Brake Mower
7	532 41 63-58	Screw #10 x 0.750 BOS Thread	62	872 11 06-16	Bolt Rdhd Sqnk 3/8-16 unc x 2
8	532 19 30-03	Bolt/Washer Asm 7/16-20 unf	63	532 19 94-77	Arm Brake Mower
11	532 13 89-71	Blade, 42" Hi-Lift (For bagging or discharge)	64	532 19 97-90	Linkage Brake
--	532 13 97-75	Blade, 42" Mulching Premium (For better wear when mulching)	67	532 40 30-12	Handle, Clutch Cable
--	532 13 41-49	Blade, 42" Mulching Std (For mulching mowers only)	68	532 42 96-36	V-Belt
--	532 42 47-52	Blade 42SP" 3N1	69	872 14 05-05	Bolt Rdhd Sqnk 5/16-18 x 5/8
--	532 42 27-19	Blade 42SP" Premium	70	532 19 97-79	Clutch Asm. Manual
13	532 19 28-72	Shaft Assembly, Mandrel	111	532 40 47-84	Bracket Wheel Gauge LH
14	532 18 72-81	Housing, Mandrel	112	532 40 47-85	Bracket Wheel Gauge RH
15	532 11 04-85	Bearing, Ball, Mandrel	113	817 00 05-10	Screw 5/16-18
19	532 19 65-39	Bolt, Shoulder	116	532 12 48-42	Bolt Shoulder "A" 2.41 "B" 1.66
20	532 15 97-70	Baffle, Vortex	117	532 18 86-06	Wheel Gage
21	873 68 05-00	Nut, Crownlock 5/16-18 unc	119	819 12 14-14	Washer 3/8 x 7/8 x 14 Ga.
23	532 19 25-57	Bracket, Deflector	122	532 19 72-58	Keeper Belt Eng. LH
24	532 10 53-04	Cap, Sleeve	123	532 19 72-59	Keeper Belt Eng. RH
25	532 19 70-26	Spring, Torsion, Deflector	144	532 19 92-04	Keeper Belt
26	532 11 04-52	Nut, Push	145	532 19 31-97	Pulley Idler Primary
27	532 40 30-04	Shield, Deflector	147	532 40 19-71	Spring Return
29	532 13 14-91	Rod, Hinge	152	532 43 51-11	Cable Clutch Manual w/Spr.
30	532 17 39-84	Screw Thdrol Rolling Wsh Hd	188	532 19 51-61	Stud Fastener
31	532 18 76-90	Washer, Spacer	189	873 90 05-00	Nut Lock Hex Flange
32	532 19 74-73	Pulley, Mandrel	192	532 19 72-60	Bracket Brake Stand LH
33	532 40 02-34	Nut, Toplock, Flanged	195	817 00 06-12	Screw Hexwsh Thdr 3/8-16 x 3/4
34	872 11 06-12	Bolt Carr Sh. 3/8-16 x 1-1/2 Gr. 5	241	532 15 29-27	Screw #10-32.5 3/8 Flange
36	532 19 73-79	Pulley, Idler 4.50 RAW	242	532 41 55-98	Port Washout
37	819 13 13-16	Washer 13/32 x 13/16 x 16 Ga.	---	532 41 64-05	Coupling Quick Connect
38	532 43 25-20	Keeper Belt Mandrel	---	532 19 28-70	Mandrel Assembly (Includes housing, shaft assembly, and bearing only - pulley/nut/washer and blade bolt/washers not included)
40	873 90 06-00	Nut, Lock Flg. 3/8-16 unc	---	532 43 25-66	Replacement Mower, Complete
42	532 19 84-10	Spring Torsion Brake			
43	532 19 72-56	Spring Torsion Retainer			
46	532 13 77-29	Screw Thd Roll 1/4-20 x 5/8			
47	532 19 72-50	Bracket Clutch Cable			
55	532 43 71-10	Arm, Idler			
56	532 19 90-92	Spacer, Retainer			

NOTE: All component dimensions given in U.S. inches
1 inch = 25.4 mm

**TRACTOR - MODEL NO. PB22H42YT (96048002900), PRODUCT NO. 960 48 00-29
MOWER LIFT**



lift-tex_17_r3

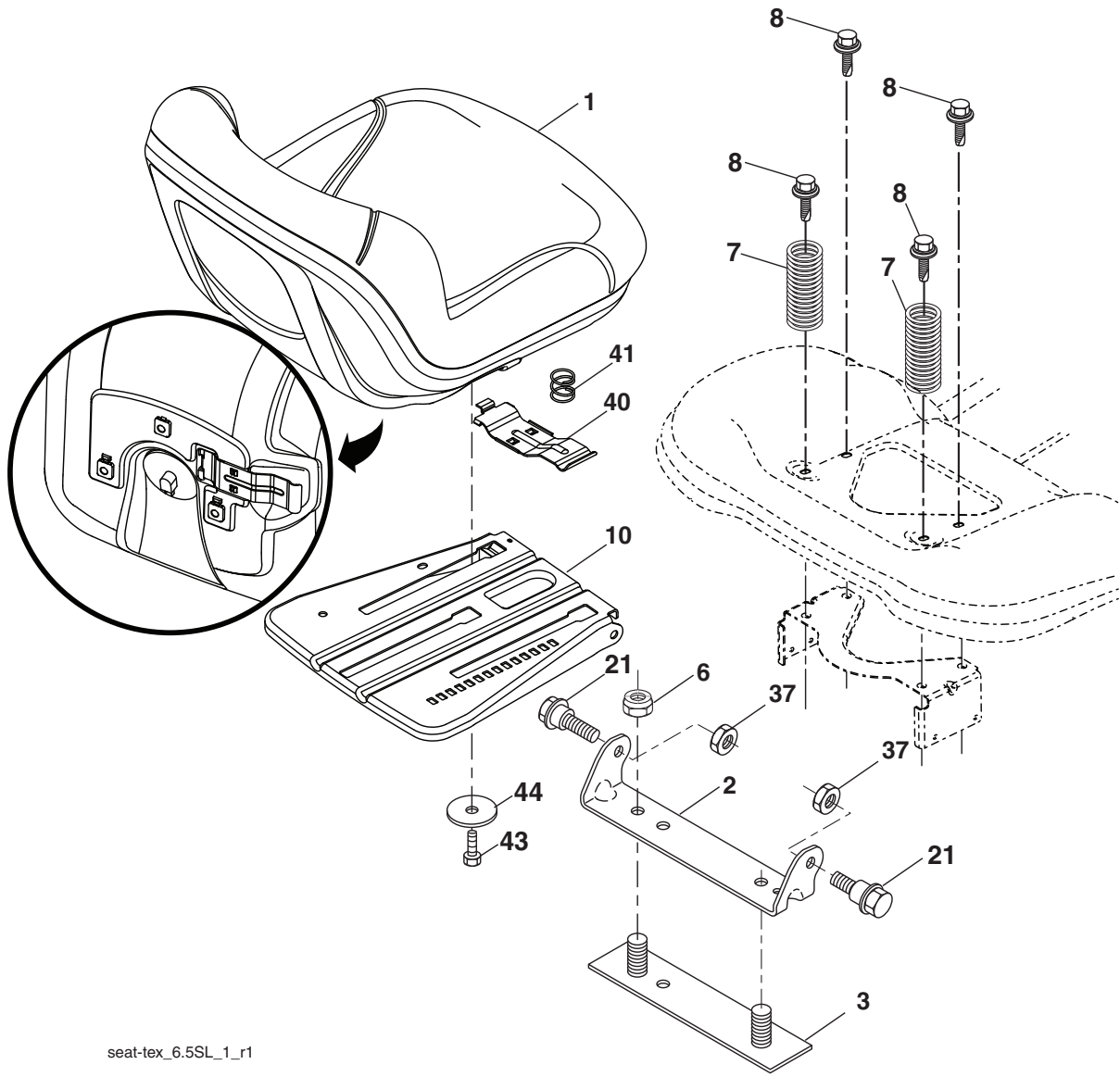
*Key 91 may be substituted for Key 101

KEY NO.	PART NO.	DESCRIPTION
2	532 42 20-27	Shaft Asm., Lift
3	532 19 52-31	Lever Asm., Lift RH
7	532 41 15-55	Grip, Lever
10	532 19 63-14	Spring Torsion
87	532 19 42-09	Pin Cotter 7/16 Bow Tie Lock
88	532 41 07-10	Spring Lift Assist
89	819 19 19-12	Washer Clear Zinc
90	532 19 42-08	Pin Cotter 5/16 Bow Tie Lock
91	532 19 51-81	Link Asm. Lift Rear

KEY NO.	PART NO.	DESCRIPTION
97	817 00 06-12	Screw 3/8-16x.75 Smgml Tap/R.Z
98	532 19 52-70	Link Lift Susp. Front Mower
100	873 93 06-00	Nut Centerlock 3/8-16 unc
101	532 40 70-03	Link Asm. Lift Fixed

NOTE: All component dimensions given in U.S. inches
1 inch = 25.4 mm

**TRACTOR - MODEL NO. PB22H42YT (96048002900), PRODUCT NO. 960 48 00-29
SEAT ASSEMBLY**



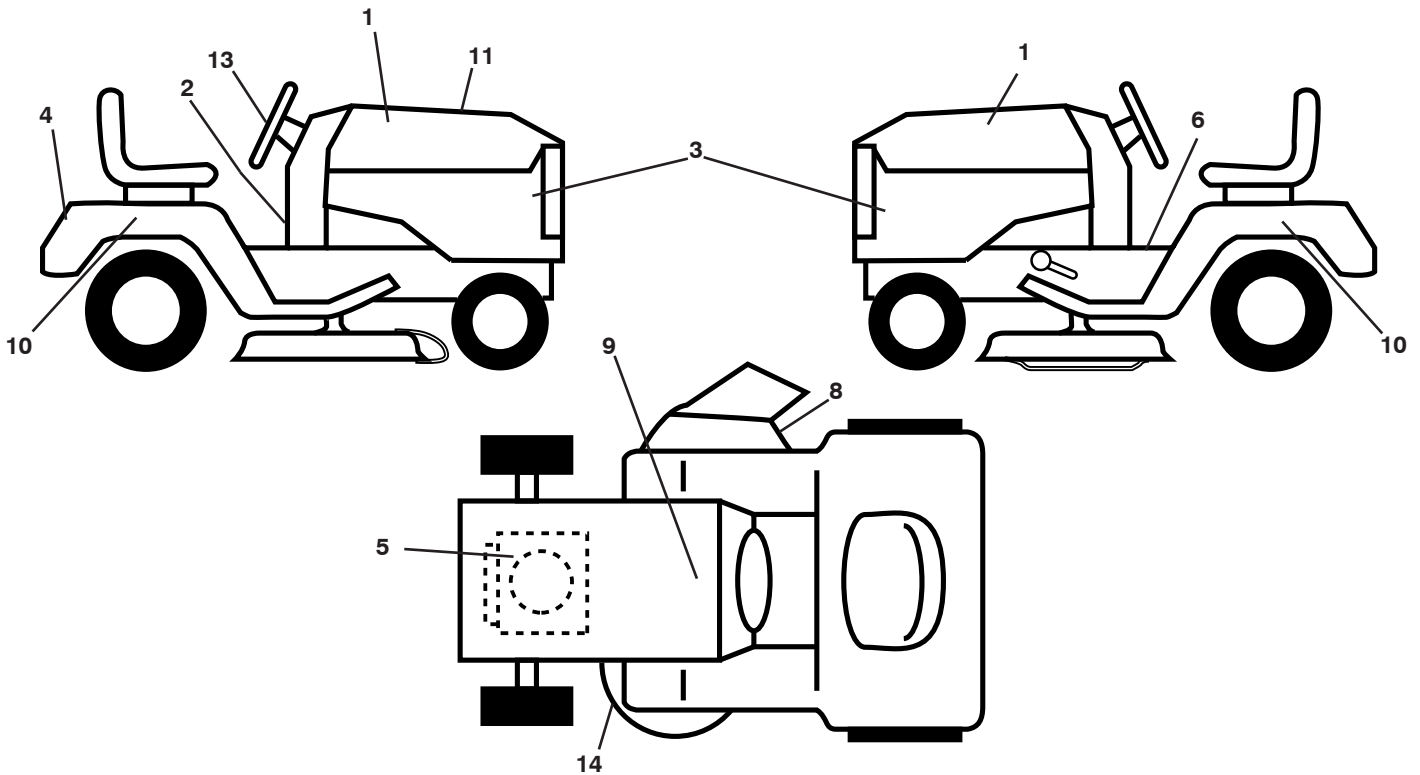
seat-tex_6.5SL_1_r1

KEY NO.	PART NO.	DESCRIPTION
1	532 40 66-23	Seat
2	532 18 01-66	Bracket Pivot Fender
3	532 14 06-75	Strap, Asm Fender
6	873 80 06-00	Nut, Lock w/Ins. 3/8-16 unc
7	532 12 41-81	Spring, Seat Cprsn
8	532 17 18-77	Bolt 5/16-18 unc x 3/4 w/Sems
10	532 19 69-77	Pan, Seat
21	532 17 18-52	Bolt, Shoulder 5/16-18
37	873 80 05-00	Nut, Lock 5/16-18 unc

KEY NO.	PART NO.	DESCRIPTION
40	532 19 76-61	Handle Slide Seat
41	532 19 82-00	Spring Latch Seat
43	874 76 06-12	Bolt Fin Hex 3/8-16 unc x 3/4
44	819 13 38-12	Washer 13/32 x 2-3/8 x 12 Ga.

NOTE: All component dimensions given in U.S. inches
1 inch = 25.4 mm

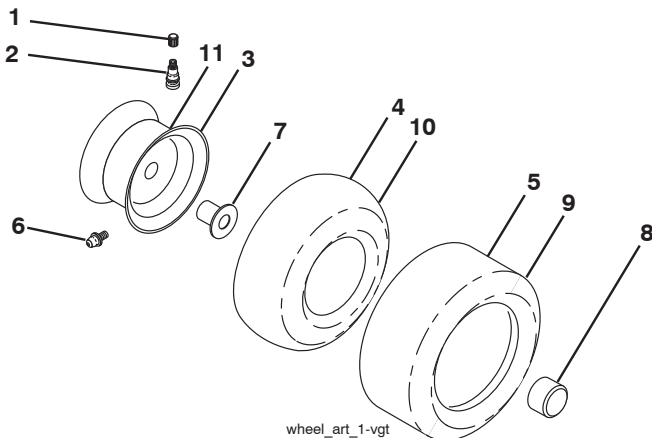
**TRACTOR - MODEL NO. PB22H42YT (96048002900), PRODUCT NO. 960 48 00-29
DECALS**



KEY PART NO.	PART NO.	DESCRIPTION
1	532 43 84-99	Decal, Hood RH/LH
2	532 43 52-86	Decal, Warn. Spark
3	532 44 69-75	Decal, Side Panel
4	532 43 85-02	Decal, Fender
5	532 42 95-56	Decal, Eng H.P.
6	532 41 16-58	Decal, Fender Operator's
8	532 17 05-63	Decal, Warning
9	532 14 50-05	Decal, Battery Dnge/Poi

KEY PART NO.	PART NO.	DESCRIPTION
10	532 43 84-92	Decal, Fender SD RH/LH
11	532 43 88-06	Decal, Replacement
13	532 43 85-01	Decal, Steering Wheel
14	532 16 03-96	Decal, Mower Schematic
--	532 16 69-60	Decal, Bypass
--	532 41 12-73	Pad, Footrest, RH
--	532 40 95-05	Pad, Footrest, LH
--	532 44 69-50	Manual, Operator's (English/ French)
--	532 44 69-52	Manual, Parts (English/French)

WHEELS AND TIRES



KEY PART NO.	PART NO.	DESCRIPTION
1	532 05 91-92	Cap, Valve, Tire
2	532 06 51-39	Stem, Valve
3	532 43 96-73	Rim Assembly, Front
4	532 05 99-04	Tube, Front
5	532 10 62-22	Tire, Front
6	532 12 49-57	Fitting, Grease
7	532 12 49-59	Bearing, Flange
8	532 17 50-39	Cap, Axle (Front Wheel Only)
9	532 42 05-31	Tire, Rear 18 x 9.5-8 Turf Saver
10	532 12 49-26	Tube, Rear
11	532 44 08-81	Rim Assembly, Rear
--	532 14 43-34	Sealant, Tire (10 oz. Tube)

NOTE: All component dimensions given in U.S. inches
1 inch = 25.4 mm

LIMITED WARRANTY

The Manufacturer warrants to the original consumer purchaser that this product as manufactured is free from defects in materials and workmanship. For a period of two (2) years from date of purchase by the original consumer purchaser, we will repair or replace, at our option, without charge for parts or labor incurred in replacing parts, any part which we find to be defective due to materials or workmanship. This Warranty is subject to the following limitations and exclusions.

1. This warranty does not apply to the engine, transaxle/transmission components, battery (except as noted below) or components parts thereof. Please refer to the applicable manufacturer's warranty on these items.
2. Transportation charges for the movement of any power equipment unit or attachment are the responsibility of the purchaser. Transportation charges for any parts submitted for replacement under this warranty must be paid by the purchaser unless such return is requested by the manufacturer.
3. Battery Warranty: On products equipped with a Battery, we will replace, without charge to you, any battery which we find to be defective in manufacture, during the first ninety (90) days of ownership. After ninety (90) days, we will exchange the Battery, charging you 1/12 of the price of a new Battery for each full month from the date of the original sale. Battery must be maintained in accordance with the instructions furnished.
4. The Warranty period for any products used for rental or commercial purposes is limited to 90 days from the date of original purchase.
5. This Warranty applies only to products which have been properly assembled, adjusted, operated, and maintained in accordance with the instructions furnished. This Warranty does not apply to any product which has been subjected to alteration, misuse, abuse, improper assembly or installation, delivery damage, or to normal wear of the product.
6. Exclusions: Excluded from this Warranty are belts, blades, blade adapters, normal wear, normal adjustments, standard hardware and normal maintenance.
7. In the event you have a claim under this Warranty, you must return the product to an authorized service dealer.

Should you have any unanswered questions concerning this Warranty, please contact:

HOP
Outdoor Products Customer Service Dept.
9335 Harris Corners Parkway
Charlotte, NC 28269 USA

In Canada contact:
HOP
5855 Terry Fox Way
Mississauga, Ontario
L5V 3E4

giving the model number, serial number and date of purchase of your product and the name and address of the authorized dealer from whom it was purchased.

THIS WARRANTY DOES NOT APPLY TO INCIDENTAL OR CONSEQUENTIAL DAMAGES AND ANY IMPLIED WARRANTIES ARE LIMITED TO THE SAME TIME PERIODS STATED HEREIN FOR OUR EXPRESSED WARRANTIES. Some areas do not allow the limitation of consequential damages or limitations of how long an implied Warranty may last, so the above limitations or exclusions may not apply to you. This Warranty gives you specific legal rights, and you may have other rights which vary from locale to locale.

This is a limited Warranty within the meaning of that term as defined in the Magnuson-Moss Act of 1975.

Poulan PRO

PARTS AND SERVICE

This product has been expertly engineered and carefully manufactured to rigid quality standards. As with all mechanical products, some adjustments or part replacement may be necessary during the life of your unit.

For Parts and service, contact our authorized distributor: call 1-800-849-1297

- For replacement parts, have available the following information:
 - a. Model Number/Manufacturer's I.D. Number
 - b. Description of part.

For Technical Assistance: call 1-800-829-5886

For a Parts Manual, go to our website: www.poulanpro.com

NOTE: HOP provides parts and service through its authorized distributors and dealers; therefore, all requests for parts and service should be directed to your local dealer(s). The philosophy of HOP is to continually improve all of its products. If the operating characteristics or the appearance of your product differs from those described in this Manual, please contact your local dealer for updated information and assistance.

Poulan PRO

L'ENTRETIEN ET LES PIÈCES DE RECHANGE

Ce produit, conçu avec les soins les plus attentifs, est fabriqué en accord avec des standards stricts. Comme pour tous les produits avec des parties mobiles, il peut être nécessaire pendant la durabilité de votre machine d'effectuer des ajustements ou le remplacement de certaines pièces .

Pour les pièces de rechange et l'entretien, contactez notre concessionnaire autorisé: appelez 1-800-849-1297

• Pour les pièces de rechange, ayez près de vous:

a. Numéro du modèle/Référence numéro du fabricant

b. Description de la pièce

Pour l'assistance technique: appelez 1-800-829-5886

Pour un manuel de pièces, allez à notre site web: www.poulanpro.com

N.B.: HOP assure la distribution des pièces de rechange et l'entretien de ses produits par l'intermédiaire des concessionnaires et des distributeurs agréés; par conséquent toute demande de pièces ou d'entretien doit être adressée directement au distributeur agréé le plus proche. La philosophie de HOP est d'améliorer en permanence la gamme complète de ses produits. Si les caractéristiques ou l'apparence de votre outil sont différentes de celles décrites dans ce Manuel, contactez S.V.P. votre concessionnaire pour les informations et l'assistance concernant les mises à jour.

GARANTIE LIMITÉE

Le Fabricant garantit à l'acheteur initial que son produit tel que manufacturé est libre de défaut de matière et d'ouvrage. Pendant deux (2) ans, à compter de la date d'achat de la part de l'acheteur initial, nous réparerons ou remplacerons à notre choix, gratuitement, toute pièce, sur laquelle nous estimerons qu'il existe un défaut de matière ou d'ouvrage. Cette garantie est soumise aux limitations et exceptions suivantes:

1. Cette garantie ne couvre pas le moteur, la transmission/composants, la batterie (sauf comme mentionnée ci-dessous) ou les pièces détachées. Veuillez-vous consulter la garantie applicable du fabricant des articles.
2. L'acheteur est responsable des frais de transport de tous les équipements actionnés par moteur ou les accessoires. L'acheteur est responsable des frais aussi du transport de toutes les pièces (couvertes par cette garantie) soumis pour le remplacement à moins que manufacturé demande à l'acheteur de renvoyer les pièces.
3. Garantie de la batterie: Pour les produits équipés d'une batterie, nous remplacerons, gratuitement, toute batterie estimée défectueuse pendant les quatre-vingt-dix (90) jours initiaux suivant l'achat. Après quatre-vingt-dix (90) jours, nous échangeons la batterie, le coût pour vous être 1/12 du prix d'une nouvelle batterie pour chaque mois complet à compter de la date d'achat initiale. La batterie doit être entretenue selon les directives données dans la documentation appropriée.
4. La période de garantie applicable aux produits proposés en location ou à des fins commerciales est limitée à quatre-vingt-dix (90) jours à compter de la date d'achat initiale.
5. Cette garantie ne s'applique qu'aux produits correctement montés, réglés, utilisés et entretenus conformément aux instructions données dans la documentation appropriée. Cette garantie ne s'applique pas aux produits qui ont été modifiés, utilisés incorrectement, abusés, mal installés ou avariés lors de la livraison ou usage normal.
6. Exclusions: Les courroies, les lames, les adaptateurs de lame, l'usage normal, les réglages normaux, la visserie standard, et l'entretien normal sont exclus de cette garantie.
7. En cas de problème entrant dans le cadre de cette garantie, veuillez-vous retourner votre machine à un concessionnaire autorisé.

Si vous auriez aucune question sans réponse concernant cette garantie, s'il vous plaît contactez:

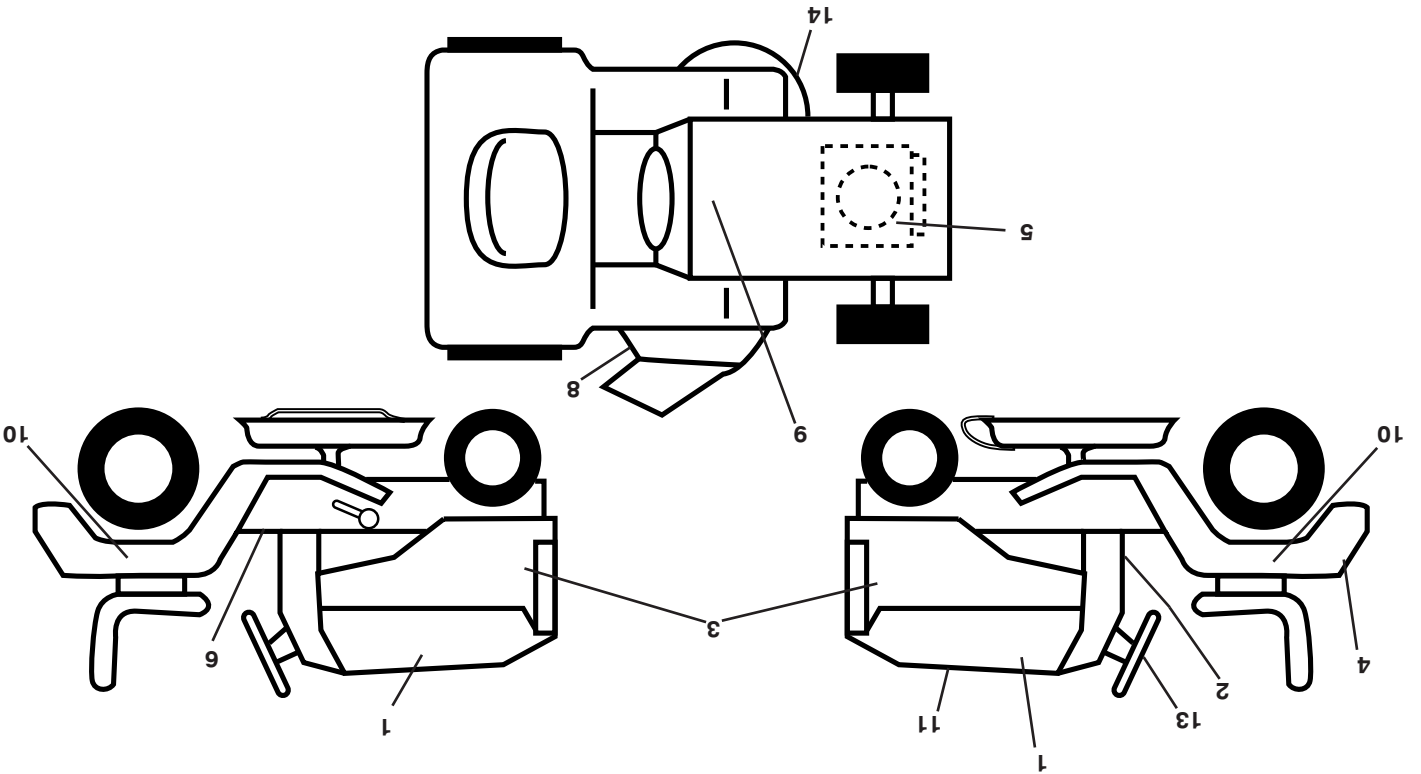
HOP
Outdoor Products Customer Service Dept.
9335 Harris Corners Parkway
Charlotte, NC 28269 USA

Au Canada:
HOP
5855 Terry Fox Way
Mississauga, Ontario
L5V 3E4

en nous donnant le numéro du modèle, le numéro de série, la date d'achat de votre machine ainsi que l'adresse du concessionnaire autorisé chez qui vous l'avez achetée.

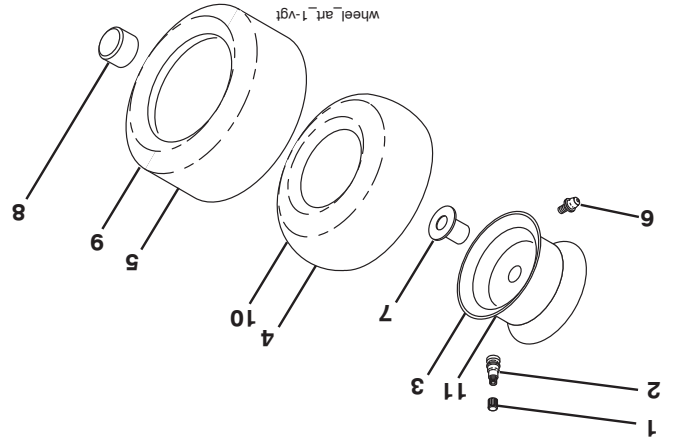
CETTE GARANTIE NE COUVRE AUCUN DOMMAGE INCIDENTEL OU CONSÉQUENT ET TOUTE GARANTIE IMPLICITE EST LIMITEE AUX MEMES PERIODES PRECISEES ICI POUR LES GARANTIES EXPLICITES DU FABRICANT. Certaines localités ne permettent aucune restriction des dommages consécutifs ou de la durée d'une garantie implicite et, par conséquent, il se pourrait que les restrictions et exclusions énoncées ci-dessus ne s'appliquent pas à vous. Cette garantie vous donne droits légaux spécifiques et vous pouvez aussi jouir d'autres droits d'un endroit à un autre.

Cette garantie est une garantie limitée comme définie dans la loi Magnuson-Moss Act de 1975.



NO. DE DÉ	REF. PIÈCE	DESCRIPTION	NO. DE DÉ	REF. PIÈCE	DESCRIPTION
1	532 43 84-99	Décalcomanie de capot C.G./C.D.	11	532 43 88-06	Décalcomanie de remplacement
2	532 43 52-86	Décalcomanie d'avertissement	13	532 43 85-01	Décalcomanie volant de direction
3	532 44 69-75	Décalcomanie du panneau de capot	14	532 16 03-96	Décalcomanie de la courroie rapézoïdale
4	532 43 85-02	Décalcomanie du aile	--	532 16 69-60	Décalcomanie de dérivation
5	532 42 95-56	Décalcomanie de moteur	--	532 41 12-73	Coussin d' repose-pied C.D.
6	532 41 16-58	Décalcomanie d'avertissement	--	532 40 95-05	Coussin d' repose-pied C.G.
8	532 17 05-63	Décalcomanie d'avertissement	--	532 44 69-50	Manuel de l'opérateur (Anglais/Français)
9	532 14 50-05	Décalcomanie du batterie/poison	--	532 44 69-52	Manuel des pièces (Anglais/Français)
10	532 43 84-92	Décalcomanie De L'aile	--		

ROUES & PNEUS

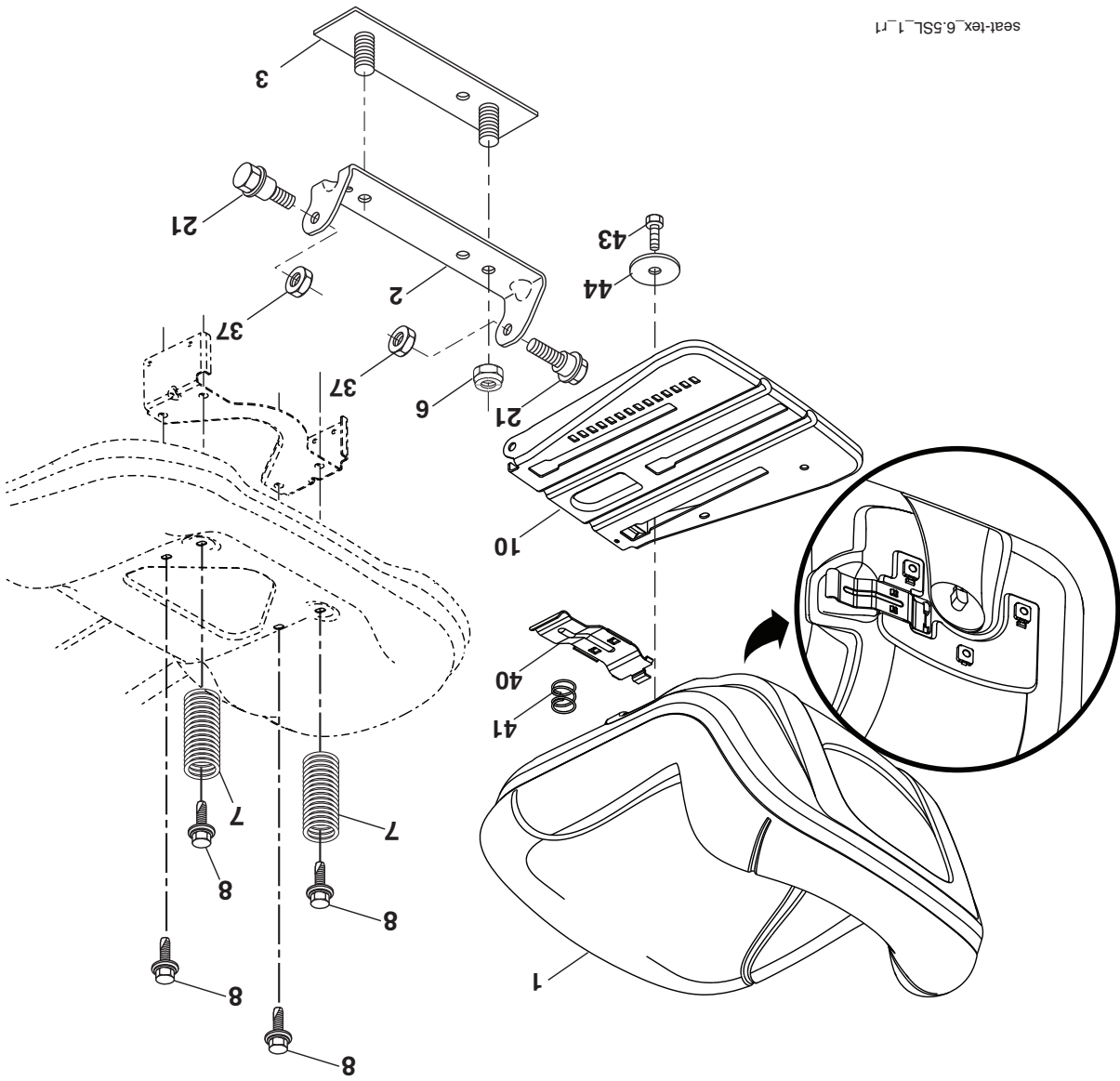


NO. DE DÉ	REF. PIÈCE	DESCRIPTION
1	532 05 91-92	Capuchon de la valve du pneu
2	532 06 51-39	Tubulure de la valve
3	532 43 96-73	Ensemble de la jante antérieure de
4	532 05 99-04	Chambre à air antérieure
5	532 10 62-22	Pneu antérieur
6	532 12 49-57	Graisser
7	532 12 49-59	Palier à bride
8	532 17 50-39	Chapeau D'essieu
9	532 42 05-31	Pneu arrière
10	532 12 49-26	Chambre à air arrière
11	532 44 08-81	Ensemble de la jante arrière
--	532 14 43-34	Joint d'étanchéité de pneu

REMARQUE: Toutes les dimensions de composant sont données en pouces E.-U. -- 1 pouce = 25,4 mm

TRACTEUR - NO. DE MODÈLE PB22H42YT (96048002900), NO. DE PRODUIT 960 48 00-29

ENSEMBLE DU SIÈGE



seat-tex_6.SSL_1_11

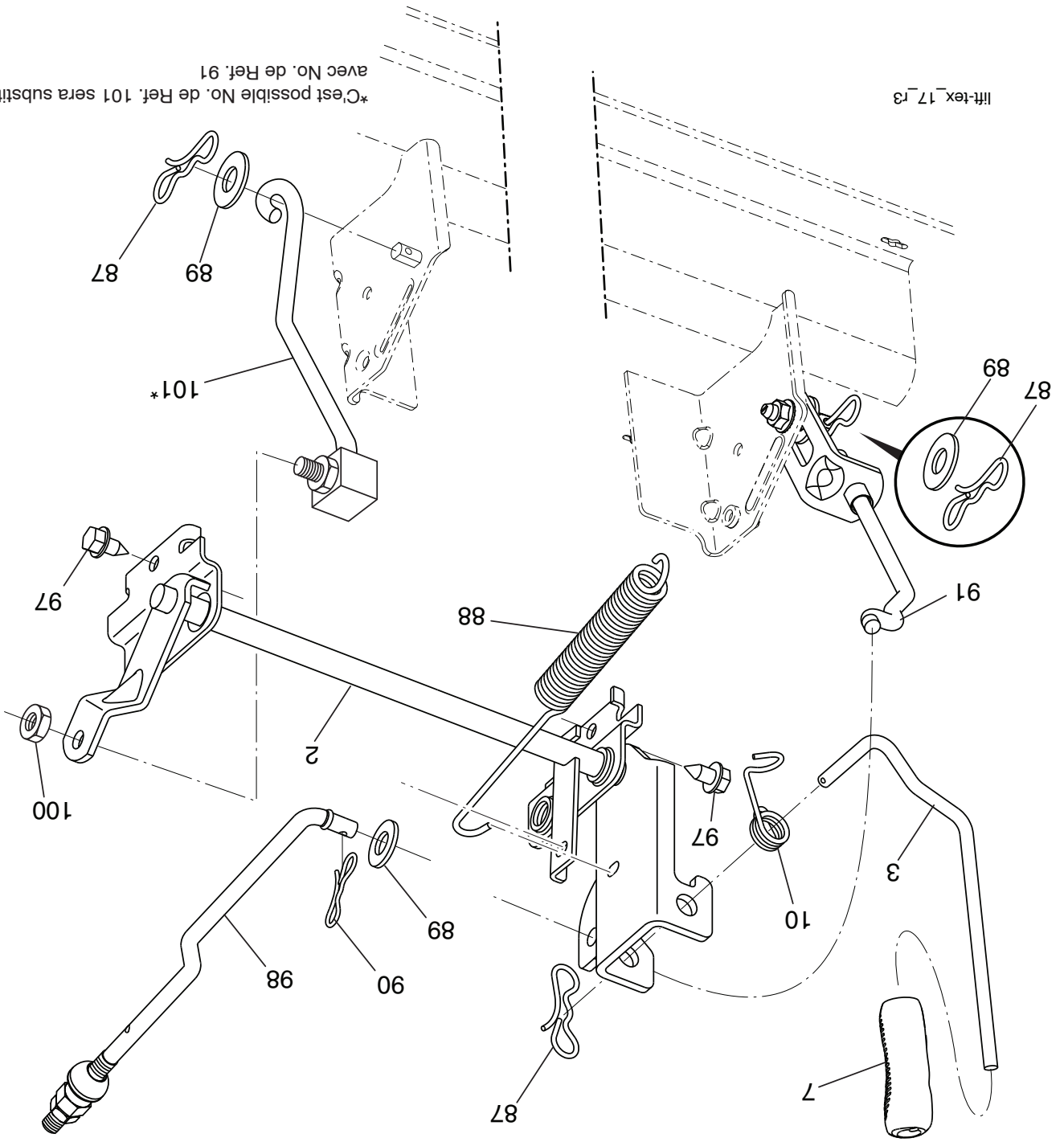
NO.	DE	PIÈCE	DESCRIPTION
37	873 80 05-00	Écrou frein avec insert 5/16-18	
40	532 19 76-61	Bouton de siège	
41	532 19 82-00	Ressort du siège	
43	874 76 06-12	Boulon 3/8-16 unc x 3/4	
44	819 13 38-12	Rondelle 13/32 x 2-3/8 x 12 Ja.	

REMARQUE: Toutes les dimensions de composant sont données en pouces E.-U. -- 1 pouce = 25,4 mm

NO.	DE	PIÈCE	DESCRIPTION
1	532 19 75-11	Siège	
2	532 18 01-66	Support de pivot	
3	532 14 06-75	Attache de l'ensemble de l'aile	
6	873 80 06-00	Écrou frein avec insert 3/8-16 unc	
7	532 12 41-81	Ressort de compression du siège	
8	532 17 18-77	Boulon 5/16-18 unc x 3/4 avec sems	
10	532 19 69-77	Cuvette du siège	
21	532 17 18-52	Boulon à épaulement 5/16-18 unc	

TRACTEUR - NO. DE MODÈLE PB22H42YT (96048002900), NO. DE PRODUIT 960 48 00-29

LEVAGE DE TONDEUSE



*C'est possible No. de Ref. 101 sera substitué avec No. de Ref. 91

liff-tex_17_13

NO.	DÉ	PIECE	DESCRIPTION
2	532 42 20-27	Arbre	
3	532 19 52-31	Ensemble de l'arbre de levage C.D.	
7	532 41 15-55	Poignée du levier	
10	532 19 63-14	Ressort de torsion	
87	532 19 42-09	Goupille fendue 7/16 frein	
88	532 41 07-10	Ressort	
89	819 19 19-12	Rondelle	
90	532 19 42-08	Goupille fendue 5/16 frein	

NO.	DÉ	PIECE	DESCRIPTION
91	532 19 51-81	Tige l'arrière de C.G. d'ascenseur	
97	817 00 06-12	Vis 3/8-16 x 3/4	
98	532 19 52-70	Tige de levage	
100	873 93 06-00	Ecrin 3/8-16 unc	
101	532 40 70-03	Tige de levage fixée	

REMARQUE: Toutes les dimensions de composant sont données en pouces E.-U. --1 pouce = 25,4 mm.

TRACTEUR - NO. DE MODÈLE PB22H42YT (96048002900), NO. DE PRODUIT 960 48 00-29

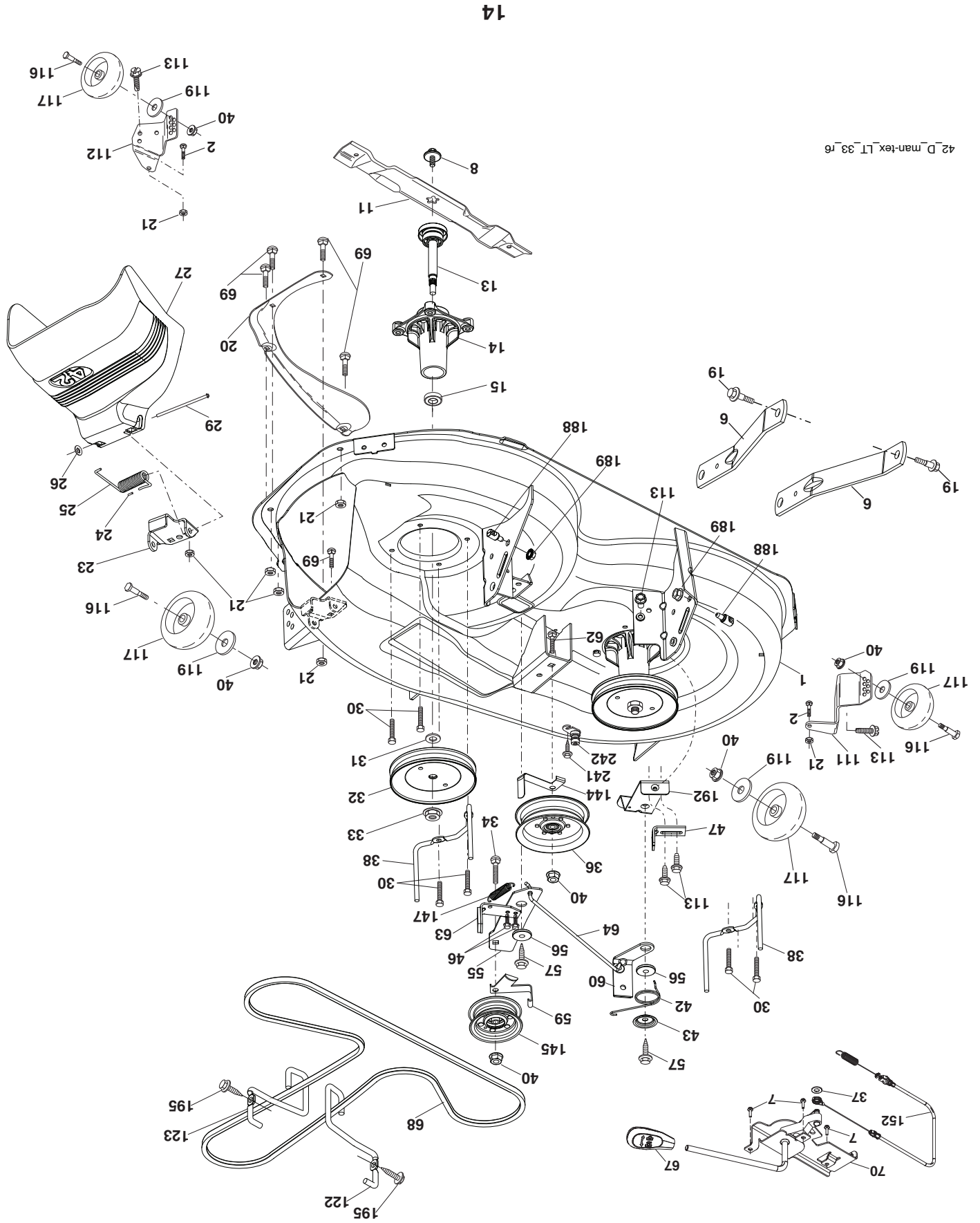
CARTER DE TONDEUSE

NO. DE PIÈCE	DESCRIPTION	NO. DE PIÈCE	DESCRIPTION
1	532 19 64-95	63	532 19 94-77
2	872 14 05-06	64	532 19 97-90
6	532 19 51-86	67	532 40 30-12
7	532 41 63-58	68	532 42 96-36
8	532 19 30-03	69	872 14 05-05
11	532 13 89-71	70	532 19 97-79
--	532 13 97-75	111	532 40 47-84
--	532 13 41-49	112	532 40 47-85
--	532 42 47-52	113	817 00 05-10
--	532 42 27-19	116	532 12 48-42
13	532 19 28-72	117	532 18 86-06
14	532 18 72-81	119	819 12 14-14
15	532 11 04-85	122	532 19 72-58
19	532 19 65-39	123	532 19 72-59
20	532 15 97-70		
21	873 68 05-00		
23	532 19 25-57		
24	532 10 53-04		
25	532 19 70-26		
26	532 11 04-52		
27	532 40 30-04		
29	532 13 14-91		
30	532 17 39-84		
31	532 18 76-90		
32	532 19 74-73		
33	532 40 02-34		
34	872 11 06-12		
36	532 19 73-79		
37	819 13 13-16		
38	532 43 25-20		
40	873 90 06-00		
42	532 19 84-10		
43	532 19 72-56		
46	532 13 77-29		
47	532 19 72-50		
55	532 43 71-10		
56	532 19 90-92		
57	817 00 06-16		
59	532 14 10-43		
60	532 19 72-61		
62	872 11 06-16		

REMARQUE: Toutes les dimensions de composant sont données en pouces E.-U. --1 pouce = 25,4 mm

TRACTEUR - NO. DE MODÈLE PB22H42YT (96048002900), NO. DE PRODUIT 960 48 00-29

CARTER DE TONDEUSE



42_D_man-tex_LT_93_r6

TRACTEUR - NO. DE MODÈLE PB22H42YT (96048002900), NO. DE PRODUIT 960 48 00-29

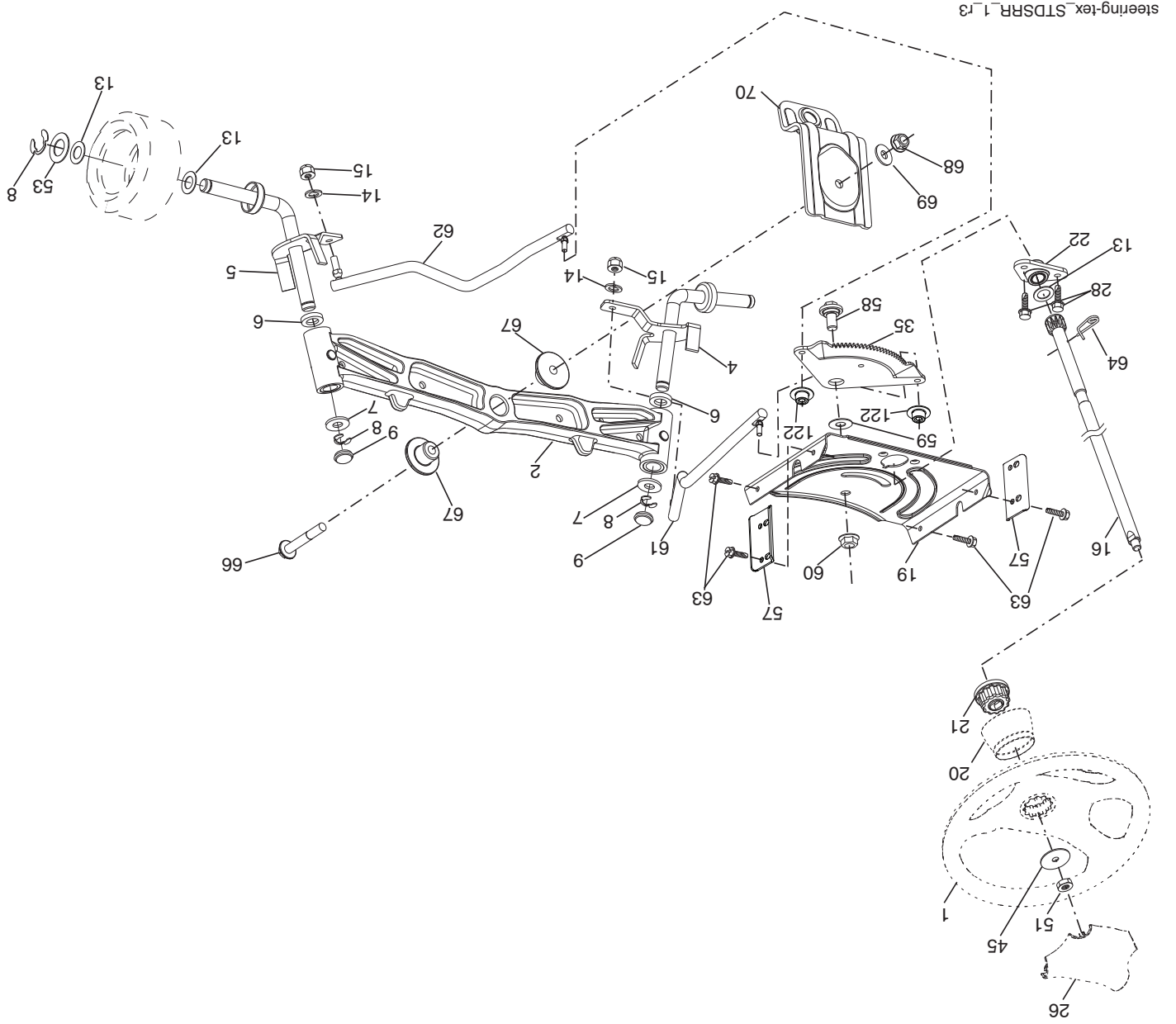
ENSEMBLE DE LA DIRECTION

NO.	DE	PIECE	DESCRIPTION
1		532 42 45-51	Volant de direction
2		532 19 59-68	Essieu
4		532 40 30-87	Ensemble de la broche C.G.
5		532 40 30-88	Ensemble de la broche C.D.
6		532 12 49-31	Palier de butée durci
7		532 12 17-48	Rondelle 25/32 x 1-5/8 x 16 Ja.
8		812 00 00-29	Rondelle clip n°15304-75
9		532 12 12-32	Chapeau de broche antérieur
13		532 12 17-49	Rondelle 25/32 x 1 1/4 x 16 Ja.
14		810 04 06-00	Rondelle frein hélicoïdale à ressort 3/8
15		873 54 06-00	Ecroû auto-serrant
16		532 40 82-19	Arbre de direction
19		532 19 47-29	Plaque
20		532 43 27-84	Manchon direction
21		532 18 67-37	Adaptateur
22		532 42 05-37	Support de direction
26		532 42 45-53	Insert de chapeau du volant de direction
28		817 00 06-12	Vis 3/8-16 x .75
35		532 19 47-32	Secteur denté
45		819 18 38-12	Rondelle 1 1/32 id x 2 3/8 od x 12 Ja.
51		873 94 08-00	Ecroû 1/2-20 unft
53		532 18 89-67	Rondelle .739 x 1.637 x 060
57		532 40 74-65	Support
58		532 19 47-47	Boulon à épaulement
59		532 19 47-48	Rondelle
60		873 97 10-00	Ecroû frein 5/8-11
61		532 19 47-40	Barre de direction C.G.
62		532 19 47-41	Barre de direction C.D.
63		817 00 05-12	Vis 5/16-18 x 3/4
64		532 19 98-49	Ressort de retenue
66		871 02 07-48	Boulon 7/16-14 x 3
67		532 19 47-37	Douille
68		873 90 07-00	Ecroû frein 7/16-14 cat. 5
69		532 19 91-62	Rondelle 1.5 x .505 x .118
70		532 19 61-97	Support
122		532 44 49-62	Chapeau

REMARQUE: Toutes les dimensions de composant sont données en pouces E.-U. --1 pouce = 25,4 mm

TRACTEUR - NO. DE MODÈLE PB22H42YT (96048002900), NO. DE PRODUIT 960 48 00-29

ENSEMBLE DE LA DIRECTION



NO. DE RÉF. PIÈCE
DESCRIPTION

NO. DE RÉF. PIÈCE	DESCRIPTION
1	Moteur Briggs-No. de Modèle 40777-1574-G5 (438753) (Commandez les pièces du fabricant du moteur.)
2	Silencieux
9	Guide-courroie du moteur
12	Pouille de moteur
15	Réservoir d'essence
18	Chapeau carburant
20	Commande des gaz/starter
21	Vis #10 x 0,750
28	Conduite d'essence
29	Jeu de pare - étincelles (écran plate)
37	Bride de serrage de tuyau
42	Rondelle frein 7/16
45	Ecrou 1/4-20 unc
62	Pare-chaleur
69	Joint
70	Échappement/tuyau C.G.
71	Échappement/tuyau C.D.
79	Vis 5/16-18 x .75
81	Tuyau d'huile
82	Soupape d'huile
84	Vis 3/8-16 x 1/4
85	Boulon 7/16-20 x 4 cat. 5
87	Boulon 5/16-18 unc x 1
90	Vis 3/8-16 x 1

REMARQUE: Toutes les dimensions de composant sont données en pouce d'E.-U. - - 1 pouce = 25,4 mm.

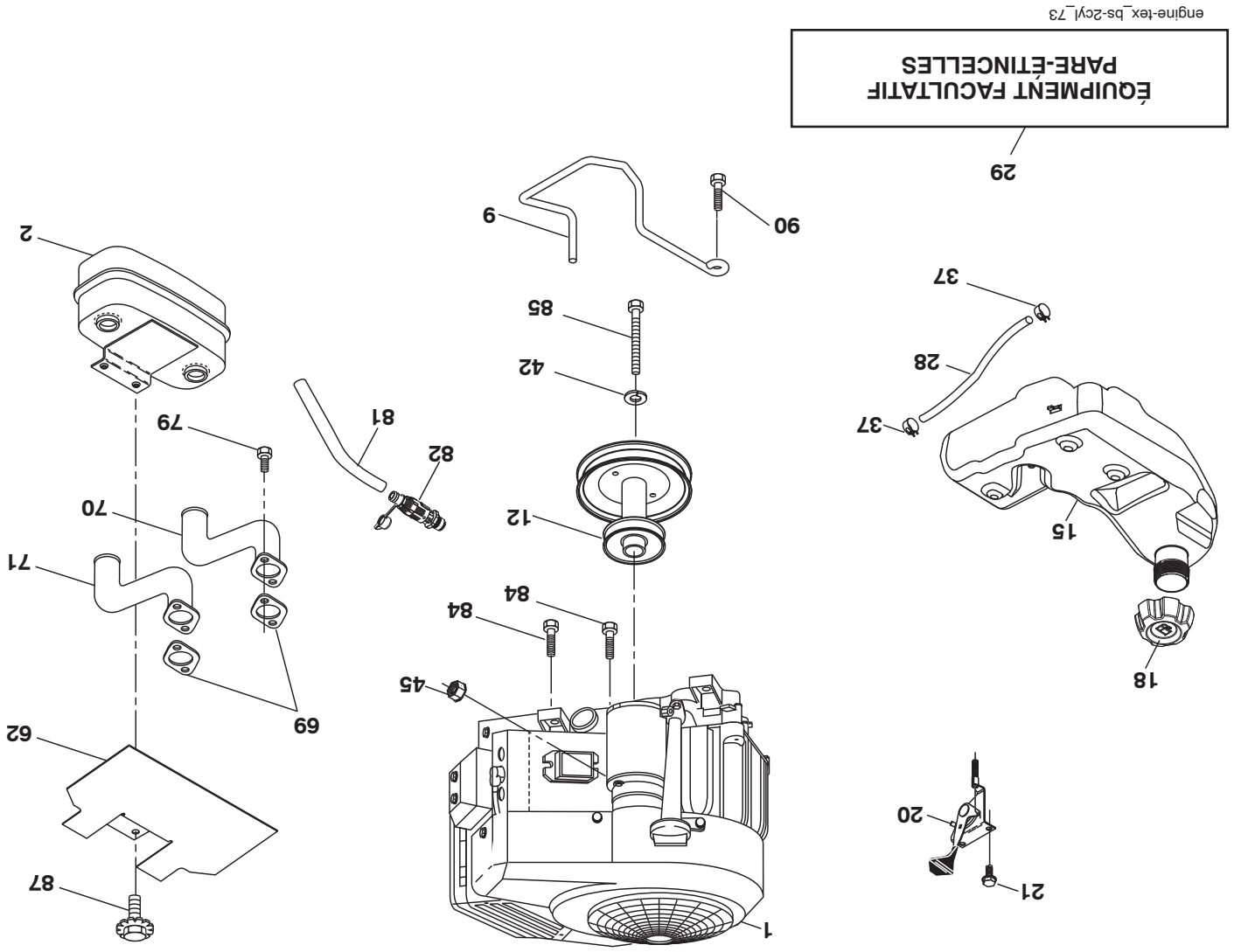
Pour des pièces de service et de rechange de moteur, réclamez le numéro de téléphone libre pour votre fabricant de moteur

énuméré ci-dessous:

Briggs & Stratton 1-800-233-3723

Informations concernant la puissance théorique du moteur

La puissance brute pour chaque Modèle de moteur à essence est indiquée conformément au code J1940 (procédure de calcul de la puissance et du couple des petits moteurs) de la SAE (Society of Automotive Engineers) et les performances théoriques ont été obtenues et corrigées selon SAE J1995 (révision 2002-05). Les valeurs de couple sont calculées sur la base de 3060tr/min et celles de puissance sur la base de 3600tr/min. La puissance brute réelle du moteur peut être plus faible notamment à cause des conditions de fonctionnement et des variations d'un moteur à l'autre. Compte tenu de la grande variété de machines sur lesquelles nos moteurs sont utilisés et du nombre de problèmes environnementaux applicables au fonctionnement des équipements, il se peut que le moteur à essence ne développe sa puissance théorique une fois qu'il est monté sur une machine particulière (puissance nette ou réelle « site»). Cette différence s'explique par un grand nombre de facteurs, tels que (liste non limitative): accessoires (filtre à air, échappement, admission, refroidissement, carburateur, pompe à essence, etc.), limites d'utilisation, conditions ambiantes d'utilisation (température, humidité, altitude) et variations d'un moteur à l'autre. Pour des raisons de fabrication et de capacité limitées, Briggs & Stratton est susceptible de remplacer ce Modèle par un moteur plus puissant.

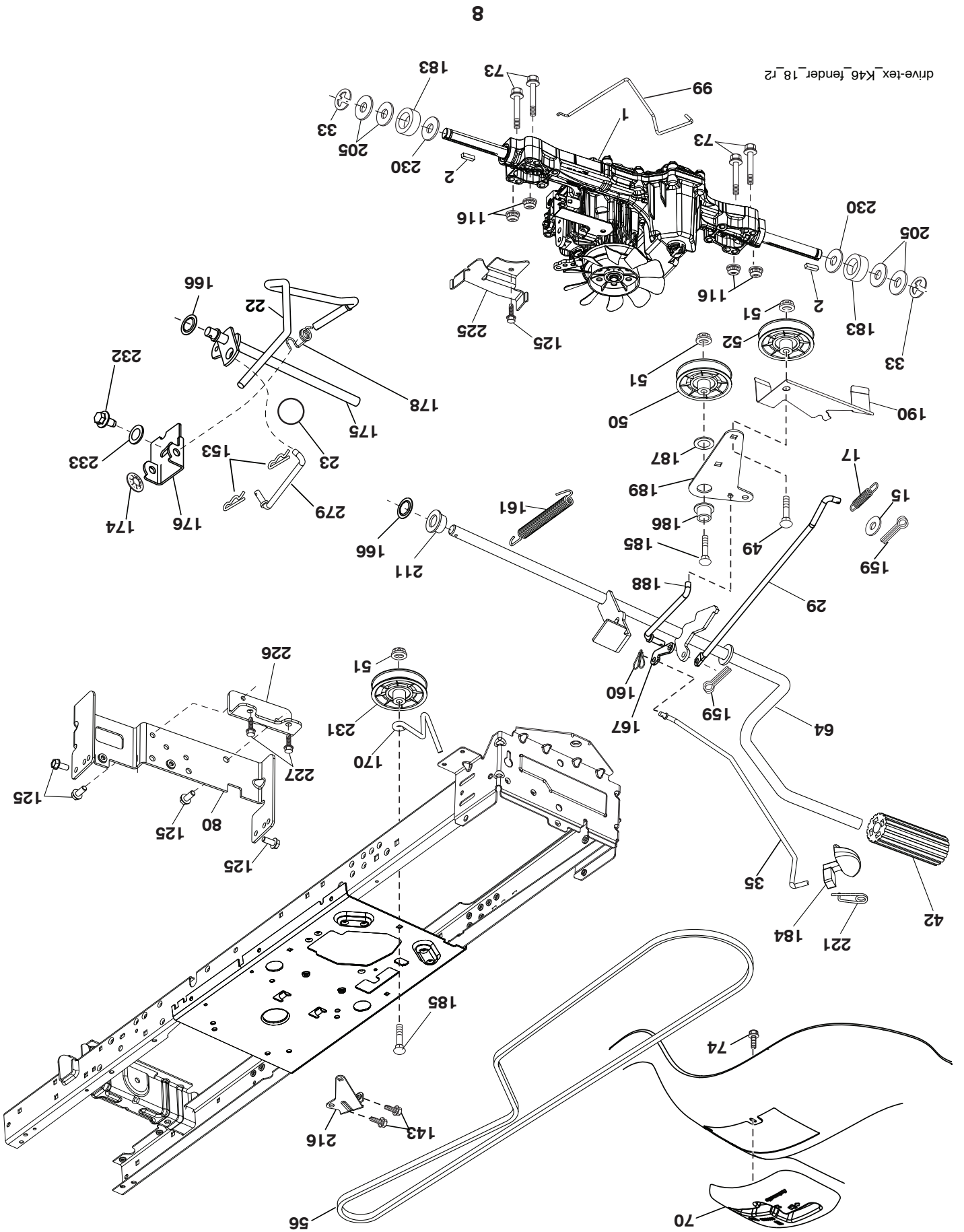


NO.	DE	REF.	DESCRIPTION
2			Carre cle Transmission.) (Commandez les pieces du fabricant du Transaxle, Tufftorq K46BA (408214)
15			Rondelle 13/32 x 13/16 x 16 Ja.
17			Ressort, le frein
22			Changement de tringle
23			Bouton
29			La tringle, le frein
33			L'anneau
35			Tringle, le frein, le parc
42			Couverture, payer la pedale
49			Boulon
50			La poulie de tension de poulie plate
51			Ecro 3/8-16
52			Poulie de tension
56			V-corroie, l'unité
64			Contrôle de frein de pedale d'assemblée d'arbre
70			Console
73			Boulon 5/16-18 cat. 5
74			Vis 1/4 x 1/2
80			Support
99			Ressort de tringle saute 22
116			Ecro 5/16-18
125			Vis 5/16-18 x 3/4
143			Vis 5/16-18 x 1/2
153			Ressort de retenue 1"
159			Epinglier goupille fendue 1/8 x 3/4
160			Pince de retenue
161			Ressort, le retour, l'embrayage
166			Poussee d'écrou .625
167			Frein du stationnement
170			Guide-Courroie De l'ecartement centrale
174			Poussee d'écrou
175			Le changement de ensemble d'arbre
176			Armer le changement de tringle de clevis
178			Bondir le changement
183			Axe plus spatial
184			Contrôler le frein a main
185			Boulon
186			Plus spatial de retenue
187			Rondelle
188			Tige l'unité de sol d'embrayage
189			L'unité de sol de bellcrank
190			L'unité de sol de bellcrank de gardien
205			Rondelle 25/32 x 1-5/8 x 16 Ja.
211			Douille
216			Support
221			Ressort de retenue
225			Support
226			Support
227			Vis 5/16-18 x 3/4
230			Rondelle .793 x 1.637 x 060
231			Galet-Tendeur
232			Boulon 7/16-14 x 1cat. 5
233			Rondelle
279			Raccord le changement

REMARQUE: Toutes les dimensions de composant sont données en pouces E.-U. -- 1 pouce = 25,4 mm

TRACTEUR - NO. DE MODÈLE PB22H42YT (96048002900), NO. DE PRODUIT 960 48 00-29

ENTRAÎNEMENT



drive-tex_K46_fender_18_r2

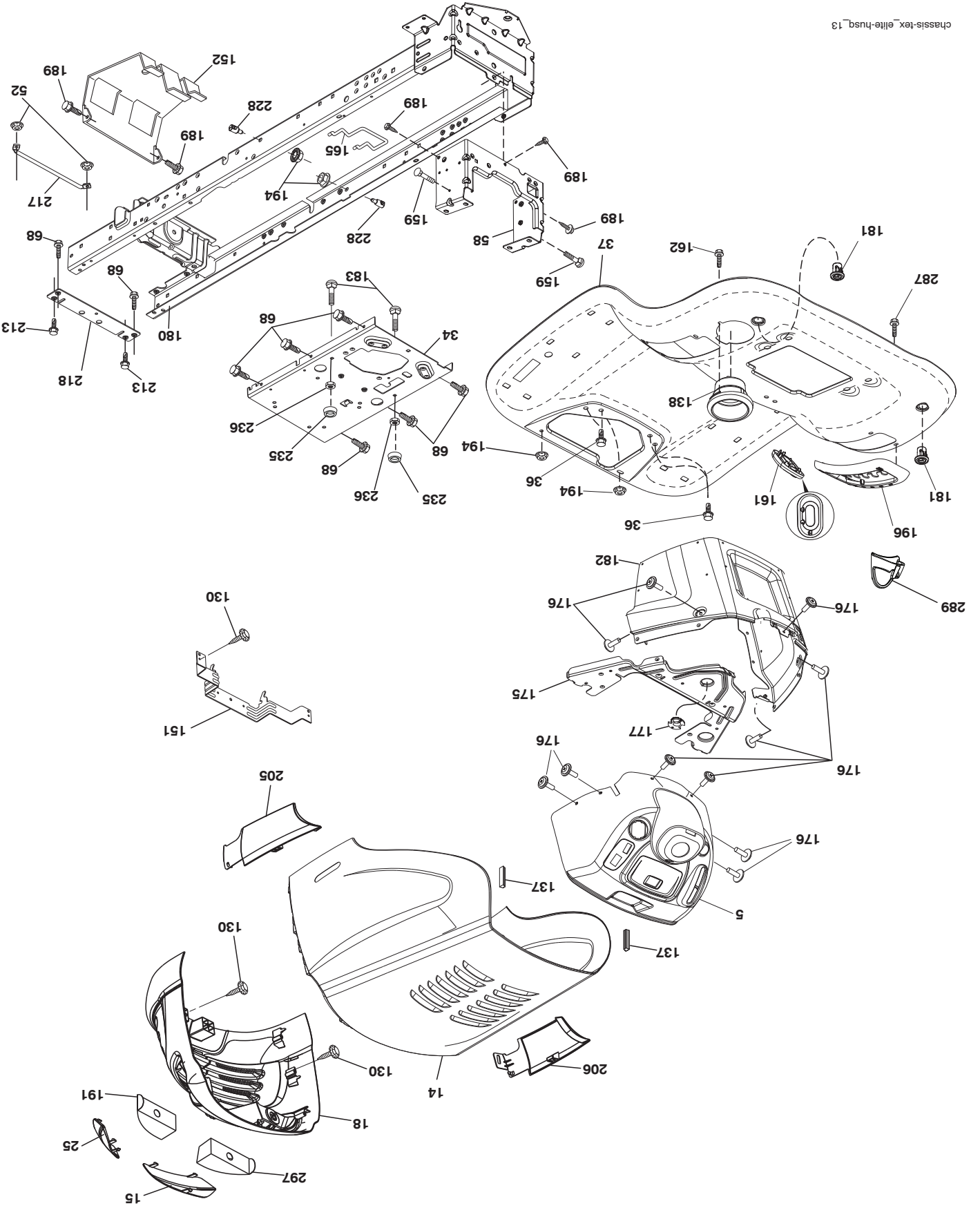
NO.
DE
PIÈCE

DESCRIPTION

5	532 44 68-34	Tableau de bord
14	532 43 27-74	Capot
15	532 18 99-82	Lentille C.G.
18	532 43 27-78	Calandre
25	532 18 99-81	Lentille C.D.
34	532 44 72-53	Plaquier le moteur
36	817 06 05-12	Vis 5/16-18 x 3/4
37	532 44 15-92	Aile
52	873 68 05-00	Ecroû 5/16-18
58	532 41 22-80	Barre D'attelage
68	817 49 05-08	Vis
130	532 41 63-58	Vis #10 x 0.750
137	532 18 49-21	Cousin capot
138	532 40 97-30	Tenante de tasse
151	532 40 78-07	Support
152	532 19 95-35	Déflecteur
159	817 00 06-12	Vis 3/8-16 x 3/4
161	532 41 20-72	Fenêtre De Carburant
162	532 14 24-32	Vis
165	532 19 68-26	Support
175	532 19 32-43	Croix plate
176	532 40 07-76	Vis 10-24 x 5/8
177	532 19 52-27	Douille
180	532 41 50-63	Chassis
181	532 40 47-96	Douille
182	532 19 30-57	Intérieur du tableau de bord
183	874 52 05-20	Boulon 5/16-18 unc x 1-1/4
189	817 00 05-12	Vis 5/16-18 x 3/4
191	532 41 65-00	Insert C.D.
194	873 90 05-00	Ecroû 5/16-18
196	532 41 45-79	Panneau
205	532 42 47-47	Jupe C.D.
206	532 42 47-48	Jupe C.G.
213	874 76 05-12	Boulon 5/16-18 x 3/4
217	532 40 91-67	Tige
218	532 19 63-95	Support
228	532 19 51-61	Cloûter le fermoir
235	532 40 61-29	Pare-chocs plus spatial
236	873 93 05-00	Ecroû 5/16-18 unc
287	817 60 04-06	Vis 1/4-20 x 3/8
289	532 43 27-81	Bouchon
297	532 18 82-67	Insert C.G.

REMARQUE: Toutes les dimensions de composant sont données en pouces E.-U. -- 1 pouce = 25,4 mm

TRACTEUR - NO. DE MODÈLE PB22H42YT (96048002900), NO. DE PRODUIT 960 48 00-29
CHÂSSIS/ENCEINTES



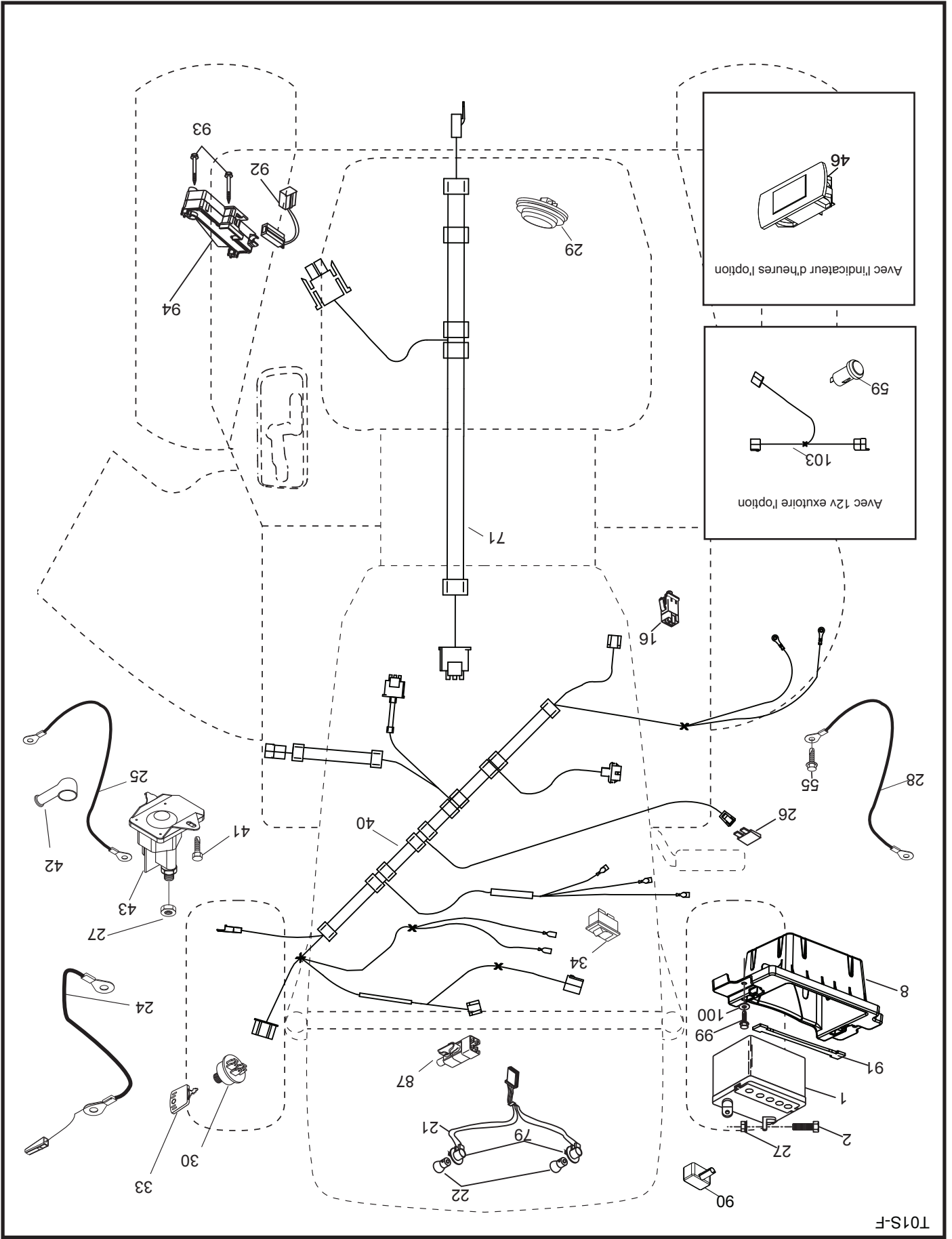
NO.	DÉ	REF.	PIECE	DESCRIPTION
1		532 16 34-65	Batterie	
2		874 76 04-12	Boulon 1/4-20 unc x 3/4	
8		532 18 64-91	Bac de batterie	
16		532 17 61-38	Interrupteur de verrouillage pressé	
21		532 18 37-59	Harnais des prises de courant des phares avec 4 [52]	
22		532 00 41-52	Ampoule n°1 56	
24		532 40 02-53	Câble de batterie	
25		532 41 28-94	Câble de batterie	
26		532 17 51-58	Fusible	
27		873 51 04-00	Écrou 1/4-20 unc	
28		532 14 54-91	Câble de masse	
29		532 40 15-45	Interrupteur	
30		532 19 33-50	Contacteur d'allumage	
33		532 41 19-35	Clé/Chaîne	
34		532 11 07-12	L'Interrupteur des phares	
40		532 40 10-98	Harnais ign. châssis	
41		817 72 04-08	Vis 1/4-20 x 1/2	
42		532 13 15-63	Couverture de borne	
43		532 19 25-07	Solénoïde	
55		817 06 05-12	Vis 5/16-18 x 1/2 tytt	
71		532 19 42-76	Harnais des câbles d'allumage	
79		532 17 52-42	Prise de courant du phare	
87		532 19 78-02	Interrupteur	
90		532 43 53-95	Couverture la pile délimitante	
91		532 19 02-70	Support	
92		532 19 66-15	Harnais	
93		532 19 25-40	Vis 10-14 x 20	
94		532 19 18-34	Inverse module ros	
99		817 67 04-12	Vis 1/4-20 x 3/4	
100		819 09 14-16	Rondelle 9/32 x 7/8 x 16 Ja.	

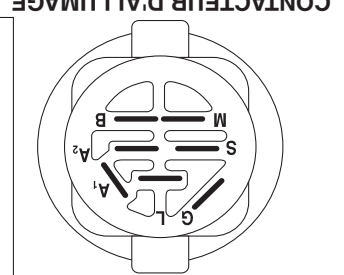
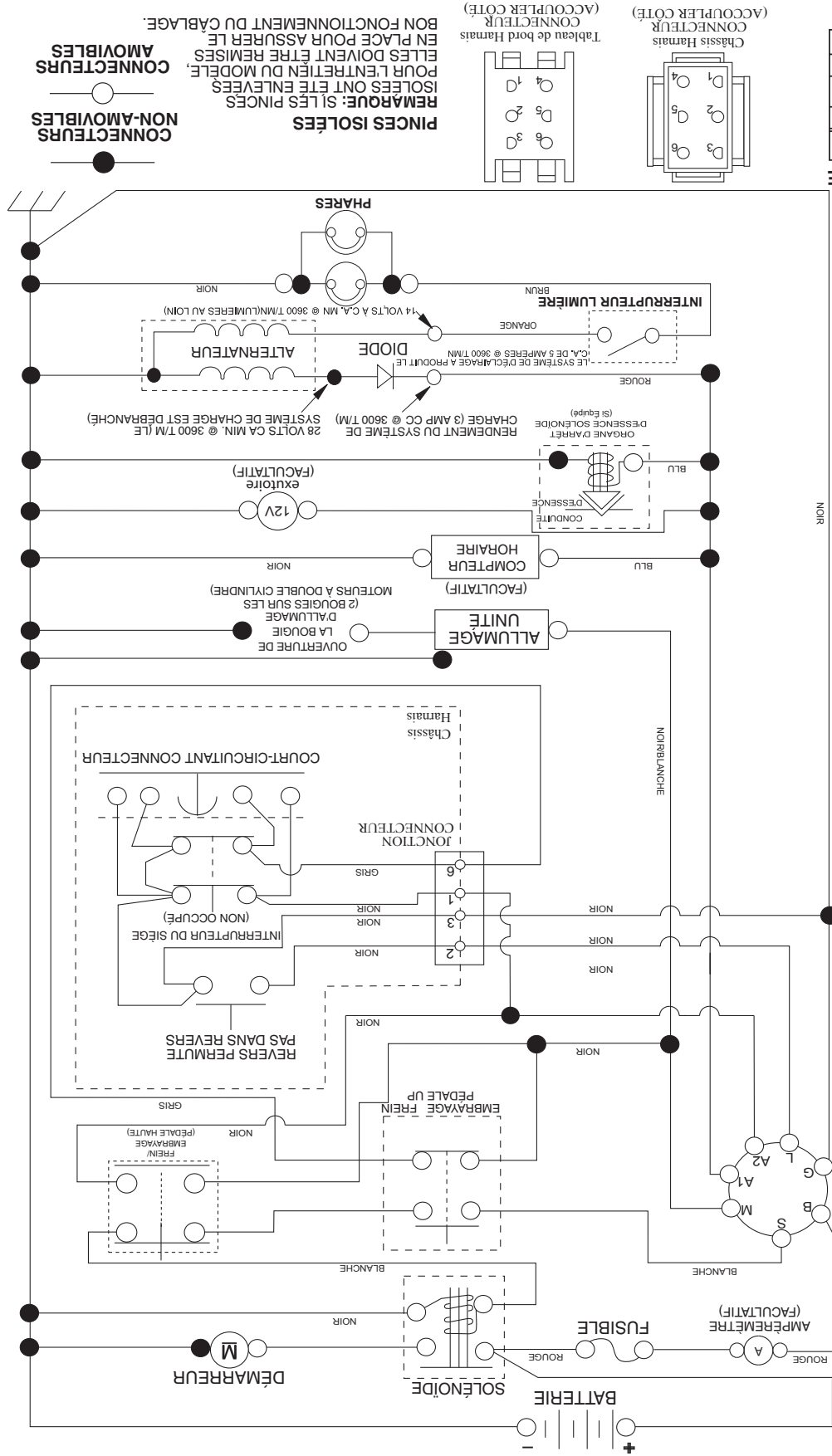
REMARQUE: Toutes les dimensions de composant sont données en pouces E.-U. --1 pouce = 25,4 mm

TRACTEUR - NO. DE MODÈLE PB22H42YT (96048002900), NO. DE PRODUIT 960 48 00-29

ÉLECTRIQUE

T01S-F





REMARQUE
 VOTRE TRACTEUR EST ÉQUIPÉ D'UN SYSTÈME D'ALTERNATEUR SPÉCIAL AU LIEU D'ÊTRE BRANCHÉS SUR LA BATTERIE, LES PHARES DISPOSENT DE LEUR PROPRE SOURCE D'ÉNERGIE ÉLECTRIQUE, DONC LA BRILLANCE DES PHARES CHANGERA EN FONCTION DE LA VITESSE DU MOTEUR. AU RALENTI, LA BRILLANCE DES PHARES BAISSERA; QUAND LE MOTEUR EST ACCÉLÉRÉ, LA BRILLANCE ATTEINDRA SON MAXIMUM.

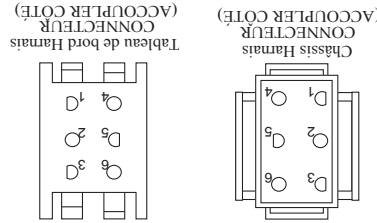
POSITION	CIRCUIT "FAITS"
ARRÊT	M + G + A1
MARCHE/ ALLUMAGE	B + A1
MARCHE	B + A1
DÉMARRAGE	B + S + A1

CONTACTEUR D'ALLUMAGE

PINCES ISOLÉES
 REMARQUE: SI LES PINCES ISOLÉES ONT ÉTÉ ENLEVÉES POUR L'ENTRÉTIEN DU MODÈLE, ELLES DOIVENT ÊTRE REMISES EN PLACE POUR ASSURER LE BON FONCTIONNEMENT DU CÂBLAGE.

CONNECTEURS AMOVIBLES

CONNECTEURS NON-AMOVIBLES



COMMENT UTILISER CE MANUEL

Ce manuel a été dessiné pour fournir le client avec les moyens d'identification des pièces de détachées du tracteur quand il/elle a besoin de commander les pièces de rechange. Les illustrations ne peuvent pas représenter exactement le modèle que vous avez acheté. N'utilisez pas ce manuel comme un guide dans le montage et/ou démontage de votre tracteur. La visserie montrée est plus grande pour faciliter l'identification.

Chaque tracteur a un numéro de modèle particulier.

Le numéro de modèle du produit se trouvera sur l'aile, dessous le siège.

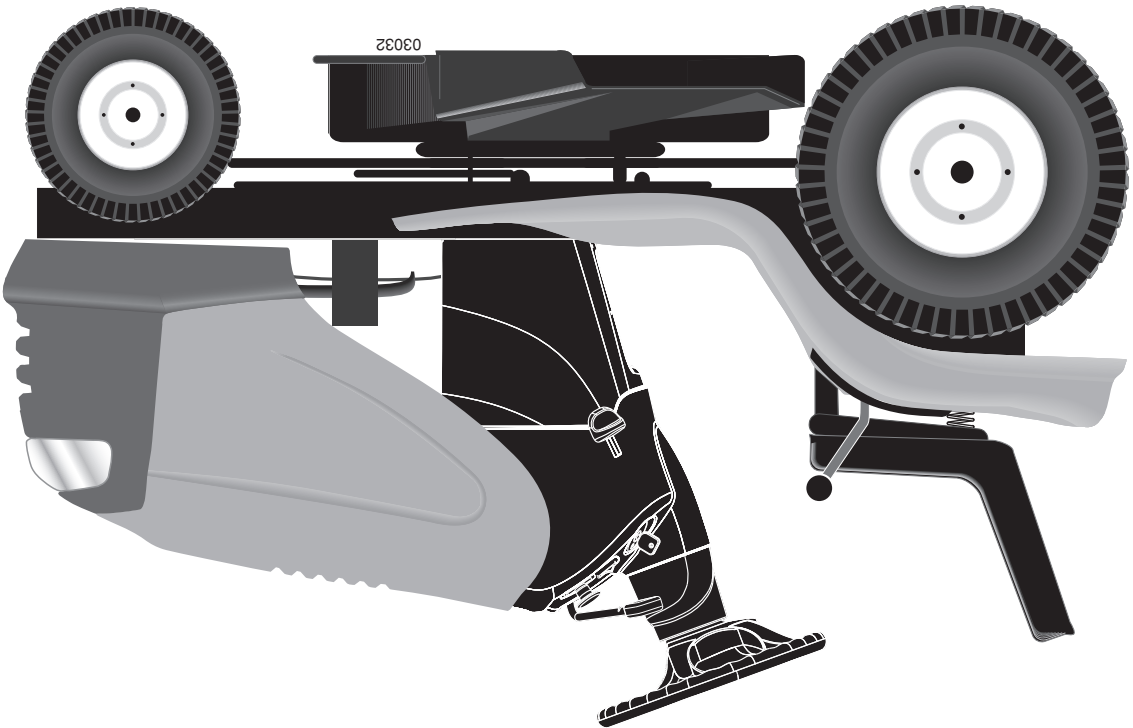
Lorsque vous commandez des pièces de rechange, donnez toujours les renseignements suivants:

- Produit - "TRACTEUR"
- NUMÉRO DU MODÈLE - "PB22H42YT (96048002900)"
- Numéro de la Pièce
- Description de la Pièce

TABLE DE MATIERES

SCHEMA.....	3
ELECTRIQUE.....	4-5
CHASSIS/ENCEINTES.....	6-7
ENTRAÎNEMENT.....	8-9
MOTEUR.....	10-11
ENSEMBLE DE LA DIRECTION.....	12-13
CARTER DE TONDEUSE.....	14-15
LEVAGE DE LA TONDEUSE.....	16
ENSEMBLE DU SIÈGE.....	17
DECALCOMANIES.....	18
GARANTIE.....	20

Poulan PRO



MANUEL DES PIÈCES DE RECHANGE

MODÈLE:

PB22H42YT

TRACTEUR DE PELOUSE

PORTEZ TOUJOURS DES LUNETTES DE SÉCURITÉ LORS DE L'UTILISATION.

Visitez notre site web: www.poulanpro.com

Lisez soigneusement le Manuel suivez tous les Avertissements et les Instructions de Sécurité. Les blessures sérieuses peuvent en résulter si vous ne lisez pas ces Avertissements et Instructions de Sécurité.

AVERTISSEMENT: