

# Poulan PRO

## PARTS AND SERVICE

This product has been expertly engineered and carefully manufactured to rigid quality standards. As with all mechanical products, some adjustments or part replacement may be necessary during the life of your unit.

For Parts and service, contact our authorized distributor: call 1-800-849-1297

- For replacement parts, have available the following information:
  - a. Model Number/Manufacturer's I.D. Number
  - b. Description of part.

For Technical Assistance: call 1-800-829-5886

For a Parts Manual, go to our website: [www.poulanpro.com](http://www.poulanpro.com)

**NOTE:** HOP provides parts and service through its authorized distributors and dealers; therefore, all requests for parts and service should be directed to your local dealer(s). The philosophy of HOP is to continually improve all of its products. If the operating characteristics or the appearance of your product differs from those described in this Manual, please contact your local dealer for updated information and assistance.

## Repair Part's Manual 30" RIDING MOWER SIDE DISCHARGE ELECTRIC START

# Poulan PRO



Catalog No.  
**PB30**

**IMPORTANT:**  
Read and follow all Safety  
Rules and Instructions before  
operating this equipment.

Patents Pending

**HOW TO USE THIS MANUAL**

This manual is designed to provide the customer with a means to identify the parts on his/her tractor when ordering repair parts. The illustrations may or may not represent the actual assemblies; therefore, it is not recommended to use this manual as a guide to assemble or disassemble the tractor. Some hardware and parts are drawn larger in order to more readily identify them.

Each tractor has its own model number.

The model number for your tractor can be found on the fender under the seat.

When ordering parts, always give the following information:

- Product - "TRACTOR"
- MODEL NUMBER - "**PB30** (96028000300)"
- Part Number
- Part Description

**TABLE OF CONTENTS**

SCHEMATIC..... 3  
 ELECTRICAL..... 4-5  
 CHASSIS..... 6-7  
 DRIVE..... 8-9  
 STEERING..... 10-11  
 MOWER DECK..... 12-13  
 DECAL..... 14

**COMMENT UTILISER CE MANUEL**

Ce manuel a été dessiné pour fournir le client avec les moyens d'identification des pièces de détachées du tracteur quand il/elle a besoin de commander les pièces de rechange. Les illustrations ne peuvent pas représenter exactement le modèle que vous avez acheté. N'utilisez pas ce manuel comme un guide dans le montage et/ou démontage de votre tracteur. La visserie montrée est plus grande pour faciliter l'identification.

Chaque tracteur a un numéro de modèle particulier.

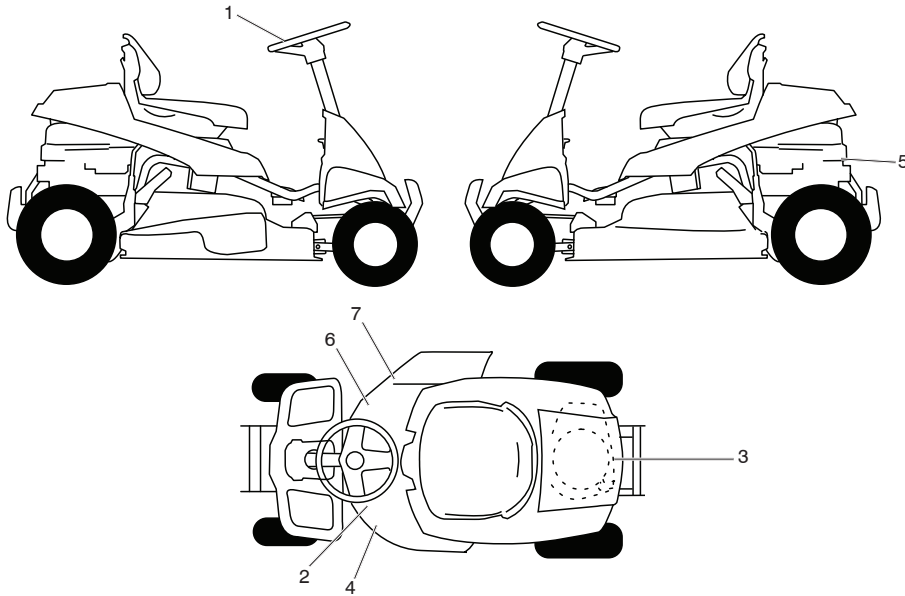
Le numéro de modèle du produit se trouvera sur l'aile, dessous le siège.

Lorsque vous commandez des pièces de rechange, donnez toujours les renseignements suivants:

- Produit - "Tracteur"
- NUMÉRO DU MODÈLE - "**PB30** (96028000300)"
- Numéro de la Pièce
- Description de la Pièce

**TABLE DE MATIERES**

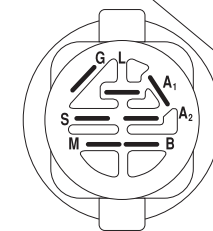
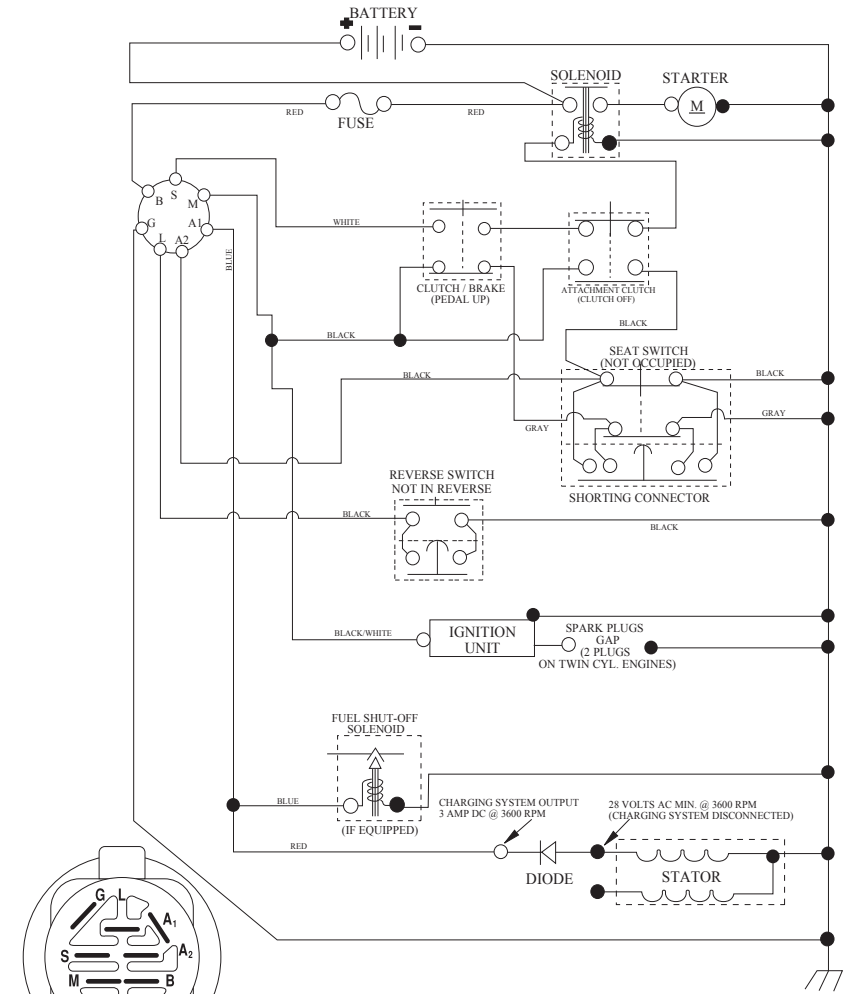
SCHÉMA..... 15  
 ELECTRIQUE..... 16-17  
 CHÂSSIS/ENCEINTES..... 18-19  
 ENTRAÎNEMENT..... 20-21  
 ENSEMBLE DE LA DIRECTION..... 22-23  
 PLATEAU DE COUPE..... 24-25  
 DECALCOMANIES ..... 26



| NO. DE RÉF. | NO DE PIÈCE  | DESCRIPTION                                 |
|-------------|--------------|---|
| 1           | 532 43 85-01 | DÉCALCOMANIE DU VOLANT DE DIRECTION         |
| 2           | 532 44 14-97 | DÉCALCOMANIE DE LA COURROIE TRAPÉZOÏDALE    |
| 3           | 532 43 52-86 | DÉCALCOMANIE AVERTISSEMENT                  |
| 4           | 532 44 14-15 | DÉCALCOMANIE CARTER DE TONDEUSE/ DÉFLECTEUR |
| 5           | 532 40 88-07 | DÉCALCOMANIE MOTEUR H.P.                    |
| 6           | 532 17 05-63 | DÉCALCOMANIE AVERTISSEMENT                  |
| 7           | 532 42 51-12 | DÉCALCOMANIE AVERTISSEMENT                  |
| --          | 532 44 82-33 | MANUEL DE L'OPÉRATEUR, ANGLAIS/FRANÇAIS     |
| --          | 532 44 82-34 | MANUEL DES PIÈCES, ANGLAIS/FRANÇAIS         |

REMARQUE : Toutes les dimensions des composants sont en pouce US 1 pouce = 25,4 mm

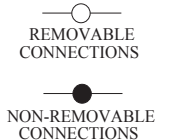
SCH24



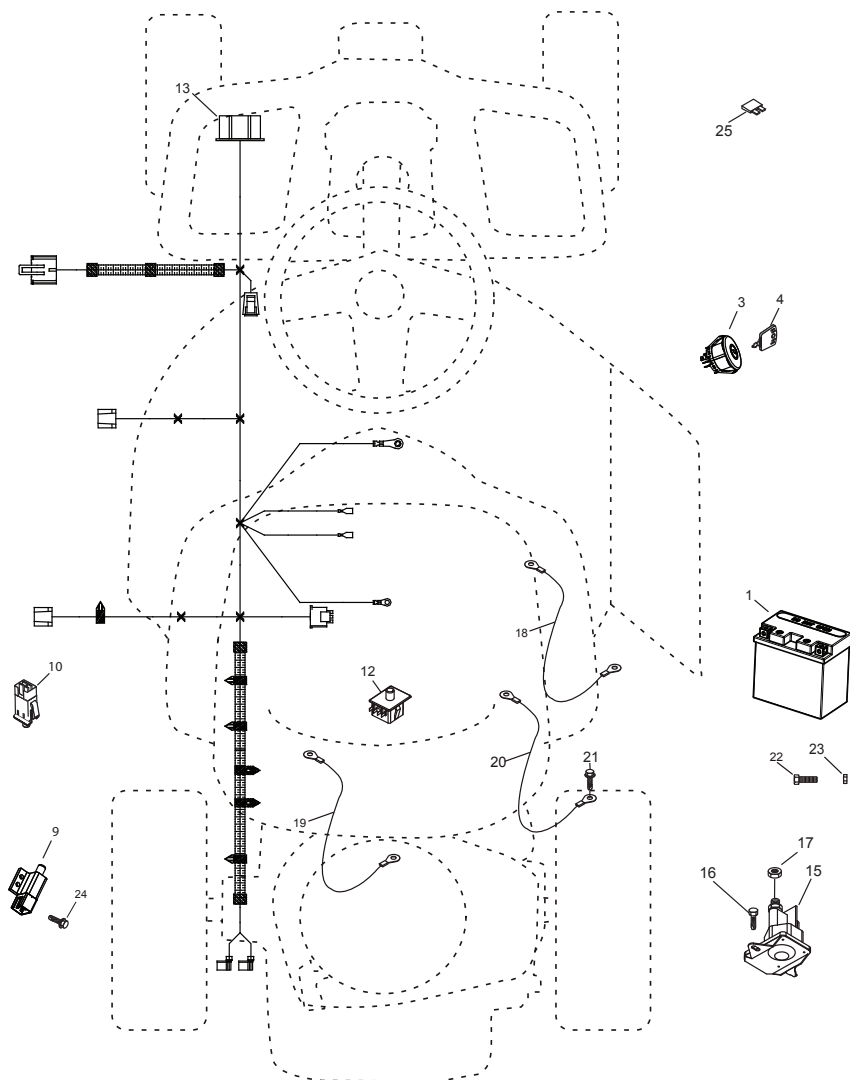
IGNITION SWITCH

| POSITION     | CIRCUIT "MAKE" |
|--------------|----------------|
| OFF          | M+G+A1         |
| RUN/OVERRIDE | B+A1           |
| RUN          | B+A1 L+A2      |
| START        | B + S + A1     |

WIRING INSULATED CLIPS  
NOTE: IF WIRING INSULATED CLIPS WERE REMOVED FOR SERVICING OF UNIT, THEY SHOULD BE RE-INSTALLED TO PROPERLY SECURE YOUR WIRING.

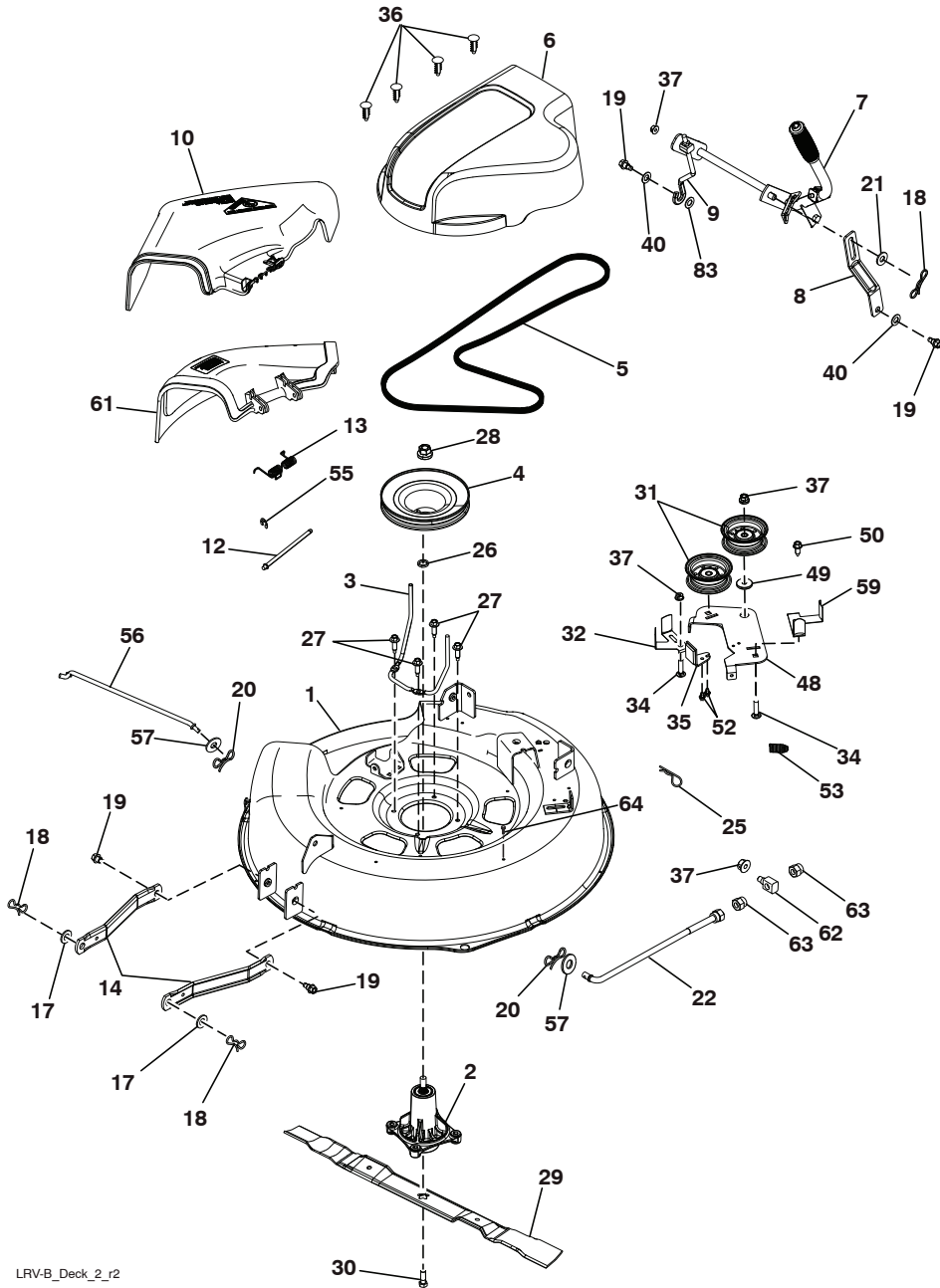


LRV2



| NO. DE RÉF. | NO DE PIÈCE  | DESCRIPTION                          |
|-------------|--------------|--------------------------------------|
| 1           | 532 43 68-48 | TONDEUSE                             |
| 2           | 532 19 28-70 | ENSEMBLE DE MANDRIN                  |
| 3           | 532 43 68-56 | GARDE DU COURROIE                    |
| 4           | 532 43 68-55 | POULIE DU MANDRIN                    |
| 5           | 532 44 15-97 | COURROIE                             |
| 6           | 532 43 68-63 | COUVERTURE DE MANDRIN                |
| 7           | 532 43 67-34 | ENSEMBLE DE LEVAGE                   |
| 8           | 532 42 91-95 | VARILLAGE DE LEVANTAMIENTO TENDEUR   |
| 9           | 532 42 93-97 | VARILLAGE DE LEVANTAMIENTO AJUSTÁVEL |
| 10          | 532 43 96-38 | DÉFLECTEUR                           |
| 12          | 532 43 66-47 | EPINGLE                              |
| 13          | 532 43 74-62 | RESSORT                              |
| 14          | 532 19 51-85 | TIGE DE SUPPORT DU TONDEUSE          |
| 17          | 819 19 19-12 | RONDELLE                             |
| 18          | 532 19 42-09 | EPINGE                               |
| 19          | 532 19 65-39 | BOULON                               |
| 20          | 532 19 42-08 | EPINGE SERRURE 5/16                  |
| 21          | 819 17 19-12 | RONDELLE 17/32 X 1-3/16 X 12         |
| 22          | 532 44 15-98 | TIGE DE TONDEUSE                     |
| 25          | 532 12 47-88 | RESSORT DE RETENUE 1"                |
| 26          | 532 18 76-90 | ENTRETOISE DU MANDRIN                |
| 27          | 532 17 39-84 | BOULON                               |
| 28          | 532 40 02-34 | ÉCROU                                |
| 29          | 532 41 92-73 | LAME                                 |
| 30          | 532 19 30-03 | BOULON                               |
| 31          | 532 19 31-97 | POULIE DU GALET-TENDEUR              |
| 32          | 532 14 10-43 | GARDE DE POULIE DU GALET-TENDEUR     |
| 34          | 872 11 06-12 | BOULON, 3/8-16 X 1 1/2               |
| 35          | 532 19 94-70 | BRA DU FREIN                         |
| 36          | 532 13 77-29 | VIS 1/4-20 X 5/8                     |
| 37          | 873 90 06-00 | ÉCROU 3/8-16                         |
| 40          | 819 17 16-16 | RONDELLE, 16 JA.                     |
| 48          | 532 43 68-57 | BRA D'EMBRAYAGE                      |
| 49          | 532 19 90-92 | ENTRETOISE                           |
| 50          | 817 00 06-16 | VIS 3/8-16 X 1                       |
| 52          | 817 60 04-06 | VIS 1/4-20 X 3/8                     |
| 53          | 532 40 18-72 | RESSORT DE RETENUE                   |
| 55          | 532 43 79-88 | ANNEAU DE "E" 5/16                   |
| 56          | 532 43 68-62 | BARRE DE NON MOUVEMENT               |
| 57          | 819 13 13-12 | RONDELLE 13/32 X 13/16 X 12 JA.      |
| 59          | 532 43 68-58 | GARDE DE POULIE DU GALET-TENDEUR     |
| 61          | 532 43 79-47 | ENSEMBLE DE COUVERTURE DE BROYEUSE   |
| 62          | 532 17 62-05 | TOURILLON                            |
| 63          | 532 17 59-94 | ÉCROU 7/16-20                        |
| 64          | 817 67 06-08 | VIS 3/8-16 X 1/2                     |
| 83          | 819 12 14-14 | WASHER 3/8 X 7/8 X 14 JA.            |

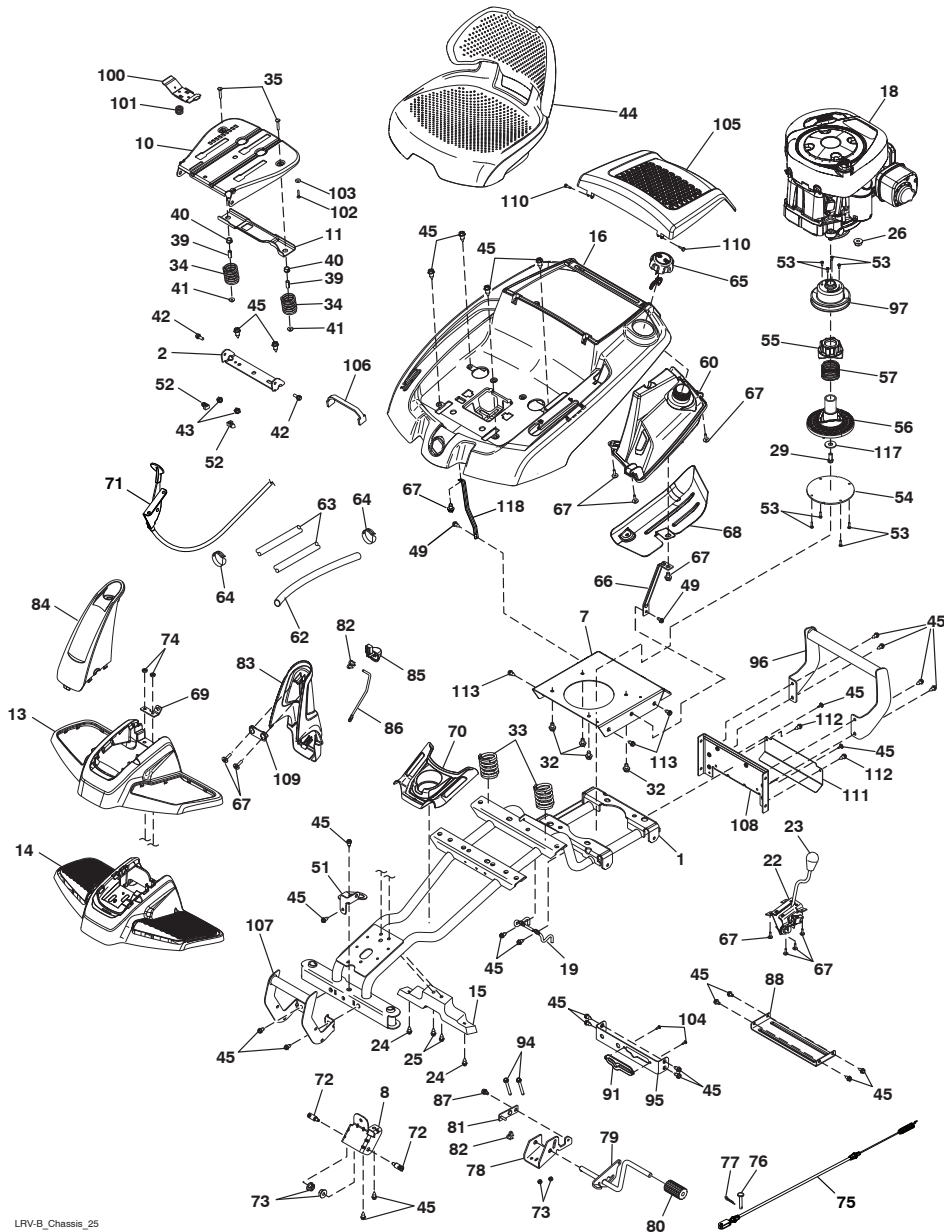
REMARQUE : Toutes les dimensions des composants sont en pouce US 1 pouce = 25,4 mm



KEY PART  
NO. NO.

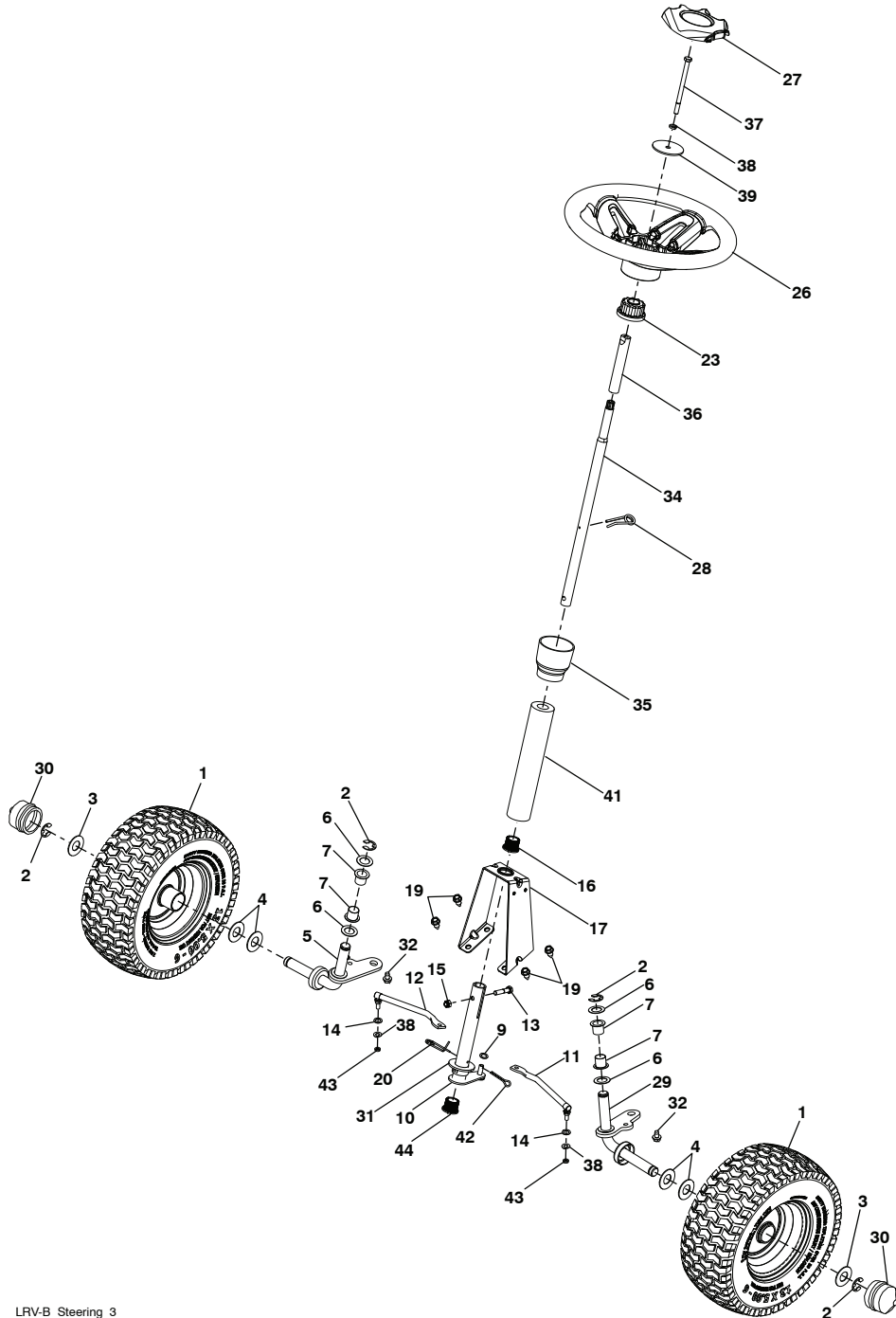
| KEY PART NO. | PART NO.     | DESCRIPTION                     |
|--------------|--------------|---------------------------------|
| 1            | 532 43 65-51 | BATTERY                         |
| 3            | 532 19 33-50 | SWITCH, IGN, DLTA, P-IN, ROS    |
| 4            | 532 41 19-33 | KEY/CHAIN                       |
| 9            | 532 10 95-53 | SWITCH, INTLTK,CL, MWR, GRY     |
| 10           | 532 17 61-38 | SWITCH, INTERLOCK, NONC,GRAY    |
| 12           | 532 19 27-49 | SWITCH, SEAT, DP, ROS           |
| 13           | 532 43 72-28 | HARNES, IGN, ELECTSTART, LRV    |
| 15           | 532 19 25-07 | SOLENOID                        |
| 16           | 817 72 04-08 | SCREW THD CUT 1/4-20 X 1/2 TY23 |
| 17           | 873 51 04-00 | NUT KEPS HEX 1/4-20 UNC         |
| 18           | 532 41 66-94 | CABLE BATTERY                   |
| 19           | 532 42 12-99 | CABLE STARTER                   |
| 20           | 532 42 12-98 | CABLE GROUND                    |
| 21           | 817 06 05-12 | SCREW 5/16-18 X 3/4             |
| 22           | 532 44 21-48 | SCREW HEX M5X0.8.9MM            |
| 23           | 532 43 81-22 | NUT M5                          |
| 24           | 818 10 10-12 | SCREW TORX #10-14 X .750        |
| 25           | 532 44 16-22 | FUSE, 10                        |

NOTE: All component dimensions given in U.S. inches  
1 inch = 25.4 mm



| NO. DE RÉF. | NO DE PIÈCE  | DESCRIPTION                       |
|-------------|--------------|-----------------------------------|
| 1           | 532 44 20-64 | TUYAU DE ROUE                     |
| 2           | 812 00 00-01 | PINCE "E"                         |
| 3           | 532 18 89-67 | RONDELLE                          |
| 4           | 532 12 17-49 | RONDELLE, 1/4 X 3/4               |
| 5           | 532 43 61-81 | SPINDLE, C.G.                     |
| 6           | 532 12 49-31 | RONDELLE                          |
| 7           | 532 12 49-37 | DOUILLE                           |
| 9           | 819 13 14-14 | RONDELLE                          |
| 10          | 532 42 80-57 | SUPPORT DU VOLANT DE DIRECTION    |
| 11          | 532 43 61-83 | TIGE (C.G.)                       |
| 12          | 532 43 61-84 | TIGE (C.D.)                       |
| 13          | 874 78 05-24 | BOULON, 5/16-18 X 1 1/2           |
| 14          | 819 11 12-16 | RONDELLE 11/32 X 3/4 X 16 JA.     |
| 16          | 532 42 87-94 | DOUILLE                           |
| 15          | 873 80 05-00 | ÉCROU, 5/16-18                    |
| 17          | 532 43 61-78 | SUPPORT SUPÉRIEUR DE DIRECTION    |
| 19          | 817 00 05-12 | BOULON, 5/16-18 X 3/4             |
| 20          | 532 42 80-45 | PINCE, RESSORT DE RETENUE         |
| 23          | 532 43 77-47 | ADAPTEUR, VOLANT DE DIRECTION     |
| 26          | 532 42 45-51 | VOLANT DE DIRECTION               |
| 27          | 532 42 45-53 | CHAPPEAU, VOLANT DE DIRECTION     |
| 28          | 532 19 98-49 | PINCE, RESSORT DE RETENUE         |
| 29          | 532 43 61-80 | SPINDLE, C.G.                     |
| 30          | 532 19 32-68 | CHAPPEAU D'ESSIEU                 |
| 31          | 819 34 32-10 | RONDELLE 1-1/16 X 2 X 10 JA.      |
| 32          | 817 58 05-20 | VIS 5/16-18 X 1-3/4               |
| 34          | 532 43 61-82 | ARBRE POUR LE VOLANT DE DIRECTION |
| 35          | 532 44 20-66 | MANCHON DE DIRECTION              |
| 36          | 532 19 60-75 | ARBRE DE RALLONGE                 |
| 37          | 874 78 05-80 | BOULON 5/16-18 UNC X 5 CAT. 5     |
| 38          | 810 04 05-00 | RONDELLE 5/16                     |
| 39          | 819 11 38-12 | ÉCROU                             |
| 41          | 532 43 65-90 | MOUSSE POUR L'ARBRE DE DIRECTION  |
| 42          | 532 42 10-76 | ÉPINGLE, 5/64 X 3/4               |
| 43          | 873 54 05-00 | ÉCROU 5/16-24 UNF                 |
| 44          | 532 42 80-44 | COUSSINET                         |

REMARQUE : Toutes les dimensions des composants sont en pouce US 1 pouce = 25,4 mm



| KEY NO. | PART NO.     | DESCRIPTION             |
|---------|--------------|-------------------------|
| 1       | 532 43 61-76 | WELDMENT, CHASSIS       |
| 2       | 532 18 01-66 | BRACKET, SEAT           |
| 7       | 532 43 61-77 | PLATE, ENGINE           |
| 8       | 532 43 68-60 | BRACKET, CHASSIS FRONT  |
| 10      | 532 44 18-05 | PAN, SEAT               |
| 11      | 532 19 93-70 | BRACKET, SWITCHMOUNTING |
| 13      | 532 44 20-71 | COVER, FOOT REST        |
| 14      | 532 44 20-75 | FOOTREST STRUCTURAL     |
| 15      | 532 44 20-69 | SUPPORT, FOOT REST      |
| 16      | 532 43 93-97 | PANEL ASM, CONTROL      |
| 18      | ---          | ---                     |
| 19      | 532 43 68-61 | KEEPER, BELT            |
| 22      | 532 44 21-30 | DECK CLUTCH ASM         |
| 23      | 532 14 98-46 | KNOB                    |
| 24      | 532 41 63-58 | SCREW                   |
| 25      | 872 14 04-24 | BOLT                    |
| 26      | 873 51 04-00 | NUT, 1/4-20             |
| 29      | 532 43 89-21 | BOLT, 7/16-20 X 1.00    |
| 32      | 817 06 06-20 | SCREW 3/8-16 X 1-1/4    |
| 33      | 532 12 41-81 | SPRING, SEAT            |
| 34      | 532 12 37-40 | SPRING                  |
| 35      | 872 05 04-12 | BOLT, 1/4-20 X 1 1/2    |
| 39      | 532 13 43-00 | SPACER                  |
| 40      | 532 12 12-48 | BUSHING, NYLON SNAP     |
| 41      | 532 12 39-76 | NUT, LOCK               |
| 42      | 532 17 18-52 | BOLT, 5/16-18 SHOULDER  |
| 43      | 873 80 05-00 | NUT, 5/16-18            |
| 44      | 532 43 66-12 | SEAT                    |
| 45      | 817 00 05-12 | BOLT, 5/16-18 X 3/4     |
| 49      | 817 06 05-16 | SCREW 5/16-18 X 1       |
| 51      | 532 42 88-56 | BRACKET                 |
| 52      | 532 14 50-06 | CLIP PUSH-IN HINGED     |
| 53      | 532 43 85-62 | SCREW                   |
| 54      | 532 43 64-73 | DISC FRICTION           |
| 55      | 532 43 58-08 | TORSION BODY UPPER      |
| 56      | 532 44 19-25 | TORSION BODY LOWER      |
| 57      | 532 43 64-79 | SPRING HELIX            |
| 60      | 532 43 78-56 | FUEL TANK ASM           |
| 62      | 532 40 04-14 | FUEL LINE               |
| 63      | 532 41 41-19 | PURGE LINE              |
| 64      | 532 12 34-87 | CLAMP HOSE              |
| 65      | 532 43 85-96 | FUEL CAP                |
| 66      | 532 43 66-06 | FUEL TANK SUPPORT BRKT  |
| 67      | 532 42 17-56 | SCREW #10 X 0.500       |
| 68      | 532 43 98-51 | SHIELD HEAT             |
| 69      | 532 43 74-27 | BRACKET MOUNT CABLE     |

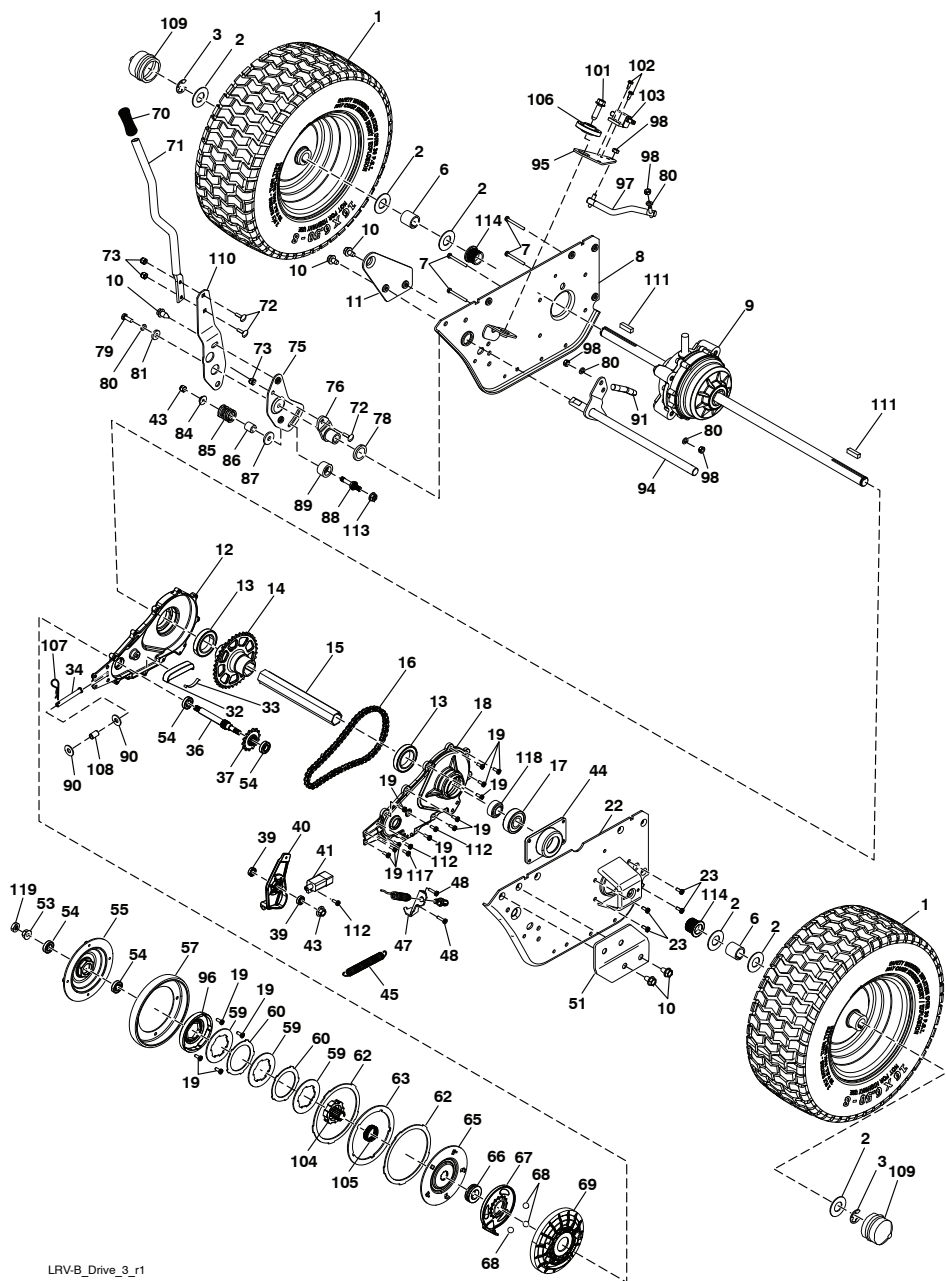
| KEY NO. | PART NO.     | DESCRIPTION                   |
|---------|--------------|-------------------------------|
| 70      | 532 44 20-68 | CONSOLE CENTER CUPHOLDER      |
| 71      | 532 43 78-57 | THROTTLE ASM                  |
| 72      | 532 19 51-61 | STUD FASTNER                  |
| 73      | 873 90 05-00 | NUT LOCK HEX FLANGE 5/16-18   |
| 74      | 873 90 04-00 | NUT HEX FLANGE 1/4-20         |
| 75      | 532 43 69-59 | CABLE BRAKE                   |
| 76      | 877 10 08-12 | PIN CLEVIS                    |
| 77      | 876 02 02-08 | PIN COTTER 1/16 X 1/2         |
| 78      | 532 43 70-56 | BRACKET SUPPORT ROD           |
| 79      | 532 43 70-57 | BRAKE WELDMENT                |
| 80      | 532 42 96-93 | BRAKE PEDAL COVER             |
| 81      | 532 43 73-74 | WELDMENTLINKCONNECTING        |
| 82      | 532 16 94-84 | RETAINER CLIP                 |
| 83      | 532 43 93-66 | STEERING TOWER REAR           |
| 84      | 532 43 92-89 | STEERING BOOT FRONT           |
| 85      | 532 43 76-60 | PARKING BRAKE HANDLE          |
| 86      | 532 43 87-62 | ACTUATOR PARKING BRAKE        |
| 87      | 532 16 54-92 | SHOULDER BOLT                 |
| 88      | 532 42 81-10 | CROSS BRACE                   |
| 91      | 532 43 74-01 | TRACK CLUTCH BRKT             |
| 94      | 874 49 05-48 | BOLT                          |
| 95      | 532 44 42-71 | BRACKET CLUTCHING             |
| 96      | 532 44 20-73 | BUMPER REAR                   |
| 97      | 532 43 64-72 | PULLEY ENGINE                 |
| 100     | 532 19 76-61 | HANDLE SLIDE SEAT             |
| 101     | 532 19 82-00 | SPRING LATCH SEAT             |
| 102     | 874 76 06-12 | BOLT FIN HEX 3/8-16 UNC X 3/4 |
| 103     | 819 13 38-12 | WASHER 13/32 X 2 3/8 X 12 GA  |
| 104     | 818 10 10-08 | SCREW TORX #10-14 X 1/2       |
| 105     | 532 44 20-78 | ENGINE COVER                  |
| 106     | 532 43 68-34 | STRAP BATTERY                 |
| 107     | 532 44 20-74 | FRONT BRUSH GUARD             |
| 108     | 532 43 71-68 | COVER REAR TRANSAXLE          |
| 109     | 532 43 90-08 | BRAKE HANDLE PLATE            |
| 110     | 532 44 21-45 | CONTROL PANEL HINGE PIN       |
| 111     | 532 43 81-71 | SHIELD, BRAKE CABLE           |
| 112     | 817 72 04-08 | SCREW THD CUT                 |
| 113     | 817 06 05-12 | SCREW 5/16-18X3/4             |
| 117     | 532 19 91-62 | WASHER                        |
| 118     | 532 44 50-02 | SUPPORT CONTROL PANEL RH      |

NOTE: All component dimensions given in U.S. inches  
1 inch = 25.4 mm



**RIDING MOWER  
DRIVE**

**MODEL NUMBER PB30 (96028000300)  
PRODUCT NUMBER 960 28 00-03**



LRV-B\_Drive\_3\_r1

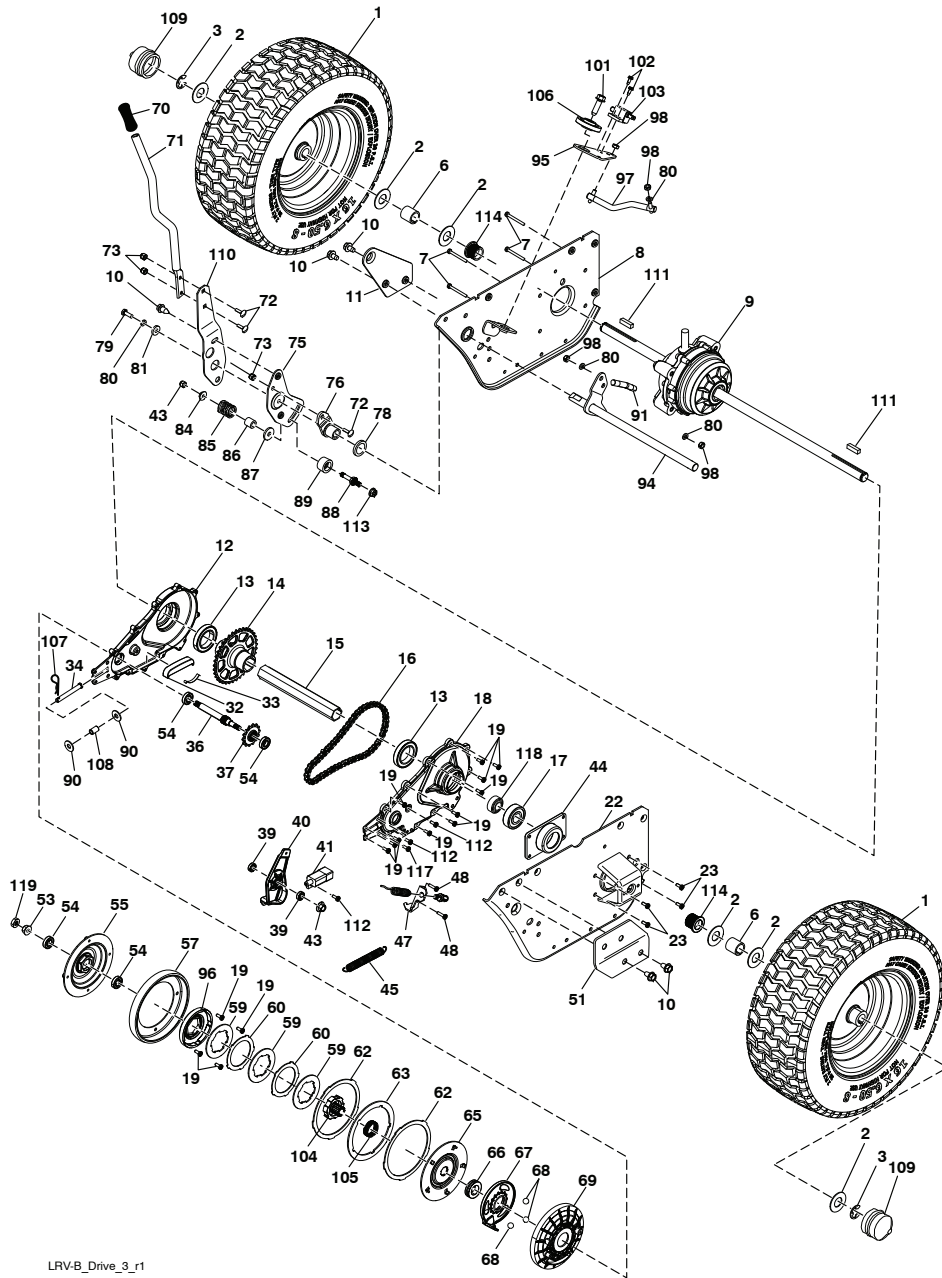
**TONDEUSE AUTOPORTÉE  
ENTRAÎNEMENT**

**NO. DE CATALOGUE PB30 (96028000300)  
NO. DE PROD. 960 28 00-03**

| NO. DE RÉF. | NO DE PIÈCE  | DESCRIPTION                   | NO. DE RÉF. | NO DE PIÈCE  | DESCRIPTION                  |
|-------------|--------------|-------------------------------|-------------|--------------|------------------------------|
| 1           | 532 44 20-79 | ENSEMBLE DU ROUE (ARRIÈRE)    | 67          | 532 44 58-15 | PLÂTE                        |
| 2           | 532 12 17-48 | RONDELLE, 16 JA.              | 68          | 532 44 58-17 | ROULEMENT À BILLES           |
| 3           | 812 00 00-01 | PINCE DE "E"                  | 69          | 532 44 58-16 | COUVERTURE D'EMBRAYAGE       |
| 6           | 532 15 69-72 | ENTRETOISE D'ESSIEU           | 70          | 532 41 15-55 | POIGNÉE DE LEVIER            |
| 7           | 874 78 04-28 | HCS 1/4-20 X 1-3/4 CAT. 5 ZD  | 71          | 532 43 68-65 | TUYAU                        |
| 8           | 532 43 66-95 | SUPPORT D'ESSIEU (C.D.)       | 72          | 872 11 04-06 | BOULON                       |
| 9           | 532 44 39-89 | ESSIEU                        | 73          | 873 68 04-00 | ÉCROU 1/4 - 20 UNC           |
| 10          | 817 00 05-12 | VIS 5/16 - 18 X 3/4           | 75          | 532 43 67-58 | SUPPORT DU CHANGEMENT        |
| 11          | 532 43 67-41 | SUPPORT (C.D.)                | 76          | 532 44 43-04 | MOYEU DU CHANGEMENT          |
| 12          | 532 44 74-24 | BOÎTE DU CHAÎNE (C.D.)        | 78          | 532 42 90-55 | ENTRETOISE .866X1.25X.250    |
| 13          | 532 43 72-80 | ROULEMENT À BILLES 6207-SRS   | 79          | 874 78 04-12 | BOULON 1/4-20 UNC X .75      |
| 14          | 532 43 71-76 | PIGNON                        | 80          | 810 04 04-00 | RONDELLE                     |
| 15          | 532 44 29-53 | TUYAU                         | 81          | 819 09 12-10 | RONDELLE 9/32 X 3/4 X 10 JA. |
| 16          | 532 43 61-53 | CHAÎNE                        | 84          | 819 11 16-10 | RONDELLE 11/32X1.00X10JA.    |
| 17          | 532 43 72-82 | ROULEMENT À BILLES 6204-3-2RS | 85          | 532 43 69-14 | RESSORT                      |
| 18          | 532 43 61-49 | BOÎTE DU CHAÎNE (C.G.)        | 86          | 532 43 73-04 | DOUILLE                      |
| 19          | 818 05 10-10 | VIS 10 - 24 X 5/8             | 87          | 532 43 69-48 | RONDELLE                     |
| 22          | 532 43 66-96 | SUPPORT D'ESSIEU (C.G.)       | 88          | 532 43 67-01 | TENON                        |
| 23          | 818 05 10-10 | VIS #10 - 14 X 1/2            | 89          | 532 43 72-99 | ENTRETOISE                   |
| 32          | 532 43 61-51 | BLOQUE DE TENSION DEL CHAÎNE  | 90          | 819 11 14-16 | RONDELLE.11/32X7/8X16JA.     |
| 33          | 532 43 61-50 | RESSORT DE TENSION            | 91          | 532 43 69-24 | TIGE                         |
| 34          | 877 10 10-40 | EPINGLE 5/16 X 2-1/2          | 92          | 532 43 69-24 | SUPPORT DE CHANGEMENT        |
| 36          | 532 44 62-78 | ARBRE D'EMBRAYAGE             | 94          | 532 43 69-18 | PLÂTE DE CHANGEMENT          |
| 37          | 532 43 61-52 | PIGNON                        | 96          | 532 44 47-17 | TAMBOUR D'EMBRAYAGE          |
| 39          | 532 43 04-70 | ROULEMENT À BILLES            | 97          | 532 43 69-25 | TIGE (PREMIER)               |
| 40          | 532 43 69-39 | BRAS DE FREIN                 | 98          | 532 15 03-60 | ÉCROU 1/4 - 28               |
| 41          | 532 10 44-45 | INTERRUPTEUR                  | 101         | 817 06 06-24 | VIS.3/8-16X1-1/2             |
| 43          | 873 80 05-00 | ÉCROU 5/16 - 18 UNC           | 102         | 532 08 67-77 | VIS AUTOTARAUDÉE             |
| 44          | 532 43 66-52 | COUVERTURE                    | 103         | 532 10 98-69 | INTERRUPTEUR DU SÈGE         |
| 45          | 532 43 61-54 | RESSORT D'ENTRAÎNEMENT        | 104         | 532 44 47-15 | MOYEU (CENTRALE)             |
| 47          | 532 43 69-49 | SUPPORT DU CÂBLE              | 105         | 532 43 61-42 | RESSORT C125-H5              |
| 48          | 817 54 10-16 | VIS.10-24X1.00                | 106         | 532 19 43-21 | ENTRETOISE                   |
| 51          | 532 43 67-39 | SUPPRT (C.G.)                 | 107         | 532 12 47-88 | RESSORT DE RETENUE           |
| 53          | 873 90 06-00 | ÉCROU                         | 108         | 532 43 67-84 | DOUILLE 5/16IDX7/16ODX1/2    |
| 54          | 532 43 57-26 | ROUE DE FRICTION              | 109         | 532 19 32-68 | CHAPPEAU D'ESSIEU 1.50X1.00  |
| 55          | 532 44 47-16 | COUVERTURE DU ROUE            | 110         | 532 42 84-61 | SUPPORT DU CHANGEMENT        |
| 57          | 532 43 65-59 | ROUE DE FROTTEMENT            | 111         | 532 12 35-83 | CLÉ 2.0 X .1845/.1865        |
| 59          | 532 44 10-97 | PLÂTE D'EMBRAYAGE             | 112         | 818 10 10-12 | VIS #10-14 X .750            |
| 60          | 532 43 77-87 | PLÂTE DE PRESSION             | 113         | 873 90 05-00 | ÉCROU                        |
| 62          | 532 43 77-86 | PLÂTE D'EMBRAYAGE/FREIN       | 114         | 532 43 62-82 | PALIER                       |
| 63          | 532 43 77-85 | PLÂTE DE PRESSION/FREIN       | 117         | 532 44 62-00 | VIS 10-14                    |
| 65          | 532 44 58-14 | PLÂTE DE PRESSION PRINCIPAL   | 118         | 532 44 25-01 | CHAPEAU                      |
| 66          | 532 43 57-24 | PALIER BUTÉE 20MM             | 119         | 873 35 06-00 | ÉCROU 3/8-16 UNC             |

**REMARQUE :** Toutes les dimensions des composants sont en pouce US 1 pouce = 25,4 mm

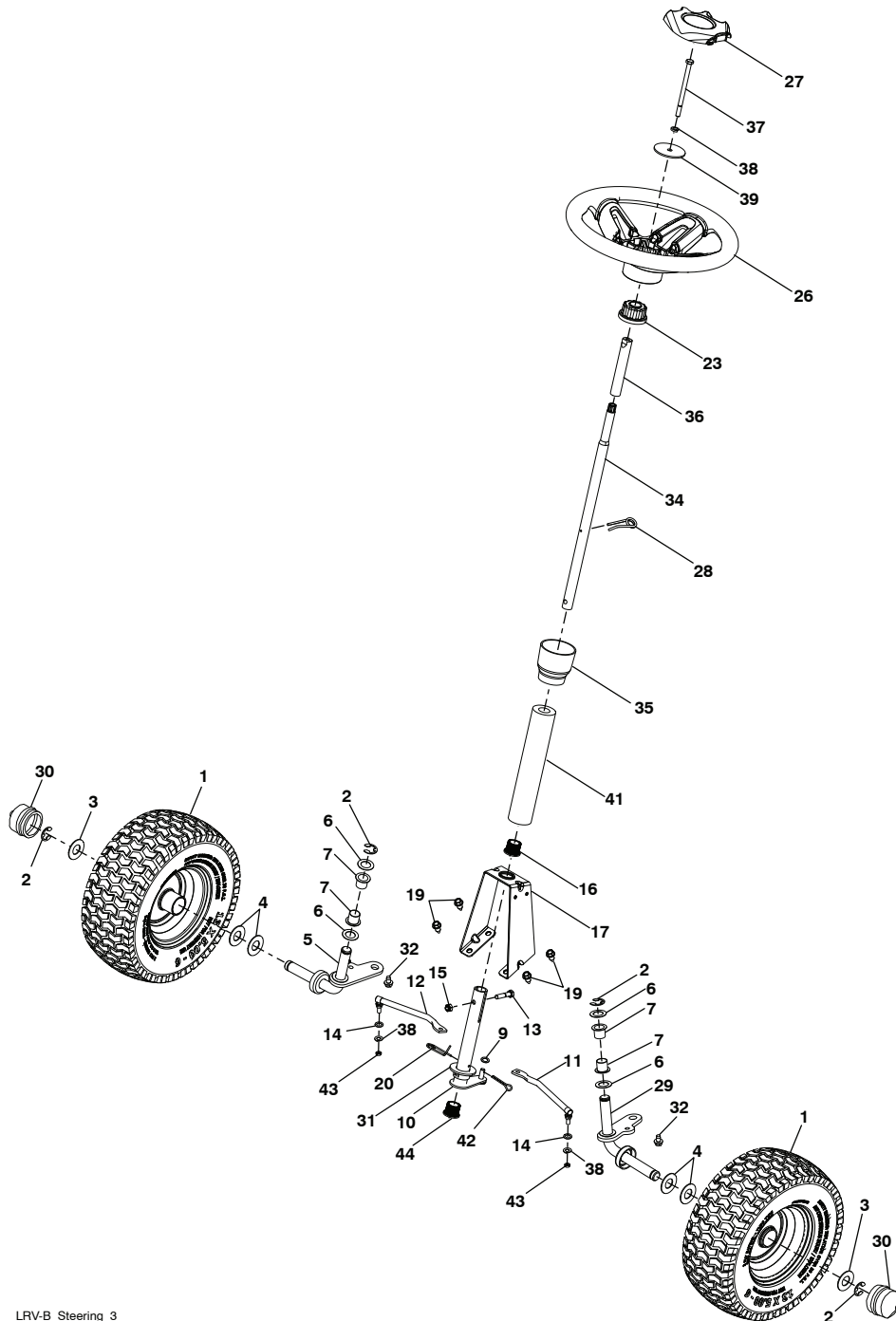




| KEY NO. | PART NO.     | DESCRIPTION                         |
|---------|--------------|-------------------------------------|
| 1       | 532 44 20-79 | WHEEL ASM (REAR)                    |
| 2       | 532 12 17-48 | WASHER, 16 GA.                      |
| 3       | 812 00 00-01 | E-CLIP                              |
| 6       | 532 15 69-72 | SPACER AXLE                         |
| 7       | 874 78 04-28 | HCS 1/4-20 X 1-3/4 GR 5 ZD          |
| 8       | 532 43 66-95 | WELMENT SUPPORT AXLE RH             |
| 9       | 532 44 39-89 | SUBASM FINAL DRIVE                  |
| 10      | 817 00 05-12 | SCREW 5/16 - 18 X 3/4               |
| 11      | 532 43 67-41 | BRACKET.SUPPORT.RH                  |
| 12      | 532 44 74-24 | CASE CHAIN RH                       |
| 13      | 532 43 72-80 | BEARING BALL 6207-SRS               |
| 14      | 532 43 71-76 | SPROCKET DRIVEN 37 TOOTH            |
| 15      | 532 44 25-51 | TUBE INPUT HEX                      |
| 16      | 532 43 61-53 | CHAIN PRIMARY DRIVE                 |
| 17      | 532 43 72-82 | BEARING BALL 6204-3-2RS             |
| 18      | 532 43 61-49 | CASE CHAIN LH                       |
| 19      | 818 05 10-10 | SCREW 10-24 X 5/8 PAN HEAD TORX     |
| 22      | 532 43 66-96 | WELMENT SUPPORT AXLE LH             |
| 23      | 818 05 10-10 | SCREW TORX #10 - 14 X 1/2           |
| 32      | 532 43 61-51 | BLOCK TENSION CHAIN                 |
| 33      | 532 43 61-50 | SPRING ADJUSTER TENSION             |
| 34      | 877 10 10-40 | PIN CLEVIS 5/16 X 2-1/2             |
| 36      | 532 44 62-78 | SHAFT INPUT CLUTCH                  |
| 37      | 532 43 61-52 | SPROCKETS PLINED 14 TOOTH           |
| 39      | 532 43 04-70 | BEARING BALL                        |
| 40      | 532 43 69-39 | ARM BRAKE                           |
| 41      | 532 10 44-45 | SWITCH INTLK MWR GRY 2 TERM         |
| 43      | 873 80 05-00 | NUT LOCK HEX W/INSERT 5/16 - 18 UNC |
| 44      | 532 43 66-52 | COVER END HEX                       |
| 45      | 532 43 61-54 | SPRING DRIVE                        |
| 47      | 532 43 69-49 | BRACKET MOUNT CABLE LRV B           |
| 48      | 817 54 10-16 | SCREW.HEX.HEAD WASH.10-24X1.00      |
| 51      | 532 43 67-39 | BRACKET SUPPORT LH                  |
| 53      | 873 90 06-00 | LOCK NUT, FLANGED                   |
| 54      | 532 43 57-26 | BEARING BALL                        |
| 55      | 532 44 47-16 | COVER WHEEL CLUTCH                  |
| 57      | 532 43 65-59 | WHEEL FRICTION                      |
| 59      | 532 44 10-97 | PLATE.CLUTCH.DRIVE                  |
| 60      | 532 43 77-87 | PLATE PRESSURE DRIVE                |
| 62      | 532 43 77-86 | PLATE CLUTCH BRAKE                  |
| 63      | 532 43 77-85 | PLATE PRESSURE BRAKE                |
| 65      | 532 44 58-14 | PLATE PRESSURE MASTER               |
| 66      | 532 43 57-24 | BEARING THRUST 20MM                 |
| 67      | 532 44 58-15 | PLATE THROWOUT                      |
| 68      | 532 44 58-17 | BEARING BALL LOOSE                  |
| 69      | 532 44 58-16 | COVER CLUTCH                        |

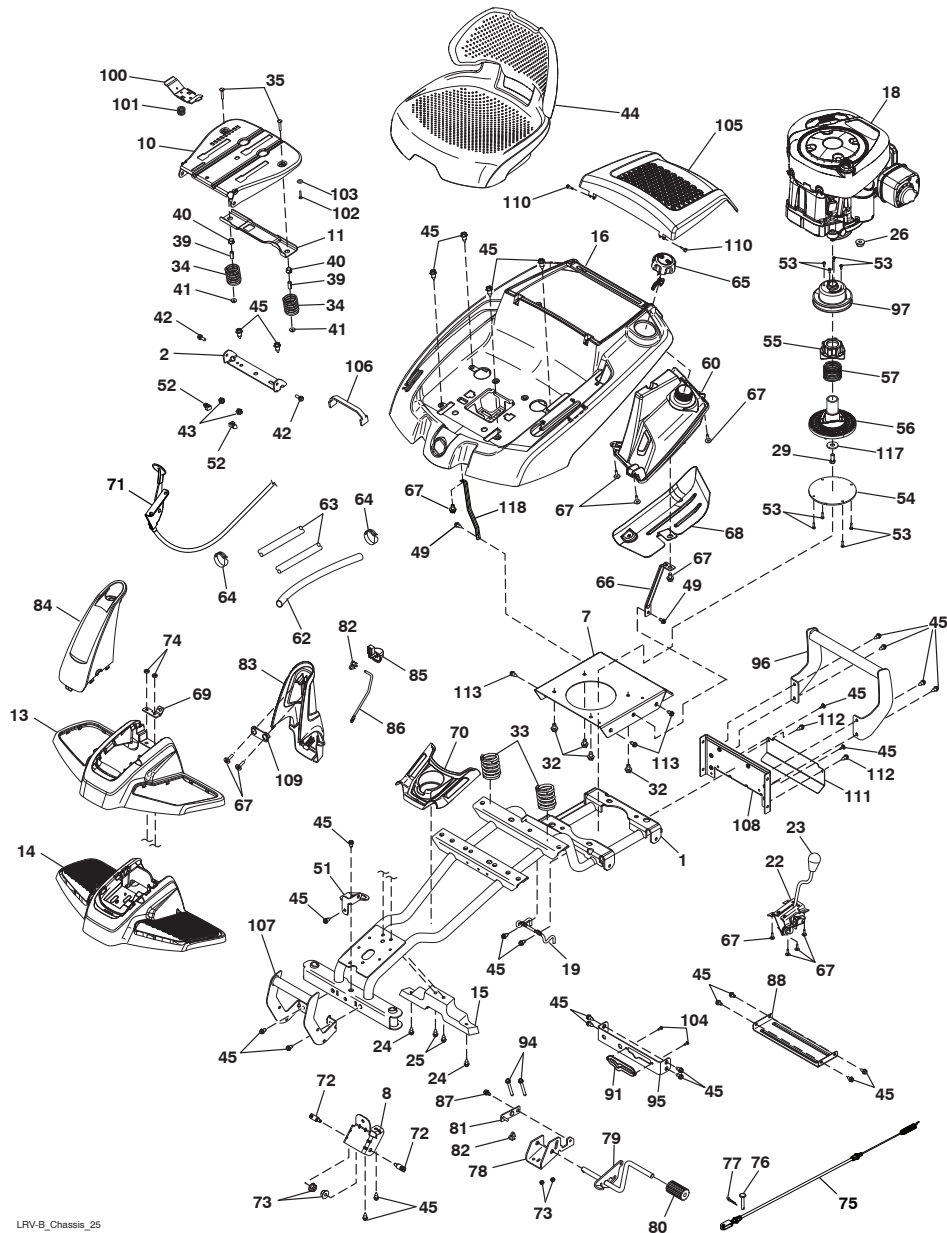
| KEY NO. | PART NO.     | DESCRIPTION                     |
|---------|--------------|---------------------------------|
| 70      | 532 41 15-55 | GRIP LEVER                      |
| 71      | 532 43 68-65 | TUBE SHIFT LRV                  |
| 72      | 872 11 04-06 | BOLT CARR.                      |
| 73      | 873 68 04-00 | NUT CROWN LOCK 1/4 - 20 UNC     |
| 75      | 532 43 67-58 | BRACKET MOUNT SHIFT             |
| 76      | 532 44 43-04 | HUB SHIFT                       |
| 78      | 532 42 90-55 | SPACER NYLON .866 X 1.25 X .250 |
| 79      | 874 78 04-12 | BOLT.FIN.HEX.1/4-20UNCX.75      |
| 80      | 810 04 04-00 | WASHER LOCK HVY HLCL SPRING     |
| 81      | 819 09 12-10 | WASHER 9/32 X 3/4 X 10 GA.      |
| 84      | 819 11 16-10 | WASHER 11/32 X 1.00 X 10 GA.    |
| 85      | 532 43 69-14 | SPRING FRICTION PACK            |
| 86      | 532 43 73-04 | BUSHING PACK FRICTION FD2       |
| 87      | 532 43 69-48 | WASHER PLASTIC                  |
| 88      | 532 43 67-01 | STUD PACK FRICTION              |
| 89      | 532 43 72-99 | SPACER PACK FRICTION FD2        |
| 90      | 819 11 14-16 | WASHER.11/32 X 7/8 X 16 GA.     |
| 91      | 532 43 69-24 | SUBASM.LINK.SHIFT               |
| 94      | 532 43 69-18 | WELDMENT.SHIFT.FD2              |
| 95      | 532 43 68-66 | PLATE.SHIFT                     |
| 96      | 532 44 47-17 | DRUM CLUTCH MULTI DISC          |
| 97      | 532 43 69-25 | SUBASMLINKSHIFT PRIMARY         |
| 98      | 532 15 03-60 | NUT LOCK CENTER 1/4 - 28 FNTHD  |
| 101     | 817 06 06-24 | SCREW.3/8-16X1-1/2. SMGML TAP/R |
| 102     | 532 08 67-77 | THREAD.CUTTER                   |
| 103     | 532 10 98-69 | SWITCH.SEAT.                    |
| 104     | 532 44 47-15 | HUB CENTER                      |
| 105     | 532 43 61-42 | SPRING WAVE C125-H5             |
| 106     | 532 19 43-21 | SPACER RETAINER                 |
| 107     | 532 12 47-88 | RETAINER.SPRING.1".ZINC/CAD     |
| 108     | 532 43 67-84 | BUSHING.5/16IDX7/16ODX1/2       |
| 109     | 532 19 32-68 | CAP.HUB.AXLE.1.50 X 1.00        |
| 110     | 532 42 84-61 | BRACKET SHIFTER FLEX            |
| 111     | 532 12 35-83 | KEY.SQUARE.2.0 X .1845/.1865    |
| 112     | 818 10 10-12 | SCREW TORX #10-14 X .750        |
| 113     | 873 90 05-00 | NUT LOCK FLANGE HEX             |
| 114     | 532 43 62-82 | BEARING FLANGE                  |
| 117     | 532 44 62-00 | SCREW TORX SHOULDER 10-14       |
| 118     | 532 44 25-01 | CAP.TUBE.HEX                    |
| 119     | 873 35 06-00 | NUT.HEX 3/8-16 UNC              |

NOTE: All component dimensions given in U.S. inches  
1 inch = 25.4 mm



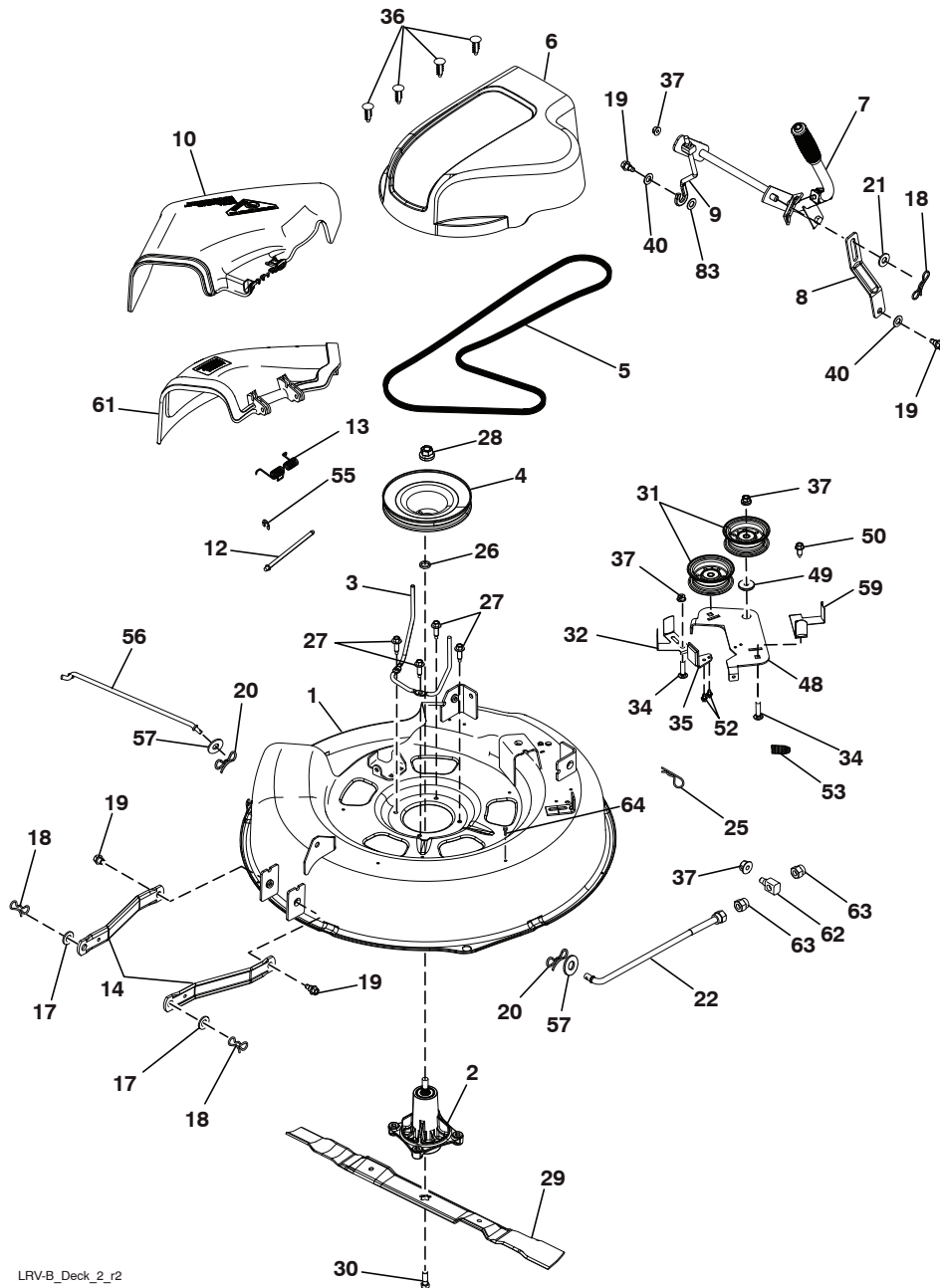
| NO. DE RÉF. | NO DE PIÈCE  | DESCRIPTION                                      | NO. DE RÉF. | NO DE PIÈCE  | DESCRIPTION                   |
|-------------|--------------|--|-------------|--------------|-------------------------------|
| 1           | 532 43 61-76 | CHÂSSIS DU CARTER                                | 67          | 532 42 17-56 | VIS #10 X 0.500               |
| 2           | 532 18 01-66 | SUPPORT  | 68          | 532 43 98-51 | PARE-CHALEUR                  |
| 7           | 532 43 61-77 | PLAQUETTE DE MOTEUR                              | 69          | 532 43 74-27 | SUPPORT                       |
| 8           | 532 43 68-60 | SUPPORT  | 70          | 532 44 20-68 | TENANTE DE TASSE              |
| 10          | 532 44 18-05 | CUVETTE DU SIÈGE                                 | 71          | 532 43 78-57 | PAPILLON DES GAZ              |
| 11          | 532 19 93-70 | SUPPORT  | 72          | 532 19 51-61 | TENON                         |
| 13          | 532 44 20-71 | COUVERCLE  | 73          | 873 90 05-00 | ÉCROU 5/16-18                 |
| 14          | 532 44 20-75 | REPOSE-PIED                                      | 74          | 873 90 04-00 | ÉCROU 5/16-18                 |
| 15          | 532 44 20-69 | SUPPORT  | 75          | 532 43 69-59 | CÂBLE FREIN                   |
| 16          | 532 43 93-95 | TABLEAU DE COMMANDE                              | 76          | 877 10 08-12 | AXE D'ARTICULATION            |
| 18          | ---          | ---  | 77          | 876 02 02-08 | GOUPILLE FENDUE 1/16 X 1/2    |
| 19          | 532 43 68-61 | ENGINE, 217807-1568-G5 (441102) (NON-CALIFORNIA) | 78          | 532 43 70-56 | SUPPORT                       |
| 22          | 532 44 21-30 | (L'ORDRE SÉPARE DU FABRICANT DE MOTEUR.)         | 79          | 532 43 70-57 | FREINER LA SOUDURE            |
| 23          | 532 14 98-46 | BOULON   | 80          | 532 42 96-93 | FREINER LA COUVERCLE          |
| 24          | 532 41 63-58 | VIS #10 X 0.750                                  | 81          | 532 43 73-74 | RACCORD                       |
| 25          | 872 14 04-24 | BOULON   | 82          | 532 16 94-84 | PINCE                         |
| 26          | 873 51 04-00 | ÉCROU 1/4-20                                     | 83          | 532 43 93-66 | ÉLEVER DIRECTION LA TOUR      |
| 29          | 532 43 89-21 | BOULON 7/16-20 X 1.00                            | 84          | 532 43 92-88 | BOTTE DE DIRECTION DE DEVANT  |
| 32          | 817 06 06-20 | VIS 3/8-16 X 1-1/4                               | 85          | 532 43 76-60 | FREIN DE STATIONNEMENT        |
| 33          | 532 12 41-81 | RESSORT  | 86          | 532 43 87-62 | LEVIER DE COMMANDE            |
| 34          | 532 12 37-40 | RESSORT  | 87          | 532 16 54-92 | BOULON                        |
| 35          | 872 05 04-12 | BOULON, 1/4-20 X 1 1/2                           | 88          | 532 42 81-10 | PIÈCE D'ENTRETOISEMENT        |
| 39          | 532 13 43-00 | ENTRETOISE                                       | 91          | 532 43 74-01 | SUPPORT                       |
| 40          | 532 12 12-48 | COUSSINET  | 94          | 874 49 05-48 | BOULON                        |
| 41          | 532 12 39-76 | ÉCROU  | 95          | 532 44 42-71 | SUPPORT                       |
| 42          | 532 17 18-52 | BOULON, 5/16-18                                  | 96          | 532 44 20-73 | PARE-CHOCS                    |
| 43          | 873 80 05-00 | ÉCROU, 5/16-18                                   | 97          | 532 43 64-72 | POULIE DU MOTEUR              |
| 44          | 532 43 66-12 | SIÈGE  | 100         | 532 19 76-61 | GUIDON DE SIÈGE               |
| 45          | 817 00 05-12 | BOULON 5/16-18 X 3/4                             | 101         | 532 19 82-00 | RESSORT                       |
| 49          | 817 06 05-16 | VIS 5/16-18 X 1                                  | 102         | 874 76 06-12 | BOULON 3/8-16 UNC X 3/4       |
| 51          | 532 43 67-39 | SUPPORT (C.G.)                                   | 103         | 819 13 38-12 | RONDELLE 13/32 X 23/8 X 12JA  |
| 52          | 532 14 50-06 | PINCE  | 104         | 818 10 10-08 | VIS TORK #10-14 X 1/2         |
| 53          | 532 43 85-62 | VIS  | 105         | 532 44 20-78 | COUVERCLE LE MOTEUR           |
| 54          | 532 43 64-73 | ROUE DE FRICTION                                 | 106         | 532 43 68-34 | ATTACHE                       |
| 55          | 532 43 58-08 | CORPS SUPÉRIEUR DE TORSION                       | 107         | 532 44 20-74 | PROTECTEUR                    |
| 56          | 532 44 19-25 | ABAISSER LE CORPS DE TORSION                     | 108         | 532 43 71-68 | COUVERCLE                     |
| 57          | 532 43 64-79 | RESSORT  | 109         | 532 19 32-60 | CHAPPEAU D'ESSIEU 1.50 X 1.00 |
| 60          | 532 43 78-56 | ENSEMBLE LA RÉSERVOIR D'ESSENCE                  | 110         | 532 42 84-61 | SUPPORT DU CHANGEMENT         |
| 62          | 863 08 37-30 | CONDUITE DU CARBURANT                            | 111         | 532 43 81-71 | DEFLECTEUR                    |
| 63          | 532 41 41-19 | CONDUITE   | 112         | 817 72 04-08 | VIS                           |
| 64          | 532 12 34-87 | BRIDE SERRAGE DU TUYAU                           | 113         | 817 06 05-12 | VIS 5/16-18 3/4               |
| 65          | 532 43 85-96 | BOUCHON DU RÉSERVOIR D'ESSENCE                   | 117         | 532 19 91-62 | RONDELLE 1.5 X 505 X .118     |
| 66          | 532 43 66-06 | SUPPORT  | 118         | 532 44 50-02 | SUPPORT                       |

REMARQUE : Toutes les dimensions des composants sont en pouce US 1 pouce = 25,4 mm



| KEY PART NO. | PART NO.     | DESCRIPTION                      |
|--------------|--------------|----------------------------------|
| 1            | 532 44 20-64 | WHEEL TUBE                       |
| 2            | 812 00 00-01 | E-CLIP                           |
| 3            | 532 18 89-67 | WASHER, HARDENED                 |
| 4            | 532 12 17-49 | WASHER, 1/4 X 3/4                |
| 5            | 532 43 61-81 | SPINDLE, RH                      |
| 6            | 532 12 49-31 | WASHER, HARDENED THRUST          |
| 7            | 532 12 49-37 | BUSHING, STEERING COLUMN         |
| 9            | 819 13 14-14 | WASHER                           |
| 10           | 532 42 80-57 | WELDMENT, LWR STRG SHAFT         |
| 11           | 532 43 61-83 | LINK, STRNG LH                   |
| 12           | 532 43 61-84 | LINK, STRNG RH                   |
| 13           | 874 78 05-24 | BOLT, 5/16-18 X 1 1/2            |
| 14           | 819 11 12-16 | WASHER 11/32 X 3/4 X 16 GA       |
| 16           | 532 42 87-94 | BUSHING SNAP                     |
| 15           | 873 80 05-00 | NUT, 5/16-18                     |
| 17           | 532 43 61-78 | SUPPORT, UPPER STEERING          |
| 19           | 817 00 05-12 | BOLT, 5/16-18 X 3/4              |
| 20           | 532 42 80-45 | CLIP, RETAINER SPRING            |
| 23           | 532 43 77-47 | ADAPTER, STEERING WHEEL          |
| 26           | 532 42 45-51 | WHEEL, STEERING                  |
| 27           | 532 42 45-53 | CAP, STEERING WHEEL              |
| 28           | 532 19 98-49 | CLIP, RETAINER SPRING            |
| 29           | 532 43 61-80 | SPINDLE, LH                      |
| 30           | 532 19 32-68 | CAP, HUB, AXLE                   |
| 31           | 819 34 32-10 | WASHER 1-1/16 X 2 X 10GA.        |
| 32           | 817 58 05-20 | SCREW HEXWSH THD 5/16-18 X 1-3/4 |
| 34           | 532 43 61-82 | SHAFT STEERING UPPER             |
| 35           | 532 44 20-66 | BOOT LOWER STEERING WHEEL        |
| 36           | 532 19 60-75 | SHAFT EXTENSION STEERING SPLINE  |
| 37           | 874 78 05-80 | BOLT FIN HEX 5/16-18 UNC X 5 GR5 |
| 38           | 810 04 05-00 | WASHER LOCK HVY HLCL SPR 5/16    |
| 39           | 819 11 38-12 | WASHER                           |
| 41           | 532 43 65-90 | FOAM SHAFT STEERING              |
| 42           | 532 42 10-76 | PIN, 5/64 X 3/4 COTTER           |
| 43           | 873 54 05-00 | CROWNLOCK NUT 5/16-24 UNF        |
| 44           | 532 42 80-44 | BUSHING SNAP .75 ID              |

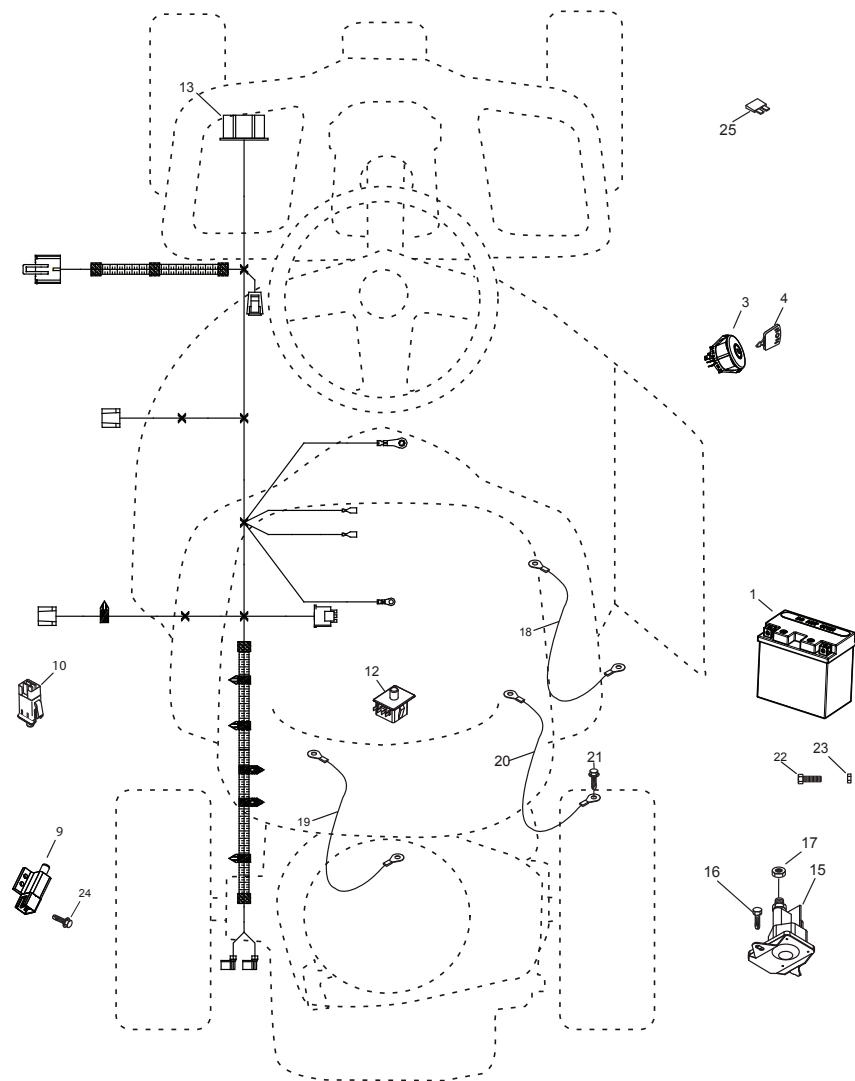
NOTE: All component dimensions given in U.S. inches  
1 inch = 25.4 mm



| NO. DE RÉF. | NO DE PIÈCE  | DESCRIPTION                       |
|-------------|--------------|-----------------------------------|
| 1           | 532 43 65-51 | BATTERIE                          |
| 3           | 532 19 33-50 | CONTACTEUR D'ALLUMAGE ROS         |
| 4           | 532 41 19-33 | CLE/CHAÎNE                        |
| 9           | 532 10 95-53 | INTERRUPTEUR DE VERROUILLAGE GRIS |
| 10          | 532 17 61-38 | INTERRUPTEUR GRIS                 |
| 12          | 532 19 27-49 | INTERRUPTEUR                      |
| 13          | 532 43 72-28 | HARNAIS DES CÂBLES D'ALLUMAGE LRV |
| 15          | 532 19 25-07 | SOLENOÏDE                         |
| 16          | 817 72 04-08 | VIS 1/4-20 X 1/2 TY23             |
| 17          | 873 51 04-00 | ÉCROU 1/4-20 UNC                  |
| 18          | 532 41 66-94 | CÂBLE LE BATTERIE                 |
| 19          | 532 42 12-99 | CÂBLE LE STARTER                  |
| 20          | 532 42 12-98 | FIL DE MASSE                      |
| 21          | 817 06 05-12 | VIS 5/16-18 X 3/4                 |
| 22          | 532 44 21-48 | VIS M5X0.8.9MM                    |
| 23          | 532 43 81-22 | ÉCROU M5                          |
| 24          | 818 10 10-12 | VIS TORX #10-14 X .750            |
| 25          | 532 44 16-22 | FUSIBLE, 10                       |

**REMARQUE :** Toutes les dimensions des composants sont en pouce US 1 pouce = 25,4 mm

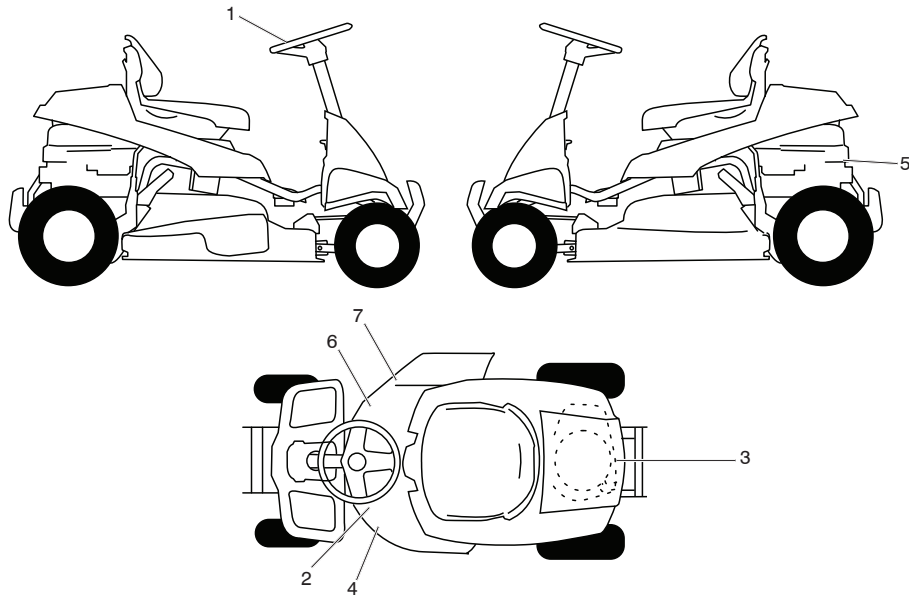
LRV2



| KEY NO. | PART NO.     | DESCRIPTION                   |
|---------|--------------|-------------------------------|
| 1       | 532 43 68-48 | DECK                          |
| 2       | 532 19 28-70 | MANDREL ASM                   |
| 3       | 532 43 68-56 | KEEPER, BELT                  |
| 4       | 532 43 68-55 | PULLEY, MANDREL               |
| 5       | 532 44 15-97 | BELT                          |
| 6       | 532 43 68-63 | COVER, MANDREL                |
| 7       | 532 43 67-34 | LIFT ASM, DECK                |
| 8       | 532 42 91-95 | LINK LIFT FIXED               |
| 9       | 532 42 93-97 | LINK ASM LINK ADJUSTABLE      |
| 10      | 532 43 96-38 | DEFLECTOR                     |
| 12      | 532 43 66-47 | PIN, HINGE                    |
| 13      | 532 43 74-62 | SPRING, TORSION               |
| 14      | 532 19 51-85 | ARM, MOWER SUPPORT            |
| 17      | 819 19 19-12 | WASHER                        |
| 18      | 532 19 42-09 | PIN                           |
| 19      | 532 19 65-39 | BOLT, SHOULDER                |
| 20      | 532 19 42-08 | PIN COTTER 5/16 BOW TIE LOCK  |
| 21      | 819 17 19-12 | WASHER 17/32 X 1-3/16 X 12GA. |
| 22      | 532 44 15-98 | LINK ASM DECK                 |
| 25      | 532 12 47-88 | RETAINER SPRING 1"            |
| 26      | 532 18 76-90 | SPACER, MANDREL               |
| 27      | 532 17 39-84 | BOLT, MANDREL                 |
| 28      | 532 40 02-34 | NUT FLANGE LOCK TOP           |
| 29      | 532 41 92-73 | BLADE                         |
| 30      | 532 19 30-03 | BOLT, BLADE                   |
| 31      | 532 19 31-97 | PULLEY, IDLER                 |
| 32      | 532 14 10-43 | GUARD, IDLER TUV              |
| 34      | 872 11 06-12 | BOLT, 3/8-16 X 1 1/2          |
| 35      | 532 19 94-70 | ARM, BRAKE                    |
| 36      | 532 13 77-29 | SCREW THD ROLL 1/4-20 X 5/8   |
| 37      | 873 90 06-00 | NUT, 3/8-16 FLANGE            |
| 40      | 819 17 16-16 | WASHER, 16 GA.                |
| 48      | 532 43 68-57 | ARM CLUTCHING                 |
| 49      | 532 19 90-92 | SPACER RETAINER               |
| 50      | 817 00 06-16 | SCREW 3/8-16 X 1              |
| 52      | 817 60 04-06 | SCREW 1/4-20 X 3/8            |
| 53      | 532 40 18-72 | SPRING RETURN DECK            |
| 55      | 532 43 79-88 | E-RING 5/16                   |
| 56      | 532 43 68-62 | ROD ANTI-SWAY                 |
| 57      | 819 13 13-12 | WASHER 13/32 X 13/16 X 12 GA  |
| 59      | 532 43 68-58 | GUARD TUV IDLER               |
| 61      | 532 43 79-47 | MULCH COVER ASM               |
| 62      | 532 17 62-05 | TRUNION SUSPENSION ARM        |
| 63      | 532 17 59-94 | NUT LIFT LINK 7/16-20         |
| 64      | 817 67 06-08 | SCREW THDROL 3/8-16 X 1/2     |
| 83      | 81912 14-14  | WASHER 3/8 X 7/8 X 14 GA.     |

**NOTE:** All component dimensions given in U.S. inches  
1 inch = 25.4 mm

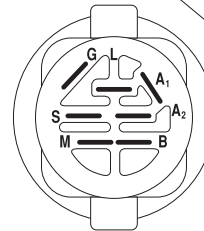
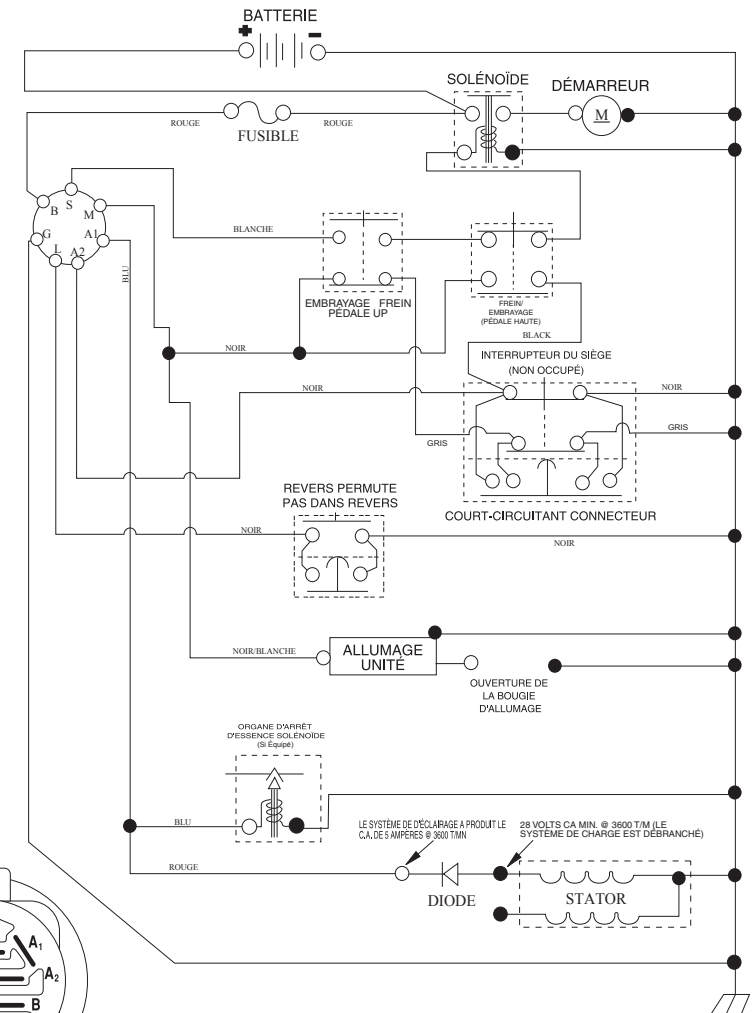




| KEY NO. | PART NO.     | DESCRIPTION                      |
|---------|--------------|----------------------------------|
| 1       | 532 43 85-01 | DECAL, STEERING WHEEL            |
| 2       | 532 44 14-97 | DECAL, V-BELT SCH 30"            |
| 3       | 532 43 52-86 | DECAL, WARNING SPARK             |
| 4       | 532 44 14-15 | DECAL, DECK/DEFLECTOR            |
| 5       | 532 40 88-07 | DECAL, ENGINE H.P.               |
| 6       | 532 17 05-63 | DECAL, MOWER WARNING             |
| 7       | 532 42 51-12 | DECAL, MOWER WARNING             |
| --      | 532 44 82-33 | MANUAL OPERATOR'S ENGLISH/FRENCH |
| --      | 532 44 82-34 | MANUAL PARTS ENGLISH/FRENCH      |

**NOTE:** All component dimensions given in U.S. inches  
1 inch = 25.4 mm

SCH24 - F



**CONTACTEUR D'ALLUMAGE**

| POSITION        | CIRCUIT "FAITS" |
|-----------------|-----------------|
| ARRÊT           | M+G+A1          |
| MARCHE/ALLUMAGE | B+A1            |
| MARCHE          | B+A1 L+A2       |
| DÉMARRAGE       | B + S + A1      |

PINCES ISOLÉES  
REMARQUE: SI LES PINCES ISOLÉES ONT ÉTÉ ENLEVÉES POUR L'ENTRETIEN DU MODÈLE, ELLES DOIVENT ÊTRE REMISES EN PLACE POUR ASSURER LE BON FONCTIONNEMENT DU CÂBLAGE.

AMOVIBLES CONNECTEURS  
NON-AMOVIBLES CONNECTEURS