

ILLUSTRATED PARTS LIST

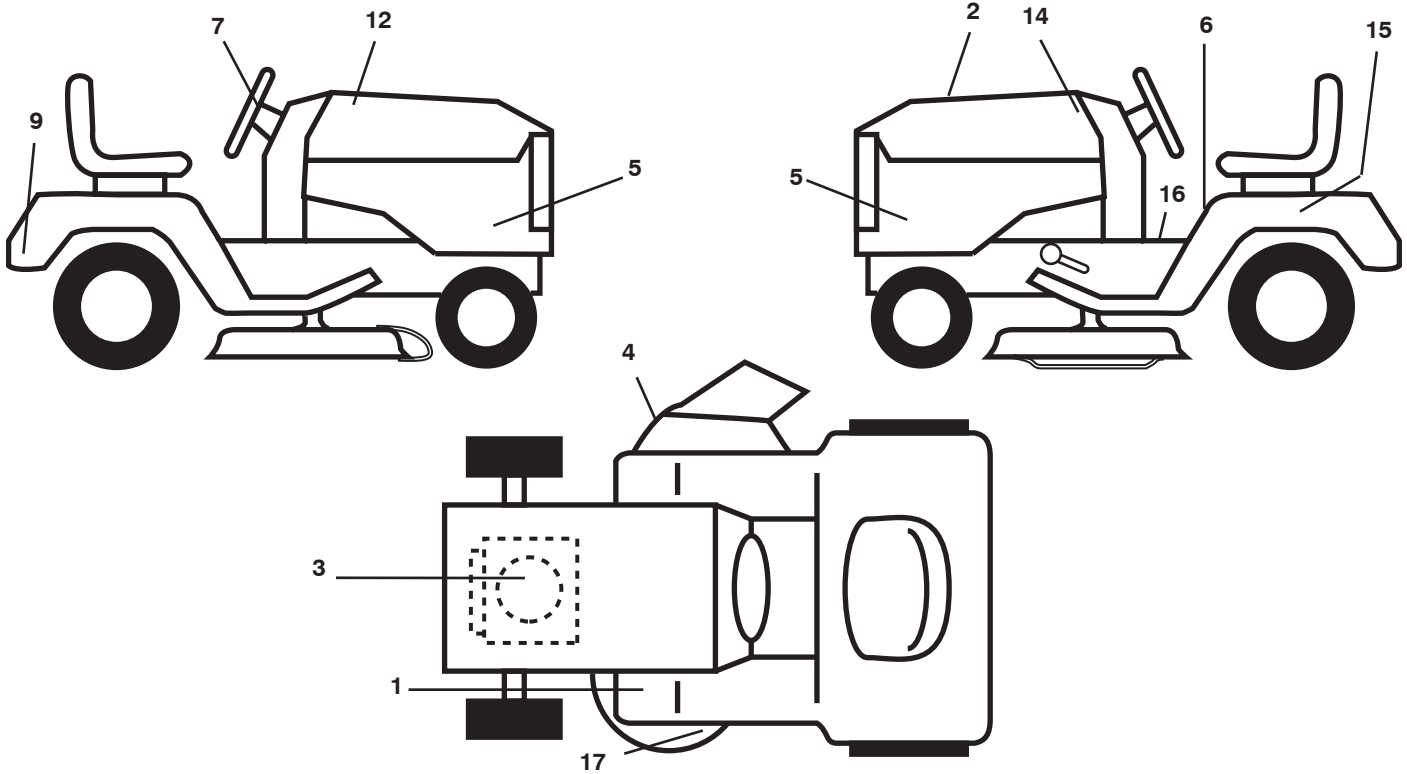
MODEL NO. 96012006800

CUSTOMER CATALOG NO. PO15538LT

PRODUCT NO. 960 12 00-68

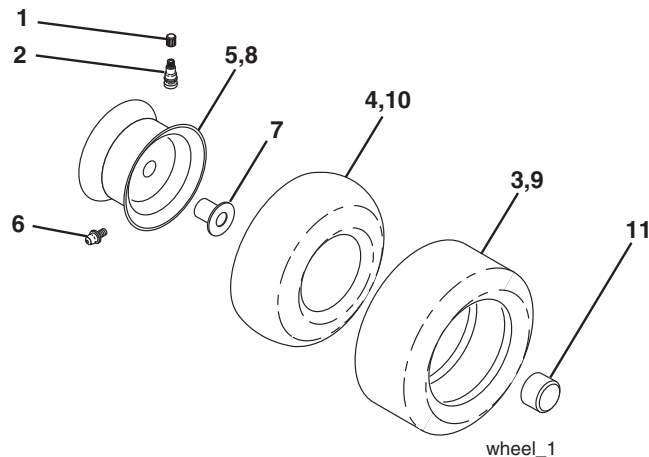
REPAIR PARTS

TRACTOR - - MODEL NUMBER PO15538LT (96012006800), PRODUCT NO. 960 12 00-68
DECALS



KEY NO.	PART NO.	DESCRIPTION	KEY NO.	PART NO.	DESCRIPTION
1	181251	Decal, Clutch Brake	12	194543	Decal, Hood RH
2	196744	Decal, Replacement	14	194544	Decal, Hood LH
3	408817	Decal, Engine HP	15	145005	Decal, Caution, Battery
4	170563	Decal Warning	16	193863	Decal, Oper Sdl P/L Gear Dr Eng
5	188979	Decal, SDPNL	17	194302	Decal, V-Belt Sch.
6	157140	Decal, Fender Danger English	--	138311	Decal, Handle Lft Height Adj.
7	189705	Decal Ins Str Wh	--	411137	Manual, Operator's E&F
9	158166	Decal Fender	--	411138	Manual, Parts E&F

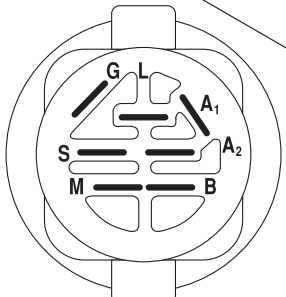
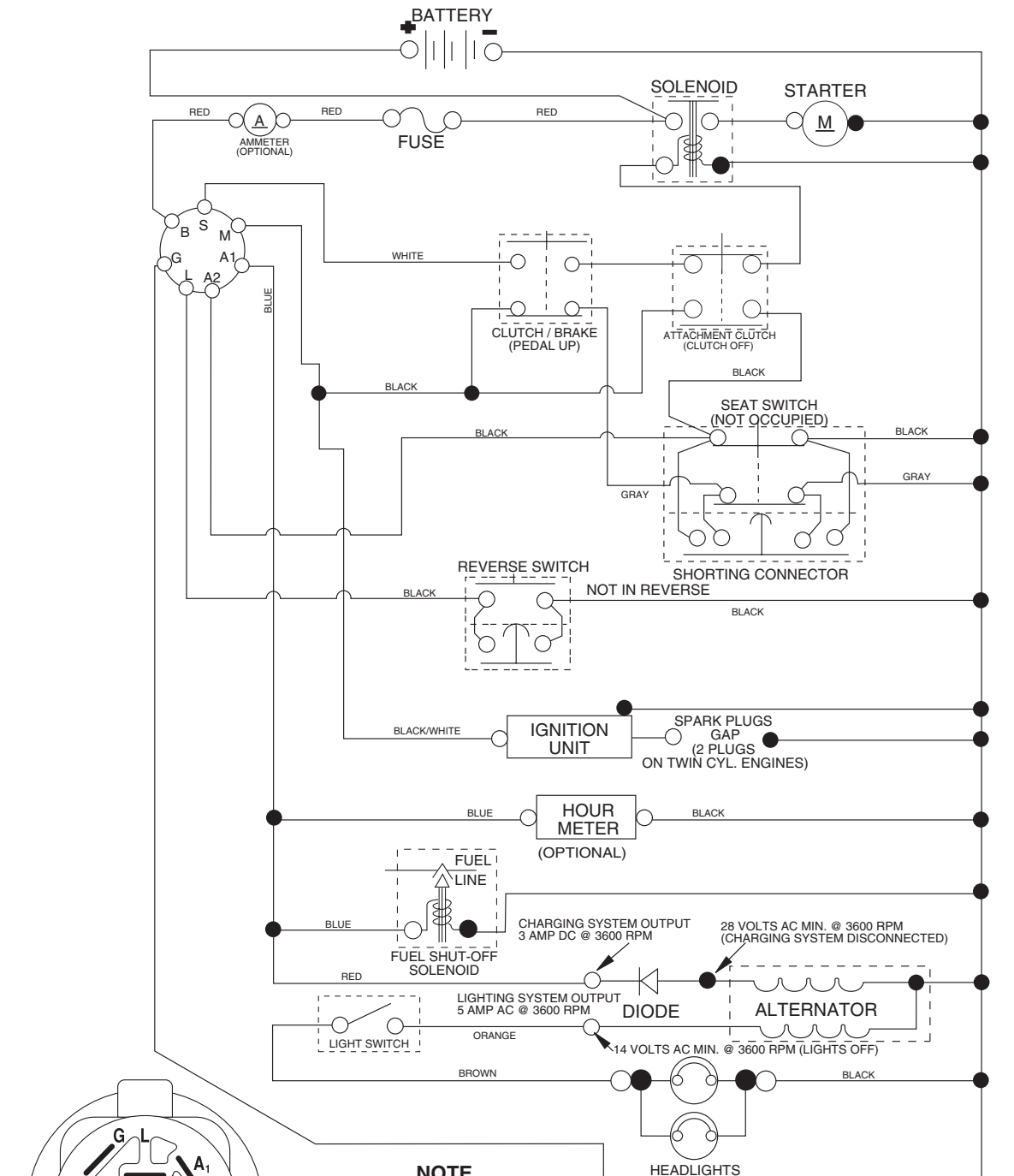
WHEELS & TIRES



KEY NO.	PART NO.	DESCRIPTION
1	59192	Cap, Tire valve
2	65139	Stem, Valve
3	124157X	Tire, Front
4	59904	Tube, Front (Service item only)
5	106732X624	Rim assembly, 6" front
6	278H	Fitting, Grease (Front wheel only)
7	9040H	Bearing, Flange (Front wheel only)
8	106108X624	Rim assembly, 8" rear
9	123969X	Tire, Rear
10	7152J	Tube, Rear (Service item only)
11	104757X428	Cap, Hub Axle
--	144334	Sealant, Tire (10 oz. Tube)

NOTE: All component dimensions given in U.S. inches
1 inch = 25.4 mm

TRACTOR - - MODEL NUMBER PO15538LT (96012006800), PRODUCT NO. 960 12 00-68 SCHEMATIC



IGNITION SWITCH

POSITION	CIRCUIT "MAKE"
OFF	M+G+A1
RUN/OVERRIDE	B+A1
RUN	B+A1 L+A2
START	B + S + A1

NOTE
YOUR TRACTOR IS EQUIPPED WITH A SPECIAL ALTERNATOR SYSTEM. THE LIGHTS ARE NOT CONNECTED TO THE BATTERY, BUT HAVE THEIR OWN ELECTRICAL SOURCE. BECAUSE OF THIS, THE BRIGHTNESS OF THE LIGHTS WILL CHANGE WITH ENGINE SPEED. AT IDLE THE LIGHTS WILL DIM. AS THE ENGINE IS SPEEDED UP, THE LIGHTS WILL BECOME THEIR BRIGHTEST.

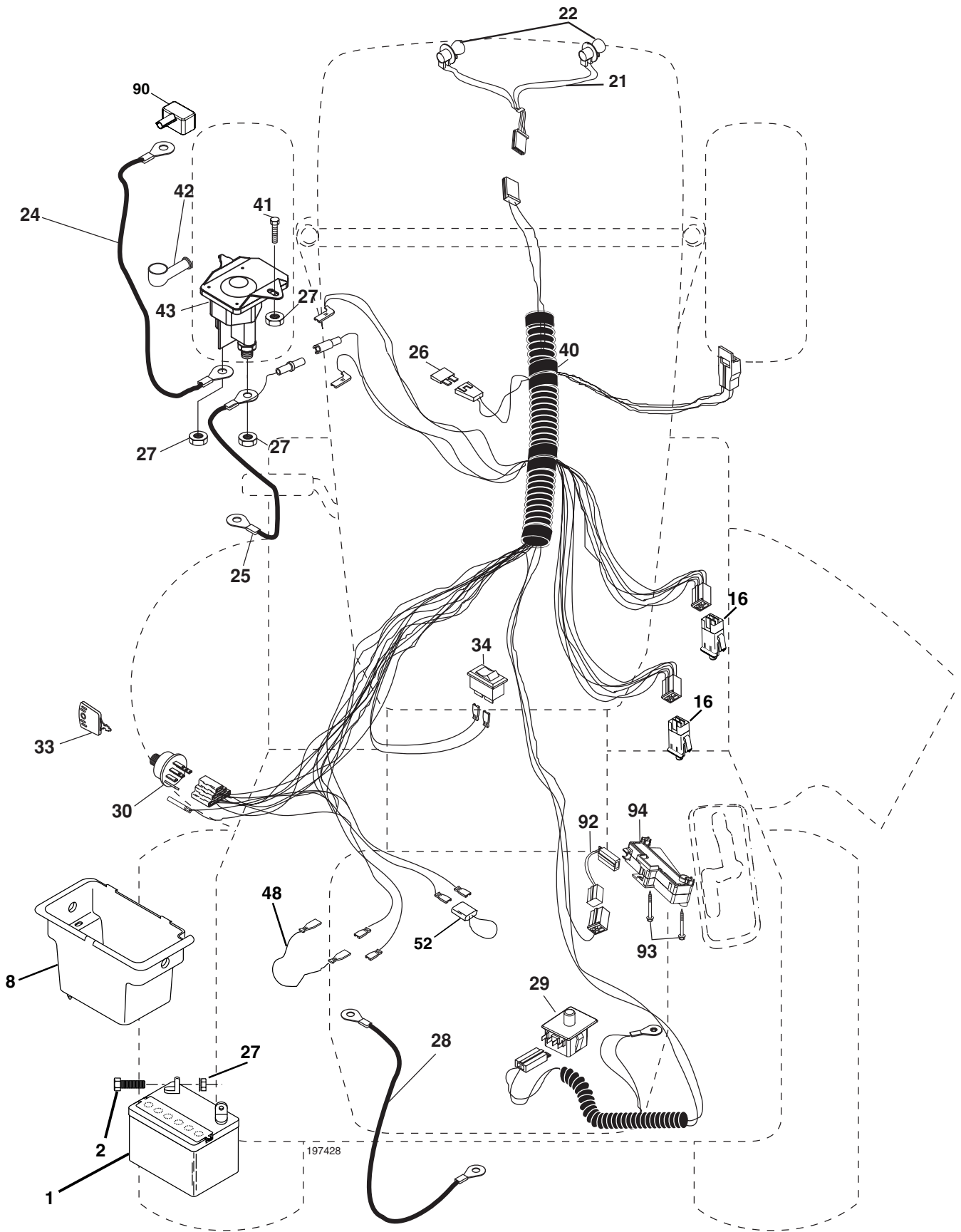


WIRING INSULATED CLIPS
NOTE: IF WIRING INSULATED CLIPS WERE REMOVED FOR SERVICING OF UNIT, THEY SHOULD BE REPLACED TO PROPERLY SECURE YOUR WIRING.

02836

REPAIR PARTS

TRACTOR - - MODEL NUMBER PO15538LT (96012006800), PRODUCT NO. 960 12 00-68
ELECTRICAL



REPAIR PARTS

TRACTOR - - MODEL NUMBER PO15538LT (96012006800), PRODUCT NO. 960 12 00-68
ELECTRICAL

KEY NO.	PART NO.	DESCRIPTION
1	163465	Battery
2	74760412	Bolt Hex Hd 1/4-20 unc x 3/4
8	176689	Box Battery
16	176138	Switch Interlock
21	175688	Harness Asm Light W/4152j
22	4152J	Bulb Light #1156
24	4799J	Cable Battery 6 Ga. 11"red
25	146147	Cable Battery
26	175158	Fuse 20 AMP
27	73510400	Nut Keps Hex 1/4-20 unc
28	4207J	Cable Ground 6 Ga. 12"black
29	192749	Switch
30	193350	Switch Ign
33	140401	Key Ign
34	110712X	Switch Light/Reset
40	197428	Harness Ign
41	71110408	Bolt Blk Fin Hex 1/4-20
42	131563	Cover Terminal Red
43	192507	Solenoid
48	140844	Adapter Ammeter
52	141940	Protection Wire Loop
90	180449	Cover Terminal Battery
92	196615	Harness Pigtail
93	192540	Screw Plastite 10-14 x 2.0
94	191834	Module Reverse

NOTE: All component dimensions given in U. S. inches 1 inch = 25.4 mm.

REPAIR PARTS

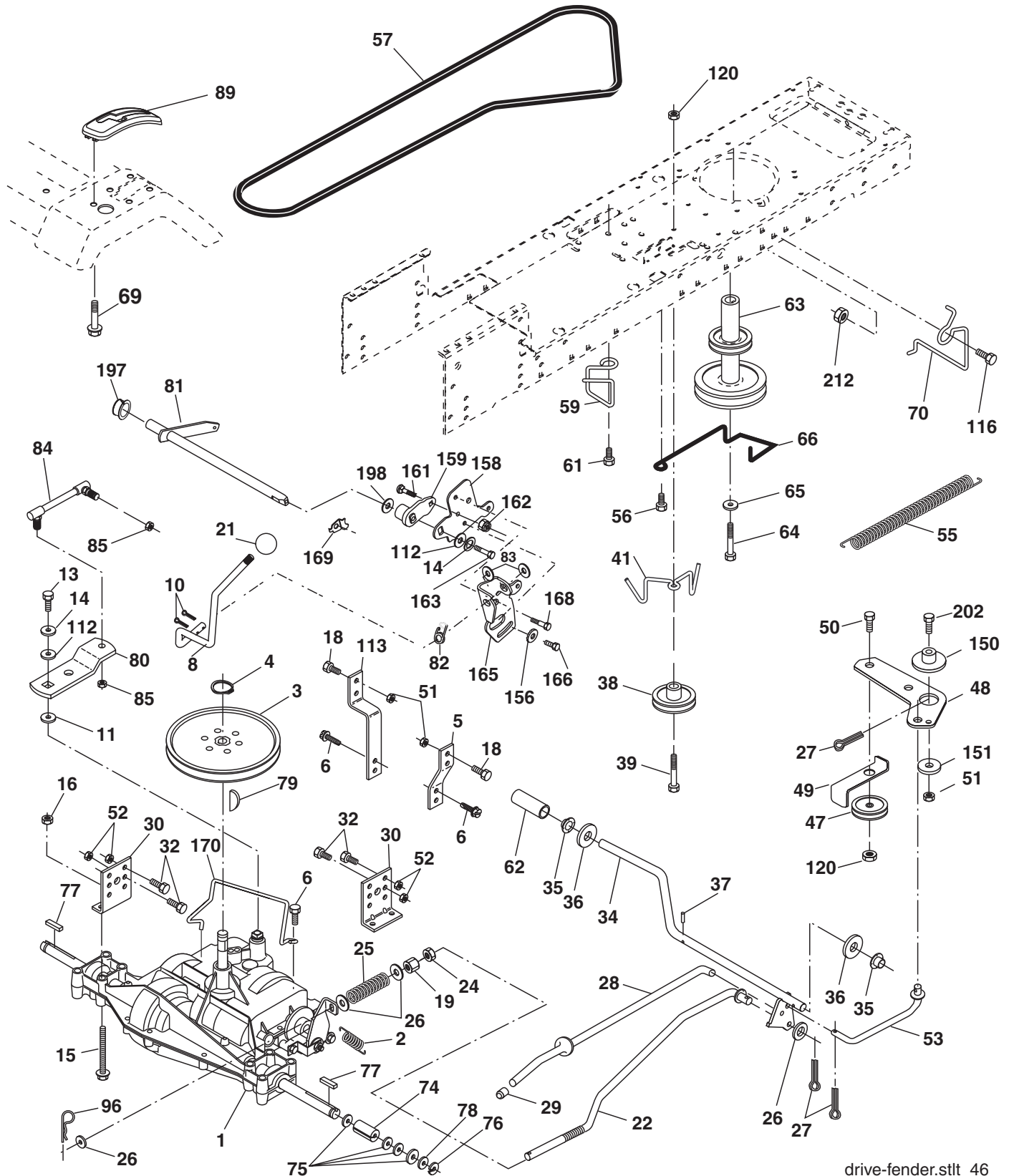
TRACTOR - - MODEL NUMBER PO15538LT (96012006800), PRODUCT NO. 960 12 00-68
CHASSIS

KEY NO.	PART NO.	DESCRIPTION
1	174619	Chassis
2	176554	Drawbar, Stretch
5	155272	Bumper, Hood/Dash
9	193510X010	Dash
10	72140608	Bolt, Carriage 3/8-16 x 1
11	174996	Panel Dash LH
13	172105X010	Panel Silscr Dash RH
17	187559X428	Hood
18	184921	Bumper Hood
24	74780616	Bolt Fin Hex 3/8-16 unc x 1 Gr. 5
25	19131312	Washer 13/32 x 13/16 x 12 Ga.
26	73800600	Nut Lock Hex w/Ins 3/8-16 unc
28	187598	Grille/Lens Asm (Include Key nos. 29 and 212)
29	187567X599	Lens Grille Basic Bar
30	192526X428	Fender
31	136619	Bracket Fender Repl 109873X
33	179716X428	Footrest Pnt LH
34	179717X428	Footrest Pnt RH
35	72110606	Bolt Rdhd Sht Sqnk 3/8-16 x 3/4
37	17490508	Screw Thdrol 5/16-18 x 1/2 TYT
38	175710	Bracket Asm. Pivot Mower
39	187568	Bracket Pivot
64	154798	Dash Lower
142	175702	Plate Reinforcement
145	156524	Rod Pivot Chassis/Hood
205	17490608	Screw Thdrol 3/8-16 x 1/2
206	170165	Bolt Shoulder 5/16-18
207	17670508	Screw Thdrol 5/16-18 x 1/2
208	17670608	Screw Thdrol 3/8-16 x 1/2
209	17000612	Screw Hex Wsh Thdrol 3/8-16
212	187569	Insert Lens Reflect
278	191611	Screw 10 x 3/4 Single Lead-Hex
- -	5479J	Plug Button Blk 359 Dia Choke
- -	187801	Plug Dome Plastic

NOTE: All component dimensions given in U.S. inches
1 inch = 25.4 mm.

REPAIR PARTS

TRACTOR - - MODEL NUMBER PO15538LT (96012006800), PRODUCT NO. 960 12 00-68
DRIVE



drive-fender.stlt_46

REPAIR PARTS

TRACTOR - - MODEL NUMBER PO15538LT (96012006800), PRODUCT NO. 960 12 00-68
DRIVE

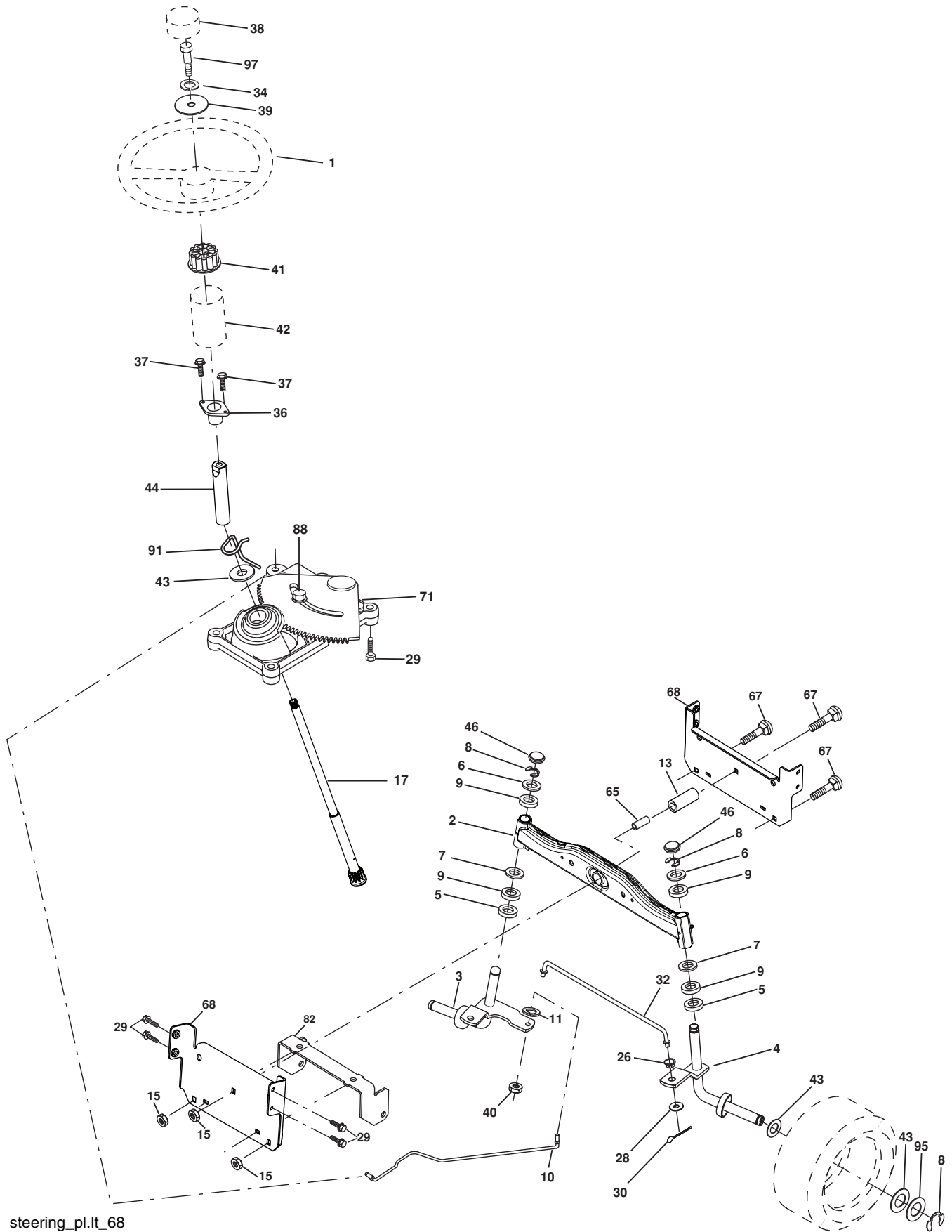
KEY NO.	PART NO.	DESCRIPTION	KEY NO.	PART NO.	DESCRIPTION
1	-----	Transaxle Peerless (205-544C) (Order parts from transaxle manufacturer)	62	8883R	Cover Pedal Blk Round
2	146682	Spring Return Brake T/a Zinc	63	175410	Engine Pulley
3	123666X	Pulley Transaxle 18" tires	64	173937	Bolt Hex
4	12000028	Ring Retainer # 5100-62	65	10040700	Washer Lock Hvy Hlcl Spr 7/16
5	121520X	Strap Torque 30 Degrees	66	154778	Keeper Belt Engine Foolproof
6	17060512	Screw 5/16-18 x 3/4	69	142432	Screw Hex wsh HiLo 1/4 x 1/2 unc
8	192706	Rod Shift Fender Adjust Lt	70	134683	Guide Belt Mower Drive RH
10	76020416	Pin Cotter 1/8 x 1 Cad	74	137057	Spacer Axle
11	105701X	Washer Plate Shf 388 Sq Hole	75	121749X	Washer 25/32 x 1 1/4 x 16 Ga.
13	74550412	Bolt 1/4-28 unF Gr. 8 W/Patch	76	12000001	E-ring #5133-75
14	10040400	Washer Lock Hvy Helical	77	123583X	Key Square 2 0 x 1845/ 1865
15	74490544	Bolt Hex FLGHD 5/16-18 Gr. 5	78	121748X	Washer 25/32 x 1-5/8 x 16 Ga.
16	73800500	Nut Lock Hex w/ins 5/16-18	79	2228M	Key Woodruff #9 3/16 x 3/4
18	74780616	Bolt, Fin Hex 3/8-16 unc x 1 Gr. 5	80	131486	Arm Shift
19	73800600	Nut Lock 3/8-16 unc	81	165594	Shaft Asm Cross Tapered PMST/20
21	106933X	Knob	82	165711	Spring Torsion T/a
22	130804	Rod Brake Blk Zinc 26 840	83	19171216	Washer 17/32 x 3/4 x 16 Ga.
24	73350600	Nut Hex Jam 3/8-16 unc	84	166228	Link Transaxle Dana/18" Zinc
25	106888X	Spring Rod Brake 2 00 Zinc	85	150360	Nut Lock Center 1/4 - 28 FNTHD
26	19131316	Washer 13/32 x 13/16 x 16 Ga.	89	192054X428	Console Shift STLT
27	76020412	Pin Cotter 1/8 x 3/4 Cad	96	4497H	Retainer Spring 1"
28	175765	Rod Brake Parking LT/YT	112	19091210	Washer 9/32 x 3/4 x 10 Ga.
29	71673	Cap Brake Parking	113	127285X	Strap Torque LT
30	174973	Bracket Mtg Transaxle	116	72140608	Bolt Rdhd Sq Neck 3/8-16 x 1
32	74760512	Bolt Hex Hd 5/16-18 unc x 3/4	120	73900600	Nut Lock Flg. 3/8-16 unc
34	175578	Shaft Asm Pedal Foot	150	175456	Spacer Retainer
35	120183X	Bearing Nylon Blk 629 Id	151	19133210	Washer 13/32 x 2 x 10
36	19211616	Washer 21/32 x 1 x 16 Ga.	156	166002	Washer Srrted 5/16ID x 1.125
37	1572H	Pin Roll 3/16 x 1"	158	165589	Bracket Shift Mount
38	179114	Pulley Composite Flat	159	183900	Hub Tapered Flange Shift Lt
39	72110622	Bolt RDHD 3/8-16 unc x 2-3/4 Gr. 5	161	72140406	Bolt Rdhd Sqnk 1/4-20 x 3/4
41	175556	Keeper Belt Flat Idler	162	73680400	Nut Crownlock 1/4-20 unc
47	127783	Pulley Idler V Groove Plastic	163	74780416	Bolt Hex Fin 1/4-20 unc x 1 Gr. 5
48	154407	Bellcrank Asm	165	165623	Bracket Pivot Lever
49	123205X	Retainer Belt Style Spring	166	17490510	Screw 5/16-18 x 5/8
50	72110612	Bolt Carr. Sh. 3/8-16 x 1-1/2 Gr. 5	168	165492	Bolt Shoulder 5/16-18 x .561
51	73680600	Nut Crownlock 3/8-16 unc	169	165580	Plate Fastening
52	73680500	Nut Crownlock 5/16-18 unc	170	187414	Keeper Belt Transaxle Gear
53	199652	Link Clutch	197	169613	Nyliner Snap-In
55	105709X	Spring Return Clutch 6 75	198	169593	Washer Nyliner
56	17060620	Screw 3/8-16 x 1-1/4	202	72110614	Bolt RdHd 3/8-16 unc x 1-3/4 Gr. 5
57	138255	V-Belt Ground Drive 95 30	212	145212	Nut Hexflange Lock
59	169691	Keeper Belt Span Ctr			
61	17120614	Screw 3/8-16 x .875			

NOTE: All component dimensions given in U.S. inches
1 inch = 25.4 mm

REPAIR PARTS

TRACTOR - - MODEL NUMBER PO15538LT (96012006800), PRODUCT NO. 960 12 00-68

STEERING



steering_pl.ft_68

REPAIR PARTS

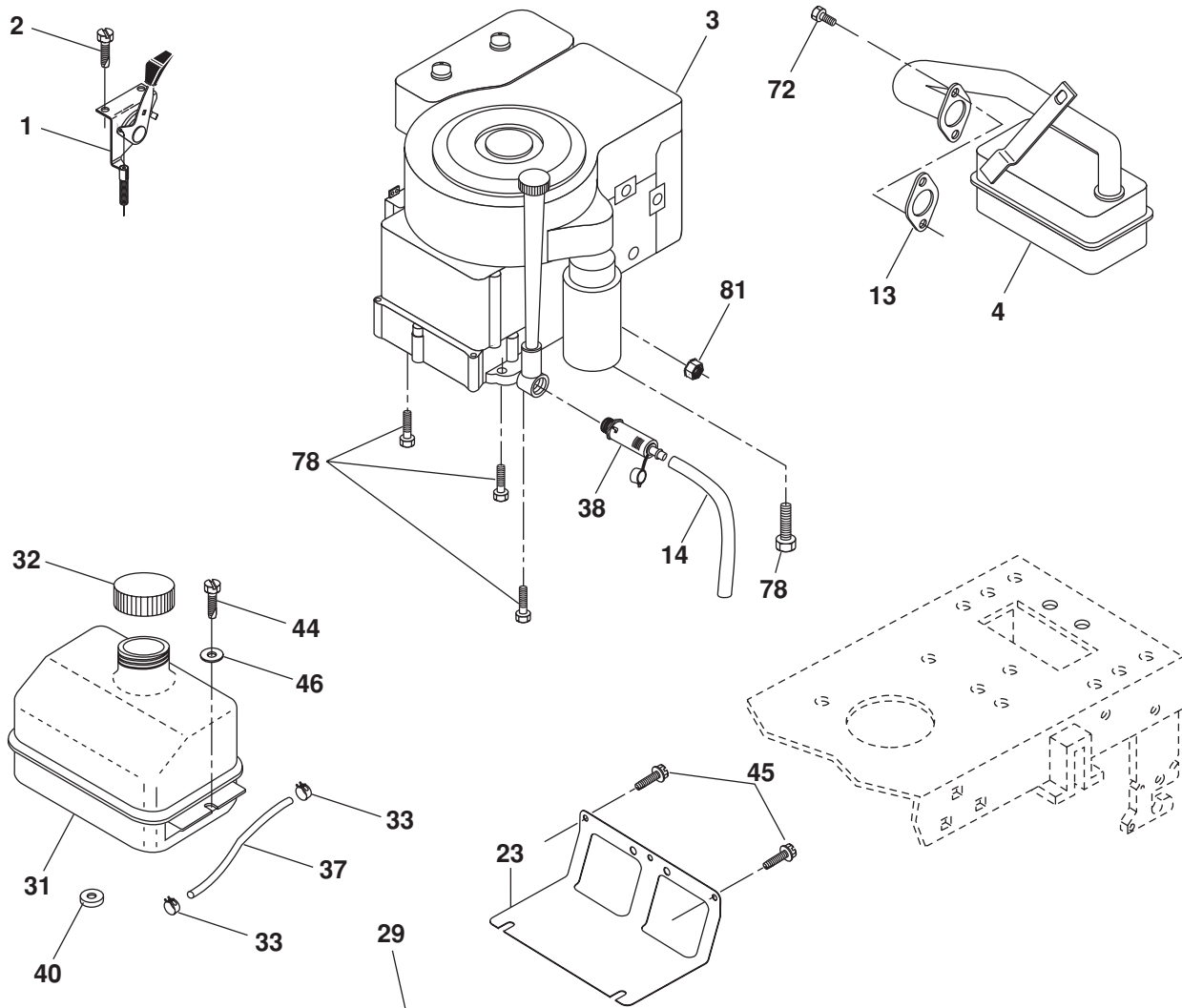
TRACTOR - - MODEL NUMBER PO15538LT (96012006800), PRODUCT NO. 960 12 00-68
STEERING

KEY NO.	PART NO.	DESCRIPTION
1	186780	Wheel Steering
2	195673	Axle Asm
3	169840	Spindle Asm LH
4	169839	Spindle Asm RH
5	6266H	Bearing Race Thrust Harden
6	121748X	Washer 25/32 x 1-5/8 x 16 Ga.
7	19272016	Washer 27/32 x 1-1/4 x 16 Ga.
8	12000029	Ring Klip #t5304-75
9	3366R	Bearing Col Strg Blk
10	175121	Link Drag
11	10040600	Washer Lock Hvy Hlcl Spr 3/8
13	136518	Spacer earing Axle Front
15	145212	Hexflange Lock
17	190753	Shaft Asm Strg
26	126847X	Bushing Link Drag Blk LR
28	19131416	Washer 13/32 x 7/8 x 16 Ga.
29	17000612	Screw 3/8-16 x 3/4
30	76020412	Pin Cotter 1/8 x 3/4 Cad
32	192757	Rod Tie Wire Form 19 75 Mech
34	10040500	Washer Lock Hvy Hlcl Spr 5/16
36	155099	Bushing Strg 5/8 Id Dash
37	152927	Screw
38	192916	Cap Wheel Steer Ayp
39	19113812	Washer 11/32 ID x 2-3/8 OD x 12 Ga.
40	73540600	Nut Crownlock 3/8-24
41	186737	Adaptor Wheel Strg
42	145054X428	Boot Dash Mtl Steering Blk
43	121749X	Washer 25/32 x 1 1/4 x 16 Ga.
44	190752	Extension Steering
46	121232X	Cap Spindle Fr Top Blk
65	160367	Spacer Brace Axle
67	72110618	Bolt RDHD SQNK 3/8-16 x 2-1/4
68	169827	Brace Axle
71	175146	Steering Asm.
82	199978	Bracket Susp Chassis Front
88	175118	Bolt Shoulder 7/16-20
91	175553	Clip Steering
95	188967	Washer Harden .793 x 1.637 x 060
97	74780564	Bolt 5/16-18 unc x 4"L Hlcl Spr. 5/16

NOTE: All component dimensions given in U.S. inches
1 inch = 25.4 mm.

REPAIR PARTS

TRACTOR - - MODEL NUMBER PO15538LT (96012006800), PRODUCT NO. 960 12 00-68
ENGINE



OPTIONAL EQUIPMENT
Spark Arrester

engine-bs.1cyl_49

REPAIR PARTS

TRACTOR - - MODEL NUMBER PO15538LT (96012006800), PRODUCT NO. 960 12 00-68
ENGINE

KEY NO.	PART NO.	DESCRIPTION
1	170551	Control Th/ch Flag
2	17720408	Screw Hex Thd Cut 1/4-20 x 1/2
3	-----	Engine, B&S 282H07 (Order parts from engine manufacturer)
4	137352	Muffler Exhaust B&S
13	165291	Gasket Eng 1 313 Id Tin Plated
14	148456	Tube Drain Oil Easy
23	169837	Shield BRN/DBR Guard
29	137180	Kit Spark Arrestor (Flat Scrn)
31	407516	Tank Fuel Front
32	197725	Cap Asm Fuel
33	123487X	Clamp Hose
37	401137	Line Fuel 20"
38	181654	Plug Drain Oil
40	124028X	Bushing Snap Nyl Blk Fuel Line
44	17670412	Screw Thdrol 1/4-20 x 3/4

KEY NO.	PART NO.	DESCRIPTION
45	17000612	Screw Hex Wsh Thdrol 3/8-16
46	19091416	Washer 9/32 x 7/8 x 16 Ga.
72	192334	Screw Socket Hd 5/16-18 x .75
78	17060620	Screw 3/8-16 x 1-1/4
81	73510400	Nut Keps Hex 1/4-20 unc

NOTE: All component dimensions given in U.S. inches
1 inch = 25.4 mm

For engine service and replacement parts, call the toll free number for your engine manufacturer listed below:

Briggs & Stratton	1-800-233-3723
Kohler Co.	1-800-544-2444
Tecumseh Products	1-800-558-5402
Honda Engines	1-800-426-7701
Kawasaki	1-949-460-5688

Engine Power Rating Information

The gross power rating for individual gas engine models is labeled in accordance with SAE (Society of Automotive Engineers) code J11940 (Small Engine Power & Torque Rating Procedure), and rating performance has been obtained and corrected in accordance with SAE J1995 (Revision 2002-5). Actual gross engine power will be lower and is affected by, among other things, ambient operating conditions and engine-to-engine variability. Given both the wide array of products on which engines are placed and the variety of environmental issues applicable to operating the equipment, the gas engine will not develop the rated gross power when used in a given piece of power equipment (actual "on-site" or net horsepower). This difference is due to a variety of factors including, but not limited to, accessories (air cleaner, exhaust, charging, cooling, carburetor, fuel pump, etc.), application limitations, ambient operating conditions (temperature, humidity, altitude), and engine-to-engine variability. Due to manufacturing and capacity limitations, Briggs & Stratton may substitute an engine of higher rated power for this Series engine.

REPAIR PARTS

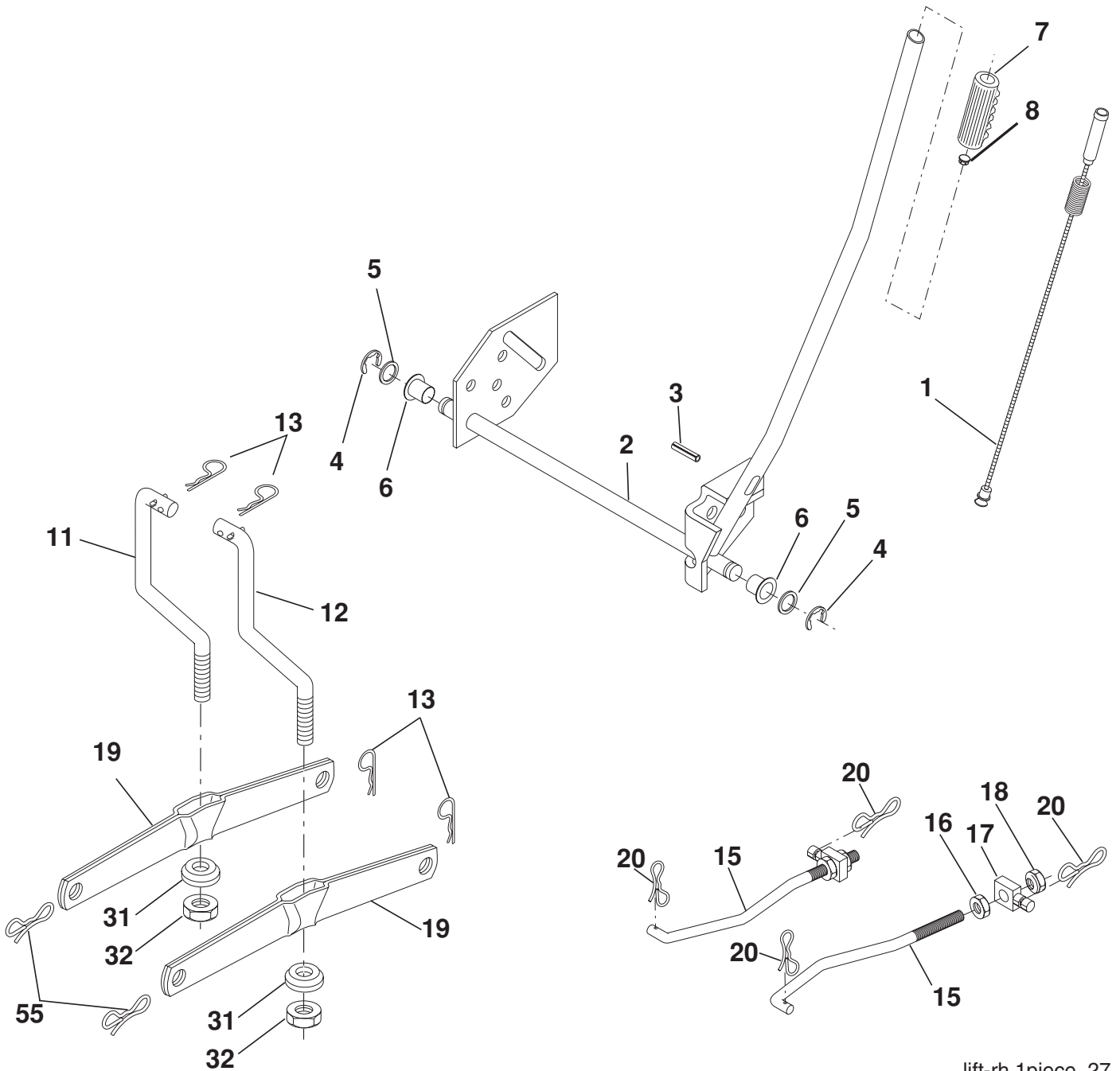
TRACTOR - - MODEL NUMBER PO15538LT (96012006800), PRODUCT NO. 960 12 00-68
MOWER DECK

KEY NO.	PART NO.	DESCRIPTION	KEY NO.	PART NO.	DESCRIPTION
1	192556	Mower Housing Assembly	72	193216	Spring Brake Return
2	72140506	Bolt Carriage 5/16-18 x 3/4	89	19131311	Washer 13/32 x 13/16 x 11 Ga.
3	138017	Bracket Asm Fr. Sway Bar	107	133502	Spacer Retainer
4	192568	Bracket Deck Sway Bar 38"/42"	108	133503	Stiffener, Idler Arm
5	4939M	Retainer Spring	122	410189	Rod, Brake LH
6	178024	Bar Sway Deck	123	410190	Rod, Brake RH
8	193003	Bolt 3/8-24 x 1.25 Gr. 8	144	193414	Keeper Belt Idler Tension
11	193957	Blade Mower	148	169022	Spring Return Idler
13	192872	Shaft Assembly, Mandrel, Vented (Includes Key Number 6)	149	165898	Retainer Spring Yellow
14	187281	Housing, Mandrel, Vented	150	19091210	Washer 9/32 x 3/4 x 10 Ga.
15	110485X	Bearing, Ball, Mandrel	152	193235	Clutch Cable 38"
18	72140505	Blade Rdhd Sqnk 5/16-18 x 5/8	158	17720408	Screw Hex Thd Cut 1/4-20 x 1/2
19	132827	Bolt, Shoulder	185	188234	Head Asm Cable Clutch
20	400095	Baffle Vortex Front	186	17490644	Screw Hex Wsh Thdrol 3/8-16 x 2-3/4
21	73680500	Nut	187	193412	Keeper Belt M Shape
23	192557	Bracket, Mower Deflector	188	165891	Bolt Carriage Idler
24	105304X	Cap, Sleeve	189	192559	Brake Stand
25	197026	Spring, Torsion, Deflector	190	192560	Brake Arm
26	110452X	Nut, Push	191	192561	Brake Spacer
27	192572X428	Shield, Deflector	193	193413	Keeper Belt Rh Mandrel
29	131491	Rod, Hinge	194	194105	Brake Guard
30	173984	Screw Thdrol.	195	19133210	Washer 13/32 x 2 x 10 Ga.
31	187690	Washer, Spacer	196	192558	Brake Assembly
32	153532	Pulley, Mandrel	--	192870	Mandrel Assembly (Includes Housing, Shaft and Shaft Hardware Only - Pulley Not Included)
33	400234	Nut, Toplock	--	193646	Replacement Mower, Complete
36	131494	Pulley, Idler, Flat			
37	193198	Pulley, Idler Flat			
40	73680600	Nut, Crownlock 3/8-16 unc			
45	4497H	Retainer			
55	133840	Idler Arm Assembly			
56	165723	Spacer, Retainer			
67	106932X	Knob			
68	193214	V-Belt			

NOTE: All component dimensions given in U.S. inches
1 inch = 25.4 mm

REPAIR PARTS

TRACTOR - - MODEL NUMBER PO15538LT (96012006800), PRODUCT NO. 960 12 00-68
MOWER LIFT



lift-rh.1piece_27

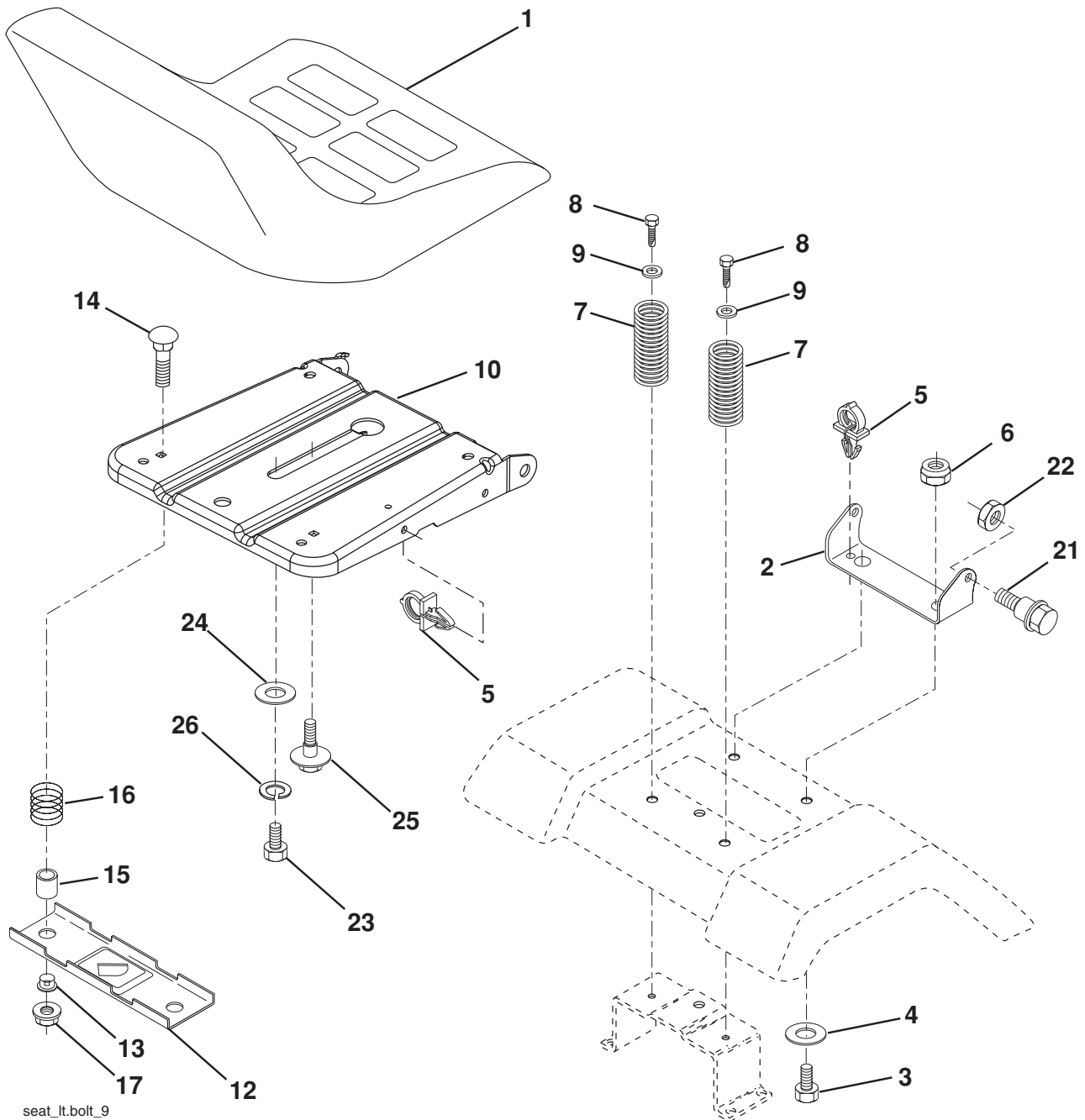
KEY NO.	PART NO.	DESCRIPTION
1	159460	Wire Asm Inner/Sprg w/plunger
2	159471	Shaft Asm Lift RH
3	105767X	Pin Groove 1 500 Zinc
4	12000002	E Ring #5133-62
5	19211621	Washer 21/32 x 1 x 21 Ga.
6	120183X	Bearing Nylon Blk 629 Id
7	109413X	Grip Handle Bicycle Matte Blk
8	124526X	Button Plunger Black
11	139865	Link Lift LH Fixed Length
12	139866	Link Lift RH Fixed Length
13	4939M	Retainer Spring

KEY NO.	PART NO.	DESCRIPTION
15	173288	Link Front
16	73350800	Nut Jam Hex 1/2-13 unc
17	175689	Trunnion
18	73800800	Nut Lockw/Wsh 1/2-13 unc
19	139868	Arm Suspension Rear
20	194209	Pin Cotter 7/16 Bow Tie Lock
31	169865	Bearing Pvt Lift
32	73540600	Nut Crownlock 3/8-24
55	194208	Pin Cotter 5/16 Bow Tie Lock

NOTE: All component dimensions given in U.S. inches
1 inch = 25.4 mm.

REPAIR PARTS

TRACTOR - - MODEL NUMBER PO15538LT (96012006800), PRODUCT NO. 960 12 00-68
SEAT



seat_lt.bolt_9

KEY NO.	PART NO.	DESCRIPTION	KEY NO.	PART NO.	DESCRIPTION
1	401042	Seat	14	72050412	Bolt Rdhd Sht Nk 1/4 - 20 x 1 - 1/2
2	140551	Bracket Seat Pivot	15	134300	Spacer Split .28 x .96
3	71110616	Bolt Hex 3/8 - 16 x 1	16	121250X	Spring Cprsn
4	19131610	Washer 13/32 x 1 x 10 Ga.	17	123976X	Nut Lock 1/4 Lge Flg
5	145006	Clip Push-In Hinged	21	171852	Bolt Shoulder 5/16-18 unc-2A
6	73800600	Nut Lock Hex w/Ins 3/8 - 16	22	73800500	Nut Lock Hex w/Ins 5/16 - 18
7	124181X	Spring Seat Cprsn 2 250 Blk Zi	23	71110814	Bolt Hex
8	17000616	Screw 3/8-16 x 1.5	24	19171912	Washer 17/32 x 1-3/16 x 12 Ga.
9	19131614	Washer 13/32 x 1 x 14 Ga.	25	127018X	Bolt Shoulder 5/16-18 x .62
10	195530	Pan Asm. Seat	26	10040800	Washer Lock Hvy Hlcl Spr 1/2
12	174648	Bracket Pnt Mounting Switch			
13	121248X	Bushing Snap Blk Nyl			

NOTE: All component dimensions given in U.S. inches
1 inch = 25.4 mm.

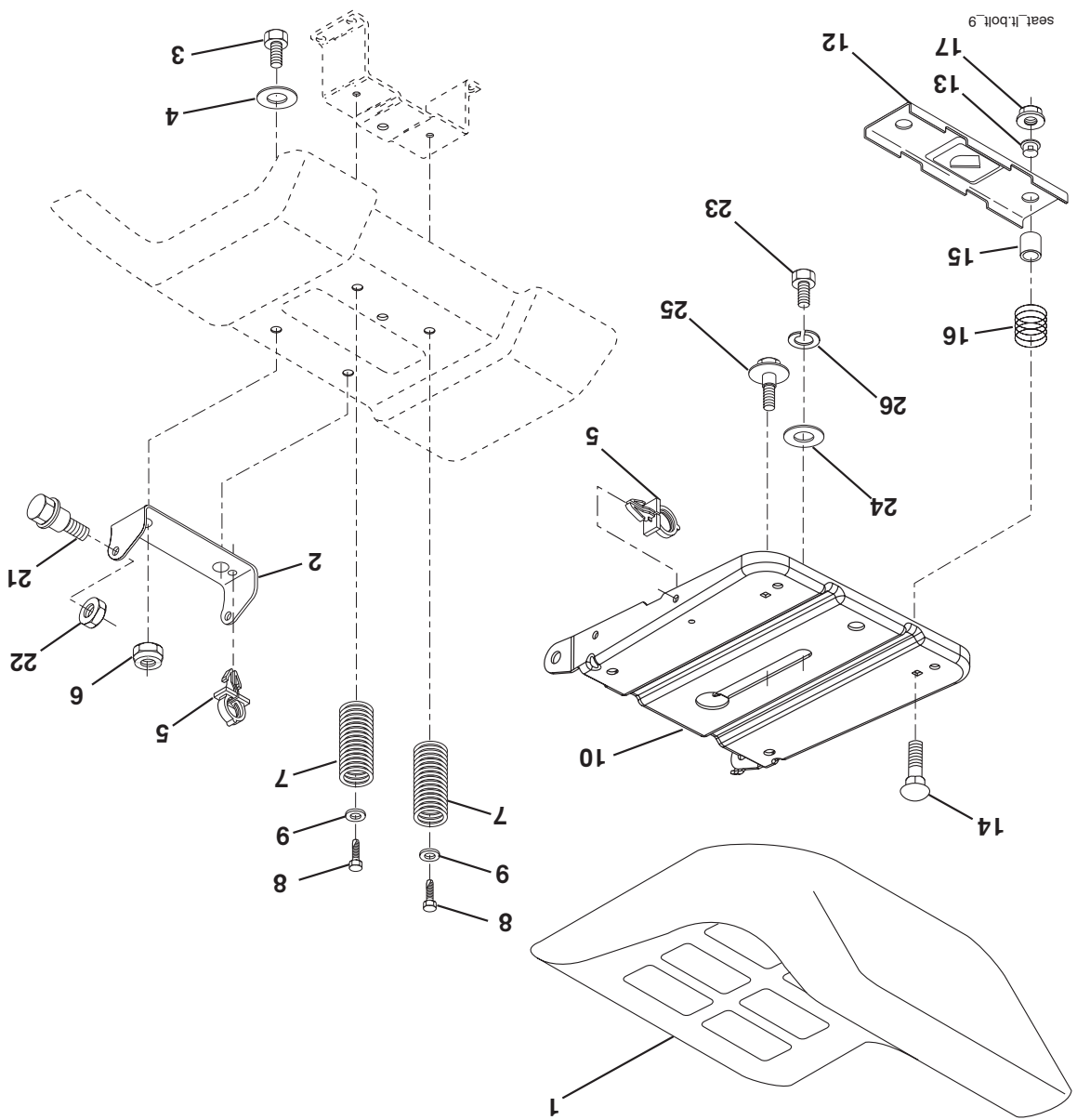
SERVICE NOTES

NOTES D'ENTRETIEN

PIÈCES DE RECHANGE

TRACTEUR -- NO. DE MODELE PO15538LT (96012006800), NO. DE PRODUIT 960 12 00-68

ENSEMBLE DU SIÈGE



NO. DE PIÈCE	DESCRIPTION
1	Siège
2	Support de pivot de siège
3	Boulon
4	Rondelle 13/32 x 3/4 x 10 Ja.
5	Collier pressé
6	Écrou
7	Ressort de compression de siège
8	Vis 3/8-16 x 1,5
9	Rondelle 13/32 x 1 x 14 Ja.
10	Cuvette de siège
11	195530
12	Support de montage de l'interrupteur
13	121248X

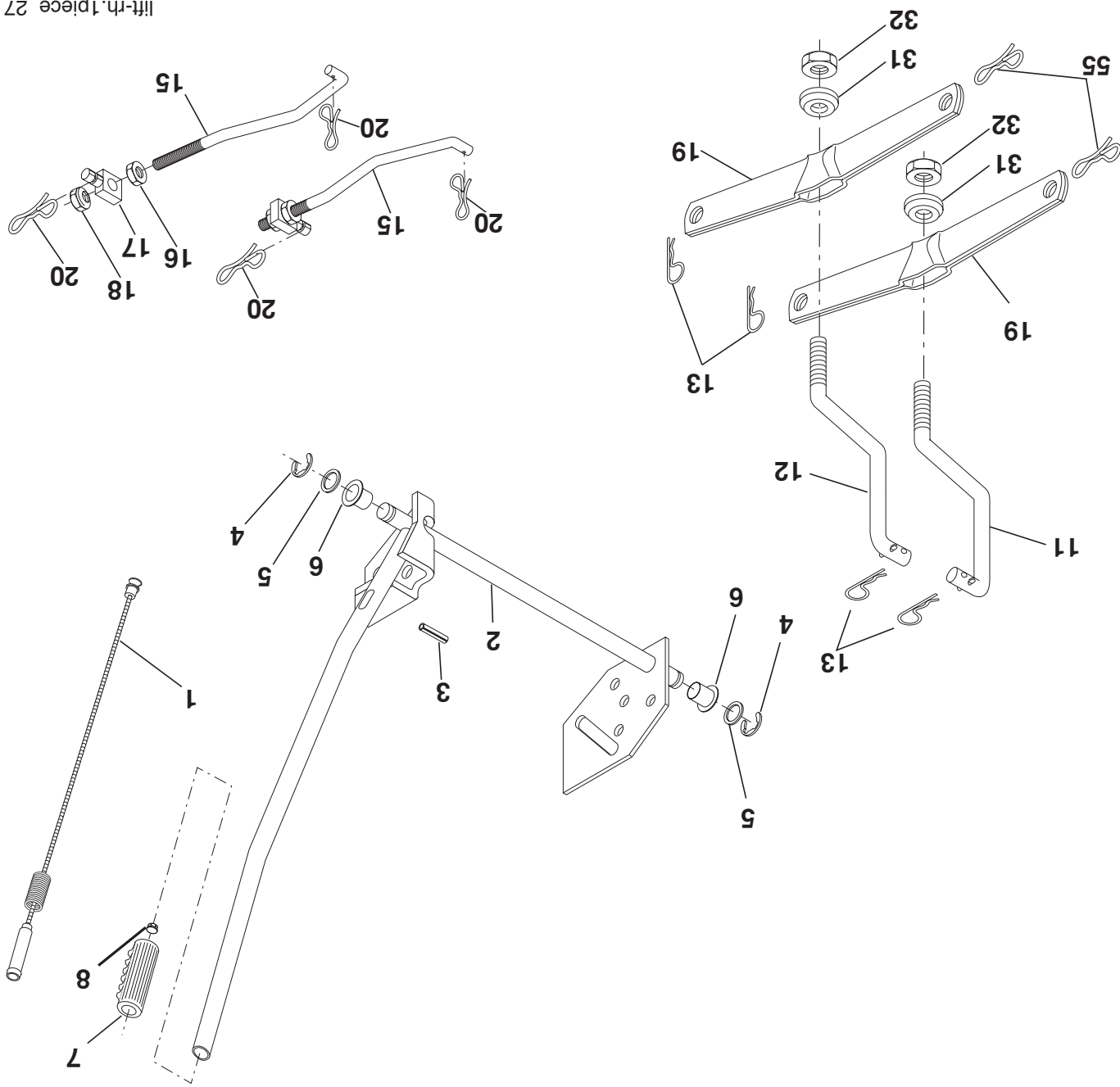
NO. DE PIÈCE	DESCRIPTION
14	Boulon de chariot 1/4-20 x 1-1/2
15	Entroise fendue
16	Ressort de compression
17	Écrou frein à bride grande 1/4 Cat. 5
21	Boulon à épaulement 5/16-18 unc-2A
22	Écrou
23	Boulon H
24	Rondelle 17/32 x 1-3/16 x 12 Ja.
25	Boulon à épaulement 5/16-18 x 62
26	Rondelle frein

REMARQUE: Toutes les dimensions de composant sont données en pouces E.-U. -- 1 pouce = 25,4 mm.

PIÈCES DE REMPLACEMENT

TRACTEUR -- NO. DE MODÈLE P015538LT (96012006800), NO. DE PRODUIT 960 12 00-68

LEVAGE DE TONDEUSE



lift-rh.1piece_27

NO. DE PIÈCE	DESCRIPTION	NO. DE PIÈCE	DESCRIPTION
1	Ensemble du fil intérieur du levier de levage	159460	Ensemble du fil intérieur du levier de levage
2	Ensemble de l'arbre de levage	159471	Ensemble de l'arbre de levage
3	Goupille cannelée	105767X	Goupille cannelée
4	Bague en E n°5133-62	12000002	Bague en E n°5133-62
5	Rondelle 21/32 x 1 x 21 Ja.	19211621	Rondelle 21/32 x 1 x 21 Ja.
6	Palier en Nylon	120183X	Palier en Nylon
7	Poignée cannelée du levier	109413X	Poignée cannelée du levier
8	Bouton de plongeur	124526X	Bouton de plongeur
11	Raccord de levage C.G.	139865	Raccord de levage C.G.
12	Raccord de levage C.D.	139866	Raccord de levage C.D.
13	Ressort de retenue	4939M	Ressort de retenue

NO. DE PIÈCE	DESCRIPTION	NO. DE PIÈCE	DESCRIPTION
15	Raccord antérieur	173288	Raccord antérieur
16	Contre-écrou H 1/2-13 unc	7350800	Contre-écrou H 1/2-13 unc
17	Touillon	175689	Touillon
18	Écrou frein 1/2-13 unc	73800800	Écrou frein 1/2-13 unc
19	Bras de suspension arrière	139868	Bras de suspension arrière
20	Goupille fendue 7/16	194209	Goupille fendue 7/16
31	Palier de pivot de levage	169865	Palier de pivot de levage
32	Écrou auto-serrant 3/8-24	73540600	Écrou auto-serrant 3/8-24
55	Goupille fendue 5/16	194208	Goupille fendue 5/16

REMARQUE: Toutes les dimensions de composant sont données en pouces E.-U. - - 1 pouce = 25,4 mm.

PIÈCES DE RECHANGE

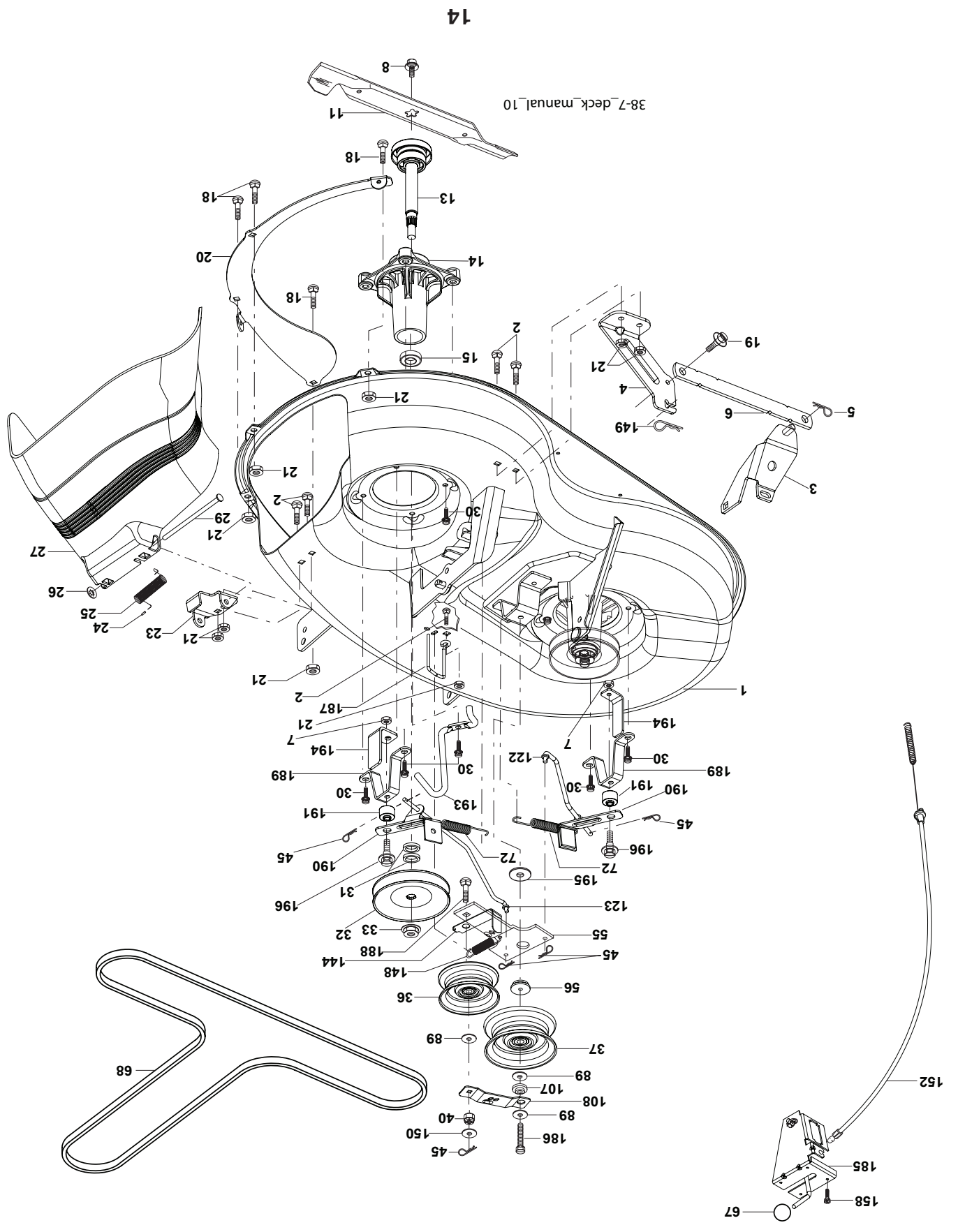
TRACTEUR -- NO. DE MODELE PO15538LT (96012006800), NO. DE PRODUIT 960 12 00-68

CARTER DE TONDEUSE

NO. DE PIÈCE	DESCRIPTION	NO. DE PIÈCE	DESCRIPTION
1	192556 Ensemble du carter	68	193214 Courroie trapézoïdale de tondeuse
2	72140506 Boulon de chariot 5/16-18 unc x 3/4	72	193216 Ressort de rappel du frein
3	138017 Support de l'ensemble de la barre de non mouvement antérieure	89	19131311 Rondelle 13/32 x 13/16 x 11 Ja.
4	192568 Support de l'ensemble de la barre de non mouvement du carter	108	133503 Bras du galet-tendeur du raidisseur
5	4939M Ressort de retenue	107	133502 Ressort de retenue
6	178024 Bras de suspension	144	193414 Guide-courroie du galet-tendeur
8	193003 Boulon 3/8-24 x 1,25 Cat. 8	148	169022 Ressort de retenue
11	193957 Lame	149	165898 Ressort de retenue
13	192872 Ensemble de l'arbre avec palier inférieur	150	19091210 Rondelle 9/32 x 3/4 x 10 Ja.
14	187281 Boîtier du mandrin ventilé	152	192325 Câble d'embrayage
15	110485X Roulement à billes du mandrin	158	17720408 Vis H 1/4-20 x 1/2
19	132827 Boulon à épaulement	185	188234 Câble
20	400095 Chicane	186	17490644 Vis H 3/8-16 x 2-3/4
21	73680500 Ecroû auto-serrant 5/16-18 unc	187	193412 Guide-courroie
23	192557 Support du déflecteur de la tondeuse	188	165891 Boulon
24	105304X Chapéau du manchon 80 x 112	189	192559 Support
25	197026 Ressort de torsion du déflecteur	190	192560 Levier de frein
26	110452X Rondelle frein	191	192561 Entretoise
27	192572X428 Déflecteur de décharge	193	193413 Guide-Courroie
29	131491 Tige de charnière	194	194105 Protection
30	173984 Vis	195	19133210 Rondelle 13/32 x 2 x 10 Ja.
31	187690 Rondelle d'entretoise de tondeuse	196	192558 Ensemble du jeu de frein
32	153532 Poulie du mandrin	--	192870 Ensemble du mandrin (il compris seulement du carter, de l'axe et de la quincaillette de l'axe. La poulie n'est pas comprise)
33	400234 Ecroû frein à bride en haut	--	193646 Carter de tondeuse complète
36	131494 Poulie du galet-tendeur plat 3 060		
37	193198 Poulie du galet-tendeur plat		
40	73680600 Ecroû auto-serrant 3/8-16 unc		
45	4497H Ressort de retenue		
55	133840 Bras du galet-tendeur		
56	165723 Entretoise de retenue		
67	106932X Boulon		

REMARQUE: Toutes les dimensions de composant sont données en pouces E.U. -- 1 pouce = 25,4 mm.

PIÈCES DE RECHANGE
TRACTEUR -- NO. DE MODÈLE P01538LT (96012006800), NO. DE PRODUIT 960 12 00-68
CARTER DE TONDEUSE



PIÈCES DE RECHANGE

TRACTEUR - - NO. DE MODELE PO15538LT (96012006800), NO. DE PRODUIT 960 12 00-68

MOTEUR

NO. DE PIÈCE	DESCRIPTION	NO. DE PIÈCE	DESCRIPTION
--------------	-------------	--------------	-------------

1	17051	45	17000612
2	17720408	46	19091416
3	-----	72	192334

4	137352	78	17060602
13	165291	81	73510400

14	148456		
23	169837		
29	137180		

31	407516		
32	197725		
33	123487X		

37	401137		
38	181654		
40	124028X		

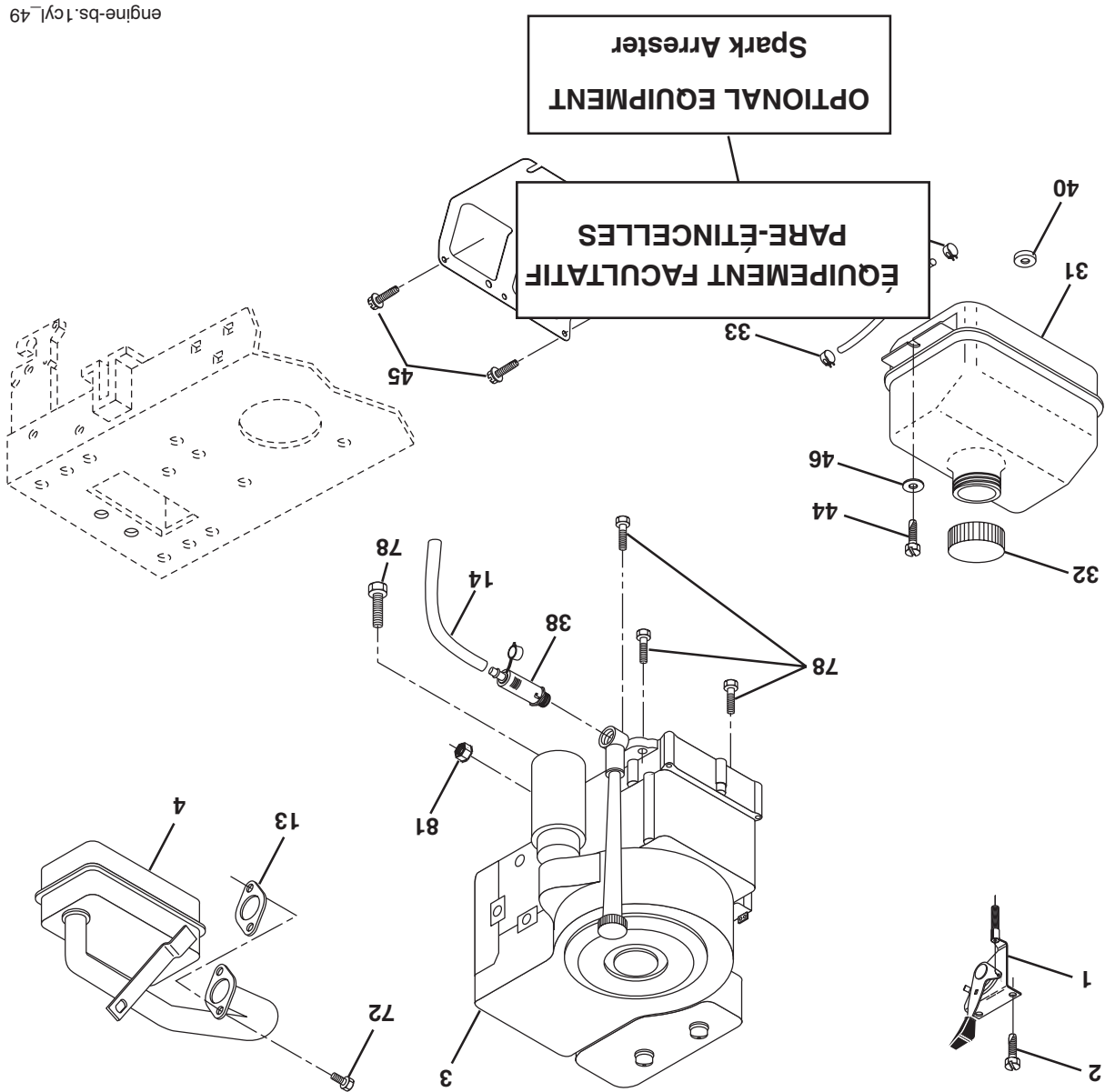
44	17670412		
----	----------	--	--

--	--	--	--

L'Information de Classement de Pouvoir de Moteur

Le pouvoir brut évaluant pour les modèles de moteur de gaz individuels est conformément étiqueté à SAE (la Société d'Ingénieurs Automoteurs) le code J11940 (le Petit Pouvoir de Moteur & le Moment de torsion Evaluator la Procédure), et l'exécution de classe-ment a été obtenue et a été corrigée conformément à SAE J1995 (la Révision 2002-5). Le véritable pouvoir de moteur brut sera plus bas et est affecté par, entre autres choses, les conditions d'opération ambiantes et le moteur-à-la variabilité de moteur. Donné les deux le tableau large de produits sur lesquels moteurs est placé et la variété de problèmes écologiques applicables à l'opération de l'équipement, le moteur de gaz ne développera pas le pouvoir de grosse évalué quand utilisé dans un morceau donné d'équipement de pouvoir (la puissance véritable, « sur place » ou nette). Cette différence est en raison d'une assortment de facteurs inclut, mais pas limité à, les accessoires (le nettoyeur d'air, l'échappement, charger, le refroidissement, le carburateur, la pompe de carburant, etc.), les limitations d'application, les conditions d'opération ambiantes (la température, l'humidité, l'altitude), et le moteur-à-la variabilité de moteur. En raison des limitations de fabrication et capacité, Briggs & Stratton peut substituer un moteur de plus haut pouvoir évalué pour ce moteur de Feuilleton.

PIÈCES DE RECHANGE
 TRACTEUR -- NO. DE MODÈLE P015538LT (96012006800), NO. DE PRODUIT 960 12 00-68
 MOTEUR



PIÈCES DE REMPLACEMENT

TRACTEUR -- NO. DE MODÈLE PO15538LT (96012006800), NO. DE PRODUIT 960 12 00-68
ENSEMBLE DE LA DIRECTION

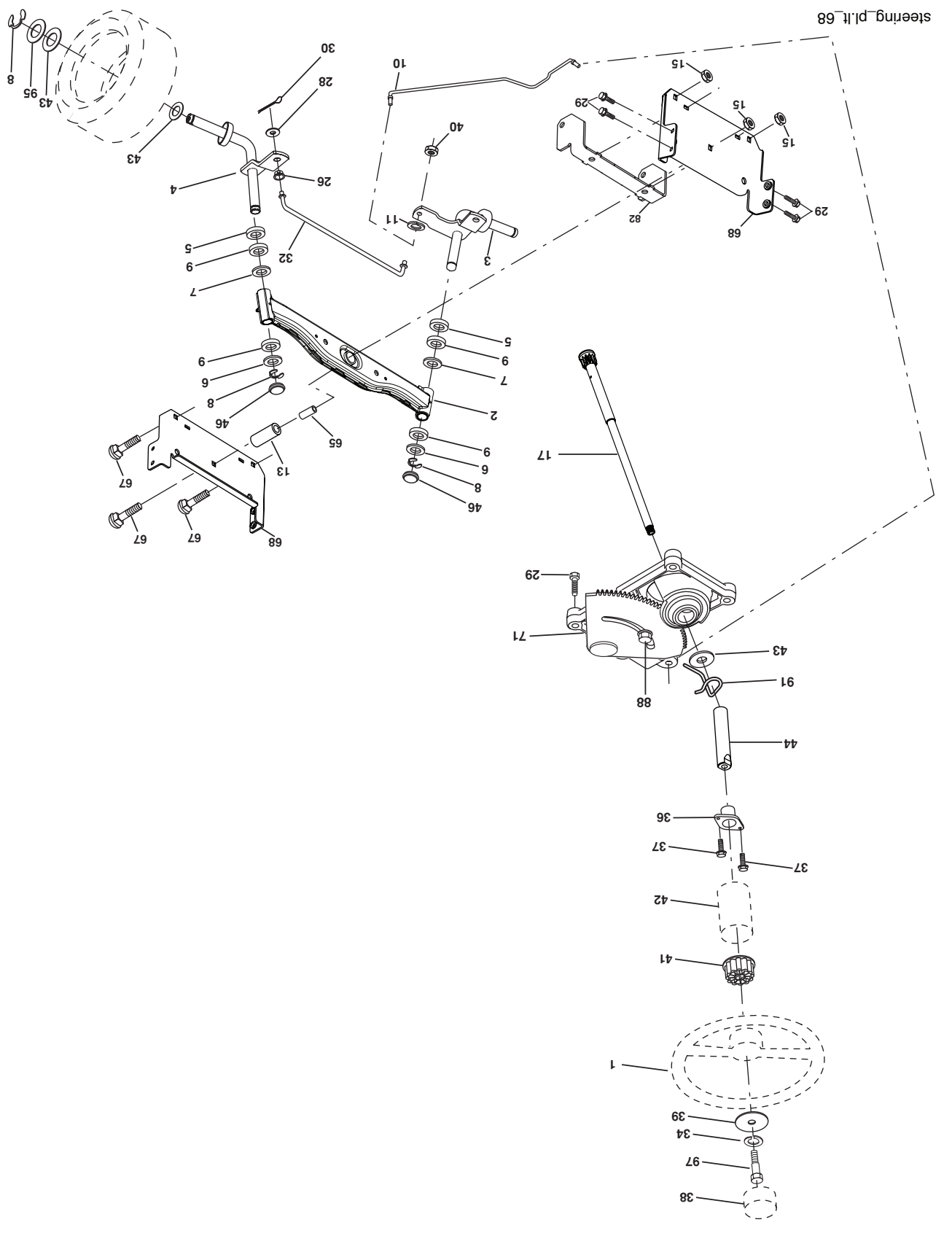
NO. DÉ	NO. PIÈCE	DESCRIPTION
1	186780	Volant de direction
2	195673	Ensemble d'essieu antérieur
3	169840	Ensemble de broche C.G.
4	169839	Ensemble de broche C.D.
5	6266H	Pallier de butée
6	121748X	Rondelle 25/32 x 1 5/8 x 16 Ja.
7	19272016	Rondelle 27/32 x 1-1/4 x 16 Ja.
8	1200029	Rondelle clip
9	3366R	Pallier de colonne de direction
10	175121	Barre de direction
11	10040600	Rondelle frein
13	136518	Entretoise
15	145212	Ecroû frein à collet
17	190753	Ensemble de l'arbre de direction
26	126847X	Douille de barre d'accouplement
28	19131416	Rondelle 13/32 x 7/8 x 16 Ja.
29	17000612	Vis 3/8-16 x 3/4
30	76020412	Goupille
32	192757	Barre d'accouplement
34	10040500	Rondelle 5/16
36	155099	Douille de direction
37	152927	Vis à chapeau n°10-32 x 4 x 3/8
38	192916	Insert de chapeau du volant de direction
39	19113812	Rondelle 1 1/32 ID x 2-3/8 OD x 12 Ja.
40	73540600	Ecroû auto-serrant 3/8-24
41	186737	Adaptateur du volant de direction
42	145054X428	Manchon de l'arbre de direction
43	121749X	Rondelle 25/32 x 1 1/4 x 16 Ja.
44	190752	Direction de rallongement
46	121232X	Chapeau de broche
65	160367	Essieu d'entraînement
67	72110618	Boulon 3/8-16 x 2-1/4
68	169827	Moise
71	175146	Ensemble de direction
82	199978	Support
88	175118	Boulon 7/16-20
91	175553	Pince
95	188967	Rondelle .793 x 1.637 x 060
97	74780564	Boulon 5/16-18 unc x 4" L Cat. 5

REMARQUE: Toutes les dimensions de composant sont données en pouces E.-U. -- 1 pouce = 25,4 mm.

PIÈCES DE RECHANGE

TRACTEUR -- NO. DE MODÈLE P015538LT (96012006800), NO. DE PRODUIT 960 12 00-68

ENSEMBLE DE LA DIRECTION



PIÈCES DE RECHANGE

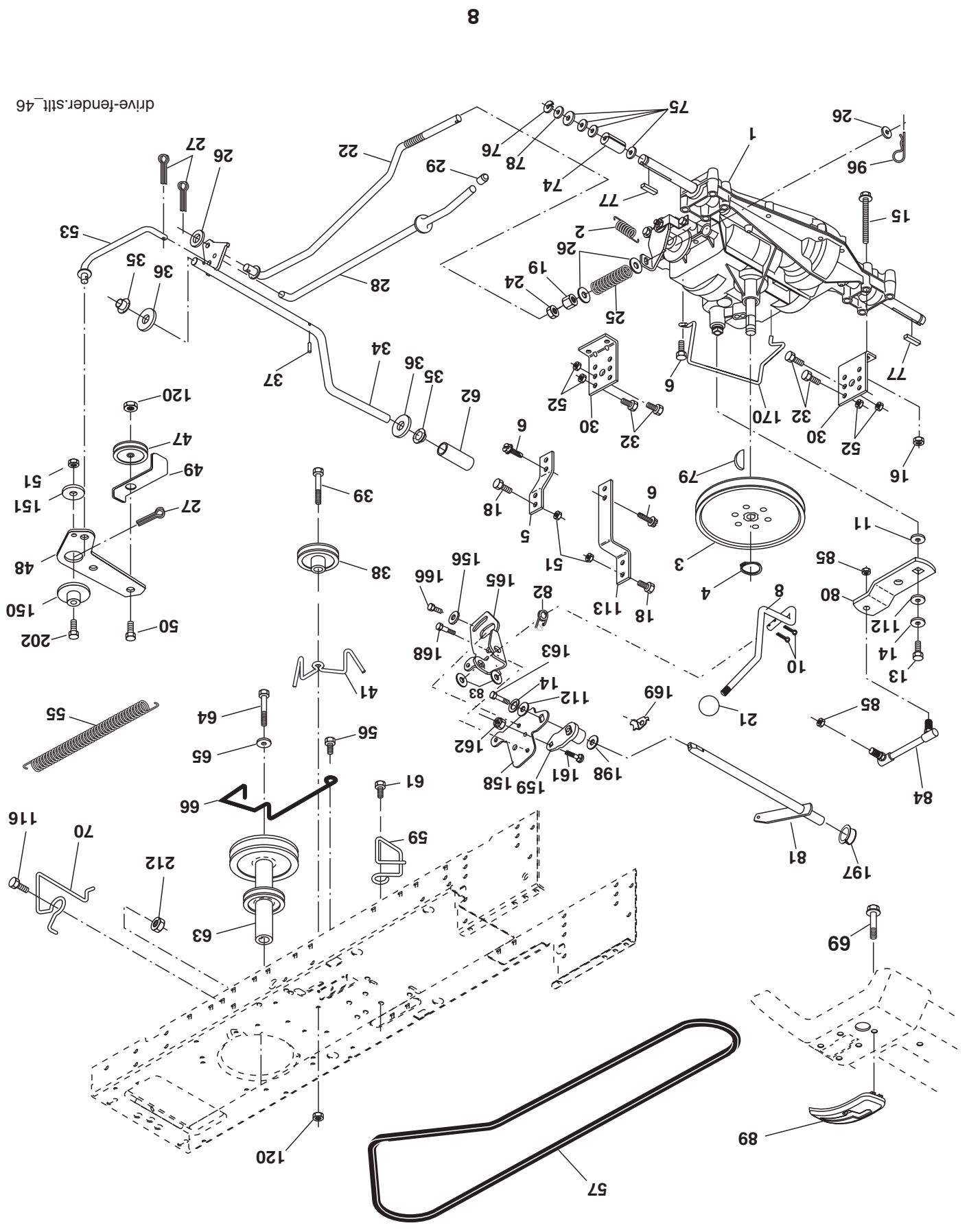
TRACTEUR -- NO. DE MODELE PO15538LT (96012006800), NO. DE PRODUIT 960 12 00-68

ENTRAÎNEMENT

NO. DE RÉF.	NO. DE PIÈCE	DESCRIPTION	NO. DE RÉF.	NO. DE PIÈCE	DESCRIPTION
1	-----	Transmission Peerless modèle 205-544C (Commandez les pièces par suite du fabricant de la transmission)	59	169691	Guide-courroie du châssis central
2	146682	Ressort de rappel du frein	61	17120614	Vis 3/8-16 x .875
3	123666X	Pouille de la transmission des pneus de 18"	62	8883R	Couverture de la pédale
4	1200028	Bague de fermeture n°5100-62	63	175410	Pouille du moteur
5	121520X	Attache de torsion	64	173937	Bouillon H
6	17060512	Vis 5/16-18 x .75	65	10040700	Rondelle frein hélicoïdale à ressort 7/16
8	192706	Tige du changement de vitesse	66	154778	Guide-courroie C.G. du moteur
10	76020416	Goupille fendue 1/8 x 1	69	142432	Vis H
11	105701X	Rondelle bombée	70	134683	Guide-courroie de l'entraînement de tondeuse C.D.
13	74550412	Bouillon 1/4-28 Unt Cat. 9	74	137057	Entretoise de l'essieu
14	10040400	Rondelle frein hélicoïdale 1/4	75	121749X	Rondelle 25/32 x 1-1/4 x 16 Ja.
15	74490544	Bouillon H 5/16-18 Cat. 5	76	12000001	Bague en E n°5133-75
16	73800500	Écrou frein H	77	123583X	Clé carrée 2 0 x 1845/ 1865
18	74780616	Bouillon H 3/8-16 unc x 1 Cat. 5	78	121748X	Rondelle 25/32 x 1-5/8 x 16 Ja.
19	73800600	Écrou frein H avec insert 3/8-16 unc	79	2228M	Clé woodruff #9 3/16 x 3/4
21	106933X	Bouillon	80	131486	Bras de changement
22	130804	Tige du frein	81	165594	Ensemble de l'arbre
24	73350600	Contre-écrou H 3/8-16 unc	82	165711	Ressort de torsion
25	106888X	Ressort de la tige du frein 2 00	83	19171216	Rondelle 17/32 x 3/4 x 16 Ja.
26	19131316	Rondelle 13/32 x 13/16 x 16 Ja.	84	166228	Raccord
27	76020412	Goupille fendue 1/8 x 3/4	85	150360	Écrou frein central 1/4-28
28	175765	Tige du frein de stationnement	89	192054X428	Panneau du levier de changement
29	71673	Chapeau du frein de stationnement	96	4497H	Ressort de retenue
30	174973	Support de montage de la transmission	112	19091210	Rondelle 9/32 x 3/4 x 10 Ja.
32	74760512	Bouillon H 5/16-18 unc x 3/4	113	127285X	Attache de torsion
34	175578	Arbre de l'ensemble de la pédale	116	72140608	Bouillon 3/8-16 x 1
35	120183X	Palier de nylon 629 Id	120	73900600	Écrou frein
36	19211616	Rondelle 21/32 x 1 x 16 Ja.	150	175456	Ressort de retenue
37	1572H	Goupille mécanicus 3/16 x 1"	151	19133210	Rondelle 13/32 x 2 x 10
38	179114	Pouille	156	166002	Rondelle 5/16 ID x 1.125
39	72110622	Bouillon 3/8-16 unc x 2-3/4 Cat. 5	158	165589	Support de montage
41	175556	Guide-courroie du galet-tendeur	159	183900	Moyeu
47	127783	Pouille du galet-tendeur trapézoïdal	161	72140406	Bouillon 1/4-20 x 3/4 Cat. 5
48	154407	Levier coude de l'ensemble	162	73680400	Écrou auto-serrant
49	123205X	Logement de retenue de la courroie à ressort	163	74780416	Bouillon H 1/4-20 unc x 1 Cat. 5
50	72110612	Bouillon 3/8-16 x 1-1/2 Cat. 5	165	165623	Pivot
51	73680600	Écrou auto-serrant 3/8-16 unc	166	17490510	Vis 5/16-18 x 5/8
52	73680500	Écrou auto-serrant 5/16-18 unc	168	165492	Bouillon à épaulement
53	199652	Raccord d'embrayage	169	165580	Attache
55	105709X	Ressort de rappel de l'embrayage 6 75	170	187414	Guide-courroie
56	17060620	Vis 3/8-16 x 1-1/4	170	169613	Douille de nylon
57	138255	Courroie trapézoïdale de masse	197	169593	Rondelle de nylon
			202	72110614	Bouillon 3/8-16 unc x 1-3/4 Cat. 5
			212	145212	Écrou frein H

REMARQUE: Toutes les dimensions de composant sont données en pouces E.-U. -- 1 pouce = 25,4 mm.

PIÈCES DE RECHANGE
TRACTEUR -- NO. DE MODÈLE PO15538LT (96012006800), NO. DE PRODUIT 960 12 00-68
ENTRAÎNEMENT



drive-fender:stlt_46

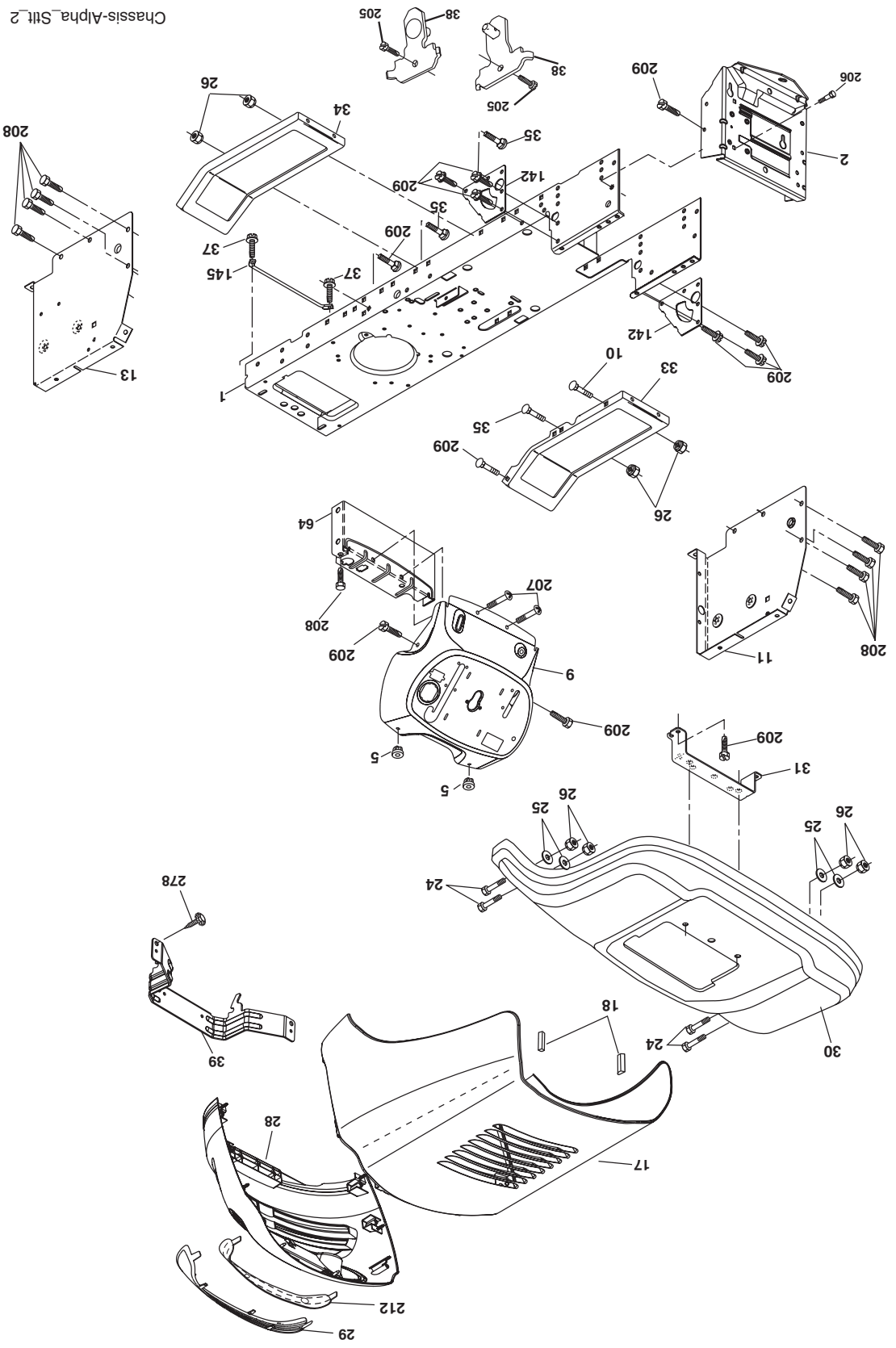
PIÈCES DE REMPLACEMENT

TRACTEUR -- NO. DE MODELE PO15538LT (96012006800), NO. DE PRODUIT 960 12 00-68
CHASSIS/ENCEINTES

NO.	DE	REF.	DESCRIPTION
NO.	DE	PIECE	
1		174619	Chassis
2		176554	Barre d'attelage
5		155272	Pare-chocs
9		193510X010	Tableau de bord
10		72140608	Boulon de chariot 3/8-16 x 1
11		174996	Panneau du tableau de bord C.G.
13		172105X010	Panneau du tableau de bord C.D.
17		187559X428	Ensemble du capot
18		184921	Coussin de capot
24		74780616	Boulon
25		19131312	Rondelle 13/32 x 13/16 x 12 Ja.
26		73800600	Ecroû
28		187598	Calandre (comprise les nos. de réf 29 et 212)
29		187567X599	Lentille
30		192526X428	Aile
31		136619	Support d'aile
33		179716X428	Repose-pieds C.G.
34		179717X428	Repose-pieds C.D.
35		72110606	Boulon
37		17490508	Vis 5/16-18 x 1/2 TYT
38		175710	Ensemble de support
39		187568	Support
64		154798	Tableau de bord
142		175702	Plaque
145		156524	Tige
205		17490608	Vis 3/8-16 x 1/2
206		170165	Boulon à épaulement
207		17670508	Vis 5/16-18 x 1/2
208		17670608	Vis 3/8-16 x 1/2
209		17000612	Vis H 3/8-16
212		187569	Insert de lentille
278		191611	Vis H 10 x 3/4
--		5479J	Bouchon de bouton
--		187801	Bouchon

REMARQUE: Toutes les dimensions de composant sont données en pouces E.-U. -- 1 pouce = 25,4 mm.

PIÈCES DE REMPLACEMENT
TRACTEUR -- NO. DE MODÈLE P01538LT (96012006800), NO. DE PRODUIT 960 12 00-68
CHÂSSIS/ENCEINTES



PIÈCES DE REMPLACEMENT
TRACTEUR - - NO. DE MODELE PO15538LT (96012006800), NO. DE PRODUIT 960 12 00-68
ELECTRIQUE

NO. DE PIÈCE	DESCRIPTION
1	Batterie
2	Boulon H 1/4-20 unc x 3/4
8	Bac de batterie
16	Interrupteur de verrouillage
21	Harnais des prises de courant des phares avec 4152J
22	Ampoule N°1156
24	Câble de batterie de 6 Ja de 1 po. - rouge
25	Câble de batterie de 6 Ja avec un fil de 16 po. - rouge
26	Fusible de 20 AMP
27	Ecroû à taquets 1/4-20 unc
28	Câble de masse de 6 Ja de 12 po. - noir
29	Interrupteur
30	Contacteur d'allumage
33	Clé de contact
34	Interrupteur
40	Harnais des câbles d'allumage
41	Boulon H 1/4-20 x 1/2
42	Couverture de borne
43	Solénoïde
48	Adaptateur de l'ampèrrmètre rectangulaire
52	Fil en forme de boucle de protection
90	Couverture
92	Harnais
93	Vis 10-14 x 2.0
94	Inverse du module ROS

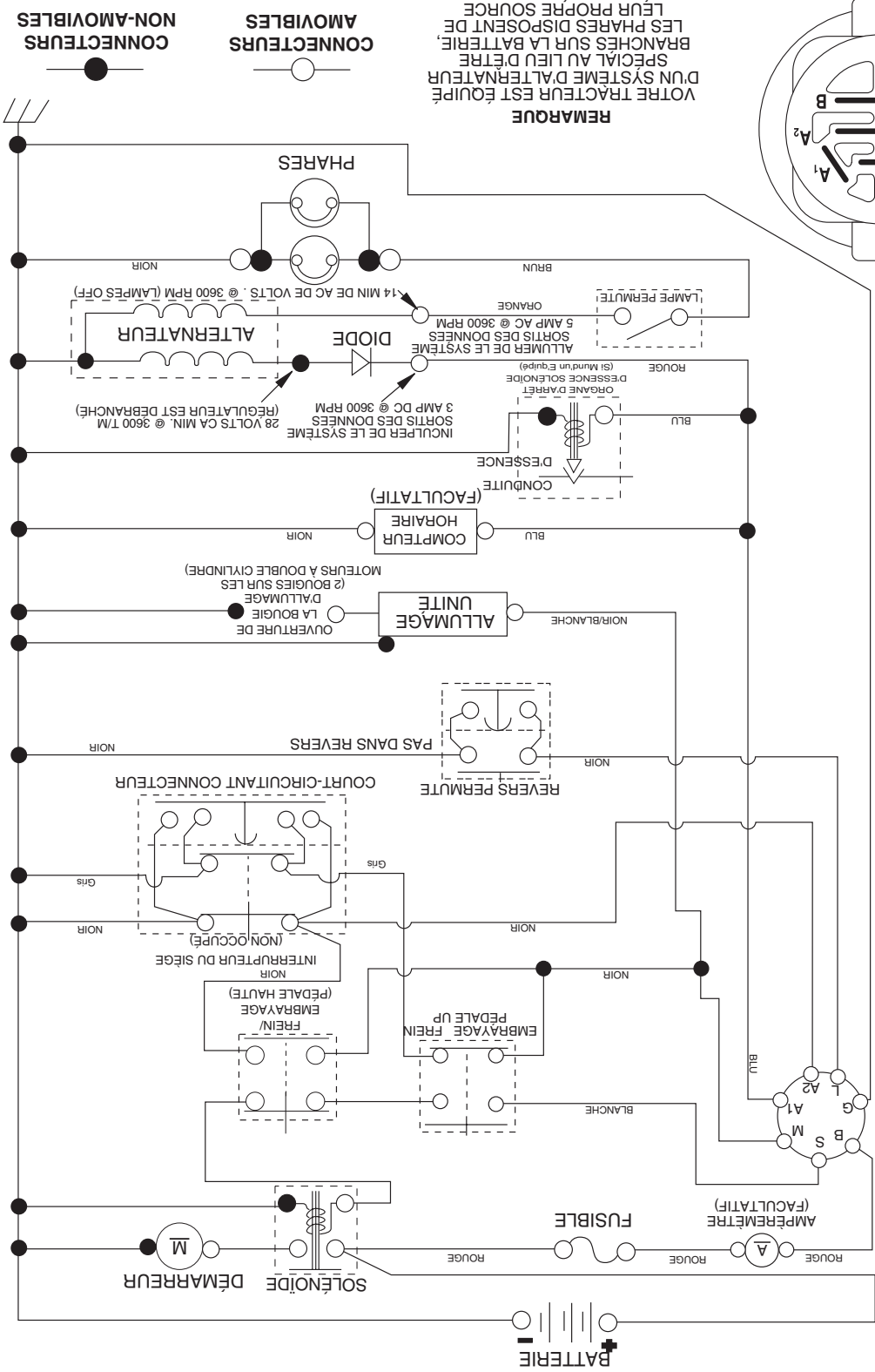
REMARQUE: Toutes les dimensions de composant sont données en pouces E.-U. -- 1 pouce = 25,4 mm.

CONTACTEUR D'ALLUMAGE

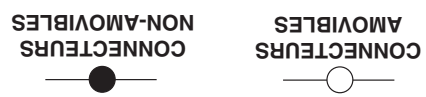
POSITION	CIRCUIT "FATS"
ARRÊT	M + G + A1
MARCHE/ ALLUMAGE	B + A1
MARCHE	B + A1
DEMBARRAGE	B + S + A1

02836

REMARQUE
 VOTRE TRACTEUR EST ÉQUIPÉ D'UN SYSTÈME D'ALTERNATEUR SPÉCIAL AU LIEU D'ÊTRE BRANCHÉS SUR LA BATTERIE, LES PHARES DISPOSENT DE LEUR PROPRE SOURCE D'ÉNERGIE ÉLECTRIQUE, DONC LA BRILLANCE DES PHARES CHANGERA EN FONCTION DE LA VITESSE DU MOTEUR, AU RALENTI, LA BRILLANCE DES PHARES BAISSERA: QUAND LE MOTEUR EST ACCÉLÉRÉ, LA BRILLANCE ATTEINDRA SON MAXIMUM.

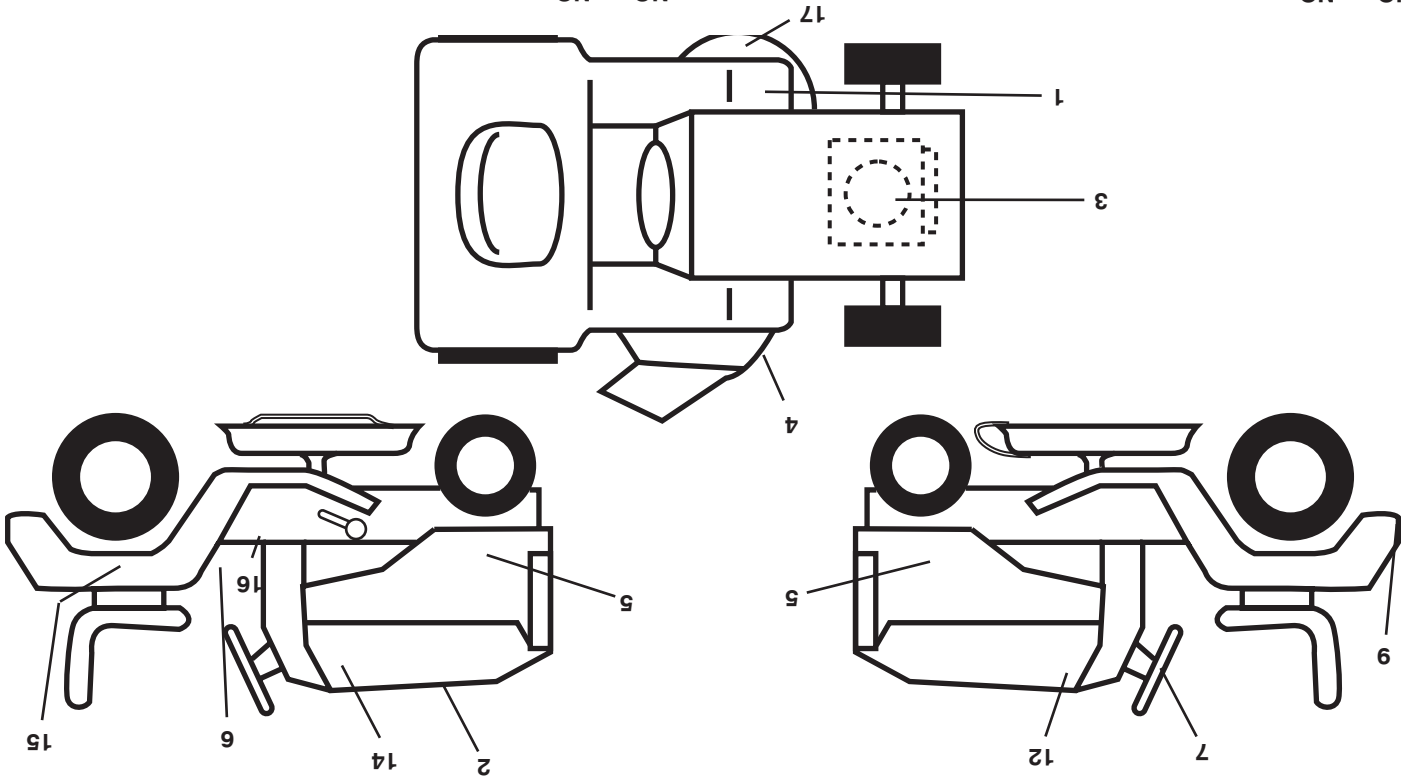


REMARQUE: SI LES PINCES ISOLÉES ONT ÉTÉ ENLEVÉES POUR L'ENTRETIEN DU MODE BON FONCTIONNEMENT DU CABLAGE.



PIÈCES DE REMPLACEMENT

TRACTEUR -- NO. DE MODÈLE P015538LT (96012006800), NO. DE PRODUIT 960 12 00-68



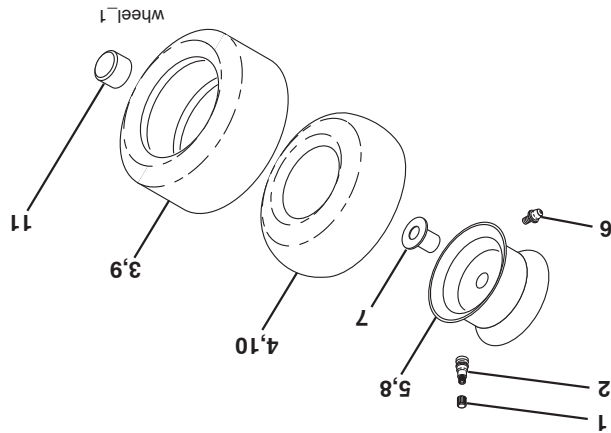
NO. DE PIÈCE	DESCRIPTION
14	Décalcomanie de capot C.G.
15	Décalcomanie de danger/poison de la batterie
16	Décalcomanie d'instruction d'utilisation anglais
17	Décalcomanie de schéma de courroie trapézoïdale
138311	Décalcomanie de poignée de levage
411137	Manuel du propriétaire (anglais/français)
411138	Manuel du pièces (anglais/français)

NO. DE PIÈCE	DESCRIPTION
1	Capuchon de valve de pneu
2	Tubulure de valve
3	Pneu antérieur
4	Chambre à air antérieure (non fournie)
5	Ensemble de la jante antérieure 6 po.
6	Graisseur (roue antérieure seulement)
7	Pallier à bride (roue antérieure seulement)
8	Ensemble de la jante arrière 8 po.
9	Pneu arrière
10	Chambre à air arrière (non fournie)
11	Capuchon de l'essieu
144334	Joint d'étanchéité de pneu (tube de .30L [10 oz.])

REMARQUE: Toutes les dimensions de composant sont données en pouces E.-U. -- 1 pouce = 25,4 mm.

NO. DE PIÈCE	DESCRIPTION
1	Décalcomanie
2	Décalcomanie Remplacer
3	Décalcomanie de C.V. du moteur
4	Décalcomanie d'avertissement
5	Décalcomanie
6	Décalcomanie d'aile danger
7	Décalcomanie de l'insert du volant de direction
9	Décalcomanie Aile
12	Décalcomanie de capot C.D.

ROUES & PNEUS



LISTE DES PIÈCES ILLUSTRÉE

MFG. ID NO: 96012006800

NUMÉRO DE CATALOGUE DE CLIENT:

PO15538LT

NO. DE PRODUIT 960 12 00-68