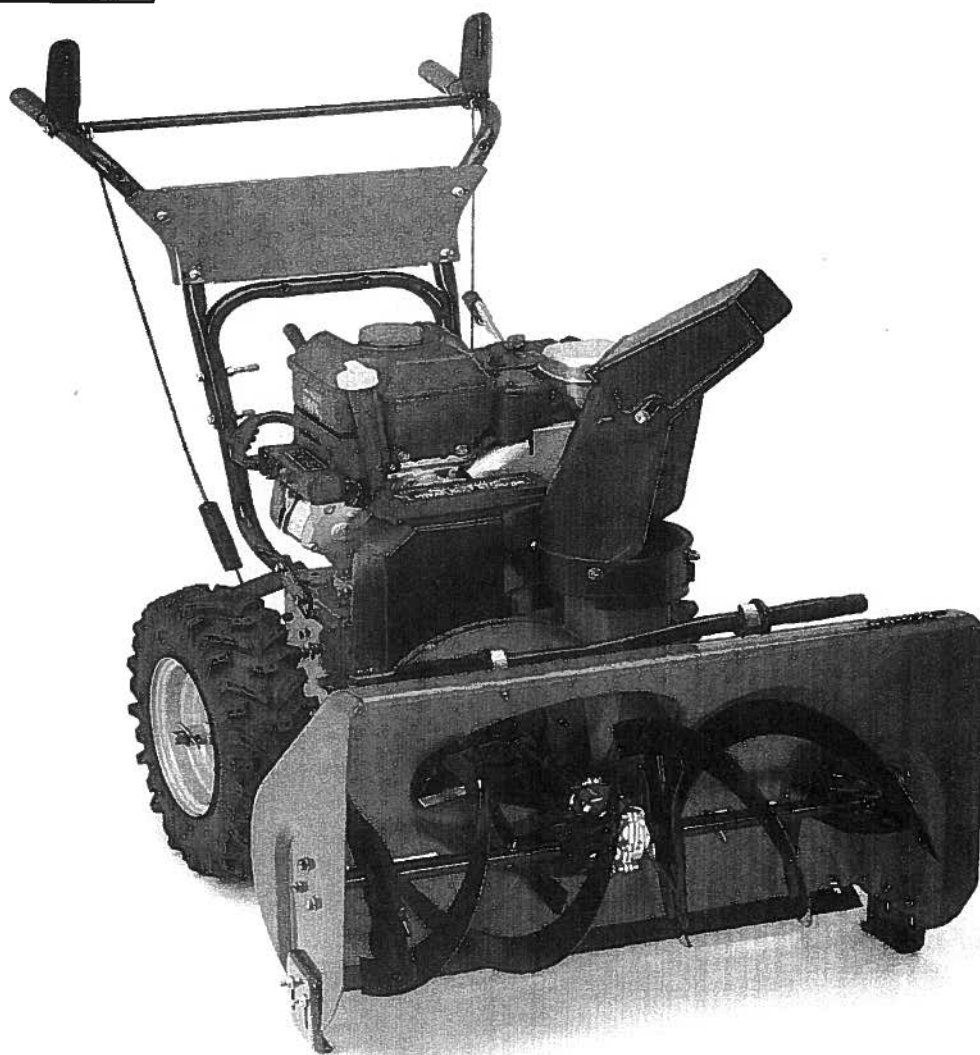
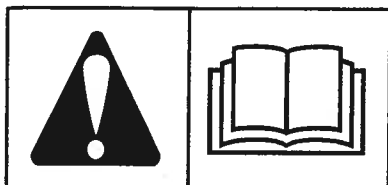
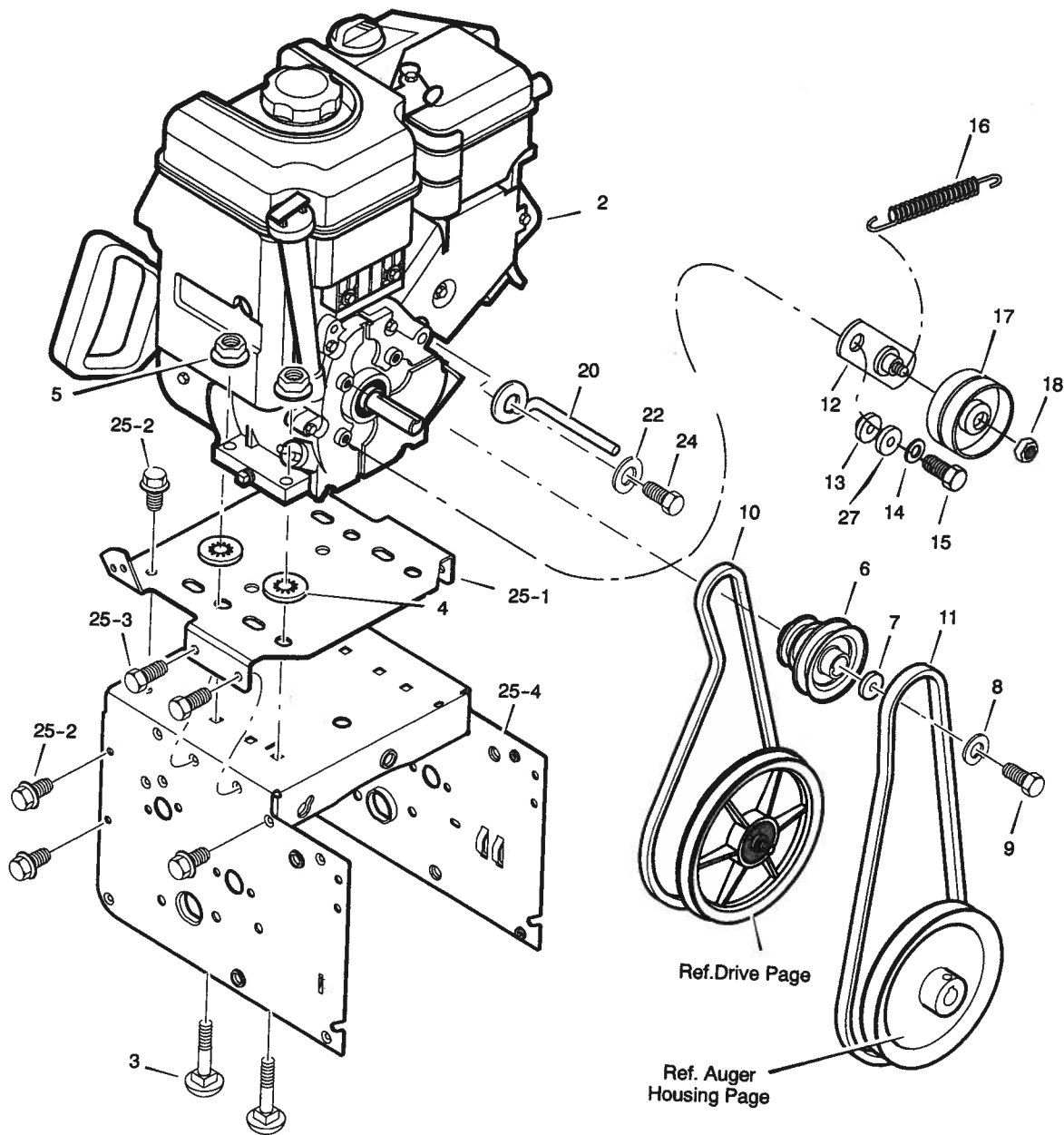


Poulan

Snow Thrower
Model PO55TE24

(GB) *Operating & Maintenance Instructions*
(F) *Instructions d'utilisation et de maintenance*





Ref. Drive Page

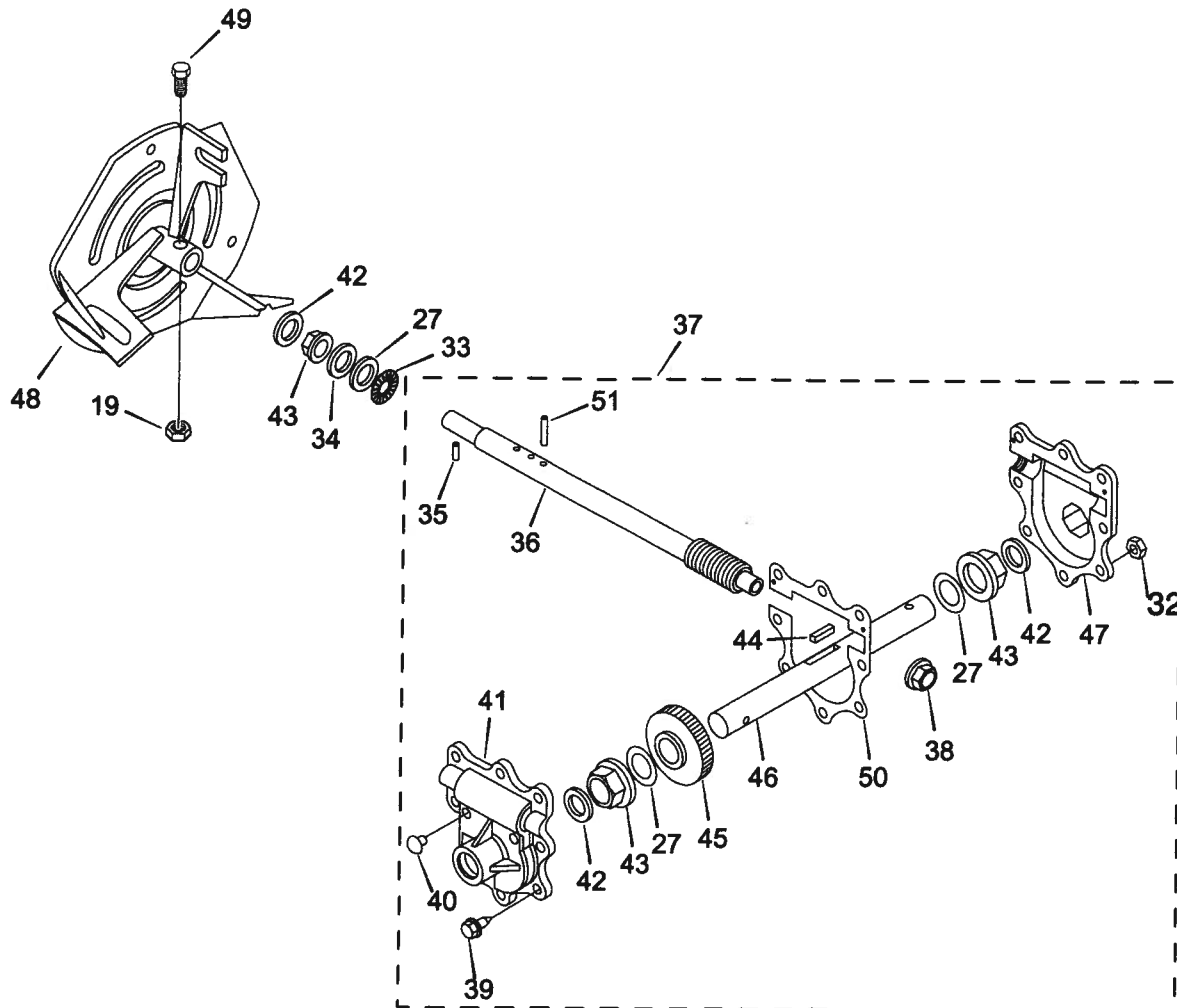
Ref. Auger Housing Page

Key No.	Part No.	Description
2	LH1955P67524D	ENGINE
3	198539	BOLT, CARRIAGE
4	198540	RETAINER, PUSH
5	198541	NUT
6	198542	PULLEY, ENGINE
7	400026	WASHER
8	850263	WASHER
9	851084	SCREW
10	198546	BELT, DRIVE V 4L
11	400043	BELT, AUGER V 3L
12	198558	BRACKET ASSEMBLY, IDLER
13	198559	BUSHING, IDLER BRACKET
14	10040500	WASHER, SPLIT
15	74610516	SCREW 5/16-24 X .75

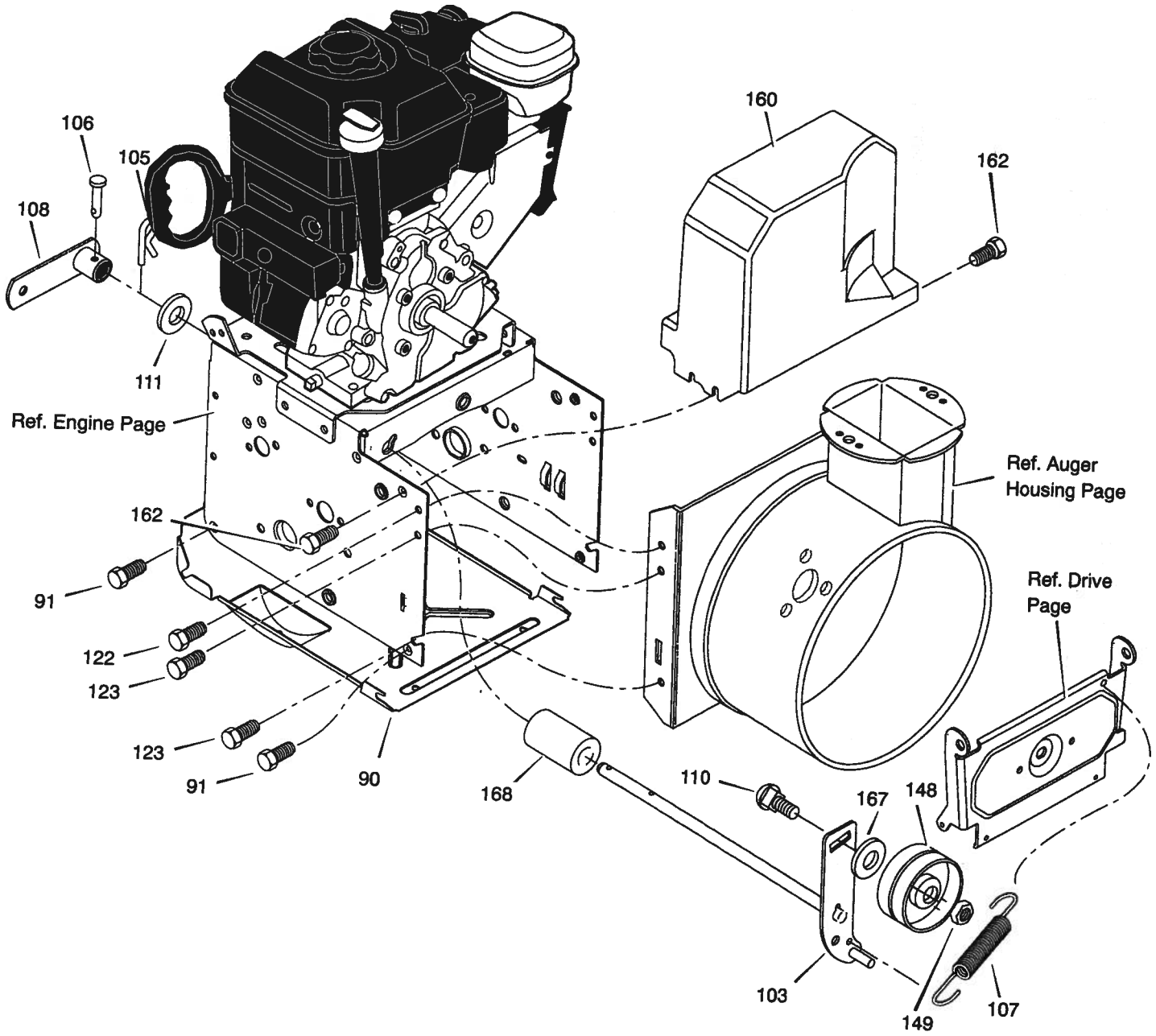
Key No.	Part No.	Description
16	198560	SPRING, IDLER TRACTION DRIVE
17	198561	PULLEY, IDLER
18	198562	NUT, JAM 3/8-16
20	198555	GUIDE, ROD BELT
22	400025	WASHER
24	150078	SCREW
25	----	FRAME ASSEMBLY
25-1	188784	PLATE, ENGINE
25-2	198574	SCREW
25-3	198584	SCREW
25-4	1501049	MOTOR BOX
27	59289	WASHER, FLAT
--	406483	OWNER'S MANUAL ENG/FRE

MODEL PO55TE24 (96198000100)

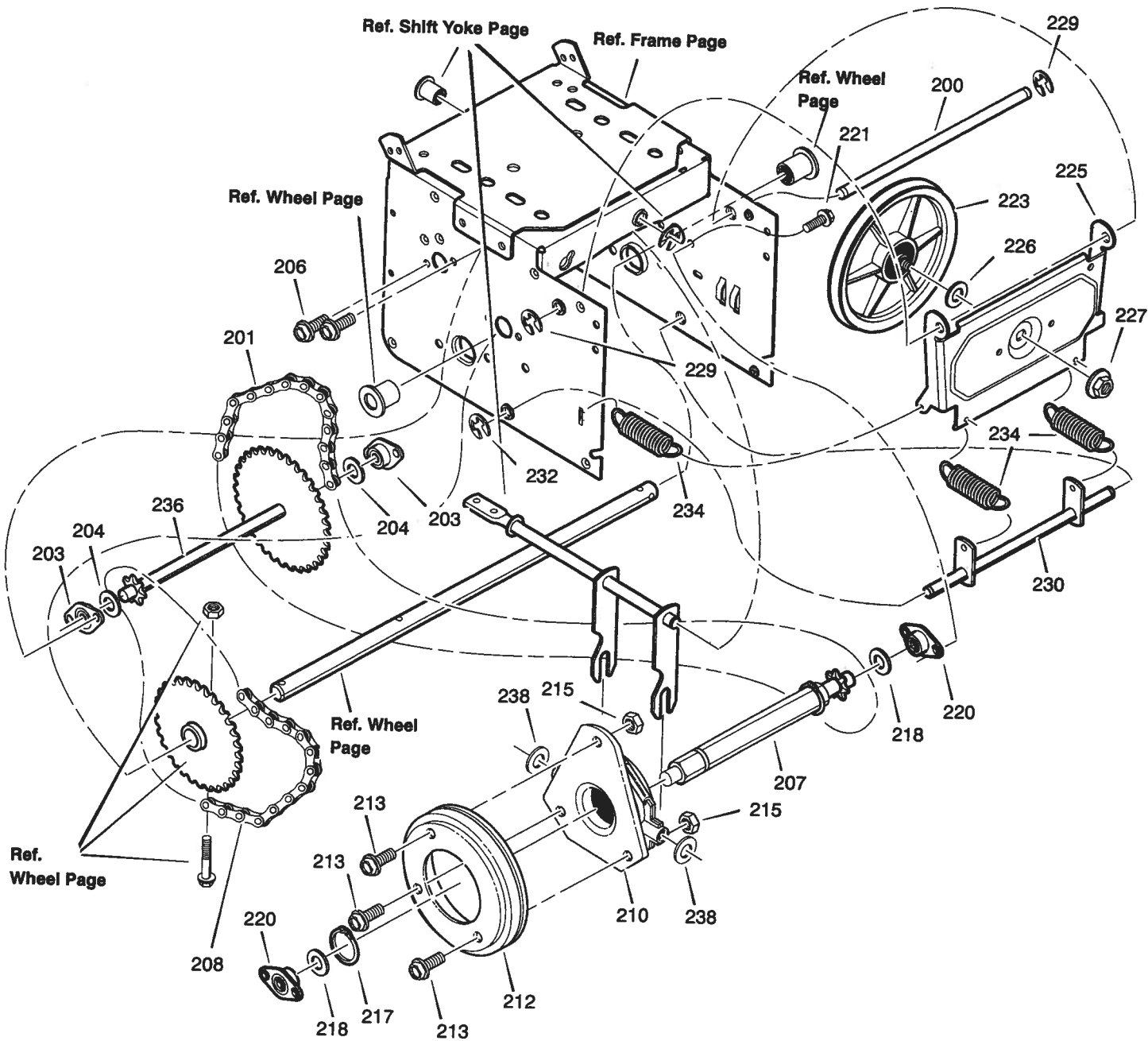
REPAIR PARTS GEAR CASE



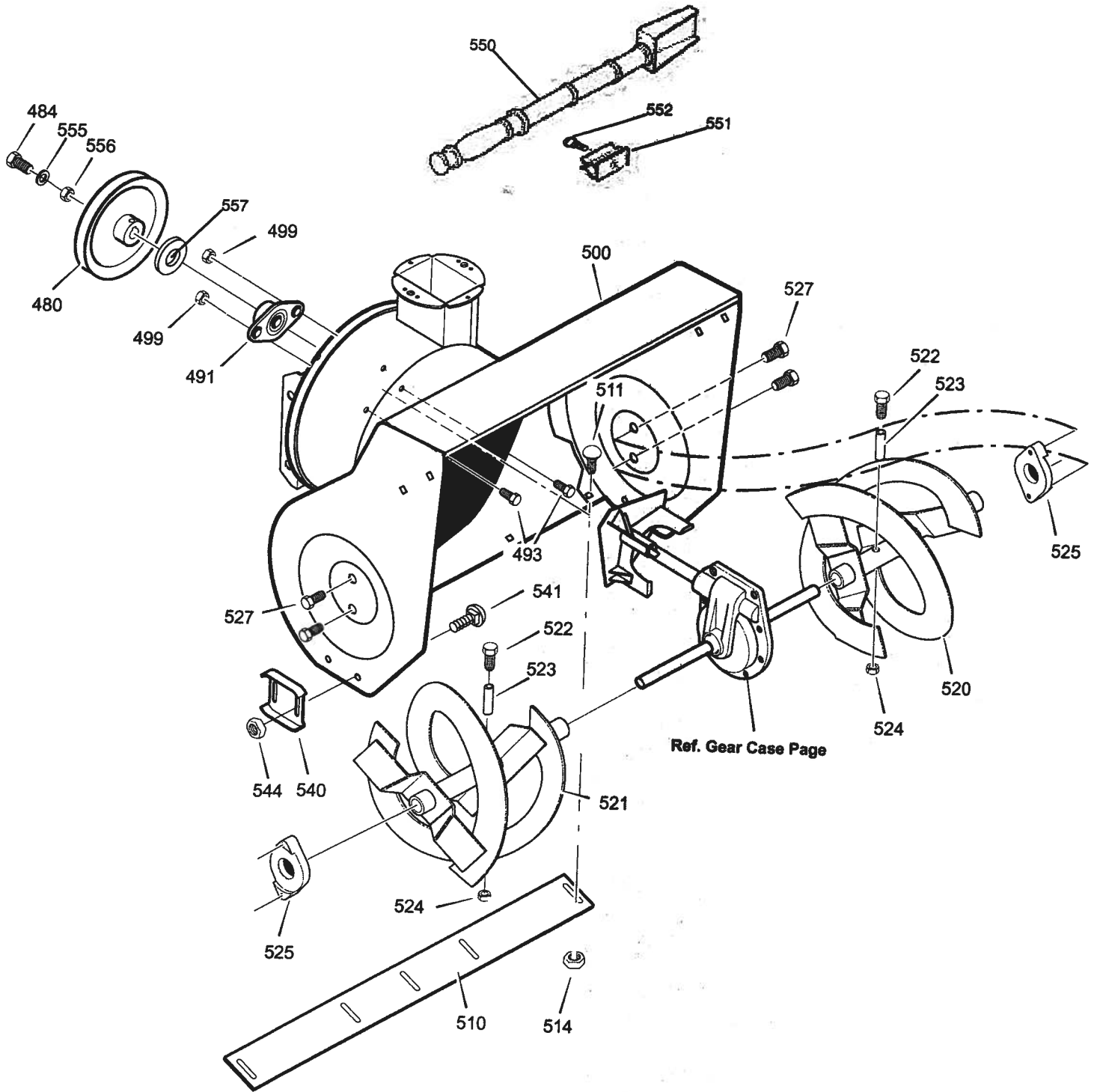
Key No.	Part No.	Description	Key No.	Part No.	Description
19	73800400	NUT, HEX LOCK 1/4-20	41	404965	HOUSING, GEARCASE, RH
27	404953	WASHER, FLAT	42	404959	SEAL, OIL
32	404955	NUT, 1/4-20	43	404960	BEARING, FLANGE
33	404956	COLLAR, THRUST	44	404952	KEY, WOODRUFF #605
34	174684	WASHER, THRUST	45	404962	GEAR, WORM
35	404957	PIN, SPRING	46	404946	SHAFT, AUGER OUTPUT
36	404948	SHAFT, AUGER INPUT (IMPELLER)	47	404964	HOUSING, GEARCASE, LH
37	404944	GEARCASE, COMPLETE	48	405027X479	IMPELLER
38	404961	BUSHING, FLANGE	49	74780426	SCREW
39	404954	BOLT 1/4-20 x 3/4	50	404950	GASKET, GEARCASE
40	B6447	PLUG	51	7B36M	PIN, ROLL



Key No.	Part No.	Description
90	198573X479	COVER, BOTTOM
91	198574	SCREW, 1/4-20X .63
103	406653X008	IDLER ASSEMBLY, AUGER
105	198576	PIN, HAIR .38DIA X 1.64LG
106	198580	PIN, CLEVIS 3/16" DIA
107	400024	SPRING, TENSION
108	405484	ARM, COPTROL
110	72110612	BOLT, 3/8-16 X 1.50 CARR.
111	198578	WASHER, FLAT
122	198584	SCREW, TAP 5/16-18 X 0.50
123	150078	SCREW, TAP 5/16-18 X 0.75
148	198561	PULLEY, IDLER
149	73930600	LOCKNUT, METAL
160	407095X428	COVER, BELT
162	405024	SCREW, TAP
167	198592	WASHER, FLAT
168	198581	SPACER, AUGER BRACKET



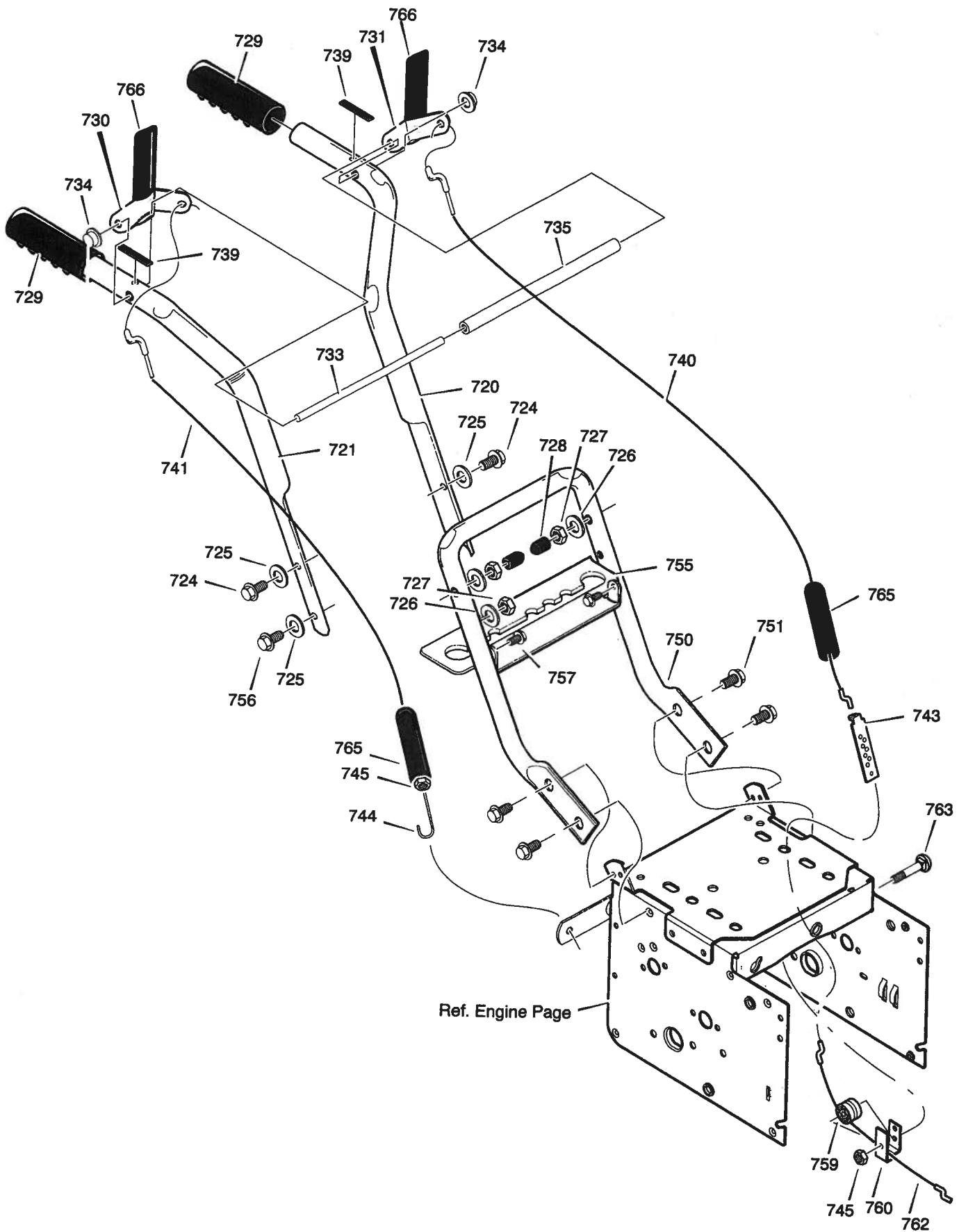
Key No.	Part No.	Description
200	198600x008	LF AXLE, SWING PLATE YZ
201	198588	CHAIN, ROLLER #420x19.00
203	198591	BEARING AND RETAINER, ASSY
204	198592	WASHER
206	198584	SCREW, TAP 5/16-18x0.5
207	198815	ASSY, HEX SHAFT
208	198596	CHAIN, ROLLER #420x18.00 LG
210	198819	BEARING, TRUNION CLUTCH R
212	198820	WHEEL, FRICTION DISC
213	198822	BOLT
215	73800400	NUT, KEPS HEX 1/4-20
217	405538	RING, RETEXT
218	198592	WASHER
220	198591	BEARING AND RETAINER, ASSY
221	198584	SCREW, TAP 5/16-18 x .5
223	198808	FRICTION PULLY
225	198792x008	LF PLATE, SWINGING YZ
226	198650	SPACER, FRICTION PULLEY
227	73040600	NUT, FLANGE LOCK 3/8-24
229	198945	RETAINER, RING
230	198594x008	LF ASSY, SPRING LINK YZ
232	198945	RETAINER, RING
234	198597	SPRING, EXTENSION
236	198598	WLD, INTERMED SPROCKET 33T/7
238	198599	WASHER, FLAT



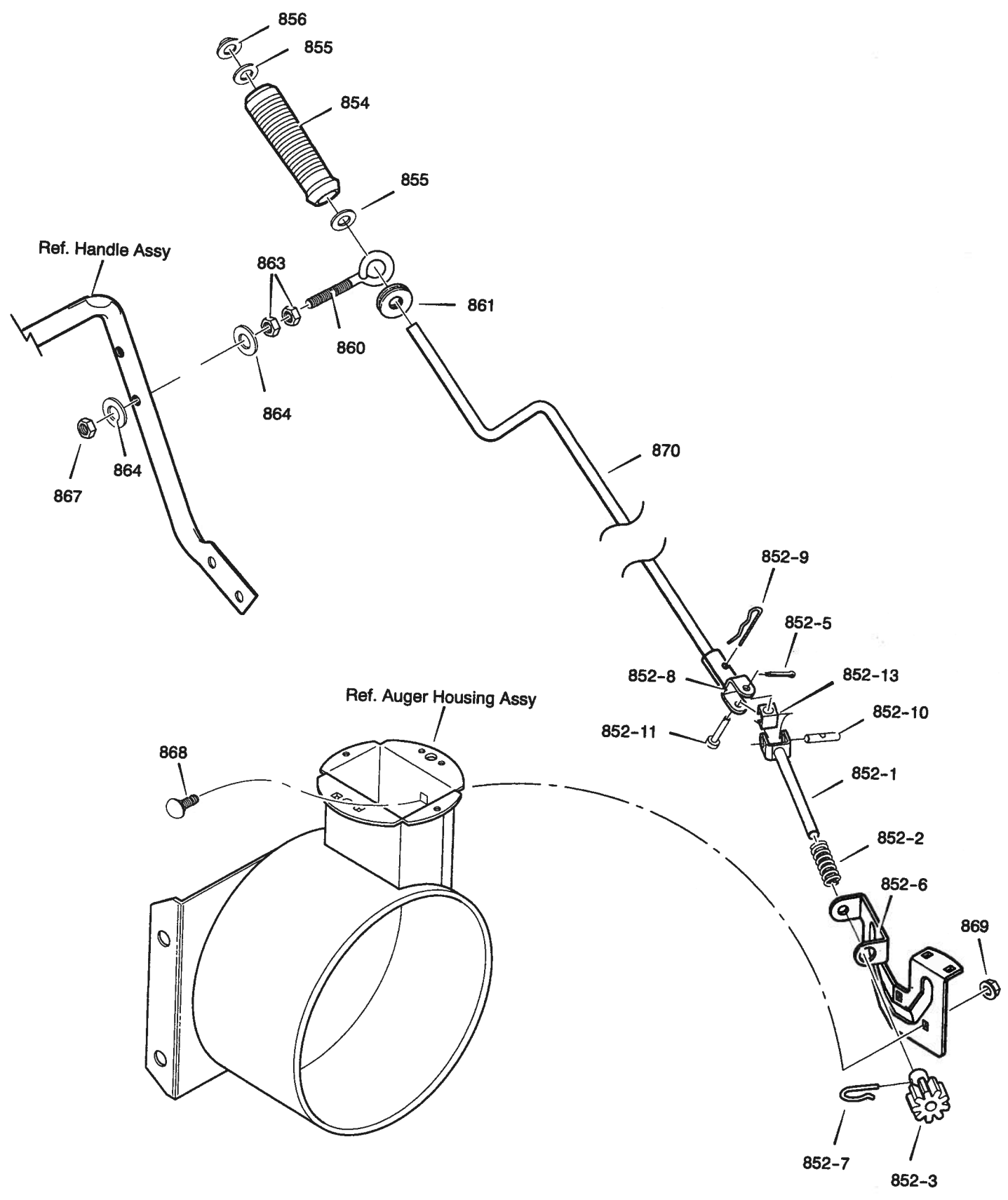
MODEL PO55TE24 (96198000100)

REPAIR PARTS AUGER HOUSING

Key No.	Part No.	Description
480	405011	PULLEY, 4L 6.12X .67
484	74950512	SCREW, 5/16-18X.63
491	188909	BEARING, FLANGE
493	199879	BOLT, HEX
499	198541	NUT, 5/16-18 HEXWDFLLK
500	405680X428	HOUSING, ASSY
510	199045X479	BLADE, SCRAPER
511	198634	BOLT, 1/4-20X.75
514	400100	NUT, 1/4-20
520	405646X479	AUGER, ASSY, LH
521	405647X479	AUGER, ASSY, RH
522	198636	SCREW, 1/4-20X1.75
523	198638	SPACER, SLEEVE
524	73800400	NUT, 1/4-20
525	405535	BEARING, FLANGE
527	179582	SCREW, 5/16-18X .75
540	400039X479	SKID, HEIGHT ADJUST
541	198648	BOLT, 5/16-18 X .75
544	19854	NUT, 5/16-18
550	192199	CLEANOUT TOOL
551	405400	CLIP, CLEANOUT TOOL
552	194189	SCREW
555	11050500	WASHER, SPLIT
556	851074	WASHER, FLAT
557	407452	SPACER
- -	1501216	KIT, SHEAR BOLT

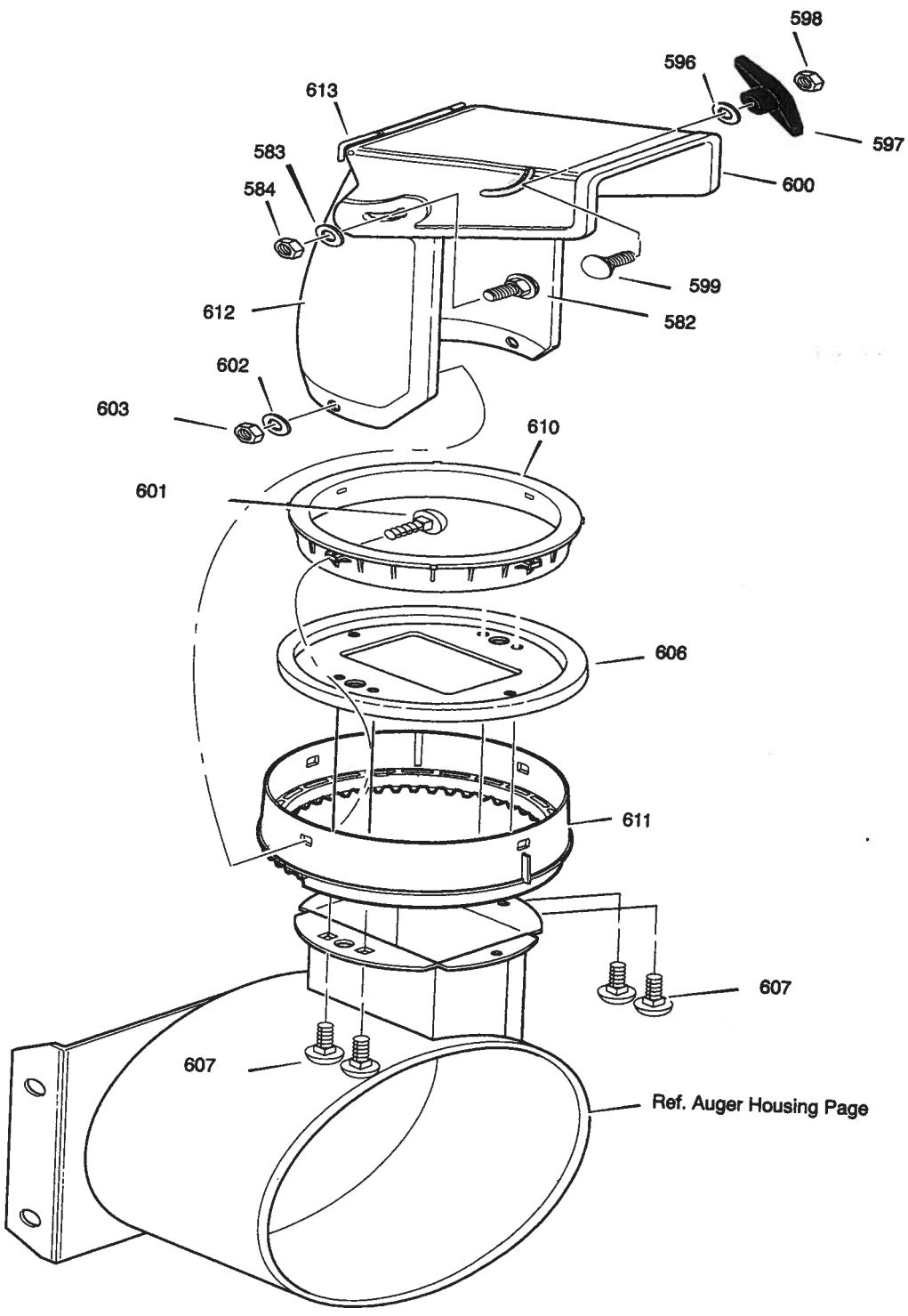


Key No.	Part No.	Description
720	198700x479	HANDLE, UPPER LH
721	198701x479	HANDLE, UPPER RH
724	198711	SCREW, 5/16-18X2.75
725	198662	WASHER, FLAT
726	10040500	WASHER, SPTLK 5/16 SPLIT HVY
727	198683	NUT, 31-18 HEX YZ
728	198709	STOP, RED PLASTIC
729	198708	GRIP-HANDLE FINGER
730	198698X479	LEVER, ASSY CLUTCH DRIVE RH
731	198697X479	LEVER, ASSY CLUTCH DRIVE LH
733	198710	ROD, PIVOT CLUTCH
734	198713	NUT, PUSH ON CAP
735	198712	SPACER-HANDLE
739	198702	BUMPER, RECTANGLE
740	406165	CABLE, CLUTCH 28.44L
741	406178	CABLE, AUGER CLUTCH
743	198692	BRACKET, CABLE ADJUSTER
744	198690	SPRING, AUGER CLUTCH
745	73800400	NUT, 1/4-20
750	400151X479	HANDLE, LOWER
751	150078	SCREW 5/16 - 18 x .75
755	1986699X479	BRKT, GEAR SELECTOR
756	198685	SCREW, 5/16-18X2.00
757	198574	SCREW, 1/4-20 X 0.63
759	198678	SPOOL-CABLE, AUGER CLUTCH
760	198677X004	BRACKET, CABLE SPOOL YZ
762	406164	CABLE, LOWER DRIVE 12"
763	198673	BOLT, HEX 1/4-20 X 1.50 YZ
765	198670	BOOT, CLUTCH SPRING
766	198706	GRIP



Key No.	Part No.	Description
852-1	198852	ASSEMBLY, YOKE & ROD
852-2	198861	SPRING
852-3	198862	GEAR, CHUTE ROTATION 9T
852-5	406192	PIN, COTTER
852-6	198864	BRACKET, CHUTE GEAR
852-7	198863	PIN, HAIR
852-8	198788	ASSEMBLY, YOKE ADAPTER YZ
852-9	198576	PIN, HAIR
852-10	198876	PIN, UNIVERSAL JOINT
852-11	198866	PIN, CLEVIS
852-13	198570	HOUSING, UNIVERSAL
854	198836X428	KNOB, SLEEVE
855	198837	FLATWASHER
856	198839	NUT, PUSH ON 3/8"
860	198869	EYE BOLT 3/8-16X6.50
861	198841	GROMMET, EYE BOLT
863	198845	NUT, 3/8-16 HEXJAM
864	198733	FLATWASHER .406X.81X.066
867	73800600	NUT, 3/8-16 HEXNYL
868	198729	BOLT, CARRIAGE 1/4-20 X 1.00
869	73800400	NUT, 1/4-20
870	198248	CRANK, ASSY CHUTE

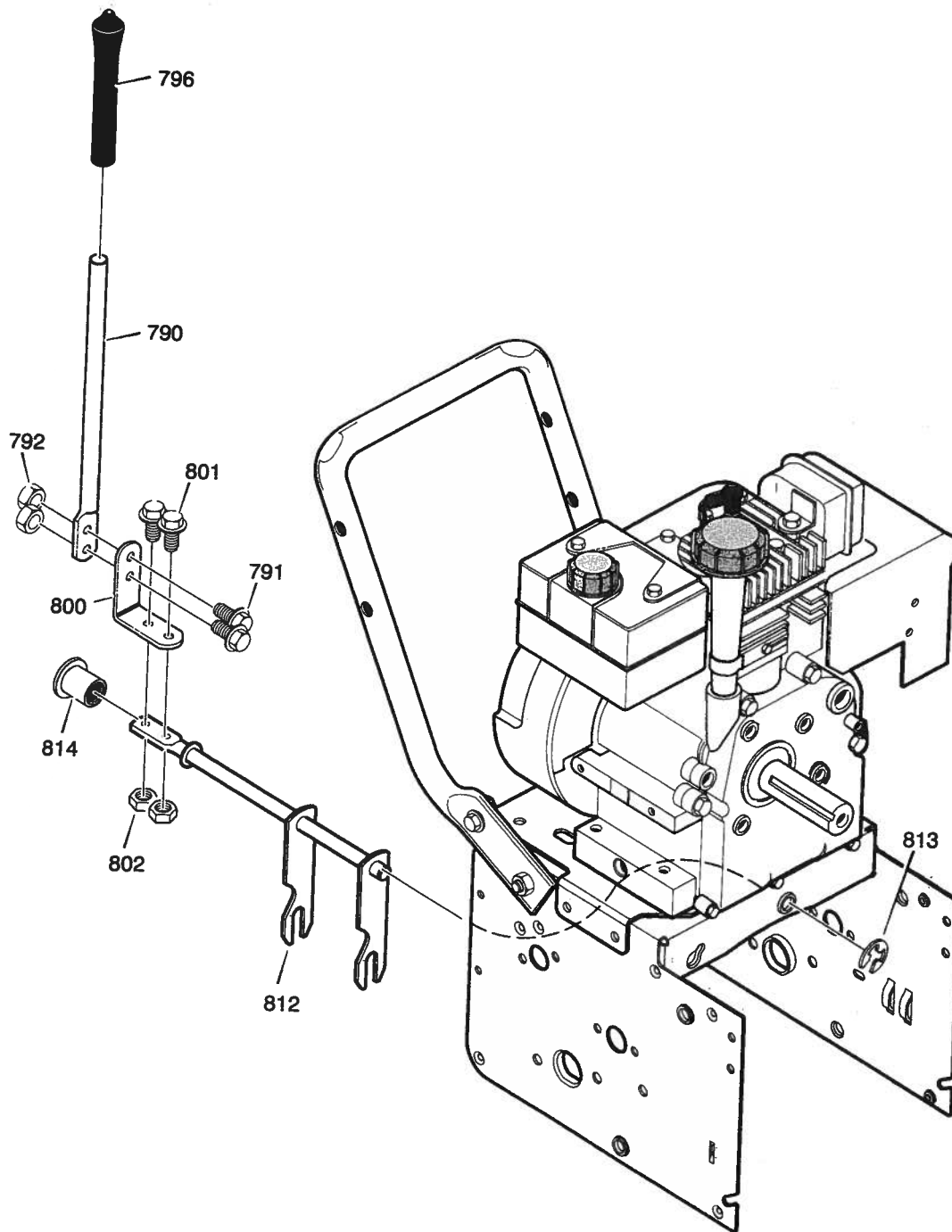
**REPAIR PARTS
DISCHARGE CHUTE**



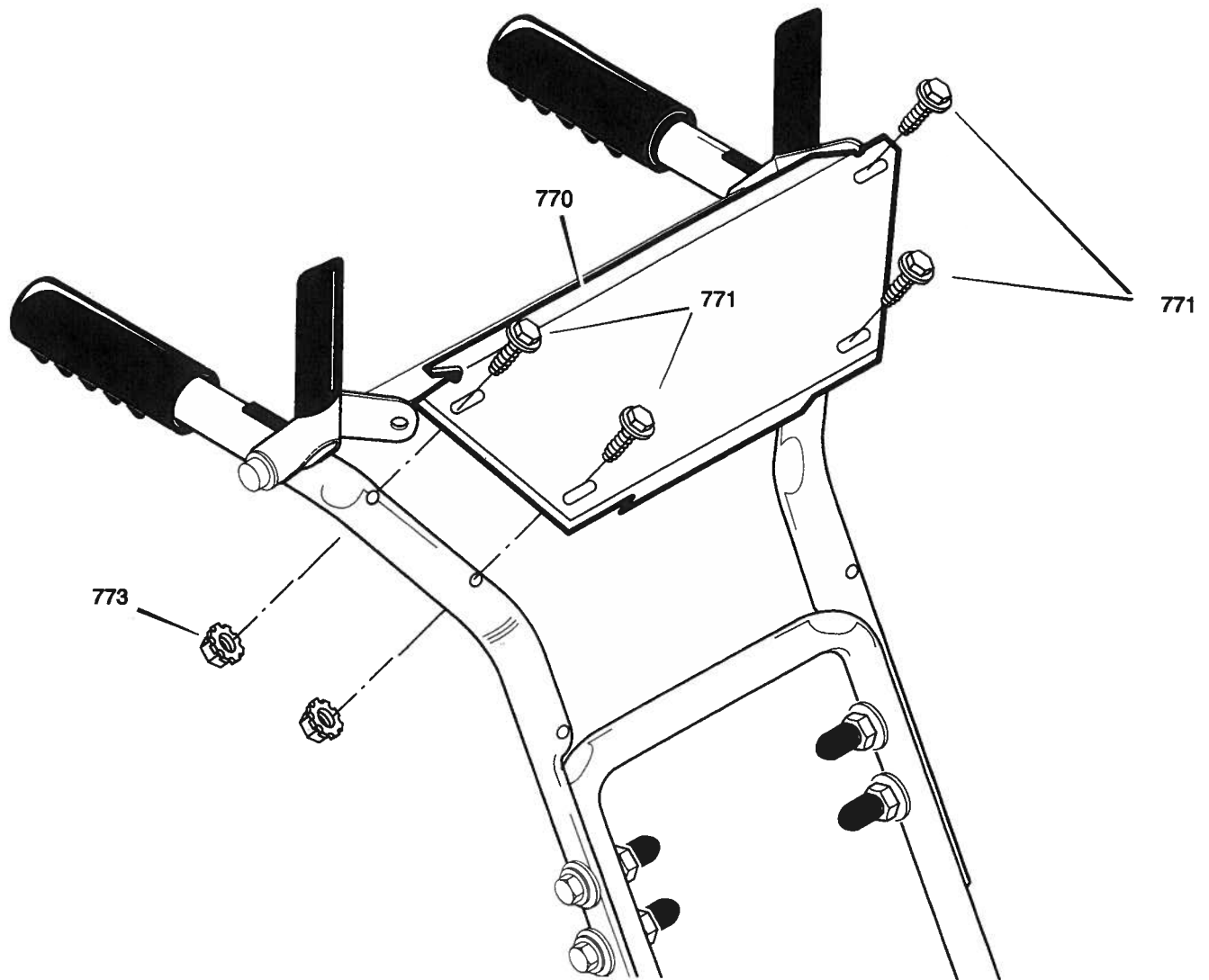
MODEL PO55TE24 (96198000100)

REPAIR PARTS DISCHARGE CHUTE

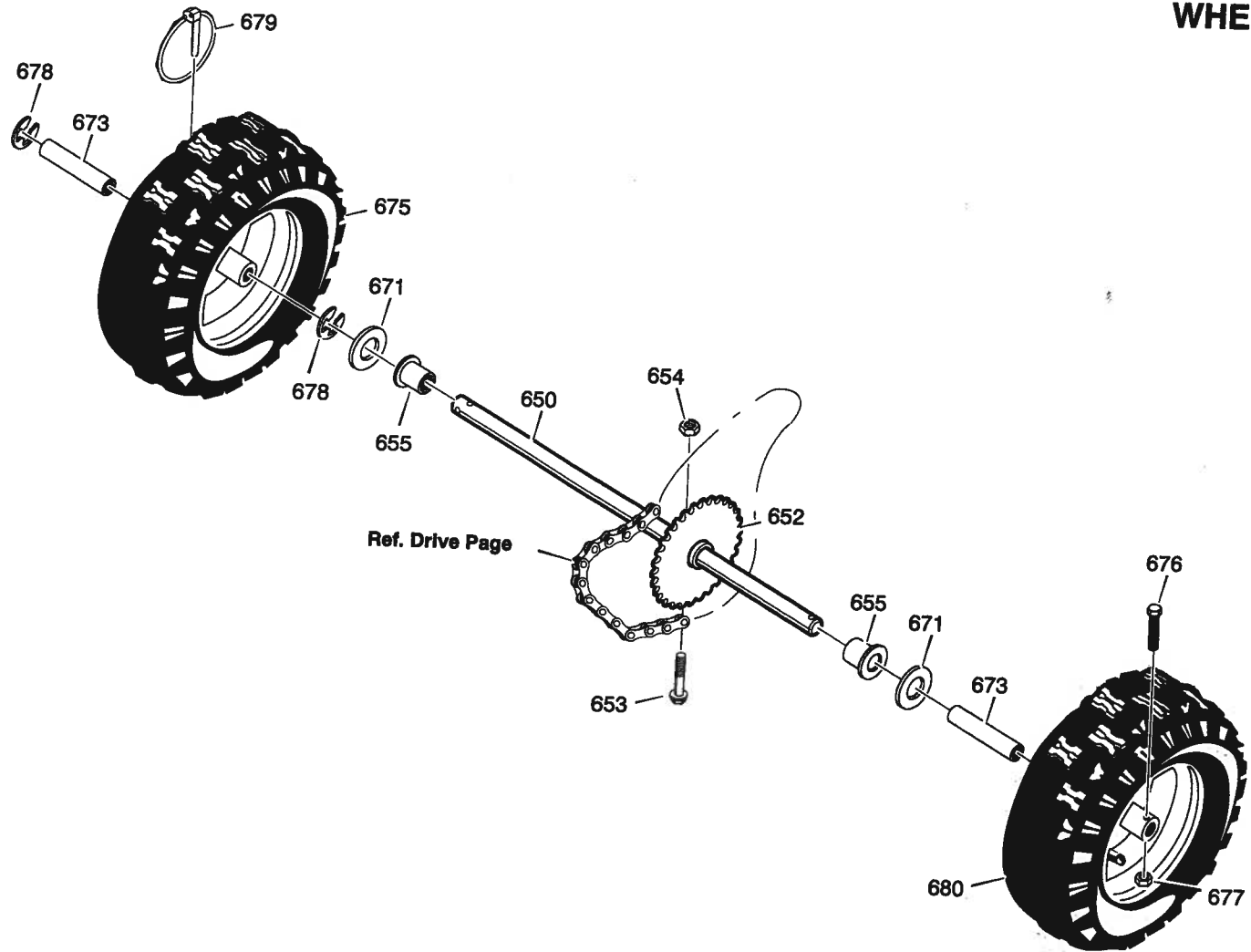
Key No.	Part No.	Description
582	198861	BOLT, 5/16-18 X 1.00 CARG.
583	198733	WASHER, FLAT
584	751153	NUT, 5/16-18 NYLOCK
596	198662	WASHER
597	198851	KNOB, WING 3.00
598	73800600	NUT, 5/16-18
599	198661	BOLT, 5/16-18X1.5
600	198842	CHUTE UPPER
601	198729	BOLT, CARRIAGE 5/16-18x1
602	198662	WASHER, FLAT
603	73800500	NUT, 5/16-18 HEXNYL
606	198659	CHUTE COLLAR
607	405024	SCREW, 1/4-20 X .75
610	198831	RETAINER RING INNER
611	198833	RETAINER RING OUTER
612	198844	CHUTE, LOWER
613	198846	WIRE FORM HINGE



Key No.	Part No.	Description
790	198725	ROD, SHIFT
791	198737	SCREW, 1/4-20X.75
792	73800400	NUT, 1/4-20
796	198736	KNOB, SLIP
800	198737	LEVER, SPRING
801	198727	SCREW, 1/4-20X.75
802	73800400	NUT, 1/4-20
812	198732X008	ROD ASSY., SPEED SELECT
813	198945	RETAINER, RING
814	198731	BEARING, FLANGED



Key No.	Part No.	Description
770	198717X428	PANEL
771	198720	SCREW
773	191730	NUT 1/4-20 CTR LOCK



Key No.	Part No.	Description
650	199039	SHAFT, AXLE
652	198679	SPRKT & HUB
653	198667	SCREW, 1/4-20 x 1.75
654	73800400	NUT, 1/4-20 HEX NYLOCK
655	198680	BEARING, AXLE
671	400025	FLATWASHER
673	199040	BUSHING, WHEEL
675	405067X417	TIRE & RIM, RIGHT
676	198674	SCREW, 1/4-20X1.75 HH
677	73800400	NUT, 1/4-20 HEX NYLOCK
678	198675	RING, RET
679	155443	PIN, KLIK .25 X 1.50 DIA
680	405066X417	TIRE & RIM, LEFT