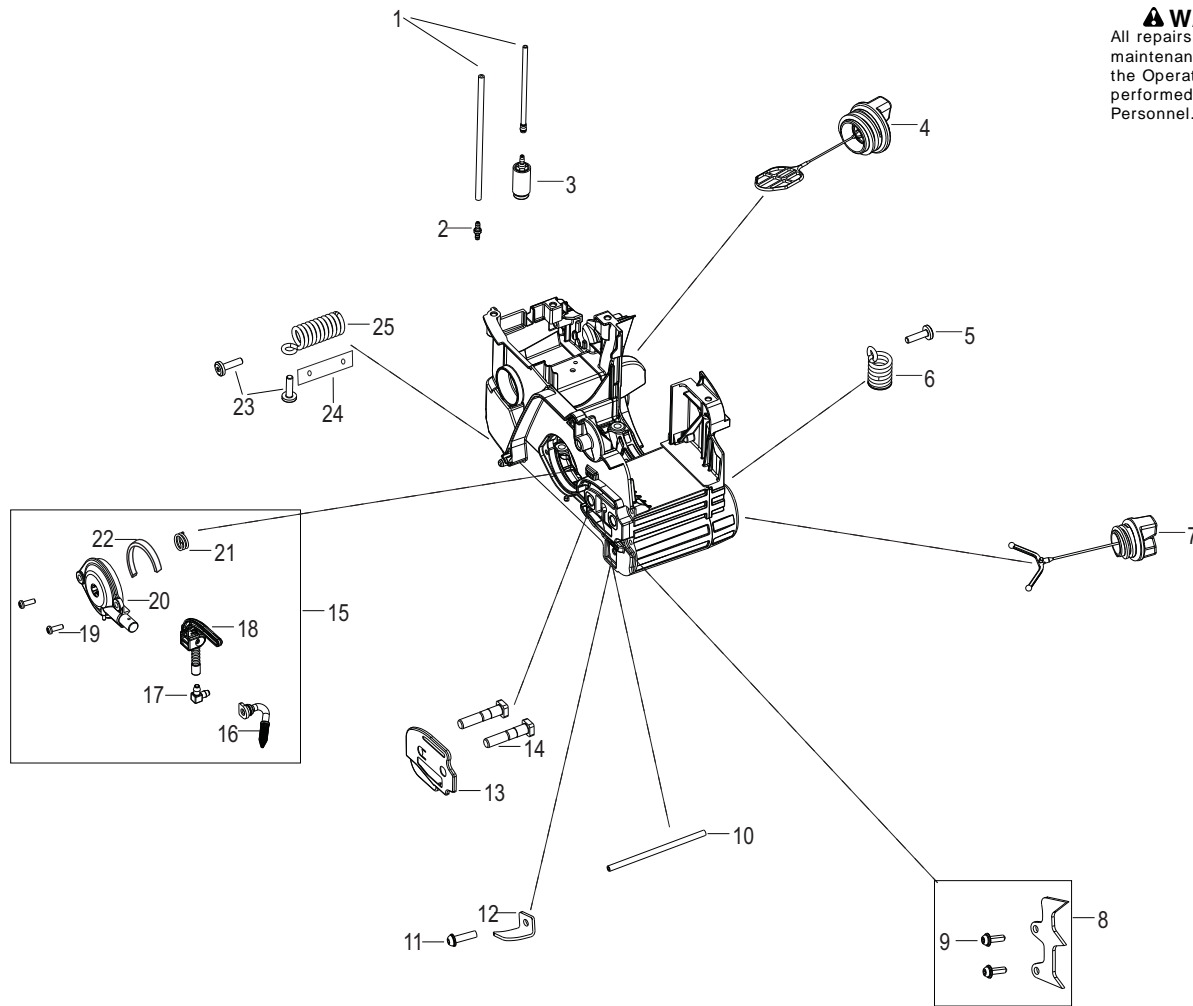


| | | | |
|-----------------------------|-----|---|---|
| Parts List No. 581469301 | | Poulan PRO [®] PARTS LIST | MODEL PP4818A (U.S.) |
| Date 9/24/12 | NEW | | NOTE : Illustration may differ from actual model due to design changes. |

⚠ WARNING
All repairs, adjustments and maintenance not described in the Operator's Manual must be performed by Qualified Service Personnel.

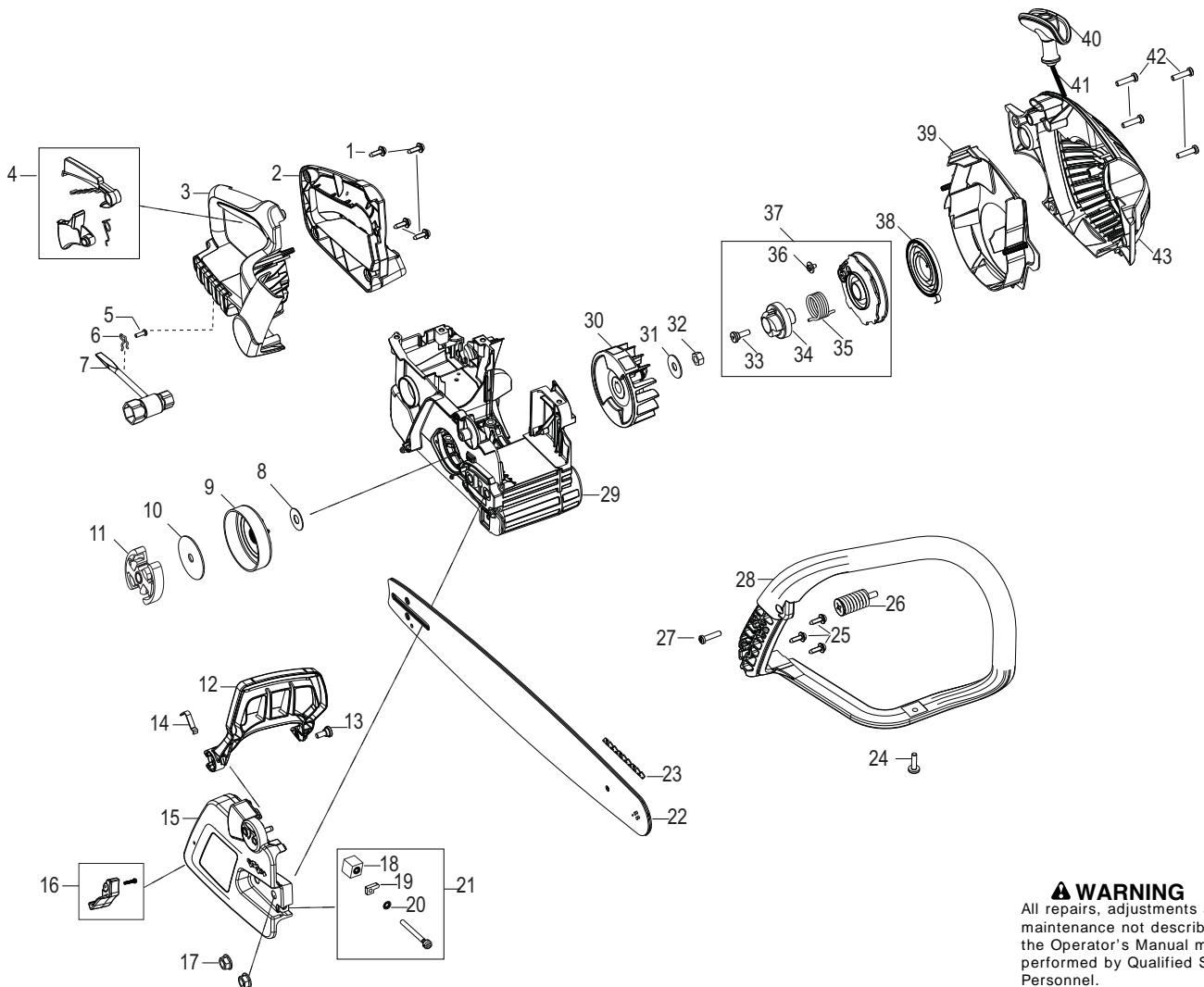


| Ref. | Part No. | Description | Ref. | Part No. | Description |
|------|-----------|---------------------------------------|------|-----------|--------------------|
| 1. | 580727101 | Kit - Fuel Line | 20. | 545165401 | Assy. - Oil Pump |
| 2. | 530023877 | Fitting - Fuel Line | 21. | 530037820 | Gear - Worm |
| 3. | 530095646 | Assy. - Fuel Pickup | 22. | 525318401 | Oil Pump Dust Seal |
| 4. | 577858501 | Assy. - Fuel Cap | 23. | 545210201 | Screw |
| 5. | 545210201 | Screw | 24. | 578297201 | Strap - AV |
| 6. | 545169501 | Assy. - Front Spring | 25. | 545178801 | Spring |
| 7. | 530057236 | Assy. - Oil Cap | | | |
| 8. | 530014381 | Kit - Spike (Incl. 9) | | | |
| 9. | 530016439 | Screw | | | |
| 10. | 545033501 | Assy. - Oil Vent | | | |
| 11. | 530016432 | Screw | | | |
| 12. | 530029850 | Catcher - Chain | | | |
| 13. | 545171701 | Bar Plate | | | |
| 14. | 530015877 | Bolt - Bar | | | |
| 15. | 576753201 | Kit - Oil Pump (16,17,18,19,20,21,22) | | | |
| 16. | 545221301 | Assy - Oil Pick Up w/filter | | | |
| 17. | 530049477 | Fitting - Oil Line Elbow | | | |
| 18. | 545128801 | Block - Oil | | | |
| 19. | 545227101 | Screw | | | |

✓ = New Part Number For This IPL

★ = Refer to the Service Reference Indicated for more information. (Located at the END of the IPL)

| | | | |
|-----------------------------|-----|--------------------------------|---|
| Parts List No. 581469301 | | Poulan PRO ® PARTS LIST | MODEL PP4818A (U.S.) |
| Date 9/24/12 | NEW | | NOTE : Illustration may differ from actual model due to design changes. |



WARNING
All repairs, adjustments and maintenance not described in the Operator's Manual must be performed by Qualified Service Personnel.

| Ref. | Part No. | Description | Ref. | Part No. | Description |
|------|-----------|-------------------------------------|------|-----------|--|
| 1. | 530016349 | Screw | 23. | 545196601 | Chain - 18" |
| 2. | 545171502 | Cover - Rear Handle | 24. | 545210201 | Screw |
| 3. | 545171402 | Handle - Rear | 25. | 530016349 | Screw |
| 4. | 576752801 | Kit - Trigger and Lockout | 26. | 545170901 | Spring - Cyl. Assy. |
| 5. | 545227101 | Screw | 27. | 530016432 | Screw |
| 6. | 545204601 | Clip - Srench | 28. | 578034501 | Handle - Front |
| 7. | 545204501 | Srench | 29. | 579062201 | Assy. - Chassis (Incl. caps, lines, bar studs) |
| 8. | 579621501 | Washer - Thrust | 30. | 525742101 | Assy. - Flywheel |
| 9. | 545171901 | Assy. - Clutch Drum | 31. | 530015127 | Washer - Flywheel |
| 10. | 530015611 | Washer - Clutch | 32. | 530016134 | Nut - Flywheel |
| 11. | 579551001 | Assy. - Clutch | 33. | 530021179 | Screw - Shoulder |
| 12. | 579070401 | Handguard | 34. | 545178201 | Hub - Starter |
| 13. | 545127301 | Screw - Shoulder | 35. | 545211901 | Spring - Starter |
| 14. | 530016416 | Spring - Handguard | 36. | 530016080 | Screw |
| 15. | 577234603 | Assy. - Clutch Cover (Incl. 21) | 37. | 576744401 | Kit - EPS Starter (33,34,35,36) |
| 16. | 578353401 | Kit - Wear Protector | 38. | 530042095 | Spring - Recoil |
| 17. | 530015917 | Nut - Bar | 39. | 574394701 | Baffle |
| 18. | 576695201 | Bearing Sleeve | 40. | 525310201 | Handle - Starter |
| 19. | 530015826 | Pin - Bar Adjustment | 41. | 530069919 | Kit - Rope |
| 20. | 530038593 | Retainer - Bar Adjustment | 42. | 530016432 | Screw |
| 21. | 576752301 | Kit - Bar Adjust (Incl. 18, 19, 20) | 43. | 574394501 | Fan Housing |
| 22. | 545196101 | Bar - 18" 3/8" ProAm | | | |

✓ = New Part Number For This IPL

★ = Refer to the Service Reference Indicated for more information.(Located at the END of the IPL)