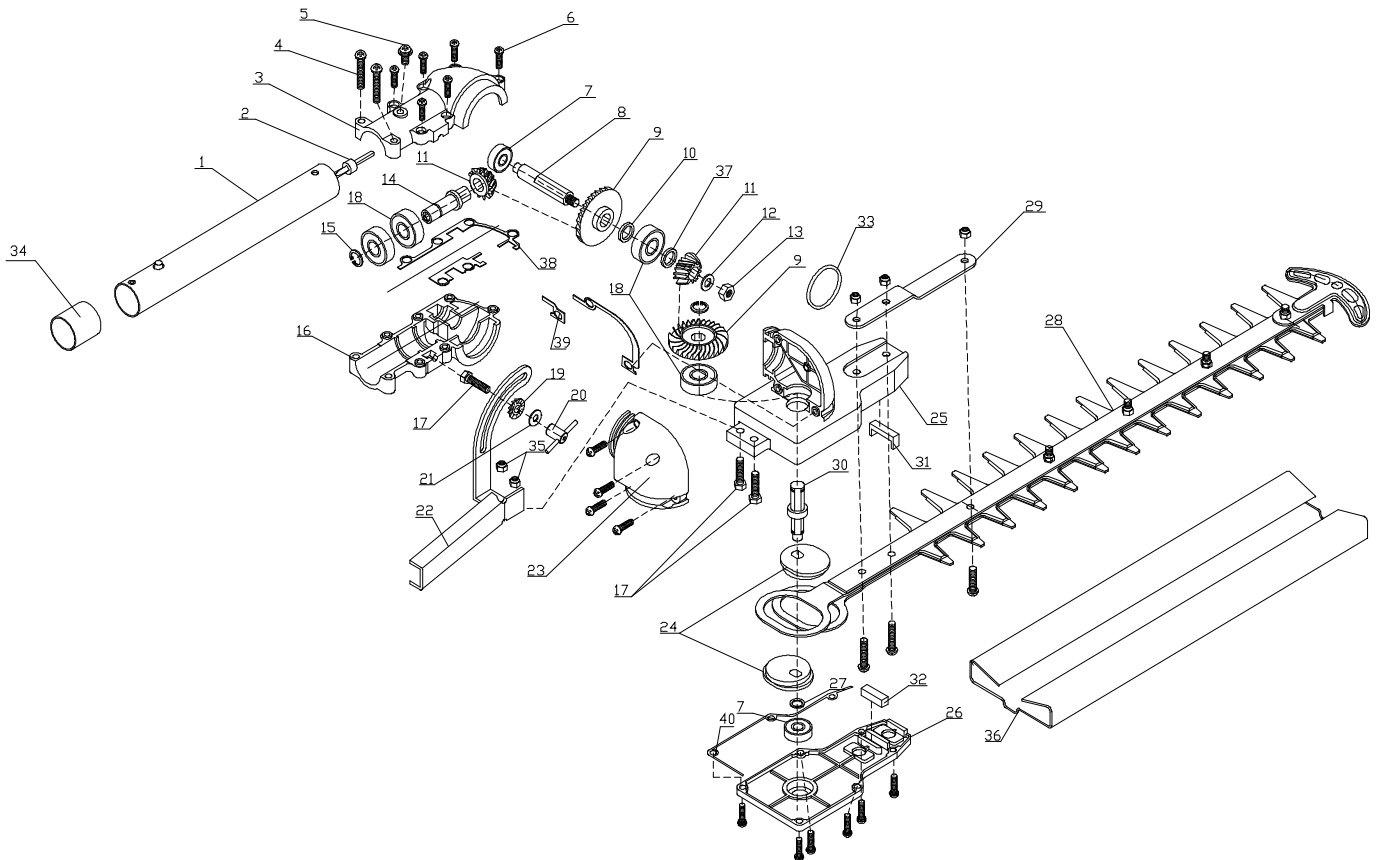


|  |                                  |           |              |
|--|----------------------------------|-----------|--------------|
| SPECIFY MODEL NO. WHEN ORDERING PARTS    |                                  | DATE      | REVISED DATE |
| Attachment of Hedge Trimmer              |                                  | 2009-8-11 | 2009-8-11    |
| MODEL NO. PPB 6000H<br>MODEL NO. PP6000H | SKU# 952711673<br>SKU# 952711674 |           |              |



| No. | STK CODE | Parts No.   | Description            | Q  | No. | STK CODE | Parts No.   | Description             | Q |
|-----|----------|-------------|------------------------|----|-----|----------|-------------|-------------------------|---|
| 1   | A        | 9228-A10606 | CONNECTION STICK ASS'Y | 1  | 21  | B        | 6WFZ-05-15  | WASHER                  | 1 |
| 2   | B        | 9228-A10604 | FLEXIBLE SHAFT         | 1  | 22  | C        | 9068-A10601 | HANDLE                  | 1 |
| 3   | C        | 9038-A10601 | HOUSING (L), STICK     | 1  | 23  | C        | 9038-A10603 | HOUSING (L), BLADE      | 1 |
| 4   | B        | 9SXAZM05-30 | SCREW                  | 2  | 24  | B        | 9040-A10601 | ECCENTRIC BLOCK         | 2 |
| 5   | B        | 9SDAZM05-10 | SCREW                  | 1  | 25  | B        | 9038-A10604 | HOUSING (R), BLADE      | 1 |
| 6   | B        | 6SQAZ-04-14 | SCREW                  | 16 | 26  | B        | 9017-A10601 | COVER                   | 1 |
| 7   | A        | 6MB-607-01  | BEARING                | 2  | 27  | A        | 6CC-08      | C RING                  | 1 |
| 8   | C        | 9127-A10602 | SHAFT                  | 1  | 28  | A        | 9228-A10610 | BLADE ASS'Y, RED STRIPE | 1 |
| 9   | A        | 9073-A10601 | GEAR                   | 2  | 29  | B        | 9102-A10601 | PLATE                   | 1 |
| 10  | B        | 9014-A10601 | WASHER                 | 2  | 30  | C        | 9127-A10603 | OUTPUT SHAFT            | 1 |
| 11  | B        | 9073-A10602 | GEAR                   | 2  | 31  | B        | 9157-A10601 | FELT                    | 1 |
| 12  | B        | 6WFB-06     | WASHER                 | 1  | 32  | B        | 9157-A10602 | FELT                    | 1 |
| 13  | B        | 6NGB-06     | NUT                    | 1  | 33  | A        | 9012-A10601 | GASKET                  | 1 |
| 14  | A        | 9127-A10601 | INPUT SHAFT            | 1  | 34  | C        | 9105-330301 | PLUG                    | 1 |
| 15  | A        | 6CD-10      | C RING                 | 4  | 35  | B        | 6NGZ-05     | NUT                     | 4 |
| 16  | C        | 9038-A10602 | HOUSING (R), STICK     | 1  | 36  | C        | 9101-A10601 | BLADE COVER             | 1 |
| 17  | B        | 9SXAZ-05-20 | SCREW                  | 3  | 37  | C        | 9014-A10604 | WASHER                  | 1 |
| 18  | A        | 6DB-600001  | BEARING                | 4  | 38  | B        | 9050-A10601 | SEAL                    | 1 |
| 19  | B        | 9014-A10603 | GASKET                 | 1  | 39  | B        | 9050-A10602 | SEAL                    | 1 |
| 20  | B        | 9068-A10602 | LOCKING HANDLE         | 1  | 40  | B        | 9050-A10603 | SEAL                    | 2 |

Stocking Codes are:

A - Dealer stocked

B - Distributor stocked

C - Factory stocked

**Attachment of Hedge  
Trimmer  
TBAH**

**PARTS LIST**

| No. | Parts No.   | Description            | Q  |
|-----|-------------|------------------------|----|
| 1   | 9228-A10606 | CONNECTION STICK ASS'Y | 1  |
| 2   | 9228-A10604 | FLEXIBLE SHAFT         | 1  |
| 3   | 9038-A10601 | HOUSING (L), STICK     | 1  |
| 4   | 9SXAZM05-30 | SCREW                  | 2  |
| 5   | 9SDAZM05-10 | SCREW                  | 1  |
| 6   | 6SQAZ-04-14 | SCREW                  | 16 |
| 7   | 6MB-607-01  | BEARING                | 2  |
| 8   | 9127-A10602 | SHAFT                  | 1  |
| 9   | 9073-A10601 | GEAR                   | 2  |
| 10  | 9014-A10601 | WASHER                 | 2  |
| 11  | 9073-A10602 | GEAR                   | 2  |
| 12  | 6WFB-06     | WASHER                 | 1  |
| 13  | 6NGB-06     | NUT                    | 1  |
| 14  | 9127-A10601 | INPUT SHAFT            | 1  |
| 15  | 6CD-10      | C RING                 | 4  |
| 16  | 9038-A10602 | HOUSING (R), STICK     | 1  |
| 17  | 9SXAZ-05-20 | SCREW                  | 3  |
| 18  | 6DB-600001  | BEARING                | 4  |
| 19  | 9014-A10603 | GASKET                 | 1  |
| 20  | 9068-A10602 | LOCKING HANDLE         | 1  |
| 21  | 6WFZ-05-15  | WASHER                 | 1  |
| 22  | 9068-A10601 | HANDLE                 | 1  |
| 23  | 9038-A10603 | HOUSING (L), BLADE     | 1  |
| 24  | 9040-A10601 | ECCENTRIC BLOCK        | 2  |
| 25  | 9038-A10604 | HOUSING (R), BLADE     | 1  |
| 26  | 9017-A10601 | COVER                  | 1  |
| 27  | 6CC-08      | C RING                 | 1  |
| 28  | 9228-A10610 | BLADE ASS'Y            | 1  |
| 29  | 9102-A10601 | PLATE                  | 1  |
| 30  | 9127-A10603 | OUTPUT SHAFT           | 1  |
| 31  | 9157-A10601 | FELT                   | 1  |
| 32  | 9157-A10602 | FELT                   | 1  |
| 33  | 9012-A10601 | GASKET                 | 1  |
| 34  | 9105-330301 | PLUG                   | 1  |
| 35  | 6NGZ-05     | NUT                    | 4  |

**Attachment of Hedge  
Trimmer  
TBAH**

**PARTS LIST**

| <b>No.</b> | <b>Parts No.</b>   | <b>Description</b> | <b>Q</b> |
|------------|--------------------|--------------------|----------|
| <b>36</b>  | <b>9101-A10601</b> | <b>BLADE COVER</b> | <b>1</b> |
| 37         | 9014-A10604        | WASHER             | 1        |
| <b>38</b>  | <b>9050-A10601</b> | <b>SEAL</b>        | <b>1</b> |
| 39         | 9050-A10602        | SEAL               | 1        |
| <b>40</b>  | <b>9050-A10603</b> | <b>SEAL</b>        | <b>2</b> |