

# Poulan PRO<sup>®</sup>

ENGLISH



Please do not return unit to retailer.  
Por favor, no devuelva el aparato al lugar de compra.  
Veuillez ne pas retourner l'outil au détaillant.

**1-855-378-6903**

Register your product online at:

Registre su producto en línea en:

Enregistrez votre produit en ligne à l'adresse :  
**www.poulanpro.com**

## Instruction Manual Manual de Instrucciones Manuel d'Instructions 40V 8-Inch Pole Saw

ESPAÑOL



### PPB40PS



#### **WARNING:**

Read and follow all Safety Rules and Operating Instructions before using this product. Failure to do so can result in serious injury.

#### **ADVERTENCIA:**

Lea el manual de instrucciones y siga todas las advertencias e instrucciones de seguridad. El no hacerlo puede resultar en lesiones graves.

#### **AVERTISSEMENT:**

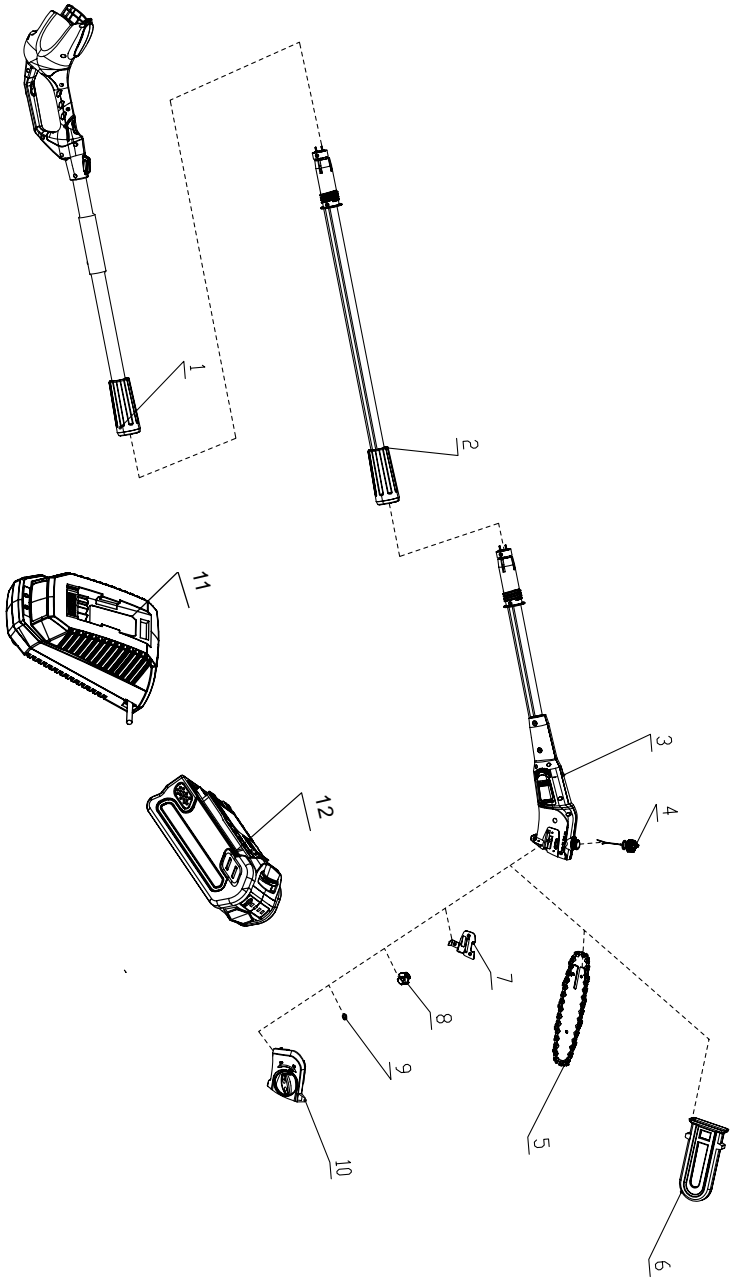
Lire le manuel d'instructions et bien respecter tous les avertissements et toutes les instructions de sécurité. Tout défaut de le faire pourrait entraîner des blessures graves.

POULAN PRO  
9335 Harris Corners Parkway  
Charlotte, NC 28269

POULAN PRO  
850 Matheson Blvd. West  
Mississauga, Ontario L5V 0B4

FRANÇAIS

# EXPLODED VIEW



# PARTS LIST

<b>ITEM NO.</b>	<b>PART NO.</b>	<b>DESCRIPTION</b>	<b>QTY</b>
1	311031881	Handle Pole Assembly	1
2	311041881	Extension Pole Assembly	1
3	311051881	Housing Assembly	1
4	311061881	Cap Assembly	1
5	311071881	Bar and Chain	1
6	34112320-6	Scabbard	1
7	33302586	Chain Supporting Plate	1
8	33902102-2	Sprocket	1
9	3290875-1	C-Clip	1
10	311081881	Side Cover Assembly	1
11	31127998	Charger	1
12	31117976	Battery Pack (40V 2Ah)	1

# LIMITED WARRANTY

**POULAN PRO**, a division of Husqvarna Consumer Outdoor Products N.A., Inc., hereby warrants this product, to the original purchaser with proof of purchase, for a period of four (4) years against defects in materials, parts, or workmanship.

**POULAN PRO**, at its own discretion will repair or replace any and all parts found to be defective, through normal use, free of charge to the customer. This warranty is valid only for units which have been used for personal use that have not been hired or rented for industrial/commercial use, and that have been maintained in accordance with the instructions in the owners manual supplied with the product.

Battery carries a two (2) year warranty against defects in workmanship and materials. Batteries must be charged in accordance with the operator's manuals directions and regulations in order to be valid.

This warranty is not transferable. This warranty does not cover damaged parts from improper handling, commercial use, abuse, neglect, accident, improper maintenance, alteration, or the use of accessories and/or attachments not specifically recommended by **POULAN PRO** for this product. Additionally, this warranty does not cover parts that will wear from normal use, and normal deterioration of the exterior finish due to use or exposure. This warranty does not cover predelivery setup, or normal adjustments explained in the instruction manual.

Transportation Charges: Transportation charges for the movement of any power equipment unit or attachment are the responsibility of the purchaser. It is the purchaser's responsibility to pay transportation charges for any part submitted for replacement under this warranty unless such return is requested in writing by **POULAN PRO**.

Should you have any unanswered questions concerning this warranty, please contact:  
**POULAN PRO**, a division of Husqvarna Consumer Outdoor Products N.A., Inc.  
9335 Harris Corners Parkway  
Charlotte, NC 28269  
1-855-378-6903

In Canada, contact:

**POULAN PRO**  
850 Matheson Blvd. West  
Mississauga, Ontario L5V 0B4  
Giving the model number, serial number and date of purchase of your product and the name and address of the authorized dealer from whom it was purchased.

THIS WARRANTY GIVES YOU SPECIFIC LEGAL RIGHTS, AND YOU MAY HAVE OTHER RIGHTS WHICH VARY FROM STATE TO STATE.

NO CLAIMS FOR CONSEQUENTIAL OR OTHER DAMAGES WILL BE ALLOWED, AND THERE ARE NO OTHER EXPRESS WARRANTIES EXCEPT THOSE EXPRESSLY STIPULATED HERIN.

SOME STATES DO NOT ALLOW LIMITATIONS ON HOW LONG AN IMPLIED WARRANTY LASTS OR THE EXCLUSION OR LIMITATIONS OF INCIDENTAL OR CONSEQUENTIAL DAMAGES, SO THE ABOVE LIMITATIONS OR EXCLUSION MAY NOT APPLY TO YOU.

This limited warranty within the meaning of that term as defined in the Magnuson-Moss Act of 1975.

The policy of **POULAN PRO** is to continuously improve its products. Therefore, **POULAN PRO** reserves the right to change, modify, or discontinue models, designs, specifications, and accessories of all products at any time without notice or obligation to any purchaser.