

Poulan PRO



OWNER'S MANUAL

MODEL NUMBER:

PR100

SNOW THROWER

⚠ WARNING:

Read the Owner's Manual and follow all Warnings and Safety Instructions. Failure to do so can result in serious injury.

Gasoline containing up to 10% ethanol (E10) is acceptable for use in this machine. The use of any gasoline exceeding 10% ethanol (E10) will void the product warranty.

Always Wear Eye Protection During Operation

CONGRATULATIONS on your purchase of a new snow thrower. It has been designed, engineered and manufactured to give best possible dependability and performance.

Should you experience any problem you cannot easily remedy, please contact your nearest authorized service center. We have competent, well-trained technicians and the proper tools to service or repair this unit.

Please read and retain this manual. The instructions will enable you to assemble and maintain your snow thrower properly. Always observe the "SAFETY RULES".

Safe Operation Practices for Walk-Behind Snow Throwers

IMPORTANT: This snow thrower is capable of amputating hands and feet and throwing objects. Failure to observe the following safety instructions could result in serious injury.



Look for this symbol  to point out important safety precautions. It means **CAUTION!!! BECOME ALERT!!! YOUR SAFETY IS INVOLVED.**



WARNING: Always disconnect spark plug wire and place it where it cannot contact plug in order to prevent accidental starting when setting up, transporting, adjusting or making repairs.



WARNING: This snow thrower is for use on sidewalks, driveways and other ground level surfaces. Caution should be exercised while using on sloping surfaces. Do not use snow thrower on surfaces above ground level such as roofs of residences, garages, porches or other such structures or buildings.



WARNING: Snow throwers have exposed rotating parts, which can cause severe injury from contact, or from material thrown from the discharge chute. Keep the area of operation clear of all persons, small children and pets at all times including startup.



CAUTION: Muffler and other engine parts become extremely hot during operation and remain hot after engine has stopped. To avoid severe burns on contact, stay away from these areas.



WARNING: Engine exhaust, some of its constituents, and certain vehicle components contain or emit chemicals known to the State of California to cause cancer and birth defects or other reproductive harm.

Training

1. Read, understand and follow all instructions on the machine and in the manual(s) before operating this unit. Be thoroughly familiar with the controls and the proper use of the equipment. Know how to stop the unit and disengage the controls quickly.
2. Never allow children to operate the equipment. Never allow adults to operate the equipment without proper instruction.
3. Keep the area of operation clear of all persons, particularly small children.
4. Exercise caution to avoid slipping or falling, especially when operating the snow thrower in reverse.

Preparation

1. Thoroughly inspect the area where the equipment is to be used and remove all doormats, sleds, boards, wires, and other foreign objects.
2. Ensure the control bar is released before starting the engine.
3. Do not operate the equipment without wearing adequate winter garments. Avoid loose fitting clothing that can get caught in moving parts. Wear footwear that will improve footing on slippery surfaces.
4. Handle fuel with care; it is highly flammable
 - (a) Use an approved fuel container.
 - (b) Never add fuel to a running engine or hot engine.

- (c) Fill fuel tank outdoors with extreme care. Never fill fuel tank indoors.
 - (d) Never fill containers inside a vehicle or on a truck or trailer bed with a plastic liner. Always place containers on the ground, away from your vehicle, before filling.
 - (e) When practical, remove gas-powered equipment from the truck or trailer and refuel it on the ground. If this is not possible, then refuel such equipment on a trailer with a portable container, rather than from a gasoline dispenser nozzle.
 - (f) Keep the nozzle in contact with the rim of the fuel tank or container opening at all times, until refueling is complete. Do not use a nozzle lock-open device.
 - (g) Replace gasoline cap securely and wipe up spilled fuel.
 - (h) If fuel is spilled on clothing, change clothing immediately.
5. Use extension cords and receptacles as specified by the manufacturer for all units with electric drive motors or electric starting motors.
 6. Never attempt to make any adjustments while the engine (motor) is running (except when specifically recommended by manufacturer).
 7. Always wear safety glasses or eye shields during operation or while performing an adjustment or repair to protect eyes from foreign objects that may be thrown from the machine.
 8. Use ear protectors to avoid damage to hearing.

Operation

1. Do not put hands or feet near or under rotating parts. Keep clear of the discharge opening at all times.
2. Exercise extreme caution when operating on or crossing gravel drives, walks, or roads. Stay alert for hidden hazards or traffic.
3. After striking a foreign object, stop the engine (motor), disconnect the cord on electric motors, thoroughly inspect the snow thrower for any damage, and repair the damage before restarting and operating the snow thrower. Remove key.
4. If the unit should start to vibrate abnormally, stop the engine (motor) and check immediately for the cause. Vibration is generally a warning of trouble.
5. Stop the engine (motor) whenever you leave the operating position, before unclogging the auger housing or discharge chute, and when making any repairs, adjustments or inspections.
6. When cleaning, repairing or inspecting the snow thrower, stop the engine and make certain the auger blades and all moving parts have stopped. Remove key.
7. Do not run the engine indoors, except when starting the engine and for transporting the snow thrower in or out of the building. Open the outside doors; exhaust fumes are dangerous.
8. Exercise extreme caution when operating on slopes.
9. Never operate the snow thrower without proper guards, and other safety protective devices in place and working.
10. Never direct the discharge toward people or areas where property damage can occur. Keep children and others away.
11. Do not overload the machine capacity by attempting to clear snow at too fast a rate.
12. Never operate the machine at high transport speeds on slippery surfaces. Look behind and use care when operating in reverse.
13. Disengage power to the auger blades when snow thrower is transported or not in use.
14. Use only attachments and accessories approved by the manufacturer of the snow thrower.
15. Never operate the snow thrower without good visibility or light. Always be sure of your footing, and keep a firm hold on the handles. Walk; never run.
16. Never touch a hot engine or muffler.

Clearing a Clogged Discharge Chute



Hand contact with the rotating auger blades inside the discharge chute is the most common cause of injury associated with snow throwers. Never use your hand to clean out the discharge chute.

To clear the chute:

1. SHUT THE ENGINE OFF!
2. Wait 10 seconds to be sure the auger blades have stopped rotating.
3. Always use a clearing tool at least 15 inches long.

Maintenance and Storage

1. Check shear bolts and other bolts at frequent intervals for proper tightness to be sure the equipment is in safe working condition.
2. Never store the machine with fuel in the fuel tank inside a building where ignition sources are present such as hot water heaters, space heaters, or clothes dryers. Allow the engine to cool before storing in any enclosure.
3. Always refer to operator's manual for important details if the snow thrower is to be stored for an extended period.
4. Maintain or replace safety and instruction labels, as necessary.
5. Run the machine a few minutes after throwing snow to prevent freeze-up of the collector/impeller.

SERIAL NUMBER: _____

DATE OF PURCHASE: _____

THE MODEL AND SERIAL NUMBERS WILL BE FOUND ON A DECAL ATTACHED TO THE REAR OF THE SNOW THROWER HOUSING (Figure 1).

YOU SHOULD RECORD BOTH SERIAL NUMBER AND DATE OF PURCHASE AND KEEP IN A SAFE PLACE FOR FUTURE REFERENCE.

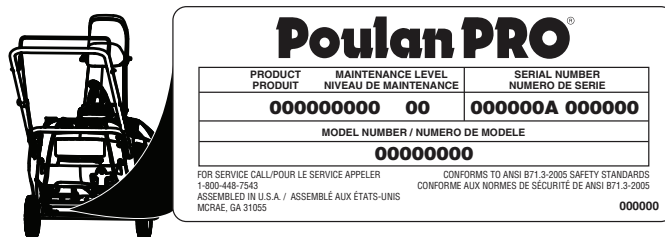


Figure 1

CUSTOMER RESPONSIBILITIES

- Read and observe the safety rules.
- Follow a regular schedule in maintaining, caring for and using your snow thrower.
- Follow the instructions under "Maintenance" and "Storage" sections of this manual.

PRODUCT SPECIFICATIONS

Gasoline Capacity and Type:	1.6 Quarts (1,5 Liters) Unleaded Regular only
Oil Type (API SG-SL):	SAE 30 (above 50°F) SAE 5W-30 or 10W-30 (32° to 50°F) SAE 5W-30 (below 32°F)
Oil Capacity:	16 Ounces (0,47 Liters)
Spark Plug:	F6RTC
Gap:	0.030" (0,762 mm)

TABLE OF CONTENTS

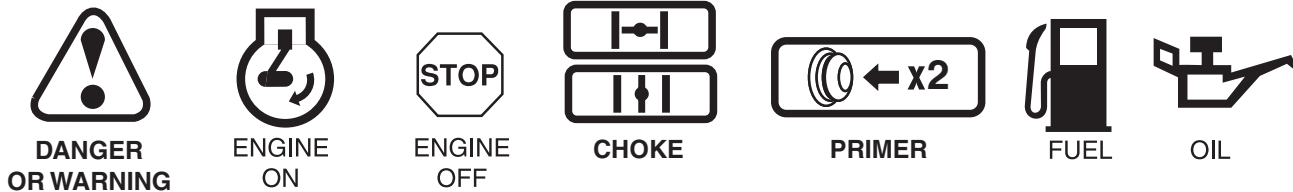
SAFETY RULES.....	2-3	MAINTENANCE.....	12-16
PRODUCT SPECIFICATIONS.....	3	STORAGE.....	17
CUSTOMER RESPONSIBILITIES.....	3	TROUBLESHOOTING.....	18
SAFETY AND INSTRUCTIONAL DECALS.....	4	REPAIR PARTS.....	20-29
SETUP.....	5-6	WARRANTY.....	30
OPERATION.....	7-11		

KNOW YOUR SNOW THROWER

READ THIS OWNER'S MANUAL AND ALL SAFETY RULES BEFORE OPERATING YOUR SNOW THROWER. Compare the illustrations with your snow thrower to familiarize yourself with the location of various controls and adjustments. Save this manual for future reference.

These symbols may appear on your snow thrower or in literature supplied with the product. Learn and understand their meaning.

IMPORTANT: Safety and instruction decals are located near areas of potential danger. Replace damaged decals.



DANGER OR WARNING

ENGINE ON

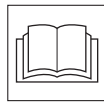
ENGINE OFF

CHOKE

PRIMER

FUEL

OIL



READ AND FOLLOW ALL SAFETY INFORMATION AND INSTRUCTIONS BEFORE USE OF THIS PRODUCT. KEEP THESE INSTRUCTIONS FOR FUTURE REFERENCE.



EAR PROTECTION REQUIRED



IGNITION KEY. INSERT TO START AND RUN, PULL OUT TO STOP.

⚠ DANGER

Shut off engine before unclogging chute. A clean-out tool must be used. Never use your hand to unclog chute.

Les blocages ne doivent pas être dégagés jusqu'à ce que le moteur soit au point mort. Utilisez un outil pour nettoyage. N'utilisez jamais vos mains pour nettoyer les chutes.

435835

⚠ DANGER

TO AVOID INJURY FROM ROTATING AUGER - KEEP HANDS, FEET AND CLOTHING AWAY.

POUR ÉVITER DES BLESSURES SÉRIEUSES AVEC LA FOREUSE TOURNANTE - GARDEZ LES MAINS, LES PIEDS ET LES VÊTEMENTS LOIN.

435824

⚠ DANGER

<ul style="list-style-type: none"> • Read and follow owner's manual. • Never allow children to operate snowthrower. • Keep all shields and guards in place while operating. 	<ul style="list-style-type: none"> • Lisez le manuel du propriétaire. • N'autorisez jamais que le enfants utilisent le chasse - neige. • Gardez tous les déflecteurs en place pendant l'utilisation.
<ul style="list-style-type: none"> • Shut off engine and remain behind handles until all moving parts have stopped before unclogging or servicing unit. 	<ul style="list-style-type: none"> • Arrêtez le moteur et restez derrière des guidons jusqu'à ce que toutes les pièces mobiles se soient arrêtées avant de déboucher ou de faire aucun entretien à l'unité.
<ul style="list-style-type: none"> • To avoid thrown object injuries never direct discharge at bystanders. Use extra caution when operating on gravel surfaces. 	<ul style="list-style-type: none"> • Pour éviter des blessures sérieuses d'objets projetés; soyez conscient que l'orientation de la décharge ne soit jamais dirigée aux spectateurs. Prenez des précautions particulières quand vous allez sur des surfaces de gravier.

←→ START RUN | |

435842

Setup

Loose Parts

Use the chart below to verify that all parts have been shipped.

Procedure	Description	Qty.	Use
1.	No parts required	–	Unfold the handle.
2.	Carriage bolts	4	Install the discharge chute.
	Shoulder Bolt	1	Install the discharge chute.
	Flange nuts	4	Install the discharge chute.
	Washer	1	Install the discharge chute.
	Knob	1	Install the discharge chute.
	Cap Plunger	1	Install the discharge chute.
	Chute	1	
	Deflector	1	

1. Unfolding the Handle

Procedure

- Loosen the two handle knobs and pull out the two handle bolts until you can move the handle freely and rotate the handle to the operating position (Figure 2).

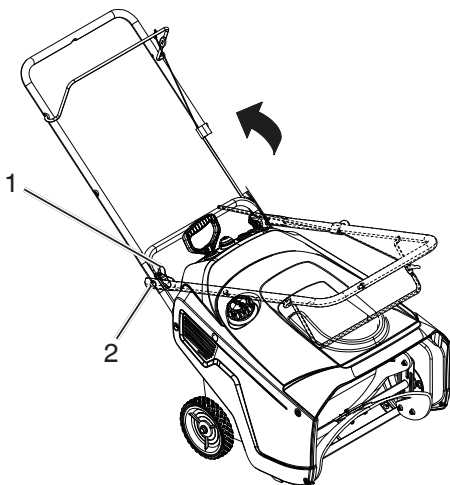


Figure 2

1. Handle knobs 2. Handle bolt

- Tighten the handle knobs until they are snug (Figure 3).

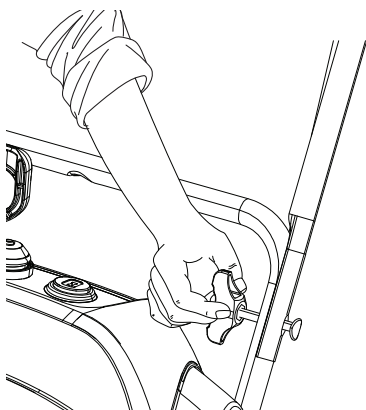


Figure 3

2. Installing the Discharge Chute

Procedure

- Install the chute deflector to the discharge chute using bolts and, washer, nut, deflector knob and cap plunger (Figure 4).
- Install the discharge chute to the chute base using three screws and nuts (Figure 4).

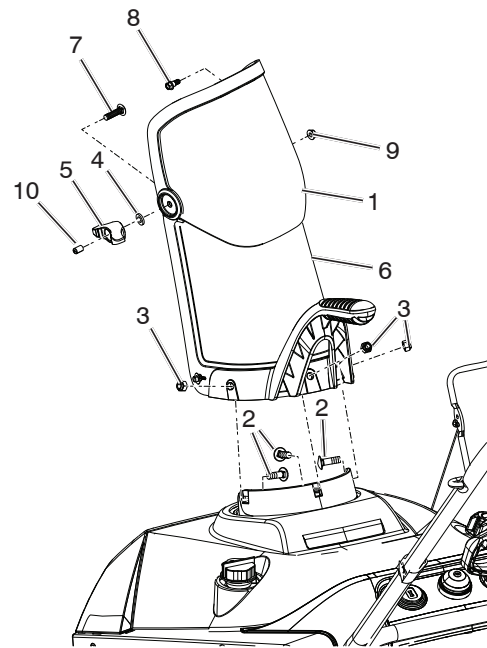


Figure 4

- | | |
|------------------------|-----------------------|
| 1. Deflector | 6. Discharge chute |
| 2. Carriage bolts | 7. Carriage Bolt |
| 3. Flange nuts 5/16-18 | 8. Shoulder Bolt |
| 4. Washer | 9. Flange nuts 1/4-20 |
| 5. Knob | 10. Cap Plunger |

IMPORTANT: Do not overtighten the flange nuts; otherwise you may damage the discharge chute.

3. Filling the Engine with Oil

ENGINE

See engine manual.

LUBRICATION

NOTE: SAE 10W30 or SAE 5W30 oil is acceptable for use in cold temperatures if engine is difficult to start.

NOTE: Although multi-viscosity oils (5W30, 10W30 etc.) improve starting in cold weather, these multi-viscosity oils will result in increased oil consumption when used above 32°F. Check your engine oil level more frequently to avoid possible engine damage from running low on oil.

Change the oil after every 25 hours of operation or at least once a year if the snow thrower is not used for 25 hours in one year.

Check the crankcase oil level before starting the engine and after each five (5) hours of continuous use. Tighten oil fill cap / dipstick securely each time you check the oil level.

1. Move the snowthrower to a level surface.
2. Clean around the dipstick (Figure 5).

NOTE: Dipstick location may vary depending on engine type.

3. Remove either side mounted filler cap dipstick or high oil fill dipstick and wipe it clean.

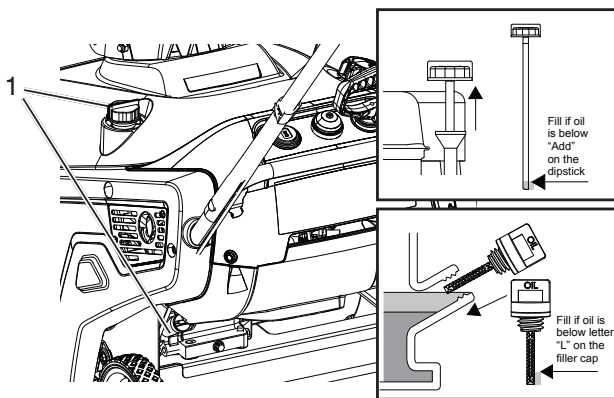


Figure 5

1. Oil filler cap/dipstick

4. Insert the dipstick into the filler neck and turn clockwise until fully seated. Then remove the dipstick by turning it counter-clockwise.
5. Fill oil to "FULL" on dipstick with the recommended oil.
6. Securely screw in the oil filler cap/dipstick.

Product Overview

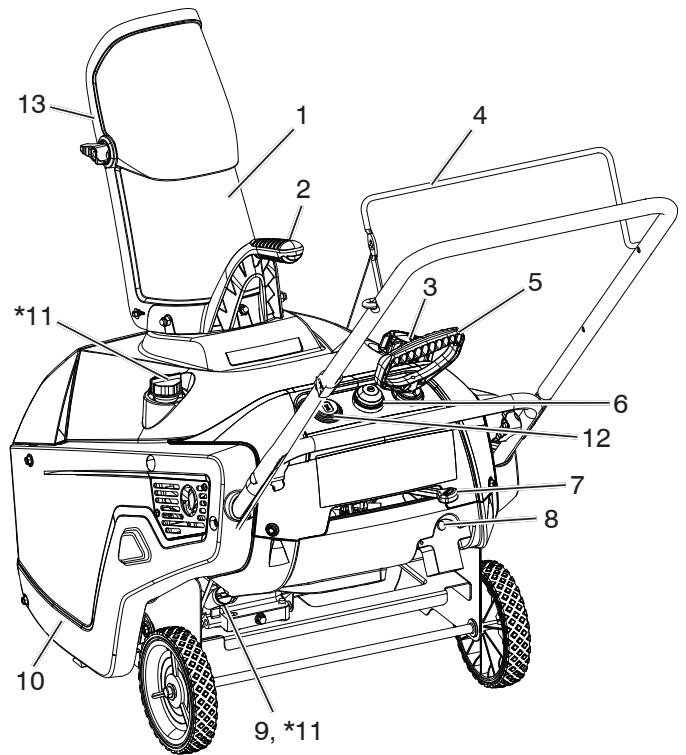



Figure 6

- | | |
|---------------------------|--|
| 1. Discharge chute | 8. Electric-start button (if equipped) |
| 2. Chute deflector handle | 9. Oil drain plug |
| 3. Fuel tank cap | 10. Drive belt cover |
| 4. Control bar | *11. Oil fill cap/dipstick |
| 5. Recoil start handle | 12. Ignition key |
| 6. Primer | 13. Chute deflector |
| 7. Choke lever | |

* Dipstick location may vary depending on engine type.

Operation

NOTE: Determine the left and right sides of the machine from the normal operating position.



- **Gasoline is extremely flammable and explosive. A fire or explosion from gasoline can burn you and others.**
- **To prevent a static charge from igniting the gasoline, place the container and/or snowthrower on the ground before filling, not in a vehicle or on an object.**
- **Fill the tank outdoors when the engine is cold. Wipe up spills.**
- **Do not handle gasoline when smoking or around an open flame or sparks.**
- **Store gasoline in an approved fuel container, out of the reach of children.**
- **Do not tip the snowthrower with fuel in the fuel tank.**



The operation of any snow thrower can result in foreign objects thrown into the eyes, which can result in severe eye damage. Always wear safety glasses or eye shields while operating your snow thrower or performing any adjustments or repairs. We recommend standard safety glasses or a wide vision safety mask worn over spectacles.

IMPORTANT: Know how to operate all controls before adding fuel or attempting to start the engine.

Filling the Fuel Tank

Fill the fuel tank with fresh, unleaded gasoline (minimum 87 AKI octane rating) (Figure 7).

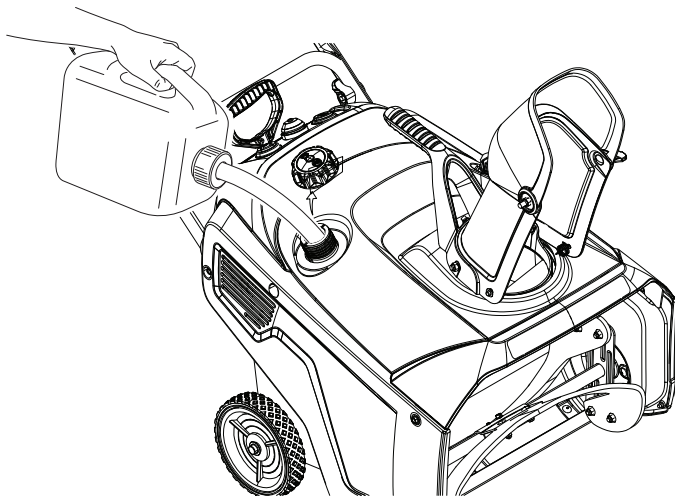


Figure 7

IMPORTANT: Do not add oil to the gasoline.

IMPORTANT: Do not use E85 blended fuels. This engine is not E20/E30/E85 compatible. Alternative fuels with high alcohol content can cause hard starting, poor engine performance, and may cause internal engine damage.

NOTE: For best results, purchase only the quantity of gasoline that you expect to use in 30 days. Otherwise, you may add fuel stabilizer to newly purchased gasoline to keep it fresh for up to 6 months.

Checking the Engine Oil Level

1. Move the snowthrower to a level surface.
2. Clean around the dipstick (Figure 8).

NOTE: Dipstick location may vary depending on engine type.

3. Remove either side mounted filler cap dipstick or high oil fill dipstick and wipe it clean.

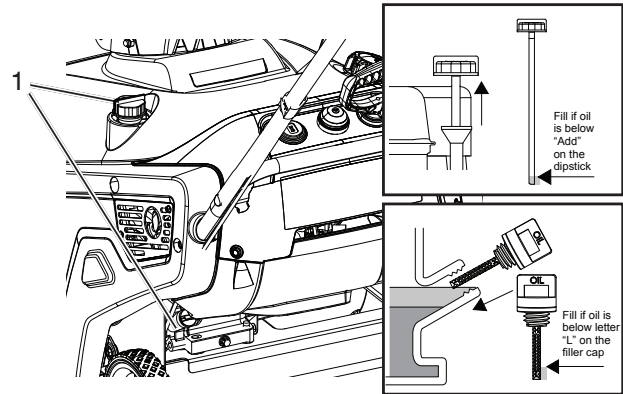


Figure 8

1. Oil filler cap/dipstick

4. Insert the dipstick into the filler neck and turn clockwise until fully seated. Then remove the dipstick by turning it counter-clockwise.
5. Fill oil to "FULL" on dipstick with the recommended oil.
6. Securely screw in the oil filler cap/dipstick.

NOTE: Running the engine with a low oil level can cause engine damage. Always check the engine oil before start up.

NOTE: Running the engine with too much oil may cause engine damage and excess smoke in the exhaust. Always check the engine oil level before start up.

Starting the Engine

1. Push key in (Figure 9).

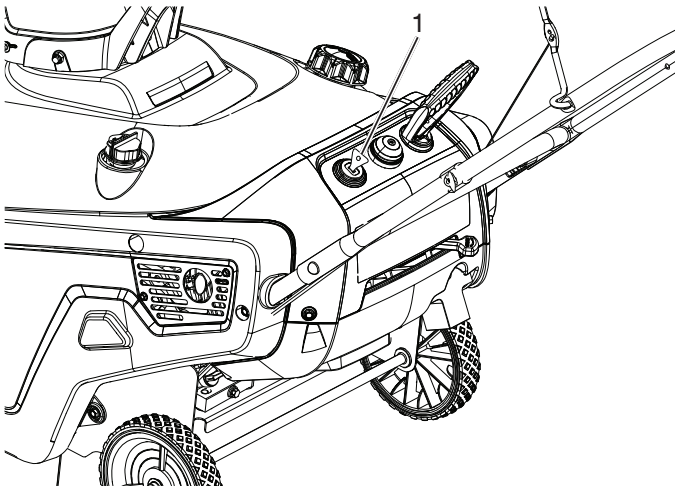


Figure 9

1. Key

2. Move choke lever to left position (Figure 10).

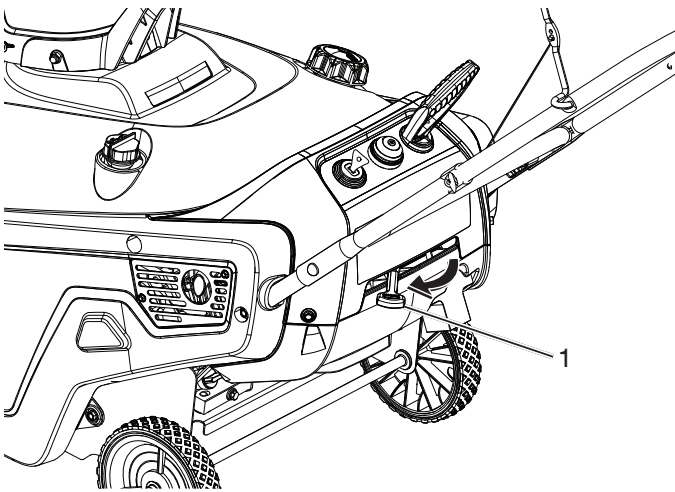


Figure 10

1. Choke lever

3. Firmly push in the primer 2 times with your thumb, holding the primer in a for a second before releasing it each time (Figure 11).

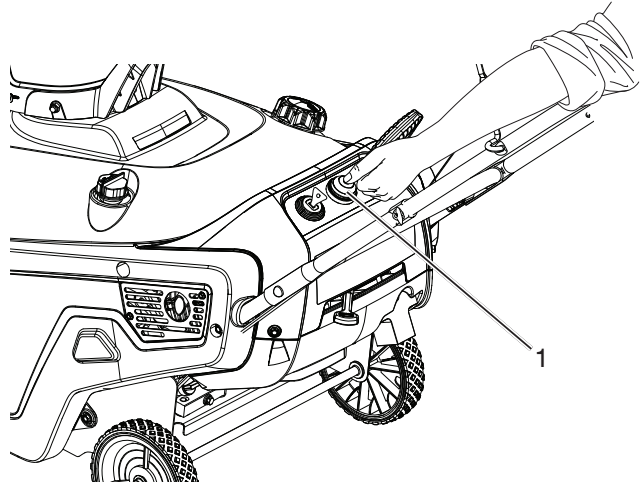


Figure 11

1. Primer

NOTE: Remove your glove when you push in the primer so that air cannot escape from the primer hole.

IMPORTANT: It may not be necessary to use the primer or the choke if the engine has been running and is hot. Excessive priming may flood the engine and prevent it from starting.

4. Pull the recoil starter or if your snow thrower is equipped with an electric starter, connect an extension cord to the snow thrower and plug the other end into a three-hole grounded 110 volt A.C. receptacle and push the electric-start button (Figure 12).

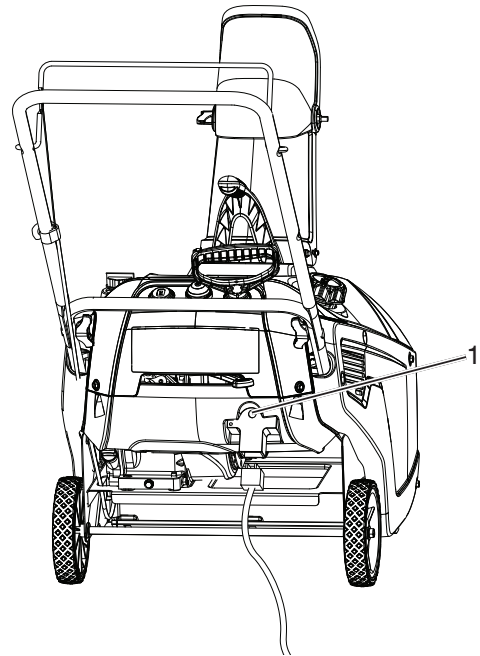


Figure 12

1. Electric start button

NOTE: Use an extension cord recommended for outdoor use that is not longer than 50 feet (15 m).



The electrical cord can become damaged, causing a shock or fire.

Thoroughly inspect the electrical cord before plugging it into a power source. If the cord is damaged, do not use it to start the snowthrower. Replace or repair the damaged cord immediately. Contact an Authorized Service Dealer for assistance.



Figure 13

1. Recoil start handle

IMPORTANT: Run the electric starter no more than 10 times at intervals of 5 seconds on, then 5 seconds off. Running the electric starter extensively can overheat and damage it. If the engine does not start after this series of attempts, wait at least 40 minutes to allow the starter to cool before attempting to start it again. If the engine does not start after the second series of attempts, take the snowthrower to an Authorized Service Dealer for service.

NOTE: If you pull the recoil handle and feel no resistance, the starter may be frozen. Thaw out the starter before attempting to start the snowthrower.

5. While the engine is running, move the choke lever slowly to the right position.
6. Unplug the extension cord from the power source and the snowthrower (Figure 12).



Unplug the power cord whenever you are not starting the snowthrower.

Engaging the Auger Blades

To engage the auger blades, hold the control bar against the handle (Figure 14).



Figure 14

1. Control bar

Disengaging the Auger Blades

To disengage the auger blades, release the control bar (Figure 15).

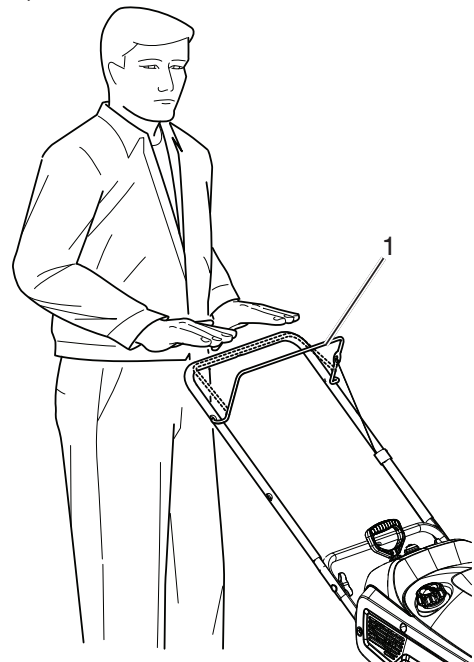


Figure 15

1. Control bar

IMPORTANT: During initial operation there may be wear between the auger blades and the scraper bar. Maximum performance, both snow throwing and driving, occurs when there is zero clearance between these two parts (Figure 16).



During initial break-in period of the auger blades it is normal for the auger blades to build up excessive heat if not operated in the snow.

Do not operate without snow or water for lubricating the auger blades. This will cause excessive heat build up in the auger blades which could cause damage to the auger blades and scraper bar.

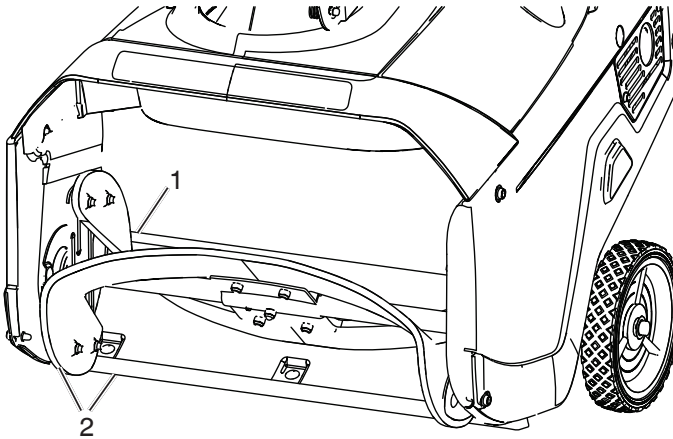


Figure 16

- 1. Rub Area
- 2. Wear Areas

Adjusting the Discharge Chute and Chute Deflector

To adjust the discharge chute, move deflector chute handle left or right to desired position (Figure 18).

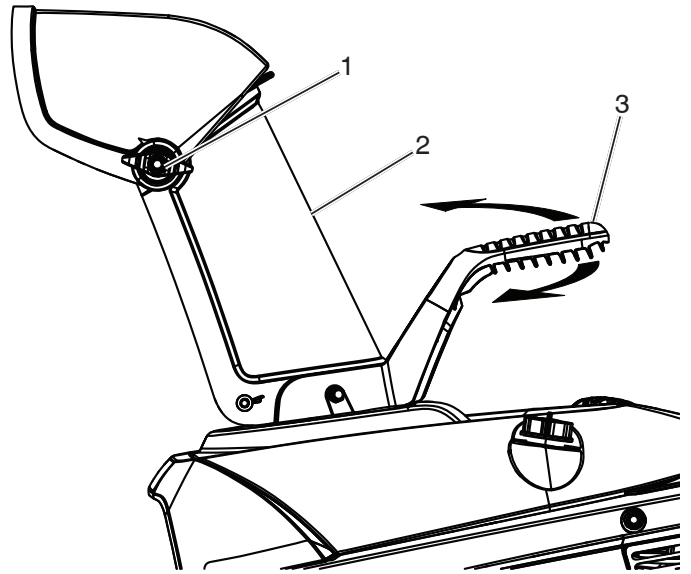


Figure 18

- 1. Chute deflector knob
- 2. Chute deflector
- 3. Chute handle

Stopping the Engine

To stop the engine, pull key out (Figure 17).

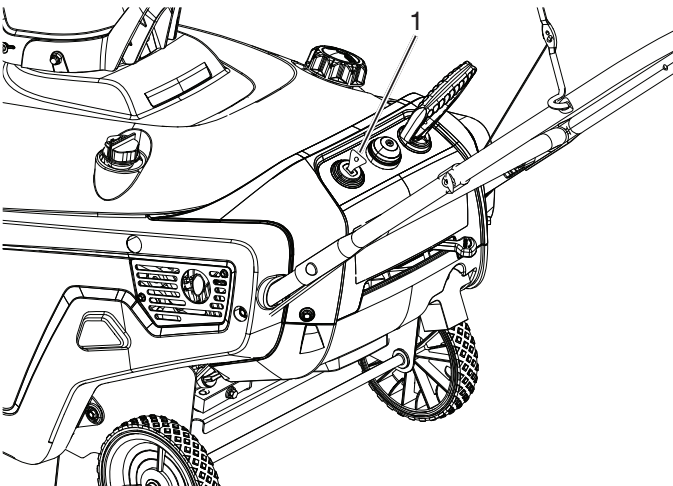


Figure 17

- 1. Key

To raise or lower the angle of the chute deflector, loosen the chute deflector knob on the chute deflector and move the chute deflector up or down (Figure 18).

Clearing a Clogged Discharge Chute



Hand contact with the rotating auger blades inside the discharge chute is the most common cause of injury associated with snow throwers. Never use your hand to clean out the discharge chute.

To clear the chute:

1. SHUT THE ENGINE OFF!
2. Wait 10 seconds to be sure the auger blades have stopped rotating.
3. Always use a clearing tool at least 15 inches long, not your hands (Figure 19).



Figure 19

Preventing Freeze-up after Use

- Let the engine run for a few minutes to prevent moving parts from freezing. Stop the engine, wait for all moving parts to stop, and remove ice and snow from the snowthrower.
- Clean off any snow and ice from the base of the chute.
- Rotate the discharge chute left and right to free it from any ice buildup.
- With the ignition key in the Off position, pull the recoil starter handle several times or connect the electrical cord to a power source and the snowthrower and push the electric start button once to prevent the recoil starter and/or the electric starter from freezing up.
- In snowy and cold conditions, some controls and moving parts may freeze. Do not use excessive force when trying to operate frozen controls. If you have difficulty operating any control or part, start the engine and let it run for a few minutes.

Operating Tips



The auger blades can throw stones, toys, and other foreign objects and cause serious personal injury to the operator or to bystanders.

- **Keep the area to be cleared free of all objects that the auger blades could pick up and throw.**
 - **Keep all children and pets away from the area of operation.**
 - **Do not operate snow thrower if weather conditions impair visibility. Throwing snow during a heavy, windy snowstorm can blind you and be hazardous to the safe operation of the snow thrower.**
- The best time to remove snow is the early morning. At this time the snow is usually dry and has not been exposed to the direct sun and warming temperatures.
 - Slightly overlap each successive path to ensure all snow will be removed.
 - Throw snow downwind whenever possible.
 - For extremely heavy snow, reduce the width of snow removal by overlapping previous path and moving slowly.
 - Keep engine clean and clear of snow during use. This will help air flow and extend engine life.
 - After snow-throwing is completed, allow engine to run for a few minutes to melt snow and ice off the engine.
 - Clean the entire snow thrower thoroughly after each use and wipe dry so it is ready for next use.
 - Spraying off unit with a hose is NOT recommended.

Maintenance

NOTE: Determine the left and right sides of the machine from the normal operating position.

MAINTENANCE SCHEDULE FILL IN DATES AS YOU COMPLETE REGULAR SERVICE		BEFORE EACH USE AFTER EACH USE EVERY 25 HOURS OR EVERY SEASON BEFORE STORAGE				SERVICE DATES							
		✓	✓	✓	✓								
T H R O W E R	Check for Loose Fasteners	✓			✓								
	Clean / Inspect Snow Thrower		✓		✓								
	Clean / Replace V-Belts			✓									
	Check / Replace Auger Blades and Scraper Bar	✓											
	Lubrication Chart			✓	✓								
E N G I N E	Check Engine Oil Level	✓											
	Change Engine Oil			✓									
	Inspect Muffler			✓									
	Check / Replace Spark Plug			✓									
	Empty Fuel Tank				✓								

Adjusting the Control Cable

Checking the Control Cable

Release the control bar to remove the slack in the control cable (Figure 20).

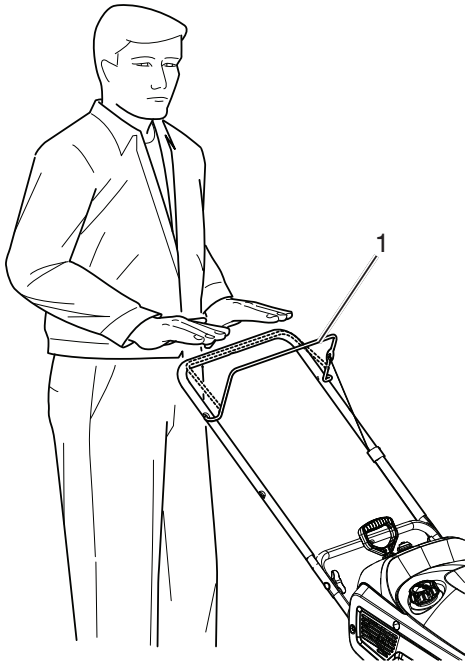


Figure 20

- 1. Control bar

IMPORTANT: The control cable must contain some slack when you disengage the control bar for the auger blades to stop properly.

NOTE: You may need to adjust the control cable from position 1 (default) to position 2 if you notice belt slip when the control bar is engaged.

NOTE: If the control cable is adjusted to position 2, ensure that the auger stops properly when the control bar is released

Adjusting the Control Cable

1. With the control bar disengaged, unhook and move the control cable to the highest position. (Figure 21).

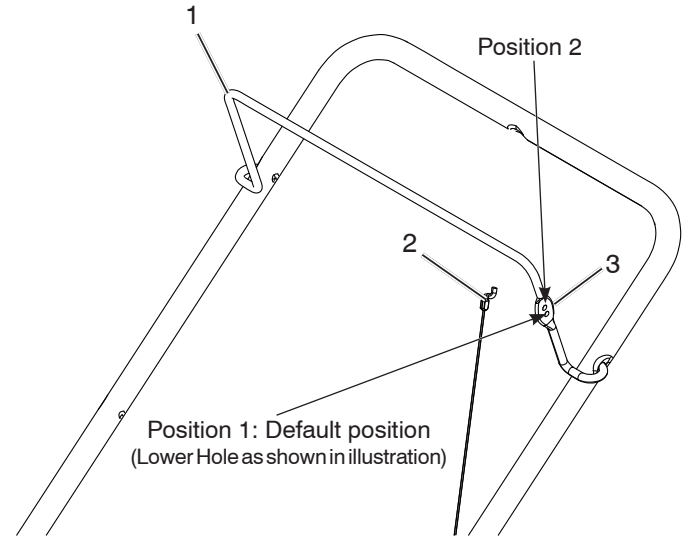


Figure 21

- 1. Control bar
- 2. Adjuster link
- 3. Cable positions

Inspecting the Auger Blades/Scraper Bar

Before each session, inspect the auger blades for wear. When an auger blade edge or the scraper bar has worn down have an Authorized Service Dealer replace the auger blades and the scraper bar (Figure 22).

NOTE: Auger blades and scraper bar are wear items and may have to be replaced after extended use.

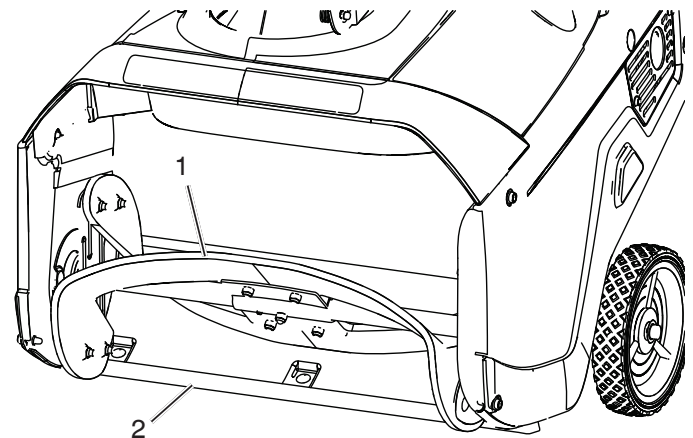


Figure 22

- 1. Auger blades
- 2. Scraper bar

Changing the Engine Oil

Run the engine a few minutes before changing the oil to warm it. Warm oil flows better and carries more contaminants.



The engine oil will be hot. Avoid skin contact with the used engine oil.

1. Move snowthrower to a level surface.
2. Run snowthrower until all fuel has been depleted.
3. Remove ignition key.

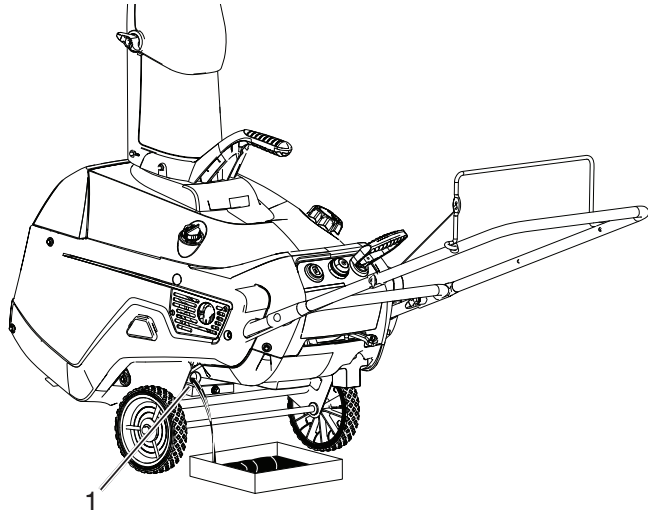


Figure 23

1. Oil drain plug

4. Place an oil drain pan under the oil drain plug, remove the oil drain plug, and tip the snowthrower backward and drain the used oil in the oil drain pan (Figure 23).
5. After draining the used oil, return the snowthrower to the operating position.
6. Screw in the oil fill cap/dipstick and hand tighten it securely (1).

NOTE: Dipstick location may vary depending on engine type.

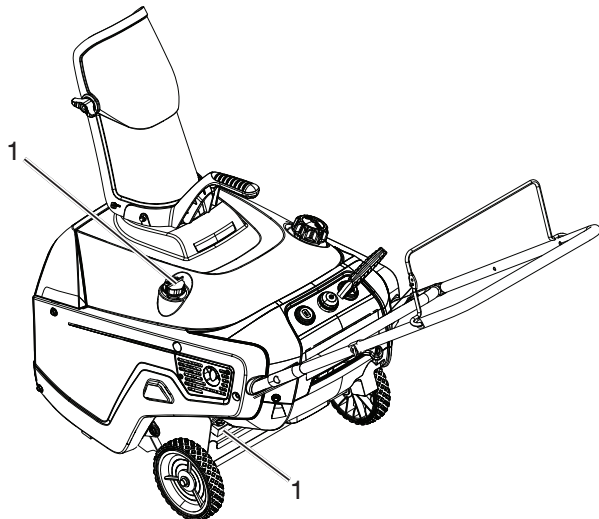


Figure 24

1. Oil fill cap/dipstick

7. Clean around the oil filler cap/dipstick (Figure 24).
8. Unscrew the oil fill cap/dipstick and remove it (Figure 25).
9. With the snowthrower in the operating position, carefully pour oil into the oil fill hole until "Full" on the fill cap/dipstick line (Figure 25).

Max fill: 18 oz. (0.5 l), type: automotive detergent oil with an API service classification of SJ, SL, or higher.

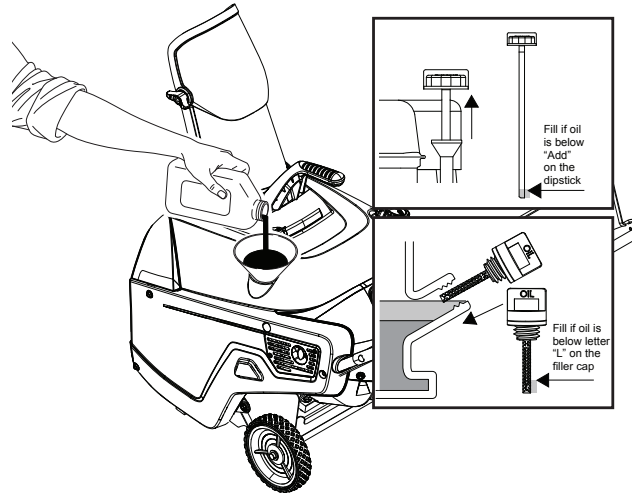


Figure 25

10. Screw in the oil fill cap/dipstick and hand tighten it securely.
11. Wipe up any spilled oil.
12. Dispose of the used oil properly at a local recycling center.

Servicing the Spark Plug

Use a NGK BPR6ES, Champion RN9YC, or BOSCH WR6DC spark plug or equivalent.

1. Stop the engine and wait for all moving parts to stop.
2. Rotate the discharge chute so that it faces forward.
3. Remove the discharge chute and the discharge chute handle by removing the three carriage bolts and three flange nuts (Figure 26).

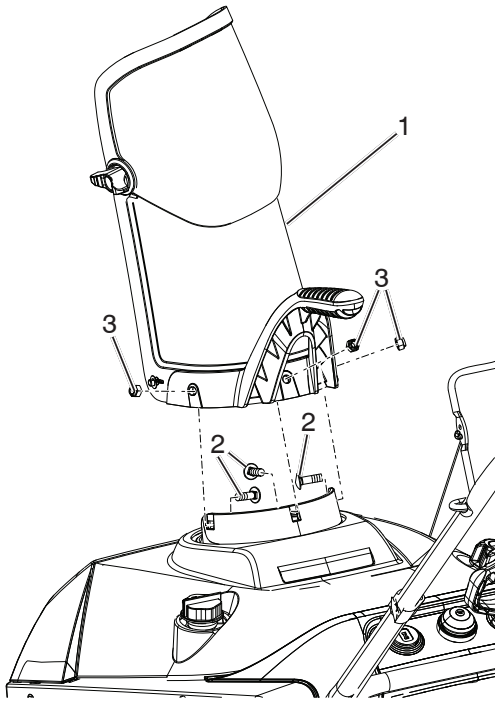


Figure 26

1. Discharge chute
2. Carriage bolts
3. Flange nuts

4. Remove the six screws that secure the shroud assembly (Figure 29).

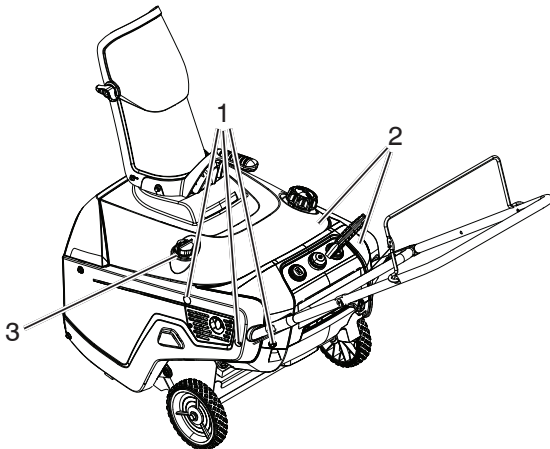


Figure 27

1. Screw
2. Shroud assembly
3. Oil fill cap

5. Remove the oil fill cap.
6. Remove the shroud assembly (Figure 27).
7. Install the oil fill cap.
8. Disconnect the spark plug wire from the spark plug (Figure 28).
9. Clean around the spark plug.
10. Remove the spark plug from the cylinder head.

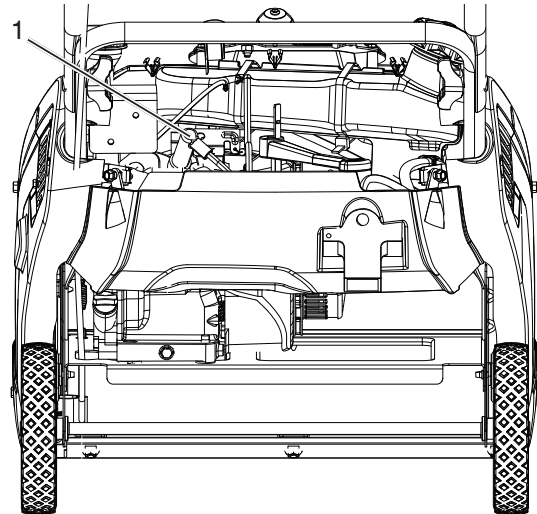


Figure 28

1. Spark plug wire

IMPORTANT: Replace a cracked, fouled, or dirty spark plug. Do not clean the electrodes because grit entering the cylinder can damage the engine.

11. Set the gap on the plug to 0.030 inch (0.76 mm) (Figure 29).

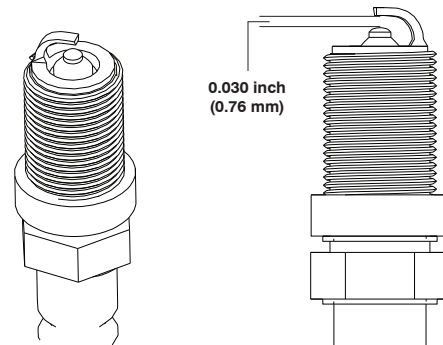


Figure 29

12. Install the spark plug and torque it to 20–22 ft-lb (27–30 N-m).
13. Connect the spark plug wire to the spark plug (Figure 28).
14. Remove the oil fill cap.
15. Install the shroud with the screws removed in step 4 (Figure 27).

NOTE: Ensure that the shroud assembly fits together in the side grooves.

16. Install the oil fill cap.
17. Install the discharge chute, and the discharge chute handle onto the snowthrower using the hardware removed in step 3 (Figure 26).

Replacing the Drive Belt

If drive belt becomes worn, oil-soaked, excessively cracked, frayed, or otherwise damaged, replace the belt.

1. Remove the drive side cover by removing the six screws as shown in (Figure 30).

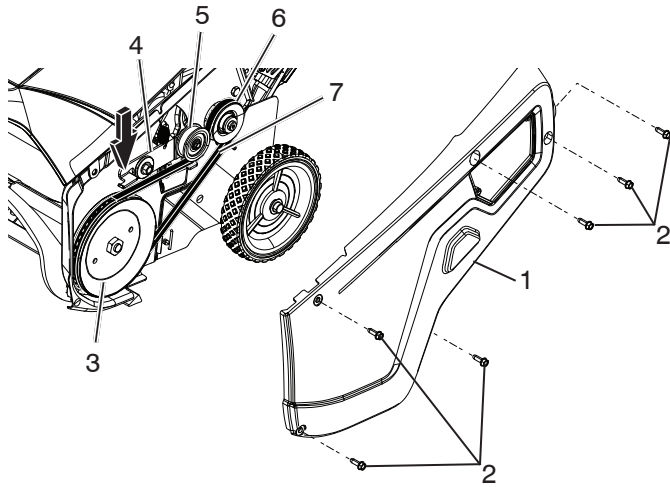


Figure 30

- | | |
|---------------------|------------------|
| 1. Drive side cover | 5. Idler pulley |
| 2. Screw | 6. Engine pulley |
| 3. Drive pulley | 7. Drive belt |
| 4. Idler arm | |

2. Press down on front of idler arm to release the belt tension (Figure 30).
3. Remove the drive belt from the drive pulley (Figure 30).

4. Install the new drive belt, routing it as shown in (Figure 31).

NOTE: Route the new drive belt first around the engine pulley, then the idler pulley, and finally around the drive pulley while pressing down on the front of the idler arm. (Figure 31).

5. Install the drive side cover with the screws removed in step 1.

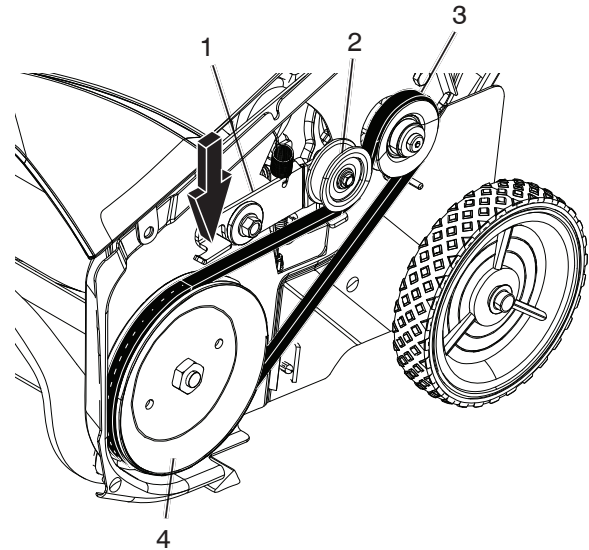


Figure 31

- | |
|------------------|
| 1. Idler arm |
| 2. Idler pulley |
| 3. Engine pulley |
| 4. Drive pulley |

NOTE: Ensure that the drive belt is properly adjusted and operating; refer to Checking the Control Cable and Adjusting the Control Cable in the Maintenance section of this manual.

Storage

Storing the Snowthrower

Immediately prepare your snow thrower for storage at the end of the season or if the unit will not be used for 30 days or more.



WARNING: Never store the snow thrower with gasoline in the tank inside a building where fumes may reach an open flame, spark or pilot light as on a furnace, water heater, clothes dryer or gas appliance. Allow the engine to cool before storing in any enclosure.

SNOW THROWER

When snow thrower is to be stored for a period of time, clean it thoroughly, remove all dirt, grease, leaves, etc. Store in a clean, dry area.

1. Clean entire snow thrower after each use.
2. Inspect and replace belts, if necessary (See “Replacing the Drive Belt” section of this manual).
3. Be sure that all nuts, bolts, screws, and pins are securely fastened. Inspect moving parts for damage, breakage and wear. Replace if necessary.

FUEL SYSTEM

IMPORTANT: It is important to prevent gum deposits from forming in essential fuel system parts such as carburetor, fuel hose, or tank during storage. Also, alcohol blended fuels can attract moisture which leads to separation and formation of acids during storage. Acidic gas can damage the fuel system of an engine while in storage.

- Empty the fuel tank by starting the engine and letting it run until the fuel lines and carburetor are empty.
- Never use engine or carburetor cleaner products in the fuel tank or permanent damage may occur.
- Use fresh fuel next season.

NOTE: Fuel stabilizer is an acceptable alternative in minimizing the formation of fuel gum deposits during storage. Add stabilizer to gasoline in fuel tank or storage container. Always follow the mix ratio found on stabilizer container. Run engine at least 10 minutes after adding stabilizer to allow the stabilizer to reach the carburetor. Do not empty the gas tank and carburetor if using fuel stabilizer.

ENGINE OIL

Drain oil (with engine warm) and replace with clean engine oil. (See “Changing the Engine Oil” section of this manual).

CYLINDER

1. Remove spark plug.
2. Pour one ounce (29 ml) of oil through spark plug hole into cylinder.
3. Pull recoil starter handle slowly a few times to distribute oil.

OTHER

- Remove safety ignition key; store it in a safe place.
- Do not store gasoline from one season to another.
- Replace your gasoline can if your can starts to rust. Rust and/or dirt in your gasoline will cause problems.
- If possible, store your snow thrower indoors and cover it to protect it from dust and dirt.
- Cover your snow thrower with a suitable protective cover that does not retain moisture. Do not use plastic. Plastic cannot breathe, which allows condensation to form and will cause your snow thrower to rust.

IMPORTANT: Never cover snow thrower while engine/exhaust area is still warm.

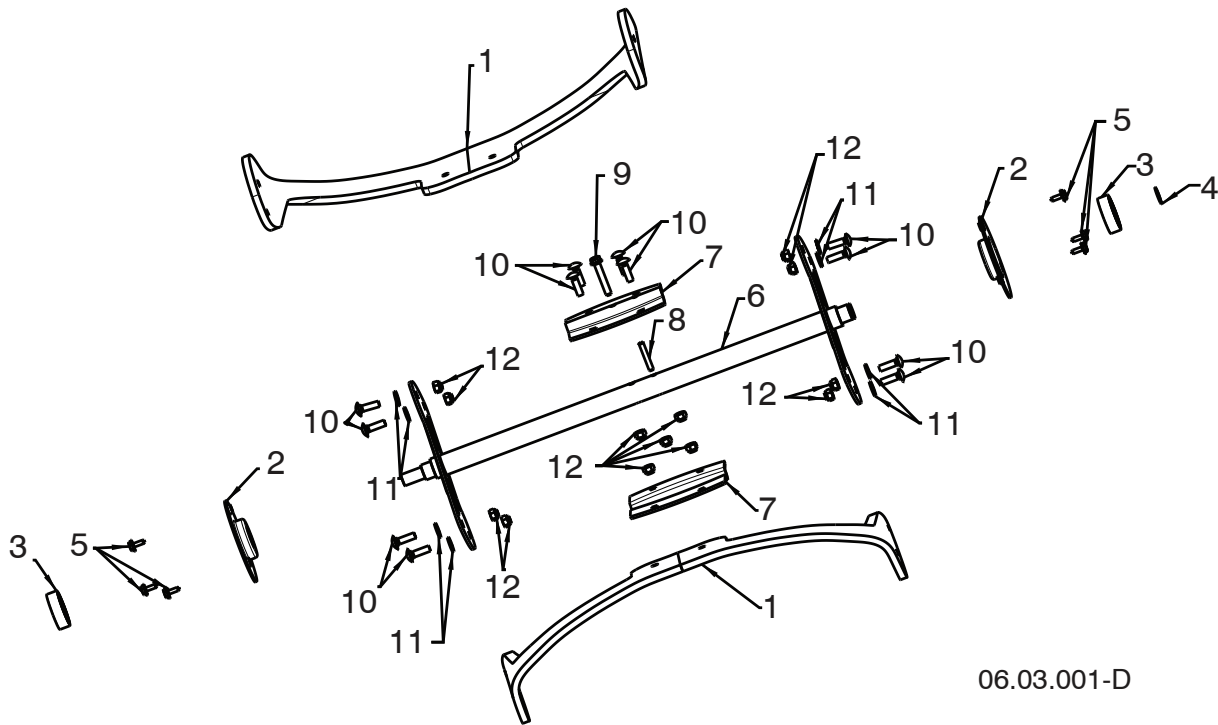
Troubleshooting

See appropriate section in manual unless directed to an authorized service center/department.

PROBLEM	CAUSE	CORRECTION
Does not start	<ol style="list-style-type: none"> 1. Safety ignition key is not inserted. 2. Out of fuel. 3. ON/OFF switch is OFF. 4. Choke in OFF position. 5. Primer not depressed. 6. Engine is flooded. 7. Spark plug wire is disconnected. 8. Bad spark plug. 9. Stale fuel. 10. Water in fuel. 11. Vapor locked fuel line. 	<ol style="list-style-type: none"> 1. Insert safety ignition key. 2. Fill fuel tank with fresh, clean gasoline. 3. Move ON/OFF switch to ON position. 4. Move to FULL position. 5. Prime as instructed in the Operation section of this manual. 6. Wait a few minutes before restarting, DO NOT prime. 7. Connect wire to spark plug. 8. Replace spark plug. 9. Empty fuel tank & carburetor, refill with fresh, clean gasoline. 10. Empty fuel tank & carburetor, refill with fresh, clean gasoline. 11. Ensure all the fuel line is below the outlet of the fuel tank. Fuel line should run continuously down from fuel tank to carburetor.
Loss of power	<ol style="list-style-type: none"> 1. Spark plug wire loose. 2. Throwing too much snow. 3. Fuel tank cap is covered with ice or snow. 4. Dirty or clogged muffler. 5. Improper cable length. 6. Blocked muffler. 7. Blocked carburetor air intake. 	<ol style="list-style-type: none"> 1. Reconnect spark plug wire. 2. Reduce speed and width of swath. 3. Remove ice and snow on and around fuel tank cap. 4. Clean or replace muffler. 5. Adjust cable. 6. Clear blockage (ensure engine is cool). 7. Clear blockage (ensure engine is cool).
Engine idles or runs roughly	<ol style="list-style-type: none"> 1. Choke is in FULL position. 2. Blockage in fuel line. 3. Stale fuel. 4. Water in fuel. 5. Carburetor is in need of replacing 6. Belt stretch. 	<ol style="list-style-type: none"> 1. Move choke to OFF position. 2. Clean fuel line. 3. Empty fuel tank & carburetor, refill with fresh, clean gasoline. 4. Empty fuel tank & carburetor, refill with fresh, clean gasoline. 5. Contact an authorized service center/department.
Excessive vibration / Handle movement	<ol style="list-style-type: none"> 1. Loose parts or damaged augers or impeller. 2. Handles not positioned correctly. 3. Adjustment lever nuts are loose. 	<ol style="list-style-type: none"> 1. Tighten all fasteners. Replace damaged parts. If vibration remains, contact an authorized service center/department. 2. Ensure handles are locked into positioning. 3. Tighten nuts until handle feels secure.
Recoil starter is hard to pull	<ol style="list-style-type: none"> 1. Frozen recoil starter. 2. Rope is interfering with components. 	<ol style="list-style-type: none"> 1. See "IF RECOIL STARTER HAS FROZEN" in the Operation section of this manual. 2. Recoil rope should not be touching any wires or hoses.
Loss of snow discharge or slowing of snow discharge	<ol style="list-style-type: none"> 1. Worn belt. 2. Auger v-belt is off of pulley. 3. Auger v-belt is worn. 4. Clogged discharge chute. 5. Augers / impeller jammed. 	<ol style="list-style-type: none"> 1. Adjust drive cable per maintenance procedures. 2. Check / reinstall auger v-belt. 3. Check / replace auger v-belt. 4. Clean snow chute. 5. Remove debris or foreign object from augers / impeller.
Lights not On (If Equipped)	<ol style="list-style-type: none"> 1. Motor not running. 2. Loose wire connection. 3. LED burnt out. 	<ol style="list-style-type: none"> 1. Start engine. 2. Check wire connections at engine and both lights. 3. Replace LED light module. (Individual LEDs are not replaceable)
Rotator hard to move	<ol style="list-style-type: none"> 1. Debris in chute rotator mechanism. 2. Cable are kinked or damaged. 	<ol style="list-style-type: none"> 1. Clean internal parts of chute rotator mechanism. 2. Ensure cables are not kinked. Replace damaged cables.

SERVICE NOTES

**REPAIR PARTS SNOW THROWER - - MODEL NUMBER PR100 (96182001500)
AUGER ASSEMBLY**



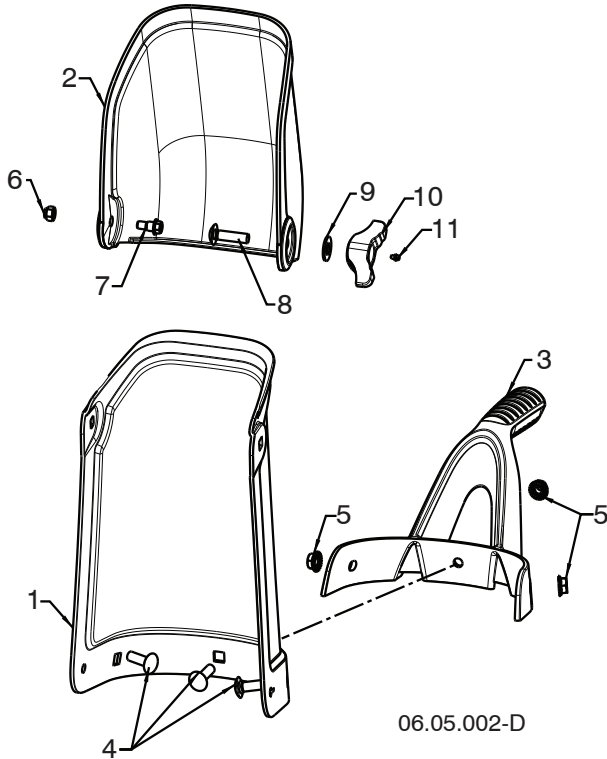
06.03.001-D

KEY NO.	PART NO.	DESCRIPTION
1	532 44 27-59	BLADE
2	580 85 55-01	BEARING SUPPORT
3	532 43 76-22	BALL BEARING
4	812 00 00-28	RETAINING RING
5	817 06 04-08	1/4-20 X 3/8 HEX SCREW
6	532 43 76-17	AUGER WELDMENT
7	580 85 54-01	CENTER BLADE PLATE
8	532 43 76-20	ROLL PIN
9	532 19 96-87	SCREW HEX WS HD 1/4-20 X 1.5
10	872 11 04-07	BOLT CARRIAGE 1/4-20 X 7/8
11	819 09 10-16	WASHER FLAT 1/4 SAE
12	532 13 20-04	NUT HEX 1/4-20 BZO

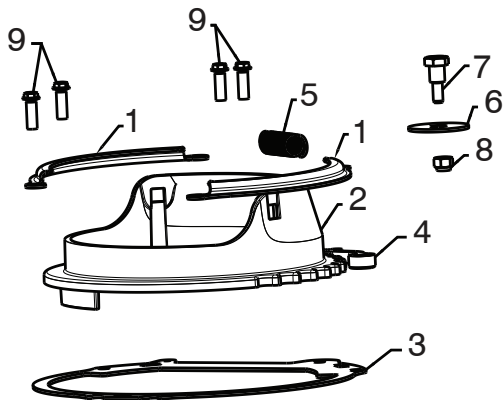
NOTE: All component dimensions given in U.S. inches. 1 inch = 25.4 mm
IMPORTANT: Use only Original Equipment Manufacturer (O.E.M.) replacement parts.
 Failure to do so could be hazardous, damage your snow thrower and void your warranty.

REPAIR PARTS SNOW THROWER - - MODEL NUMBER PR100 (96182001500)

CHUTE ASSEMBLY



KEY NO.	PART NO.	DESCRIPTION
1	532 43 76-55	CHUTE (BLACK)
2	532 43 76-43	DEFLECTOR (BLACK)
3	532 43 76-42	HANDLE (BLACK)
4	532 43 73-18	CARRIAGE BOLT 5/16-18 UNC X 1
5	873 97 05-00	NUT LOCK HEX W/INS 5/16-18 UNC PL
6	532 13 20-04	NUT HEX 1/4 – 20 NYLON LOCKING
7	532 44 46-82	SHOULDER BOLT ¼-20 HEX HEAD
8	872 11 05-10	CARRIAGE BOLT 5/16-18 X 1-1/4
9	819 13 13-16	WASHER 13/32 X 13/16 X 16 GA
10	532 19 19-38	WING KNOB
11	532 07 16-73	CAP PLUNGER

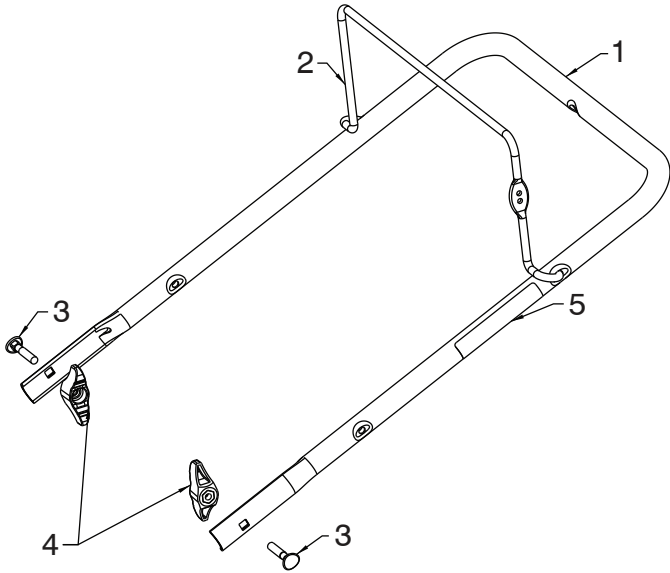


KEY NO.	PART NO.	DESCRIPTION
1	532 43 48-77	CHUTE RETAINER
2	580 85 65-01	CHUTE BASE
3	580 85 56-01	CHUTE BASE PLATE
4	532 43 48-78	RATCHET PAWL
5	532 43 48-79	SPRING
6	819 13 24-16	WASHER 13/32 X 1.25
7	532 08 13-28	BOLT 1/4-20 X .94
8	532 13 20-04	NUT 1/4-20 HEX
9	817 41 13-12	BOLT 13-16 X .75

06.04.009-C

NOTE: All component dimensions given in U.S. inches. 1 inch = 25.4 mm
IMPORTANT: Use only Original Equipment Manufacturer (O.E.M.) replacement parts.
 Failure to do so could be hazardous, damage your snow thrower and void your warranty.

REPAIR PARTS SNOW THROWER - - MODEL NUMBER PR100 (96182001500) HANDLE ASSEMBLY



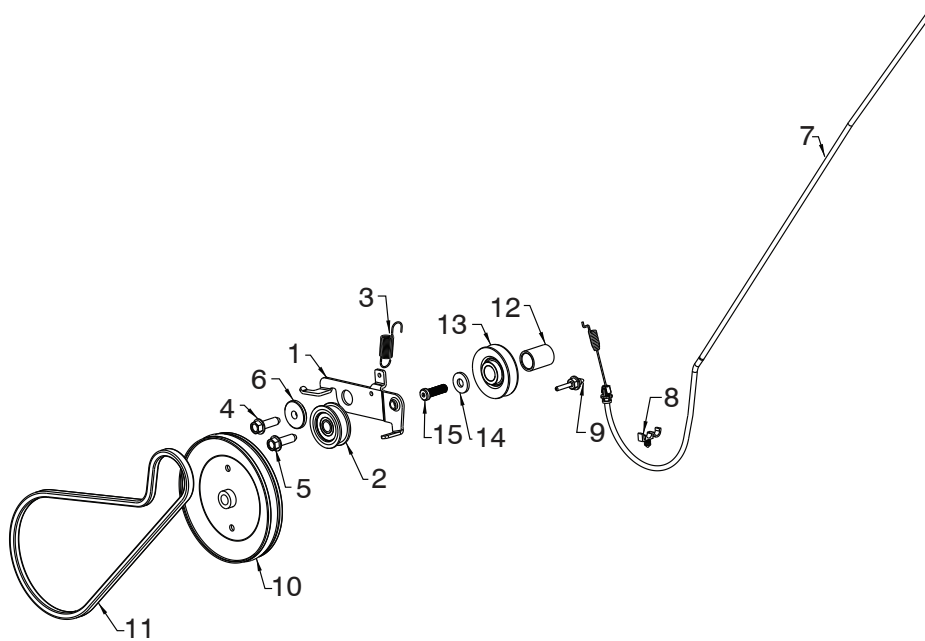
06.07.001-A

KEY NO.	PART NO.	DESCRIPTION
1	580 85 70-01	UPPER HANDLE
2	580 86 04-01	BAIL
3	532 19 15-74	HANDLE BOLT
4	532 19 19-38	WING KNOB
5	532 43 75-06	AUGER CONTROL DECAL

NOTE: All component dimensions given in U.S. inches. 1 inch = 25.4 mm
IMPORTANT: Use only Original Equipment Manufacturer (O.E.M.) replacement parts.
Failure to do so could be hazardous, damage your snow thrower and void your warranty.

REPAIR PARTS SNOW THROWER - - MODEL NUMBER PR100 (96182001500)

DRIVE ASSEMBLY

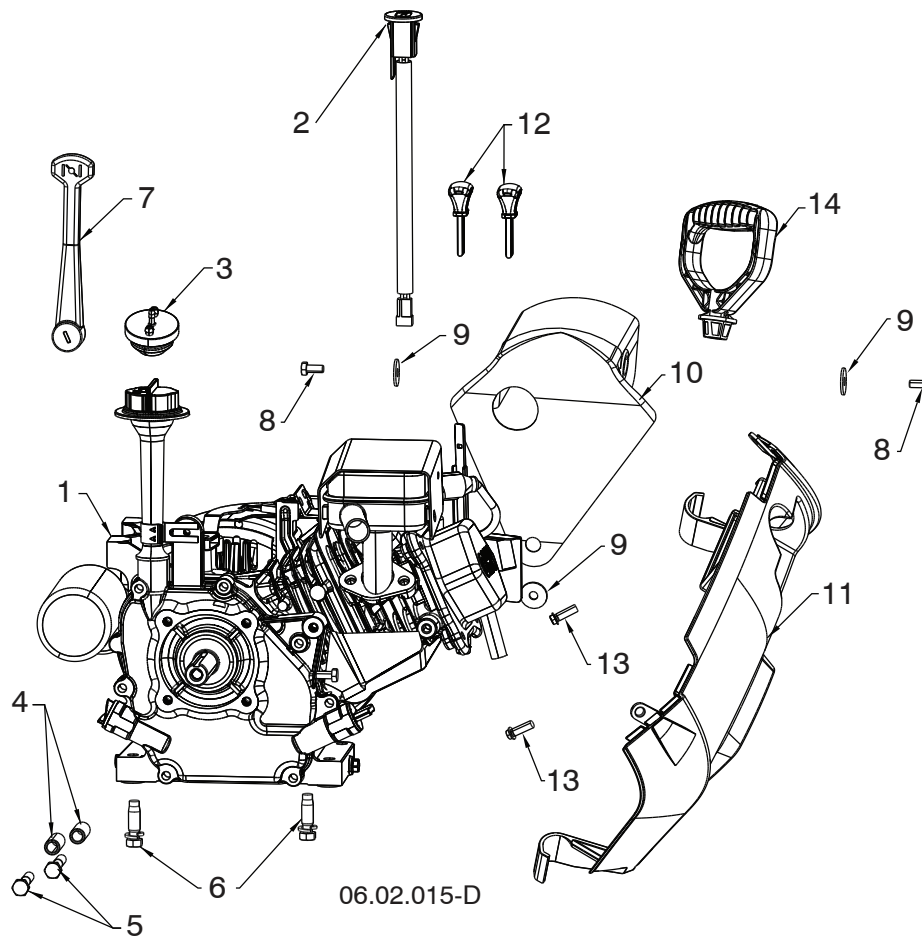


06.01.001-A

KEY NO.	PART NO.	DESCRIPTION
1	580 85 53-01	IDLER ARM
2	532 16 60-43	IDLER PULLEY
3	532 43 48-59	RETURN SPRING
4	817 06 06-20	SCREW 3/8-16 X 1-1/4 (TORQUE 13-18 FT-LBS)
5	817 06 06-20	SCREW 3/8-16 X 1-1/4 (TORQUE 22-27 FT-LBS)
6	532 19 90-92	SPACER
7	532 44 30-18	CLUTCH CABLE ASM
8	532 14 50-06	PUSH CLIP
9	532 43 45-02	BELT KEEPER
10	532 43 53-83	DRIVE PULLEY
11	532 43 72-61	BELT
12	532 43 48-60	ENGINE CRANK SPACER
13	532 42 64-90	ENGINE PULLEY
14	532 85 10-74	WASHER
15	532 43 08-17	SCREW 3/8-24 X 1/25

NOTE: All component dimensions given in U.S. inches. 1 inch = 25.4 mm
IMPORTANT: Use only Original Equipment Manufacturer (O.E.M.) replacement parts. Failure to do so could be hazardous, damage your snow thrower and void your warranty.

REPAIR PARTS SNOW THROWER - - MODEL NUMBER PR100 (96182001500) ENGINE ASSEMBLY

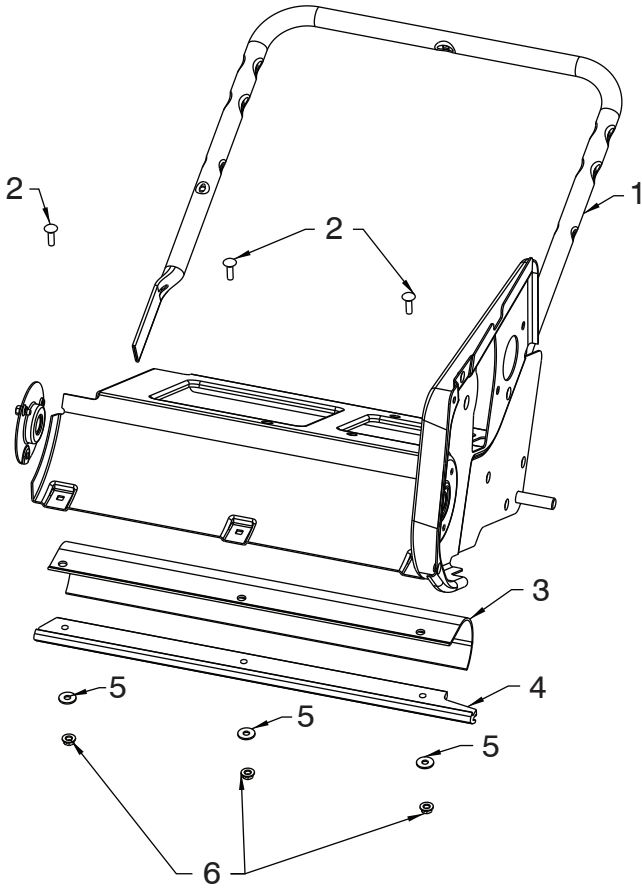


KEY NO.	PART NO.	DESCRIPTION
1	580 81 07-01	ENGINE 136 LCT SSST PW3HK1840018P
2	580 85 02-01	KEY SWITCH SSST
3	532 43 62-35	PRIMER BULB
4	532 43 48-57	ENGINE SPACER
5	532 43 55-78	SCREW 5/16-24 X 2.00 HHCS
6	532 15 04-06	BOLT ENGINE 3/8-16 DOGPOINT
7	532 43 48-74	CHOKE LEVER
8	581 56 26-01	BOLT M6 X 1 X 14M HEX HEAD
9	819 09 14-16	WASHER 9/32 X 7/8 X 16GA
10	532 43 76-19	MUFFLER COVER 136CC LCT
11	532 43 76-58	REAR LOWER COVER
12	532 44 30-59	KEY SET (QTY: 2)
13	817 41 13-12	SCREW HX FLHD #13 X .75
14	532 43 62-76	RECOIL HANDLE

NOTE: All component dimensions given in U.S. inches. 1 inch = 25.4 mm
IMPORTANT: Use only Original Equipment Manufacturer (O.E.M.) replacement parts.
 Failure to do so could be hazardous, damage your snow thrower and void your warranty.

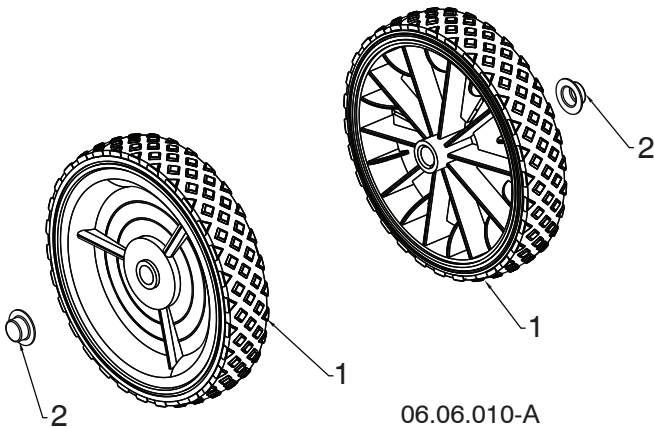
REPAIR PARTS SNOW THROWER - - MODEL NUMBER PR100 (96182001500)

FRAME ASSEMBLY



06.00.001-B

KEY NO.	PART NO.	DESCRIPTION
1	532 44 43-87	FRAME WELDMENT
2	872 11 04-07	BOLT, CARRIAGE 1/4-20 X 7/8
3	532 44 21-46	SCRAPER; SKIRT
4	580 50 26-01	BAR; SCRAPER UHMW
5	819 09 12-16	WASHER 9/32 X 3/4 X 16 GA
6	532 19 17-30	NUT, HEX FLANGE 1/4-20 CTR LOCK



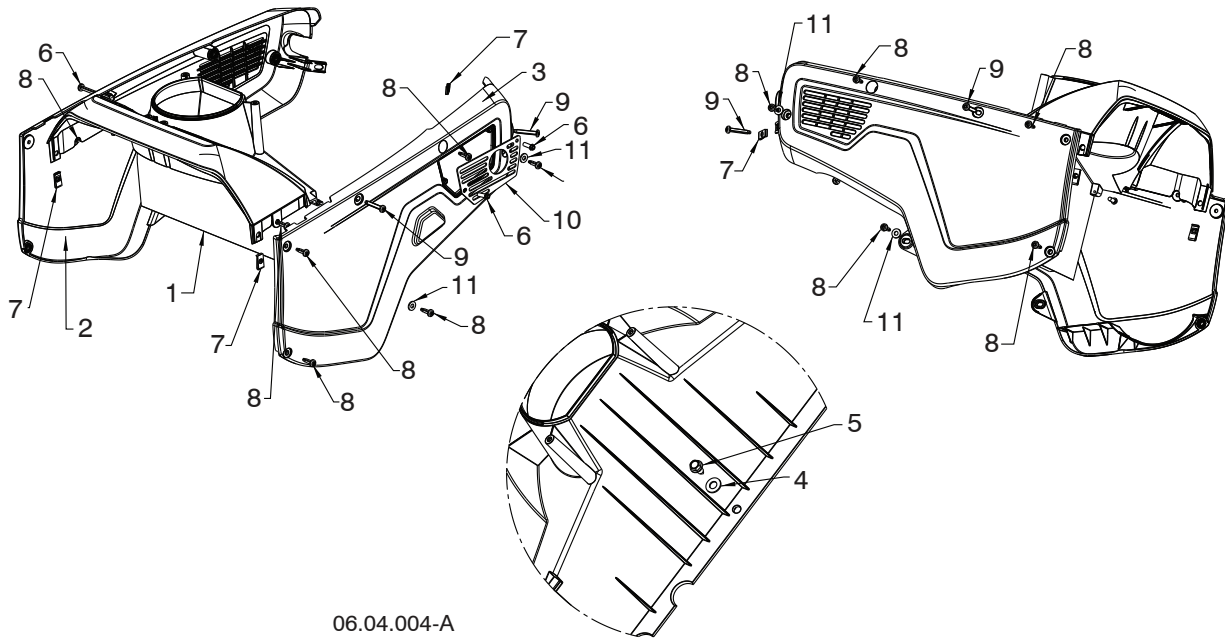
06.06.010-A

KEY NO.	PART NO.	DESCRIPTION
1	581 02 36-05	WHEEL 7 X 1.5 DMD
2	532 43 54-17	PUSH NUT

NOTE: All component dimensions given in U.S. inches. 1 inch = 25.4 mm
IMPORTANT: Use only Original Equipment Manufacturer (O.E.M.) replacement parts. Failure to do so could be hazardous, damage your snow thrower and void your warranty.

REPAIR PARTS SNOW THROWER - - MODEL NUMBER PR100 (96182001500)

SHROUD ASSEMBLY

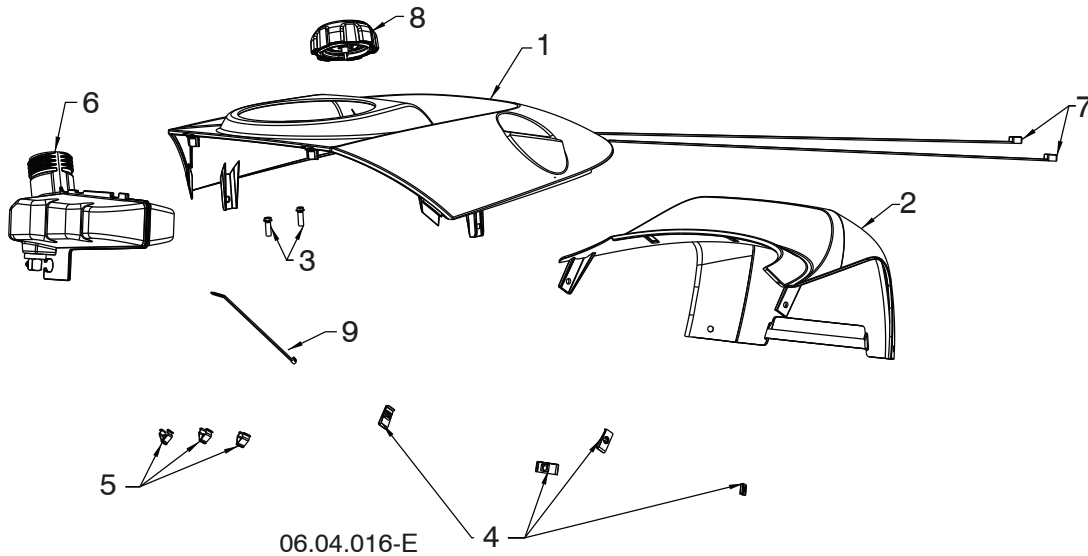


06.04.004-A

KEY NO.	PART NO.	DESCRIPTION
1	532 44 39-21	PLENUM
2	532 44 39-24	NON – DRIVE COVER
3	532 44 39-25	DRIVE COVER SIDE
4	819 13 13-16	WASHER 13/32 X 13/16 GA
5	532 42 88-67	BOLT 5/16-18 X .75
6	817 41 13-12	BOLT 13-16 X .75
7	532 19 66-88	THREADED CLIP
8	532 44 22-50	SCREW 1/4-20 X .75
9	532 44 42-62	SCREW 1/4-20 X 1.5
10	580 83 35-01	EXHAUST PLATE
11	819 09 10-16	WASHER FLAT 1/4 SAE

NOTE: All component dimensions given in U.S. inches. 1 inch = 25.4 mm
IMPORTANT: Use only Original Equipment Manufacturer (O.E.M.) replacement parts. Failure to do so could be hazardous, damage your snow thrower and void your warranty.

REPAIR PARTS SNOW THROWER - - MODEL NUMBER PR100 (96182001500) SHROUD ASSEMBLY

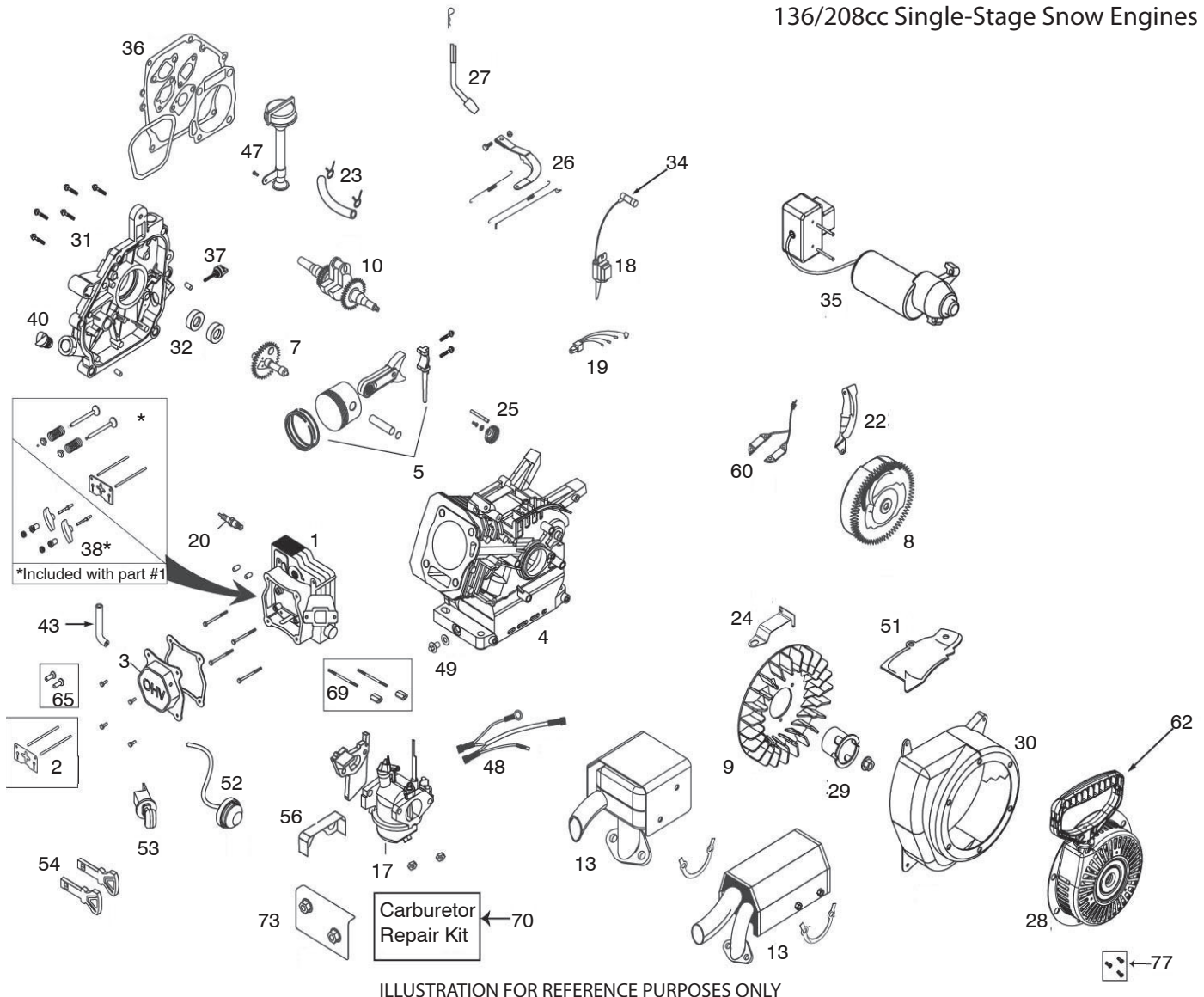


KEY NO.	PART NO.	DESCRIPTION
1	532 44 39-46	TOP COVER
2	532 43 76-48	REAR UPPER COVER
3	817 41 13-12	BOLT 13-16 X .75
4	532 19 66-88	THREADED CLIP
5	532 43 48-68	TRIM CLIP
6	580 98 26-01	FUEL TANK ASSEMBLY
7	532 14 68-48	CABLE TIE
8	581 07 55-01	FUEL CAP/GASKET
9	532 44 46-49	CABLE TIE

NOTE: All component dimensions given in U.S. inches. 1 inch = 25.4 mm
IMPORTANT: Use only Original Equipment Manufacturer (O.E.M.) replacement parts.
 Failure to do so could be hazardous, damage your snow thrower and void your warranty.

REPAIR PARTS SNOW THROWER - - MODEL NUMBER PR100 (96182001500)
ENGINE, LCT COMPLETE ENGINE-580810701

136/208cc Single-Stage Snow Engines



NOTE: All component dimensions given in U.S. inches. 1 inch = 25.4 mm
IMPORTANT: Use only Original Equipment Manufacturer (O.E.M.) replacement parts. Failure to do so could be hazardous, damage your snow thrower and void your warranty.

REPAIR PARTS SNOW THROWER - - MODEL NUMBER PR100 (96182001500)
ENGINE, LCT COMPLETE ENGINE-580810701

KEY NO.	PART NO.	DESCRIPTION
1	532 43 80-06	Cylinder Head Assy (136cc)
2	532 43 80-11	Push Rod Kit (136cc)(incl. valve cover gskt)
3	580 94 15-01	Valve Cover (136cc)
4	532 43 80-12	Cylinder Assembly (136cc)
5	532 43 80-07	Piston & Rod Assy (136cc)
7	532 43 80-05	Camshaft (136cc)
8	532 43 79-99	Manual Start Flywheel (136cc)
9	532 43 80-01	Flywheel Fan (136cc)
10	532 43 80-09	Crankshaft (#18)
13	532 43 79-89	Muffler Assembly(136 Single Stage) Snow
17	532 43 79-90	Carburetor Assy(136 Single Stage) Snow
18	580 94 13-01	Ignition Coil (1-pc ignition with 2-wire Plug Connector)
20	532 42 49-39	Spark Plug
22	532 43 79-96	Flywheel Shield-Manual Start (136cc)
23	532 43 80-14	Fuel Hose Kit (Single Stage)
24	532 42 92-59	Speed Control Bracket-Snow
25	532 42 96-46	Governor Gear Assembly
26	532 43 80-03	Governor Arm Assy (136cc)
27	532 43 80-04	Governor Shaft (136cc)
28	532 43 69-67	Recoil Starter Assy(Round-Black)Snow
29	532 43 79-91	Starter Cup (136cc)
30	532 43 79-93	Blower Housing-Manual (136 Single Stage) Snow
31	580 94 12-01	Crankcase Cover Assy (with threaded oil-fill tube)
31	581 36 35-01	Crankcase Cover (with press-in oil-fill tube) (Serial numbers >1240H0519257)
32	532 43 80-08	Oil Seal Kit (136cc)
34	532 43 69-66	Spark Plug Boot-Snow
36	532 43 80-13	Gasket Kit (136cc)
37	532 42 09-61	Small Black Dipstick
38	532 43 80-10	Rocker Arm Kit (136cc)
40	532 42 95-98	Non-Removable Plug
43	580 35 34-01	Breather Tube (136/208cc)
47	532 44 40-91	Oil Fill Tube (Threaded type)
47	581 00 72-01	High Oil-Fill Tube (Press-In Type) (Serial number >1240H0519257)
48	580 94 14-01	Wire Harness (Ss W/2-Plug Connector)
49	532 43 54-95	Oil Drain Plug Kit
51	580 94 11-01	Cylinder Shield (136 Single Stage) Snow
52	532 43 71-23	Fuel Primer Bulb W/Hose Kit(Single Stage)Snow
53	532 42 49-54	Key Switch Assembly-Snow
54	532 44 30-59	Key Set (Red) Snow
56	532 42 92-60	Vapor Shield-Snow
62	532 42 49-68	Starter Grip-Snow
69	532 42 49-51	Carburetor Studs & Coupling Kit-Snow
70	580 35 36-01	Carburetor Repair Kit (136/208/254cc)
73	532 44 42-75	Intake Shield (208cc Ss Snow)
77	532 43 26-88	Recoil Bolt Kit

NOTE: All component dimensions given in U.S. inches. 1 inch = 25.4 mm
IMPORTANT: Use only Original Equipment Manufacturer (O.E.M.) replacement parts.
 Failure to do so could be hazardous, damage your snow thrower and void your warranty.

LIMITED WARRANTY

The Manufacturer warrants to the original consumer purchaser that this product as manufactured is free from defects in materials and workmanship. For a period of two (2) years from date of purchase by the original consumer purchaser, we will repair or replace, at our option, without charge for parts or labor incurred in replacing parts, any part which we find to be defective due to materials or workmanship. This Warranty is subject to the following limitations and exclusions.

1. This warranty does not apply to the engine, transaxle/transmission components, battery (except as noted below) or components parts thereof. Please refer to the applicable manufacturer's warranty on these items.
2. Transportation charges for the movement of any power equipment unit or attachment are the responsibility of the purchaser. Transportation charges for any parts submitted for replacement under this warranty must be paid by the purchaser unless such return is requested by the manufacturer.
3. Battery Warranty: On products equipped with a Battery, we will replace, without charge to you, any battery which we find to be defective in manufacture, during the first ninety (90) days of ownership. After ninety (90) days, we will exchange the Battery, charging you 1/12 of the price of a new Battery for each full month from the date of the original sale. Battery must be maintained in accordance with the instructions furnished.
4. The Warranty period for any products used for rental or commercial purposes is limited to 90 days from the date of original purchase.
5. This Warranty applies only to products which have been properly assembled, adjusted, operated, and maintained in accordance with the instructions furnished. This Warranty does not apply to any product which has been subjected to alteration, misuse, abuse, improper assembly or installation, delivery damage, or to normal wear of the product.
6. Exclusions: Excluded from this Warranty are belts, blades, blade adapters, normal wear, normal adjustments, standard hardware and normal maintenance.
7. In the event you have a claim under this Warranty, you must return the product to an authorized service dealer.

Should you have any unanswered questions concerning this Warranty, please contact:

HOP
Outdoor Products Customer Service Dept.
9335 Harris Corners Parkway
Charlotte, NC 28269 USA

In Canada contact:
HOP
5855 Terry Fox Way
Mississauga, Ontario
L5V 3E4

giving the model number, serial number and date of purchase of your product and the name and address of the authorized dealer from whom it was purchased.

THIS WARRANTY DOES NOT APPLY TO INCIDENTAL OR CONSEQUENTIAL DAMAGES AND ANY IMPLIED WARRANTIES ARE LIMITED TO THE SAME TIME PERIODS STATED HEREIN FOR OUR EXPRESSED WARRANTIES. Some areas do not allow the limitation of consequential damages or limitations of how long an implied Warranty may last, so the above limitations or exclusions may not apply to you. This Warranty gives you specific legal rights, and you may have other rights which vary from locale to locale.

This is a limited Warranty within the meaning of that term as defined in the Magnuson-Moss Act of 1975.

Poulan PRO

Poulan PRO



MANUEL DU PROPRIÉTAIRE

NUMÉRO DE MODÈLE:
PR100
SOUFFLEUSE À NEIGE

⚠ ATTENTION:

Lisez soigneusement le manuel du propriétaire suivez tous les avertissements et les instructions de sécurité. Les blessures sérieuses peuvent en résulter si vous ne lisez pas ces avertissements et instructions de sécurité.

Vous pouvez utiliser de l'essence contenant jusqu'à 10 % d'éthanol (E10) avec cet appareil. L'utilisation d'essence contenant plus de 10 % d'éthanol annulera la garantie du produit.

Portez toujours des lunettes de sécurité lors de l'utilisation.

NOS FÉLICITATIONS pour l'achat d'une nouvelle souffleuse à neige. Elle a été conçue et fabriquée pour vous offrir la meilleure fiabilité et la meilleure performance.

Si vous rencontrez des problèmes que vous ne pouvez pas corriger facilement, veuillez contacter votre centre de réparations autorisé le plus près. Nos techniciens compétents disposent des outils appropriés pour entretenir ou réparer cette machine.

Veuillez lire le manuel et le conserver. Les instructions vous permettront d'assembler et de maintenir de façon appropriée votre souffleuse à neige. Toujours respecter les **RÈGLES DE SÉCURITÉ**.

Pratiques d'utilisation sécuritaire de souffleuses à neige poussées

IMPORTANT : Cette souffleuse à neige est capable d'amputer les mains et les pieds ainsi que de projeter des objets. Le défaut d'observer les consignes de sécurité dans ce manuel peut entraîner une blessure grave.



Recherchez ce symbole  qui indique d'importantes consignes de sécurité. Il signifie « ATTENTION » !!! FAIRE PREUVE DE VIGILANCE !!! VOTRE SÉCURITÉ EST EN JEU.



AVERTISSEMENT Toujours débrancher le fil de la bougie et le placer à une endroit où il ne peut pas entrer en contact avec la bougie afin d'éviter tout démarrage accidentel lors de réglages, du transport de la souffleuse à neige ou pendant les réparations.



AVERTISSEMENT Cette souffleuse à neige peut être utilisée sur les trottoirs, dans les entrées ou sur toute autre surface plane. Il faut faire preuve de prudence lors de l'utilisation dans les pentes. Ne pas utiliser la souffleuse à neige sur des surfaces au-dessus du niveau du sol, par exemple le toit d'une résidence, d'un garage, sur les galeries ou toute autre structure ou bâtiment.



AVERTISSEMENT Les souffleuses à neige comportent des pièces tournantes exposées qui peuvent occasionner des blessures graves en cas de contact ou si des objets sont projetés par la goulotte de décharge. S'assurer que la zone d'opération est libre de toute personne en tout temps, plus particulièrement les petits enfants et les animaux.



ATTENTION : Le silencieux et d'autres composants du moteur deviennent extrêmement chauds pendant le fonctionnement et restent chauds même après l'arrêt du moteur. Pour éviter des brûlures graves causées par le contact, se tenir loin de ces zones.



AVERTISSEMENT L'échappement du moteur, certains de ses constituants, et certains composants de véhicule contiennent ou émettent des produits chimiques reconnus dans l'État de Californie pour provoquer le cancer ou d'autre danger pour la reproduction.

Formation

1. Lire, comprendre et suivre les instructions sur la machine et dans le manuel avant d'opérer cette machine. Se familiariser avec les commandes et le fonctionnement approprié de la machine. Savoir comment arrêter la machine et désengager les commandes rapidement.
2. Ne jamais laisser un enfant manœuvrer la machine. Ne jamais laisser un adulte manœuvrer la machine sans lui avoir donné au préalable les instructions nécessaires.
3. S'assurer que la zone d'opération est libre de toute personne, plus particulièrement les petits enfants.
4. Faire preuve de prudence pour ne pas glisser ou tomber, plus particulièrement lorsque la souffleuse à neige est opérée en marche arrière.

Préparation

1. Inspecter avec soin la zone où la machine doit être utilisée et retirer les paillassons, les traîneaux, les planches, les fils et tout autre objet.
2. Désengager tous les embrayages et passer au point mort avant de démarrer le moteur le cas échéant.
3. Ne pas faire fonctionner l'équipement sans porter de vêtements adéquats pour l'hiver. Éviter de porter des vêtements amples qui pourrait s'enchevêtrer dans les pièces mobiles. Porter des bottes qui amélioreront votre prise de pied sur les surfaces glissantes.
4. Manipuler le carburant avec soin ; ce produit est hautement inflammable.
 - a) Utiliser uniquement des contenants d'essence homologués.
 - b) Ne jamais ajouter d'essence si le moteur tourne ou lorsqu'il est chaud.

- c) Remplir le réservoir de carburant à l'extérieur en faisant preuve d'une extrême prudence. Ne jamais remplir le réservoir de carburant à l'intérieur.
 - d) Ne jamais remplir des contenants à l'intérieur d'un véhicule ou sur une plateforme d'un camion ou d'une remorque avec des garnitures en plastique. Toujours placer les contenants sur le sol loin d'un véhicule lors du remplissage.
 - e) Lorsque la chose est possible, retirer tout équipement à essence du camion ou de la remorque et faire le remplissage sur le sol. Quand cela n'est pas possible, faire le remplissage de tel équipement avec un bidon portable plutôt qu'avec un pistolet distributeur d'essence.
 - f) Garder le pistolet distributeur en contact avec le bord du réservoir de carburant ou de l'ouverture du bidon à tout moment jusqu'à obtention du plein. Ne pas utiliser de dispositif à ouverture bloquée du pistolet distributeur.
 - g) Remettre le bouchon d'essence et essuyer tout carburant déversé.
 - h) En cas de déversement de carburant sur les vêtements, changer immédiatement de vêtement.
5. Utiliser des rallonges et des prises selon les spécifications du fabricant pour toutes les machines comportant un moteur électrique ou un démarreur électrique.
 6. Ne jamais tenter de faire des réglages lorsque le moteur est en marche (à moins que ce ne soit spécifiquement recommandé par le fabricant).
 7. Il faut toujours porter des lunettes de protection ou des protections oculaires lorsqu'on opère une souffleuse à neige ou lors des réparations et des réglages sur celle-ci.
 8. Utilisez des protecteurs d'oreilles pour éviter d'endommager l'audition.

Fonctionnement

1. Ne jamais placer les mains ou les pieds près des pièces en mouvement ou sous la machine. Toujours se tenir à l'écart de l'ouverture d'éjection.
2. Faire preuve d'une extrême prudence lors de l'utilisation sur des allées de graviers, des trottoirs ou des voies publiques, ou au moment de traverser ces dernières. Surveiller les dangers cachés ou la circulation.
3. Après avoir frappé un corps étranger, arrêter le moteur, débrancher la rallonge dans le cas des souffleuses à neige avec moteur électrique, inspecter avec soin la souffleuse à neige afin de déceler tout dommage et réparer la pièce endommagée avant de redémarrer et d'utiliser la souffleuse à neige. Retirer la clé d'allumage.
4. Si la machine commence à vibrer de façon anormale, arrêter le moteur et vérifier immédiatement la cause. Les vibrations sont généralement un avertissement de problèmes.
5. Arrêter le moteur chaque fois que vous quittez la position de fonctionnement, avant de dégager le logement de la tarière ou la goulotte de décharge ou au moment d'effectuer des réparations, des réglages ou des vérifications.
6. Au moment de nettoyer, de réparer ou d'inspecter la souffleuse à neige, arrêter le moteur et s'assurer que les lames de la tarière et les diverses autres pièces mobiles ne tournent plus. Retirer la clé d'allumage.
7. Ne pas faire fonctionner le moteur à l'intérieur, à l'exception du démarrage du moteur et lorsque vous transportez la souffleuse à neige à l'intérieur ou à l'extérieur du bâtiment. Ouvrir les portes menant à l'extérieur; les gaz d'échappement sont dangereux.
8. Faire preuve de prudence au moment d'utiliser la souffleuse à neige dans les pentes.
9. Ne jamais opérer la souffleuse à neige sans les protections appropriées ou sans que les dispositifs de protection soient en place et en état de fonctionnement.
10. Ne jamais diriger la goulotte vers les gens ou vers des zones où il peut y avoir des dommages à la propriété. Tenir les enfants et toute autre personne éloignés.
11. Ne pas surcharger la machine en tentant de souffler la neige à un débit trop rapide.
12. Ne jamais faire fonctionner la machine avec une vitesse de transport rapide sur des surfaces glissantes. Regarder en arrière et faire attention lorsque vous reculez.
13. Désengager les lames de la tarière lors du transport de la souffleuse à neige ou lorsque cette dernière n'est pas en utilisation.
14. Utiliser uniquement des accessoires et des outils approuvés par le fabricant de la souffleuse à neige.
15. Ne jamais faire fonctionner la souffleuse à neige sans avoir une bonne visibilité ou de la lumière. Soyez toujours certain de votre prise de pied et conservez une prise ferme sur les poignées. Marchez; ne courez jamais.
16. Ne jamais toucher un moteur ou un échappement lorsqu'il est chaud.

Dégager la goulotte de décharge



Le contact des mains avec les lames de la tarière en mouvement à l'intérieur de la goulotte de décharge est la cause la plus courante de blessures occasionnées par les souffleuses à neige. NE JAMAIS DÉGAGER LA GOULOTTE DE DÉCHARGE AVEC LES MAINS.

Pour dégager la goulotte :

1. COUPER LE MOTEUR!
2. Attendre 10 secondes pour vous assurer que les lames de la tarière ne tournent plus.

3. Toujours utiliser un outil d'au moins 15 pouces (39 cm) de long pour dégager la goulotte.

Entretien et Entreposage

1. Faire la vérification des vis de cisaillement et autres genres de vis par intervalles fréquents pour s'assurer qu'elles sont bien serrées et que l'équipement est en condition de travail sécuritaire.
2. Ne jamais entreposer la souffleuse à neige avec de l'essence dans le réservoir à l'intérieur d'un bâtiment où une source d'allumage est présente, telle que chauffe-eau, chaufferette, sècheuse et autres choses du genre. Permettre au moteur de se refroidir avant d'entreposer la machine dans un endroit renfermé.
3. Toujours faire référence au guide d'instruction de l'opérateur pour des détails importants si la souffleuse à neige doit être entreposée pour une longue période de temps.
4. Entretien ou remplacer les étiquettes et instructions de sécurité au besoin.
5. Faire fonctionner la machine avec la tarière engagée pendant quelques minutes après avoir déblayé la neige, pour dégager la machine et prévenir le gèle de la collecteur et de la turbine.

NUMÉRO DE SÉRIE : _____

DATE D'ACHAT : _____

LE NUMÉRO DE MODÈLE ET LE NUMÉRO DE SÉRIE SERONT INSCRITS SUR UNE ÉTIQUETTE APOSÉE À L'ARRIÈRE DU CARTER DE LA SOUFFLEUSE À NEIGE (Figure 1).

VOUS DEVRIEZ NOTER LE NUMÉRO DE SÉRIE ET LA DATE D'ACHAT, PUIS CONSERVER LE TOUT DANS UN ENDROIT SÛR À DES FINS DE RÉFÉRENCE ULTÉRIEURE.

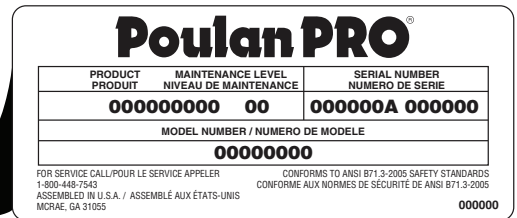


Figure 1

RESPONSABILITÉS DU CLIENT

- Lire et observer toutes les règles de sécurité.
- Suivre un programme régulier d'entretien, de soin et d'utilisation de la souffleuse à neige.
- Suivre les instructions sous la section « Entretien et entreposage » dans ce manuel.

SPÉCIFICATIONS DE PRODUIT

Capacité et le Type d'essence:	1,5 Litres (1,6 Qt) L'essence Sans Plomb Normale
Type d'huile (API SG-SL):	Supérieur de 10°C (SAE 30) 0°-10°C (SAE 5W-30 ou 10W-30) Inférieure de 0°C (SAE 5W-30)
Capacité d'huile:	0,47Litres (16 Ounces)
Bougie d'allumage:	F6RTC
Écart:	0,762 mm (0,030")

TABLE DES MATIÈRES

RÈGLES DE SÉCURITÉ.....	2-3	ENTRETIEN	12-16
SPÉCIFICATIONS DU PRODUIT	3	ENTREPOSAGE.....	17
RESPONSABILITÉS DU CLIENT	3	DÉPANNAGE.....	18
ÉTIQUETTES DE SÉCURITÉ ET D'INSTRUCTIONS.....	4	PIÈCES DE RÉPARATION	20-29
RÉGLAGES	5-6	GARANTIE.....	30
FONCTIONNEMENT	7-11		

CONNAÎTRE VOTRE SOUFFLEUSE À NEIGE

LISEZ CE MANUEL DU PROPRIÉTAIRE ET LES RÈGLES DE SÉCURITÉ AVANT D'OPÉRER CETTE SOUFFLEUSE À NEIGE. Comparez les illustrations avec votre souffleuse à neige afin de connaître l'emplacement de différents réglages et commandes. Conservez ce manuel aux fins de référence.

Ces symboles peuvent apparaître sur la souffleuse à neige ou avec la documentation livrée avec la machine. Il est conseillé d'apprendre et de comprendre leur signification.

IMPORTANT : Les étiquettes de sécurité et d'instructions sont apposées près des zones présentant des dangers potentiels. Remplacer les étiquettes endommagées.



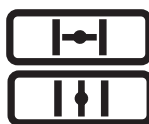
ATTENTION



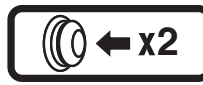
MOTEUR EN MARCHÉ



MOTEUR EN ARRÊTÉ



STARTER



APPRET



ESSENCE



L'HUILE



LIRE ET SUIVRE TOUTES LES INFORMATIONS SUR LA SECURITE ET LES INSTRUCTIONS AVANT L'USAGE DE CE PRODUIT. GARDER CES INSTRUCTIONS POUR LA REFERENCE FUTURE.



PROTECTION DE L'OREILLE NÉCESSAIRE



CLEF DE CONTACT. L'INSERTION POUR COMMENCER ET COURIR, HORS DE FORCE ARRÊTER

⚠ DANGER

Shut off engine before unclogging chute. A clean-out tool must be used. Never use your hand to unclog chute.

Les blocages ne doivent pas être dégasés jusqu'à ce que le moteur soit au point mort. Utilisez un outil pour nettoyage. N'utilisez jamais vos mains pour nettoyer les chutes.

435835

⚠ DANGER

TO AVOID INJURY FROM ROTATING AUGER - KEEP HANDS, FEET AND CLOTHING AWAY.

POUR ÉVITER DES BLESSURES SÉRIEUSES AVEC LA FOREUSE TOURNANTE - GARDEZ LES MAINS, LES PIEDS ET LES VÊTEMENTS LOIN.

435824

⚠ DANGER

- Read and follow owner's manual.
- Never allow children to operate snowthrower.
- Keep all shields and guards in place while operating.
- Shut off engine and remain behind handles until all moving parts have stopped before unclogging or servicing unit.
- To avoid thrown object injuries never direct discharge at bystanders. Use extra caution when operating on gravel surfaces.

- Lisez le manuel du propriétaire.
- N'autorisez jamais que le enfants utilisent le chasse - neige.
- Gardez tous les déflecteurs en place pendant l'utilisation.
- Arrêtez le moteur et restez derrière des guidons jusqu'à ce que toutes les pièces mobiles se soient arrêtées avant de déboucher ou de faire aucun entretien à l'unité.
- Pour éviter des blessures sérieuses d'objets projetés; soyez conscient que l'orientation de la décharge ne soit jamais dirigée aux spectateurs. Prenez des précautions particulières quand vous allez sur des surfaces de gravier.

START
RUN

435842

Réglages

Pièces en vrac

Utiliser le graphique ci-dessous pour vous assurer que toutes les pièces ont été expédiées.

Procédure	Description	Qté	Utilisation
1.	Aucune pièce requise	–	Déplier la poignée.
2.	Boulons de châssis	4	Poser la goulotte de décharge.
	Boulon	1	Poser la goulotte de décharge.
	Écrous à embase	4	Poser la goulotte de décharge.
	Rondelle	1	Poser la goulotte de décharge.
	Bouton	1	Poser la goulotte de décharge.
	Pongeur à chapeaux	1	Poser la goulotte de décharge.
	Goulotte	1	
	Défecteur	1	

1. Déplier la poignée

Procédure

1. Desserrer les deux boutons de la poignée et les retirer jusqu'à ce que vous puissiez déplacer la poignée librement et la tourner en position de fonctionnement (Figure 2).

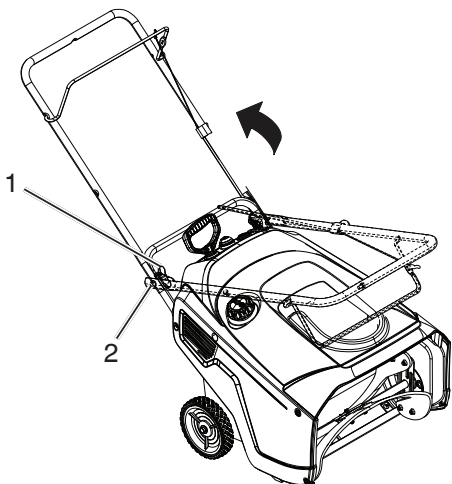


Figure 2

1. Boutons de la poignée 2. Boulon de la poignée

2. Serrer les boutons de la poignée jusqu'à ce qu'ils affleurent.

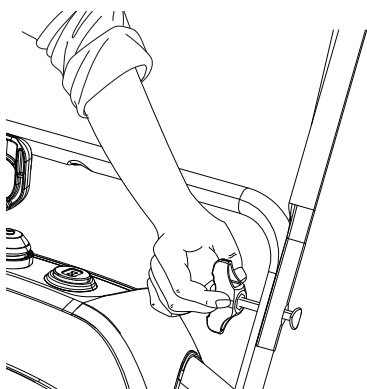


Figure 3

2. Poser la goulotte de décharge

Procédure

1. Poser le déflecteur de goulotte sur la goulotte de décharge à l'aide des vis et, de la rondelle, de l'écrou, du bouton de déflecteur et du capuchon du plongeur (Figure 4).
2. Poser la goulotte de décharge à la base de la goulotte en utilisant les trois vis et les écrous (Figure 4).

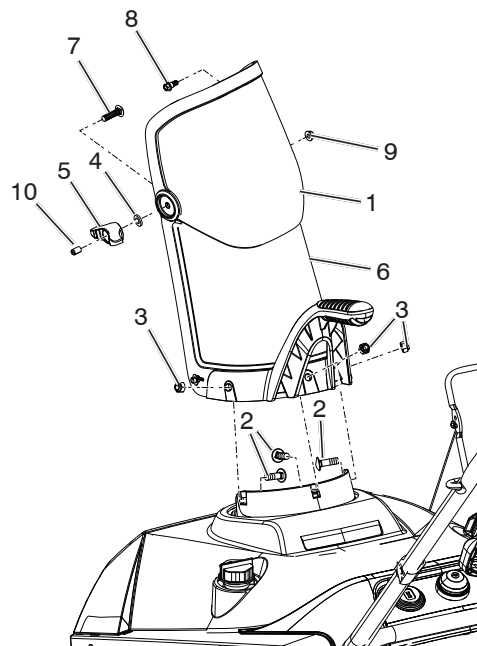


Figure 4

- | | |
|----------------------------|--------------------------|
| 1. Défecteur de goulotte | 6. Goulotte de décharge |
| 2. Boulons de châssis | 7. Boulon |
| 3. Écrous à embase 5/16-18 | 8. Boulon |
| 4. Rondelle | 9. Écrous à embas 1/4-20 |
| 5. Bouton | 10. Pongeur à chapeau |

IMPORTANT: Ne pas trop serrer les écrous à embase ; si tel n'est pas le cas, il pourrait en résulter des dommages à la goulotte de décharge.

3. Remplir le moteur d'huile

MOTEUR

Se reporter au manuel du moteur.

LUBRIFICATION

=**REMARQUE** : L'HUILE SAE 10W30 ou SAE 5W30 est acceptable pour une utilisation par temps froid si le moteur est difficile à lancer.

REMARQUE: Bien que les huiles à viscosité multiple (5W30, 10W30, etc.) améliorent le démarrage par temps froid, ces huiles résultent en une plus grande consommation d'huile lorsqu'elles sont utilisées au dessus de 32°F/0°C. Vérifier le niveau de l'huile moteur plus souvent afin d'éviter d'endommager le moteur tournant avec un niveau d'huile bas.

Vidanger l'huile après toutes les 25 heures d'opération ou au moins une fois par année si la souffleuse à neige n'est pas utilisée plus de 25 heures en une année.

Vérifier le niveau d'huile du carter moteur avant de démarrer le moteur et après chaque cinq (5) heures d'opération. Bien serrer le bouchon de remplissage/jauge à chaque vérification du niveau d'huile.

1. Déplacer la souffleuse à neige sur une surface plane.
2. Nettoyer la zone autour de la jauge (Figure 5).

REMARQUE : L'emplacement de la jauge peut varier selon le type de moteur.

3. Retirer le capuchon de remplissage ou la jauge à huile puis l'essuyer.

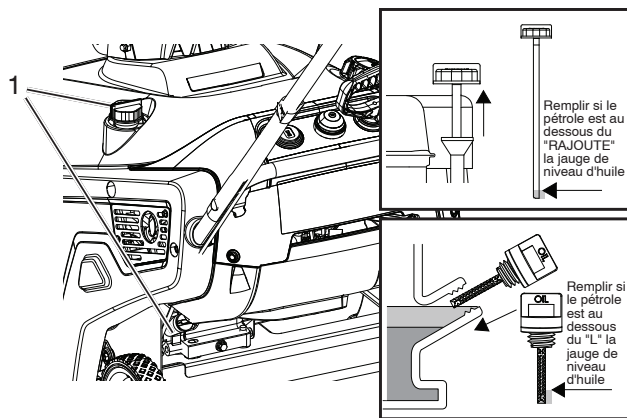


Figure 5

1. Bouchon de remplissage d'huile/jauge

4. Insérer la jauge dans le goulot de remplissage et tourner dans le sens horaire jusqu'à ce qu'elle soit bien en place. Retirer ensuite la jauge en la tournant dans le sens anti-horaire.
5. Remplir jusqu'au repère « FULL » sur la jauge avec de l'huile recommandée par le fabricant.
6. Bien serrer le bouchon de remplissage d'huile/la jauge.

Aperçu du produit

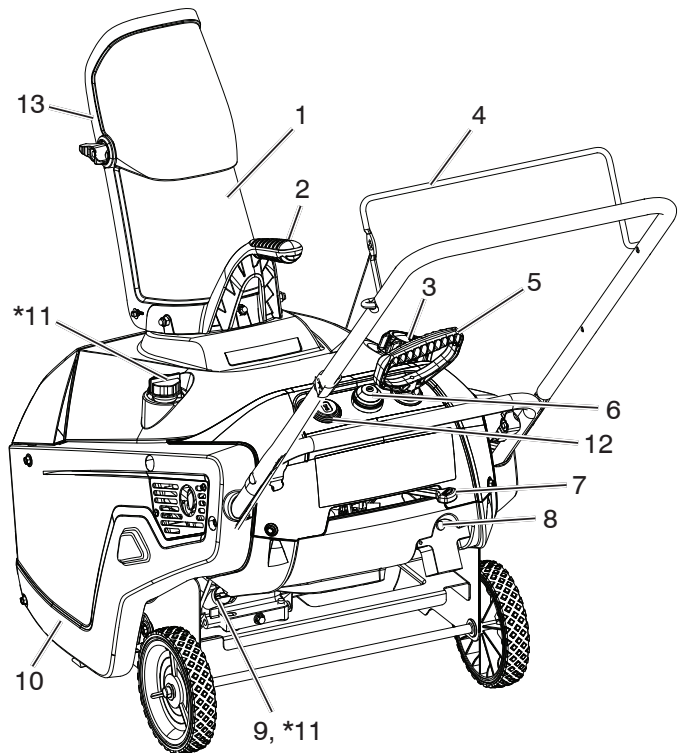



Figure 6

- | | |
|---|--|
| 1. Goulotte de décharge | 8. Bouton de démarrage électrique (le cas échéant) |
| 2. Poignée du déflecteur de la goulotte | 9. Bouchon de vidange d'huile |
| 3. Bouchon du réservoir de carburant | 10. Couvercle de la courroie d'entraînement |
| 4. Barre de commande | *11. Bouchon de remplissage d'huile/jauge |
| 5. Poignée du lanceur | 12. Clé d'allumage |
| 6. Amorceur | 13. Déflecteur de goulotte |
| 7. Levier du démarreur | |

* L'emplacement de la jauge peut varier selon le type de moteur.

Fonctionnement

REMARQUE : Établir le côté gauche et le côté droit de la machine à partir de la position d'opération.



- L'essence est extrêmement inflammable et explosive. Un incendie ou une explosion causé par l'essence peut vous brûler ou brûler les autres.
- Pour éviter qu'une décharge statique n'enflamme l'essence, placer le récipient ou la souffleuse à neige sur le sol avant de procéder à l'avitaillement en carburant ; ne pas placer le tout dans un véhicule ou sur un objet quelconque.
- Remplir le réservoir à l'extérieur lorsque le moteur est froid. Essuyer tout carburant déversé.
- Ne pas manipuler l'essence en fumant ou près de flammes nues ou d'étincelles.
- Ranger l'essence dans un récipient approuvé, hors de la portée des enfants.
- Ne pas incliner la souffleuse à neige lorsqu'il y a du carburant dans le réservoir.



Opérer une souffleuse à neige comporte le risque de projection d'objets dans les yeux pouvant entraîner de graves dommages pour les yeux. Il faut toujours porter des lunettes de protection ou des protections oculaires lorsqu'on opère une souffleuse à neige ou lors des réparations et des réglages sur celle-ci. Nous recommandons un masque de protection à grand angle sur des lunettes régulières ou de protection.

IMPORTANT : Sachez comment utiliser toutes les commandes avant d'ajouter du carburant ou de tenter de démarrer le moteur.

Remplir le réservoir de carburant

Remplissez le réservoir d'essence sans plomb récente (indice d'octane 87 minimum) (Figure 7).

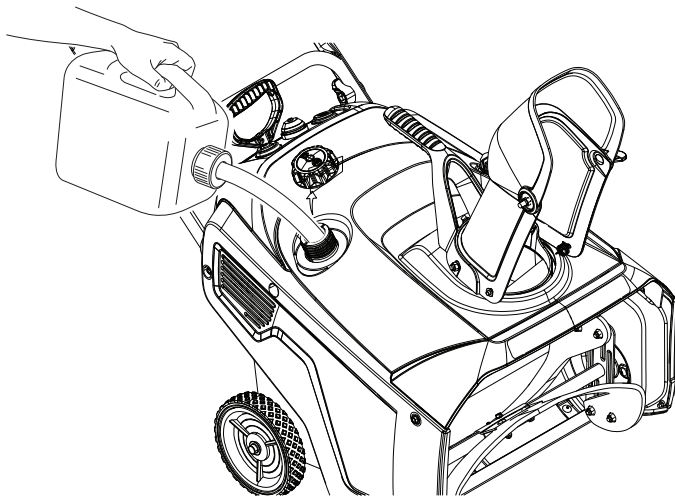


Figure 7

IMPORTANT : Ne pas ajouter d'huile au carburant.

IMPORTANT : Ne pas utiliser de carburants mélangés E85. Ce moteur n'est pas compatible E20/E30/E85. Les carburants de remplacement à forte teneur en alcool peuvent occasionner un démarrage difficile, une mauvaise performance du moteur et des dommages internes au moteur.

REMARQUE: Pour de meilleurs résultats, n'acheter que la quantité de carburant qui sera consommée dans les 30 jours. Sinon, ajouter du stabilisateur de carburant pour conserver la quantité achetée pendant six mois au maximum.

Vérifier le niveau d'huile moteur

1. Déplacer la souffleuse à neige sur une surface plane.
2. Nettoyer la zone autour de la jauge (Figure 8).

REMARQUE: L'emplacement de la jauge peut varier selon le type de moteur.

3. Retirer le capuchon de remplissage ou la jauge à huile puis l'essuyer.

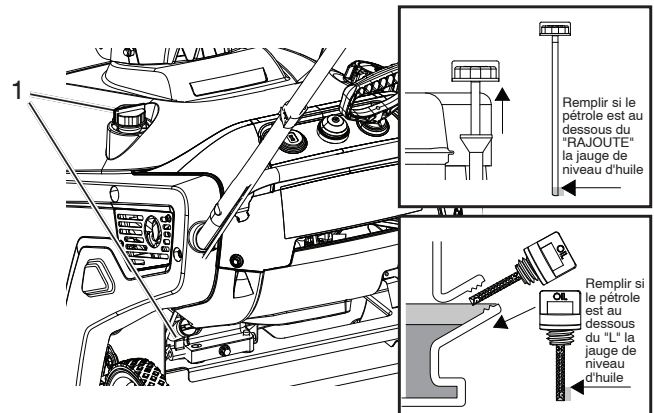


Figure 8

1. Bouchon de remplissage d'huile/jauge

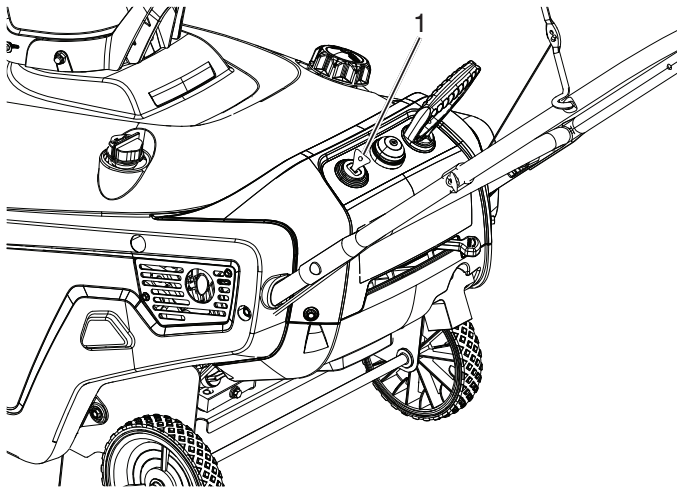
4. Insérer la jauge dans le goulot de remplissage et tourner dans le sens horaire jusqu'à ce qu'elle soit bien en place. Retirer ensuite la jauge en la tournant dans le sens anti-horaire.
5. Remplir jusqu'au repère « FULL » sur la jauge avec de l'huile recommandée par le fabricant.
6. Bien serrer le bouchon de remplissage d'huile/la jauge.

REMARQUE: Le fait de faire tourner le moteur avec un bas niveau d'huile peut endommager le moteur. Toujours vérifier le niveau d'huile moteur avant le démarrage du moteur.

REMARQUE: Le fait de faire tourner le moteur avec une trop grande quantité d'huile peut endommager le moteur et occasionner un excès de fumée dans l'échappement. Toujours vérifier le niveau d'huile moteur avant le démarrage du moteur.

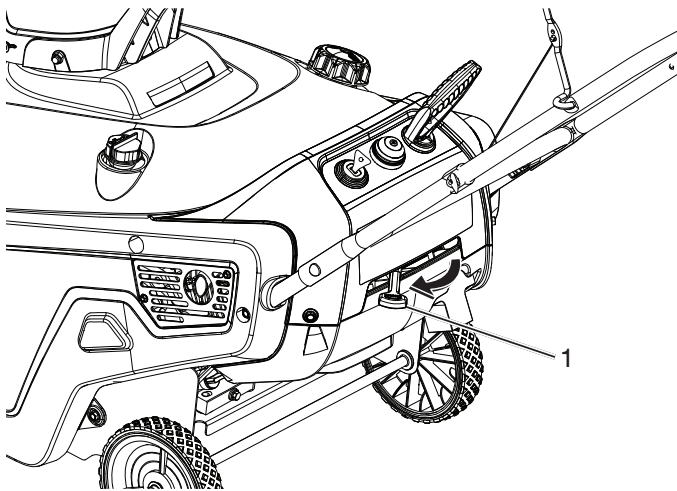
Démarrer le moteur

1. Insérer la clé (Figure 9).



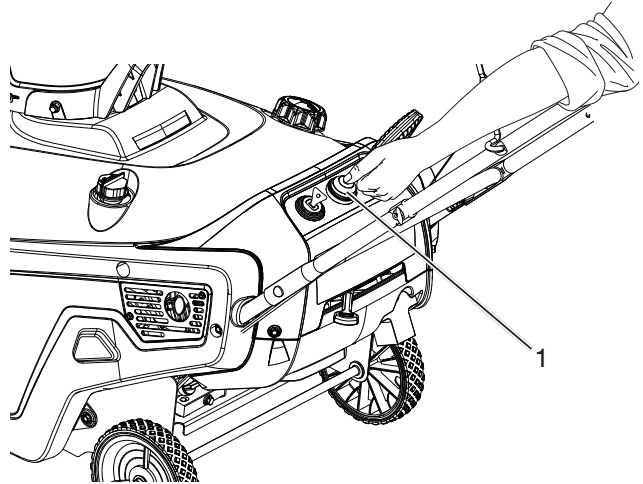
1. Clé
Figure 9

2. Déplacer la commande des gaz à la position de gauche (Figure 10).



1. Levier du démarreur
Figure 10

3. Appuyer fermement sur l'amorceur à trois reprises avec le pouce, en maintenant l'amorceur enfoncé pendant une seconde avant de le relâcher chaque fois (Figure 11).

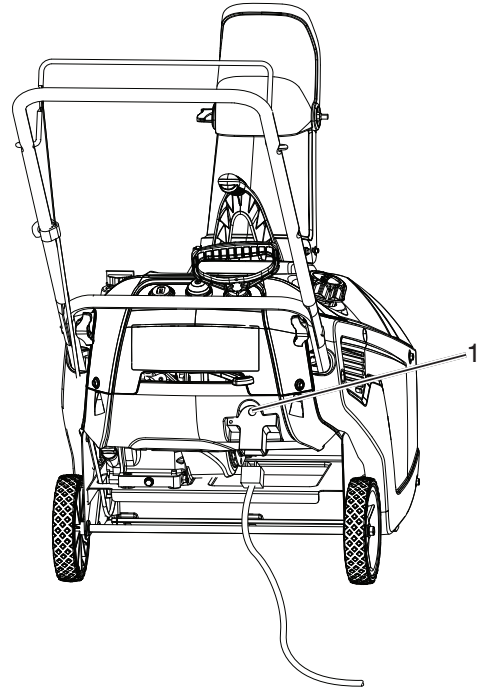


1. Amorceur
Figure 11

REMARQUE: Retirer vos gants au moment d'enfoncer l'amorceur de façon à ce que l'air ne s'échappe pas du trou de l'amorceur.

IMPORTANT: Il peut ne pas être nécessaire d'utiliser l'amorceur ou le volet de départ si le moteur a déjà tourné et s'il est chaud. Un calage excessif peut noyer le moteur et l'empêcher de démarrer.

4. Tirer le lanceur à enrouleur ou si votre souffleur à neige est équipé d'un démarreur électrique, brancher une rallonge au souffleur à neige et brancher l'autre extrémité dans une prise d'alimentation à trois trous 110 volts c.a., puis appuyer sur le bouton du démarreur électrique (Figure 12).



1. Bouton de démarrage électrique
Figure 12

REMARQUE: Utiliser une corde d'extension recommandée pour une utilisation extérieure de longueur inférieure à 50 pieds (15 m).



La rallonge peut être endommagée, ce qui peut occasionner un choc électrique ou un incendie.

Vérifier avec soin la rallonge avant de la brancher dans une source d'alimentation électrique. Si la rallonge est endommagée, ne pas l'utiliser pour faire démarrer la souffleuse à neige. Réparer ou remplacer immédiatement la rallonge endommagée. Contacter un centre de réparations autorisé pour obtenir de l'aide.



Figure 13

1. Poignée du lanceur

IMPORTANT: Ne pas actionner le démarreur électrique à plus de 10 reprises à des intervalles de 5 secondes (5 secondes en marche, 5 secondes à l'arrêt). L'actionnement excessif du démarreur électrique peut occasionner la surchauffe du composant et l'endommager. Si le moteur ne démarre pas après cette première série de tentatives, attendre au moins 40 minutes pour laisser le démarreur refroidir avant de tenter de démarrer la machine à nouveau. Si le moteur ne démarre pas après la seconde tentative, apporter la souffleuse à neige chez un centre de réparations autorisé aux fins d'entretien.

REMARQUE: Si vous tirez sur la poignée du lanceur et qu'aucune résistance ne se fait sentir, il est possible que le démarreur soit gelé. Faire dégeler le démarreur avant de tenter de démarrer la souffleuse à neige.

5. Lorsque le moteur tourne, déplacer la commande des gaz à la position de droite.
6. Débrancher la rallonge de la source d'alimentation et de la souffleuse à neige (Figure 12).



Débrancher la rallonge chaque fois que le moteur de la souffleuse à neige n'est pas mis en marche.

Embrayer les lames de la tarière

Pour embrayer les lames de la tarière, maintenir la barre de contrôle contre la poignée (Figure 14).



Figure 14

1. Barre de commande

Désengager les lames de la tarière

Pour désengager les lames de la tarière, relâcher la barre de contrôle (Figure 15).



Figure 15

1. Barre de commande

IMPORTANT: Lors du fonctionnement initial, il peut y avoir de l'usure entre les lames de la tarière et le racloir. Une performance maximale, tant pour le soufflage de la neige que la conduite, est atteinte lorsqu'il n'y a pas de dégagement entre ces deux parties (Figure 16).



Lors de la période initiale d'utilisation des lames de la tarière, il est normal qu'une chaleur excessive s'accumule si elles ne sont pas utilisées dans la neige.

Ne pas faire fonctionner la machine sans neige ou sans eau pour lubrifier les lames de la tarière. Cela occasionnera une accumulation excessive de chaleur dans les lames de la tarière, ce qui pourrait endommager les lames et le racloir

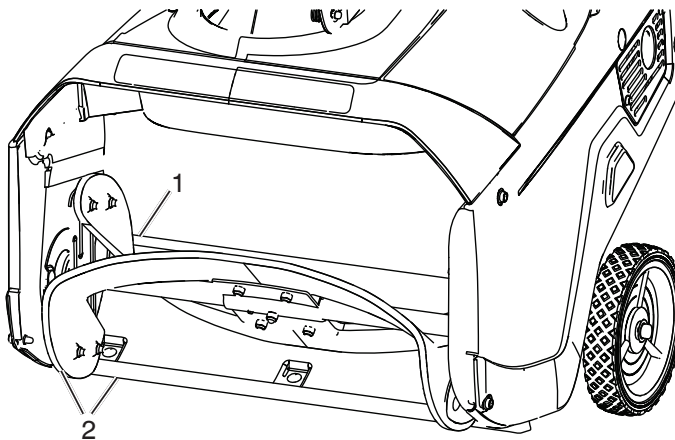


Figure 16

1. Zone de frottement 2. Zones d'usure

Couper le moteur

Pour arrêter le moteur, retirer la clé (Figure 17).

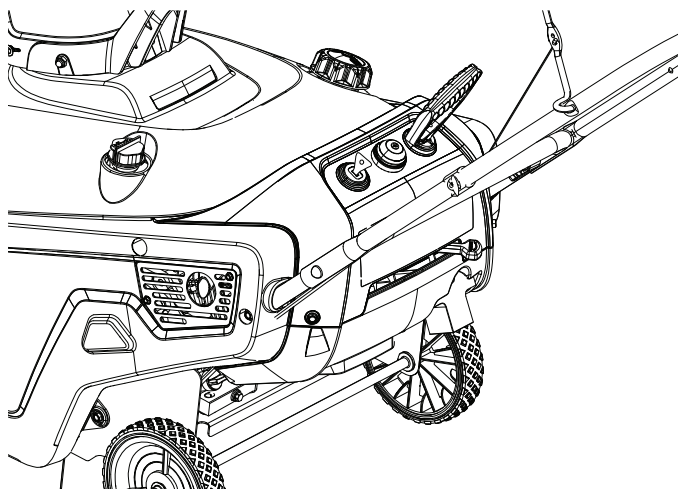


Figure 17

1. Clé

Régler la goulotte de décharge et le déflecteur de goulotte

Pour effectuer le réglage de la goulotte de décharge, déplacer la poignée du déflecteur de goulotte vers la gauche ou la droite jusqu'à la position souhaitée (Figure 18).

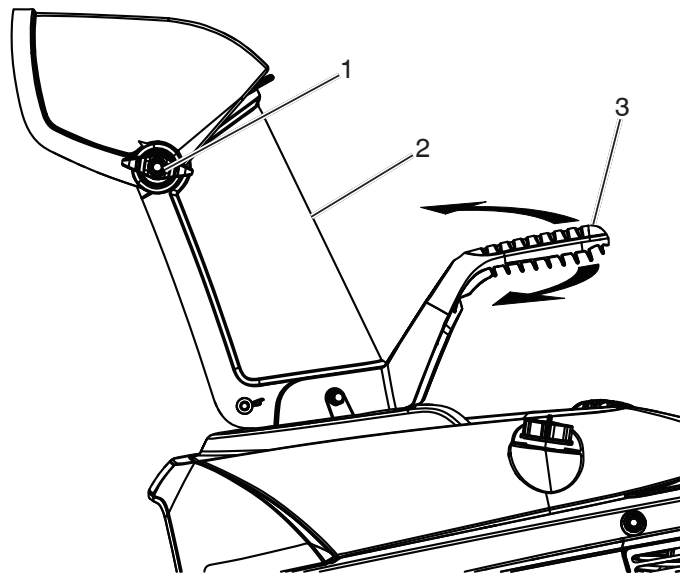


Figure 18

1. Bouton du déflecteur de goulotte
2. Déflecteur de goulotte
3. Poignée de la goulotte

Pour relever ou abaisser l'angle du déflecteur de goulotte, desserrer le bouton du déflecteur de goulotte puis abaisser ou relever le déflecteur de goulotte (Figure 18).

Dégager la goulotte de décharge obstruée



Le contact des mains avec les lames de la tarière en mouvement à l'intérieur de la goulotte de décharge est la cause la plus courante de blessures occasionnées par les souffleuses à neige. NE JAMAIS DÉGAGER LA GOULOTTE DE DÉCHARGE AVEC LES MAINS.

Pour dégager la goulotte:

1. COUPER LE MOTEUR!
2. Attendre 10 secondes pour vous assurer que les lames de la tarière ne tournent plus.
3. Toujours utiliser un outil d'au moins 15 pouces de long pour dégager la goulotte, non pas vos mains (Figure 19).



Figure 19

Empêcher le gel après l'utilisation

- Laisser le moteur tourner pendant quelques minutes pour empêcher les pièces mobiles de geler. Couper le moteur, attendre que tous les composants en mouvement cessent de tourner, puis retirer la neige et la glace de la souffleuse à neige.
- Nettoyer la neige et la glace de la base de la goulotte.
- Tourner la goulotte de décharge vers la gauche et vers la droite pour dégager toute accumulation de glace.
- Avec la clé de contact sur la position OFF, tirer sur la poignée du lanceur à plusieurs reprises ou brancher la rallonge à une source d'alimentation et à la souffleuse à neige, puis enfoncer à une reprise le bouton du démarreur électrique afin d'empêcher le gel du lanceur ou du démarreur électrique.
- Par temps froid et s'il neige, certaines commandes et pièces mobiles peuvent geler. Ne pas utiliser de force excessive pour tenter d'utiliser des commandes qui sont gelées. Si certaines commandes ou pièces sont difficiles à faire fonctionner, démarrer le moteur et le laisser tourner pendant quelques minutes.

Conseils d'utilisation



Les lames de la tarière peuvent projeter des pierres, des jouets et d'autres objets et occasionner des blessures graves à l'opérateur ou aux personnes qui se trouvent à proximité.

- Garder la zone à déneiger exempte d'objets que les lames de la tarière pourraient projeter.
 - Tenir les enfants et les animaux éloignés de la zone d'opération.
 - Ne pas faire fonctionner la souffleuse à neige si les conditions météorologiques réduisent la visibilité. Le fait de déneiger pendant une tempête de neige peut vous aveugler et peut présenter des risques quant au fonctionnement sûr de la souffleuse à neige.
- Le meilleur moment pour souffler la neige est tôt le matin. À ce moment, la neige est habituellement sèche et elle n'a pas été exposée aux rayons du soleil et au réchauffement de la température.
 - Chevaucher légèrement chaque tracé pour s'assurer de bien retirer toute la neige.
 - Projeter la neige dans la direction du vent lorsque la chose est possible.
 - Lorsque la neige est extrêmement lourde, réduire la largeur du tracé en chevauchant le tracé précédant et en avançant lentement.
 - Garder le moteur propre et exempt de neige pendant l'utilisation. L'air circule et cela permet de prolonger la durée de vie du moteur.
 - Dès que toute la neige a été enlevée, laisser le moteur tourner pendant quelques minutes pour permettre à la neige et à la glace de fondre sur le moteur.
 - Nettoyer toute la surface de la souffleuse à neige après chaque utilisation et bien l'essuyer pour qu'elle soit prête pour sa prochaine utilisation.
 - La pulvérisation de l'unité à l'aide d'un tuyau n'est PAS recommandée

Entretien

REMARQUE: Établir le côté gauche et le côté droit de la machine à partir de la position d'opération.

<h2 style="text-align: center;">GUIDE D'ENTRETIEN</h2> <p style="text-align: center;">INSCRIVEZ LES DATES AU FUR ET À MESURE QUE VOUS EFFECTUEZ LES ENTRETIENS RÉGULIERS</p>		AVANT CHAQUE UTILISATION APRÈS CHAQUE UTILISATION TOUTES LES 25 HEURES OU CHAQUE SAISON AVANT L'ENTREPOSAGE				DATES D'ENTRETIEN							
		ESCUFLEUSE	✓	✓	✓	✓							
ESCUFLEUSE	Vérifiez l'intégrité des systèmes de fixation	✓			✓								
	Nettoyez la souffleuse à neige		✓		✓								
	Vérifiez la courroie			✓									
	Vérifier/Remplacer les lames de la tarière et le racloir	✓											
	Tableau de lubrification			✓	✓								
MOTEUR	Vérifiez le niveau d'huile de moteur	✓											
	Remplacez l'huile de moteur			✓									
	Inspectez le silencieux			✓									
	Nettoyez ou remplacez la bougie d'allumage			✓									
	Vidangez le réservoir d'essence				✓								

Régler le câble de commande

Vérifier le câble de commande

Relâcher la barre de contrôle pour éliminer le mou dans le câble de commande (Figure 20).



Figure 20

IMPORTANT: Le câble de commande doit comporter un certain jeu lorsque vous désengagez la barre de commande pour que les lames de la tarière cessent de tourner correctement.

REMARQUE: Il est possible qu'il faille régler le câble de commande de la position 1 (par défaut) à la position 2 s'il y a glissement de la courroie lors de l'embrayage de la barre de commande.

REMARQUE: Si le câble est réglé à la position 2, s'assurer que la tarière s'arrête correctement lorsque la barre de commande est relâchée.

Régler le câble de commande

1. Avec la barre de commande désengagée, détacher et déplacer le câble de commande à la position la plus élevée. (Figure 21).

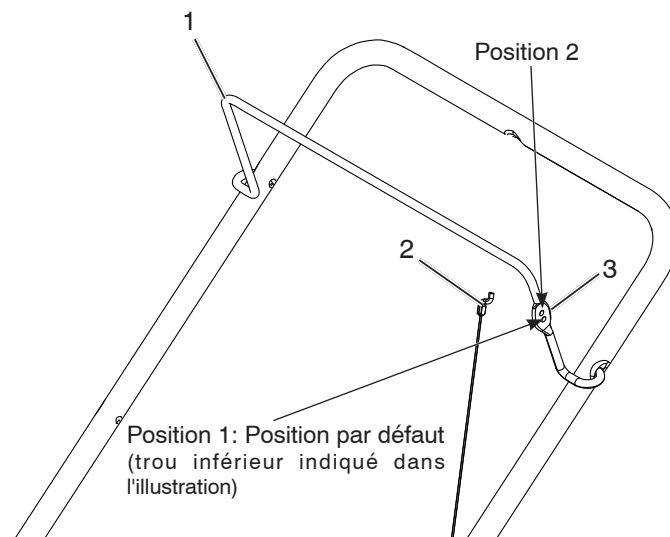


Figure 21

1. Barre de commande
2. Tringlerie de tendeur
3. Positions du câble

Inspection des lames de la tarière/des racloirs

Avant chaque session, inspecter les lames de la tarière pour détecter toute usure. Lorsqu'une extrémité de lame de la tarière ou un racloir présente une usure, remplacer les lames de la tarière et le racloir auprès d'un réparateur agréé (Figure 22).

REMARQUE: Les lames de la tarière et le racloir sont des pièces qui peuvent s'user et qui peuvent devoir être remplacées après un usage extensif.

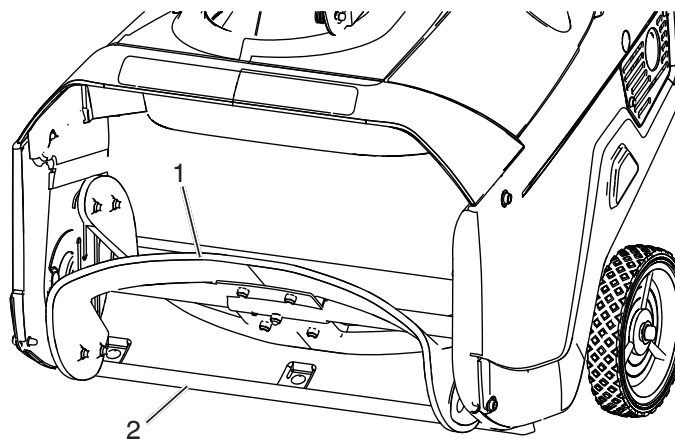


Figure 22

1. Lames de la tarière
2. Racleur

Vidanger l'huile moteur

Laisser le moteur tourner pendant quelques minutes avant de vidanger l'huile pour qu'elle soit chaude. L'huile chaude s'écoule plus facilement et contient davantage de contaminants.



L'huile moteur sera chaude. Éviter tout contact de la peau avec l'huile moteur usée.

1. Déplacer la souffleuse à neige sur une surface plane.
2. Laisser la souffleuse à neige tourner jusqu'à ce qu'il n'y ait plus de carburant dans le réservoir.
3. Retirer la clé d'allumage.

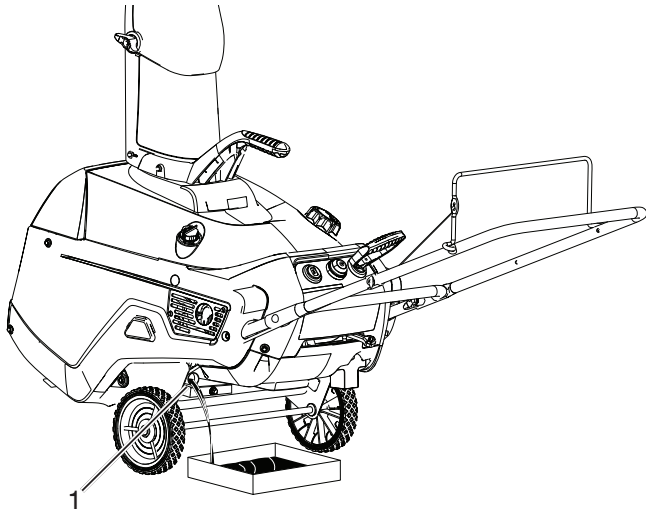


Figure 23

1. Bouchon de vidange d'huile

4. Placer un contenant sous le bouchon de vidange d'huile, retirer le bouchon de vidange d'huile, puis basculer la souffleuse à neige vers l'arrière et laisser l'huile usée s'écouler dans le carter de vidange d'huile (Figure 23).
5. Après avoir vidangé l'huile, remettre la souffleuse à neige en position de fonctionnement.
6. Visser le bouchon de remplissage d'huile/la jauge et bien serrer à la main (1).

REMARQUE: L'emplacement de la jauge peut varier selon le type de moteur.

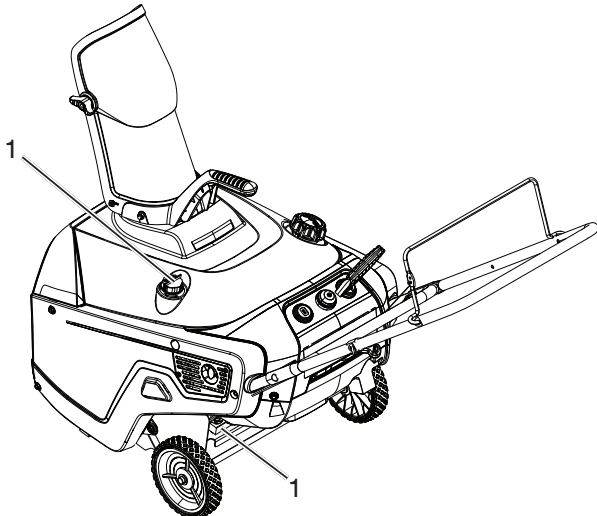


Figure 24

1. Bouchon de remplissage d'huile/jauge

7. Nettoyer la zone autour du bouchon de remplissage d'huile/ de la jauge (Figure 24).
8. Dévisser le bouchon de remplissage d'huile/la jauge et déposer le tout (Figure 25).
9. Avec la souffleuse à neige en position de fonctionnement, verser avec soin l'huile dans le trou de remplissage jusqu'au repère « FULL » (PLEIN) sur le bouchon de remplissage/la jauge (Figure 25).

Remplissage maximal: 18 oz (0,5 L), type : huile détergente de qualité automobile avec classification API SG, SL ou supérieure.

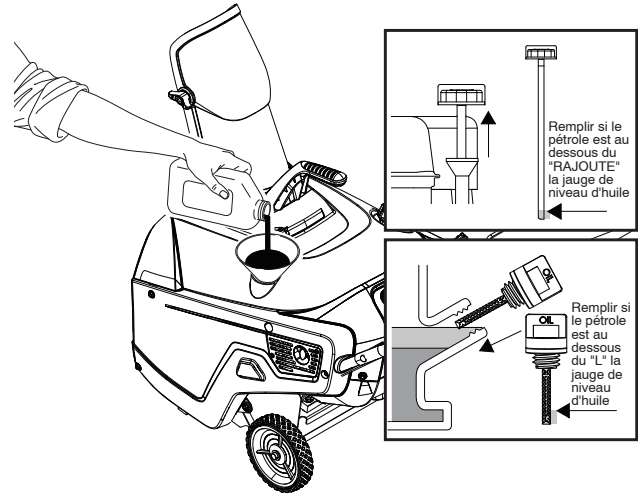


Figure 25

10. Visser le bouchon de remplissage d'huile/la jauge et bien serrer à la main.
11. Essuyer toute huile déversée.
12. Éliminer l'huile usée de façon appropriée (centre local de récupération).

Entretien la bougie

Utiliser une bougie NGK BPR6ES, Champion RN9YC ou BOSCH WR6DC, ou tout produit équivalent.

1. Couper le moteur et attendre que tous les composants en mouvement cessent de tourner.
2. Tourner la goulotte de décharge de façon à ce qu'elle soit orientée vers l'avant.
3. Déposer la goulotte de décharge et la poignée de la goulotte de décharge en retirant les trois boulons de châssis et les trois écrous à embase (Figure 26).

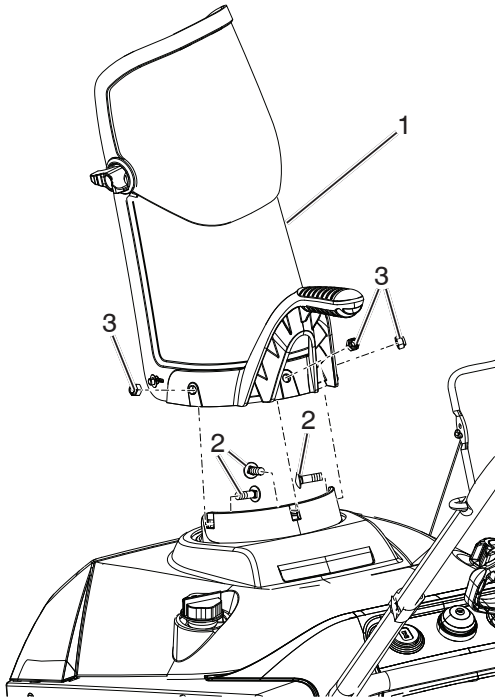


Figure 26

1. Goulotte de décharge
2. Boulons de châssis
3. Écrous à embase

4. Retirer les six vis qui retiennent l'enveloppe (Figure 27).

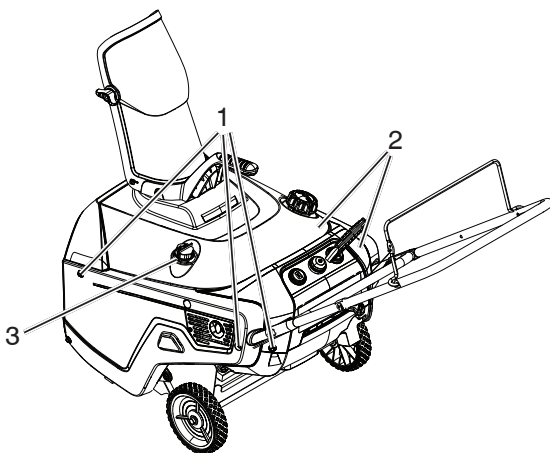


Figure 27

1. Vis
2. Enveloppe
3. Bouchon de remplissage d'huile

5. Retirer le bouchon de remplissage d'huile.
6. Retirer l'enveloppe (Figure 27).
7. Poser le bouchon de remplissage d'huile.
8. Déconnecter le fil de la bougie (Figure 28).
9. Nettoyer la zone autour de la bougie.
10. Retirer la bougie de la culasse.

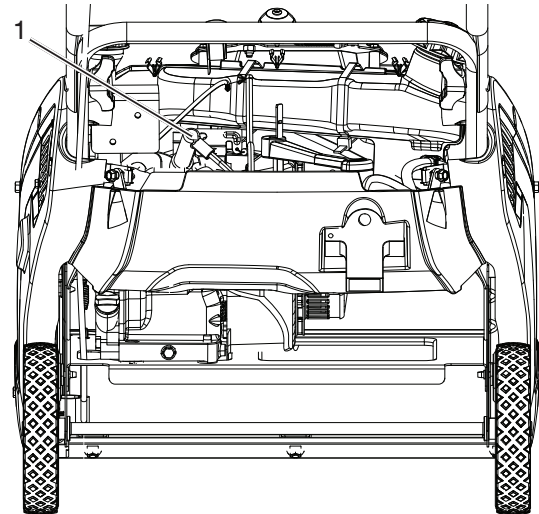


Figure 28

1. Câble de la bougie d'allumage

IMPORTANT: Toujours remplacer une bougie fissurée, encrassée ou sale. Ne pas nettoyer les électrodes, les impuretés pénétrant dans la culasse peuvent endommager le moteur.

11. Régler l'écartement sur la bougie à 0,030 po (0,76 mm) (Figure 29).

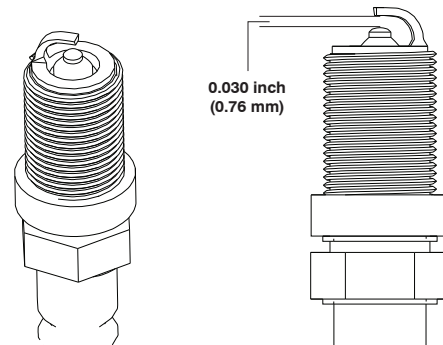


Figure 29

12. Poser la bougie et serrer au couple prescrit (20 à 22 lb-pi / 27 à 30 N-m).
13. Connecter le fil de la bougie (Figure 28).
14. Retirer le bouchon de remplissage d'huile.
15. Poser l'enveloppe en remplaçant les vis déposées à l'étape 4 (Figure 27).

REMARQUE: S'assurer que l'enveloppe s'insère bien dans les rainures latérales.

16. Poser le bouchon de remplissage d'huile.
17. Poser la goulotte de décharge et la poignée de la goulotte de décharge sur la souffluse à neige en remplaçant les pièces de fixation déposées à l'étape 3 (Figure 26).

Remplacer la courroie d'entraînement

Si la courroie d'entraînement est usée, imbibée d'huile, fissurée, effilochée ou endommagée de quelque façon que ce soit, il est nécessaire de la remplacer.

1. Retirer le couvercle du côté d'entraînement en déposant les six vis de la façon indiquée à la (Figure 30).

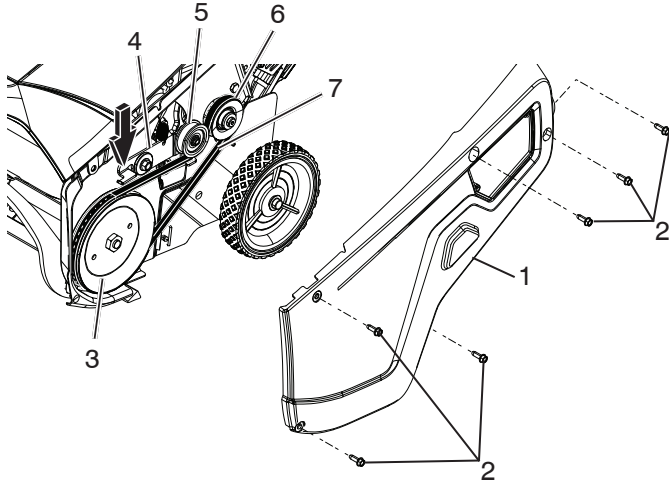


Figure 30

- | | |
|--------------------------------|----------------------------|
| 1. Couvercle côté entraînement | 4. Bras de renvoi |
| 2. Vis | 5. Poulie tendeur |
| 3. Poulie d'entraînement | 6. Poulie du moteur |
| | 7. Courroie d'entraînement |

2. Appuyer sur la partie avant du bras de renvoi pour relâcher la tension de la courroie (Figure 30).
3. Retirer la courroie d'entraînement de la poulie d'entraînement (Figure 30).

4. Poser la nouvelle courroie d'entraînement en l'acheminant de la façon illustrée à la (Figure 31).

REMARQUE: Acheminer la nouvelle poulie d'entraînement en la passant autour de la poulie du moteur, puis de la poulie tendeur, pour terminer autour de la poulie d'entraînement tout en appuyant sur l'avant du bras de renvoi. (Figure 31)

5. Poser le couvercle du côté d'entraînement en remplaçant les vis déposées à l'étape 1.

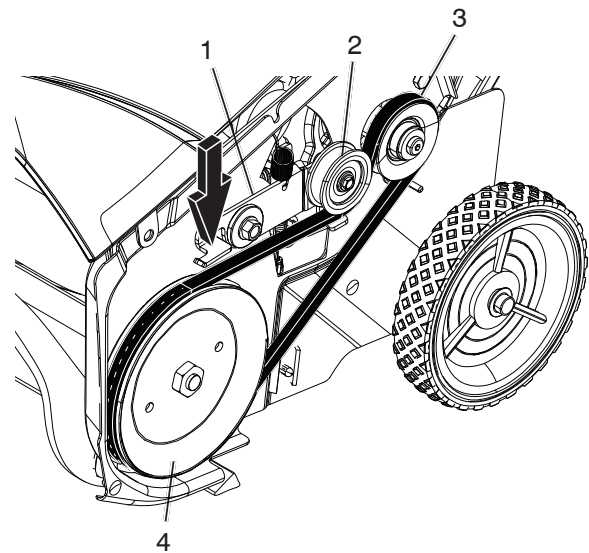


Figure 31

- | |
|--------------------------|
| 1. Bras de renvoi |
| 2. Poulie tendeur |
| 3. Poulie du moteur |
| 4. Poulie d'entraînement |

REMARQUE: S'assurer que la courroie d'entraînement est bien ajustée et qu'elle fonctionne correctement ; se reporter aux rubriques «Vérifier le câble de commande» et «Régler le câble de commande» du chapitre «Entretien» du présent manuel.

Entreposage

Entreposer la souffleuse à neige

Préparer immédiatement votre souffleuse à neige pour le remisage à la fin de la saison ou si celle-ci ne sera pas utilisée pendant 30 jours ou plus.



AVERTISSEMENT Ne jamais entreposer la souffleuse à neige avec du carburant dans le réservoir dans un bâtiment où les vapeurs peuvent entrer en contact avec une flamme nue, une étincelle ou une veilleuse comme celle que l'on trouve sur un chauffe-eau, un sèche-linge ou un appareil au gaz. Laisser le moteur refroidir avant de remiser dans un endroit clos.

SOUFFLEUSE À NEIGE

Lorsque la souffleuse à neige est remise pour un certain temps, bien la nettoyer, ôter toutes saletés, graisse, feuilles, etc. Remiser dans un endroit propre et sec.

1. Nettoyer l'ensemble de la souffleuse à neige après chaque usage.
2. Inspecter et remplacer les courroies le cas échéant (se reporter à la rubrique « Remplacer la courroie d'entraînement » du présent manuel).
3. S'assurer que tous les écrous, les boulons, les vis et les goupilles sont fixés solidement. Inspecter l'état des pièces mobiles en cas de dommage, bris et usure. Procéder au remplacement le cas échéant.

CIRCUIT D'ALIMENTATION

IMPORTANT: Il est important d'empêcher la formation de gomme dans les pièces principales du circuit d'alimentation, comme dans le carburateur, la conduite d'essence ou le réservoir, pendant l'entreposage. D'autre part, les carburants mélangés à l'alcool peuvent attirer l'humidité ce qui cause la séparation et la formation d'acides pendant l'entreposage. Les gaz acidiqes peuvent endommager le circuit d'alimentation d'un moteur pendant son entreposage.

- Vidanger le réservoir à essence, démarrer et laisser tourner le moteur jusqu'à ce que les conduites d'essence et le carburateur soient vides.
- Ne jamais utiliser un produit de nettoyage de moteur ou de carburateur dans le réservoir du carburant. Ceci pourrait entraîner des dommages permanents.
- À la saison suivante, utiliser de l'essence neuve.

REMARQUE: Un stabilisateur d'essence est un autre moyen acceptable pour minimiser la formation de gomme d'essence pendant le remisage. Ajouter un stabilisateur à l'essence dans le réservoir ou dans le contenant de remisage. Toujours respecter les proportions de mélange indiquées sur le contenant du stabilisateur. Faire tourner le moteur au moins 10 minutes après l'ajout du stabilisateur afin de permettre au stabilisateur de parvenir au carburateur. Ne pas vider le réservoir de carburant ni le carburateur si un stabilisateur a été ajouté.

HUILE MOTEUR

Vidanger l'huile (avec le moteur chaud) et remplacer avec de l'huile moteur propre. (Se reporter à la rubrique « Vidanger l'huile moteur » de ce manuel).

CYLINDRE

1. Retirer la bougie d'allumage.
2. Verser une once (29 ml) d'huile dans le cylindre en passant par le trou de la bougie.
3. Tirer lentement la poignée du lanceur à quelques reprises pour répartir l'huile.

AUTRE

- Retirer la clé d'allumage et la ranger dans un endroit sécuritaire.
- Ne pas conserver de carburant pour la prochaine saison.
- Remplacer le bidon d'essence s'il commence à rouiller. La rouille ou la saleté dans l'essence causera des problèmes.
- Si possible, entreposer la souffleuse à neige à l'intérieur et la couvrir pour la protéger contre la poussière et la saleté.
- Couvrir la souffleuse à neige avec une housse de protection adaptée qui ne retient pas l'humidité. Ne pas utiliser du plastique. Le plastique ne respire pas, ce qui permet la formation de condensation et entraînera la rouille de la souffleuse à neige.

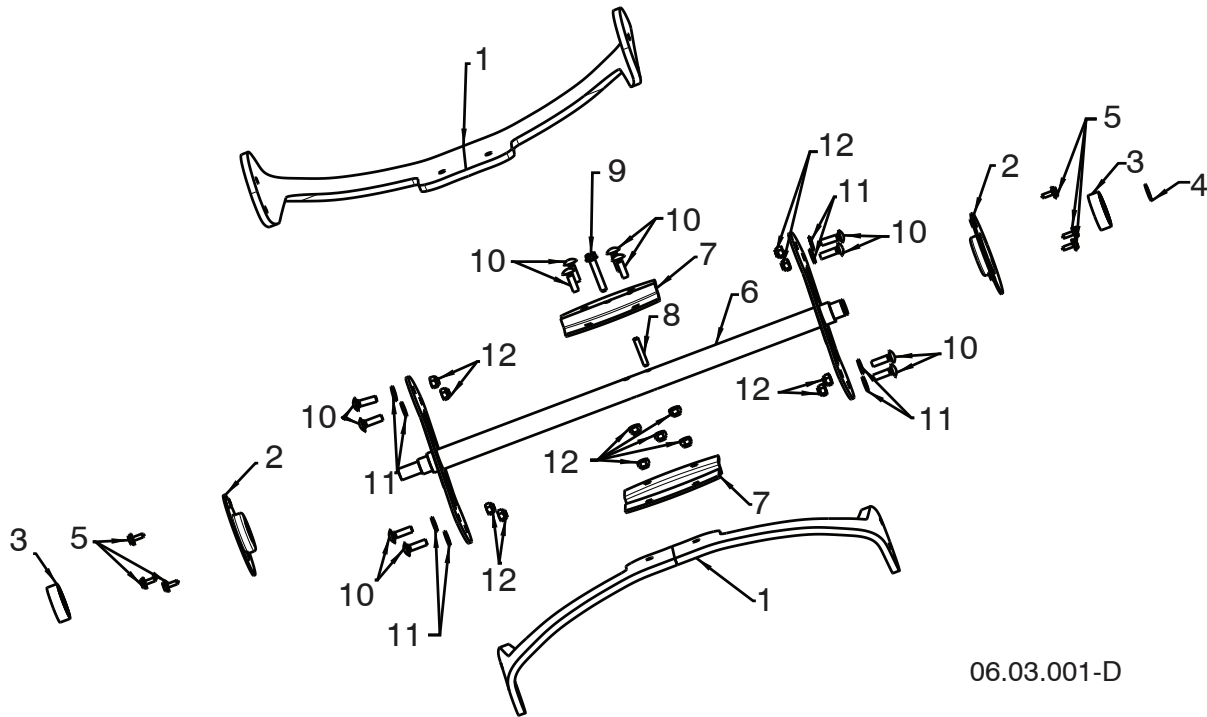
IMPORTANT: Ne jamais couvrir la souffleuse à neige alors que le moteur et l'échappement sont encore chauds.

Dépannage

Se reporter à la section appropriée dans le manuel à moins d'indication contraire du centre de réparations autorisé.

PROBLÈME	CAUSE	CORRECTIF
Ne démarre pas	<ol style="list-style-type: none"> 1. Clé d'allumage non insérée. 2. Panne de carburant. 3. Commande des gaz à la position « ARRÊT » (ou l'interrupteur ON/OFF est à OFF). 4. Commande des gaz en position OFF (fermée). 5. Primer not depressed. 6. Moteur noyé. 7. Fil de bougie déconnecté. 8. Mauvaise bougie d'allumage. 9. Mauvaise bougie d'allumage. 10. Eau dans le carburant.. 11. Conduite d'alimentation carburant bloquée par de la vapeur. 	<ol style="list-style-type: none"> 1. Insérer la clé d'allumage. 2. Remplir le réservoir d'essence fraîche et propre. 3. Placer la commande des gaz en position « FAST » (rapide) (ou l'interrupteur ON/OFF est à ON). 4. Mettre la commande des gaz en position « FULL ». 5. Prime as instructed in the Operation section of this manual. 6. Attendre quelques minutes avant de relancer ; NE PAS amorcer. 7. Connecter le fil à la bougie. 8. Remplacer la bougie d'allumage. 9. Vider le réservoir à carburant ainsi que le carburateur, puis remplir le réservoir d'essence fraîche et propre. 10. Vider le réservoir à carburant ainsi que le carburateur, puis remplir le réservoir d'essence fraîche et propre. 11. S'assurer que toute la conduite d'alimentation en carburant est en dessous de la sortie du réservoir de carburant. La conduite d'alimentation en carburant doit fonctionner en permanence entre le réservoir de carburant et le carburateur.
Perte de puissance	<ol style="list-style-type: none"> 1. Fil de bougie desserré. 2. Projection d'une trop grande quantité de neige. 3. Bouchon du réservoir de carburant couvert de neige ou de glace. 4. Pot d'échappement sale ou bouché. 5. Mauvaise longueur du câble. 6. Silencieux bloqué. 7. Admission d'air du carburateur bloquée. 	<ol style="list-style-type: none"> 1. Rebrancher le câble de la bougie d'allumage. 2. Réduire la vitesse et la largeur de la surface traitée. 3. Retirer la neige et la glace se trouvant sur le bouchon du réservoir de carburant et autour de ce dernier. 4. Nettoyer ou remplacer le pot d'échappement. 5. Ajuster le câble. 6. Éliminer le blocage (vous assurer que le moteur est refroidi). 7. Éliminer le blocage (vous assurer que le moteur est refroidi).
Moteur au ralenti ou tourne dur	<ol style="list-style-type: none"> 1. Commande des gaz en position FULL. 2. Blocage au niveau de la conduite d'alimentation en carburant. 3. Carburant éventé. 4. Eau dans le carburant. 5. Carburateur est dans le besoin de remplacer. 6. Allongement de courroie. 	<ol style="list-style-type: none"> 1. Déplacer la commande des gaz en position OFF (fermée). 2. Nettoyer la conduite d'alimentation en carburant. 3. Vider le réservoir à carburant ainsi que le carburateur, puis remplir le réservoir d'essence fraîche et propre. 4. Vider le réservoir à carburant ainsi que le carburateur, puis remplir le réservoir d'essence fraîche et propre. 5. Contacter un centre de réparations autorisé. 6. Remplacer la courroie trapézoïdale de la tarière.
Vibrations excessives / Contrôler le mouvement	<ol style="list-style-type: none"> 1. Pièces détachées ou goulotte de décharge ou hélice endommagées. 2. Guidons positionnés de manière incorrecte. 3. Les écrous du levier de réglage sont desserrés. 	<ol style="list-style-type: none"> 1. Serrer toutes les pièces de fixation. Remplacer les pièces endommagées. Si la vibration persiste, contacter un centre de réparations autorisé. 2. Vous assurer que les guidons sont verrouillés en place. 3. Serrer les écrous jusqu'à ce que la poignée soit solidement fixée.

PROBLÈME	CAUSE	CORRECTIF
Poignée du lanceur est difficile à tirer	<ol style="list-style-type: none"> 1. La poignée du lanceur est gelée. 2. La corde interfère avec les organes. 	<ol style="list-style-type: none"> 1. Se reporter à « SI LA POIGNÉE DU LANCEUR EST GELÉE ». 2. La corde du lanceur ne doit toucher aucun câble ni aucune durite.
Perte de décharge de neige ou ralentissement de la décharge de neige	<ol style="list-style-type: none"> 1. Courroie usée. 2. La courroie trapézoïdale de la tarière est hors de la poulie. 3. La courroie trapézoïdale de la tarière est usée. 4. Goulotte de décharge bouchée. 5. Tarière ou hélice coincée. 	<ol style="list-style-type: none"> 1. Ajuster le câble d'entraînement selon les procédures d'entretien. 2. Vérifier/Reposer la courroie trapézoïdale de la tarière. 3. Vérifier/Remplacer la courroie trapézoïdale de la tarière. 4. Nettoyer la goulotte. 5. Retirer les débris ou les objets étrangers de la tarière ou de l'hélice.
Lumières éteintes (Si Equipé)	<ol style="list-style-type: none"> 1. Moteur coupé. 2. Desserrer la connexion du câble. 3. LED grillée. 	<ol style="list-style-type: none"> 1. Démarrer le moteur. 2. Vérifier les connexions du câble au niveau du moteur et les deux témoins. 3. Remplacer le module de diode électroluminescente (LED). (Les LED ne sont pas remplaçables séparément).
Mouvement difficile du rotateur	<ol style="list-style-type: none"> 1. Débris dans le mécanisme du rotateur de réception. 2. Câbles déformés ou endommagés. 	<ol style="list-style-type: none"> 1. Nettoyer la partie interne du mécanisme du rotateur de réception. 2. Vous assurer que les câbles ne sont pas déformés. Remplacer les câbles endommagés.



06.03.001-D

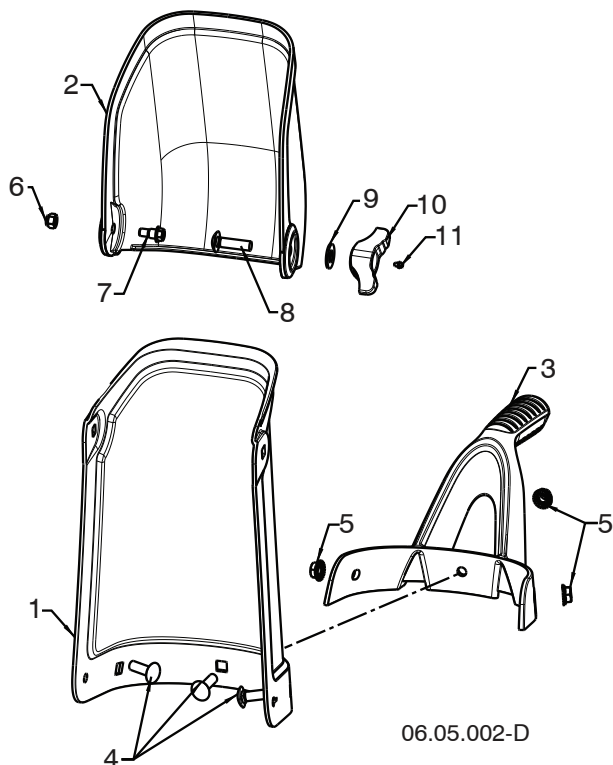
CLÉ N°	NUMÉRO N°	DESCRIPTION
1	532 44 27-59	ADAPTEUR DE LAME
2	580 85 55-01	SOUTIEN
3	532 43 76-22	ROULEMENT
4	812 00 00-28	BAGUE DE FERMETURE
5	817 06 04-08	1/4-20 X 3/8 VIS H
6	532 43 76-17	ENSEMBLE
7	580 85 54-01	PLAQUETTE
8	532 43 76-20	GOUPILLE MÉCANIDUS
9	532 19 96-87	VIS H 1/4-20 X 1.5
10	872 11 04-07	BOULON DE CHARIOT 1/4-20 X 7/8
11	819 09 10-16	RONDELLE PLATE 1/4 SAE
12	532 13 20-04	ÉCROU H 1/4-20 BZO

REMARQUE: Toutes les dimensions des composants sont en pouce. 1 pouce = 25,4 mm

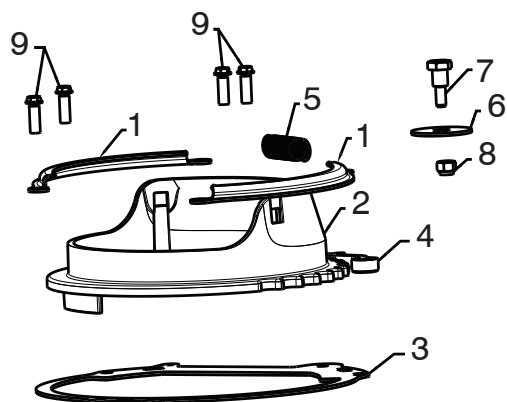
IMPORTANT: Utiliser uniquement des pièces de réparation d'origine.

Le non-respect de cette consigne peut être dangereux, endommager votre souffleuse à neige et annuler la garantie.

PIÈCES DE RÉPARATION SOUFFLEUSE À NEIGE - - MODÈLE NO PR100 (96182001500) GOULOTTE



CLÉ N°	NUMÉRO N°	DESCRIPTION
1	532 43 76-55	GLISSIÈRE
2	532 43 76-43	DÉFLECTEUR DE LA GLISSIÈRE
3	532 43 76-42	GUIDON
4	532 43 73-18	BOULON 5/16-18 UNC X 1
5	873 97 05-00	ÉCROU FREIN H AVEC INSERT 5/16-18 UNC PL
6	532 13 20-04	ÉCROU FREIN 1/4 – 20
7	532 44 46-82	BOULON ¼-20 HEX HEAD
8	872 11 05-10	BOULON 5/16-18 X 1-1/4
9	819 13 13-16	RONDELLE 13/32 X 13/16 X 16 JA
10	532 19 19-38	BOUTON
11	532 07 16-73	PONGUER A CHAPEAUX



CLÉ N°	NUMÉRO N°	DESCRIPTION
1	532 43 48-77	ARRÊTOIR DE LA CHUTE
2	580 85 65-01	BASE DE CHUTE
3	580 85 56-01	PLAQUE DE BASE CHUTE
4	532 43 48-78	CLIQUET
5	532 43 48-79	RESSORT
6	819 13 24-16	RONDELLE 13/32 X 1.25
7	532 08 13-28	BOULON 1/4-20 X .94
8	532 13 20-04	NUT 1/4-20 HEX
9	817 41 13-12	BOULON 13-16 X .75

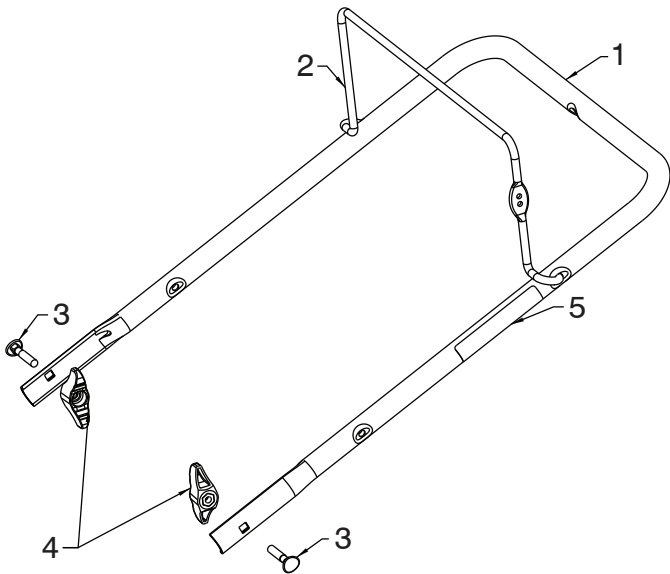
06.04.009-C

REMARQUE: Toutes les dimensions des composants sont en pouce. 1 pouce = 25,4 mm

IMPORTANT: Utiliser uniquement des pièces de réparation d'origine.

Le non-respect de cette consigne peut être dangereux, endommager votre souffleuse à neige et annuler la garantie.

**PIÈCES DE RÉPARATION SOUFFLEUSE À NEIGE - - MODÈLE NO PR100 (96182001500)
POIGNÉE**



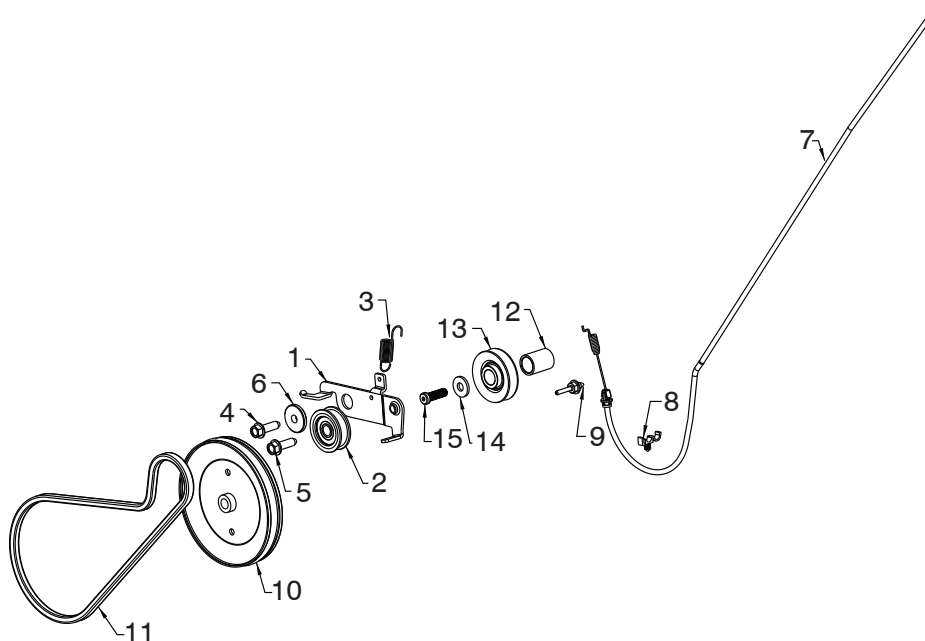
06.07.001-A

CLÉ N°	NUMÉRO N°	DESCRIPTION
1	580 85 70-01	GUIDON SUPÉRIEUR
2	580 86 04-01	PEINTURE
3	532 19 15-74	BOULON
4	532 19 19-38	BOUTON
5	532 43 75-06	DÉCALCOMANIE DE COMMANDE DE TARIÈRE

REMARQUE: Toutes les dimensions des composants sont en pouce. 1 pouce = 25,4 mm

IMPORTANT: Utiliser uniquement des pièces de réparation d'origine.

Le non-respect de cette consigne peut être dangereux, endommager votre souffleuse à neige et annuler la garantie.



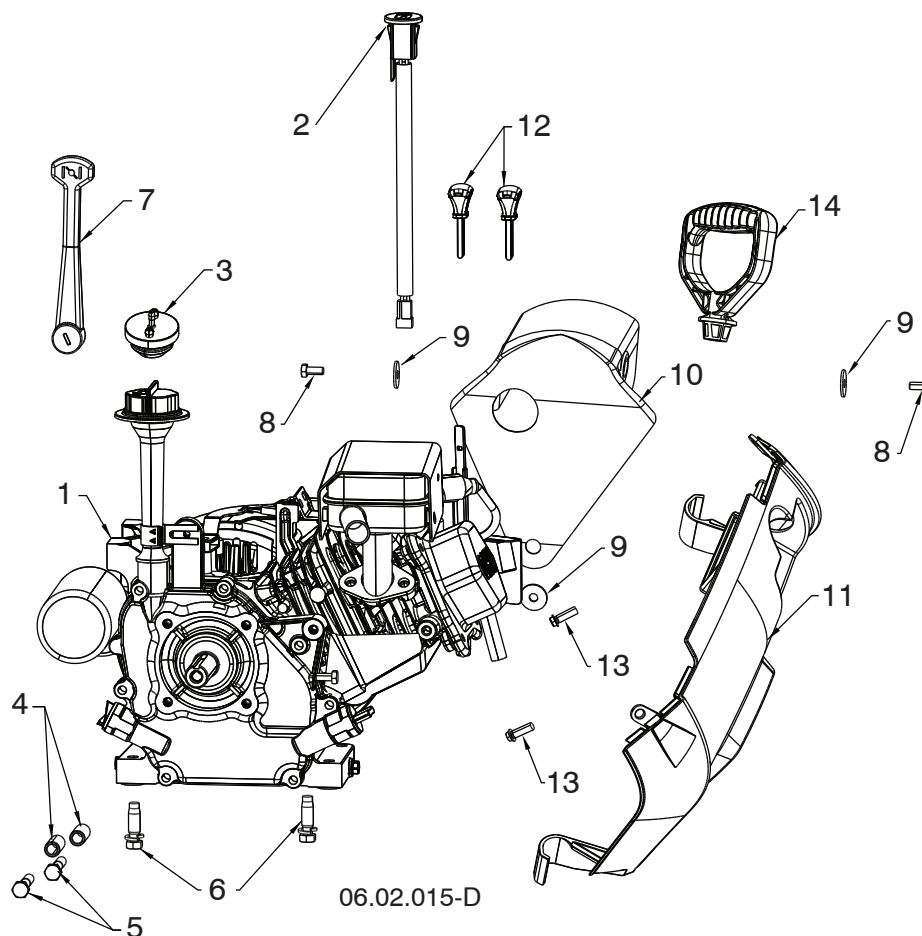
06.01.001-A

CLÉ N ^o	NUMÉRO N ^o	DESCRIPTION
1	580 85 53-01	BRAS DU GALET-TENDEUR
2	532 16 60-43	POULIE DE TENSION
3	532 43 48-59	RESSORT DE RAPPEL
4	817 06 06-20	VIS 3/8-16 X 1-1/4 (COUPLE DE ROTATION 13-18 FT-LBS)
5	817 06 06-20	VIS 3/8-16 X 1-1/4 (COUPLE DE ROTATION 22-27 FT-LBS)
6	532 19 90-92	ENTRETOISE
7	532 44 30-18	ENSEMBLE DE CÂBLE D'EMBRAYEAGE
8	532 14 50-06	PINCE
9	532 43 45-02	GUIDE COURROIE
10	532 43 53-83	POULIE
11	532 43 72-61	COURROIE
12	532 43 48-60	ENTRETOISE
13	532 42 64-90	POULIE
14	532 85 10-74	RONDELLE
15	532 43 08-17	VIS 3/8-24 X 1/25

REMARQUE: Toutes les dimensions des composants sont en pouce. 1 pouce = 25,4 mm

IMPORTANT: Utiliser uniquement des pièces de réparation d'origine.

Le non-respect de cette consigne peut être dangereux, endommager votre souffleuse à neige et annuler la garantie.



CLÉ N°	NUMÉRO N°	DESCRIPTION
1	580 81 07-01	MOTEUR 136 LCT SSST PW3HK1840018P
2	580 85 02-01	CONTACTEUR D'ALLUMAGE SSST
3	532 43 62-35	POIRE
4	532 43 48-57	ENTRETOISE
5	532 43 55-78	VIS 5/16-24 X 2.00
6	532 15 04-06	BOULON 3/8-16
7	532 43 48-74	COMMANDE DU STARTER
8	581 56 26-01	BOULON M6 X 1 X 14M
9	819 09 14-16	RONDELLE 9/32 X 7/8 X 16 JA
10	532 43 76-19	COUVERTURE DU SILENCIEUX 136CC LCT
11	532 43 76-58	COUVERTURE
12	532 44 30-59	CLÉ (2)
13	817 41 13-12	VIS #13 X .75
14	532 43 62-76	GUIDON

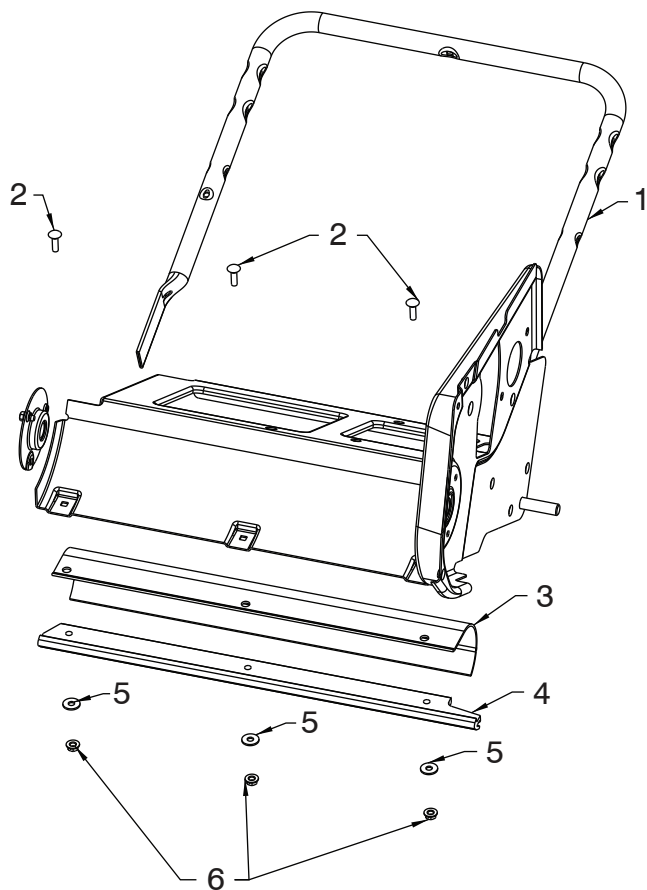
REMARQUE: Toutes les dimensions des composants sont en pouce. 1 pouce = 25,4 mm

IMPORTANT: Utiliser uniquement des pièces de réparation d'origine.

Le non-respect de cette consigne peut être dangereux, endommager votre souffeuse à neige et annuler la garantie.

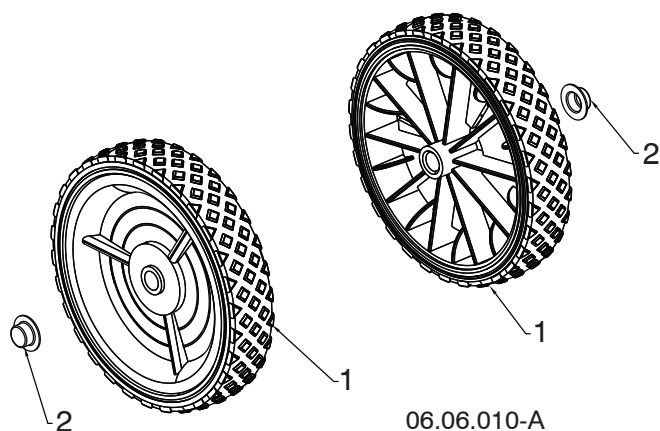
PIÈCES DE RÉPARATION
CADRE

SOUFFLEUSE À NEIGE - - MODÈLE NO PR100 (96182001500)



06.00.001-B

CLÉ N°	NUMÉRO N°	DESCRIPTION
1	532 44 43-87	CÔTÉ DU CHÂSSIS
2	872 11 04-07	BOULON 1/4-20 X 7/8
3	532 44 21-46	COUVERTURE DE RACLEUR
4	580 50 26-01	BARRE DE RACLEUR
5	819 09 12-16	RONDELLE 9/32 X 3/4 X 16 JA
6	532 19 17-30	ÉCROU 1/4-20



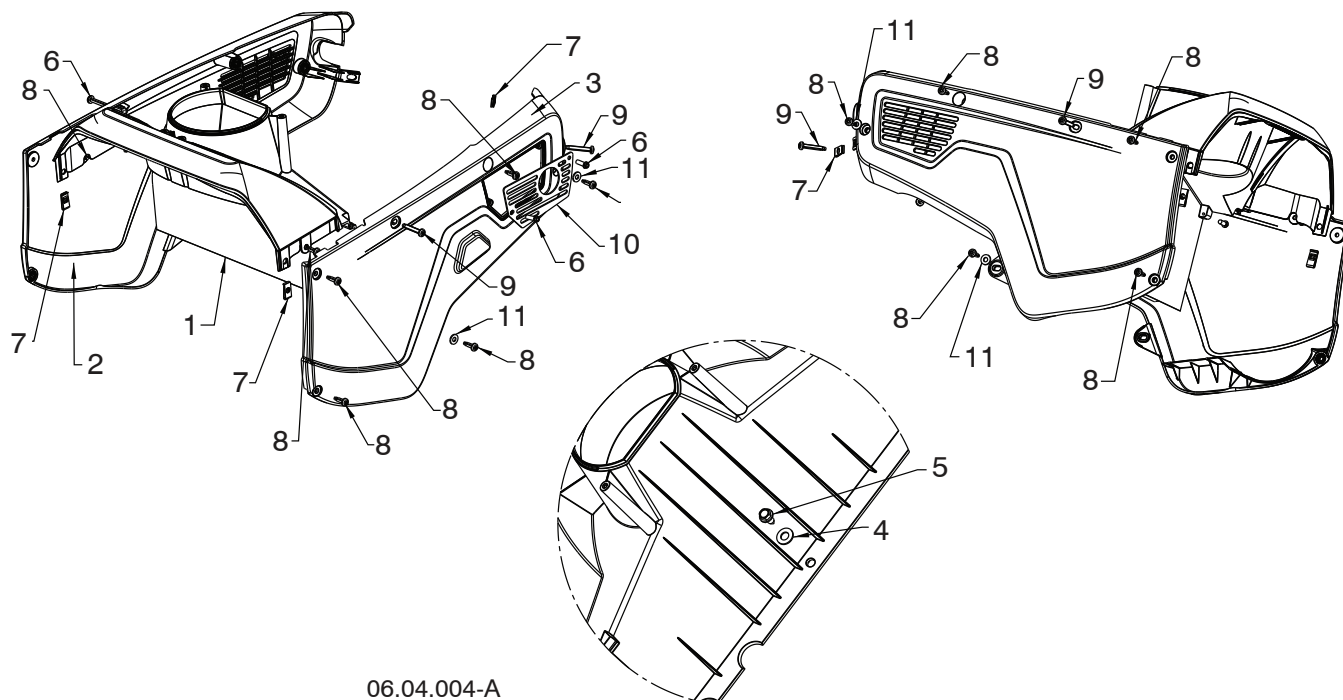
06.06.010-A

CLÉ N°	NUMÉRO N°	DESCRIPTION
1	581 02 36-05	ROUE 7 X 1.5 DMD
2	532 43 54-17	FREIN ECROU

REMARQUE: Toutes les dimensions des composants sont en pouce. 1 pouce = 25,4 mm

IMPORTANT: Utiliser uniquement des pièces de réparation d'origine.

Le non-respect de cette consigne peut être dangereux, endommager votre souffleuse à neige et annuler la garantie.



06.04.004-A

CLÉ N ^o	NUMÉRO N ^o	DESCRIPTION
1	532 44 39-21	PLÉNUM
2	532 44 39-24	COUVERTURE SUR LECTEUR NON CÔTÉ
3	532 44 39-25	COUVERTURE SUR DISQUE CÔTÉ
4	819 13 13-16	RONDELLE 13/32 X 13/16 16 JA
5	532 42 88-67	BOULON 5/16-18 X .75
6	817 41 13-12	BOULON 13-16 X .75
7	532 19 66-88	PINCE
8	532 44 22-50	VIS 1/4-20 X .75
9	532 44 42-62	VIS 1/4-20 X 1.5
10	580 83 35-01	ÉCHAPPEMENT PLAQUE
11	819 09 10-16	RONDELLE 1/4

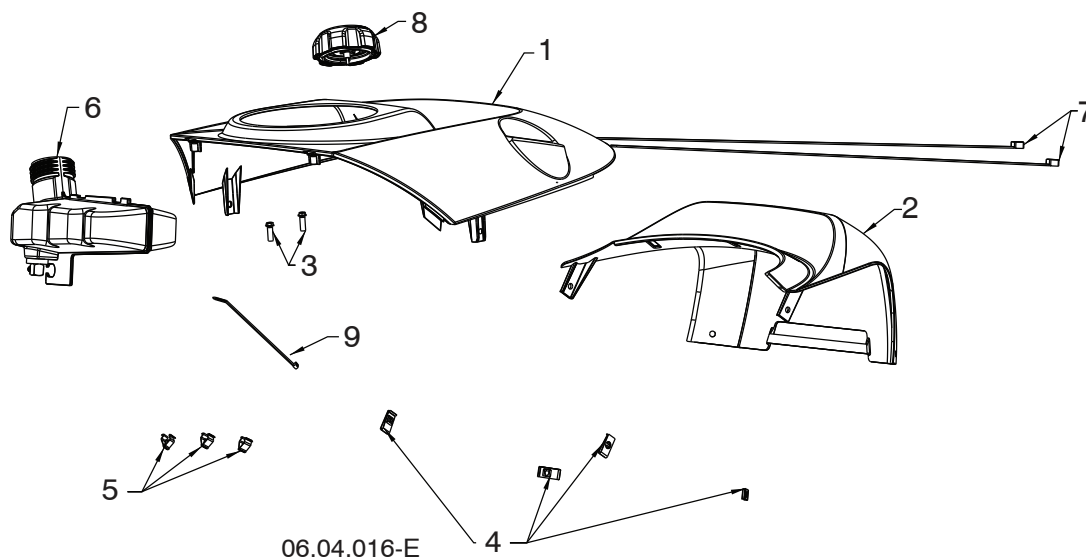
REMARQUE: Toutes les dimensions des composants sont en pouce. 1 pouce = 25,4 mm

IMPORTANT: Utiliser uniquement des pièces de réparation d'origine.

Le non-respect de cette consigne peut être dangereux, endommager votre souffleuse à neige et annuler la garantie.

PIÈCES DE RÉPARATION
ENVELOPPE

SOUFFLEUSE À NEIGE - - MODÈLE NO PR100 (96182001500)



CLÉ N°	NUMÉRO N°	DESCRIPTION
1	532 44 39-46	HAUT DE LA PAGE COUVERTURE
2	532 43 76-48	COUVERTURE SUPÉRIEURE ARRIÈRE
3	817 41 13-12	BOULON 13-16 X .75
4	532 19 66-88	PINCE FILETÉ
5	532 43 48-68	PINCE
6	580 98 26-01	ENSEMBLE DU RÉSERVOIR DE CARBURANT
7	532 14 68-48	SERRE-CÂBLE
8	581 07 55-01	BOUCHON DU RÉSERVOIR D'ESSENCE / GARNITURE
9	532 44 46-49	SERRE-CÂBLE

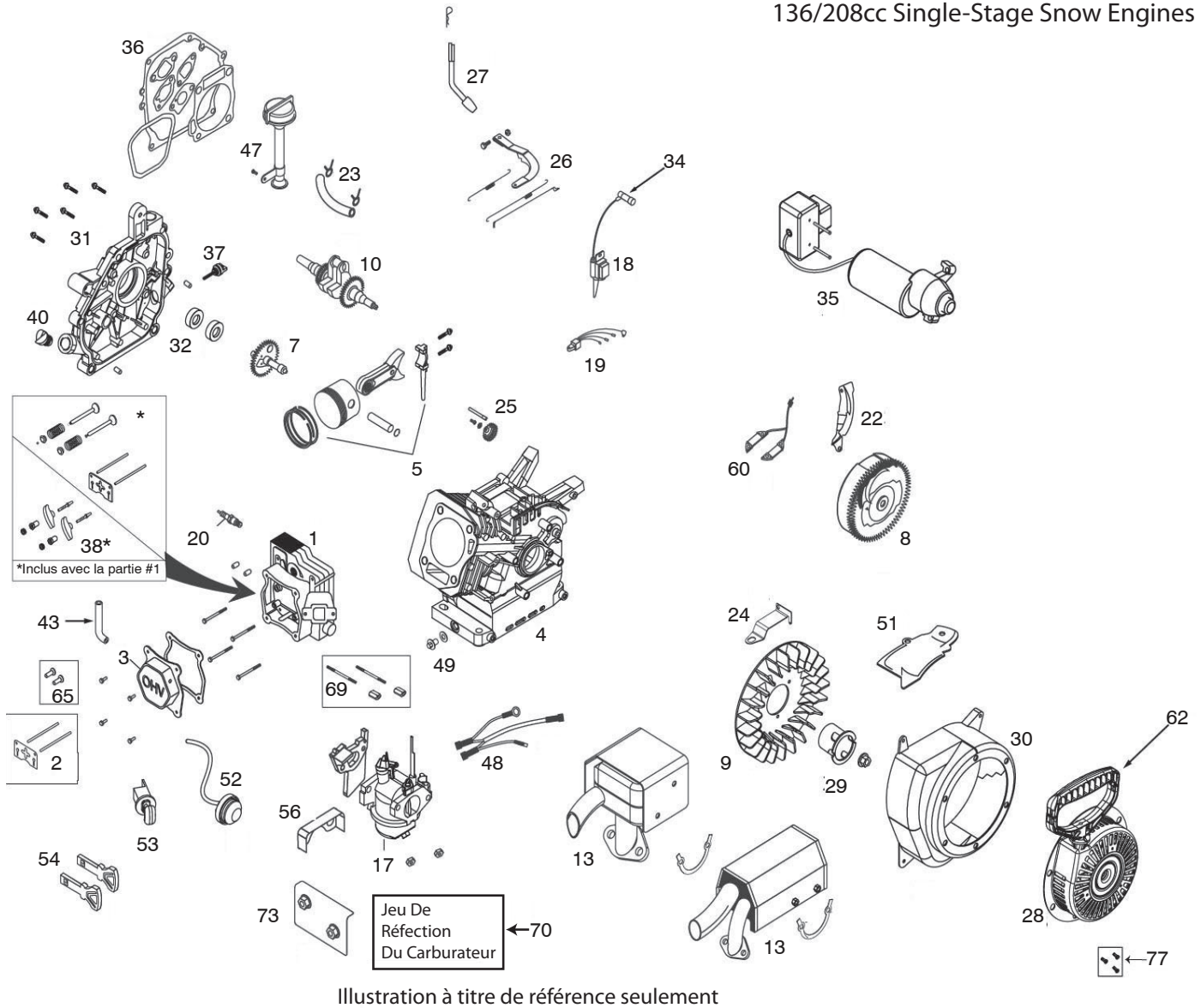
REMARQUE: Toutes les dimensions des composants sont en pouce. 1 pouce = 25,4 mm

IMPORTANT: Utiliser uniquement des pièces de réparation d'origine.

Le non-respect de cette consigne peut être dangereux, endommager votre souffleuse à neige et annuler la garantie.

PIÈCES DE RECHANGE
MOTEUR

SOUFFLEUSE À NEIGE - MODÈLE PR100 (96182001500)
COMPLET MOTEUR-580810701



REMARQUE: Toutes les dimensions des composants sont en pouce. 1 pouce = 25,4 mm

IMPORTANT: Utiliser uniquement des pièces de réparation d'origine.

Le non-respect de cette consigne peut être dangereux, endommager votre souffleuse à neige et annuler la garantie.

PIÈCES DE RECHANGE
MOTEUR

SOUFFLEUSE À NEIGE - MODÈLE PR100 (96182001500)
COMPLET MOTEUR-580810701

NO. DE RÉF.	NO. DE PIÈCE	DESCRIPTION
1	532 43 80-06	Ensemble De Cylindre (136cc)
2	532 43 80-11	Jeu De Barre De Liaison (136cc)
3	580 94 15-01	Couverture De Soupape (136cc)
4	532 43 80-12	Ensemble De Cylindre (136cc)
5	532 43 80-07	Ensemble De Piston (136cc)
7	532 43 80-05	Arbre À Cames (136cc)
8	532 43 79-99	Volant Du Moteur(136cc)
9	532 43 80-01	Ventilateur De Volant (136cc)
10	532 43 80-09	Vilebrequin (#18)
13	532 43 79-89	Ensemble De Silencieux
17	532 43 79-90	Ensemble De Carburateur
18	580 94 13-01	Bobine D'allumage (1-pc allumage - 2-connecteur de fil)
20	532 42 49-39	Bougie D'allumage
22	532 43 79-96	Protecteur De Volant Du Moteur(136cc)
23	532 43 80-14	Conduite D'essence
24	532 42 92-59	Support
25	532 42 96-46	D'engrenage Du Régulateur Ensemble
26	532 43 80-03	Ensemble de bras (136cc)
27	532 43 80-04	Bon Arbre (136cc)
28	532 43 69-67	Ensemble De Démarreur A Recul
29	532 43 79-91	Démarreur Godet (136cc)
30	532 43 79-93	Souffleur de Boîtier
31	580 94 12-01	Couvercle du carter Ensemble (avec vis de remplissage d'huile du tube)
31	581 36 35-01	Couvercle du carter (avec presse-dans-huile tube de remplissage)(No. De Série >1240H0519257)
32	532 43 80-08	Jeu De Sceau (136cc)
34	532 43 69-66	Une botte de bougie d'allumage
36	532 43 80-13	Trousse De Joint (136cc)
37	532 42 09-61	Jauge De Niveau D'huile
38	532 43 80-10	Jeu De Culbuteur(136cc)
40	532 42 95-98	Non Le Bouchon Détachable
43	580 35 34-01	Tube de reniflard (136/208cc)
47	532 44 40-91	Ensemble D'huile Hant (Filetée)
47	581 00 72-01	Ensemble D'huile Hant (Enfoncer) (No. De Série >1240H0519257)
48	580 94 14-01	Harnais (2-Connecteur à fiches)
49	532 43 54-95	Jeu de Bouchon d'huile
51	580 94 11-01	Protecteur
52	532 43 71-23	Ensemble De Amorce De Carburant Ampoule Avec Tuyau
53	532 42 49-54	Ensemble De Changement Clé
54	532 44 30-59	Clé
56	532 42 92-60	Protecteur
62	532 42 49-68	Poignee Demarrage A Recul
69	532 42 49-51	Goujons de carburateur
70	580 35 36-01	Kit de réparation carburateur (136/208/254cc)
73	532 44 42-75	Protecteur
77	532 43 26-88	Kit Boulon Recul

REMARQUE: Toutes les dimensions des composants sont en pouce. 1 pouce = 25,4 mm

IMPORTANT: Utiliser uniquement des pièces de réparation d'origine.

Le non-respect de cette consigne peut être dangereux, endommager votre souffleuse à neige et annuler la garantie.

GARANTIE LIMITÉE

Le Fabricant garantit à l'acheteur initial que son produit tel que manufacturé est libre de défaut de matière et d'ouvrage. Pendant deux (2) ans, à compter de la date d'achat de la part de l'acheteur initial, nous réparerons ou remplacerons à notre choix, gratuitement, toute pièce, sur laquelle nous estimerons qu'il existe un défaut de matière ou d'ouvrage. Cette garantie est soumise aux limitations et exceptions suivantes:

1. Cette garantie ne couvre pas le moteur, la transmission/composants, la batterie (sauf comme mentionnée ci-dessous) ou les pièces détachées. Veuillez-vous consulter la garantie applicable du fabricant des articles.
2. L'acheteur est responsable des frais du transport de tous les équipements actionnés par moteur ou les accessoires. L'acheteur est responsable des frais aussi du transport de toutes les pièces (couvertes par cette garantie) soumis pour le remplacement à moins que manufacturé demande à l'acheteur de renvoyer les pièces.
3. Garantie de la batterie: Pour les produits équipés d'une batterie, nous remplacerons, gratuitement, toute batterie estimée défectueuse pendant les quatre-vingt-dix (90) jours initiaux suivant l'achat. Après quatre-vingt-dix (90) jours, nous échangerons la batterie, le coût pour vous être 1/12 du prix d'une nouvelle batterie pour chaque mois complet à compter de la date d'achat initiale. La batterie doit être entretenue selon les directives données dans la documentation appropriée.
4. La période de garantie applicable aux produits proposés en location ou à des fins commerciales est limitée à quatre-vingt-dix (90) jours à compter de la date d'achat initiale.
5. Cette garantie ne s'applique qu'aux produits correctement montés, réglés, utilisés et entretenus conformément aux instructions données dans la documentation appropriée. Cette garantie ne s'applique pas aux produits qui ont été modifiés, utilisés incorrectement, abusés, mal assemblés, mal installés ou avariés lors de la livraison ou usage normal.
6. Exclusions: Les courroies, les lames, les adaptateurs de lame, l'usage normal, les réglages normaux, la visserie standard, et l'entretien normal sont exclus de cette garantie.
7. En cas de problème entrant dans le cadre de cette garantie, veuillez-vous retourner votre machine à un concessionnaire autorisé.

Si vous auriez aucune question sans réponse concernant cette garantie, s'il vous plaît contactez:

HOP
Outdoor Products Customer Service Dept.
9335 Harris Corners Parkway
Charlotte, NC 28269 USA

Au Canada:
HOP
5855 Terry Fox Way
Mississauga, Ontario
L5V 3E4

en nous donnant le numéro du modèle, le numéro de série, la date d'achat de votre machine ainsi que l'adresse du concessionnaire autorisé chez qui vous l'avez acheté.

CETTE GARANTIE NE COUVRE AUCUN DOMMAGE INCIDENTEL OU CONSÉQUENT ET TOUTE GARANTIE IMPLICITE EST LIMITÉE AUX MÊMES PÉRIODES PRÉCISÉES ICI POUR LES GARANTIES EXPLICITES DU FABRICANT. Certaines localités ne permettent aucune restriction des dommages conséquents ou de la durée d'une garantie implicite et; par conséquent, il se pourrait que les restrictions et exclusions énoncées ci-dessus ne s'appliquent pas à vous. Cette garantie vous donne droits légaux spécifiques et vous pouvez aussi jouir d'autres droits d'un endroit à un autre.

Cette garantie est une garantie limitée comme définie dans la loi Magnuson-Moss Act de 1975.

Poulan PRO