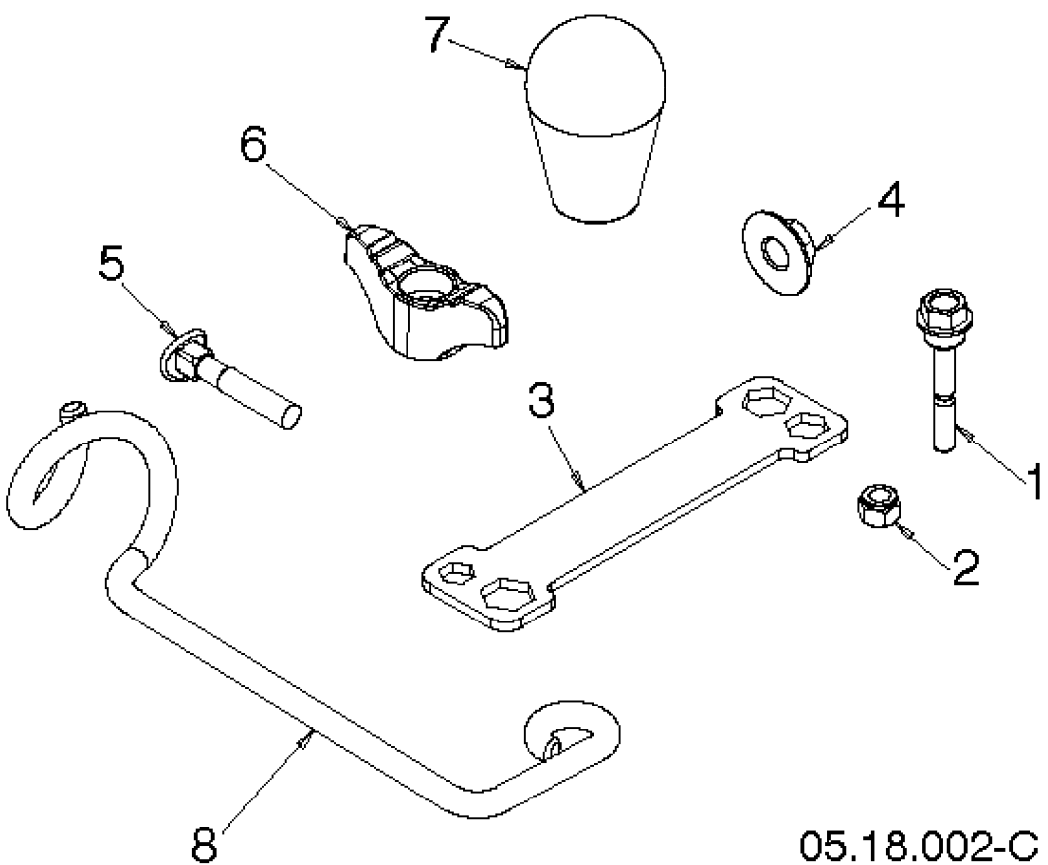
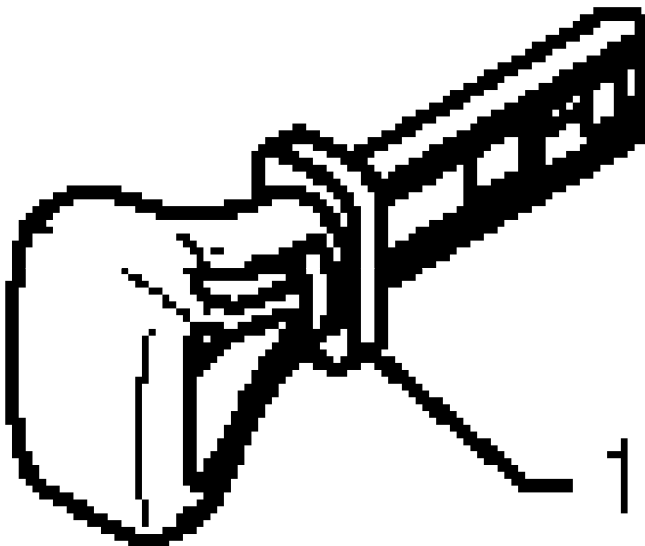


PR242 - 96198006400



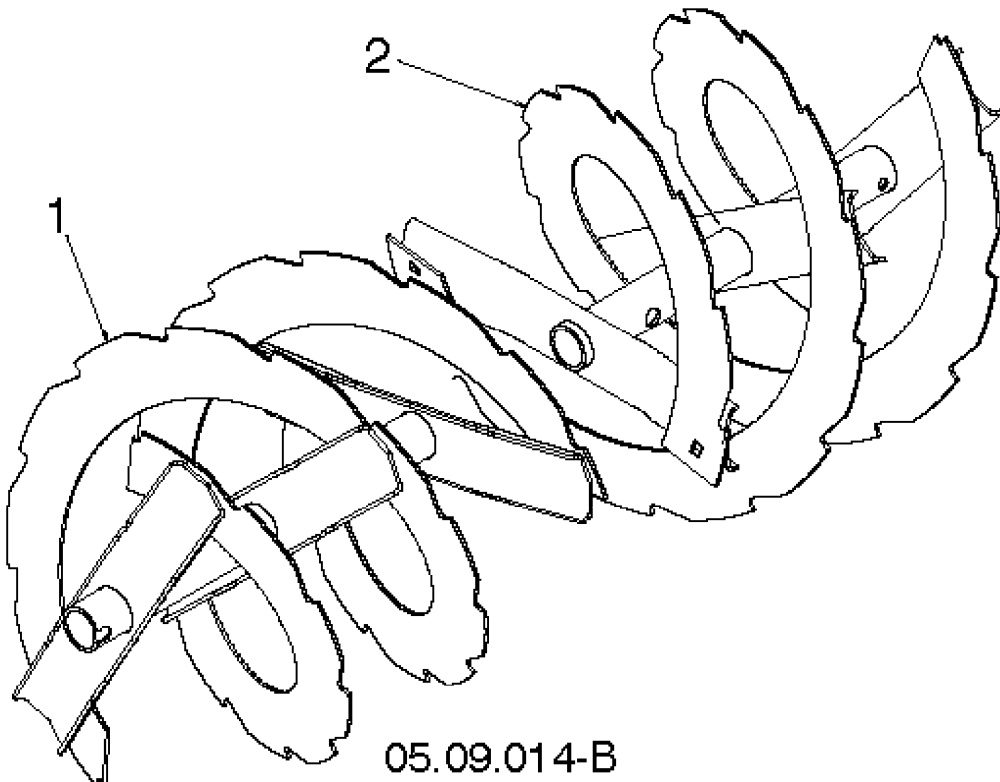
05.18.002-C

Ref #	Part Number	Qty	Description
1	585511801	1	
2	873800400	1	LOCKNUT.NYLOC.1/4-20
3	532429112	1	WRENCH.SNOWTHROWER.ZINC.YZ
4	585691001	1	
5	587359001	1	
6	532191938	1	
7	581697501	1	KNOB.SOFT.TOUCH.SLOTTED.428
8	581897301	1	
	587421002	1	

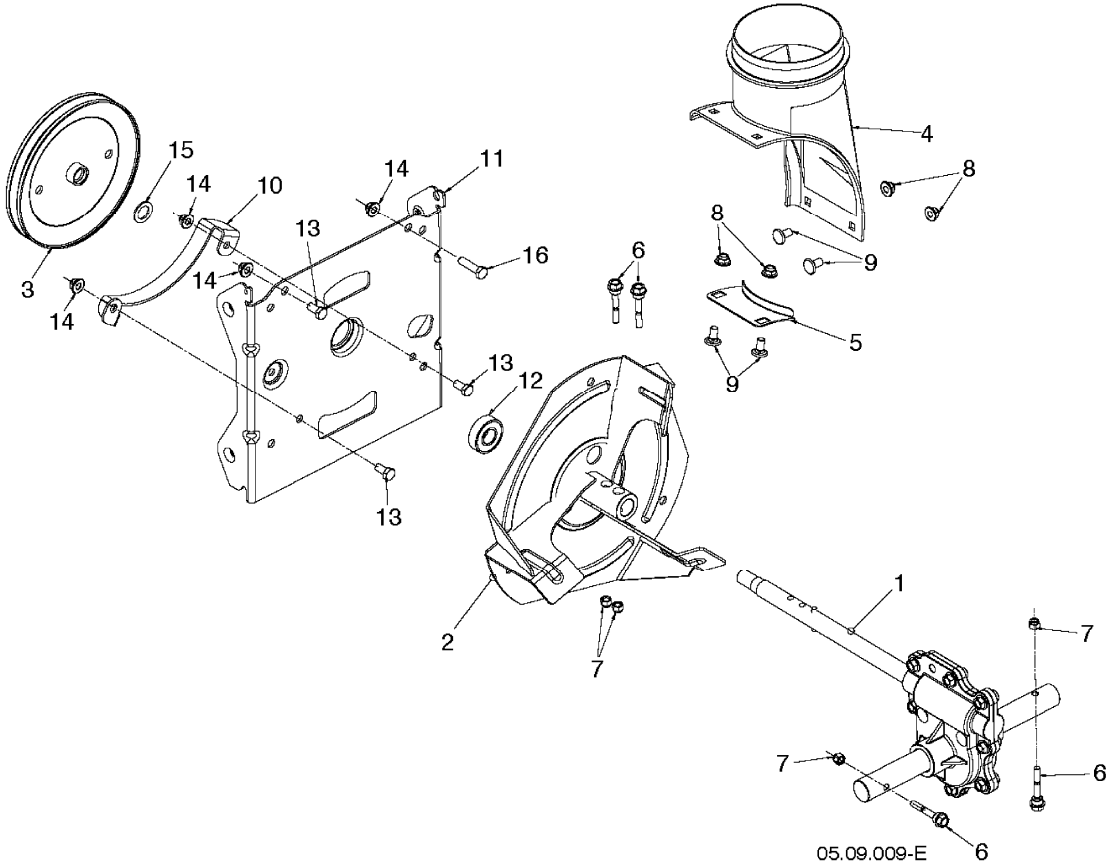


01.14.009-B

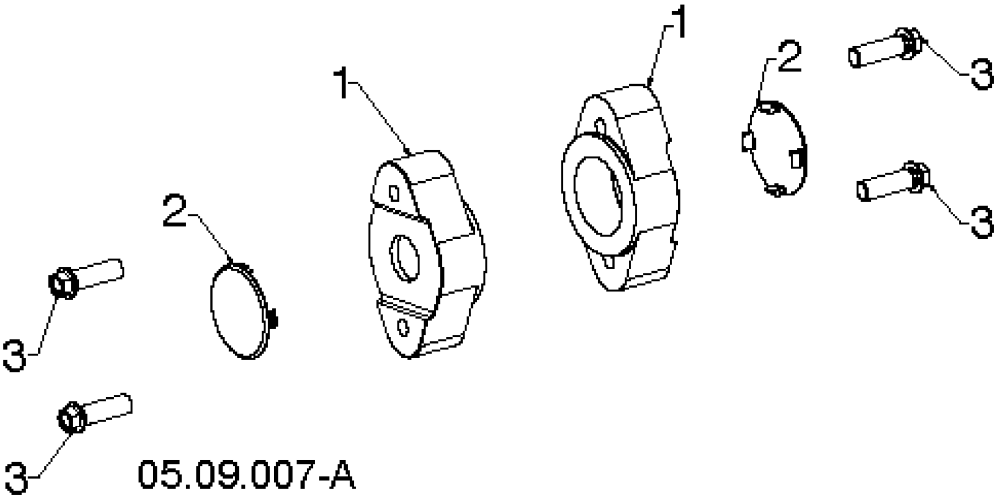
Ref #	Part Number	Qty	Description
1	532443059	1	KEY SET(2 KEYS) SKSN0407.1



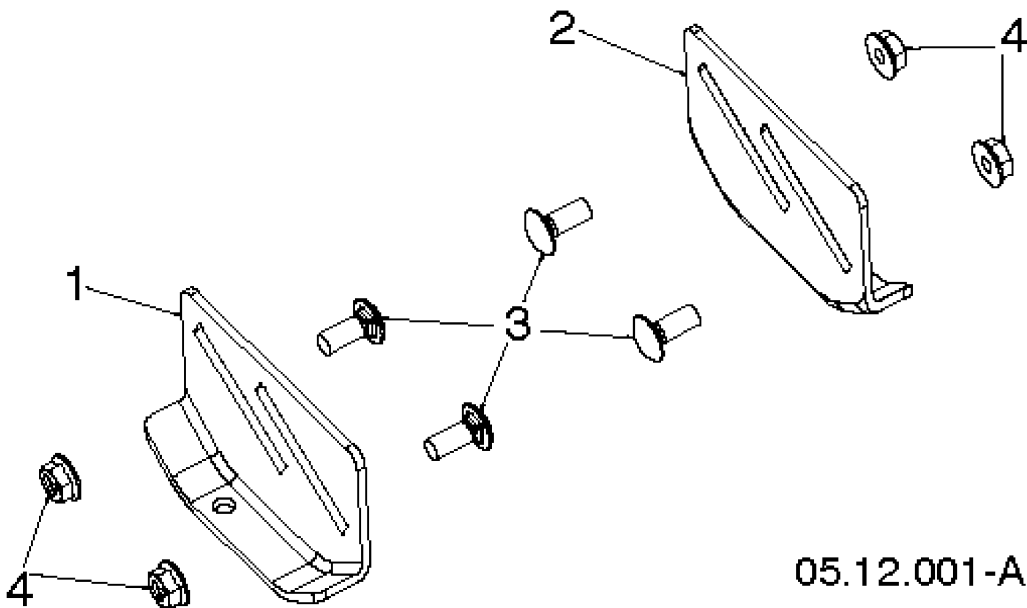
Ref #	Part Number	Qty	Description
1	532421072	1	AUGER.WELD.RIB.BUT.LH.24.BLACK
2	532421073	1	AUGER.WELD.RIB.BUT.RH.BLACK



Ref #	Part Number	Qty	Description
1	586714801	1	
2	586607202	1	
3	586715201	1	
4	585056901	1	
5	532184095	1	
6	585511801	1	
7	873800400	1	LOCKNUT.NYLOC.1/4-20
8	585691301	1	
9	585691201	1	
10	581632002	1	
11	581592502	1	
12	532198791	1	
13	532163183	1	BOLT, HEX HEAD 5/16-18
14	532427942	1	NUTNYLOK.FLRANGE.5/16-18
15	587392701	1	
16	874520520	1	BOLT.5/16-18X1-1/4 FULL THD

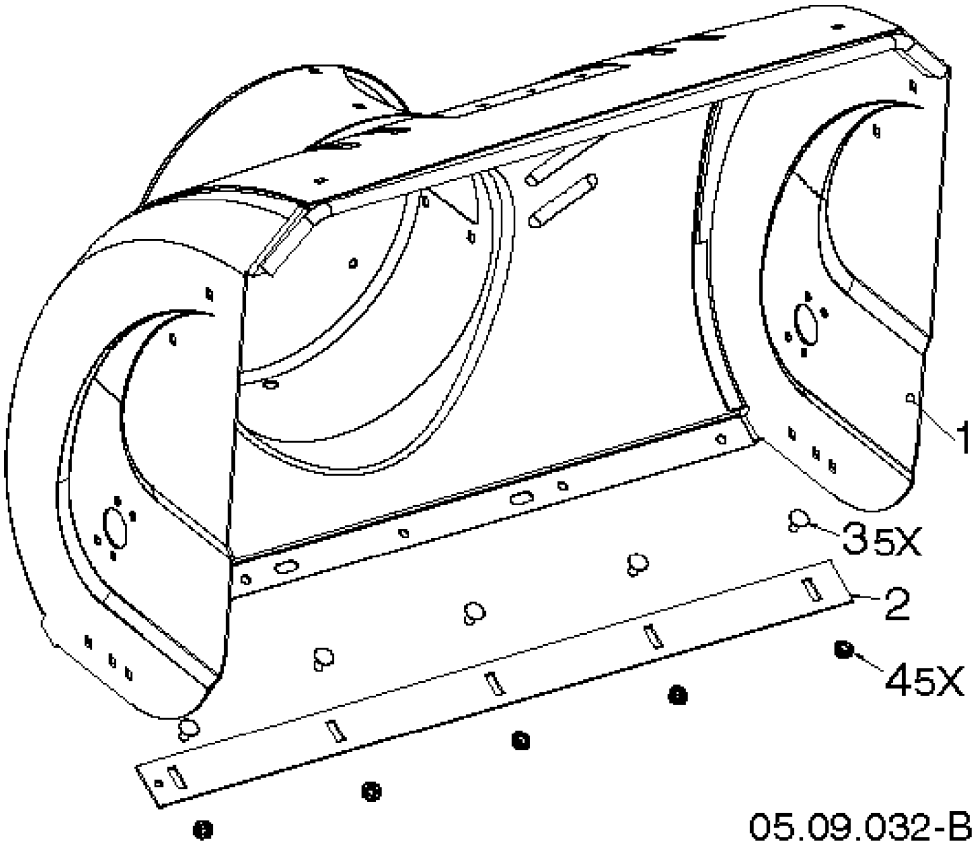


Ref #	Part Number	Qty	Description
1	532420478	1	BEARING.AUGER.SHAFT
2	532411939	1	PLUG.BEARING.HOLE.HSG
3	584299401	1	SCREW.HI-LO. 5/16 X 1.00



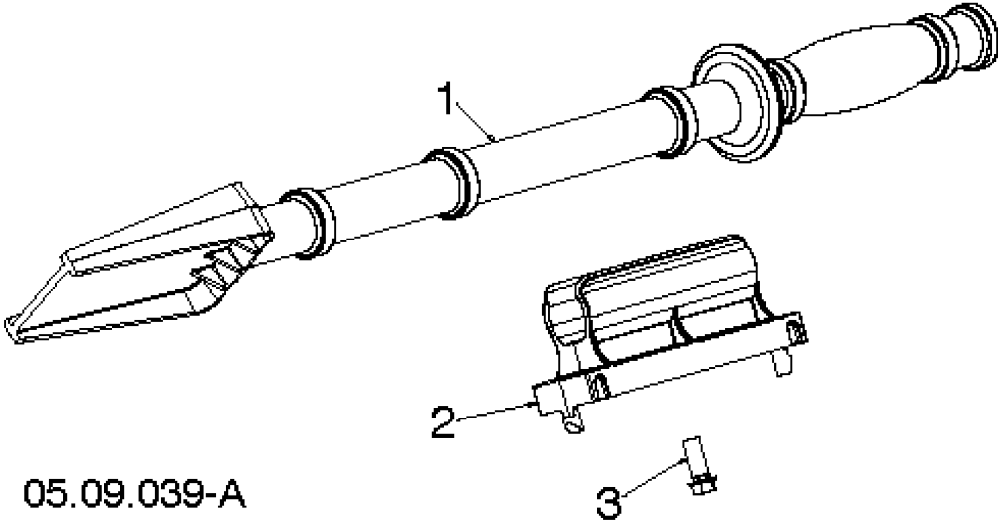
05.12.001-A

Ref #	Part Number	Qty	Description
1	532184093	1	
2	532184094	1	SKID PLATE RH
3	585691701	1	
4	585691301	1	

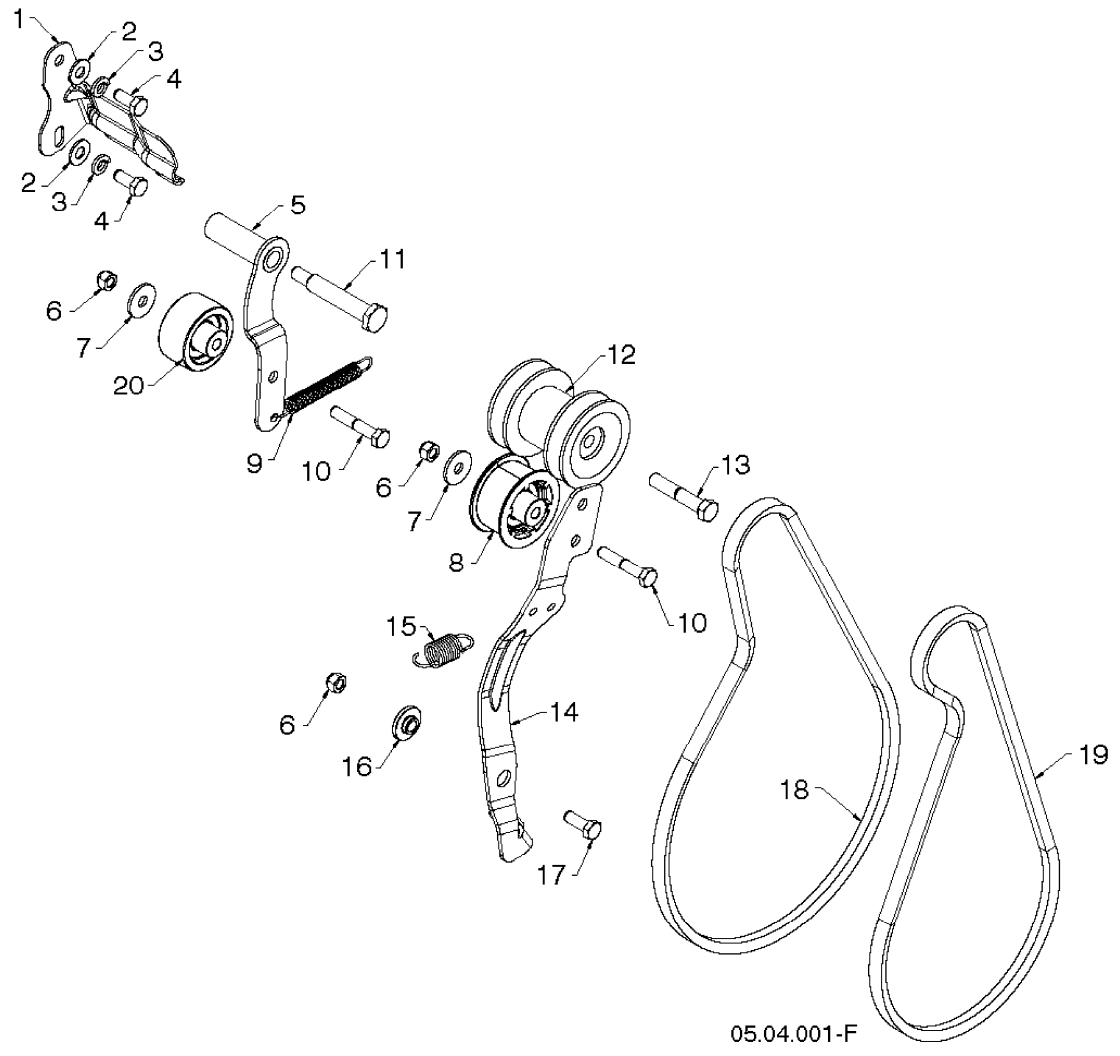


05.09.032-B

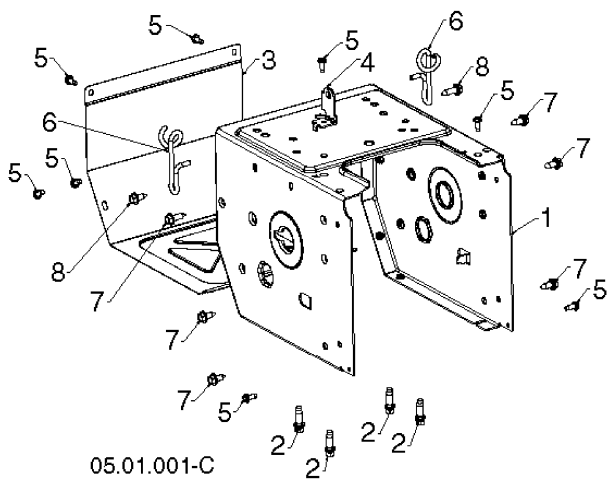
Ref #	Part Number	Qty	Description
1	581637302	1	
2	532407825	1	
3	872270505	1	
4	532155377	1	NUT.FLANGE.5/16



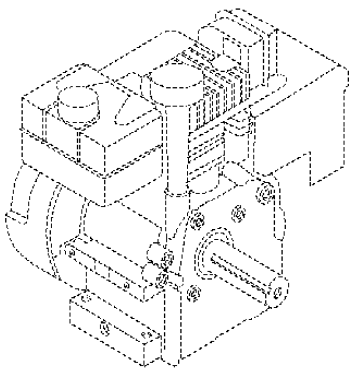
Ref #	Part Number	Qty	Description
1	532192199	1	CLEAN OUT TOOL
2	532405400	1	CLIP.CLEANOUT.TOOL
3	532194189	1	SCREW.HWH.13-16-5.8.BZP



Ref #	Part Number	Qty	Description
1	581623702	1	
2	819111216	1	WASHER M
3	810040500	1	LOCKWASHER
4	874610512	1	
5	581338203	1	
6	873800500	1	NUT.71038.31-18.HEX.NYLOCK
7	532059289	1	STEEL WASHER
8	581141401	1	
9	580753001	1	
10	874760528	1	BOLT, HEX 5/16-18X1-3/4
11	581413801	1	
12	587462901	1	
13	532179617	1	BOLT.BLADE
14	580831104	1	
15	587031201	1	
16	532175331	1	BUSHING, IDLER PIVOT
17	874760514	1	BOLT
18	584216101	1	
19	581832401	1	
20	586880201	1	

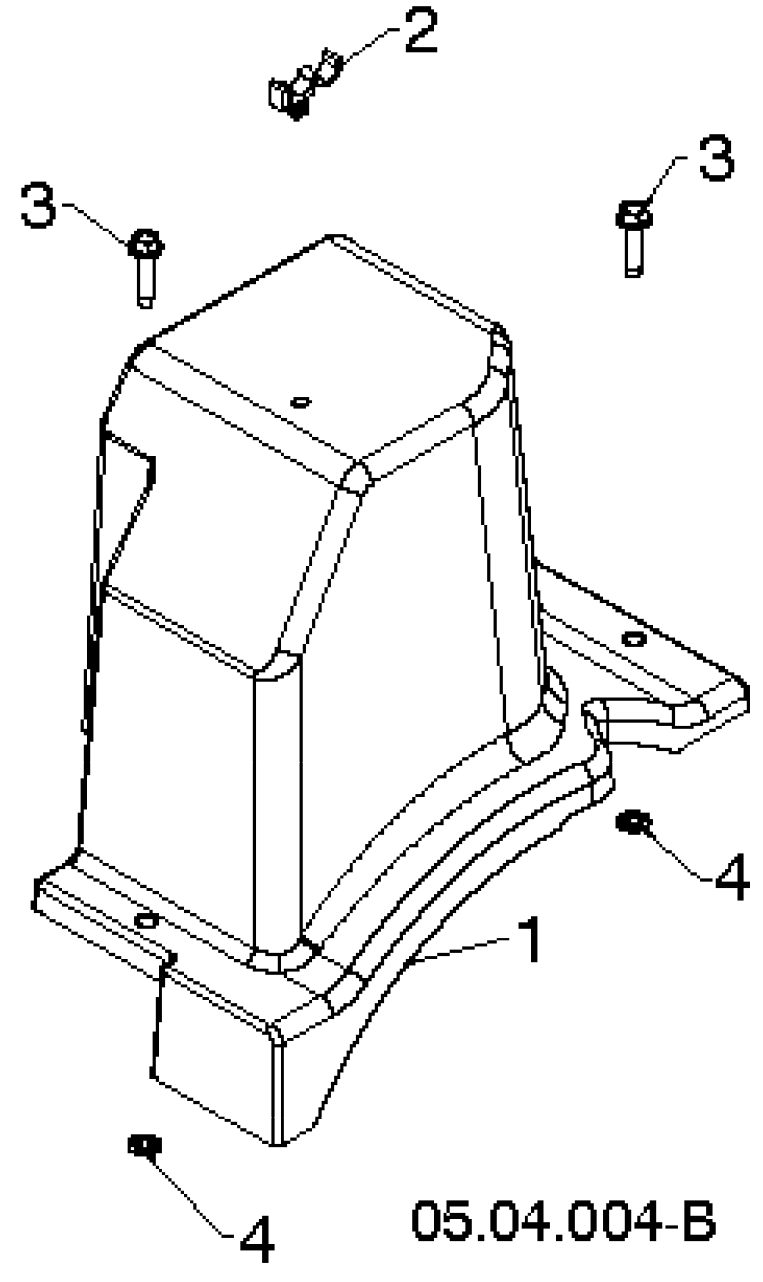


05.01.001-C



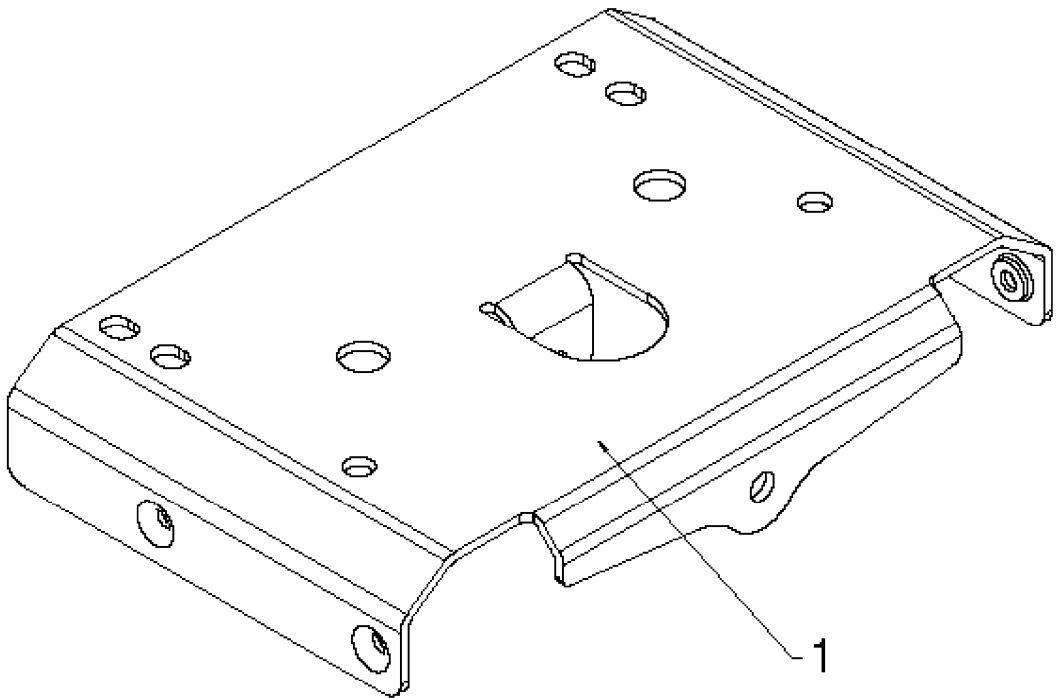
LCT Motor #
PW2HK18500178PABG

Ref #	Part Number	Qty	Description
	585742603	1	
1	580839403	1	
2	532150406	1	BOLT 3/8-16X1-1/8
3	580839503	1	
4	581122402	1	
5	817060410	1	SCREW 14-20 X 5/8
6	585206001	1	
7	532428867	1	BOLT.HEX.HD.WASHER.5/16-18X.75
8	585217501	1	



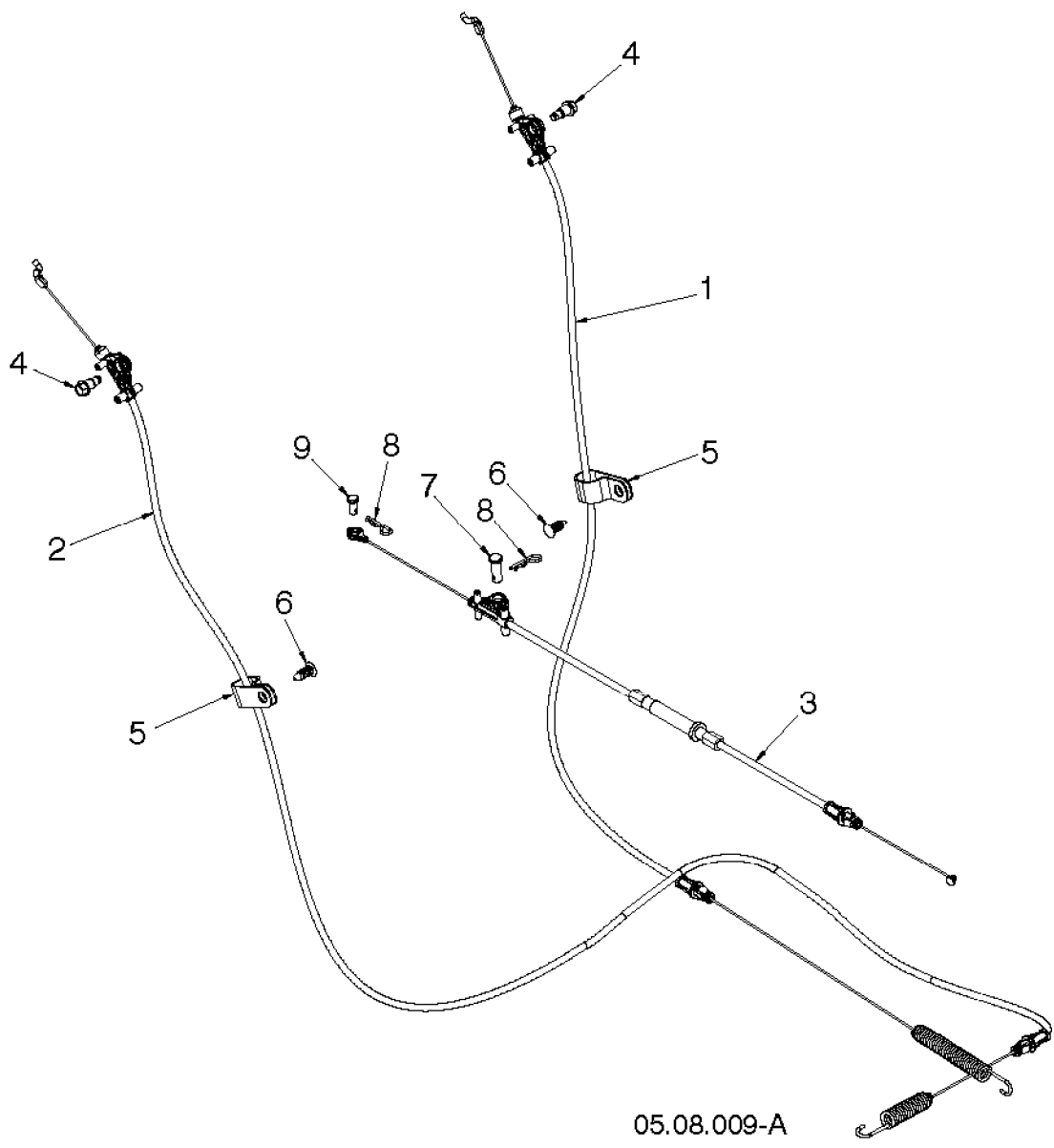
05.04.004-B

Ref #	Part Number	Qty	Description
1	587105401	1	
2	532145006	1	PUSH CLIP
3	585691101	1	
4	532423062	1	PALNUT 1/4



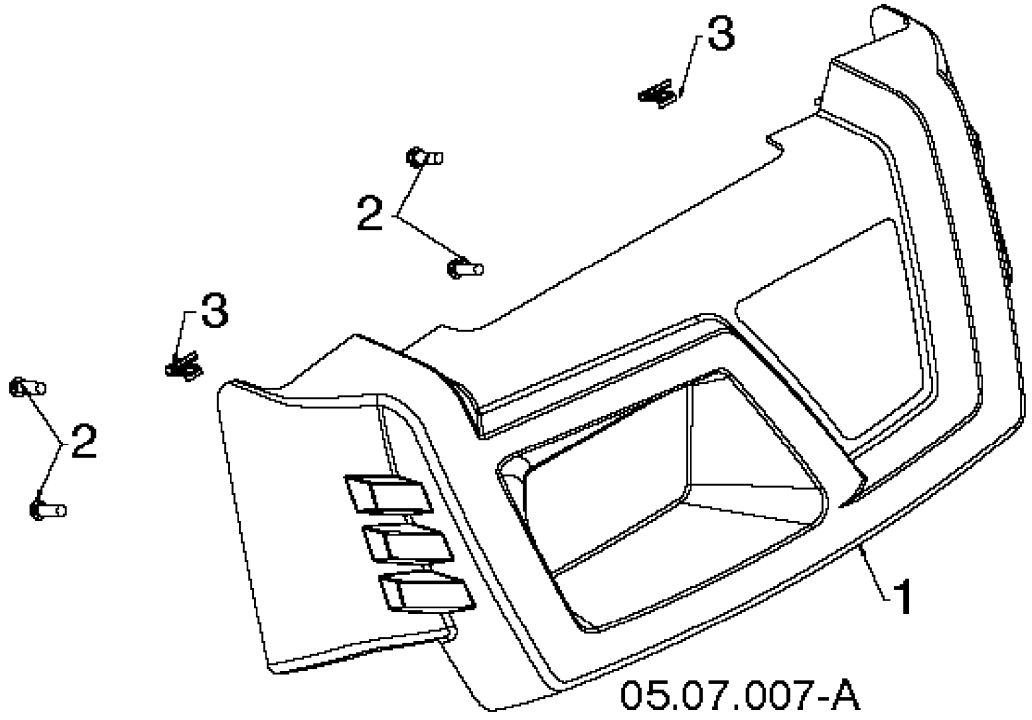
05.01.003-A

Ref #	Part Number	Qty	Description
1	583940502	1	



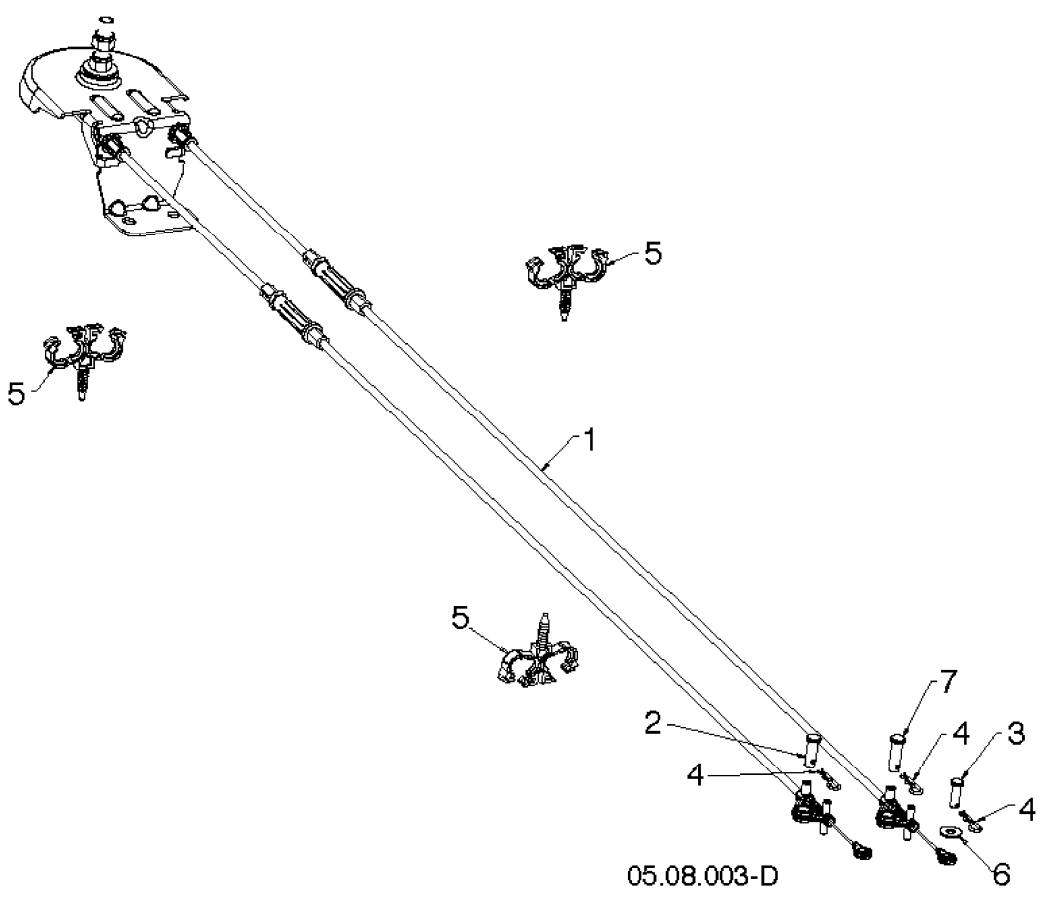
05.08.009-A

Ref #	Part Number	Qty	Description
1	581128301	1	
2	587428701	1	
3	587343801	1	
4	581726101	1	
5	532197991	1	CLIP.CABLE.BLK
6	532428124	1	FASTENER.PUSH.O.250X0.783
7	581329401	1	
8	532423303	1	
9	585808301	1	



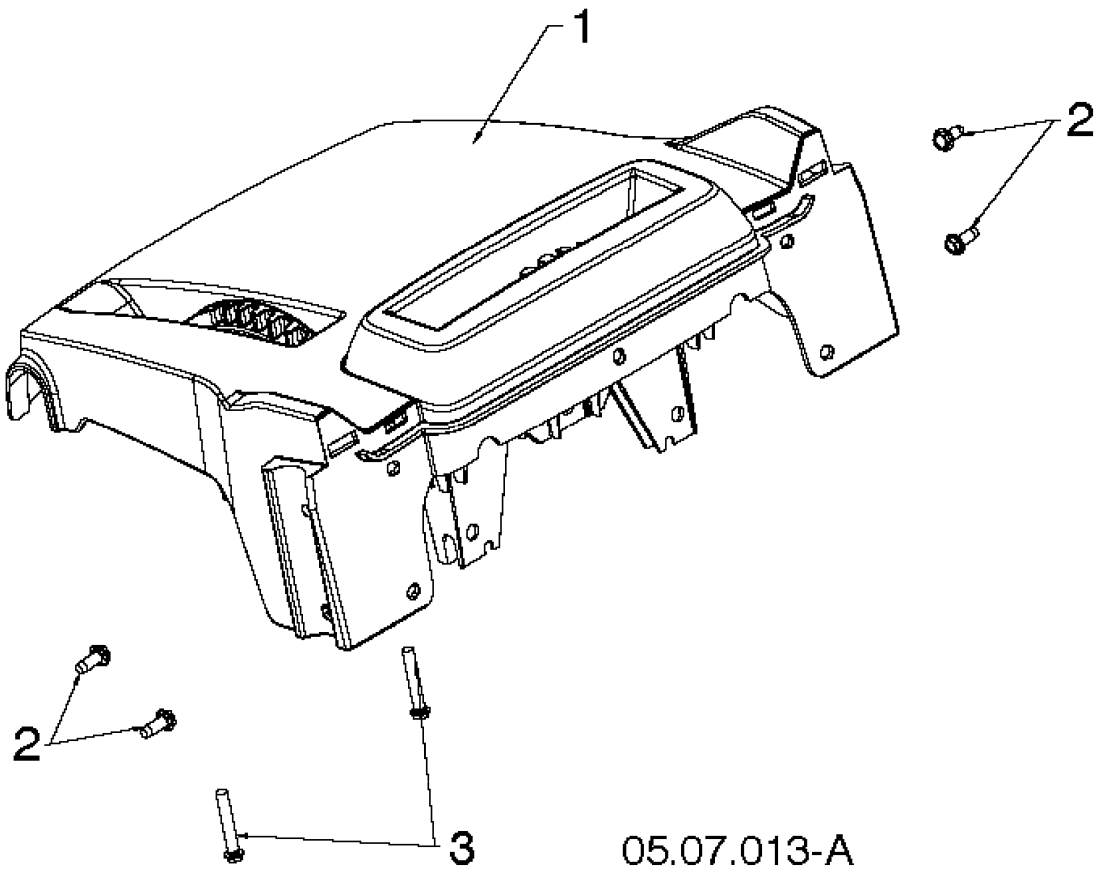
05.07.007-A

Ref #	Part Number	Qty	Description
1	581128104	1	
2	532194189	1	SCREW.HWH.13-16-5.8.BZP
3	581928701	1	



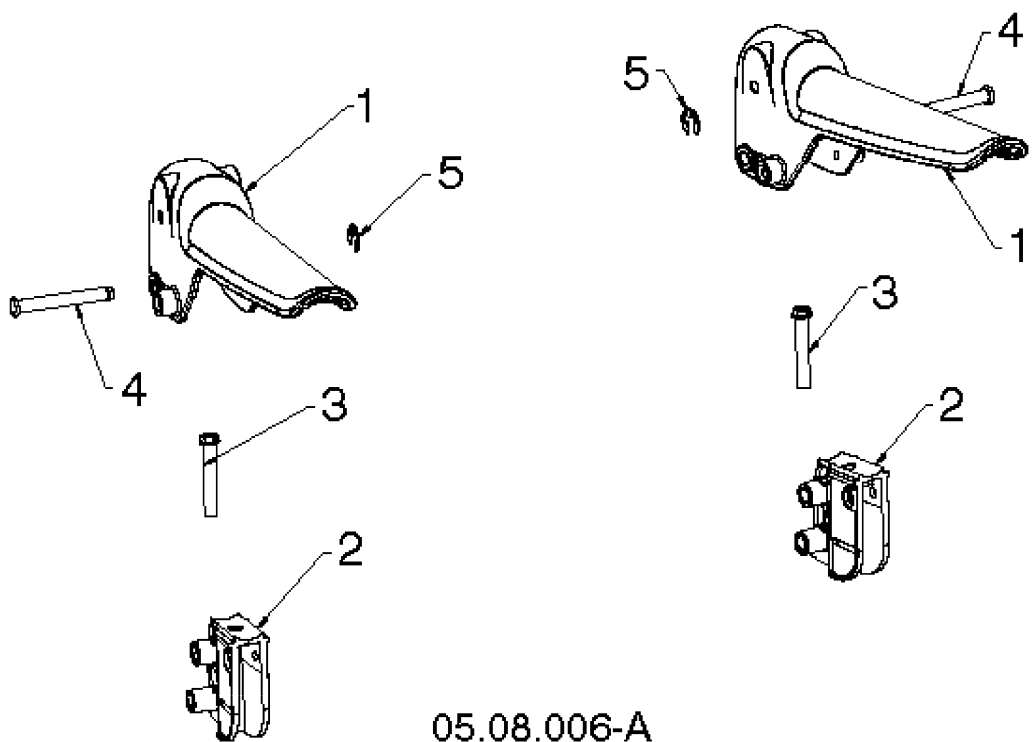
05.08.003-D

Ref #	Part Number	Qty	Description
1	581680301	1	
2	581329401	1	
3	877100812	1	PIN.CLEVIS
4	532423303	1	
5	584652201	1	
6	586682101	1	
7	587130801	1	



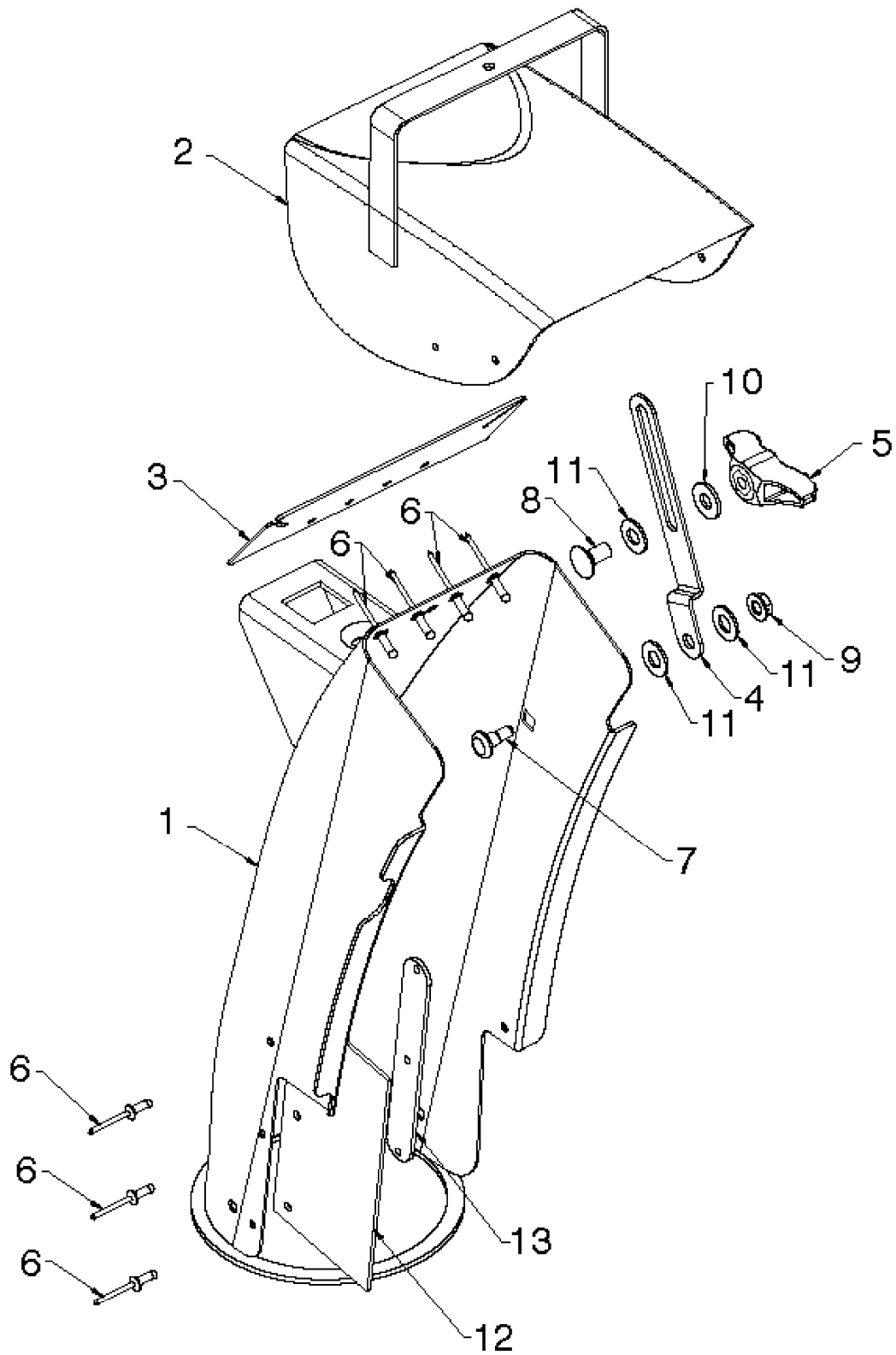
05.07.013-A

Ref #	Part Number	Qty	Description
1	581131205	1	
2	817060410	1	SCREW 14-20 X 5/8
3	581329501	1	



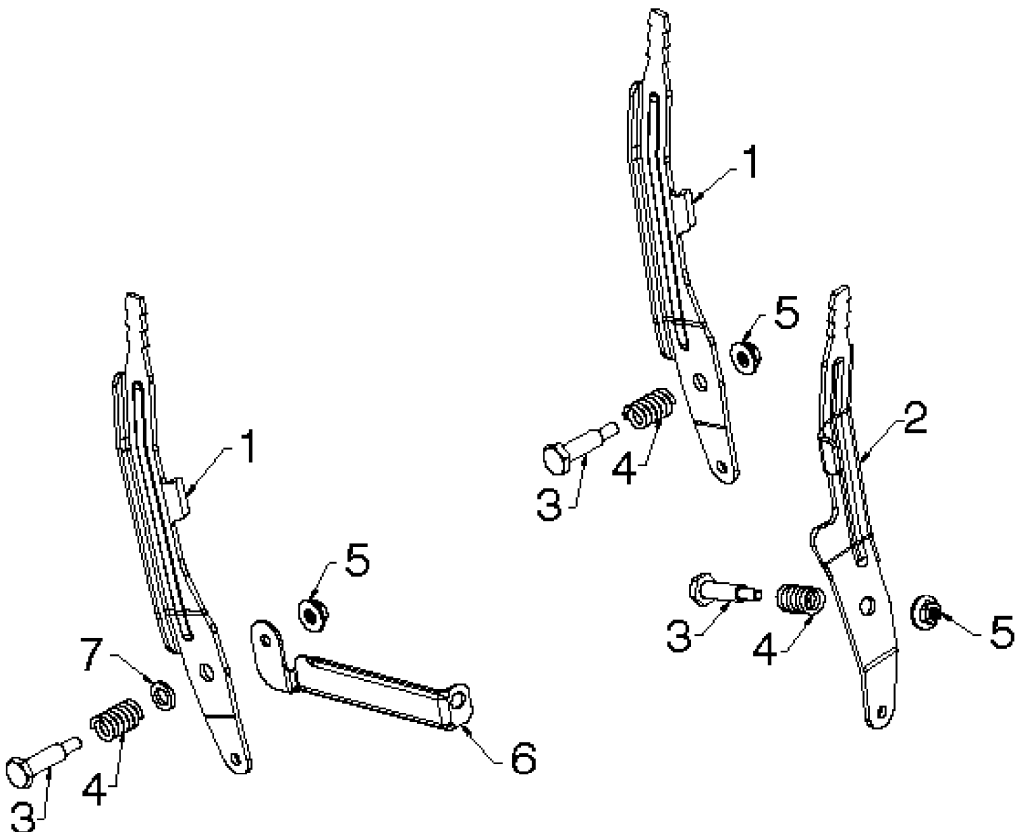
05.08.006-A

Ref #	Part Number	Qty	Description
1	587463001	1	
2	581208201	1	
3	585690701	1	
4	532431762	1	
5	812000014	1	



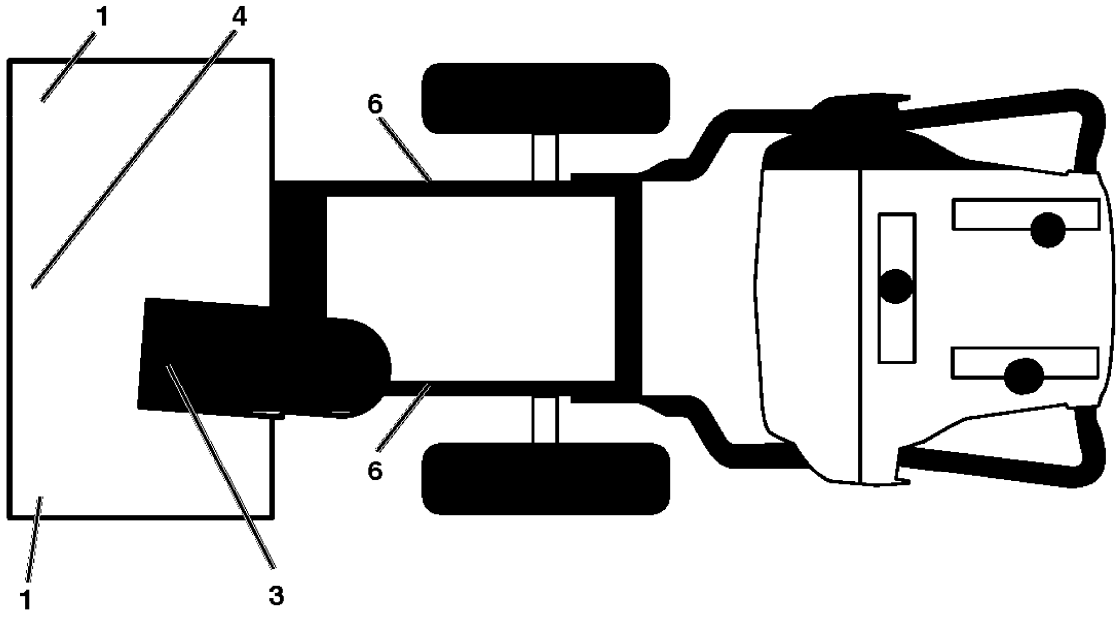
05.11.005-A

Ref #	Part Number	Qty	Description
1	532443624	1	CHUTE.WELDMENT.BLACK
2	532184511	1	
3	532420325	1	SEAL.DEFLECTOR
4	532184114	1	
5	532191938	1	
6	532128415	1	RIVET BLIND
7	585832301	1	
8	585832101	1	
9	585691401	1	
10	532155415	1	WASHER.20X8.5
11	532179246	1	WASHER, NYLON FRICTION
12	532430324	1	SHIELD.SNOW.CHUTE
13	532421728	1	STRAP.SHEILD.RETAINER

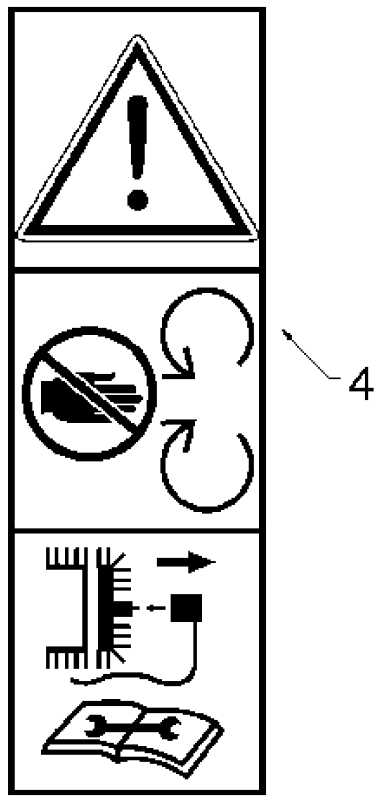
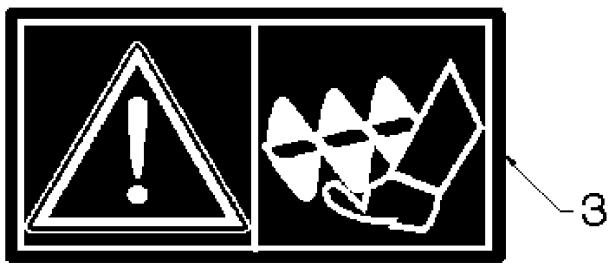
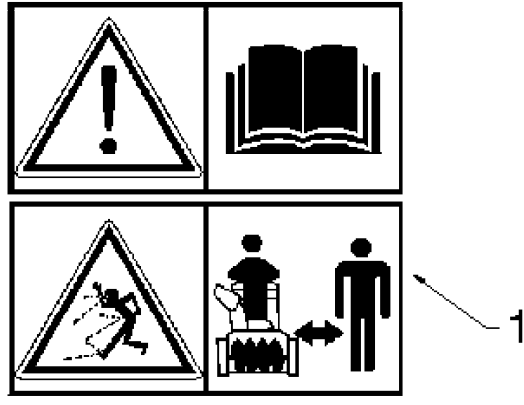


05.08.005-C

Ref #	Part Number	Qty	Description
1	581123902	1	
2	581241602	1	
3	581329701	1	
4	581329601	1	
5	586668901	1	
6	584468402	1	
7	587031301	1	

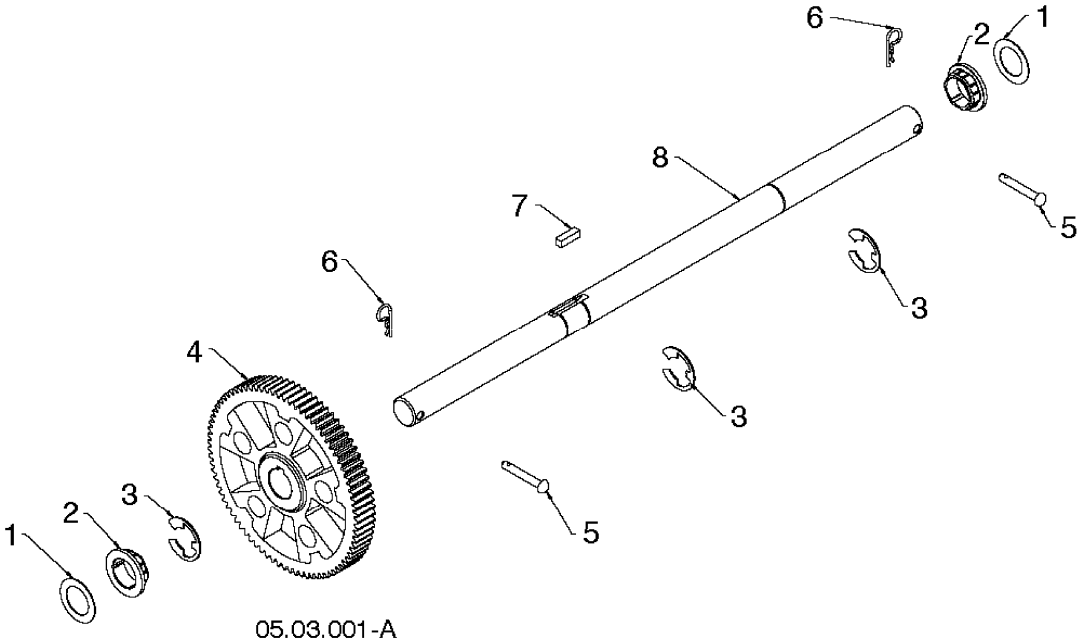


Ref #	Part Number	Qty	Description
1	532199683	1	
3	532199682	1	
4	532184045	1	
6	532184028	1	



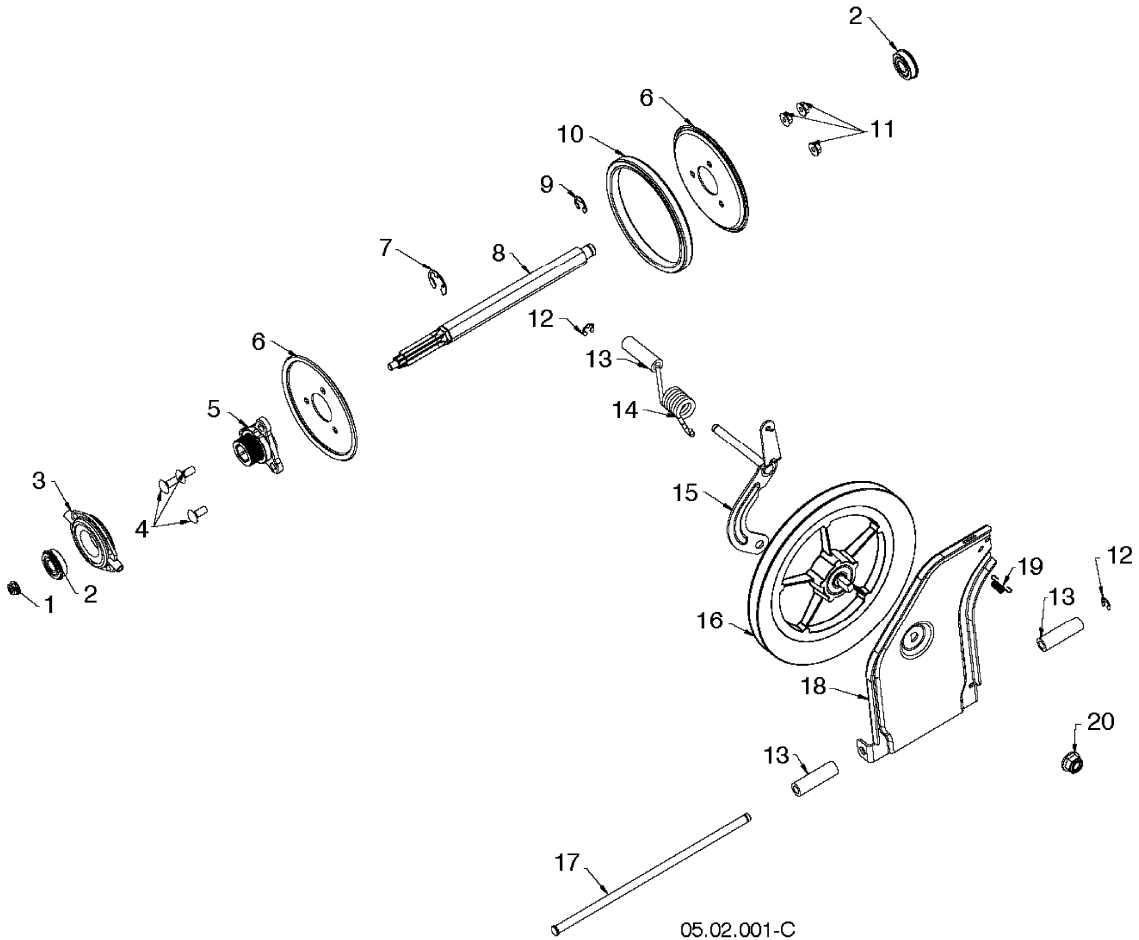
05.16.001-A

Ref #	Part Number	Qty	Description
1	532184045	1	
2	532199682	1	
3	532199683	1	
4	532184028	1	

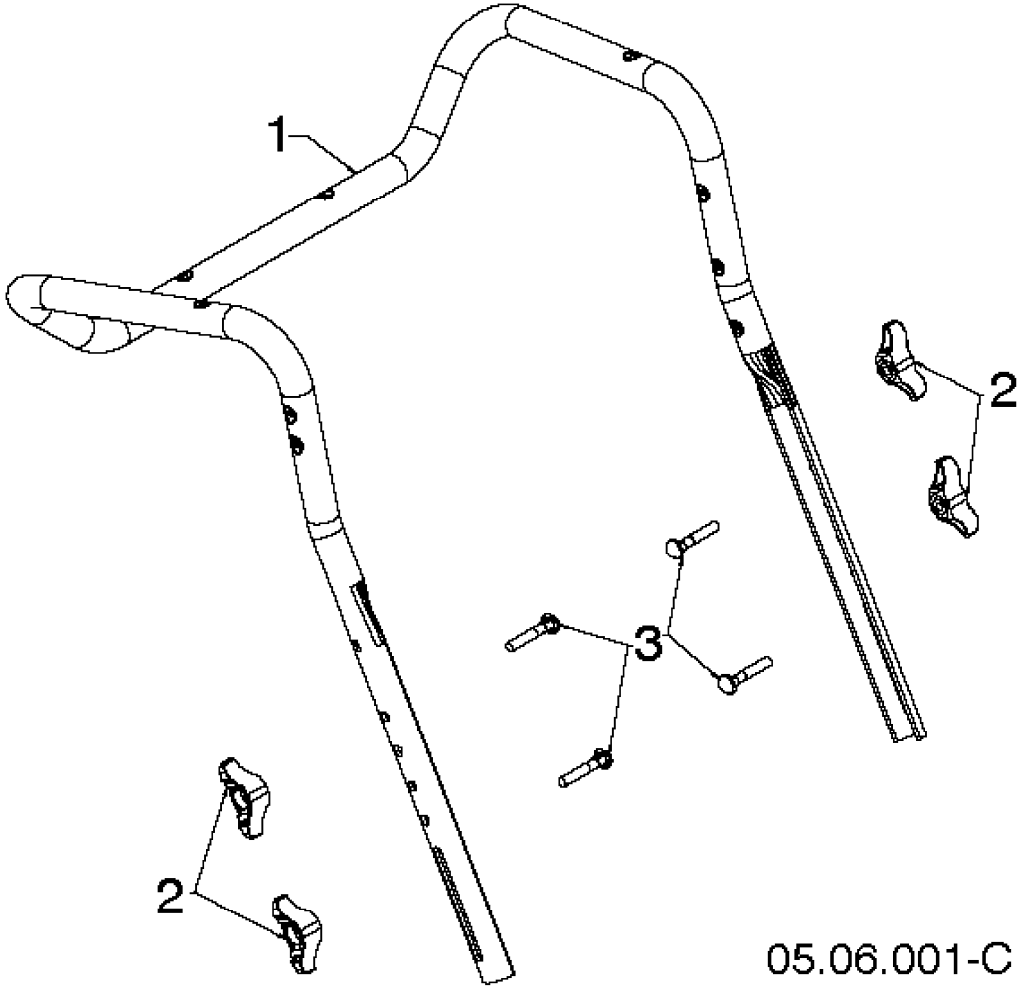


05.03.001-A

Ref #	Part Number	Qty	Description
1	532444949	1	WASHER 1.00
2	581122301	1	
3	812000053	1	E RING HYT
4	581122202	1	
5	532171271	1	
6	532124788	1	
7	532189282	1	KEY, SQUARE 1/4 X .875
8	581122001	1	

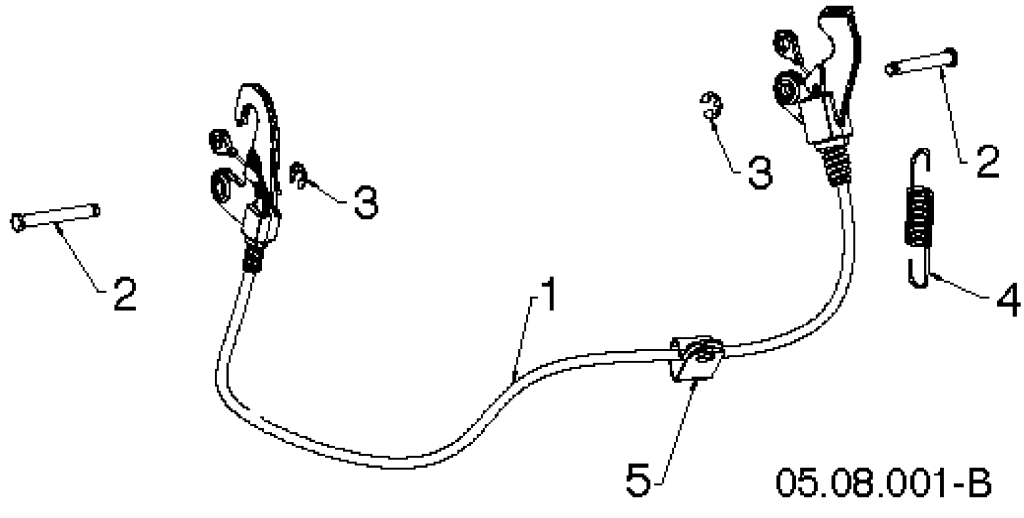


Ref #	Part Number	Qty	Description
1	585691501	1	
2	580756201	1	
3	532175344	1	TRUNNION BEARING ASSY
4	872110506	1	BOLT.5/16-18.
5	581090901	1	HUB.RUBBER.WHEEL
6	581091002	1	
7	812000022	1	E-RING
8	581121901	1	
9	580756101	1	
10	581091101	1	
11	532751153	1	NUT.LOCK.5/16-18
12	812000007	1	
13	581732701	1	
14	581315301	1	
15	581454203	1	
16	581328401	1	
17	581123001	1	
18	581446903	1	
19	532193885	1	SPRING LATCH
20	521991101	1	NUT, 1/2-13 HEX FLG NYLOC ZD



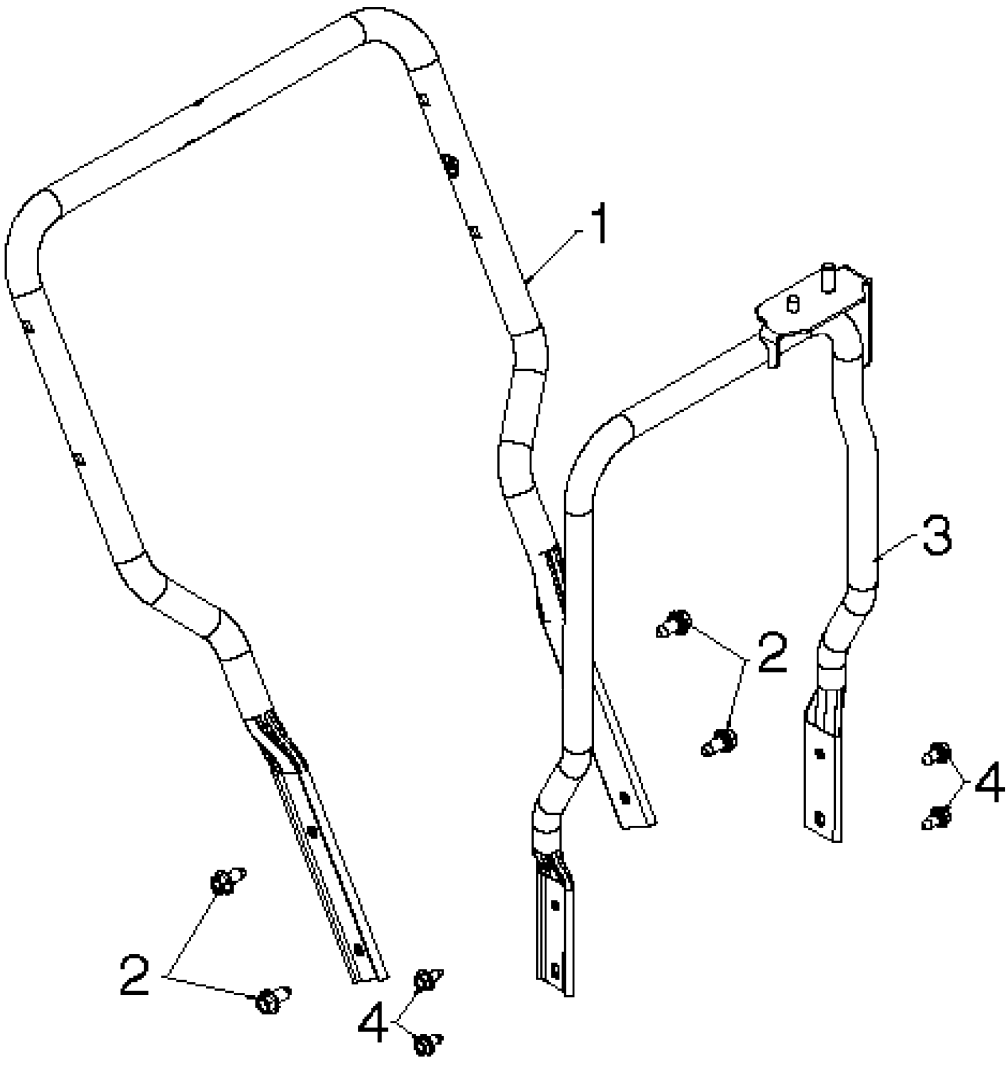
05.06.001-C

Ref #	Part Number	Qty	Description
1	581123604	1	
2	532191938	1	
3	587359001	1	



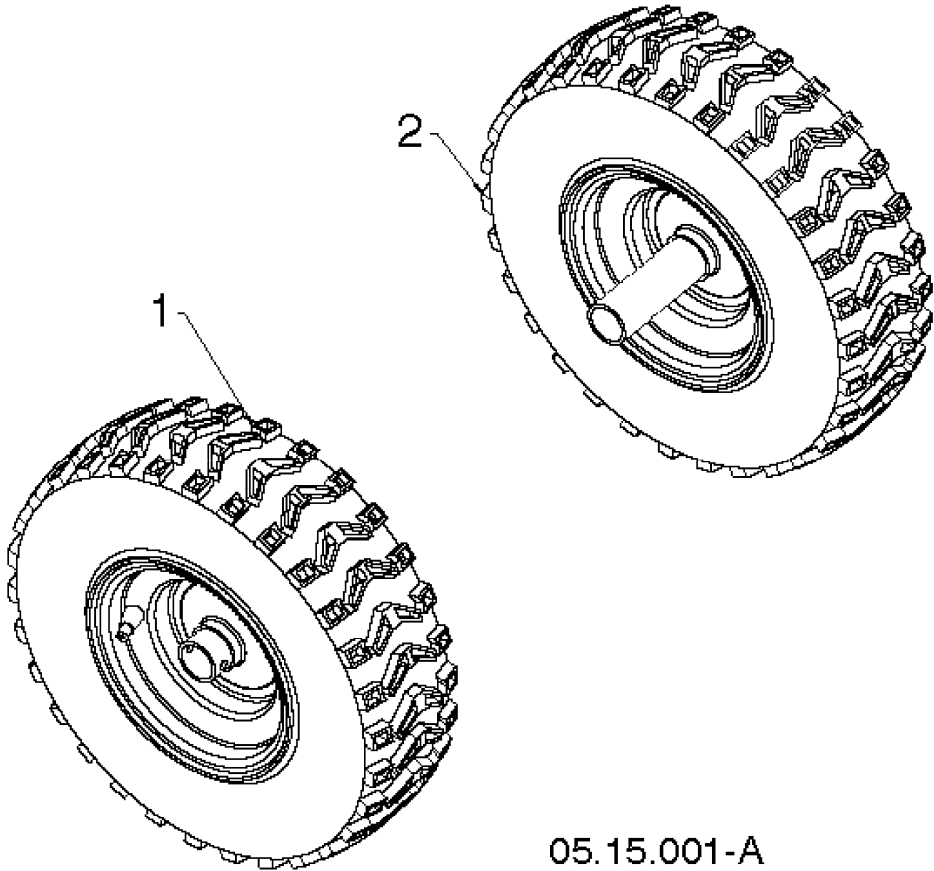
05.08.001-B

Ref #	Part Number	Qty	Description
1	580664701	1	
2	532431762	1	
3	812000014	1	
4	581151201	1	
5	532197991	1	CLIP.CABLE.BLK



05.05.001-C

Ref #	Part Number	Qty	Description
1	581123504	1	
2	817000612	1	SCREW, 3/8-16X3/4
3	581622002	1	
4	817000510	1	BOLT.5/16HEX.WHS.HD



05.15.001-A

Ref #	Part Number	Qty	Description
1	580627703	1	
2	580627603	1	