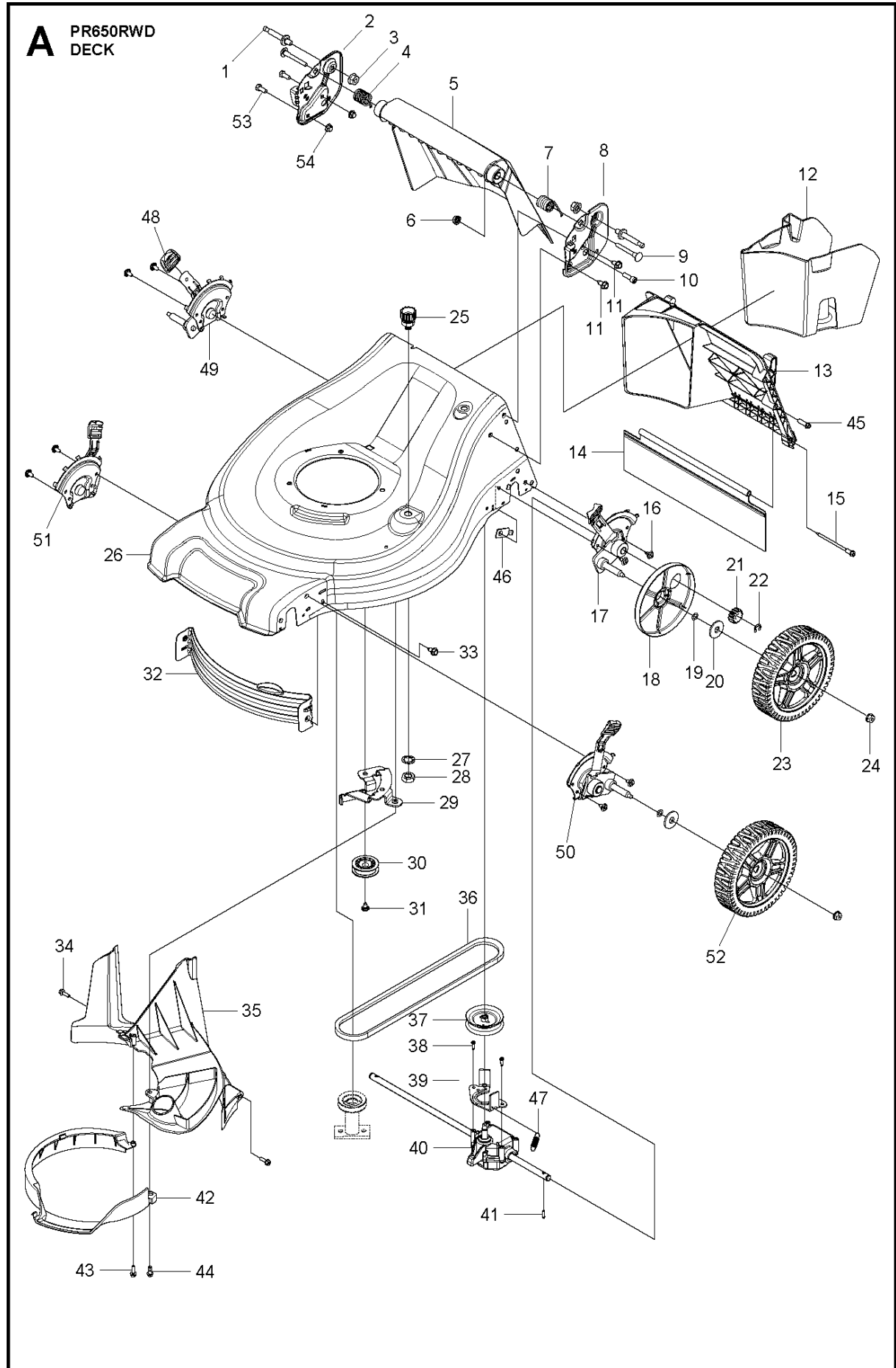




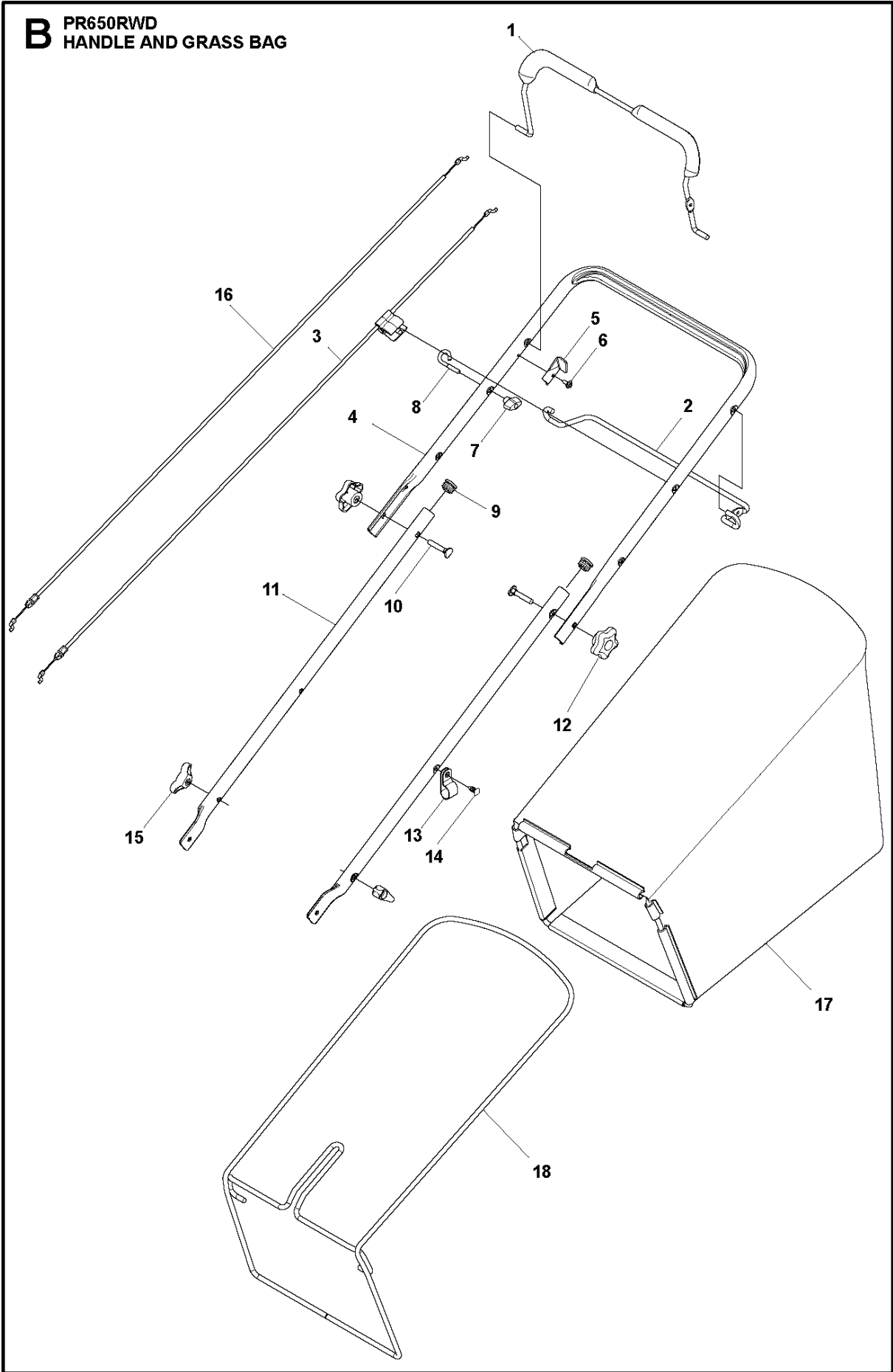
# SPARE PARTS LIST

LAWN MOWERS: CONSUMER  
WALK-BEHINDS

PR650RWD, 96142014201, 2016-11



Ref	Part No	Description	Remark	QTY KIT
1	587 01 52-01	BOLT	"Handle, Pivot, 5/16-18"	2
2	589 19 78-03	HANDLEBAR BRACKET	"Adjustable handle, Right"	1
3	587 59 99-01	NUT	"Serrated Flange, 5/16-18"	2
4	587 25 06-01	SPRING	Right door	1
5	586 13 80-02	DOOR	Rear	1
6	532 41 32-84	NUT	"Flanged, 3/8-16"	2
7	587 24 98-01	SPRING	"Left, door"	1
8	589 19 76-03	HANDLEBAR BRACKET	"Adjustable handle, Left"	1
9	587 19 89-01	BOLT	"Pivot, 3/8-16"	2
10	587 28 11-01	SCREW	"Hi-Lo, 5/16-14 X T-45"	2
11	817 00 05-10	BOLT	"Hex, 5/16"	2
12	586 92 27-01	MULCHING PLUG		1
13	586 13 75-01	INSERT	Rear	1
14	586 69 88-01	GUARD	Rear	1
15	587 43 82-01	SCREW	"Hi-Lo, 5/16-14 X 4.10"	1
16	581 12 76-01	SCREW	1/4-20 Tri-lobe	8
17	586 92 01-11	HEIGHT ADJUSTER	"4-point, Left rear"	1
18	581 84 04-01	DUST COVER		2
19	532 19 74-80	O-RING		4
20	532 06 77-25	WASHER	1/2 X 1-1/2 X .134	4
21	532 40 48-35	PINION	"14 Tooth, AWD"	2
22	812 00 00-58	E-CLIP	"7/16, RE-style"	2
23	581 68 55-05	WHEEL	"8 X 2, AWD"	2
24	532 40 91-48	NUT	"Hex Flange, 3/8-16"	4
25	532 41 97-35	HOSE FITTING	Blue	1
26	588610219	TBD	"21" RWD"	1
27	532 41 55-85	LOCKWASHER	Star	1
28	532 41 55-86	LOCKING NUT	Hex	1
29	588 06 22-02	BRACKET	"Idler, RWD"	1
30	587 96 92-01	PULLEY	"Pulley, Idler"	1
31	581 12 76-01	SCREW	1/4-20 Tri-lobe	1
32	586 69 86-01	BAFFLE	Front	1
33	817 00 05-10	BOLT	"Hex, 5/16"	2
34	587 59 98-01	SCREW	"Hi-Lo, 13-16 X .750"	2
35	586 56 04-01	BELT COVER	Belt/Rear Baffle	1
36	580 36 46-08	BELT	"Drive, RWD"	1
37	586 96 30-01	PULLEY	"Transmission, RWD"	1
38	532 16 34-09	SCREW	"12 X 5/8, Hi-Lo Thread"	2
39	589 31 83-02	BRACKET	Rear transmission	1
40	586 13 76-01	TRANSMISSION	"Rear, RWD"	1
41	532 40 48-45	PAWL, DRIVE	Drive	2
42	587 08 10-01	STRIPPER	Stripper	1
43	587 59 98-01	SCREW	"Hi-Lo, 13-16 X .750"	1
44	581 72 61-01	BOLT	"Shoulder, 1/4-20 Tri-lobe"	1
45	584 29 94-01	SCREW EHHFT	"Hi-Lo, 5/6 X 1.00"	1
46	587 14 73-01	STRAP		2
47	581 35 13-01	SPRING	Rear transmission	1
48	532 70 10-37	KNOB	Ergonomic	4
49	586 92 01-09	HEIGHT ADJUSTER	Right Rear	1
50	586 92 01-13	HEIGHT ADJUSTER	Left Front	1
51	586 92 01-15	HEIGHT ADJUSTER	Right Front	1
52	581 00 94-12	WHEEL ASSY		2
53	874 78 05-12	SCREW	5/16 - 18 x .750	2
54	532 42 79-42	NUT	Nylon flange 5/16 - 18	2

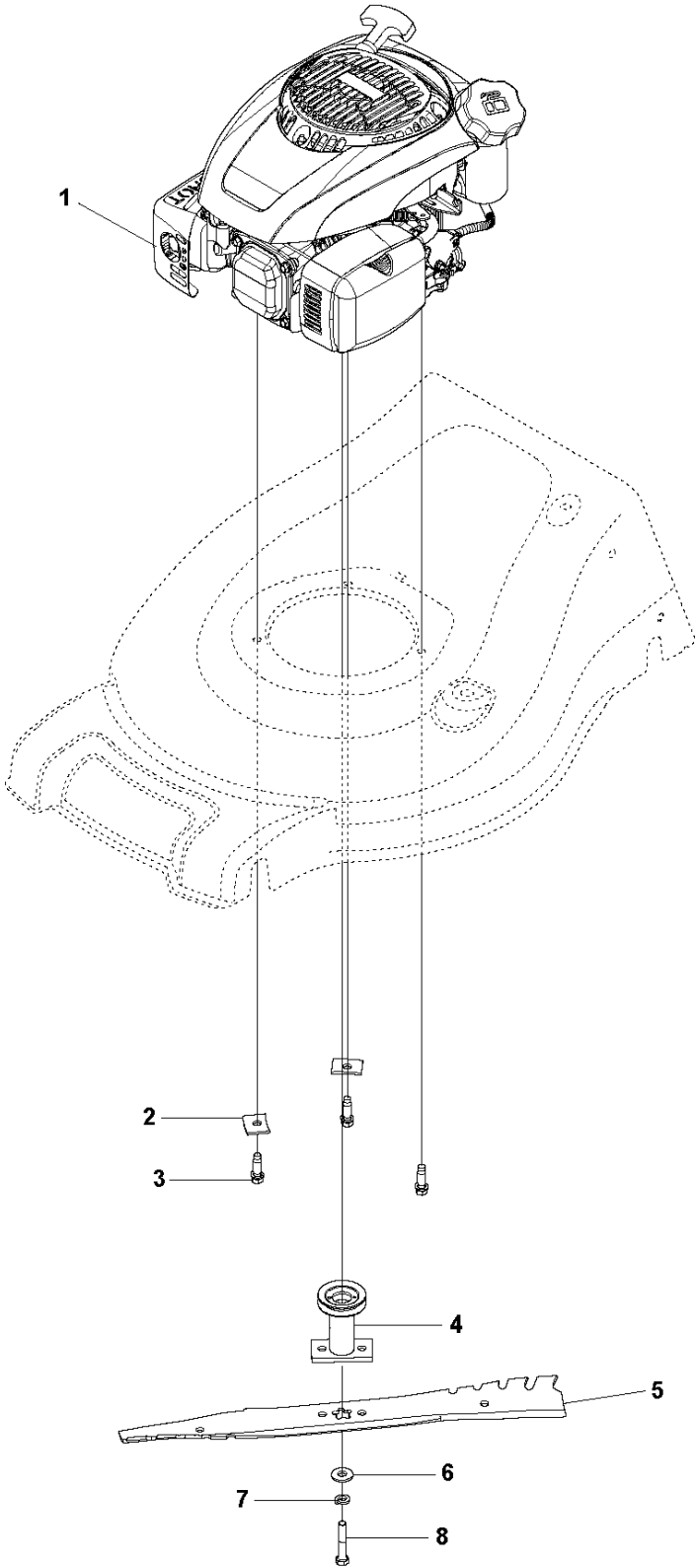


## HANDLE

PR650RWD, 96142014201, 2016-11

Ref	Part No	Description	Remark	QTY KIT
1	587 47 83-03	BAIL ARM ASSY	Straight	1
2	532 43 52-81	BAIL	"Drive, Straight"	1
3	501 18 88-01	CABLE	Operator Presence Ball	1
4	589 19 79-03	HANDLEBAR	Straight	1
5	532 43 00-34	BRACKET	Upstop	1
6	532 17 88-48	SCREW	10-16 X 5/8	1
7	581 91 26-01	KNOB	"T, Rope Guide"	1
8	581 90 21-01	GUIDE	Rope	1
9	532 43 75-16	PLUG	"Plastic, 7/8, 14-20 Gauge"	2
10	588 04 04-01	BOLT	"Concave Head, Retaining"	1
11	501 06 40-03	HANDLEBAR	"Lower 2 piece, 3 Position"	2
12	532 18 23-98	KNOB	"Handle, Star"	2
13	532 19 79-91	CLIP	P/Cable	1
14	532 42 81-24	FASTENER	"Push, 0.250 X 0.783"	1
15	532 19 19-38	KNOB	"Wing, Black"	2
16	582 59 86-02	DRIVE CABLE	"Drive, Under-bail"	1
17	587 10 04-15	GRASS BAG ASSY		1
18	586 92 91-02	BAG FRAME		1

**C** PR650RWD  
ENGINE



## ENGINE

PR650RWD, 96142014201, 2016-11

Ref	Part No	Description	Remark	QTY KIT
1	000 00 00-00	W/O DESCRIPTION	Kohler XT650-3045 (For engine service and replacement parts, call Kohler at 1-800-544-2444)	1
2	532 12 50-78	WASHER	Engine	2
3	532 15 04-06	BOLT	"3/8 16""	3
4	582 89 01-01	ADAPTER	25 mm	1
5	586 85 96-02	BLADE	High Lift	1
6	532 85 10-74	WASHER	Hardened	1
7	532 85 02-63	WASHER	"3/8, Helical Spring"	1
8	582 38 84-01	BOLT	Hex Head Machine Screw	1