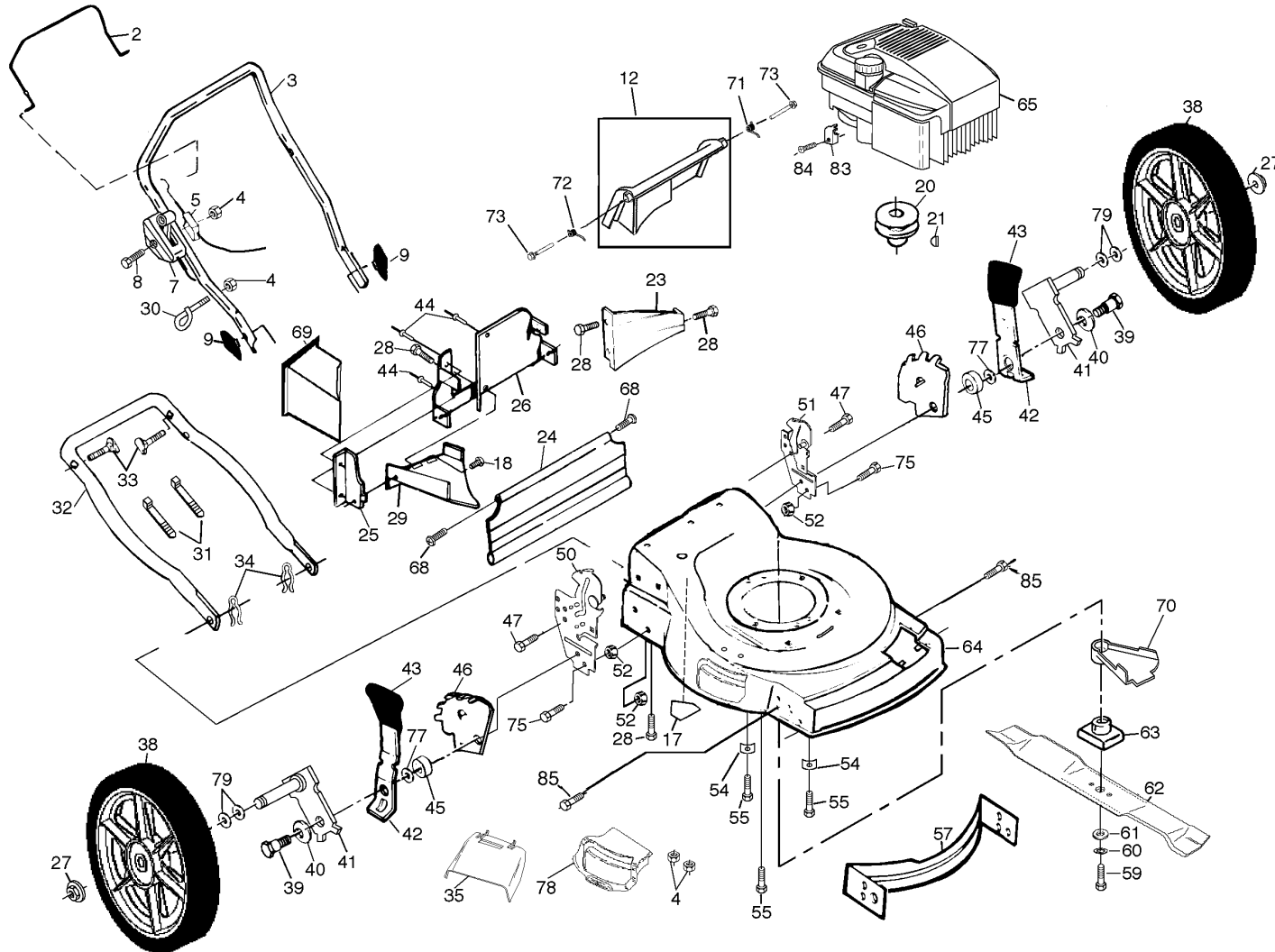


REPAIR PARTS

POWER PROPELLED ROTARY LAWN MOWER - - MODEL NO. PR65Y22CHB



REPAIR PARTS

REPAIR PARTS

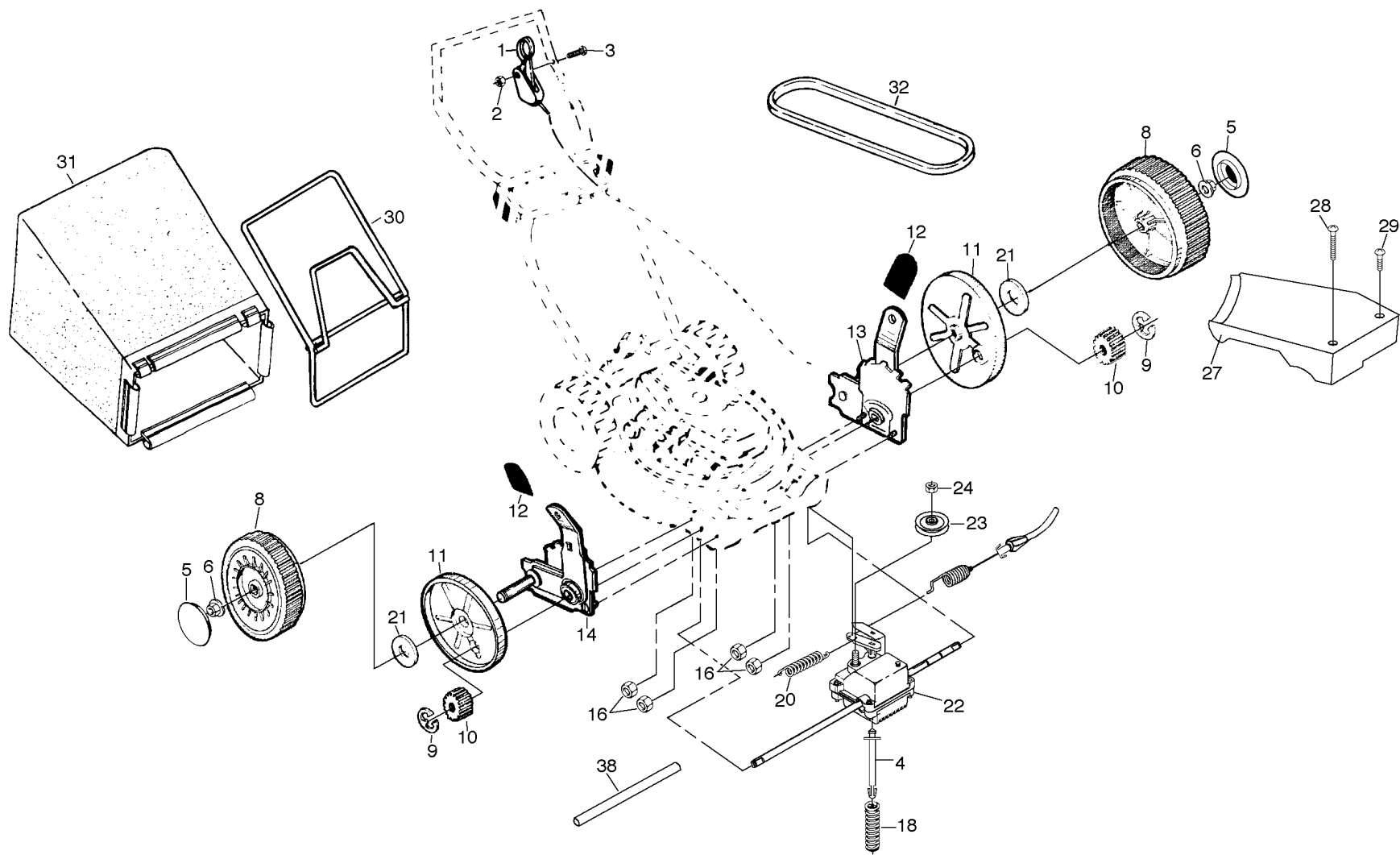
POWER PROPELLED ROTARY LAWN MOWER - - MODEL NO. PR65Y22CHB

KEY NO.	PART NO.	DESCRIPTION	KEY NO.	PART NO.	DESCRIPTION
2	170287	Control Bar	47	150078	Self-tapping Screw 5/16-18 x 3/4
3	166862X479	Upper Handle	50	173572X479	Handle Bracket (Right)
4	63601	Locknut	51	173571X479	Handle Bracket (Left)
5	130861	Engine Zone Control Cable	52	751592	Locknut 3/8-16
7	170294	Throttle Control	54	851201X004	Engine Washer
8	144929	Hex Washer Head Screw 1/4-20 x 2-1/8	55	150406	Hex Head Thread Rolling Screw 3/8-16 x 1-1/8
9	170146	Handle Knob	57	170557	Front Baffle Kit
12	170947	Rear Door Kit	59	851084	Hex Head Machine Screw 3/8-24 x 1-3/8 Gr. 8
17	107339X	Danger Decal	60	850263	Helical Lock Washer
18	150050	Screw #10	61	851074	Hardened Washer
20	84596	Engine Pulley	62	141114	Blade 22"
21	87677	Hi Pro Key #505	63	851514	Blade Adapter
23	133040X479	Baffle, Rear	64	175475	Lawn Mower Housing Kit (Includes Key No. 17)
24	140540	Rear Skirt	65	-----	Engine Briggs & Stratton 120602
25	700365X479	Side Baffle	68	88652	Order parts from engine manufacturer
26	156380X479	Back Plate	69	166649	Hinge Screw
27	83923	Flanged Locknut	70	134612	Mulcher Plug
28	54583	Screw Hex Head 1/4-20 x 1/2	71	170938	Debris Shield
29	176655X479	Discharge Baffle	72	170939	Spring LH
30	132001	Rope Guide	73	165912	Spring RH
31	66426	Wire Tie	75	74760612	Bolt
32	151721X479	Lower Handle	77	88348	Bolt
33	131959	Handle Bolt	78	147738	Flat Washer
34	51793	Hairpin Cotter	79	57143	Combi-cut Door
35	145285	Clip-on Discharge Deflector	83	111190X	Wave Washer
38	170258	Wheel & Tire Assembly	84	83816	Cable Clamp
39	142748	Shoulder Bolt	85	17600406	Screw
40	61651	Spring Washer	--	162300	Warning Decal (Not Shown)
41	750913X004	Axle Arm	--	172787	Operator's Manual (English)
42	170136X004	Selector Spring	--	172788	Operator's Manual (French)
43	175478	Selector Knob	--	175474	Replacement Parts Manual
44	128415	Pop Rivet			
45	146630	Spacer			
46	700325X007	Wheel Adjusting Bracket			

REPAIR PARTS

POWER PROPELLED ROTARY LAWN MOWER - - MODEL NO. PR65Y22CHB

4



REPAIR PARTS

POWER PROPELLED ROTARY LAWN MOWER - - MODEL NO. PR65Y22CHB

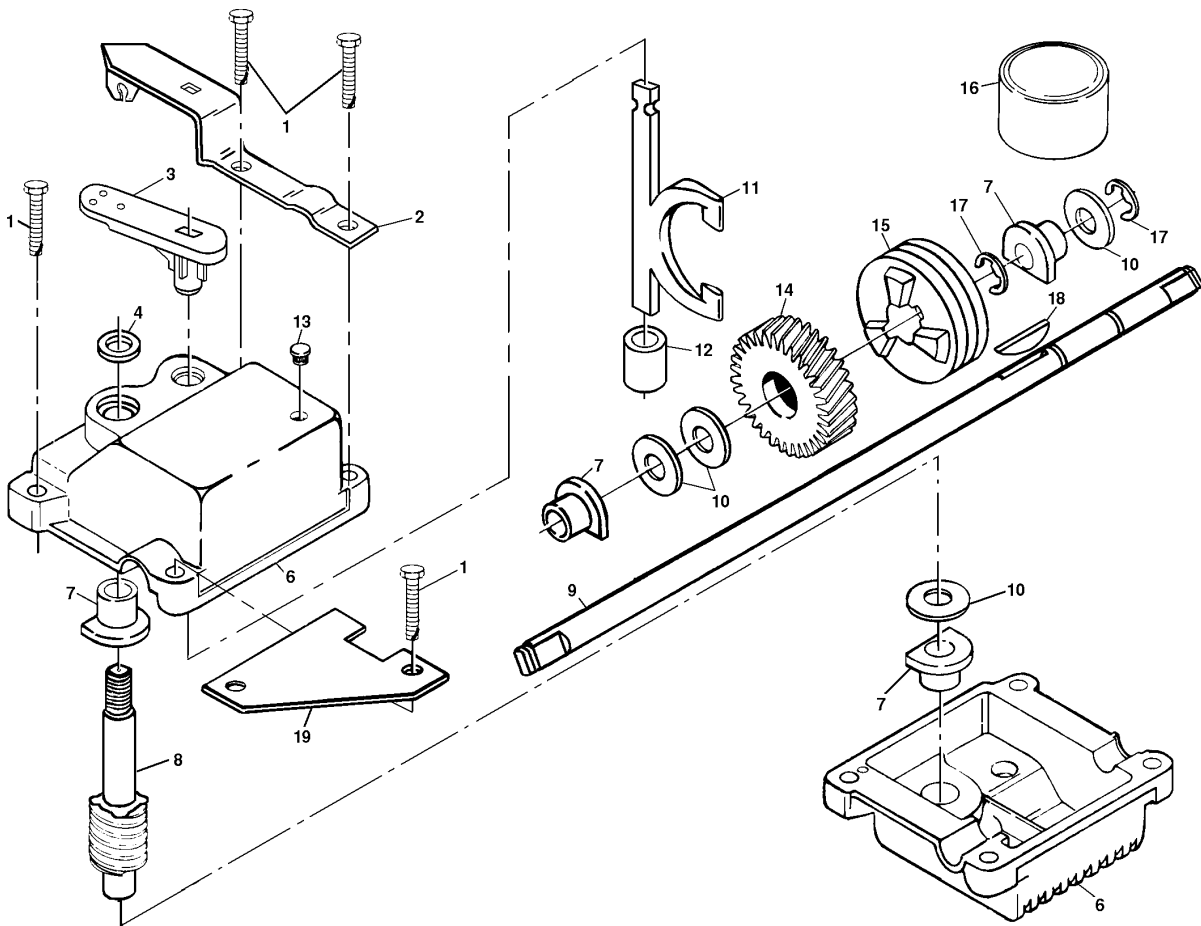
KEY NO.	PART NO.	DESCRIPTION
1	170296	Drive Control
2	751152	Locknut 1/4-20
3	158755	Hex Washer Head Screw 1/4-20 x 2.12
4	150495	Spring Retainer
5	77400	Hubcap
6	145212	Flanged Locknut
8	170263	Wheel & Tire Assembly
9	12000058	E-ring
10	137054	Pinion
11	88080	Dust Cover
12	170143	Selector Knob
13	172291	Wheel Adjuster Assembly (Left)
14	172290	Wheel Adjuster Assembly (Right)
16	63601	Locknut

KEY NO.	PART NO.	DESCRIPTION
18	137090	Spring
20	75192	Spring
21	67725	Washer 1/2 x 1-1/2 x .134
22	702511	Gear Case Assembly
23	137052	Drive Pulley
24	132010	Locknut
27	170151	Drive Cover
28	146072	Pan Head Tapping Screw #10-24 x 2-3/4
29	149746	Pan Head Tapping Screw #10-24 x 1-3/4
30	169931	Catcher Frame
31	175472	Grass Bag
32	146527	V-Belt
38	86012	Drive Shaft Cover

REPAIR PARTS

POWER PROPELLED ROTARY LAWN MOWER MODEL NO. PR65Y22CHB

GEAR CASE ASSEMBLY PART NUMBER 702511



KEY NO.	PART NO.	DESCRIPTION	KEY NO.	PART NO.	DESCRIPTION
1	17490416	Tapping Screw 1/4-20 x 1-1/4	9	137074	Drive Shaft
2	137055X004	Engagement Bracket	10	57079	Hardened Washer
3	137053	Shifter	11	131484	Clutch Yoke
4	57072	Seal	12	700343	Bushing
6	48373	Gear Case Halves Kit (Includes Key Nos. 4 and 7)	13	86447	Plug
7	77881	Bearing	14	137050	Helical Gear
8	137051	Worm Shaft	15	750436X	Clutch Jaw
			16	750369	Grease
			17	12000003	E-Ring
			18	850848	Hi-Pro Key
			19	81585X004	Spring Bracket

NOTE: All component dimensions given in U.S. inches. 1 inch = 25.4 mm