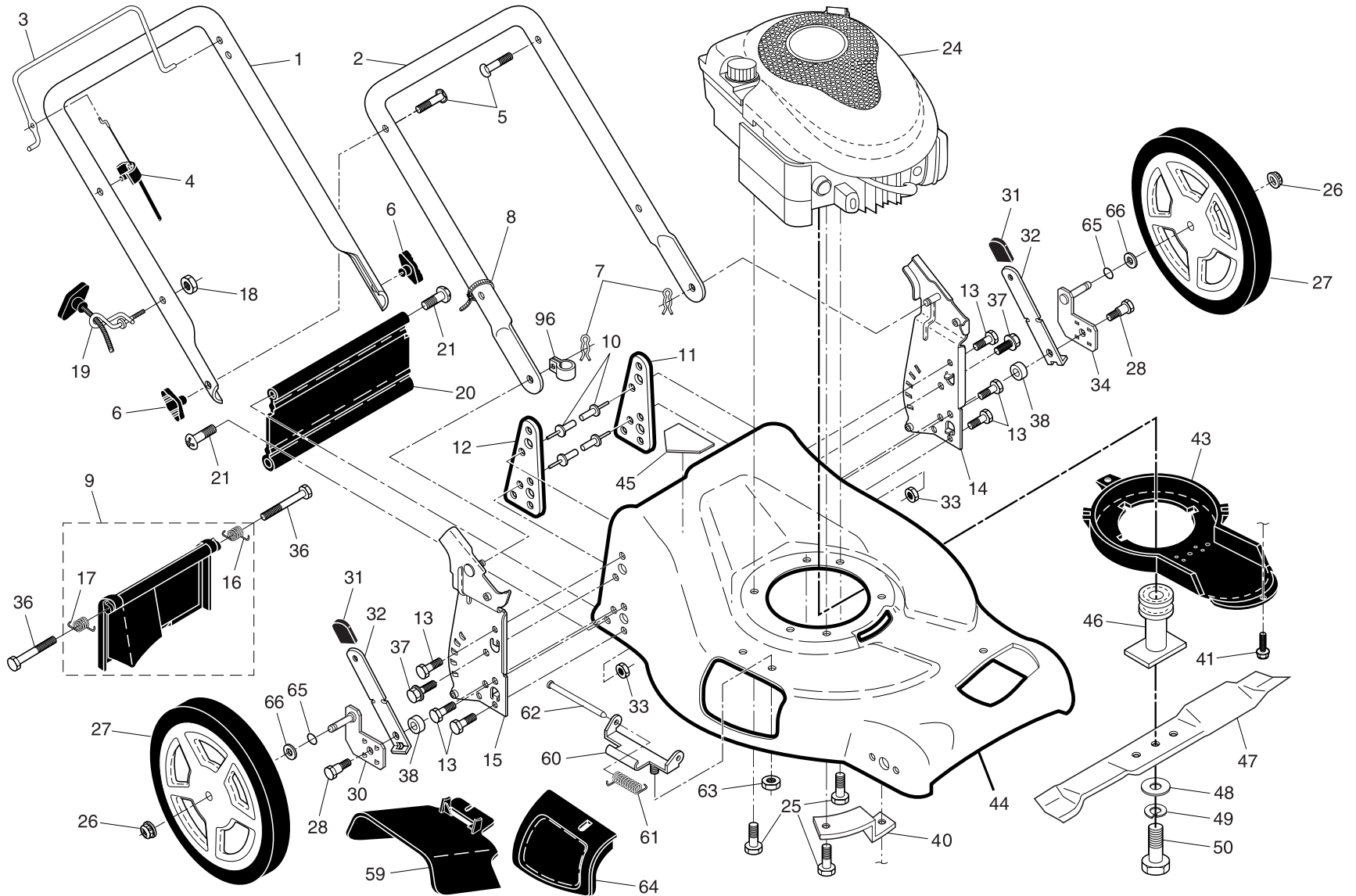


ROTARY LAWN MOWER - - MODEL NUMBER PR675Y21RHH (MFG. ID. NO. 96142003000)

2



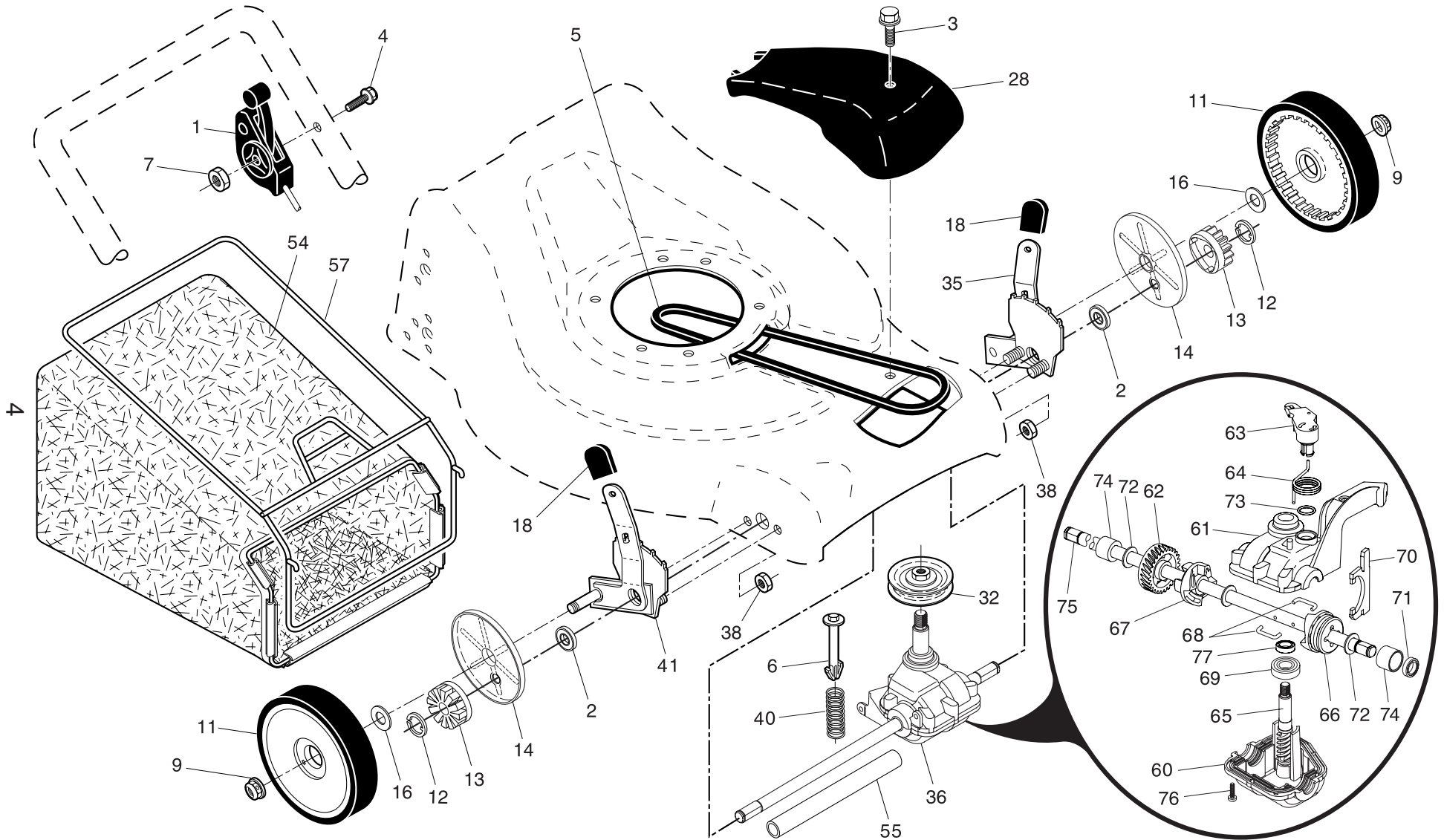
ROTARY LAWN MOWER - - MODEL NUMBER **PR675Y21RHH** (MFG. ID. NO. 96142003000)

KEY NO.	PART NO.	DESCRIPTION	KEY NO.	PART NO.	DESCRIPTION
1	183496X479	Upper Handle	30	193126X004	Axle Arm Assembly, Rear, RH
2	151721X479	Lower Handle	31	87877	Selector Knob
3	146771	Control Bar	32	175060X004	Selector Spring
4	183567	Engine Zone Control Cable	33	73800500	Nut, Hex, Nylock 5/16-18
5	191574	Handle Bolt	34	193127X004	Axle Arm Assembly, Rear, LH
6	189713X428	Handle Knob	36	184193	Bolt, Rear Door
7	51793	Hairpin Cotter	40	188784	Mounting Bracket, Debris Shield
8	66426	Wire Tie	41	192325	Screw, Debris Shield
9	180479	Kit, Rear Door (Includes Key Numbers 16 and 17)	43	188784	Debris Shield
10	128415	Pop Rivet	44	176710	Kit, Lawn Mower Housing (Includes Key Numbers 11, 12 and 45)
11	175069X479	Support Bracket, LH	45	107339X	Danger Decal
12	175070X479	Support Bracket, RH	46	189179	Blade Adapter / Pulley
13	17060410	Screw, Tapping 1/4-20 x 5/8	47	189028	Blade, 21"
14	175576X428	Handle Bracket Assembly, LH	48	851074	Hardened Washer
15	175577X428	Handle Bracket Assembly, RH	49	850263	Helical Washer
16	180071	Spring, Rear Door, LH	50	851084	Hex Head Machine Screw, Grade 8, 3/8-24 x 1-3/8
17	180072	Spring, Rear Door, RH	59	175071	Discharge Deflector
18	132004	Nut, Hex 1/4-20	60	175735	Hinge Bracket
19	194788	Rope Guide	61	193000	Spring
20	189005	Rear Skirt	62	175650	Rod, Hinge
21	88652	Hinge Screw 1/4-20 x 1-1/4	63	73800400	Keps Locknut 1/4-20
24	---	Engine, Briggs & Stratton, Model Number 125K02 (For engine service and replacement parts, call Briggs & Stratton at 1-800-233-3723)	64	175066	Mulcher Door
25	150406	Hex Head Thread Rolling Screw 3/8-16 x 1-1/8	96	197991	Clip, Cable
26	145212	Hex Flange Nut	--	162300	Warning Decal (not shown)
27	193906X421	Wheel & Tire Assembly, Rear, 12"	--	193733	Operator's Manual, English
28	160828	Shoulder Bolt 5/16-18 x 1-21/64	--	193736	Operator's Manual, French
			--	404222	Replacement Parts Manual, English / French

NOTE: All component dimensions given in U.S. inches. 1 inch = 25.4 mm.

IMPORTANT: Use only Original Equipment Manufacturer (O.E.M.) replacement parts. Failure to do so could be hazardous, damage your lawn mower and void your warranty.

ROTARY LAWN MOWER - - MODEL NUMBER PR675Y21RHH (MFG. ID. NO. 96142003000)



ROTARY LAWN MOWER - - MODEL NUMBER **PR675Y21RHH** (MFG. ID. NO. 96142003000)

KEY NO.	PART NO.	DESCRIPTION	KEY NO.	PART NO.	DESCRIPTION
1	184588	Control Cable Assembly	54	402460	Grassbag
2	191039	Bearing, Wheel Adjuster	55	175739	Driveshaft Cover
3	175262	Pan Head Tapping Screw #10-24 x 2-3/4	57	194643	Frame, Grassbag
4	158755	Hex Washer Head Screw 1/4-20 x 2.12	60	183497	* Case, Lower
5	175436	V-Belt	61	183498	* Case, Upper
6	150495	Spring Retainer	62	183499	Gear, 27 Teeth
7	191730	Locknut, Hex #10-24	63	183500	Lever, Clutch
9	83923	Nut, Hex, Flangelock	64	183501	Spring, Return
11	193912X421	Wheel & Tire Assembly	65	183502	Shaft, Input
12	12000058	E-Ring	66	183503	Dog, Movable
13	750003	Pinion	67	183504	Dog, Fixed
14	189403	Dust Cover	68	183505	Wire, Formed
16	67725	Washer 1/2 x 1-1/2 x .134	69	183506	Bearing, Ball
18	87877	Selector Knob	70	183507	Fork, Shift
28	194404X428	Dive Cover	71	183508	Seal, Output Shaft
32	194126	Pulley, Drive	72	183509	Washer
35	195110	Kit, Wheel Adjuster, LH (Includes Knob and Bearing)	73	183510	Seal, Case
36	194935	Gear Case Assembly, Complete	74	183511	Bushing
38	73800400	Locknut, Hex 1/4-20	75	196613	Shaft, Output
40	137090	Spring	76	183513	Screw
41	195107	Kit, Wheel Adjuster, RH (Includes Knob and Bearing)	77	183514	Seal, Input Shaft

* Use Dow Corning #709 to reseal Gear Case Halves.

NOTE: All component dimensions given in U.S. inches. 1 inch = 25.4 mm.

IMPORTANT: Use only Original Equipment Manufacturer (O.E.M.) replacement parts. Failure to do so could be hazardous, damage your lawn mower and void your warranty.