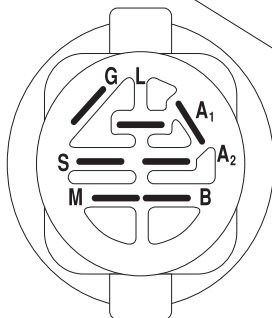
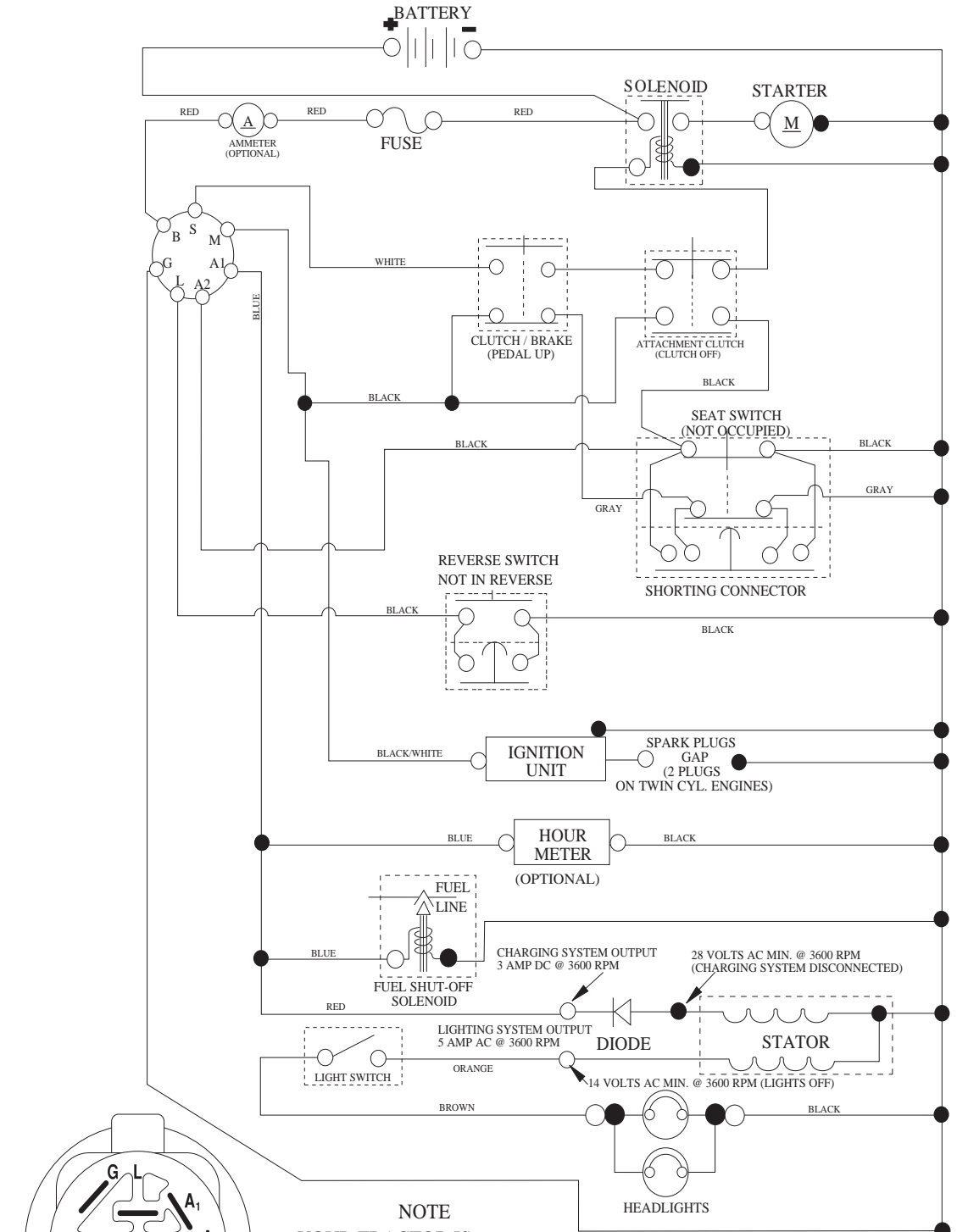


TRACTOR - - MODEL NUMBER PXT16542 (96016001700), PRODUCT NO. 960 16 00-17 SCHEMATIC

SCH03



IGNITION SWITCH

POSITION	CIRCUIT	"MAKE"
OFF	M+G+A1	
RUN/OVERRIDE	B+A1	
RUN	B+A1	L+A2
START	B + S + A1	

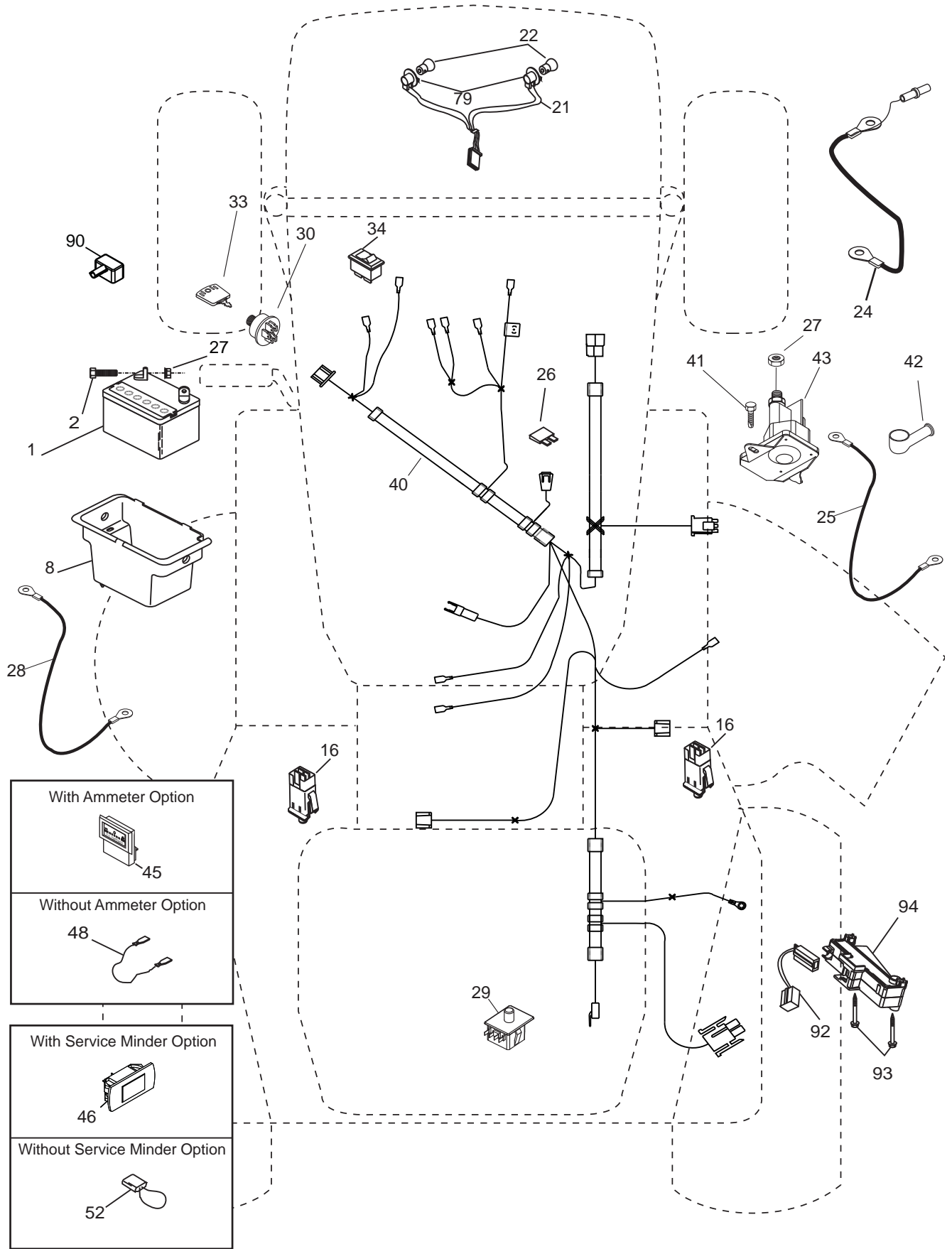
NOTE
YOUR TRACTOR IS EQUIPPED WITH A SPECIAL ALTERNATOR SYSTEM. THE LIGHTS ARE NOT CONNECTED TO THE BATTERY, BUT HAVE THEIR OWN ELECTRICAL SOURCE. BECAUSE OF THIS, THE BRIGHTNESS OF THE LIGHTS WILL CHANGE WITH ENGINE SPEED. AT IDLE THE LIGHTS WILL DIM. AS THE ENGINE IS SPEEDED UP, THE LIGHTS WILL BECOME THEIR BRIGHTEST.



WIRING INSULATED CLIPS
NOTE: IF WIRING INSULATED CLIPS WERE REMOVED FOR SERVICING OF UNIT, THEY SHOULD BE RE-INSTALLED TO PROPERLY SECURE YOUR WIRING.

**TRACTOR - - MODEL NUMBER PXT16542 (96016001700), PRODUCT NO. 960 16 00-17
ELECTRICAL**

L02

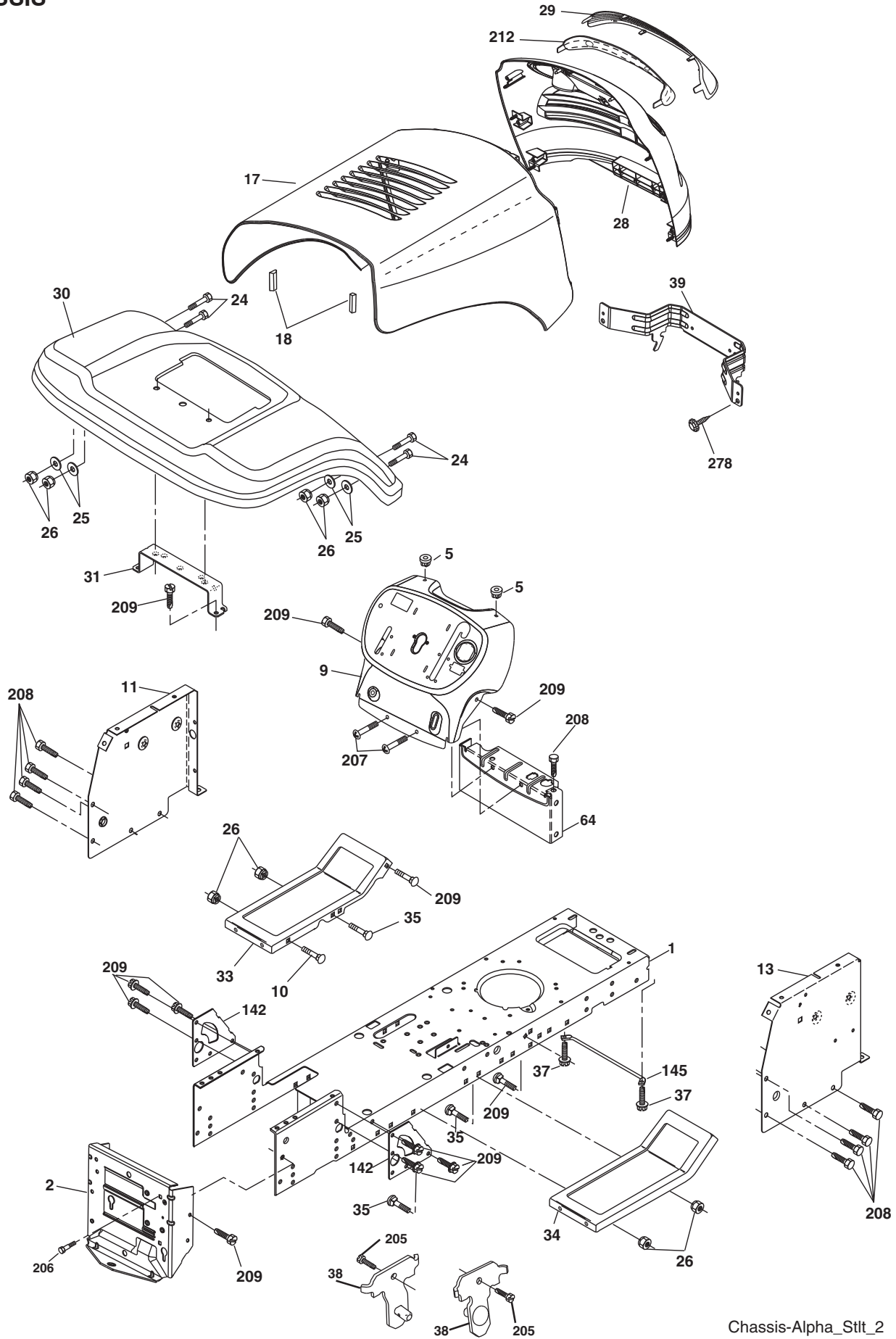


**TRACTOR - - MODEL NUMBER PXT16542 (96016001700), PRODUCT NO. 960 16 00-17
ELECTRICAL**

KEY NO.	PART NO.	DESCRIPTION
1	163465	Battery
2	74760412	Bolt Hex Hd 1/4-20 unc x 3/4
8	176689	Box Battery
16	176138	Switch Interlock
21	175688	Harness Asm Light w/4152j
22	4152J	Bulb Light #1156
24	421299	Cable Battery 6 Ga. 11" Red
25	421297	Cable Battery
26	175158	Fuse 20 AMP
27	73510400	Nut Keps Hex 1/4-20 unc
28	421298	Cable Ground 6 Ga. 12" Black
29	192749	Switch Seat
30	193350	Switch Ign
33	411933	Key/Chain
34	110712X	Switch Light/Reset
40	197428	Harness Ign
41	71110408	Bolt Blk Fin Hex 1/4-20
42	131563	Cover Terminal Red
43	192507	Solenoid
48	140844	Adapter Ammeter
52	141940	Protection Wire Loop
79	175242	Socket Asm. Bulb Twistlock
90	180449	Cover Terminal Battery
92	196615	Harness Pigtail
93	192540	Screw Plastite 10-14 x 2.0
94	191834	Module Reverse ROS

NOTE: All component dimensions given in U.S. inches
1 inch = 25.4 mm.

TRACTOR - - MODEL NUMBER PXT16542 (96016001700), PRODUCT NO. 960 16 00-17
CHASSIS



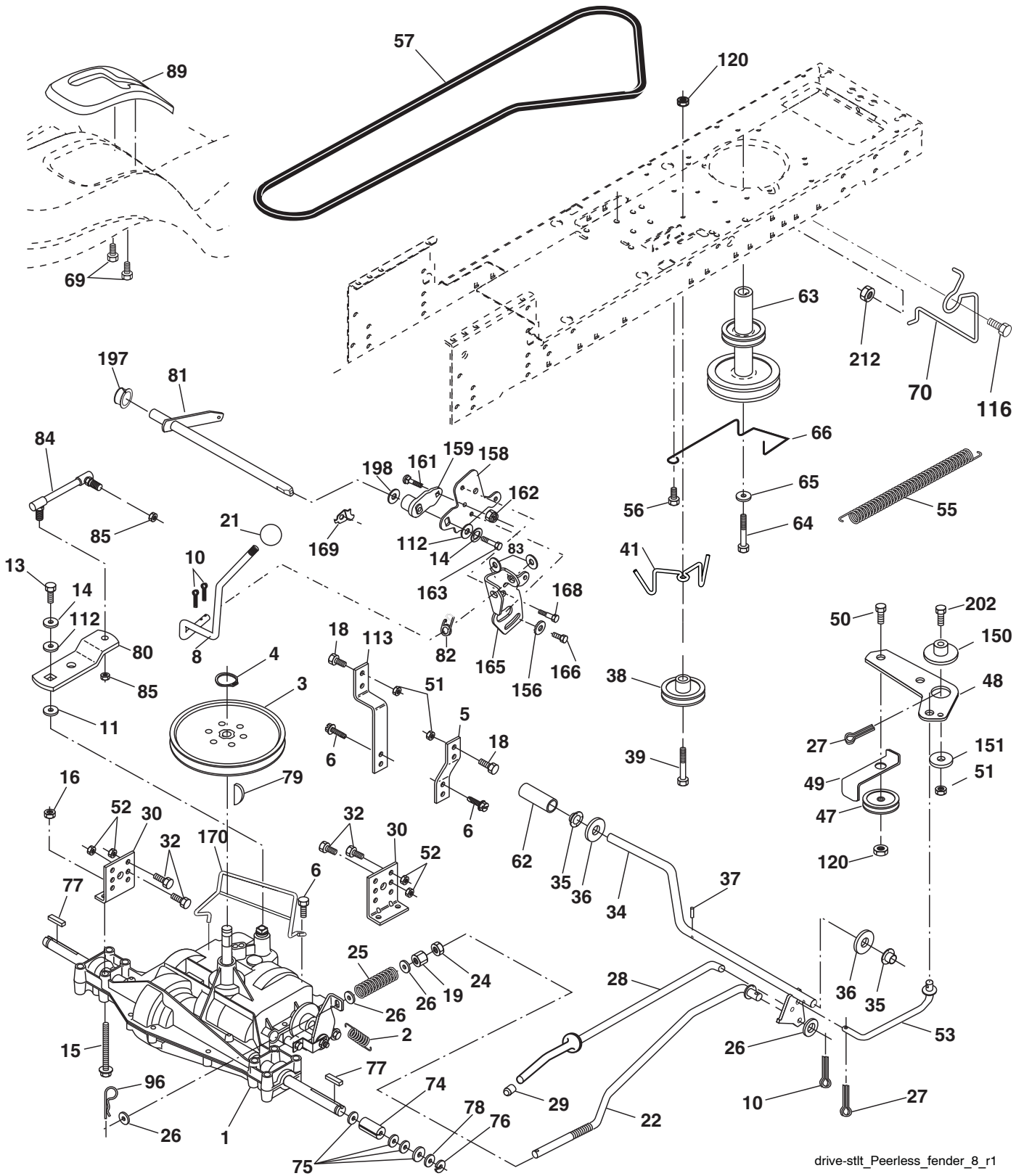
Chassis-Alpha_Stlt_2

**TRACTOR - - MODEL NUMBER PXT16542 (96016001700), PRODUCT NO. 960 16 00-17
CHASSIS**

KEY NO.	PART NO.	DESCRIPTION
1	174619	Chassis
2	176554	Drawbar, Stretch
5	155272	Bumper, Hood/Dash
9	193510X010	Dash
10	72140608	Bolt, Carriage 3/8-16 x 1
11	174996	Panel Dash LH
13	172105X010	Panel Silkscr Dash RH
17	187559X505	Hood
18	184921	Bumper Hood
24	74780616	Bolt Fin Hex 3/8-16 unc x 1 Gr. 5
25	19131312	Washer 13/32 x 13/16 x 12 Ga.
26	73800600	Nut Lock Hex w/Ins 3/8-16 unc
28	187598	Grille/Lens Asm. (Include Key Nos. 29 and 212)
29	187567X599	Lens Grille Bar
30	192526X505	Fender
31	136619	Bracket Fender Repl 109873X
33	179716X505	Footrest Pnt LH
34	179717X505	Footrest Pnt RH
35	72110606	Bolt Rdhd Sht Sqnk 3/8-16 x 3/4
37	17490508	Screw Thdrol 5/16-18 x 1/2 TYT
38	175710	Bracket Asm. Pivot Mower
39	187568	Bracket Pivot
64	154798	Dash Lower
142	175702	Plate Reinforcement
145	409167	Rod Pivot Chassis/Hood
205	17490608	Screw Thdrol 3/8-16 x 1/2
206	170165	Bolt Shoulder 5/16-18
207	17670508	Screw 5/16-18 x 1/2
208	17670608	Screw Thdrol 3/8-16 x 1/2
209	17000612	Screw Hex Wsh Thdrol 3/8-16
212	187569	Insert Lens Reflect
278	416358	Screw #10 x 0.750 BOS Thread
---	5479J	Plug Button Blk 359 Dia Choke
--	187801	Plug Dome Plastic

NOTE: All component dimensions given in U.S. inches
1 inch = 25.4 mm.

TRACTOR - - MODEL NUMBER PXT16542 (96016001700), PRODUCT NO. 960 16 00-17
DRIVE



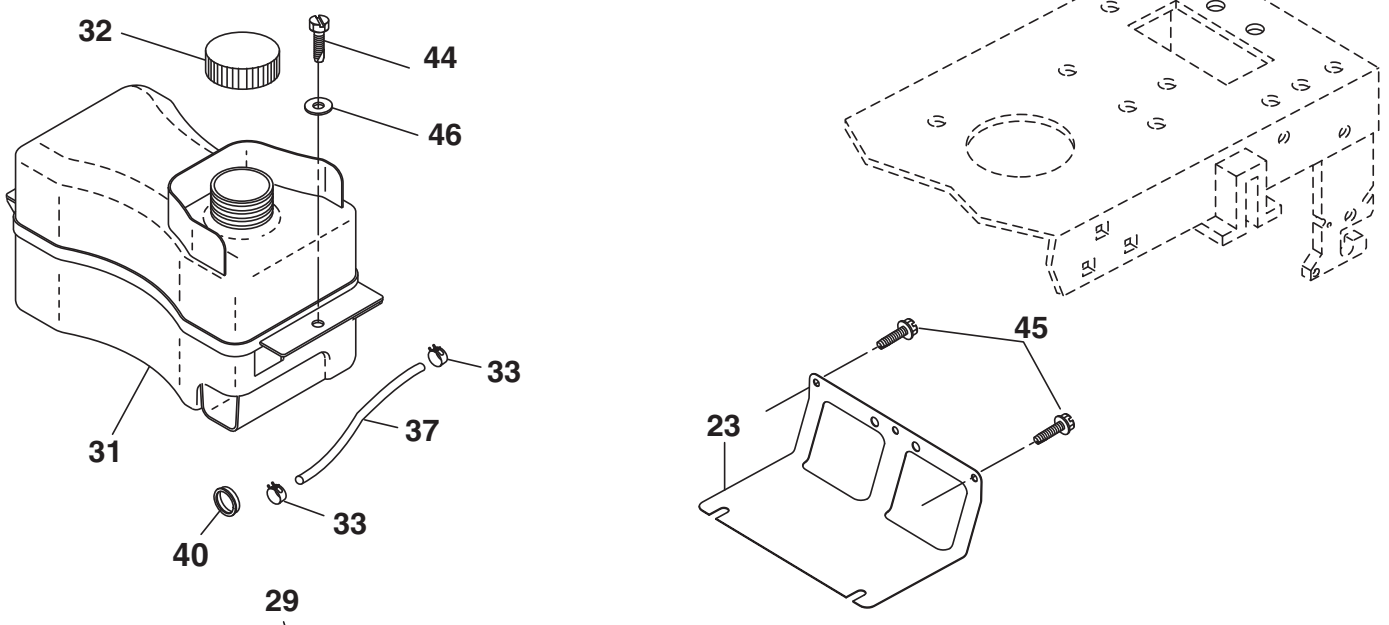
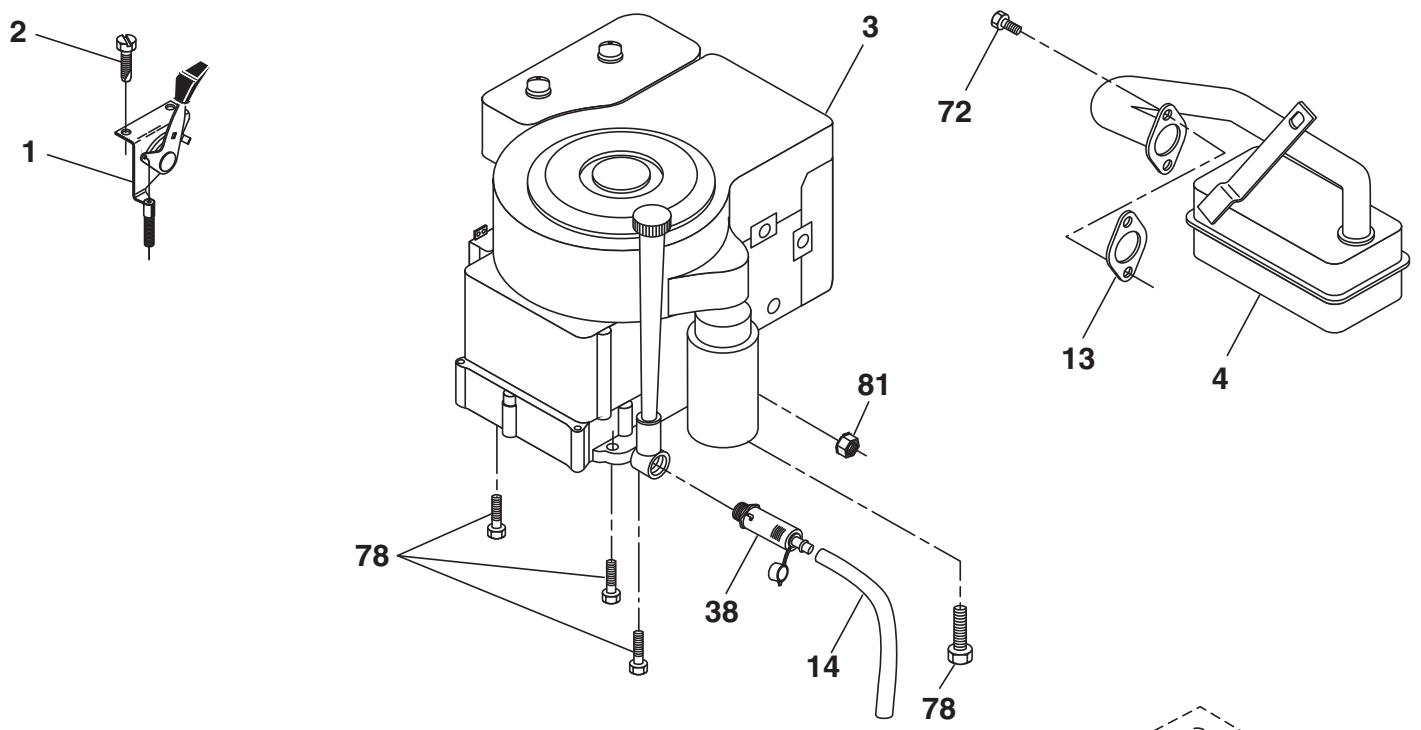
drive-stlt_Peerless_fender_8_r1

TRACTOR - - MODEL NUMBER PXT16542 (96016001700), PRODUCT NO. 960 16 00-17 DRIVE

KEY NO.	PART NO.	DESCRIPTION	KEY NO.	PART NO.	DESCRIPTION
1	-----	Transaxle Peerless 206-545C (Order parts from transaxle manufacturer)	63	175410	Engine Pulley
2	146682	Spring Return Brake T/a Zinc	64	173937	Bolt Hex
3	123666X	Pulley Transaxle 18" Tires	65	10040700	Washer Lock Hvy Hlcl Spr 7/16
4	12000028	Ring Retainer # 5100-62	66	154778	Keeper Belt Engine Foolproof
5	121520X	Strap Torque 30 Degrees	69	142432	Screw Hex wsh HiLo 1/4 x 1/2 unc
6	17060512	Screw 5/16-18 x 3/4	70	134683	Guide Belt Mower Drive RH
8	192706	Rod Shift Fender Adjust Lt	74	137057	Spacer Axle
10	76020416	Pin Cotter 1/8 x 1 Cad	75	121749X	Washer 25/32 x 1 1/4 x 16 Ga.
11	105701X	Washer Plate Shf 388 Sq Hole	76	12000001	E-ring #5133-75
13	74550412	Bolt 1/4-28 unF Gr. 8 w/Patch	77	123583X	Key Square 2 0 x 1845/ 1865
14	10040400	Washer Lock Hvy Helical	78	121748X	Washer 25/32 x 1-5/8 x 16 Ga.
15	74490544	Bolt Hex FLGHD 5/16-18 Gr. 5	79	2228M	Key Woodruff #9 3/16 x 3/4
16	73800500	Nut Lock Hex w/ins 5/16-18	80	131486	Arm Shift
18	74780616	Bolt, Fin Hex 3/8-16 unc x 1 Gr. 5	81	165594	Shaft Asm Cross Tapered PMST/20
19	73800600	Nut Lock 3/8-16 unc	82	165711	Spring Torsion T/a
21	106933X	Knob	83	19171216	Washer 17/32 x 3/4 x 16 Ga.
22	130804	Rod Brake Blk Zinc 26 840	84	166228	Link Transaxle
24	73350600	Nut Hex Jam 3/8-16 unc	85	150360	Nut Lock Center 1/4 - 28 FNTHD
25	106888X	Spring Rod Brake 2 00 Zinc	89	192053X428	Console Shift STLT
26	19131316	Washer 13/32 x 13/16 x 16 Ga.	96	4497H	Retainer Spring 1"
27	76020412	Pin Cotter 1/8 x 3/4 Cad	112	19091210	Washer 9/32 x 3/4 x 10 Ga.
28	175765	Rod Brake Parking LT/YT	113	127285X	Strap Torque LT
29	71673	Cap Brake Parking	116	72140608	Bolt Rdhd Sq Neck 3/8-16 x 1
30	174973	Bracket Mtg Transaxle	120	73900600	Nut Lock Flg. 3/8-16 unc
32	74760512	Bolt Hex Hd 5/16-18 unc x 3/4	150	175456	Spacer Retainer
34	175578	Shaft Asm Pedal Foot	151	19133210	Washer 13/32 x 2 x 10
35	120183X	Bearing Nylon Blk 629 Id	156	166002	Washer Srrted 5/16ID x 1.125
36	19211616	Washer 21/32 x 1 x 16 Ga.	158	165589	Bracket Shift Mount
37	1572H	Pin Roll 3/16 x 1"	159	183900	Hub Tapered Flange Shift Lt
38	179114	Pulley Composite Flat	161	72140406	Bolt Rdhd Sqnk 1/4-20 x 3/4
39	72110622	Bolt RDHD 3/8-16 unc x 2-3/4 Gr. 5	162	73680400	Nut Crownlock 1/4-20 unc
41	175556	Keeper Belt Flat Idler	163	74780416	Bolt Hex Fin 1/4-20 unc x 1 Gr. 5
47	127783	Pulley Idler V Groove Plastic	165	165623	Bracket Pivot Lever
48	154407	Bellcrank Asm	166	17490510	Screw 5/16-18 x 5/8
49	123205X	Retainer Belt Style Spring	168	165492	Bolt Shoulder 5/16-18 x .561
50	72110612	Bolt Carr. Sh. 3/8-16 x 1-1/2 Gr. 5	169	165580	Plate Fastening
51	73680600	Nut Crownlock 3/8-16 unc	170	187414	Keeper Belt Transaxle Gear
52	73680500	Nut Crownlock 5/16-18 unc	197	169613	Nyliner Snap-In
53	199652	Link Clutch	198	169593	Washer Nyliner
55	105709X	Spring Return Clutch 6 75	202	72110614	Bolt RdHd 3/8-16 unc x 1-3/4 Gr. 5
56	17060620	Screw 3/8-16 x 1-1/4	212	145212	Nut Hexflange Lock
57	138255	V-Belt Ground Drive			
62	8883R	Cover Pedal Blk Round			

NOTE: All component dimensions given in U.S. inches
1 inch = 25.4 mm

**TRACTOR - - MODEL NUMBER PXT16542 (96016001700), PRODUCT NO. 960 16 00-17
ENGINE**



OPTIONAL EQUIPMENT
Spark Arrester

engine-stlt_bs_9

**TRACTOR - - MODEL NUMBER PXT16542 (96016001700), PRODUCT NO. 960 16 00-17
ENGINE**

KEY NO.	PART NO.	DESCRIPTION
1	170551	Control Th/ch Flag
2	17720408	Screw Hex Thd Cut 1/4-20 x 1/2
3	-----	Engine, B&S 31C707 (Order parts from engine manufacturer)
4	137352	Muffler Exhaust B&S
13	165291	Gasket Eng 1 313 Id Tin Plated
14	148456	Tube Drain Oil Easy
23	169837	Shield BRN/DBR Guard
29	137180	Kit Spark Arrestor (Flat Scrn)
31	407516	Tank Fuel Front
32	197725	Cap Asm Fuel
33	123487X	Clamp Hose
37	401137	Line Fuel
38	181654	Plug Drain Oil
40	124028X	Bushing Snap Nyl Blk Fuel Line
44	17670412	Screw Thdrol 1/4-20 x 3/4
45	17000612	Screw Hex Wsh Thdrol 3/8-16
46	19091416	Washer 9/32 x 7/8 x 16 Ga.
72	192334	Screw Socket Head 5/16-18 x 3/4
78	17060620	Screw 3/8-16 x 1-1/4
81	73510400	Nut Keps Hex 1/4-20 unc

NOTE: All component dimensions given in U.S. inches
1 inch = 25.4 mm

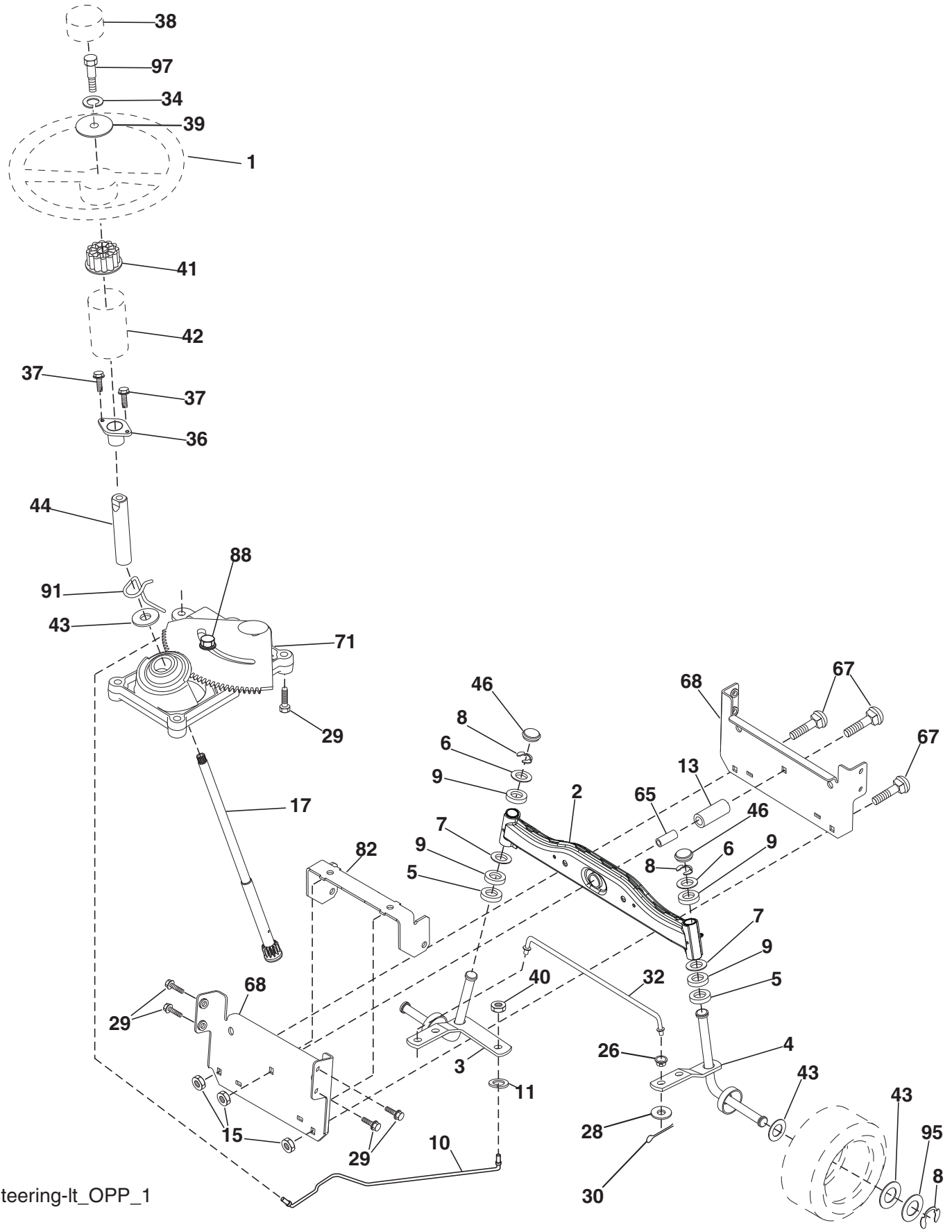
For engine service and replacement parts, call the toll free number for your engine manufacturer listed below:

Briggs & Stratton 1-800-233-3723

Engine Power Rating Information

The gross power rating for individual gas engine models is labeled in accordance with SAE (Society of Automotive Engineers) code J11940 (Small Engine Power & Torque Rating Procedure), and rating performance has been obtained and corrected in accordance with SAE J1995 (Revision 2002-5). Actual gross engine power will be lower and is affected by, among other things, ambient operating conditions and engine-to-engine variability. Given both the wide array of products on which engines are placed and the variety of environmental issues applicable to operating the equipment, the gas engine will not develop the rated gross power when used in a given piece of power equipment (actual "on-site" or net horsepower). This difference is due to a variety of factors including, but not limited to, accessories (air cleaner, exhaust, charging, cooling, carburetor, fuel pump, etc.), application limitations, ambient operating conditions (temperature, humidity, altitude), and engine-to-engine variability. Due to manufacturing and capacity limitations, Briggs & Stratton may substitute an engine of higher rated power for this Series engine.

**TRACTOR - - MODEL NUMBER PXT16542 (96016001700), PRODUCT NO. 960 16 00-17
STEERING**



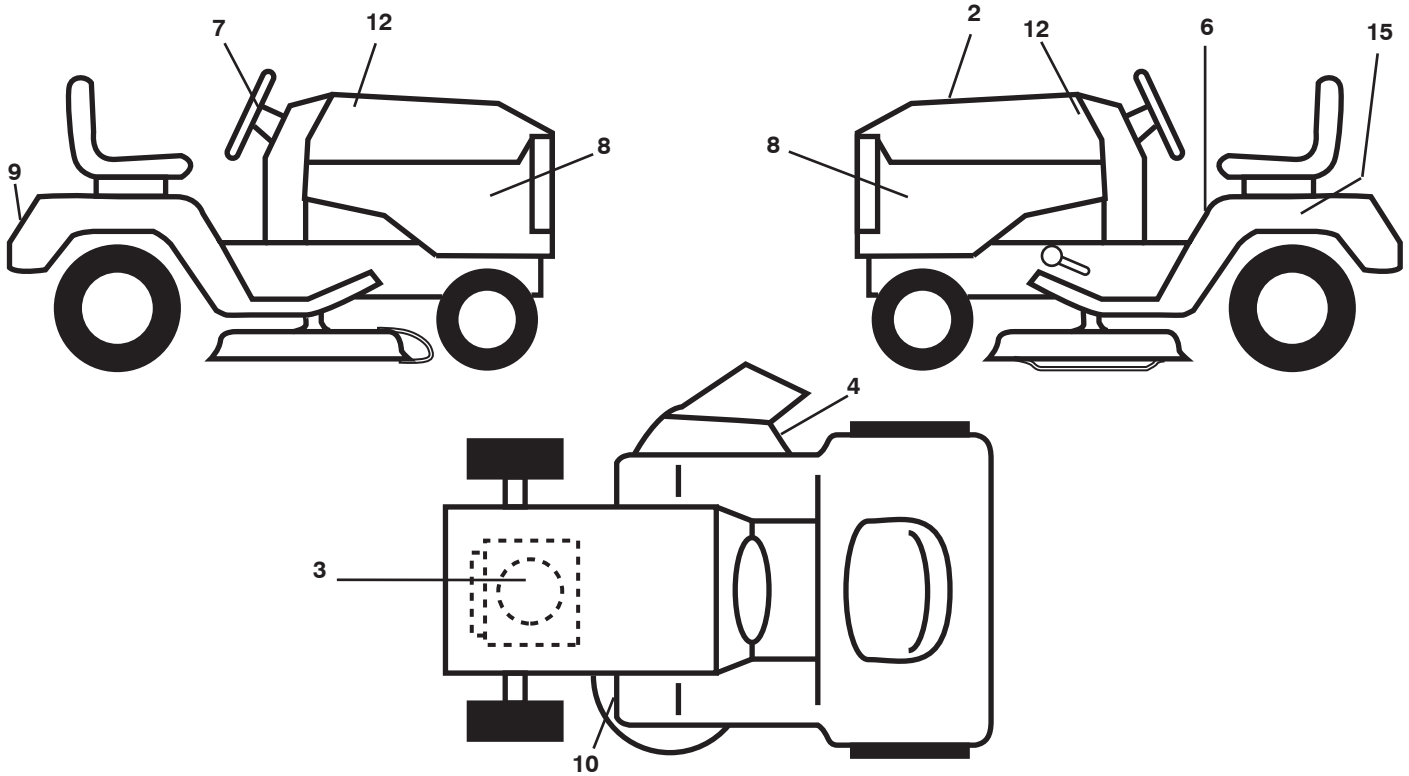
Steering-It_OPP_1

**TRACTOR - - MODEL NUMBER PXT16542 (96016001700), PRODUCT NO. 960 16 00-17
STEERING**

KEY NO.	PART NO.	DESCRIPTION
1	186780	Wheel Steering
2	418168	Axle Asm
3	169840	Spindle Asm LH
4	169839	Spindle Asm RH
5	6266H	Washer Thrust .75 x 1.230
6	121748X	Washer 25/32 x 1-5/8 x 16 Ga.
7	19272016	Washer 27/32 x 1-1/4 x 16 Ga.
8	12000029	Ring Klip #t5304-75
9	3366R	Bearing Col Strg Blk
10	175121	Link Drag
11	10040600	Washer Lock Hvy Hlcl Spr 3/8
13	136518	Spacer Brace Axle
15	145212	Hexflange Lock
17	411386	Shaft Asm Strg
26	126847X	Bushing Link Drag Blk LR
28	19131416	Washer 13/32 x 7/8 x 16 Ga.
29	17000612	Screw 3/8-16 x 3/4
30	76020412	Pin Cotter 11/32 ID x 2 3/8 OD x 12 Ga.
32	192757	Rod Tie Wire Form 19 75 Mech
34	10040500	Washer Lock 5/16
36	155099	Bushing Strg 5/8 Id Dash
37	152927	Screw
38	192916	Cap Wheel Steer
39	19113812	Washer 11/32 x 2 3/8 OD x 12 Ga.
40	73540600	Nut Crownlock 3/8-24
41	186737	Adaptor Wheel Strg
42	145054X428	Boot Dash Mtl Steering Blk
43	121749X	Washer 25/32 x 1 1/4 x 16 Ga.
44	190752	Extension Steering
46	121232X	Cap Spindle Fr Top Blk
65	414736	Spacer Brace Axle
67	72110618	Bolt RDHD SQNK 3/8-16 x 2-1/4
68	169827	Brace Axle
71	175146	Steering Asm.
82	199978	Bracket Susp Chassis Front
88	175118	Bolt Shoulder 7/16-20
91	175553	Clip Steering
95	188967	Washer Harden .793 x 1.637 x 060
97	74780564	Bolt 5/16-18 x 4 Gr.5

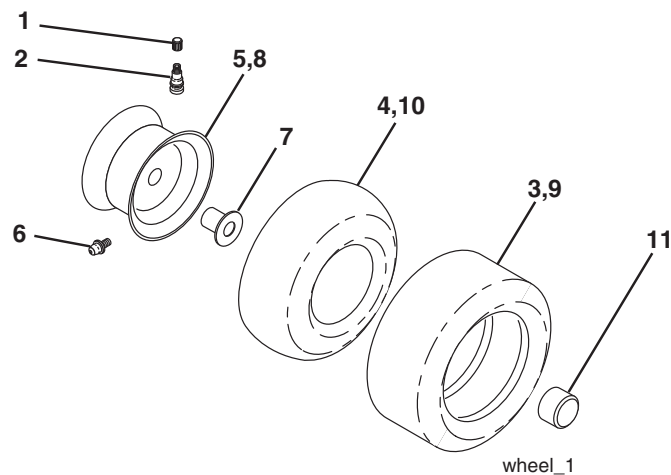
NOTE: All component dimensions given in U.S. inches
1 inch = 25.4 mm.

**TRACTOR - - MODEL NUMBER PXT16542 (96016001700), PRODUCT NO. 960 16 00-17
DECALS**



KEY NO.	PART NO.	DESCRIPTION	KEY NO.	PART NO.	DESCRIPTION
2	194691	Decal, Replacement	12	423915	Decal, Hood
3	408818	Decal, Engine HP	15	145005	Decal, Caution, Battery
4	170563	Decal, Warning	--	179769X428	Pad Foot Rest RH
6	411657	Decal, Fender Warning (E&F)	--	179768X428	Pad Foot Rest LH
7	424077	Decal, Ins Str Wh	--	42380	Decal, Hood E85 Warning
8	423917	Decal, Side Panel	--	138311	Decal, Handle Lft Height Adj.
9	423918	Decal, Fender	--	424363	Manual, Operator's, English & Spanish
10	160396	Decal, V-Belt Sch.	--	423307	Manual, Parts, English

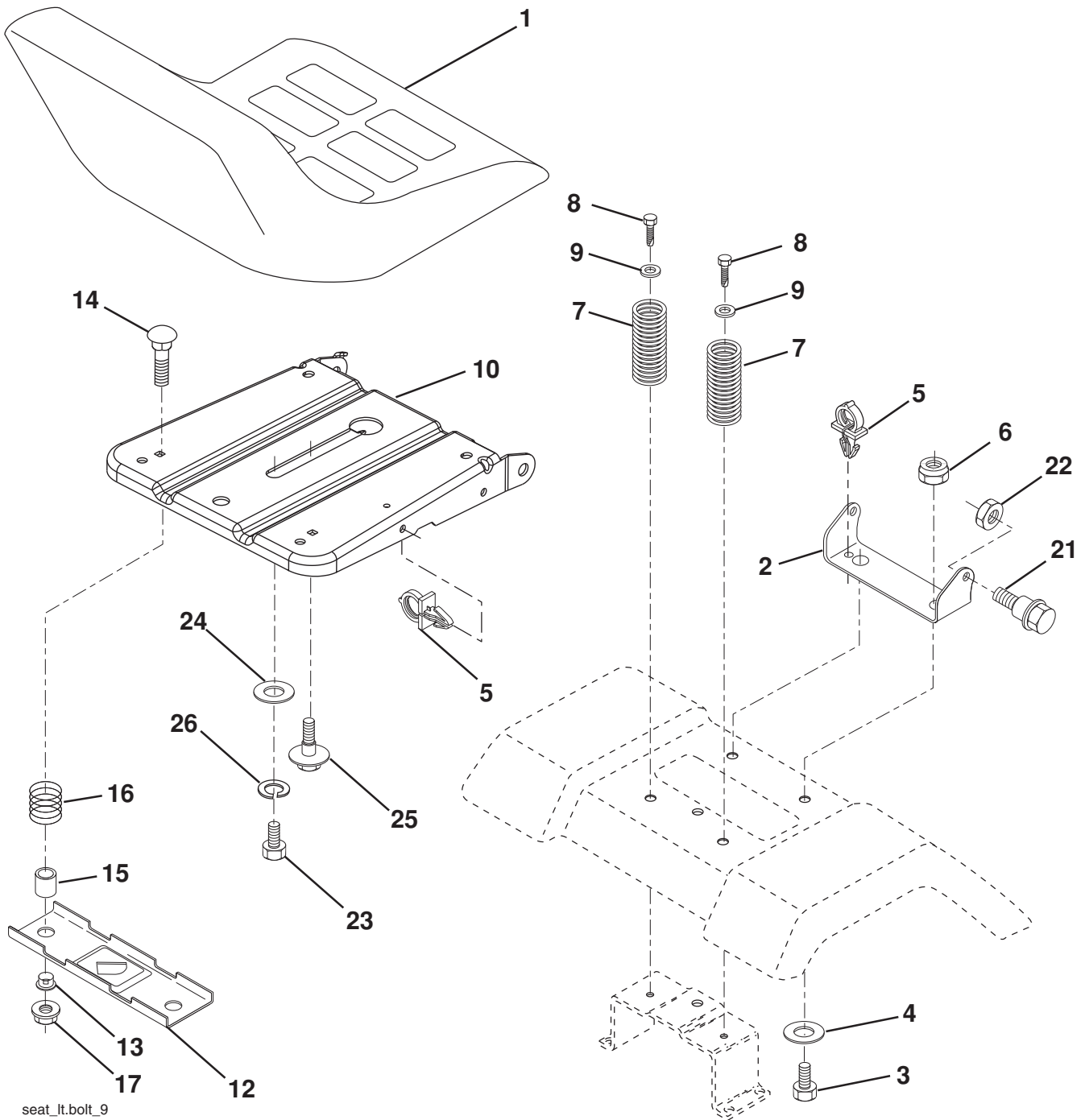
WHEELS & TIRES



KEY NO.	PART NO.	DESCRIPTION
1	59192	Cap, Tire Valve
2	65139	Stem, Valve
3	106222X	Tire, Front
4	59904	Tube, Front (Service item only)
5	106732X643	Rim Assembly, 6" Front
6	278H	Fitting, Grease (Front wheel only)
7	9040H	Bearing, Flange (Front wheel only)
8	106108X643	Rim Assembly, 8" Rear
9	420531	Tire, Rear
10	7152J	Tube, Rear (Service item only)
11	104757X643	Cap, Hub Axle
--	144334	Sealant, Tire (10 oz. Tube)

NOTE: All component dimensions given in U.S. inches
1 inch = 25.4 mm

TRACTOR - - MODEL NUMBER PXT16542 (96016001700), PRODUCT NO. 960 16 00-17 SEAT



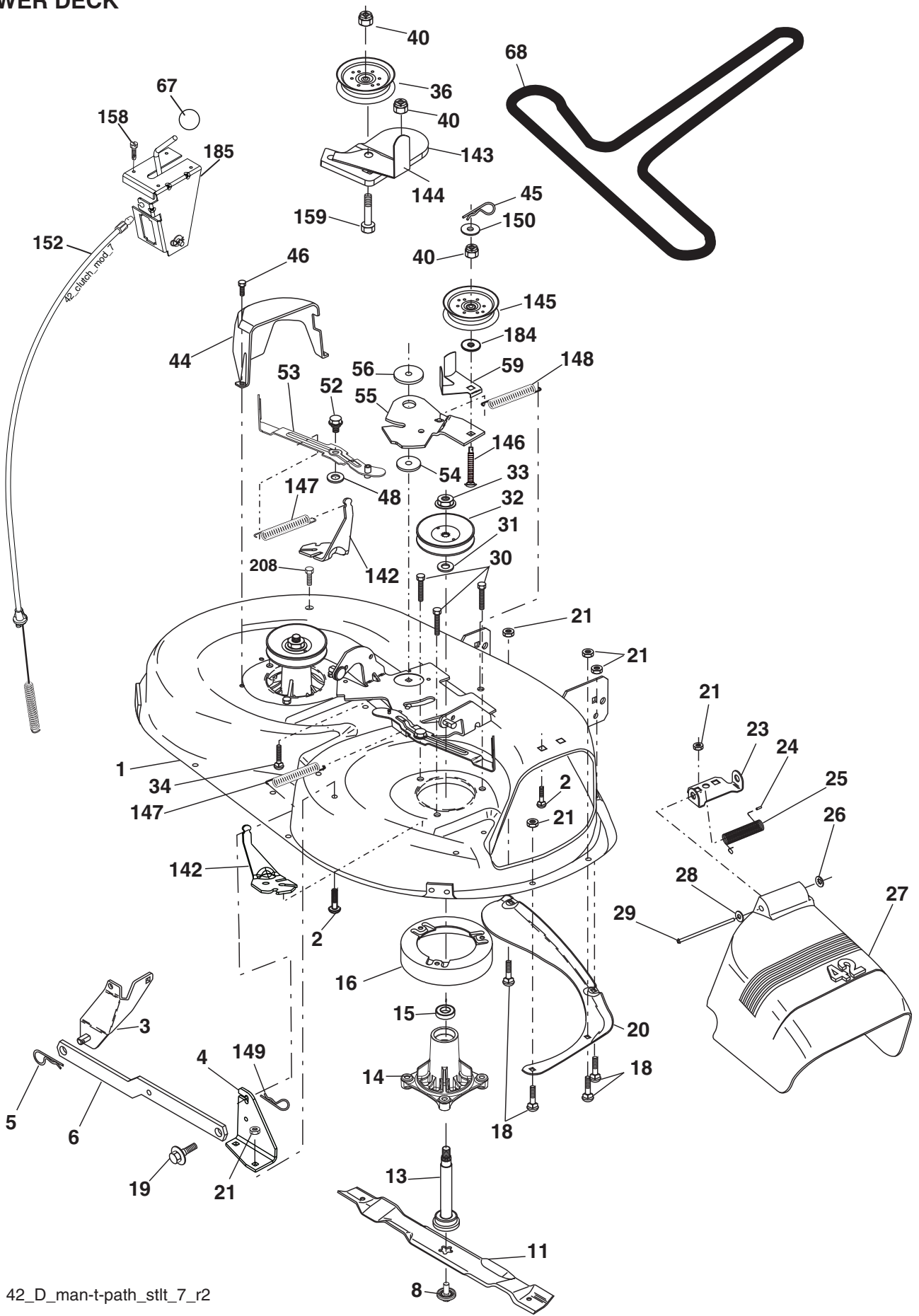
seat_lt.bolt_9

KEY NO.	PART NO.	DESCRIPTION
1	401042	Seat
2	140551	Bracket Seat Pivot
3	71110616	Bolt Hex 3/8 - 16 x 1
4	19131610	Washer 3/32 x 1 x10 Ga.
5	145006	Clip Push-In Hinged
6	73800600	Nut Lock Hex w/Ins 3/8 - 16
7	124181X	Spring Seat Cprsn 2 250 Blk Zi
8	17000616	Screw 3/8-16 x 1.5
9	19131614	Washer 13/32 x 1 x 14 Ga.
10	195530	Pan Pnt Seat
12	174648	Bracket Pnt Mounting Switch
13	121248X	Bushing Snap Blk Nyl
14	72050412	Bolt Rdhd Sht Nk 1/4 - 20 x 1 -1/2

KEY NO.	PART NO.	DESCRIPTION
15	134300	Spacer Split .28 x .96
16	121250X	Spring Cprsn
17	123976X	Nut Lock 1/4 Lge Flg
21	171852	Bolt Shoulder 5/16-18 unc-2A
22	73800500	Nut Lock Hex w/Ins 5/16 - 18
23	71110814	Bolt Hex
24	19171912	Washer 17/32 x 1-3/16 x 12 Ga.
25	127018X	Bolt Shoulder 5/16-18 x .62
26	10040800	Washer Lock Hvy Hlcl Spr 1/2

NOTE: All component dimensions given in U.S. inches
1 inch = 25.4 mm.

**TRACTOR - - MODEL NUMBER PXT16542 (96016001700), PRODUCT NO. 960 16 00-17
MOWER DECK**



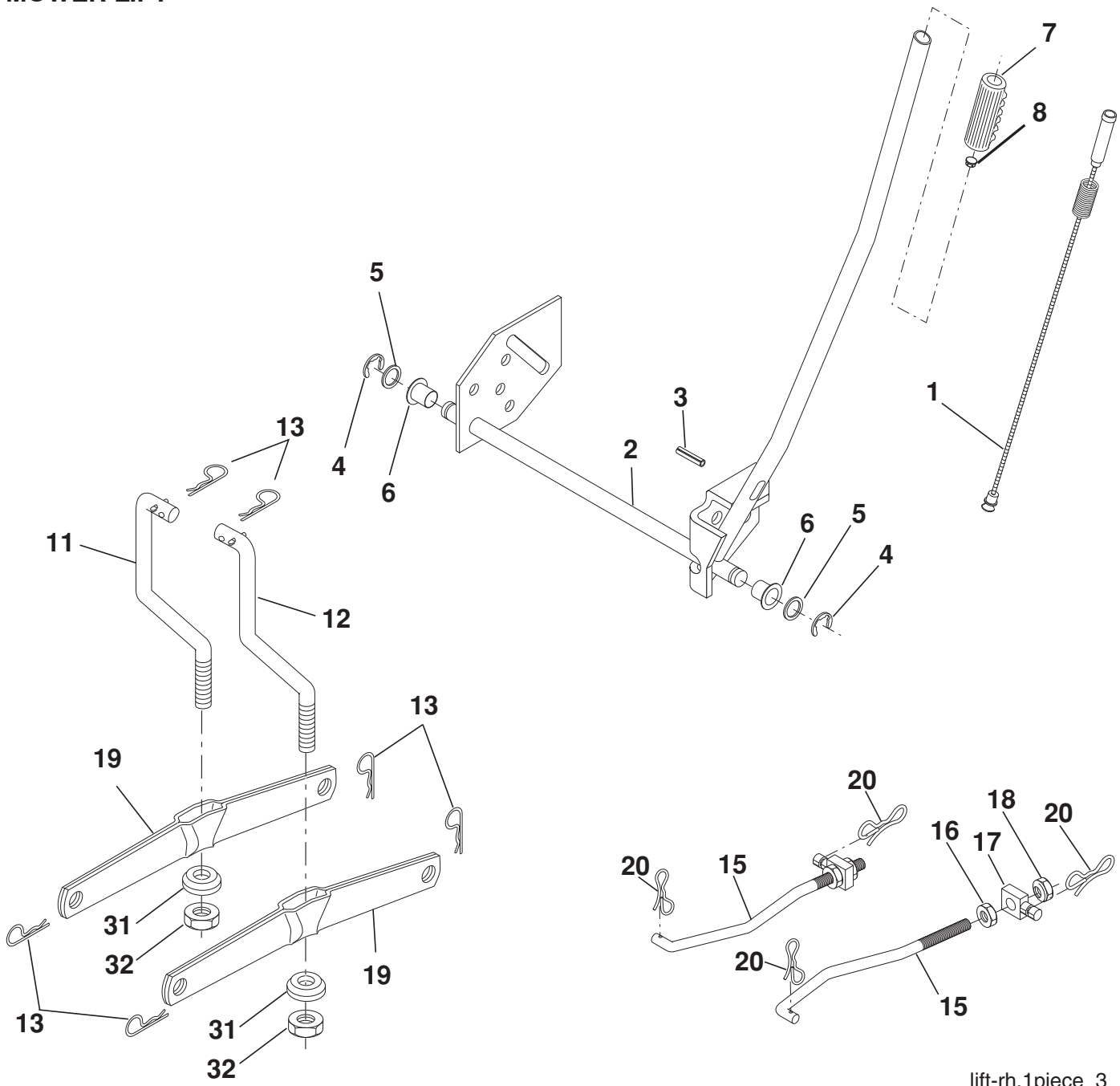
42_D_man-t-path_stlt_7_r2

**TRACTOR - - MODEL NUMBER PXT16542 (96016001700), PRODUCT NO. 960 16 00-17
MOWER DECK**

KEY NO.	PART NO.	DESCRIPTION	KEY NO.	PART NO.	DESCRIPTION
1	165892	Mower Deck Assembly, 42"	44	140088	Guard, Mandrel, LH
2	72140506	Bolt	45	4497H	Retainer
3	138017	Bracket Asm Fr. Sway Bar 3/42	46	137729	Screw, Thdrol 1/4-20 x 5/8 T
4	165460	Bracket Asm Deck 42" Sway Bar	48	133944	Washer, Hardened
5	4939M	Retainer Spring	52	139888	Bolt, Shoulder 5/16-18 unc
6	178024	Bar Sway Deck	53	184907	Arm Assembly, Pad, Brake
8	193003	Bolt/Washer Asm. 7/16-20 unf (The following Blades are available)	54	178515	Washer, Hardened
11	138971	Blade Mower 42" Hi-Lift (for bagging and discharging)	55	155046	Arm, Idler
--	134149	Blade, Mulching 42" Std (for mulching mowers only)	56	165723	Spacer, Retainer
--	139775	Blade Mulching 42" Premium (For better wear when mulching)	59	141043	Guard TUV Idler
13	192872	Shaft Asm. Mandrel	67	106932X	Knob Round
14	187281	Housing Mandrel	68	144959	V-Belt, 42" Mower
15	110485X	Bearing, Ball, Mandrel	142	195784	Anchor Spring Brake Mower
16	174493	Stripper, Mandrel Deck	143	157109	Bracket Arm Idler 42"
18	72140505	Bolt, Carriage 5/16-18 x 5/8	144	158634	Keeper Belt 42" Clutch Cable
19	132827	Bolt, Shoulder	145	165888	Pulley Idler Flat
20	159770	Baffle, Vortex	146	171977	Bolt Extension Idler
21	73680500	Nut	147	131335	Spring Extension
23	177563	Bracket, Deflector Mower 42"	148	169022	Spring Return Idler
24	105304X	Cap, Sleeve 80 x 112 Blk Mower	149	165898	Retainer Spring Yellow
25	123713X	Spring, Torsion, Deflector 2 52	150	19091210	Washer 9/32 x 3/4 x 10 Ga.
26	110452X	Nut, Push Phos & Oil	152	169676	Clutch Cable 42"
27	130968X428	Shield, Deflector 42" Blk	158	17720408	Screw Hex Thd Cut 1/4-20 x 1/2
28	19111016	Washer 11/32 x 5/8 x 16 Ga.	159	72140614	Bolt Rdhd Sqn 3/8-16 unc x 1-3/4
29	131491	Rod, Hinge 42" 6 75 w/G	184	19131410	Washer 13/32 x 7/8 x 10 Ga.
30	173984	Screw Thdrol	185	188234	Head Asm Cable Clutch\
31	187690	Washer, Spacer Mower Vented	208	17670608	Screw Thdrol 3/8 x 16 x 1/2
32	153535	Pulley, Mandrel	--	192870	Mandrel Assembly (Includes housing, shaft assembly, and bearing only - pulley/nut/washer and blade bolt/washers not included)
33	400234	Nut, Toplock	--	418031	Replacement Mower, Complete
34	72110612	Bolt Carr SH 3/8-16 x 1-1/2 Gr.5			
36	131494	Pulley, Idler, Flat			
40	73900600	Nut Lock 3/8-16			

NOTE: All component dimensions given in U.S. inches
1 inch = 25.4 mm

**TRACTOR - - MODEL NUMBER PXT16542 (96016001700), PRODUCT NO. 960 16 00-17
MOWER LIFT**



lift-rh.1piece_3

KEY NO.	PART NO.	DESCRIPTION
1	404981	Plunger Asm Lift Lever
2	159471	Shaft Asm Lift RH
3	105767X	Pin Groove 1 500 Zinc
4	12000002	E Ring #5133-62
5	19211621	Washer 21/32 x 1 x 21 Ga.
6	120183X	Bearing Nylon Blk 629 Id
7	109413X	Grip Handle
8	124526X	Button Plunger Black
11	139865	Link Lift LH Fixed Length
12	139866	Link Lift RH Fixed Length
13	4939M	Retainer Spring

KEY NO.	PART NO.	DESCRIPTION
15	173288	Link Front
16	73350800	Nut Jam Hex 1/2-13 unc
17	175689	Trunnion
18	73800800	Nut Lock w/Wsh 1/2-13 unc
19	139868	Arm Suspension Rear
20	194209	Pin Cotter 7/16 Bow Tie Lock
31	169865	Bearing Pvt Lift
32	73540600	Nut Crownlock 3/8-24

NOTE: All component dimensions given in U.S. inches
1 inch = 25.4 mm.