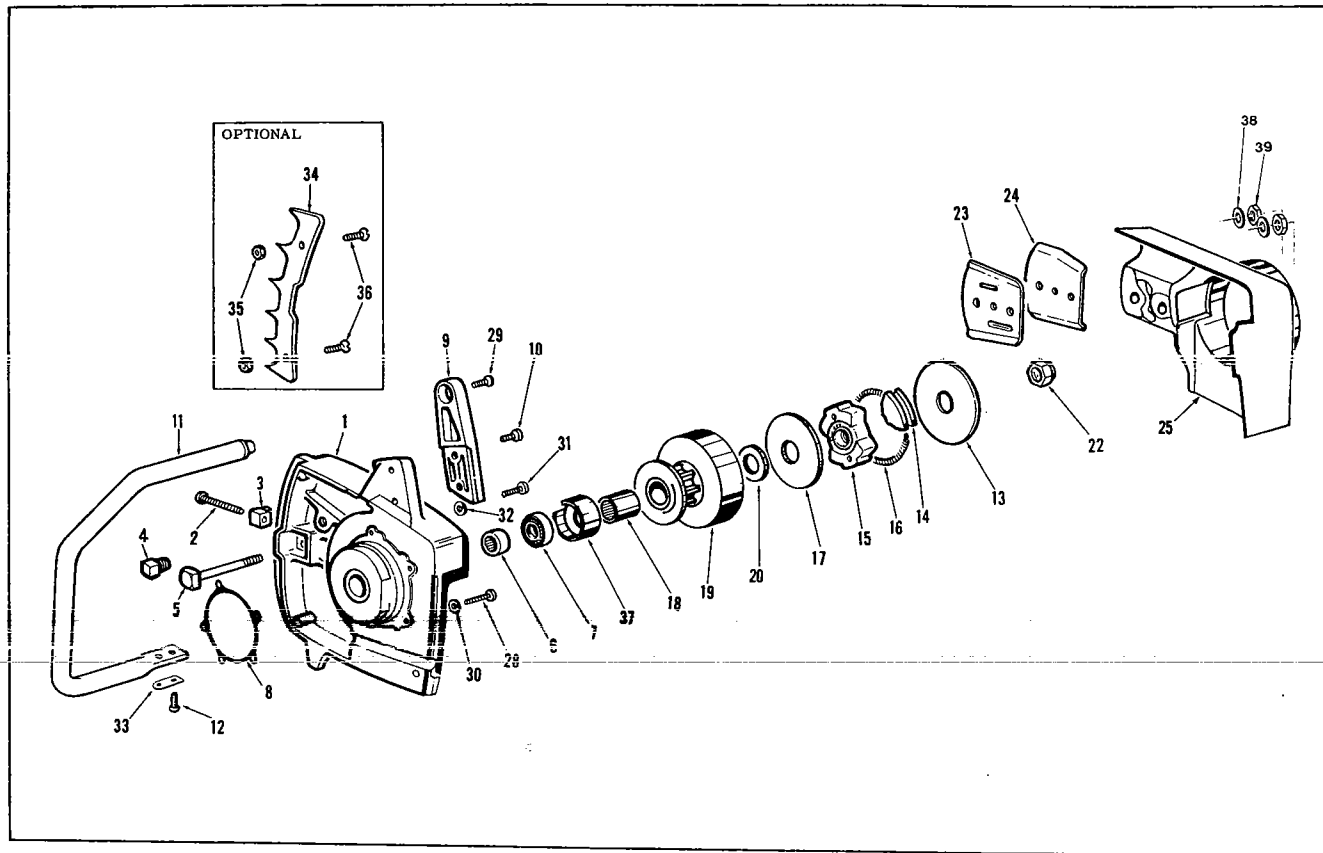


# model 1200A

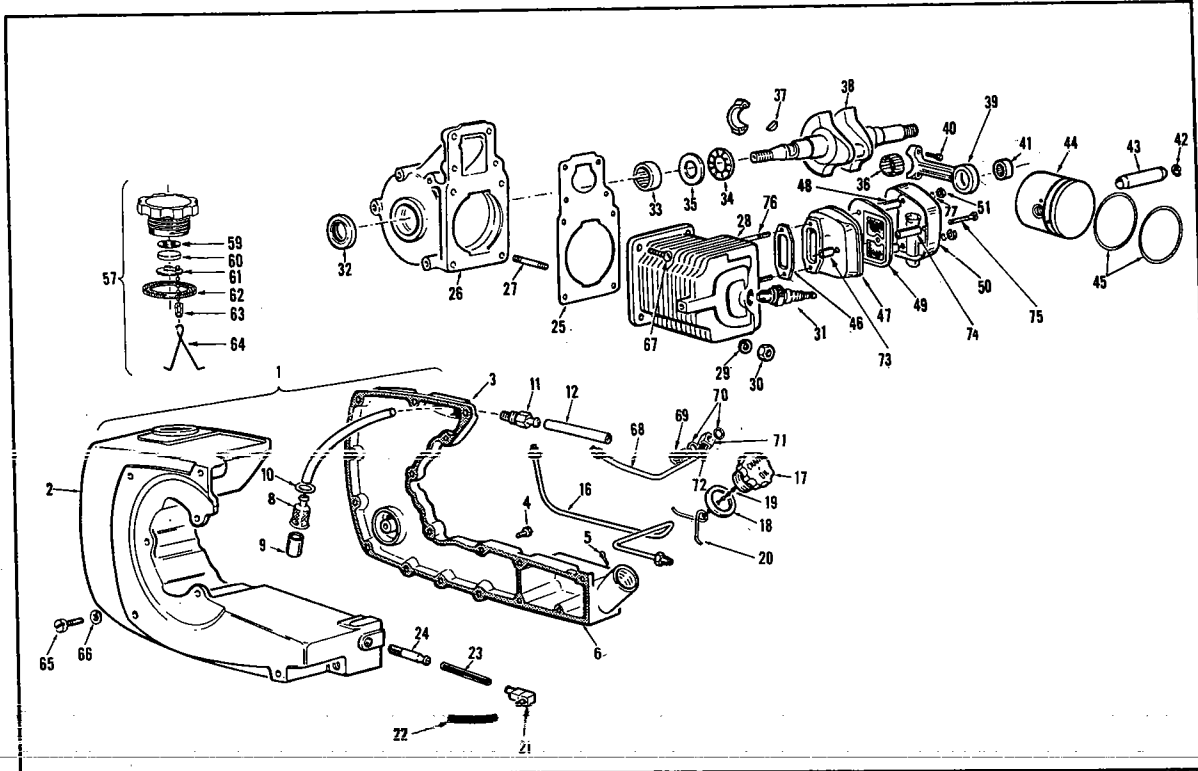


## CLUTCH PARTS LIST

REF. NO.	PART NO.	NAME OF PART	QTY. PER ASSY.	REF. NO.	PART NO.	NAME OF PART	QTY. PER ASSY.
1	471601	Bearing Carrier Assembly . . . . .	1	19	473547	Sprocket Assy. c/w Brg. 3/8 P. . . . .	1
2	201767	. Screw, chain adjust . . . . .	1	20	428164	Thrust washer . . . . .	1
3	425672	. Pin, chain adjust . . . . .	1	22	430800	Lock Nut, clutch side . . . . .	1
4	427997	Elbow, oiler (1 manual, 1 automatic)	2	23	427775	Inner Guide Plate . . . . .	1
5	427659	Bolt, cutter bar . . . . .	2	24	427776	Outer Guide Plate . . . . .	1
6	427657	Bearing C'shaft . . . . .	1	25	429178	Strut . . . . .	1
7	428128	Oil Seal . . . . .	1	28	307466	Screw, C'case to Brg. carrier . . . . .	2
8	428462	Gasket, Brg. carrier to C'case . . . . .	1	29	304606	Screw, Handle to Bracket . . . . .	1
9	427778	Front Handle Bracket . . . . .	1	30	120052	Lockwasher . . . . .	2
10	304606	Screw, Bracket to saw . . . . .	2	31	309330	Screw, C'case to Brg. carrier . . . . .	3
11	474325	Front Handle Bar Assy. . . . .	1	32	304145	Lockwasher . . . . .	3
12	304607	Screw, Handle to Tank . . . . .	2	33	430395	Plate, Handle mounting . . . . .	1
13	427916	Clutch cover plate . . . . .	1	34	471581	Pivot Grip Assy. . . . .	1
14	427187	Clutch Shoe . . . . .	2	35	800053	. Nut . . . . .	2
15	473335	Clutch driver . . . . .	1	36	307175	. Screw . . . . .	2
16	426964	Garter spring . . . . .	1	37	428140	Seal Cover . . . . .	1
17	427915	Clutch plate . . . . .	1	38	427980	Washer . . . . .	2
18	430743	Bearing . . . . .	1	39	425031	Nut . . . . .	2

INDENTED PART NAMES INDICATE THAT THESE PARTS ARE INCLUDED IN PRECEDING ASSEMBLY.

**ORDER ALL PARTS FROM YOUR LOCAL AUTHORIZED DEALER**



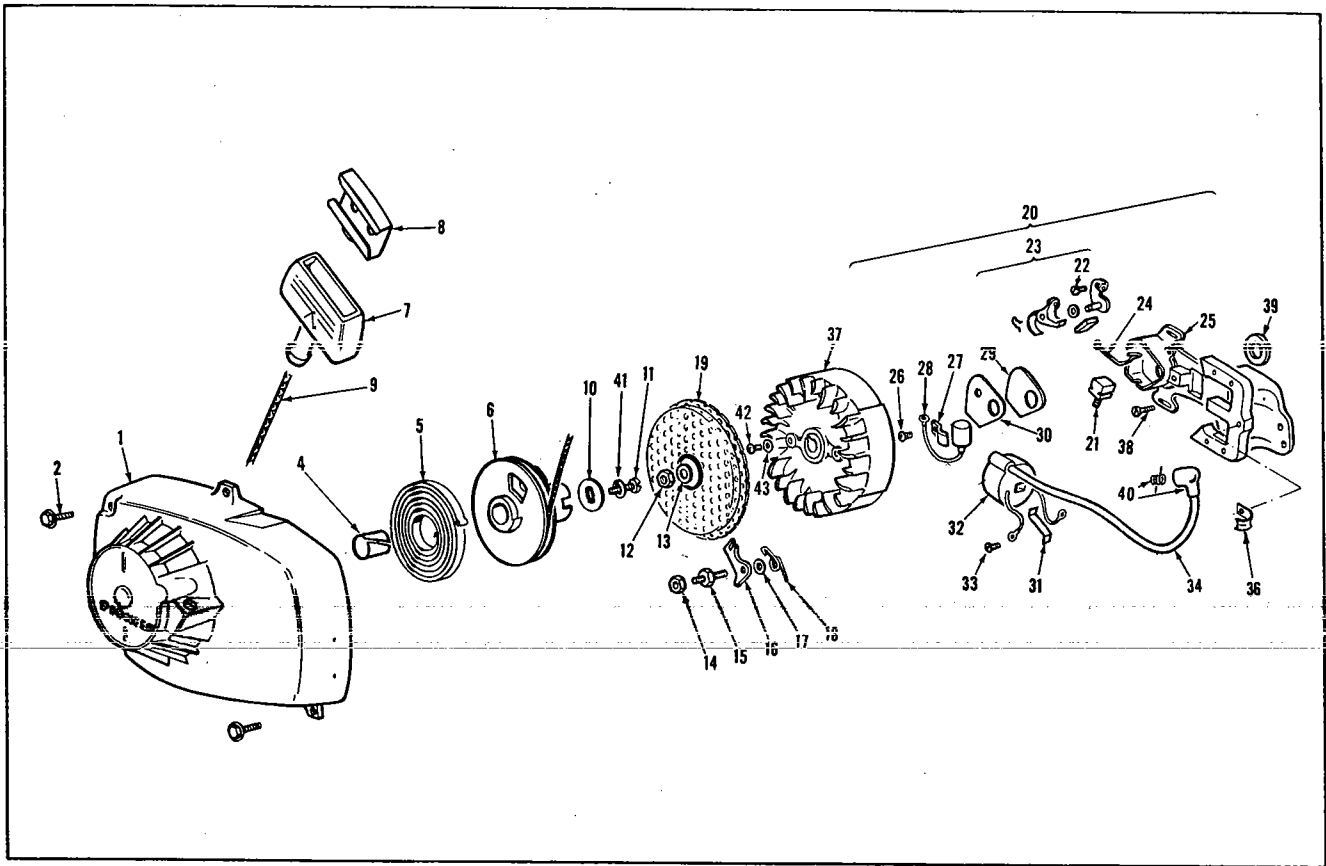
ENGINE PARTS LIST

REF. NO.	PART NO.	NAME OF PART	QTY. PER ASSY.	REF. NO.	PART NO.	NAME OF PART	QTY. PER ASSY.
1	473460	Fuel & Oil Tank Assembly . . . . .	1	38	429470	Crankshaft . . . . .	1
2	429474	· Fuel & Oil Tank . . . . .	1	39	473374	Con. Rod Assy. . . . .	1
3	429535	· Tank Cover . . . . .	1	40	311761	· Cap Screw . . . . .	2
4	306552	· Screw - Cover to Tank . . . . .	17	41	429444	· Wrist Pin Bearing . . . . .	1
5	306370	· Cotter Pin . . . . .	1	42	427671	Retainer - Wrist Pin . . . . .	2
6	428146	· Gasket - Tank to cover . . . . .	1	43	427670	Wrist Pin . . . . .	1
8	474397	Fuel Pick-up Assy. . . . .	1	44	474575	Piston . . . . .	1
9	430885	· Filter - Felt . . . . .	1	45	471698	Piston Ring Set . . . . .	1
10	302474	Washer - Fuel Pickup . . . . .	1	46	428189	Gasket - Muffler . . . . .	1
11	473826	Fitting & Hose Assy. . . . .	1	47	474462	Muffler Body Assembly . . . . .	1
12	429533	Hose - Carburetor to Fitting . . . . .	1	48	430836	Stud - Muffler . . . . .	2
16	471528	Oil Line - Pump to Bar . . . . .	1	49	474461	Baffle Plate . . . . .	1
17	471343	Oil Filler Cap & Gasket Assy. . . . .	1	50	474463	Cover - Muffler . . . . .	1
18	427689	· Gasket - Oil Filler Cap . . . . .	1	51	113175	Muffler Nut . . . . .	2
19	427690	· Bead Chain . . . . .	1	57	473913	Gas Cap Assy. - Complete . . . . .	1
20	427976	· Lock Spring . . . . .	1	59	428600	· Cover Plate . . . . .	1
21	428459	Fitting - Oil Pickup in Tank . . . . .	1	60	427994	· Filter Disc . . . . .	1
22	428460	Oil Line - Tank to Pump . . . . .	1	61	427278	· Cover . . . . .	1
23	428337	Hose - Oiler Pickup Line . . . . .	1	62	425087	· Gasket . . . . .	1
24	472152	Pickup Body Assembly . . . . .	1	63	427277	· Bead Chain . . . . .	1
25	427672	Gasket - Crankcase to Cylinder . . . . .	1	64	427213	· Lock Spring . . . . .	1
26	471779	Crankcase Assembly . . . . .	1	65	309330	Screw - Tank to Crankcase . . . . .	3
27	426642	· Stud - To Cylinder . . . . .	2	66	304145	Lock Washer . . . . .	3
28	428190	Cylinder . . . . .	1	67	306409	Screw - Cylinder to Crankcase . . . . .	2
29	306396	Lockwasher . . . . .	4	68	472956	Oil Line Auto . . . . .	1
30	306397	Nut . . . . .	2	69	471606	Pickup Head . . . . .	1
31	428006	Spark plug CJ8 . . . . .	1	70	307554	Gasket . . . . .	2
32	427656	Seal - Crankcase . . . . .	1	71	429134	Banjo Fitting . . . . .	1
33	427657	Bearing . . . . .	1	72	427717	Rubber Connector . . . . .	1
34	430424	Thrust Bearing . . . . .	2	73	428248	Spacer - Short . . . . .	1
35	427661	Thrust Race . . . . .	2	74	430834	Spacer - Long . . . . .	1
36	471493	Roller Needle Set . . . . .	1	75	319713	Screw - Muffler to Cylinder . . . . .	1
37	428409	Flywheel Key . . . . .	1	76	431215	Stud - Muffler to Cylinder . . . . .	2
				77	306396	Washer . . . . .	2

INDENTED PART NAMES INDICATE THAT THESE PARTS ARE INCLUDED IN PRECEDING ASSEMBLY.

ORDER ALL PARTS FROM YOUR LOCAL AUTHORIZED DEALER

model 1200A



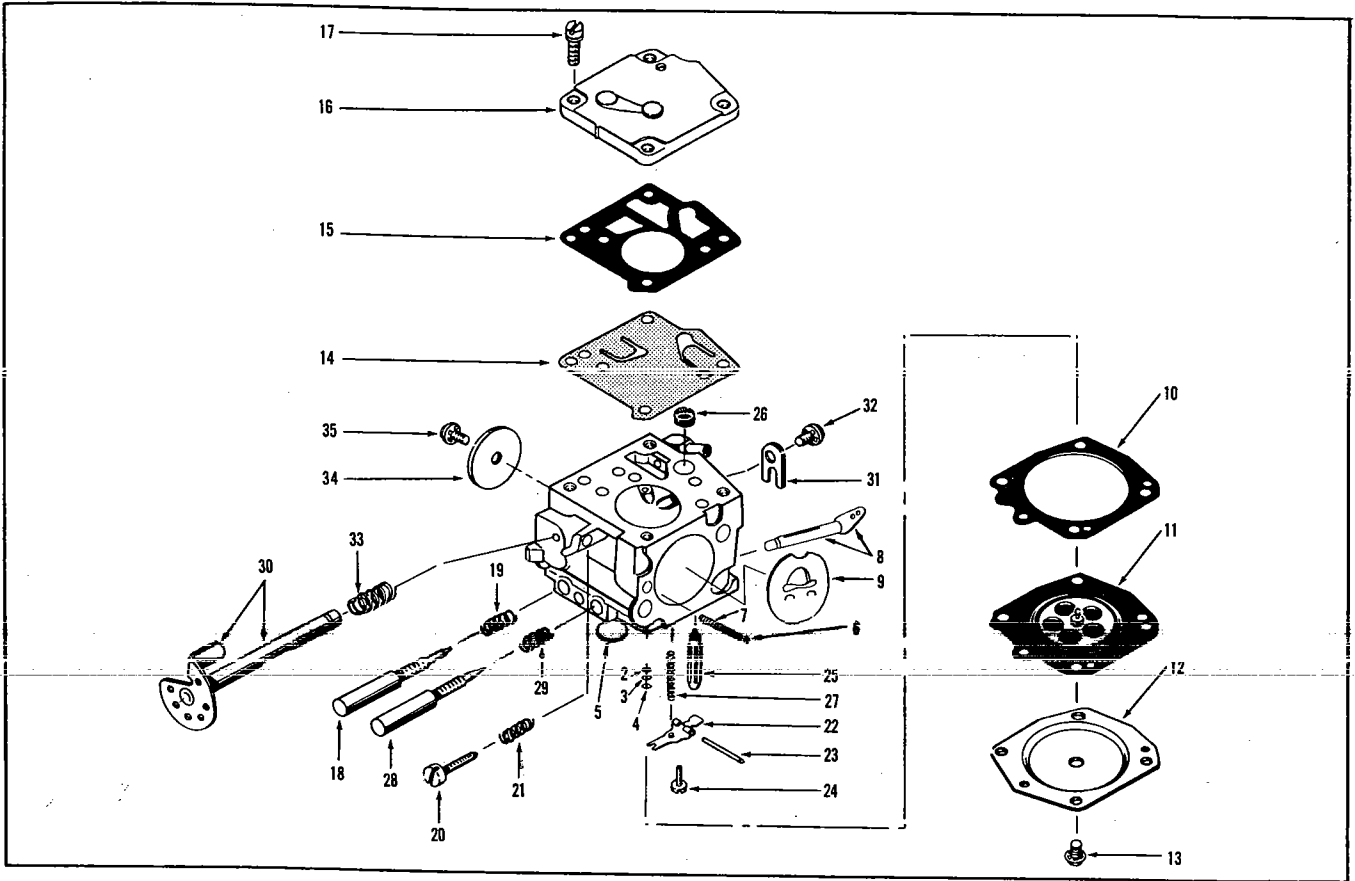
STARTER & MAGNETO PARTS LIST

REF. NO.	PART NO.	NAME OF PART	QTY. PER ASSY.	REF. NO.	PART NO.	NAME OF PART	QTY. PER ASSY.
1	472982	Blow Cover Assembly . . . . .	1	22	471366	. Fixed Contact Clamp Screw Assy.	1
2	428094	Screw (Blower to Tank) . . . . .	4	23	471500	. Breaker Point Set . . . . .	1
4	428444	Liner Bushing . . . . .	1	24	425698	. Spring Breaker Box . . . . .	1
5	427771	Starter Spring . . . . .	1	25	427752	. Stator Plate & Core . . . . .	1
6	471371	Starter Pulley Assembly . . . . .	1	26	425948	. Condenser Clamp Screw Assy. . . . .	1
7	430641	Handle . . . . .	1	27	427754	. Condenser Clamp . . . . .	1
8	430643	Anchor . . . . .	1	28	471354	. Condenser Group Assembly . . . . .	1
9	426752	Cord . . . . .	1	29	427757	. Gasket (Cover) . . . . .	1
10	428105	Washer . . . . .	1	30	427756	. Cover (Breaker Box) . . . . .	1
11	551725	Screw (Pulley to Shaft) . . . . .	1	31	427748	. Coil Wedge Spring . . . . .	1
12	427826	Locknut (Flywheel) . . . . .	1	32	471365	. Coil Assembly . . . . .	1
13	429851	Washer (Flywheel) . . . . .	1	33	427749	. Coil Grounding Screw . . . . .	1
14	800053	Nut (Screen to Pivot) . . . . .	1	34	427745	. High Tension Lead . . . . .	1
15	427763	Pivot . . . . .	1	36	428106	. Cup, Magneto . . . . .	1
16	427765	Starter Pawl . . . . .	1	37	471362	Flywheel Assy. . . . .	1
17	202150	Washer (Pivot to Flywheel) . . . . .	1	38	304605	Screw . . . . .	3
18	431093	Spring . . . . .	1	39	427917	Felt - Magneto to Crankcase . . . . .	1
19	427766	Rotating Screen . . . . .	1	40	580339	Sparky Assy. . . . .	1
20	471590	Stator Assembly Complete		41	306398	Lockwasher . . . . .	1
21	471364	. Terminal Connection Unit . . . . .	1	42	307051	Screw for Rotating Screen . . . . .	1
				43	428947	Spacer . . . . .	1

INDENTED PART NAMES INDICATE THAT THESE PARTS ARE INCLUDED IN PRECEDING ASSEMBLY.

ORDER ALL PARTS FROM YOUR LOCAL AUTHORIZED DEALER

model 1200 A



CARBURETOR PARTS LIST

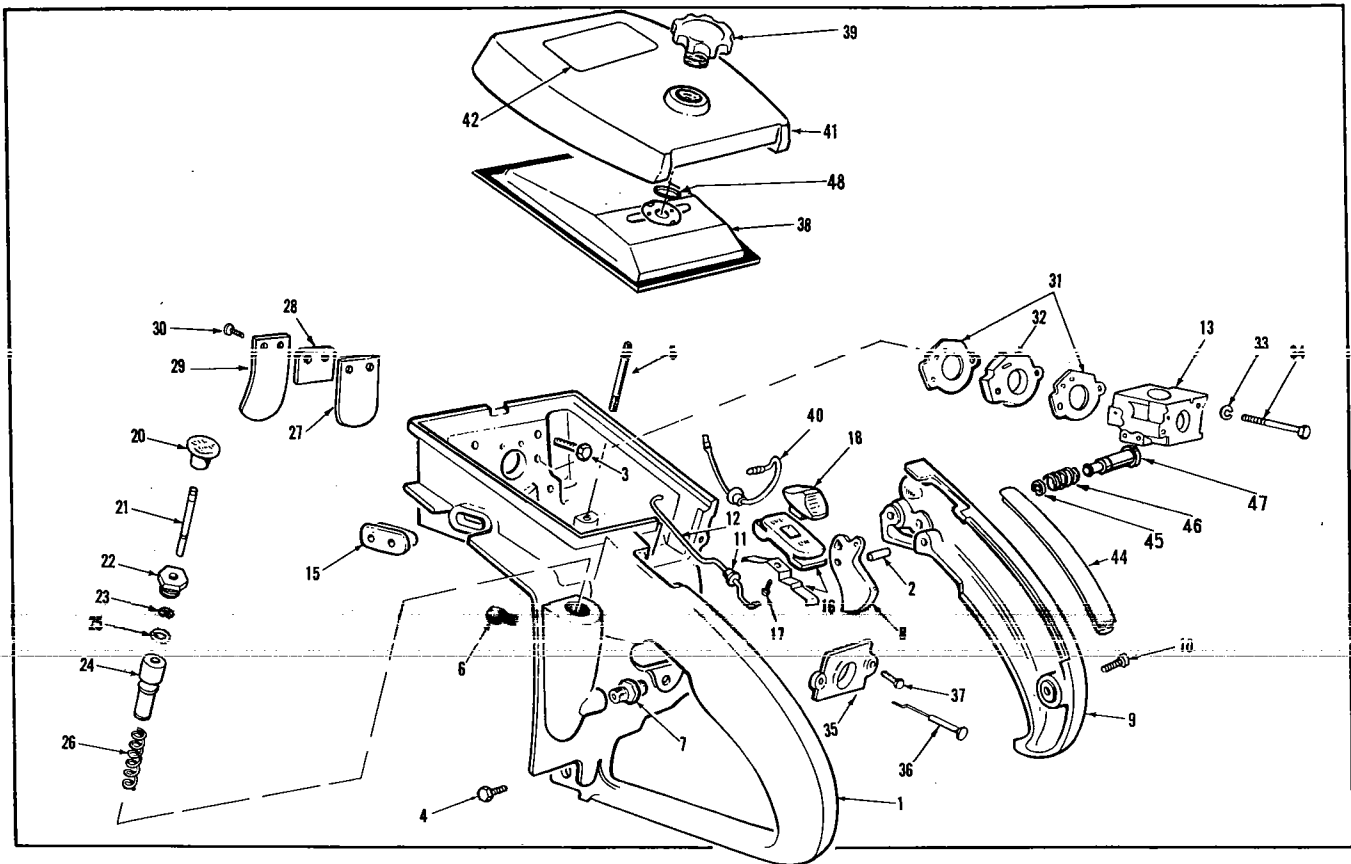
REF. NO.	PART NO.	NAME OF PART	QTY. PER ASSY.	REF. NO.	PART NO.	NAME OF PART	QTY. PER ASSY.
1	471772	Carburetor Complete . . . . .	1	18	427959	. Idle Mixture Screw . . . . .	1
2	427942	. Body Channel Screen . . . . .	1	19	425449	. *Idle Mixture Screw Spring . . .	1
3	427943	. Body Channel Screen Ret. Ring .	1	20	427963	. *Idle Speed Screw . . . . .	1
4	427944	. *Body Channel Welch Plug(small)	1	21	427946	. *Idle Speed Screw Spring . . .	1
5	427948	. *Body Channel Welch Plug(large)	1	22	427953	. *Inlet Control Lever . . . . .	1
6	428452	. Choke Friction Ball . . . . .	1	23	427954	. *Inlet Pinion Pin . . . . .	1
7	428453	. Choke Friction Spring . . . . .	1	24	427962	. *Inlet Pinion Pin Ret. Screw . .	1
8	471775	. Choke Shaft & Lever . . . . .	1	25	427952	. Inlet Needle . . . . .	1
9	428451	. Choke Shutter . . . . .	1	26	427951	. *Inlet Screen . . . . .	1
10	427950	. Diaphragm Cover . . . . .	1	27	425498	. *Inlet Tension Spring . . . . .	1
11	471374	. *Diaphragm . . . . .	1	28	427960	. High Speed Mixture Screw . . .	1
12	427956	. Diaphragm Cover . . . . .	1	29	425449	. *High Speed Mixture Screw Spring . . . . .	1
13	426145	. Diaphragm Cover Ret. Screw & L'washer . . . . .	4	30	471380	. Throttle Shaft & Lever . . . . .	1
14	427941	. *Fuel Pump Diaphragm . . . . .	1	31	427957	. Throttle Shaft Clip . . . . .	1
15	427940	. Fuel Pump Gasket . . . . .	1	32	427947	. Throttle Shaft Clip Ret. Screw .	1
16	427939	. Fuel Pump Cover . . . . .	1	33	427961	. *Throttle Shaft Return Spring . .	1
17	427955	. Fuel Pump Cover Ret. Screw & L'washer . . . . .	4	34	425966	. Throttle Shutter . . . . .	1
				35	427947	. *Throttle Shutter Screw . . . . .	1

NOTE: Parts marked with an asterisk are included in Carburetor Repair Parts Kit Part No. 474115.

NOTE: Gasket Set Part No. 474112

INDENTED PART NAMES INDICATE THAT THESE PARTS ARE INCLUDED IN PRECEDING ASSEMBLY  
**SPECIFY MODEL AND SERIAL NUMBER OF MOTOR WHEN ORDERING PARTS**

model 1200 A



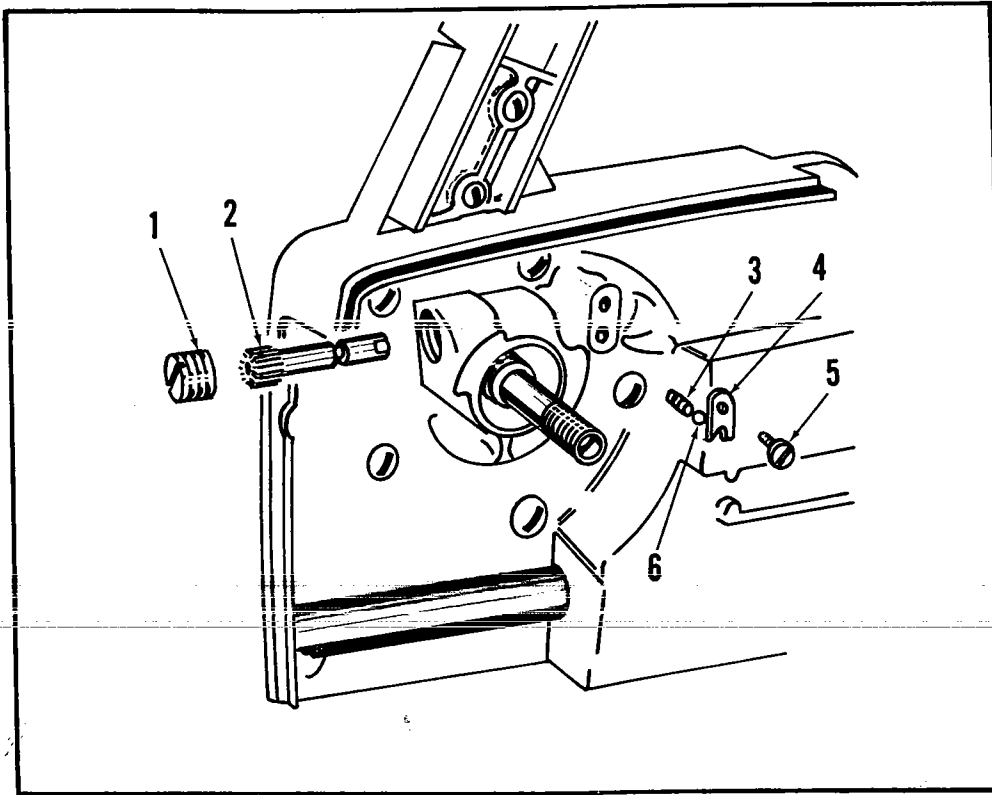
OUTER ASSEMBLIES PARTS LIST

REF. NO.	PART NO.	NAME OF PART	QTY. PER ASSY.	REF. NO.	PART NO.	NAME OF PART	QTY. PER ASSY.
1	471346	Rear Handle Assembly . . . . .	1	25	428906	. "O" Ring (Oil Pump) . . . . .	1
2	308016	Roll Pin - Throttle Trigger . . . . .	1	26	427925	. Spring - Plunger - Oil Pump . . . . .	1
3	510397	Screw - Rear Handle Crankcase . . . . .	4	27	427700	Reed Valve . . . . .	1
4	510397	Screw - Rear Handle Tank . . . . .	1	28	427701	Reed Support Plate . . . . .	1
5	428461	Stud . . . . .	1	29	427702	Reed Backing Plate . . . . .	1
6	471478	Outlet Valve Assembly - Oil pump . . . . .	1	30	303764	Screw - Reed Valve . . . . .	2
7	471780	Inlet Valve Assembly - Oil Pump . . . . .	1	31	427722	Gasket - Carb. Mounting . . . . .	2
8	427696	Throttle Trigger . . . . .	1	32	427723	Insulating Block - Carburetor . . . . .	1
9	429144	Rear Handle Cover . . . . .	1	33	120052	Lockwasher - Carb. Mounting . . . . .	2
10	307613	Screw - Handle Cover . . . . .	2	34	427785	Screw . . . . .	2
11	428352	Grommet - Throttle link . . . . .	1	35	428892	Cover - Choke . . . . .	1
12	427699	Throttle link . . . . .	1	36	430481	Choke Knob & Lever . . . . .	1
13	471772	Carburetor Complete with choke . . . . .	1	37	200608	Screw - Choke Cvr. to Rear Handle . . . . .	2
15	428108	Grommet Hi-Lo . . . . .	1	38	471355	Air Filter Element . . . . .	1
16	471699	Switch Assy. . . . .	1	39	471357	Knob Assembly . . . . .	1
17	426662	. Screw Self Tapping (Switch) . . . . .	1	40	471368	Switch Wire Assembly . . . . .	1
18	427128	. Switch Button . . . . .	1	41	430548	Cover - Air filter . . . . .	1
19	474237	Oil Pump Kit . . . . .	1	42	430318	Decal - Air Filter Cover . . . . .	1
20	427704	. Button - Oiler . . . . .	1	44	429161	Cushion . . . . .	1
21	427705	. Push Rod . . . . .	1	45	309623	Retaining Ring - Throttle Lock . . . . .	1
22	427706	. Cap - Oil Pump . . . . .	1	46	428171	Spring - Throttle Lock . . . . .	1
23	427788	. Retaining Clip . . . . .	1	47	427815	Pin - Throttle Lock . . . . .	1
24	427098	. Plunger - Oiler . . . . .	1	48	304614	Retaining Ring . . . . .	1

INDENTED PART NAMES INDICATE THAT THESE PARTS ARE INCLUDED IN PRECEDING ASSEMBLY.

ORDER ALL PARTS FROM YOUR LOCAL AUTHORIZED DEALER

model 1200 A



AUTOMATIC OIL PUMP

REF. NO.	PART NO.	NAME OF PART	QTY. PER ASSY.
*	474238	Automatic Oiler Kit . . . . .	1
1	428261	. Plug . . . . .	1
2	473339	. Plunger Ass'y. . . . .	1
3	428405	. Pin . . . . .	1
4	428406	. Retaining Clip . . . . .	1
5	307191	. Screw . . . . .	1
6	308528	. "O" Ring . . . . .	1

\* Not Shown

INDENTED PART NAMES INDICATE THAT THESE PARTS ARE INCLUDED IN PRECEDING ASSEMBLY  
 SPECIFY MODEL AND SERIAL NUMBER OF MOTOR WHEN ORDERING PARTS