

# WEED EATER®

## PARTS AND SERVICE

This product has been expertly engineered and carefully manufactured to rigid quality standards. As with all mechanical products, some adjustments or part replacement may be necessary during the life of your unit.

For Parts and service, contact our authorized distributor: call 1-800-849-1297

• For replacement parts, have available the following information:

- a. Model Number/Manufacturer's I.D. Number
- b. Description of part.

For Technical Assistance: call 1-800-829-5886

For a Parts Manual, go to our website: [www.weedeater.com](http://www.weedeater.com)

**NOTE:** HOP provides parts and service through its authorized distributors and dealers; therefore, all requests for parts and service should be directed to your local dealer(s). The philosophy of HOP is to continually improve all of its products. If the operating characteristics or the appearance of your product differs from those described in this Manual, please contact your local dealer for updated information and assistance.

## Repair Parts Manual 30" RIDING MOWER SIDE DISCHARGE ELECTRIC START

# WEED EATER®



Catalog No.  
**WELRVBA30**

**IMPORTANT:**  
Read and follow all Safety  
Rules and Instructions before  
operating this equipment.

Patents Pending

# HOW TO USE THIS MANUAL

This manual is designed to provide the customer with a means to identify the parts on his/her tractor when ordering repair parts. The illustrations may or may not represent the actual assemblies; therefore, it is not recommended to use this manual as a guide to assemble or disassemble the tractor. Some hardware and parts are drawn larger in order to more readily identify them.

Each riding mower has its own model number.

The model number for your riding mower can be found on the fender under the seat.

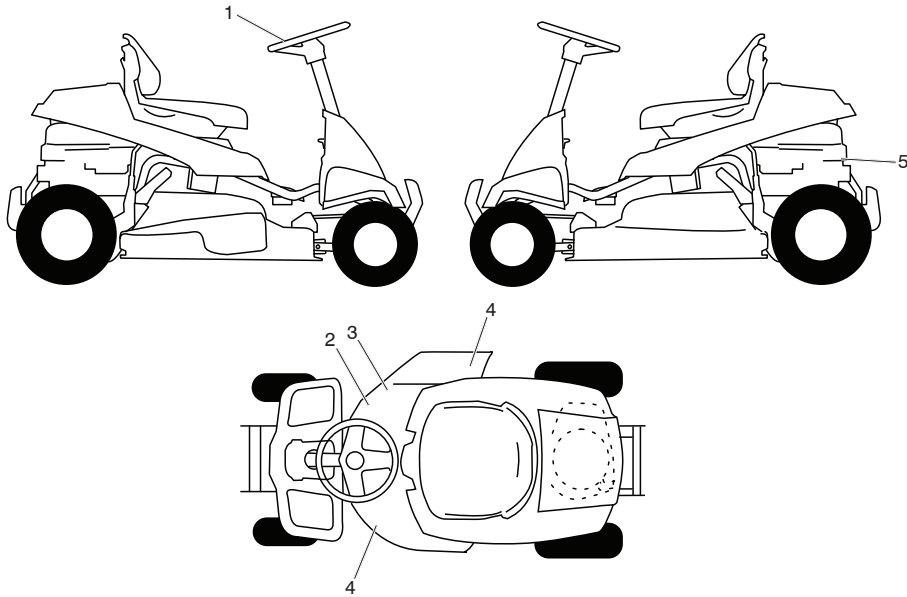
When ordering parts, always give the following information:

- Product - "Riding Mower"
- Model Number - "WELRVBA30 (96026000100)"
- Part Number
- Part Description

# TABLE OF CONTENTS

SCHEMATIC .....	3
ELECTRICAL.....	4-5
CHASSIS .....	6-7
DRIVE.....	8-9
STEERING .....	10-11
MOWER DECK .....	12-13
DECALS.....	14

RIDING MOWER - MODEL NO. WELRVBA30 (96026000100), PRODUCT NO. 960 26 00-01  
DECALS

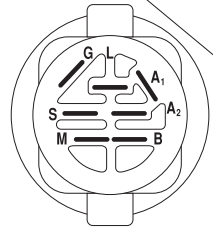
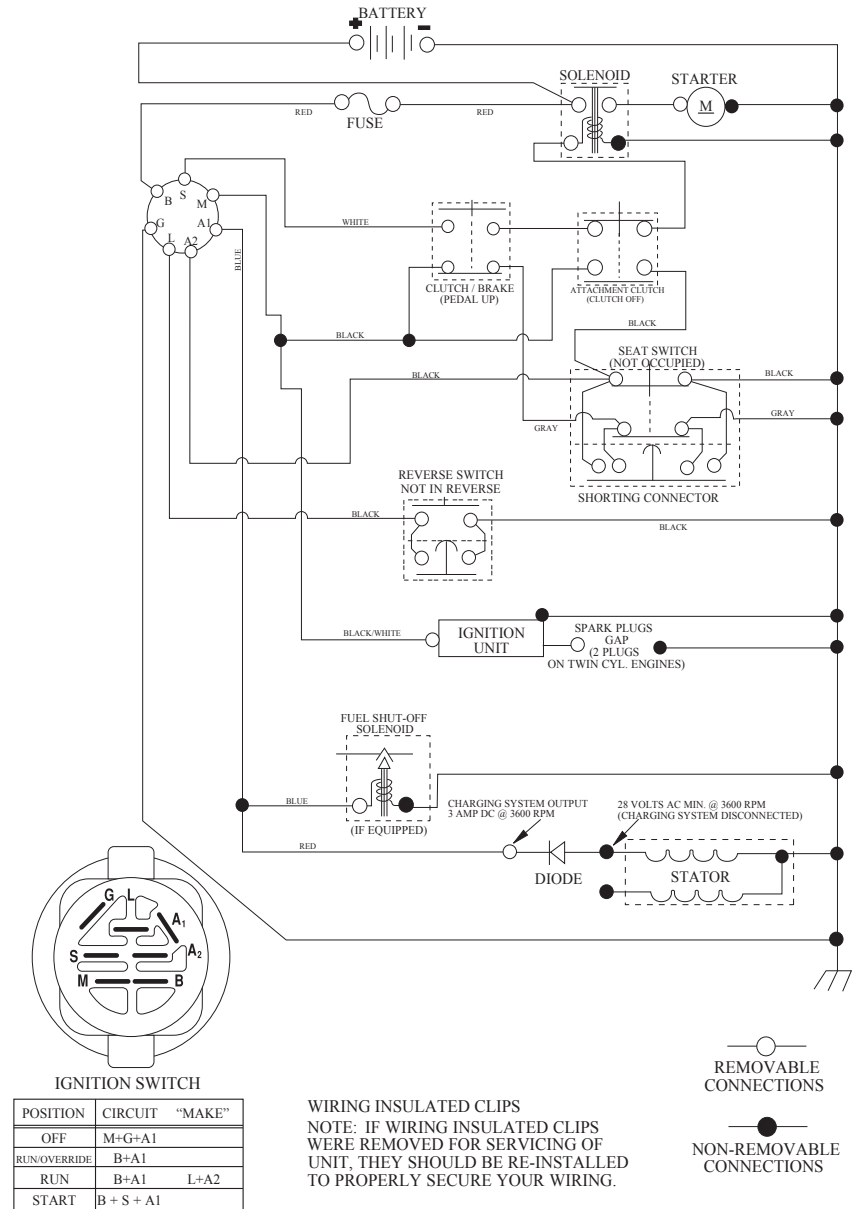


KEY NO.	PART NO.	DESCRIPTION
1	532 44 18-21	DECAL, STEERING WHEEL
2	532 44 14-97	DECAL, V-BELT SCH 30"
3	532 42 51-12	DECAL, WARN. DEFLECT/CTFGR
4	532 44 07-80	DECAL, DECK/DEFLECTOR
5	532 40 88-06	DECAL, ENGINE
--	532 44 19-83	MANUAL OPERATOR ENGLISH
--	532 44 19-84	MANUAL PARTS ENGLISH

**NOTE:** All component dimensions given in U.S. inches  
1 inch = 25.4 mm

RIDING MOWER - MODEL NO. WELRVBA30 (96026000100), PRODUCT NO. 960 26 00-01  
SCHEMATIC

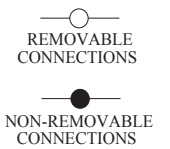
SCH24



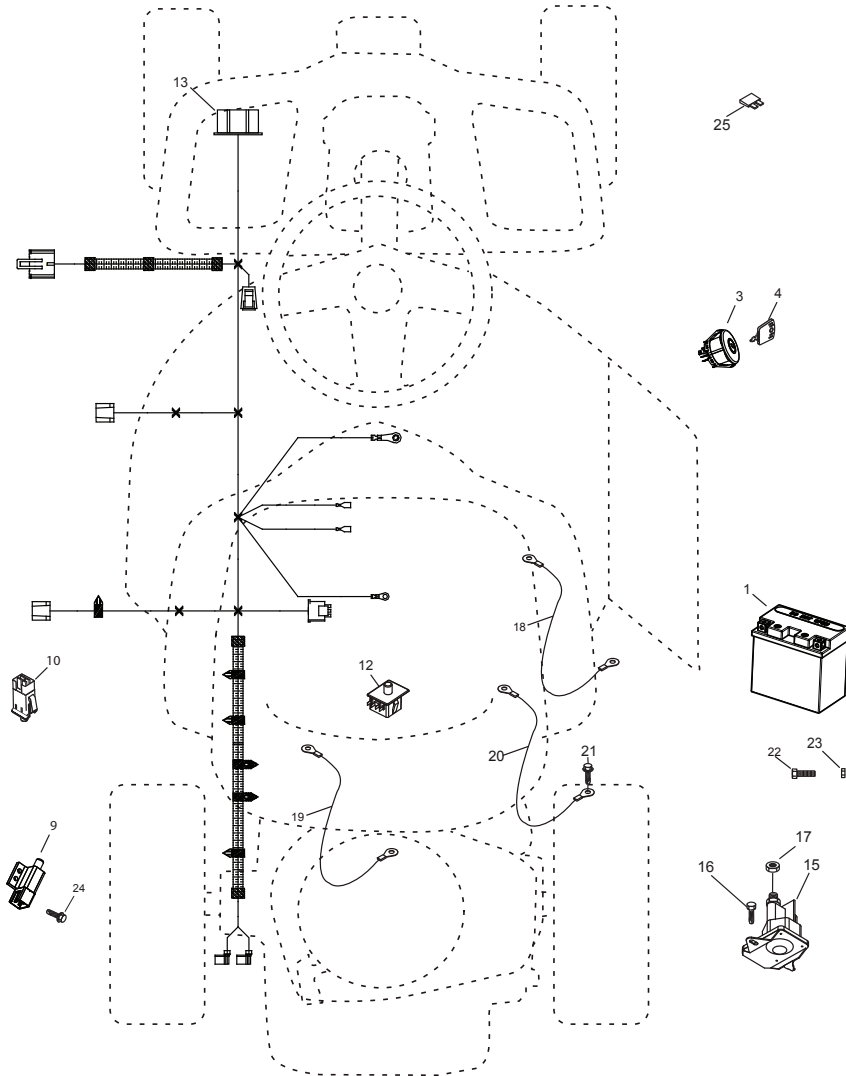
IGNITION SWITCH

POSITION	CIRCUIT	"MAKE"
OFF	M+G+A1	
RUN/OVERRIDE	B+A1	
RUN	B+A1	L+A2
START	B + S + A1	

WIRING INSULATED CLIPS  
NOTE: IF WIRING INSULATED CLIPS  
WERE REMOVED FOR SERVICING OF  
UNIT, THEY SHOULD BE RE-INSTALLED  
TO PROPERLY SECURE YOUR WIRING.

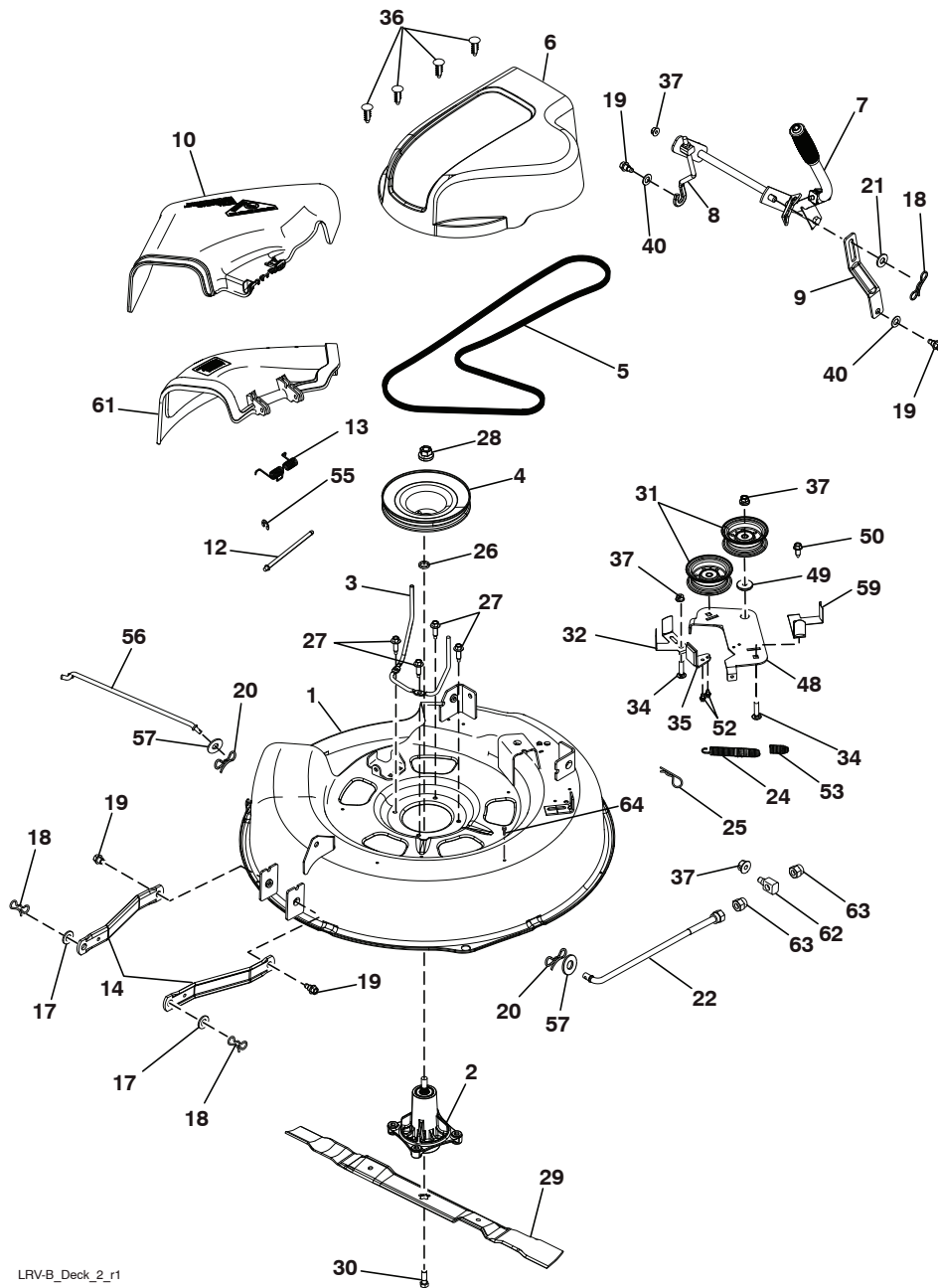


LRV2



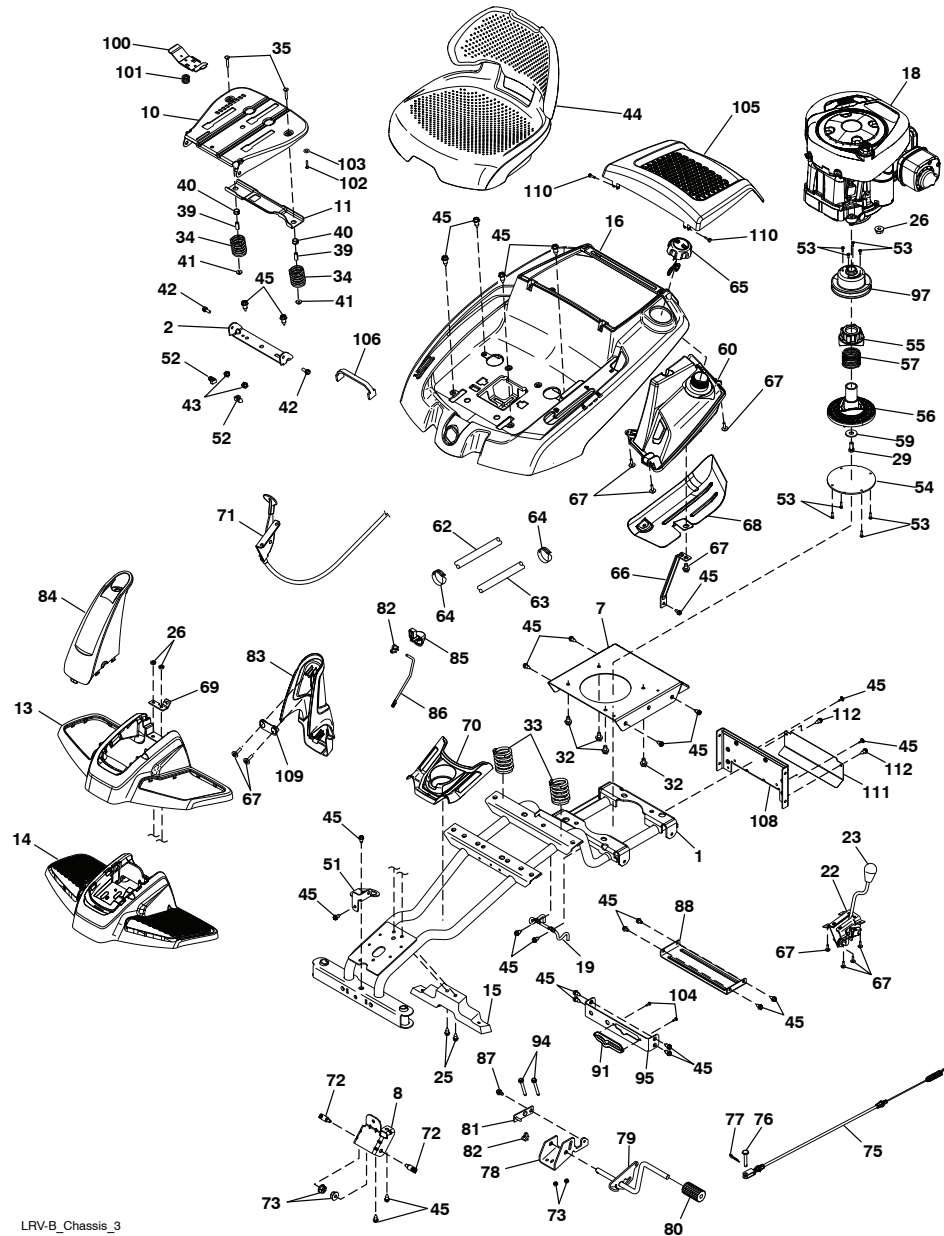
KEY NO.	PART NO.	DESCRIPTION
1	532 43 68-48	DECK
2	532 19 28-70	MANDREL ASM
3	532 43 68-56	KEEPER, BELT
4	532 43 68-55	PULLEY, MANDREL
5	532 44 15-97	BELT
6	532 43 68-63	COVER, MANDREL
7	532 43 71-44	LIFT ASM, DECK
8	532 42 93-97	LINK, ADJUSTABLE
9	532 42 91-95	LINK, DECK LIFT
10	532 43 96-38	DEFLECTOR
12	532 43 66-47	PIN, HINGE
13	532 43 74-62	SPRING, TORSION
14	532 19 51-85	ARM, MOWER SUPPORT
17	819 19 19-12	WASHER
18	532 19 42-09	PIN
19	532 19 65-39	BOLT, SHOULDER
20	532 19 42-08	PIN COTTER 5/16 BOW TIE LOCK
21	819 17 19-12	WASHER, 17/32 X 1 3/16
22	532 42 93-50	LINK ASM DECK
24	532 42 95-31	SPRING EXTENSION DECK
25	532 12 47-88	RETAINER SPRING 1"
26	532 18 76-90	SPACER, MANDREL
27	532 17 39-84	BOLT, MANDREL
28	532 40 02-34	NUT FLANGE LOCK TOP
29	532 41 92-73	BLADE
30	532 19 30-03	BOLT, BLADE
31	532 19 31-97	PULLEY, IDLER
32	532 14 10-43	GUARD, IDLER TUV
34	872 11 06-12	BOLT, 3/8-16 X 1 1/2
35	532 19 94-70	ARM, BRAKE
36	532 13 77-29	SCREW THD ROLL 1/4-20 X 5/8
37	873 90 06-00	NUT, 3/8-16 FLANGE
40	819 17 16-16	WASHER, 16 GA.
48	532 43 68-57	ARM CLUTCHING
49	532 19 90-92	SPACER RETAINER
50	817 00 06-16	SCREW 3/8-16 X 1
52	817 60 04-06	SCREW 1/4-20 X 3/8
53	532 40 18-72	SPRING RETURN DECK
55	532 43 79-88	E-RING 5/16
56	532 43 68-62	ROD ANTI-SWAY
57	819 13 13-12	WASHER 13/32 X 13/16 X 12 GA
59	532 43 68-58	GUARD TUV IDLER
61	532 43 79-47	MULCH COVER ASM
62	532 17 62-05	TRUNION SUSPENSION ARM
63	532 17 59-94	NUT LIFT LINK 7/16-20
64	817 67 06-08	SCREW THDROL 3/8-16 X 1/2

**NOTE:** All component dimensions given in U.S. inches  
1 inch = 25.4 mm



KEY NO.	PART NO.	DESCRIPTION
1	532 43 65-51	BATTERY
3	532 19 33-50	SWITCH, IGN, DLTA, P-IN, ROS
4	532 41 19-33	KEY/CHAIN
9	532 10 95-53	SWITCH, INTLK,CL, MWR, GRY
10	532 17 61-38	SWITCH, INTERLOCK, NONC,GRAY
12	532 19 27-49	SWITCH, SEAT, DP, ROS
13	532 43 72-28	HARNESS, IGN, ELECTSTART, LRV
15	532 19 25-07	SOLENOID
16	817 72 04-08	SCREW THD CUT 1/4-20 X 1/2 TY23
17	873 51 04-00	NUT KEPS HEX 1/4-20 UNC
18	532 41 66-94	CABLE BATTERY
19	532 42 12-99	CABLE STARTER
20	532 42 12-98	CABLE GROUND
21	817 06 05-12	SCREW 5/16-18 X 3/4
22	874 35 05-09	SCREW HEX M5X0.8.9MM
23	532 43 81-22	NUT M5
24	818 10 10-12	SCREW TORX #10-14 X .750
25	532 44 16-22	FUSE, 10

**NOTE:** All component dimensions given in U.S. inches  
1 inch = 25.4 mm

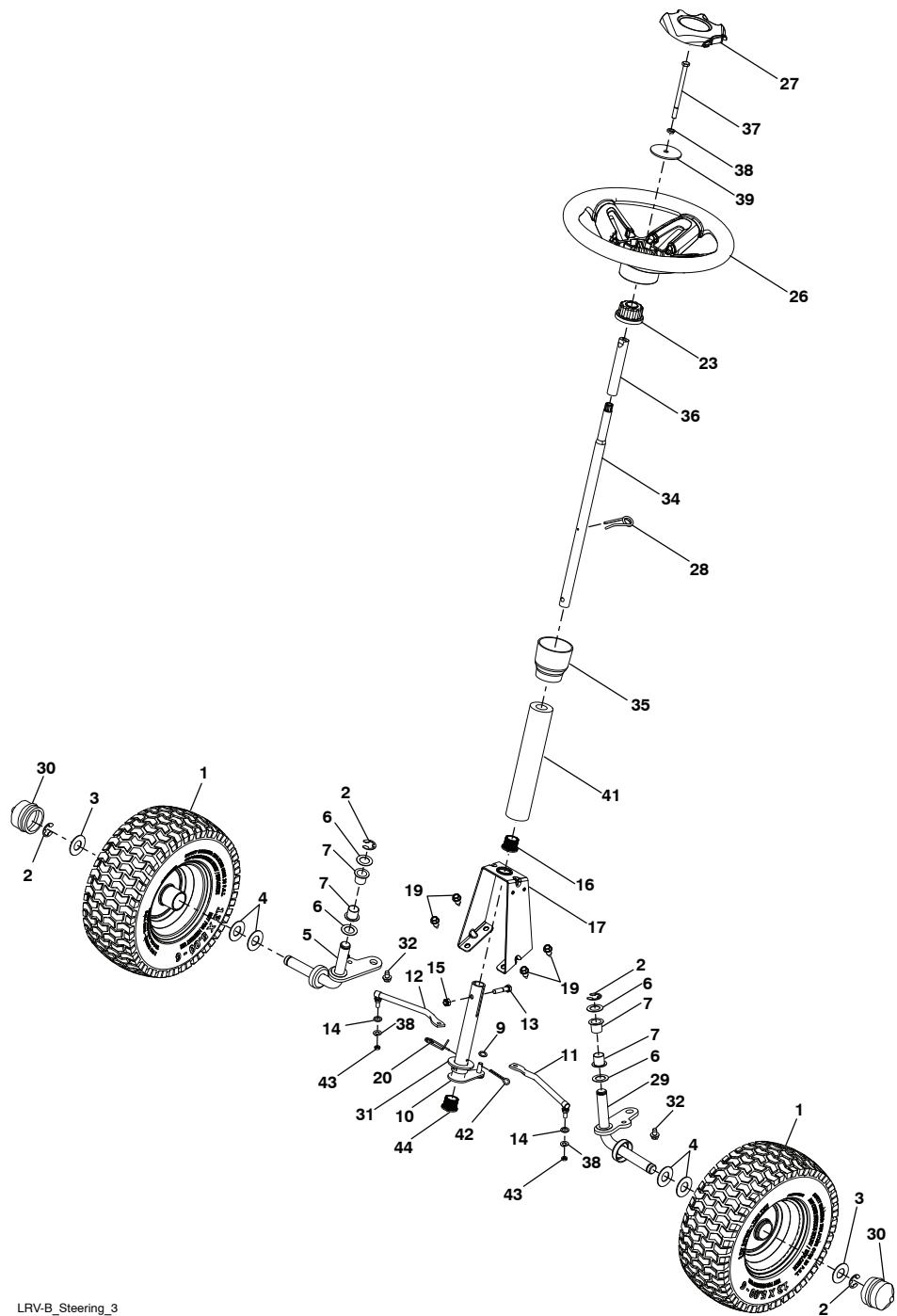


LRV-B\_Chassis\_3

KEY PART NO.	PART NO.	DESCRIPTION
1	532 44 21-39	WHEEL TUBE
2	812 00 00-01	E-CLIP
3	532 18 89-67	WASHER, HARDENED
4	532 12 17-49	WASHER, 1/4 X 3/4
5	532 43 61-81	SPINDLE, RH
6	532 12 49-31	WASHER, HARDENED THRUST
7	532 12 49-37	BUSHING, STEERING COLUMN
9	819 13 14-14	WASHER
10	532 42 80-57	WELDMENT, LWR STRG SHAFT
11	532 44 21-39	LINK, STRNG LH
12	532 43 61-84	LINK, STRNG RH
13	874 78 05-24	BOLT, 5/16-18 X 1 1/2
14	819 11 12-16	WASHER 11/32 X 3/4 X 16 GA
15	873 80 05-00	NUT, 5/16-18
16	532 07 67-15	BUSHING SNAP
17	532 43 61-78	SUPPORT, UPPER STEERING
19	817 00 05-12	BOLT, 5/16-18 X 3/4
20	532 42 80-45	CLIP, RETAINER SPRING
23	532 43 77-47	ADAPTER, STEERING WHEEL
26	532 44 21-40	WHEEL, STEERING
27	532 44 21-41	CAP, STEERING WHEEL
28	532 19 98-49	CLIP, RETAINER SPRING
29	532 43 64-99	SPINDLE, LH
30	532 43 64-99	CAP, HUB, AXLE
31	819 34 32-10	WASHER 1-1/16 X 2 X 10GA.
32	817 49 05-28	SCREW HEXWSH THD 5/16-18 X 1-3/4
34	532 43 61-82	SHAFT STEERING UPPER
35	532 44 20-66	BOOT LOWER STEERING WHEEL
36	532 19 60-75	SHAFT EXTENSION STEERING SPLINE
37	874 78 05-80	BOLT FIN HEX 5/16-18 UNC X 5 GR5
38	810 04 05-00	WASHER LOCK HVY HLCL SPR 5/16
39	819 11 38-12	WASHER 11/32 ID X 2 3/8 OD X 12 GA.
41	532 43 65-90	FOAM SHAFT STEERING
42	532 42 10-76	PIN, 5/64 X 3/4 COTTER
43	873 54 05-00	CROWNLOCK NUT 5/16-24 UNF
44	532 42 80-44	BUSHING

NOTE: All component dimensions given in U.S. inches  
1 inch = 25.4 mm

RIDING MOWER - MODEL NO. WELRVBA30 (96026000100), PRODUCT NO. 960 26 00-01  
STEERING

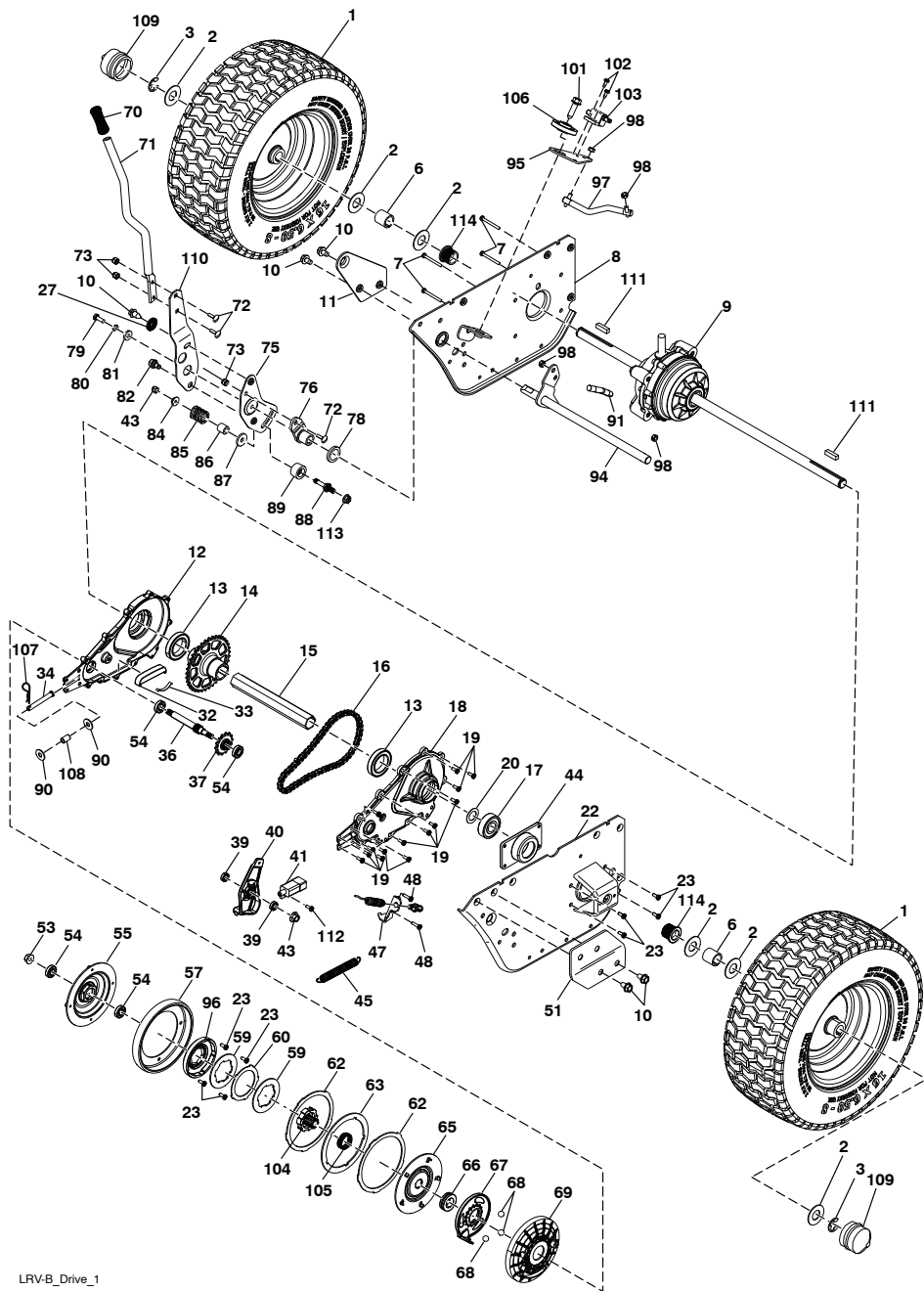


RIDING MOWER - MODEL NO. WELRVBA30 (96026000100), PRODUCT NO. 960 26 00-01  
CHASSIS

KEY NO.	PART NO.	DESCRIPTION	KEY NO.	PART NO.	DESCRIPTION
1	532 43 61-76	WELDMENT, CHASSIS	66	532 43 66-06	FUEL TANK SUPPORT BRKT
2	532 18 01-66	BRACKET, SEAT	67	532 42 17-56	SCREW #10 X 0.500
7	532 43 61-77	PLATE, ENGINE	68	532 43 98-51	SHIELD HEAT
8	532 43 68-60	BRACKET, CHASSIS FRONT	69	532 43 74-27	BRACKET MOUNT CABLE
10	532 44 18-05	PAN, SEAT	70	532 44 20-68	CONSOLE CENTER CUPHOLDER
11	532 19 93-70	BRACKET, SWITCHMOUNTING	71	532 43 78-57	THROTTLE ASM
13	532 43 65-95	COVER, FOOT REST	72	532 19 51-61	STUD FASTNER
14	532 43 65-92	STRUCTURE, FOOT REST	73	873 90 05-00	NUT LOCK HEX FLANGE 5/16-18
15	532 44 20-69	SUPPORT, FOOT REST	75	532 43 69-59	CABLE BRAKE
16	532 43 93-94	PANEL ASM, CONTROL	76	877 10 08-12	PIN CLEVIS
18	532 43 92-73	ENGINE, (NON-CALIFORNIA) 215807-1529-G1	77	876 02 02-08	PIN COTTER 1/16 X 1/2
19	532 43 68-61	KEEPER, BELT	78	532 43 70-56	BRACKET SUPPORT ROD
22	532 44 17-15	DECK CLUTCH ASM	79	532 43 70-57	BRAKE WELDMENT
23	532 14 98-46	KNOB	80	532 42 96-93	BRAKE PEDAL COVER
25	872 14 04-24	BOLT	81	532 43 73-74	WELDMENTLINKCONNECTING
26	873 51 04-00	NUT, 1/4-20	82	532 16 94-84	RETAINER CLIP
29	532 43 89-21	BOLT, 7/16-20 X 1.00	83	532 43 93-68	STEERING BOOT REAR
32	817 06 06-20	SCREW 3/8-16 X 1-1/4	84	532 43 92-91	STEERING BOOT FRONT
33	532 12 41-81	SPRING, SEAT	85	532 43 76-60	PARKING BRAKE HANDLE
34	532 12 37-40	SPRING	86	532 43 87-62	ACTUATOR PARKING BRAKE
35	872 05 04-12	BOLT, 1/4-20 X 1 1/2	87	532 16 54-92	SHOULDER BOLT
39	532 13 43-00	SPACER	88	532 42 81-10	CROSS BRACE
40	532 12 12-48	BUSHING, NYLON SNAP	91	532 43 74-01	TRACK CLUTCH BRKT
41	532 12 39-76	NUT, LOCK	94	874 49 05-48	BOLT
42	532 17 18-52	BOLT, 5/16-18 SHOULDER	95	532 43 67-02	BRACKET
43	873 80 05-00	NUT, 5/16-18	97	532 43 64-72	PULLEY ENGINE
44	532 43 66-12	SEAT	98	817 49 04-08	SCREW 1/4-20 X 1/2
45	817 00 05-12	BOLT, 5/16-18 X 3/4	104	818 10 10-08	SCREW #10-14 X 1/2
51	532 42 88-56	BRACKET	105	532 44 21-34	ENGINE COVER
52	532 14 50-06	CLIP PUSH-IN HINGED	106	532 43 68-34	STRAP BATTERY
53	532 43 85-62	SCREW	108	532 43 71-68	COVER REAR TRANSAXLE
54	532 43 64-73	DISC FRICTION	109	532 43 90-08	RETAINER BRAKE
55	532 43 58-08	TORSION BODY UPPER	110	532 42 21-45	CONTROL HINGE PIN
56	532 44 19-25	TORQUE ASM CONTROL LOWER	111	532 43 81-71	SHIELD, BRAKE CABLE
57	532 43 64-79	SPRING HELIX	112	817 72 04-08	SCREW THD CUT
59	819 18 24-11	WASHER 9/16ID X1 1/2OD 11G ZIN			
60	532 43 78-56	FUEL TANK ASM			
62	532 40 04-14	FUEL LINE			
63	532 41 41-19	PURGE LINE			
64	532 12 34-87	CLAMP HOSE			
65	532 43 85-96	FUEL CAP			

**NOTE:** All component dimensions given in U.S. inches  
1 inch = 25.4 mm





LRV-B\_Drive\_1

KEY NO.	PART NO.	DESCRIPTION	KEY NO.	PART NO.	DESCRIPTION
1	532 44 21-38	WHEEL ASM (REAR)	67	532 43 57-25	PLATE THROWOUT
2	532 12 17-48	WASHER, 16 GA.	68	532 43 57-28	BEARING BALL LOOSE
3	812 00 00-01	E-CLIP	69	532 43 57-27	COVER CLUTCH
6	532 15 69-72	SPACER AXLE	70	532 41 15-55	GRIP LEVER
7	874 78 04-28	HCS 1/4-20 X 1-3/4 GR 5 ZD	71	532 43 68-65	TUBE SHIFT LRV
8	532 43 66-95	WELMENT SUPPORT AXLE RH	72	872 11 04-06	BOLT CARR.
9	532 44 19-36	SUBASM FINAL DRIVE	73	873 68 04-00	NUT CROWNLOCK 1/4 - 20 UNC
10	532 10 05-12	SCREW 5/16 - 18 X 3/4	75	532 43 67-58	BRACKET MOUNT SHIFT
11	532 43 67-41	BRACKET.SUPPORT.RH	76	532 18 39-00	HUB SHIFT
12	532 43 61-48	CASE CHAIN RH	78	532 42 90-55	SPACER NYLON .866 X 1.25 X .250
13	532 43 72-80	BEARING BALL 6204-SRS	79	874 78 04-12	BOLT.FIN.HEX.1/4-20UNCX.75
14	532 43 71-76	SPROCKET DRIVEN 37 TOOTH	80	810 04 04-00	WASHER LOCK HVY HLCL SPRING
15	532 43 61-47	TUBE INPUT HEX	81	819 09 12-10	WASHER 9/32 X 3/4 X 10 GA.
16	532 43 61-53	CHAIN PRIMARY DRIVE	84	819 11 16-10	WASHER 11/32 X 1.00 X 10 GA.
17	532 43 72-82	BEARING BALL 6204-3-2RS	85	532 43 69-14	SPRING FRICTION PACK
18	532 43 61-49	CASE CHAIN LH	86	532 43 73-04	BUSHING PACK FRICTION FD2
19	818 05 10-10	SCREW 10 - 24 X 5/8 PAN HEAD TORX	87	532 43 69-48	WASHER PLASTIC
20	532 12 49-31	WASHER THRUST .75 X 1.230	88	532 43 67-01	STUD PACK FRICTION
22	532 43 66-96	WELMENT SUPPORT AXLE LH	89	532 43 72-99	SPACER PACK FRICTION FD2
23	818 10 10-08	SCREW TORX #10 - 14 X 1/2	90	819 11 14-16	WASHER.11/32 X 7/8 X 16 GA.
27	532 16 60-02	WASHER SRRTD 5/16 X 1 X .125	91	532 43 69-24	SUBASM.LINK.SHIFT
32	532 43 61-51	BLOCK TENSION CHAIN	94	532 43 69-18	WELDMENT.SHIFT.FD2
33	532 43 61-50	SPRING ADJUSTER TENSION	95	532 43 68-66	PLATE.SHIFT
34	877 10 10-40	PIN CLEVIS 5/16 X 2-1/2	96	532 43 77-67	DRUM CLUTCH MULTI DISC
36	532 43 57-22	SHAFT INPUT CLUTCH	97	532 43 69-25	SUBASM LINK SHIFT PRIMARY
37	532 43 61-52	SPROCKET SPLINED 14 TOOTH	98	532 15 03-60	NUT LOCK CENTER 1/4 - 28 FNTHD
39	532 43 04-70	BEARING BALL	101	817 06 06-24	SCREW.3/8-16X1-1/2. SMGML TAP/R
40	532 43 69-39	ARM BRAKE	102	532 08 67-77	THREAD.CUTTER
41	532 10 95-53	SWITCH INTLK CL MWR GRY 4 TERM	103	532 10 98-69	SWITCH.SEAT.
43	873 80 05-00	NUT LOCK HEX W/INSERT 5/16 - 18 UNC	104	532 43 77-81	HUB CENTER
44	532 43 66-52	COVER END HEX	105	532 43 61-42	SPRING WAVE C125-H5
45	532 43 61-54	SPRING DRIVE	106	532 19 43-21	SPACER RETAINER
47	532 43 69-49	BRACKET MOUNT CABLE LRV B	107	532 12 47-88	PIN COTTER
48	817 54 10-16	SCREW.HEX.HEAD WASH.10-24X1.00	108	532 43 67-84	BUSHING.5/16IDX7/16ODX1/2
51	532 43 67-39	BRACKET SUPPORT LH	109	532 43 64-99	CAP.HUB.AXLE.1.50 X 1.00. MS613
53	873 90 06-00	LOCK NUT, FLANGED	110	532 42 84-61	BRACKET SHIFTER FLEX
54	532 43 57-26	BEARING BALL	111	532 12 35-83	KEY.SQUARE.2.0X.1845/1865
55	532 43 77-77	COVER WHEEL CLUTCH	112	818 10 10-12	SCREW TORX #10-14 X .750
57	532 43 65-59	WHEEL FRICTION	113	873 90 05-00	NUT LOCK HEX FLANGE 5/16-18
59	532 44 10-97	PLATE.CLUTCH.DRIVE	114	532 07 67-15	FLANGED BEARING
60	532 43 77-87	PLATE PRESSURE DRIVE			
62	532 43 77-86	PLATE CLUTCH BRAKE			
63	532 43 77-85	PLATE PRESSURE BRAKE			
65	532 43 57-23	PLATE PRESSURE MASTER			
66	532 43 57-24	BEARING THRUST 20MM			

**NOTE:** All component dimensions given in U.S. inches  
1 inch = 25.4 mm