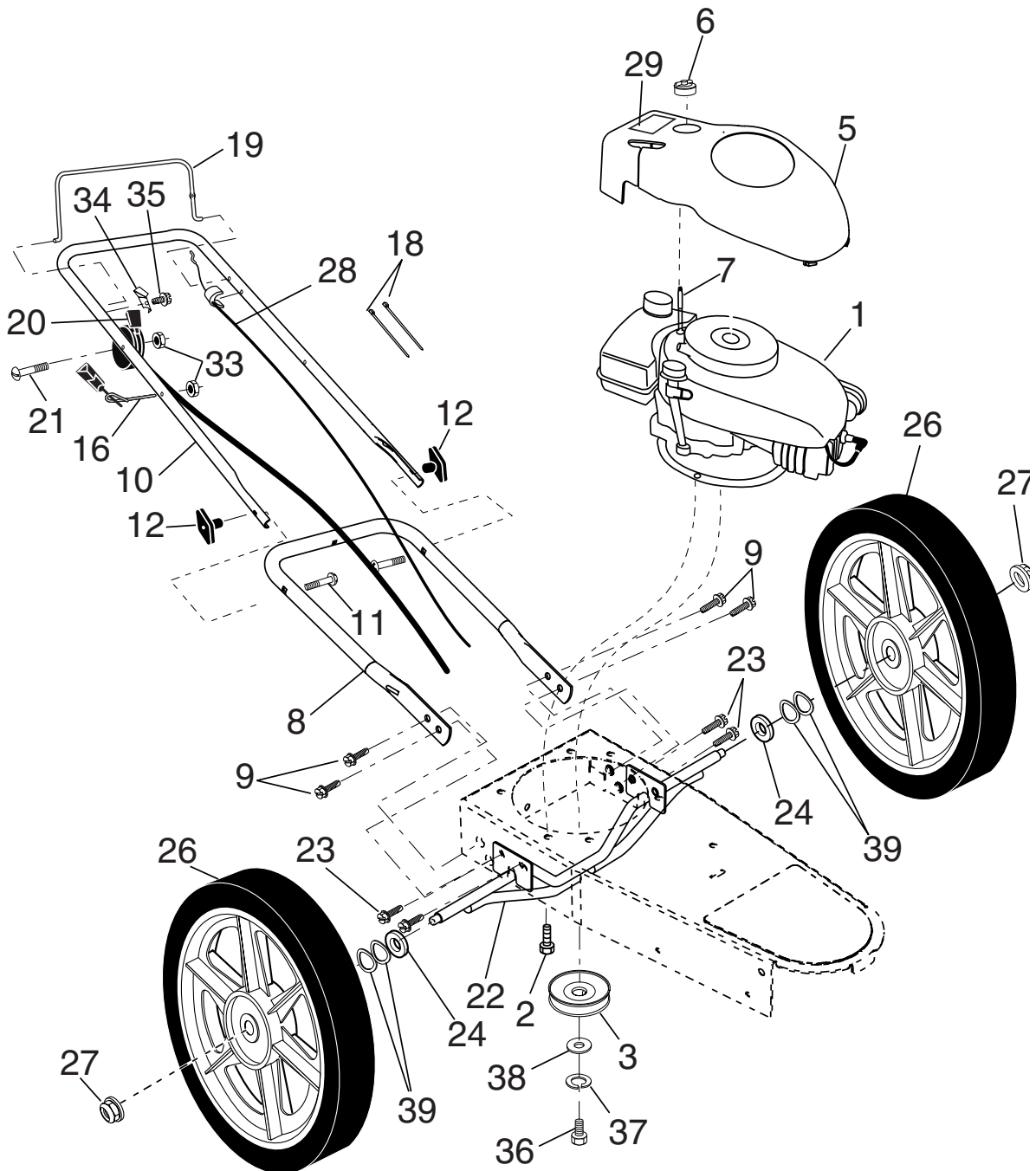


# WEEDTRIMMER - - MODEL NUMBER WT4000G

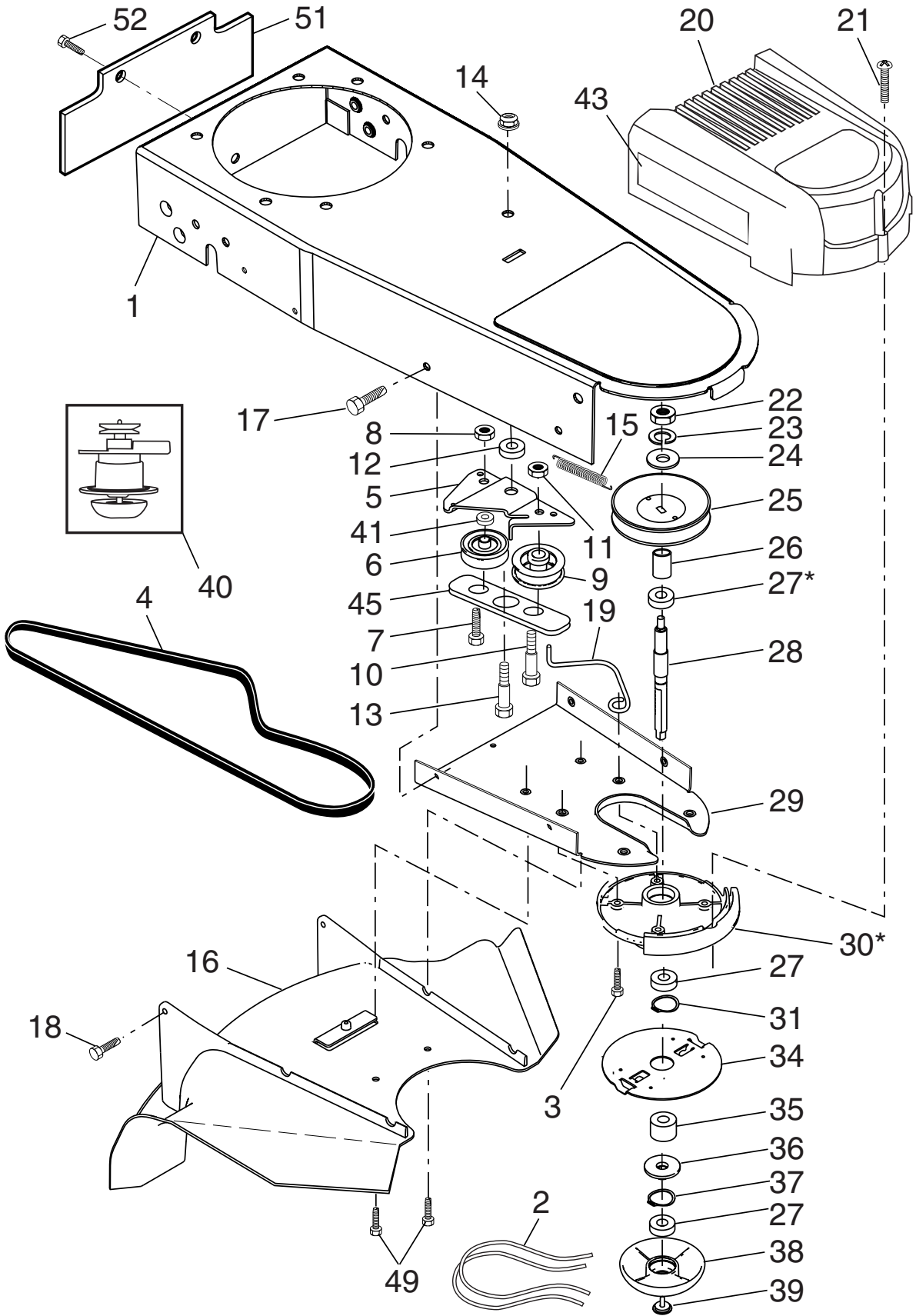


# WEEDTRIMMER - - MODEL NUMBER WT4000G

KEY NO.	PART NO.	DESCRIPTION
1	- - -	Engine, Tecumseh, Model Number LV195 (For engine service and replacement parts, call Tecumseh Products at 1-800-558-5402)
2	150406	Bolt, Engine Mounting 3/8-16
3	179466	Pulley, Engine
5	181701	Cover, Engine, with Screen
6	174274	Knob, Engine Cover
7	174030	Stud, Engine Cover
8	169821X479	Handle, Lower
9	150078	Screw, Hex Washer Head 5/16-18 x .75
10	169797X479	Handle, Upper
11	131959	Bolt, Handle
12	136376	Knob, Handle
16	179585	Guide, Rope
18	66426	Wire Tire
19	176983	Control Bar
20	174934	Throttle Control
21	158755	Screw, Hex Washer Head
22	169787	Axle Shaft Assembly
23	<b>173715</b>	Screw
24	169789	Spacer, Axle
26	174721	Wheel, 10 x 1.75
27	83923	Hex Flange Locknut 3/8-16
28	181699	Drive Control
29	<b>174598</b>	Decal, Warning
33	132004	Nut
34	86899X004	Bracket, Upstop
35	750634	Screw, Threaded, Rolled #10-24 x 1/2
36	851084	Bolt, Hex Head
37	850263	Washer, Lock
38	851074	Washer, Flat, Hardened
39	57143	Washer, Wave
--	177817	Operator's Manual, English
--	180102	Operator's Manual, French
--	<b>191182</b>	Repair Parts Manual, English / French

**NOTE:** All component dimensions given in U.S. inches  
1 inch = 25.4 mm

# WEEDTRIMMER - - MODEL NUMBER WT4000G



# WEEDTRIMMER - - MODEL NUMBER WT4000G

KEY NO.	PART NO.	DESCRIPTION
1	174024X550	Chassis Assembly
2	174040	Line, .130 diameter x 16.75 long
3	173715	Screw, Self-Tapping 5/16-18 x 1
4	185476	V-Belt
5	172145X004	Bracket, Idler
6	166042	Pulley, Idler, V-Groove
7	173716	Bolt, Hex Head 3/8-16 x 1.25
8	751592	Locknut 3/8-16
9	166043	Pulley, Idler, Flat
10	160829	Shoulder Bolt
11	155552	Locknut 5/16-18
12	173717	Spacer
13	174719	Bolt, Shoulder
14	145212	Locknut, Flange
15	173811	Spring, Return
16	180268	Deflector, Bottom
17	57808	Screw 1/4-20 x 1/2
18	178848	Screw #10-24 x 3/4
19	<b>187336</b>	Belt Keeper
20	169764	Chassis Cover, Top
21	149746	Screw #10-24 x 1-3/4
22	73800600	Nut 3/8-24UNF
23	10040600	Lockwasher 3/8
24	19131316	Flatwasher 3/8
25	180340	Pulley, Driven
26	172551	Spacer, Pulley
27	174549	Bearing, Upper
28	172603	Jackshaft
29	169766X479	Cover, Bottom
30	174543	Spindle Housing Assembly (Includes Upper Bearing, Key #27)
31	174581	Retaining Ring, 17mm, External
34	173531	Carrier Plate Assembly, Fixed
35	172635	Spacer
36	172516	Cover, Bearing
37	174580	Retaining Ring, 40mm, Internal
38	182217	Mow Ball Assembly (Includes Key Numbers 27 and 37)
39	180334	Bolt, Mow Ball
40	173619	Head Assembly, Complete (Includes Key #22-28 and #30-39)
41	174029	Spacer
43	<b>174036</b>	Decal, Instruction
45	174596X479	Bottom Belt Keeper
49	17060408	Screw
51	179875	Skirt
52	178848	Screw

**NOTE:** All component dimensions given in U.S. inches  
1 inch = 25.4 mm

## LIMITED WARRANTY

The Manufacturer warrants to the original consumer purchaser that this product as manufactured is free from defects in materials and workmanship. For a period of two (2) years from date of purchase by the original consumer purchaser, we will repair or replace, at our option, without charge for parts or labor incurred in replacing parts, any part which we find to be defective due to materials or workmanship. This Warranty is subject to the following limitations and exclusions.

1. This warranty does not apply to the engine. Please refer to the applicable manufacturer's warranty on these items.
2. Transportation charges for the movement of any power equipment unit or attachment are the responsibility of the purchaser. Transportation charges for any parts submitted for replacement under this warranty must be paid by the purchaser unless such return is requested by Electrolux Home Products.
3. The Warranty period for any products used for rental or commercial purposes is limited to 45 days from the date of original purchase.
4. This Warranty applies only to products which have been properly assembled, adjusted, operated, and maintained in accordance with the instructions furnished. This Warranty does not apply to any product which has been subjected to alteration, misuse, abuse, improper assembly or installation, delivery damage, or to normal wear of the product.
5. Exclusions: Excluded from this Warranty are belts, rotating lines, rotating line adapters, normal wear, normal adjustments, standard hardware and normal maintenance.
6. In the event you have a claim under this Warranty, you must return the product to an authorized service dealer.

Should you have any unanswered questions concerning this Warranty, please contact:

Electrolux Home Products, Inc.  
Outdoor Products Customer Service Dept.  
250 Bobby Jones Expressway  
Augusta, GA 30909 USA

In Canada contact:

Electrolux Canada Corp.  
7075 Ordan Drive  
Mississauga, Ontario  
L5T 1K6

giving the model number, serial number and date of purchase of your product and the name and address of the authorized dealer from whom it was purchased.

**THIS WARRANTY DOES NOT APPLY TO INCIDENTAL OR CONSEQUENTIAL DAMAGES AND ANY IMPLIED WARRANTIES ARE LIMITED TO THE SAME TIME PERIODS STATED HEREIN FOR OUR EXPRESSED WARRANTIES.**

Some areas do not allow the limitation of consequential damages or limitations of how long an implied Warranty may last, so the above limitations or exclusions may not apply to you. This Warranty gives you specific legal rights, and you may have other rights which vary from locale to locale.

This is a limited Warranty within the meaning of that term as defined in the Magnuson-Moss Act of 1975.