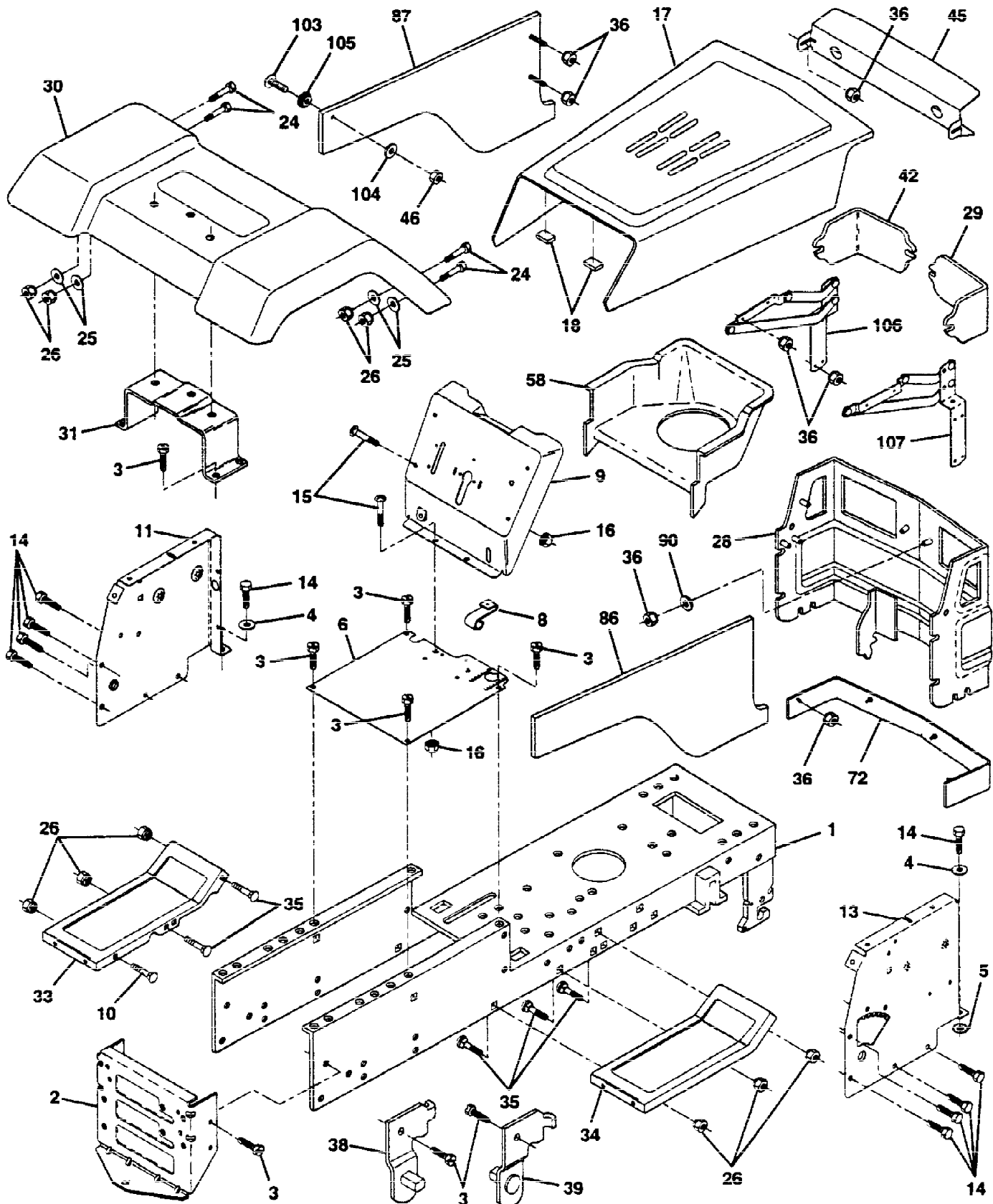


TRACTOR -- MODEL NUMBER Y12542D

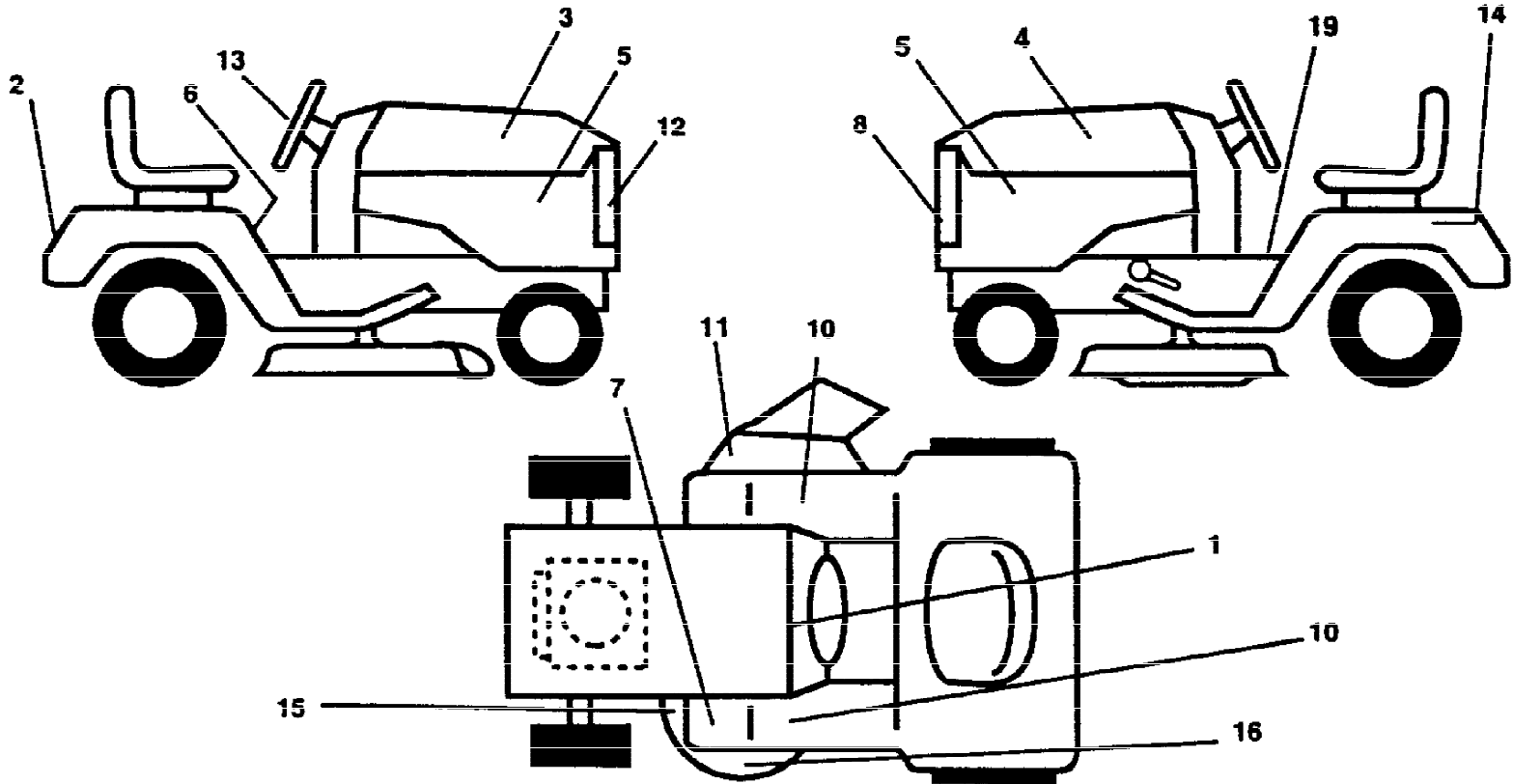
CHASSIS AND ENCLOSURES



| Ref # | Part Number | Qty | Description |
|-------|-------------|-----|-------------------|
| 1 | 140341 | | SUB= 145501 |
| 2 | 140356 | | SUB= 145009 |
| 3 | 17490612 | | SCREW |
| 4 | 19131216 | | WASHER |
| 5 | 11050600 | | LOCKWASHER |
| 6 | 145206 | | SUB= 145206X431 |
| 8 | 126471X | | "CLIP,INSULATOR" |
| 9 | 140637X011 | | DASH SILKSCRN 1 |
| 10 | 72140608 | | SUB= 72110608 |
| 11 | 135464 | | DASH PANEL LH |
| 13 | 124031X012 | | SUB= 155934X010 |
| 14 | 17490608 | | SCREW LT |
| 15 | 74180512 | | SCREW |
| 16 | 73510500 | | NUT |
| 17 | 105682X505 | | HOOD ASM. |
| 18 | 126938X | | SUB= 532126938 |
| 24 | 74780616 | | BOLT |
| 25 | 19131312 | | WASHER |
| 26 | 73800600 | | NUT |
| 28 | | | UNKNOWN |
| 29 | 128313 | | SUB= 532128313 |
| 29 | 108360X | | LENS RH LT |
| 30 | 140001X505 | | FENDER PNT LT |
| 31 | 136619 | | BRKT FENDER |
| 33 | 105465X505 | | SUB= 145244X505 |
| 34 | 105464X505 | | SUB= 145243X505 |
| 35 | 72110606 | | BOLT |
| 36 | 108067X | | PAL NUT LT |
| 38 | 139886 | | BRACKET ASM LH |
| 39 | 139887 | | BRACKET ASM RH |
| 42 | 108361X | | LENS LH LT |
| 45 | 132257 | | SUB= 918132257 |
| 46 | 127316X | | RETAINER |
| 58 | 106213X | | "DUCT, INTAKE T" |
| 72 | 109745X505 | | STRAP ASM GRILL |
| 86 | 106927X505 | | SIDE PANEL ASM RH |
| 87 | 106929X505 | | SIDE PANEL ASM LH |
| 90 | 19091216 | | WASHER PM |
| 103 | 127317X | | "SCREW,SPECIAL" |
| 104 | 129664 | | WASHER |
| 105 | 127318X | | "GROMMET,PLASTIC" |
| 106 | 105797X | | "HINGE,HOOD,LH T" |
| 107 | 105792X | | "HINGE,HOOD,RH T" |
| | 5479J | | PLUG BUTTON T |

TRACTOR - - MODEL NUMBER Y12542D

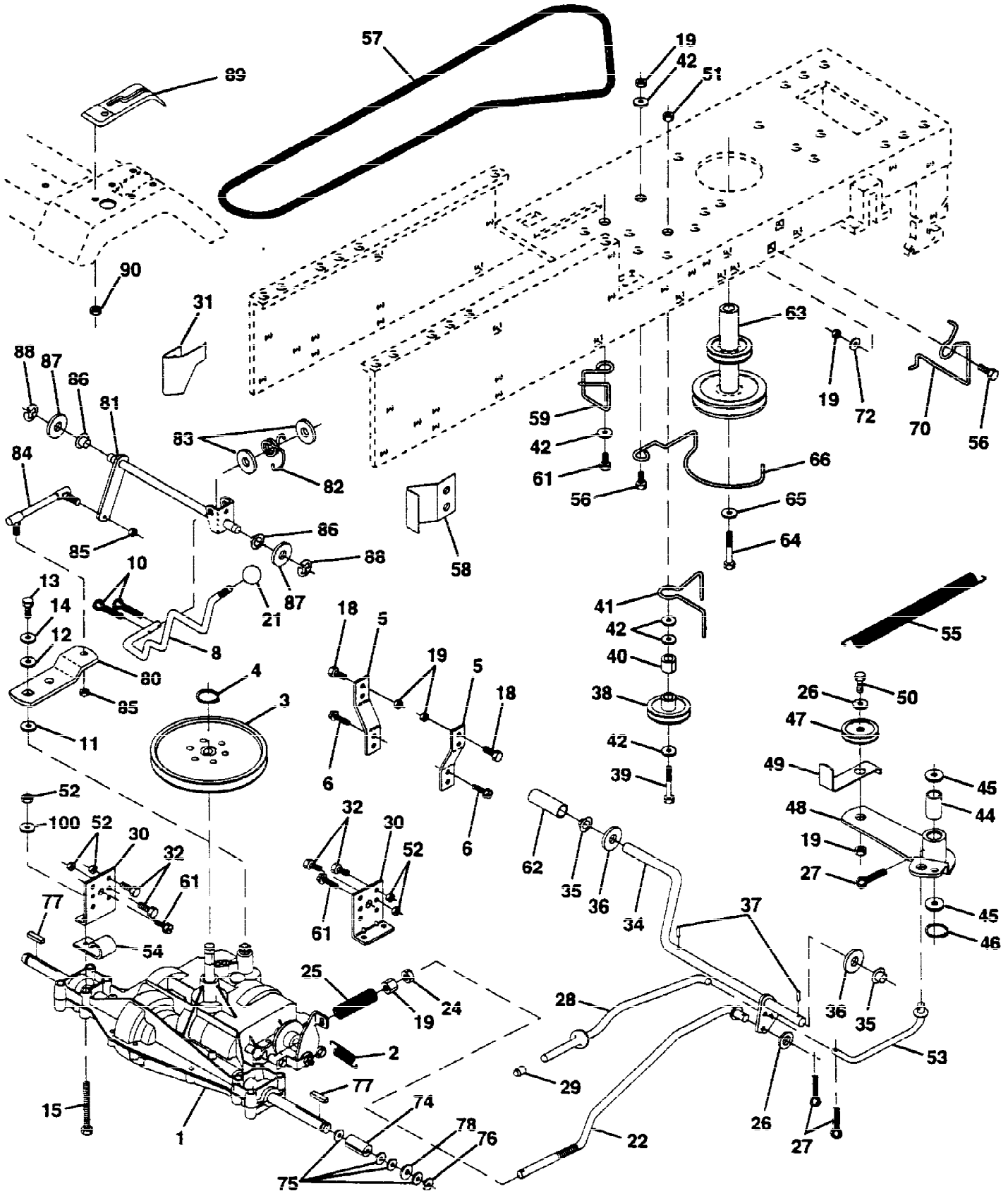
DECALS



| Ref # | Part Number | Qty | Description |
|-------|-------------|-----|-------------------|
| 1 | 138956 | | DECAL.DASH.INSTR. |
| 2 | 123689X | | NLA |
| 3 | 124151X | | NLA |
| 4 | 124152X | | NLA |
| 5 | 138448 | | DECAL.PANEL.SIDE |
| 6 | 133795 | | DECAL CAUTION |
| 7 | 101892X | | DECAL T |
| 8 | 105807X | | NLA |
| 10 | 133671 | | FOOTREST PAD |
| 11 | 137259 | | "DECAL, WARNING" |
| 12 | 139141 | | DECAL.GRILL.YARDP |
| 13 | 138658 | | DECAL.INSERT.STRG |
| 14 | 121549X | | DECAL |
| 15 | 136832 | | DECAL |
| 16 | 135013 | | NLA |
| 19 | 140837 | | DECAL BRAK PARK |
| | 138311 | | DECAL HANDLE LIFT |
| | 145278 | | MANUAL.OP.GENERIC |
| | 145941 | | MANUAL.P.Y12542D |
| | LBD48 | | SNOW BLADE |
| | LSB42 | | SNOW THROWER |
| | C42 | | GRASS CATCHER |

TRACTOR -- MODEL NUMBER Y12542D

DRIVE

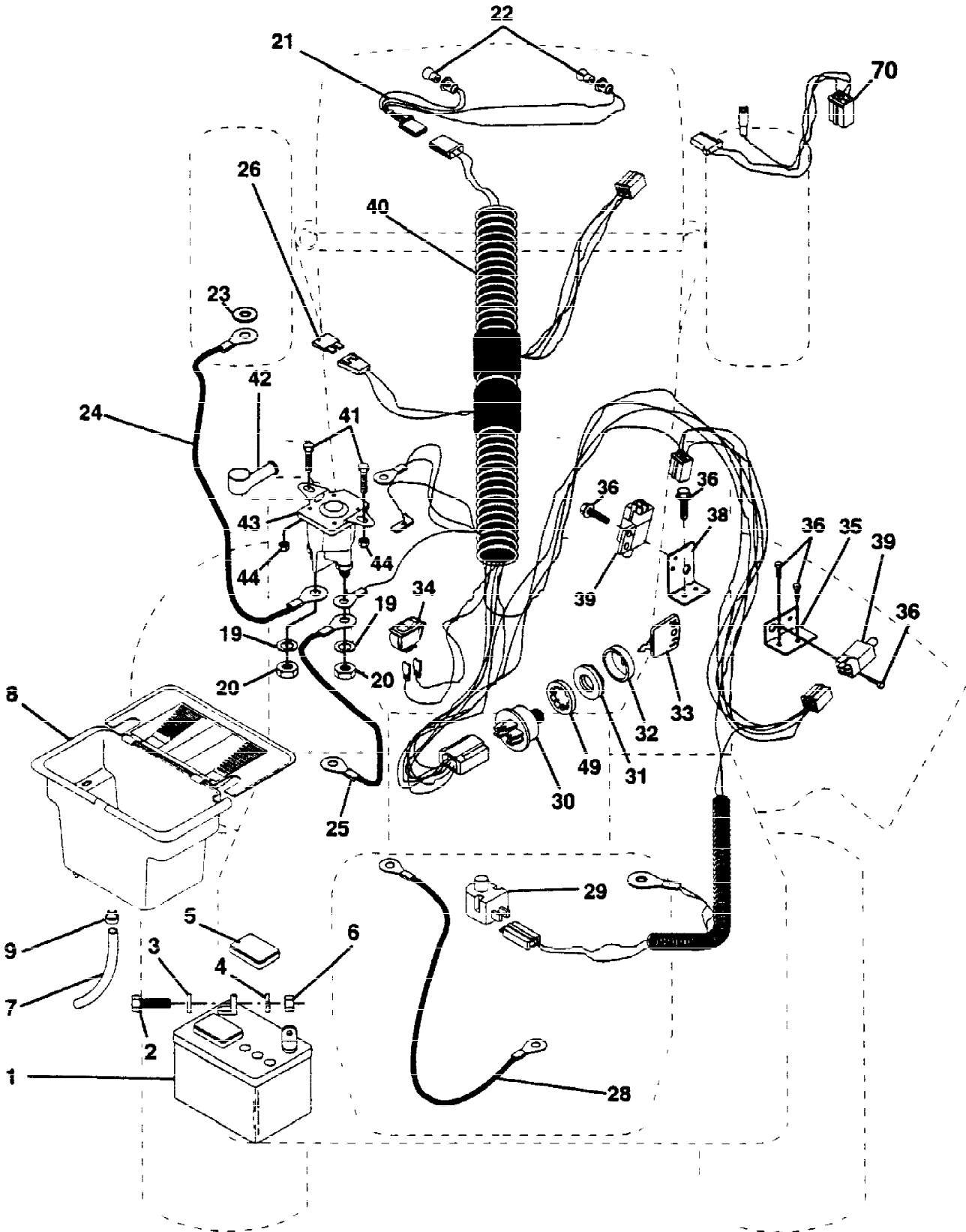


| Ref # | Part Number | Qty | Description |
|-------|-------------|-----|---------------------|
| 1 | 142603 | | SUB= 160664 |
| 2 | 110422X | | SUB= 146682 |
| 3 | 123666X | | PULLEY TRANS |
| 4 | 12000028 | | SUB= 2267J |
| 5 | 121520X | | STRAP TORQUE |
| 6 | 17490512 | | SCREW |
| 8 | 141003 | | ROD SHIFT FEND LT |
| 10 | 76020416 | | PIN COTTER 1/8 |
| 11 | 105701X | | WASH-SHFT PLT LT |
| 12 | 19151216 | | WASHER |
| 13 | 74550412 | | BOLT.1/4-28.W/PAT |
| 14 | 10040400 | | LOCKWASHER |
| 15 | 74780544 | | BOLT HEX |
| 18 | 74780616 | | BOLT |
| 19 | 73800600 | | NUT |
| 21 | 106933X | | KNOB T (1/2-HOLE) |
| 22 | 130804 | | BRAKE ROD |
| 24 | 73350600 | | NUT |
| 25 | 106888X | | SPRING ROD LT |
| 26 | 19131316 | | WASHER |
| 27 | 76020412 | | COTTER PIN |
| 28 | 140448 | | ROD PARK BRAKE |
| 29 | 71673 | | PLUNGER CAP T |
| 30 | 130807 | | TRANSAXLE MTG BKT |
| 31 | 127275X | | "KEEPER,BELT LH T" |
| 32 | 74760512 | | BOLT |
| 34 | 122424X | | SUB= 149001 |
| 35 | 120183X | | NYLON BEARING |
| 36 | 19211616 | | WASHER LT |
| 37 | 1572H | | SUB= 2882J |
| 38 | 123674X | | PULLEY.IDLER.FLAT |
| 39 | 74760644 | | BOLT |
| 40 | 4470J | | SPACER T |
| 41 | 109070X | | BELT KEEPER LT |
| 42 | 19131312 | | WASHER |
| 44 | 105706X | | "LY, BEARING" |
| 45 | 110812X | | WASHER LT |
| 46 | 12000039 | | KLIP RING |
| 47 | 127783 | | SUB= 139245 |
| 48 | 123789X | | ARM IDLER |
| 49 | 123205X | | RETAIN BELT |
| 50 | 74760624 | | SUB= 74930624 |
| 51 | 73680600 | | SUB= 73690600 |
| 52 | 73680500 | | SUB= 73690500 |
| 53 | 105710X | | "LINK, CLUTCH T" |
| 54 | | | UNKNOWN |
| 55 | 105709X | | "SPRING, RETURN LT" |
| 56 | 74760620 | | SUB= 74780620 |
| 57 | 130801 | | SUB= 138255 |
| 58 | 127274X | | "KEEPER,BELT RH T" |
| 59 | 140312 | | KEEPER BELT CNTSP |
| 61 | 17490612 | | SCREW |
| 62 | 8883R | | PEDAL COVER T |

| Ref # | Part Number | Qty | Description |
|-------|-------------|-----|-------------------|
| 63 | 140186 | | PULLEY.ENGINE |
| 64 | 71170764 | | BOLT |
| 65 | 10040700 | | LOCKWASHER |
| 66 | 129921 | | KEEPER.BELT.ENG.L |
| 70 | 134683 | | KEEPER BELT ENG |
| 72 | 19132012 | | WASHER |
| 74 | 109502X | | SPACER LT |
| 75 | 121749X | | WASHER |
| 76 | 12000001 | | E-RING LT |
| 77 | 123583X | | SQUARE KEY |
| 78 | 121748X | | WASHER |
| 80 | 131488 | | SHIFT LEVER |
| 81 | 136932 | | SHAFT ASM SHIFT |
| 82 | 123782X | | "SPRING,TORSION" |
| 83 | 19171216 | | WASHER |
| 84 | 132182 | | TIE ROD |
| 85 | 73530400 | | NUT 1/4-28 |
| 86 | 71208 | | BUSHING |
| 87 | 19212016 | | WASHER D |
| 88 | 12000008 | | KLIP RING |
| 89 | 139964 | | SUB= 918139964 |
| 90 | 124346X | | NUT |
| 100 | 19111216 | | WASHER M |

TRACTOR -- MODEL NUMBER Y12542D

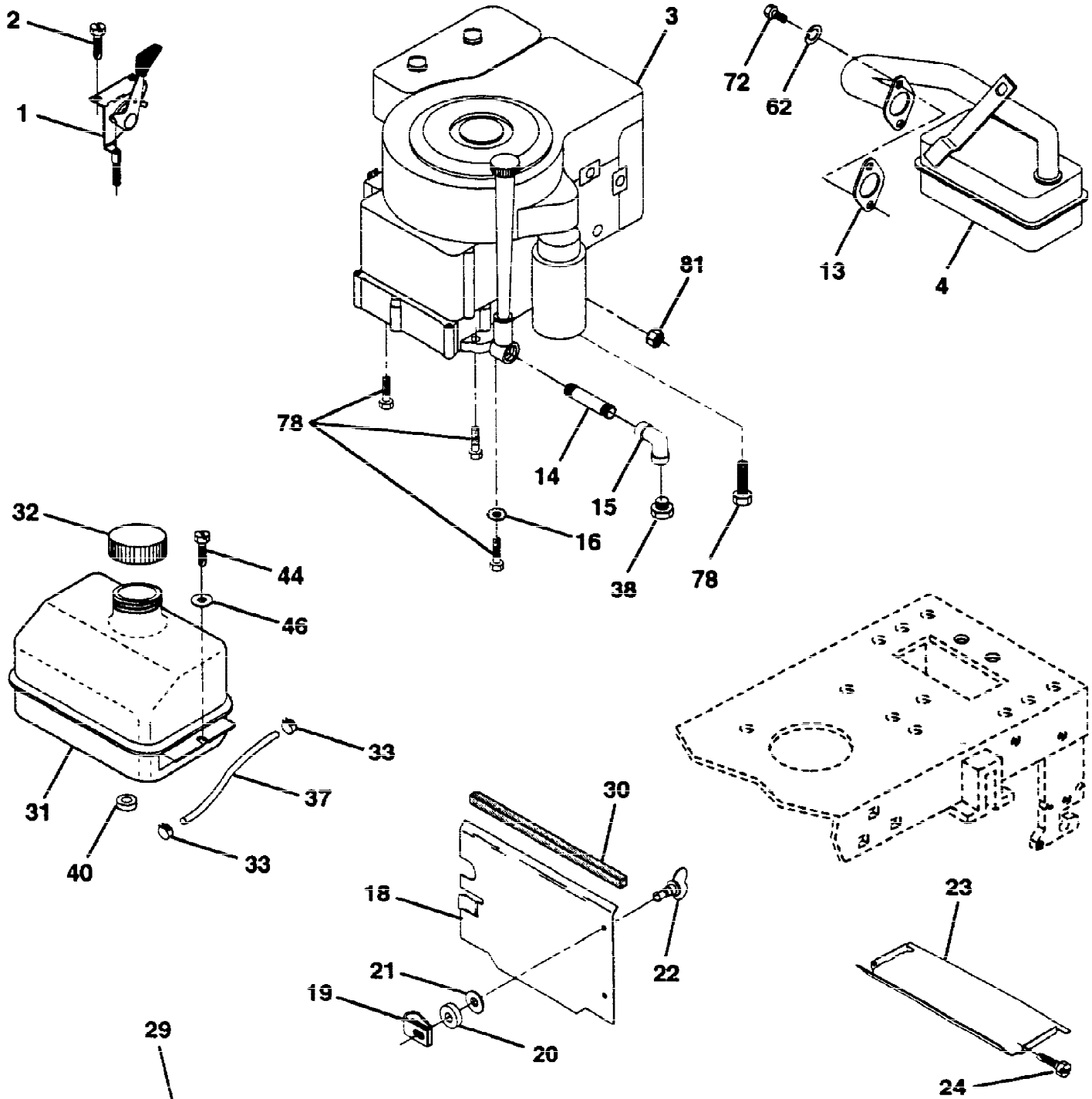
ELECTRICAL



| Ref # | Part Number | Qty | Description |
|-------|-------------|-----|---------------------|
| 1 | 121265X | | SUB= 123899X |
| 2 | 74760412 | | BOLT LT |
| 3 | 19091016 | | WASHER |
| 4 | 10040400 | | LOCKWASHER |
| 5 | 121264X | | "CAP,BATTERY " |
| 6 | 73220400 | | SUB= 50675 |
| 7 | 109238X | | TUBE T |
| 8 | 129965 | | SUB= 156417 |
| 9 | 109596X | | HOSE CLAMP T |
| 19 | 10090400 | | SUB= 10040400 |
| 20 | 73350400 | | NUT |
| 21 | 136850 | | "HARNES, LIGHT SOC" |
| 22 | 4152J | | HEADLAMP BULB |
| 23 | 11150400 | | LOCKWASHER |
| 24 | 4799J | | "CABLE T, BATTERY" |
| 25 | 132202 | | SUB= 146147 |
| 26 | 108824X | | FUSE HYT |
| 28 | 4207J | | CABLE T |
| 29 | 121305X | | SWITCH SEAT |
| 30 | 144921 | | SUB= 163088 |
| 31 | 140400 | | SUB= 145774 |
| 32 | 141226 | | COVER KEY SWITCH |
| 33 | 140401 | | KEY MLD GEN DELTA |
| 34 | 110712X | | SWITCH LT |
| 35 | 108236X | | BRACKET LT |
| 36 | 17021008 | | SCREW |
| 38 | 140336 | | BRACKET SWITCH IN |
| 39 | 109553X | | SWITCH INTERLOCKT |
| 40 | 140415 | | HARNES IGN DASH |
| 41 | 71110408 | | BOLT HXHD FIN |
| 42 | 131563 | | SUB= 154336 |
| 43 | 138406 | | SUB= 146154 |
| 44 | 73640400 | | NUT HXKEP 1/4X20 |
| 49 | 11151000 | | LOCKWASHER |
| 70 | 140413 | | HARNES ENG DUAL |

TRACTOR - - MODEL NUMBER Y12542D

ENGINE



OPTIONAL EQUIPMENT
Spark Arrester

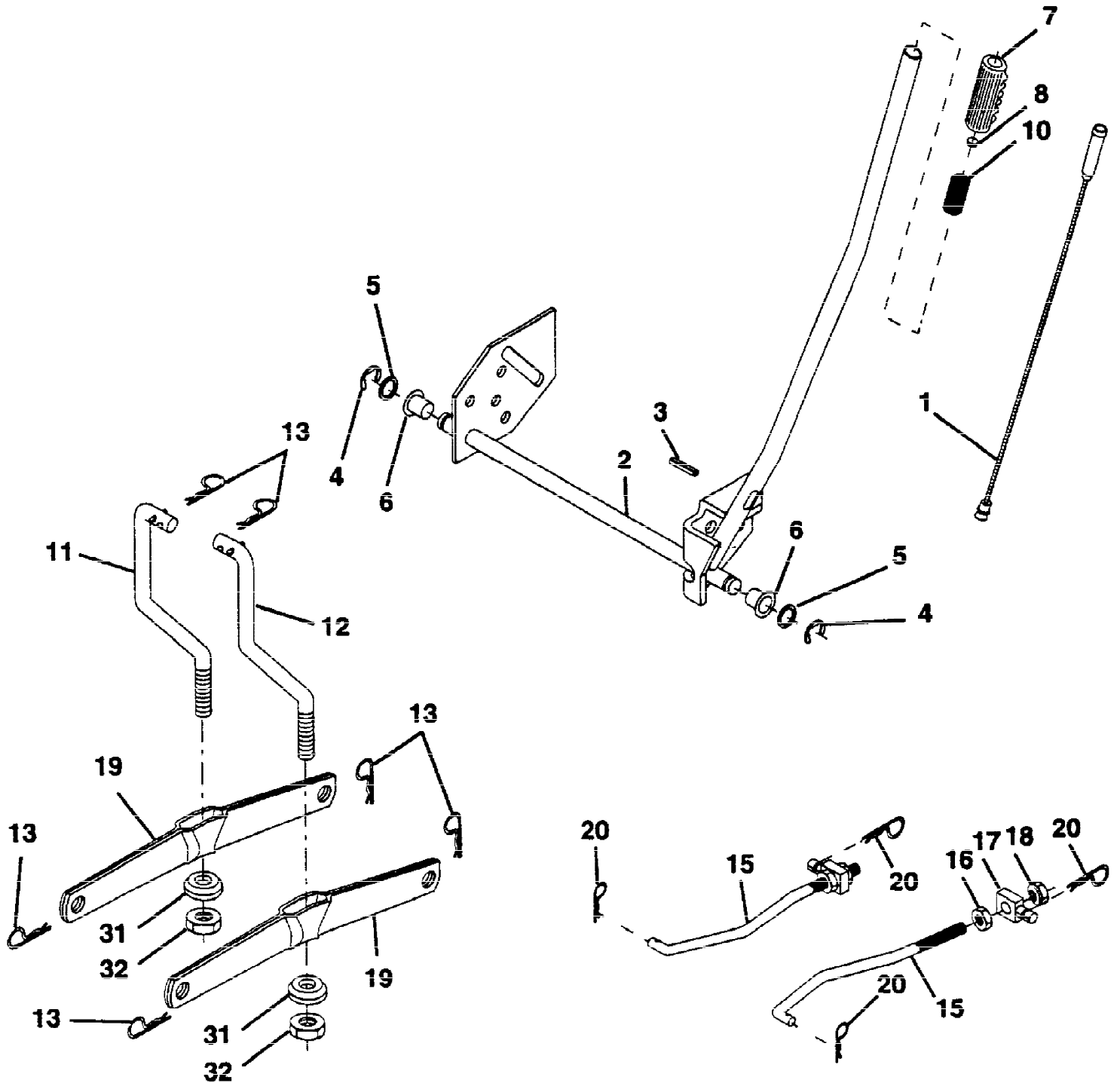
| Ref # | Part Number | Qty | Description |
|-------|-------------|-----|------------------|
| 1 | 132771 | | THROTTLE CONTROL |
| 2 | 17720410 | | SCREW LT |
| 3 | | | REFER TO IMAGE |
| 4 | 137348 | | MUFFLER |
| 13 | 125593X | | SUB= 272293 |
| 14 | 13280324 | | PIPE NIPPLE |
| 15 | 13200300 | | ELBOW |
| 16 | 11050600 | | LOCKWASHER |
| 18 | 136718 | | SHIELD HEAT |
| 19 | 105839X | | RECEPTACLE LT |
| 20 | 105838X | | RETAINER LT |
| 21 | 19091016 | | WASHER |
| 22 | 123650X | | STUD.1/4.TURN |
| 23 | 128953 | | HEAT SHIELD |
| 24 | 17021008 | | SCREW |
| 29 | 137180 | | SUB= 532137180 |
| 30 | 127057X | | SUB= 532127057 |
| 31 | 109202X | | TANK.FUEL.LT. |
| 32 | 140527 | | CAP ASM FUEL |
| 33 | 123487X | | HOSE CLAMP |
| 37 | 137040 | | LINE FUEL |
| 38 | | | REFER TO IMAGE |
| 40 | 124028X | | SUB= 532124028 |
| 44 | 17490412 | | SCREW HEX CRT |
| 46 | 19091416 | | WASHER |
| 62 | 10040500 | | LOCKWASHER |
| 72 | 71070512 | | SCREW |
| 78 | 17490620 | | SCREW |
| 81 | 73510400 | | NUT |

| Ref # | Part Number | Qty | Description |
|-------|-------------|-----|---------------------|
| 1 | 144393 | | DECK.WELD.42. |
| 2 | 72140506 | | BOLT |
| 3 | 138017 | | BRKT ASM SWAY BAR |
| 4 | 138440 | | BRKT DECK SW BAR |
| 5 | 4939M | | SUB= 85902 |
| 6 | 130832 | | SUB= 130833 |
| 8 | 850857 | | BLADE BOLT |
| 9 | 10030600 | | SUB= 10040600 |
| 10 | 140296 | | WASHER.HARD.BLADE |
| 11 | 138498 | | "BLADE.42"" HIPERF" |
| 12 | 129895 | | BEARING.BALL |
| 13 | 137645 | | SUB= 137646 |
| 14 | 128774 | | HSG ASM MANDREL |
| 15 | 110485X | | BEARING |
| 16 | 140329 | | STRIPPER RND MWR |
| 17 | 72110610 | | BOLT RDHD 3/8-16 |
| 18 | 72140505 | | BOLT |
| 19 | 132827 | | BOLT SHD 5/16-18 |
| 20 | 136888 | | SUB= 918136888 |
| 21 | 73680500 | | SUB= 73690500 |
| 22 | 134753 | | STIFFENER BRKT |
| 23 | 131267 | | DEFLECTOR BRKT |
| 24 | 105304X | | CAP-SLEEVE LT |
| 25 | 123713X | | SPRING TORSION |
| 26 | 110452X | | NUT PUSH M |
| 27 | 130968 | | DEFLECTOR.SHIELD |
| 28 | 19111016 | | WASHER |
| 29 | 131491 | | HINGE ROD |
| 30 | 138776 | | SUB= 157722 |
| 31 | 129963 | | WASHER |
| 32 | 129861 | | SUB= 153535 |
| 33 | 137266 | | SUB= 139729 |
| 34 | 72110614 | | BOLT |
| 35 | 133835 | | XMAS TREE FASTNER |
| 36 | 131494 | | FLAT IDLER PULLEY |
| 37 | 19131316 | | WASHER |
| 40 | 73680600 | | SUB= 73690600 |
| 41 | 133551 | | PIVOT ROD |
| 43 | 140083 | | ROD CLUTCH W/NIBS |
| 44 | 140088 | | GUARD MAND LH BLK |
| 45 | 4497H | | RETAINER M |
| 46 | 137729 | | SCREW.1/4-20X5/8 |
| 48 | 133944 | | HARD SMALL WASHER |
| 49 | 133940 | | SUB= 151785 |
| 50 | 131340 | | SHOULDER BOLT |
| 51 | 69180 | | LOCKNUT |
| 52 | 139888 | | BOLT.SHLD.5/16-18 |
| 53 | 131845 | | BRAKE PAD ARM ASM |
| 54 | 133943 | | HARDENED WASHER |
| 55 | 140084 | | SUB= 151785 |
| 56 | 122052X | | SPACER RETAINER |
| 58 | 140086 | | SPRING TORSN BRAK |
| 59 | 141043 | | GUARD IDLER TUV |

| Ref # | Part Number | Qty | Description |
|-------|-------------|-----|-------------------|
| 67 | 106932X | | KNOB T(3/8 HOLE) |
| 68 | 144200 | | BELT.V.T-PATH |
| 71 | 142427 | | ROD CLUTCH 38/42 |
| 72 | 131870 | | RETURN SPRING |
| 73 | 127847 | | CLUTCH ARM SECOND |
| 74 | 121748X | | WASHER |
| 75 | 12000029 | | RING |
| 76 | 128903 | | SHOULDER BOLT |
| 77 | 127845 | | SPRING KEEPER |
| 78 | 140334 | | SUB= 154810 |
| 79 | 127498 | | BUSHING |
| 80 | 128759 | | SUB= 918128759 |
| 81 | 73350600 | | NUT |
| 82 | 142028 | | TRUNION ADJ |
| 83 | 120958X | | WASHER |
| 84 | 144394 | | SUB= 156084 |
| 85 | 72140620 | | BOLT |
| 92 | 73800600 | | NUT |
| | 130794 | | MANDREL ASM |
| | 144783 | | SUB= 164962 |

TRACTOR - - MODEL NUMBER Y12542D

MOWER LIFT

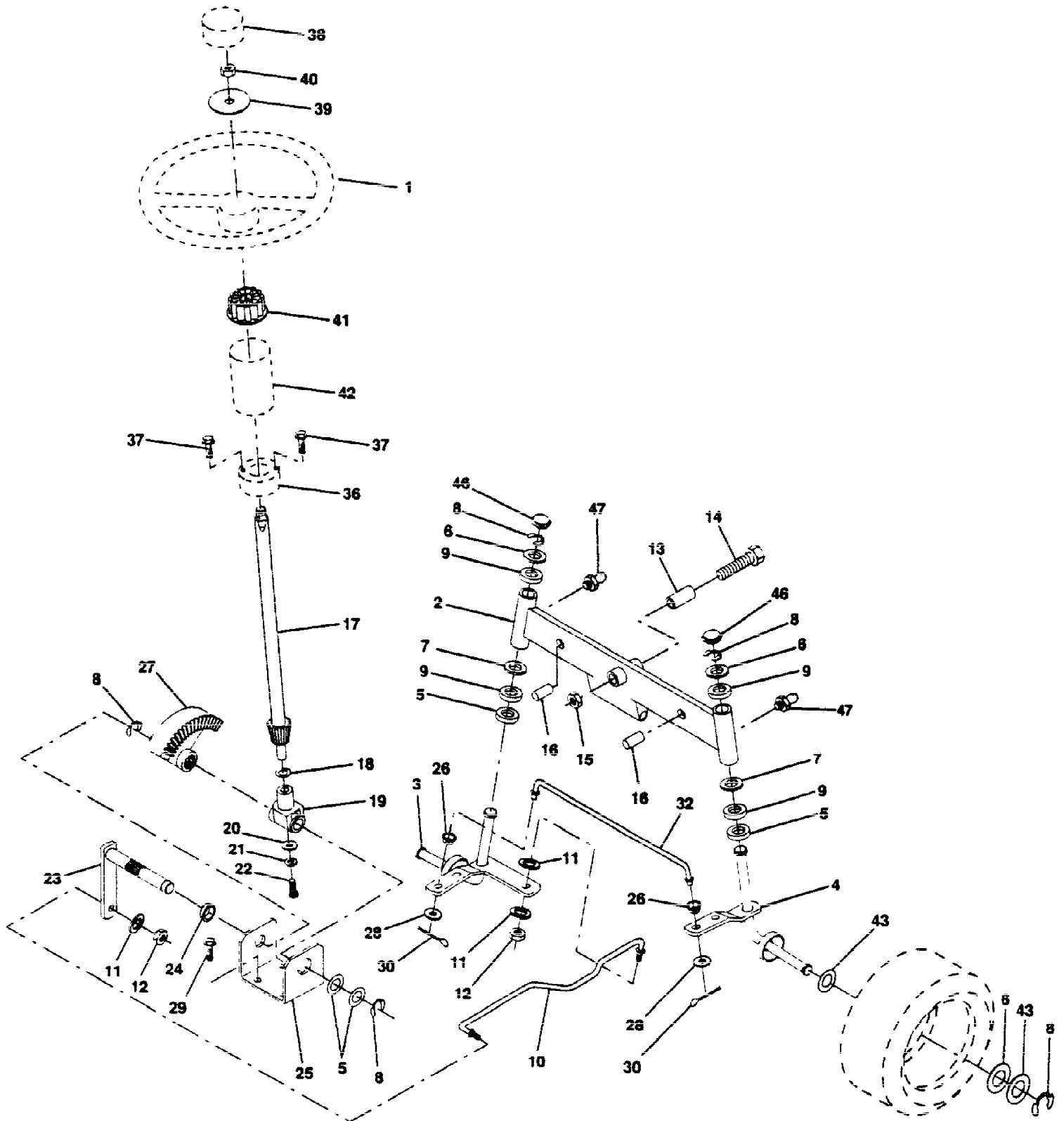


| Ref # | Part Number | Qty | Description |
|-------|-------------|-----|-------------------|
| 1 | 136973 | | WIRE ASM |
| 2 | 122507X | | SUB= 145117 |
| 3 | 105767X | | PIN-GROOVE LT |
| 4 | 12000002 | | SUB= 2225J |
| 5 | 19211621 | | WASHER |
| 6 | 120183X | | NYLON BEARING |
| 7 | 109413X | | GRIP |
| 8 | 124526X | | SUB= 125925X |
| 10 | 122512X | | SUB= 532122512 |
| 11 | 139865 | | SUB= 918139865 |
| 12 | 139866 | | SUB= 151140 |
| 13 | 4939M | | SUB= 85902 |
| 15 | 127218 | | LINK.FRONT |
| 16 | 73350800 | | NUT |
| 17 | 130171 | | TRUNION |
| 18 | 73800800 | | NUT.LK.W/WSH.1/2. |
| 19 | 139868 | | ARM SUSP REAR |
| 20 | 3146R | | RETAINER.SPRING |
| 31 | 140302 | | BEARING PVT LH |
| 32 | 73540600 | | NUT.CROWNLOCK.3/8 |

| Ref # | Part Number | Qty | Description |
|-------|-------------|-----|-------------------|
| 1 | 127427 | | SUB= 140119 |
| 2 | 140551 | | BRACKET PVT SEAT |
| 3 | 74760616 | | BOLT |
| 4 | 19131610 | | WASHER PM |
| 5 | 145006 | | CLIP.PUSH-IN.HING |
| 6 | 73800600 | | NUT |
| 7 | 124181X | | SPRING COMPRESSIO |
| 8 | 17490616 | | SCREW GTV |
| 9 | 19131614 | | WASHER |
| 10 | 140552 | | SUB= 155925 |
| 12 | 121246X | | BRKT SWITCH |
| 13 | 121248X | | BUSHING |
| 14 | 72050411 | | SUB= 872050411 |
| 15 | 134300 | | SPLIT SPACER |
| 16 | 121250X | | SPRING |
| 17 | 123976X | | SUB= 73900400 |
| 21 | 139888 | | BOLT.SHLD.5/16-18 |
| 22 | 73800500 | | NUT |
| 23 | 74780814 | | BOLT |
| 24 | 19171912 | | WASHER |
| 25 | 127018X | | "BOLT,SHOULDER" |
| 26 | 10040800 | | LOCKWASHER |

TRACTOR - - MODEL NUMBER Y12542D

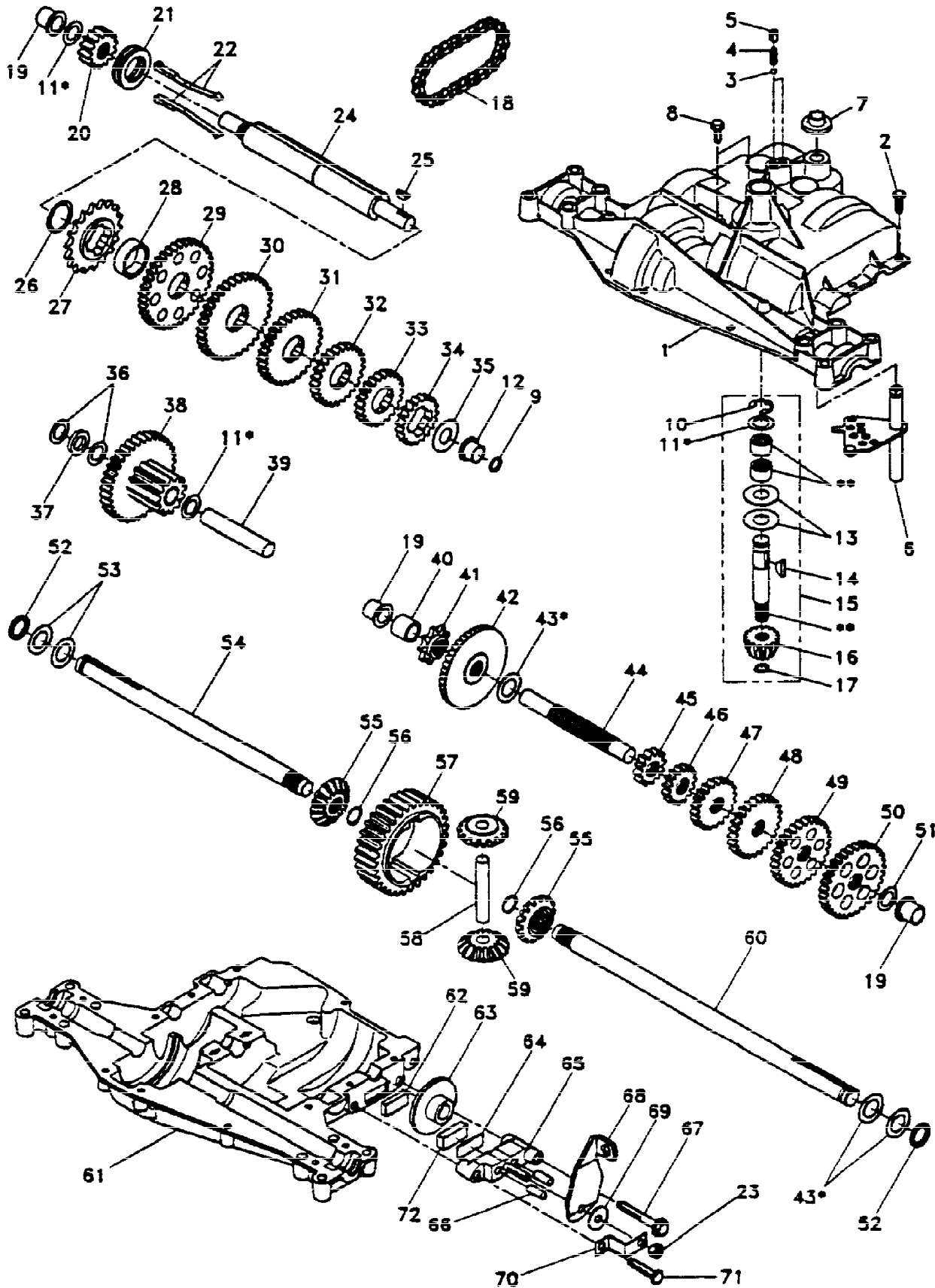
STEERING WHEEL



| Ref # | Part Number | Qty | Description |
|-------|-------------|-----|---------------------|
| 1 | 133741 | | SUB= 150547 |
| 2 | 142033 | | AXLE ASM FRONT |
| 3 | 135227 | | SPINDLE LH |
| 4 | 135228 | | SPINDLE RH |
| 5 | 6266H | | WASHER .T |
| 6 | 121748X | | WASHER |
| 7 | 19272016 | | WASHER |
| 8 | 12000029 | | RING |
| 9 | 3366R | | COL. SRTG. BEAR. |
| 10 | 130468 | | SUB= 532130468 |
| 11 | 10040600 | | LOCKWASHER |
| 12 | 73610600 | | SUB= 7810H |
| 13 | 110438X | | BEARING |
| 14 | 74011056 | | BOLT HEX 5/8-11 |
| 15 | 73901000 | | "NUT-LOC,FLANGE LT" |
| 16 | 132624 | | AXLE PIN |
| 17 | 132614 | | SHAFT ASM |
| 18 | 57079 | | THRUST WASHER |
| 19 | 124035X | | SUPPORT.SHAFT |
| 20 | 126684X | | SUB= 532126684 |
| 21 | 10040400 | | LOCKWASHER |
| 22 | 71070410 | | "SCREW,SPECIAL" |
| 23 | 127501 | | SUB= 918127501 |
| 24 | 109816X | | NYLINER T |
| 25 | 124036X | | "BRKT,STEERING" |
| 26 | 126847X | | BUSHING.DRAGLINK |
| 27 | 136874 | | GEAR SECTOR |
| 28 | 19131416 | | WASHER |
| 29 | 17490612 | | SCREW |
| 30 | 76020412 | | COTTER PIN |
| 32 | 130465 | | TIE ROD |
| 36 | 132196 | | SUB= 155106 |
| 37 | 17431008 | | SUB= 98000165 |
| 38 | 133742 | | ST WHL INSERT CAP |
| 39 | 19133808 | | WASHER T |
| 40 | 7810H | | GRIPCO NUT |
| 41 | 104820X | | ADAPTER-WHEEL LT |
| 42 | 124418X | | "TUBE, STR SHAFT" |
| 43 | 121749X | | WASHER |
| 46 | 121232X | | CAP |
| 47 | 6855M | | ZERK M |

TRACTOR -- MODEL NUMBER Y12542D

TRANSAXLE - DANA MODEL NUMBER 4360-79

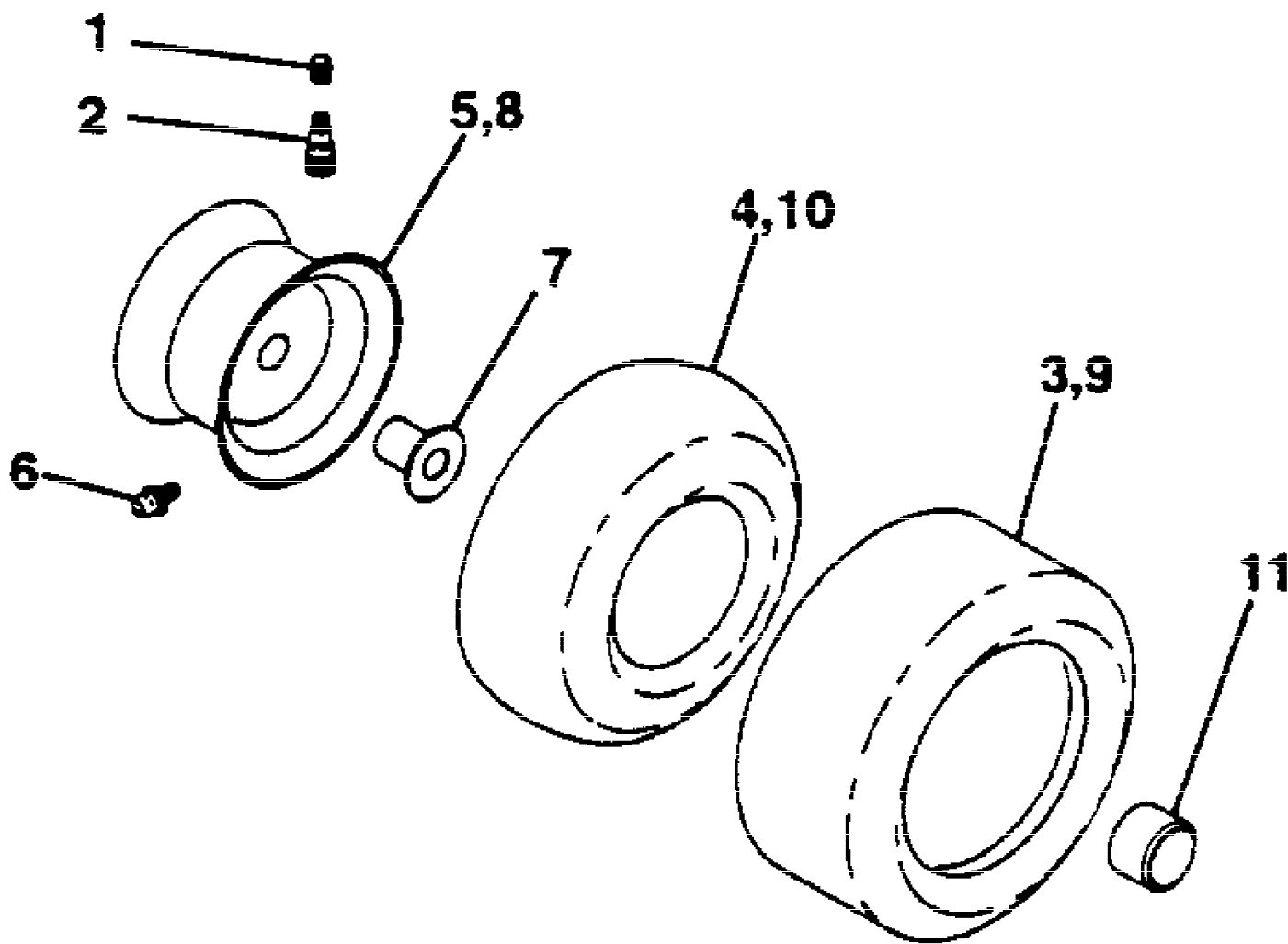


| Ref # | Part Number | Qty | Description |
|-------|-------------|-----|---------------------|
| 1 | 142671 | | HOUSING UPPER TRN |
| 2 | 2274J | | SUB= 74760412 |
| 3 | 134400 | | SUB= 68003 |
| 4 | 105904X | | "SPRING, DETENT LT" |
| 5 | 105905X | | "SCREW, SET LT" |
| 6 | 138235 | | KIT SHIFTER ASM |
| 7 | 134399 | | SHIFTER BOOT |
| 8 | 134791 | | SCREW TAP W/SEAL |
| 9 | 138241 | | SQUARE RING |
| 10 | 142672 | | SUB= 2225J |
| 11 | 134793 | | ASM KIT SHIM 4689 |
| 12 | 142673 | | BEARING FLAN-DANA |
| 13 | 120415X | | WASHER T |
| 14 | 142674 | | KEY WOODRUFF-DANA |
| 15 | 138234 | | AS KIT INPUT SHFT |
| 16 | 110078X | | PINION 14T T |
| 17 | 105909X | | "RING,RETAINING LT" |
| 18 | 105910X | | "CHAIN,24 PTCH LT" |
| 19 | 105911X | | BEARING.FLNG.5510 |
| 20 | 142675 | | GEAR SPUR 14 TTH |
| 21 | 138246 | | COLLAR CLUTCH |
| 22 | 138236 | | ASM KIT CLTCH KEY |
| 23 | 73810500 | | NUT.LOCK.5/16-24 |
| 24 | 142676 | | SHAFT INTERM DANA |
| 25 | 2244J | | WOODRUFF KEY |
| 26 | 105916X | | "RING,RETAINING LT" |
| 27 | 120470X | | SPROCKET 18T T |
| 28 | 110070X | | SPACER YT |
| 29 | 142677 | | GEAR SPUR 37 TTH |
| 30 | 142681 | | GEAR SPUR 35 TTH |
| 31 | 120405X | | SUB= 124644X |
| 32 | 108980X | | GEAR 25T LT |
| 33 | 120406X | | GEAR SPUR 22 TT |
| 34 | 134796 | | SPUR GEAR 19T |
| 35 | 105925X | | "WASHER, PLAIN LT" |
| 36 | 2232J | | WASHER 025 |
| 37 | 108978X | | SPACER |
| 38 | 110079X | | ASSM GEAR COMB |
| 39 | 124639X | | SHAFT IDLER |
| 40 | 120472X | | SPACER T |
| 41 | 105928X | | SPROCKET 9T LT |
| 42 | 110084X | | SUB= 167148 |
| 43 | 134394 | | ASM KIT SHIM |
| 44 | 120473X | | SHAFT T |
| 45 | 142678 | | GEAR SPUR 12 TTH |
| 46 | 142679 | | GEAR SPUR 15 TTH |
| 47 | 120407X | | SUB= 124641X |
| 48 | 106589X | | "GEAR, SPUR 25T LT" |
| 49 | 120408X | | GEAR 28T T |
| 50 | 105937X | | "GEAR, SPUR 31T LT" |
| 51 | 2226J | | WASHER 060 |
| 52 | 134401 | | NEOPRENE WASHER |
| 53 | 2264J | | WASHER 031 |

| Ref # | Part Number | Qty | Description |
|-------|-------------|-----|---------------------|
| 54 | 120474X | | SUB= 154658 |
| 55 | 110081X | | GEAR 15T T |
| 56 | 105941X | | "RING,RETAINING LT" |
| 57 | 110071X | | SUB= 120478X |
| 58 | 120952X | | SHAFT T |
| 59 | 110082X | | GEAR 1ST T |
| 60 | 120475X | | SUB= 154659 |
| 61 | 142680 | | HOUSING LOWER TNS |
| 62 | 120961X | | PUCK T |
| 63 | 7294J | | BRAKE DISC. T |
| 64 | 108989X | | SPACER LT |
| 65 | 120953X | | SUB= 918120953X |
| 66 | 120954X | | PIN T |
| 67 | 134799 | | TAP SCREW |
| 68 | 138244 | | SUB= 108992X |
| 69 | 108996X | | WASHER LT |
| 70 | 120956X | | NLA |
| 71 | 106596X | | "SCREW, TAPPING LT" |
| 72 | 120951X | | PUCK T |
| 73 | 120416X | | SUB= 126976X |

TRACTOR - - MODEL NUMBER Y12542D

TIRES AND WHEELS



NOTE: All component dimensions given in U.S. inches
1 inch = 25.4 mm

| Ref # | Part Number | Qty | Description |
|-------|-------------|-----|-------------------|
| 1 | 59192 | | VALVE CAP |
| 2 | 65139 | | VALVE STEM LT |
| 3 | 106222X | | SUB= 122073X |
| 4 | 59904 | | TUBE.5.3/4.5/6 |
| 5 | 106732X417 | | "RIM,FRT T" |
| 6 | 278H | | FITTING LT |
| 7 | 9040H | | "FLANGE, BEARING" |
| 8 | 106108X417 | | "RIM 8"" |
| 9 | 124635X | | SUB= 126957X |
| 10 | 7152J | | TUBE.18X9.5-8 |
| 11 | 104757X | | HUB CAP |