

### LIMITED WARRANTY

The Manufacturer warrants to the original consumer purchaser that this product as manufactured is free from defects in materials and workmanship. For a period of two (2) years from date of purchase by the original consumer purchaser, we will repair or replace, at our option, without charge for parts or labor incurred in replacing parts, any part which we find to be defective due to materials or workmanship. This Warranty is subject to the following limitations and exclusions.

1. This warranty does not apply to the engine, transaxle/transmission components, battery (except as noted below) or components parts thereof. Please refer to the applicable manufacturer's warranty on these items.
2. Transportation charges for the movement of any power equipment unit or attachment are the responsibility of the purchaser. Transportation charges for any parts submitted for replacement under this warranty must be paid by the purchaser unless such return is requested by the manufacturer.
3. Battery Warranty: On products equipped with a Battery, we will replace, without charge to you, any battery which we find to be defective in manufacture, during the first ninety (90) days of ownership. After ninety (90) days, we will exchange the Battery, charging you 1/12 of the price of a new Battery for each full month from the date of the original sale. Battery must be maintained in accordance with the instructions furnished.
4. The Warranty period for any products used for rental or commercial purposes is limited to 45 days from the date of original purchase.
5. This Warranty applies only to products which have been properly assembled, adjusted, operated, and maintained in accordance with the instructions furnished. This Warranty does not apply to any product which has been subjected to alteration, misuse, abuse, improper assembly or installation, delivery damage, or to normal wear of the product.
6. Exclusions: Excluded from this Warranty are belts, blades, blade adapters, normal wear, normal adjustments, standard hardware and normal maintenance.
7. In the event you have a claim under this Warranty, you must return the product to an authorized service dealer.

Should you have any unanswered questions concerning this Warranty, contact:

HOP  
Customer Service Department  
1030 Stevens Creek Road  
Augusta, GA 30907 USA

In Canada contact:  
HOP  
Customer Service Department  
5855 Terry Fox Way  
Mississauga, Ontario L5V 3E4

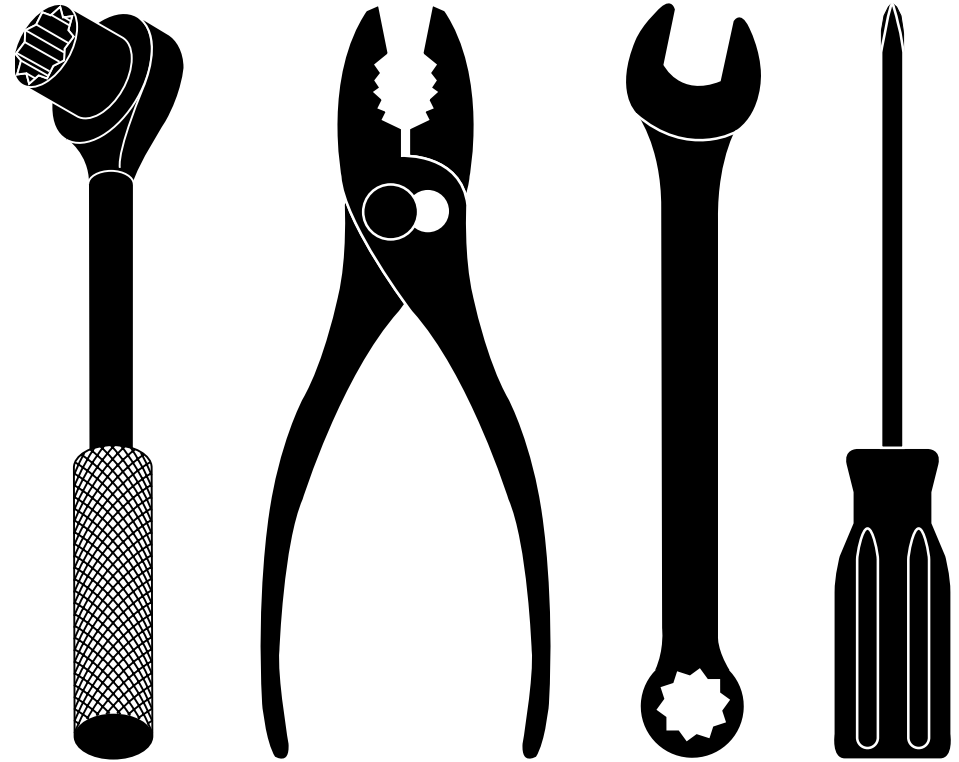
giving the model number, serial number and date of purchase of your product and the name and address of the authorized dealer from whom it was purchased.

**THIS WARRANTY DOES NOT APPLY TO INCIDENTAL OR CONSEQUENTIAL DAMAGES AND ANY IMPLIED WARRANTIES ARE LIMITED TO THE SAME TIME PERIODS STATED HEREIN FOR OUR EXPRESSED WARRANTIES.**

Some areas do not allow the limitation of consequential damages or limitations of how long an implied Warranty may last, so the above limitations or exclusions may not apply to you. This Warranty gives you specific legal rights, and you may have other rights which vary from locale to locale.

This is a limited Warranty within the meaning of that term as defined in the Magnuson-Moss Act of 1975.

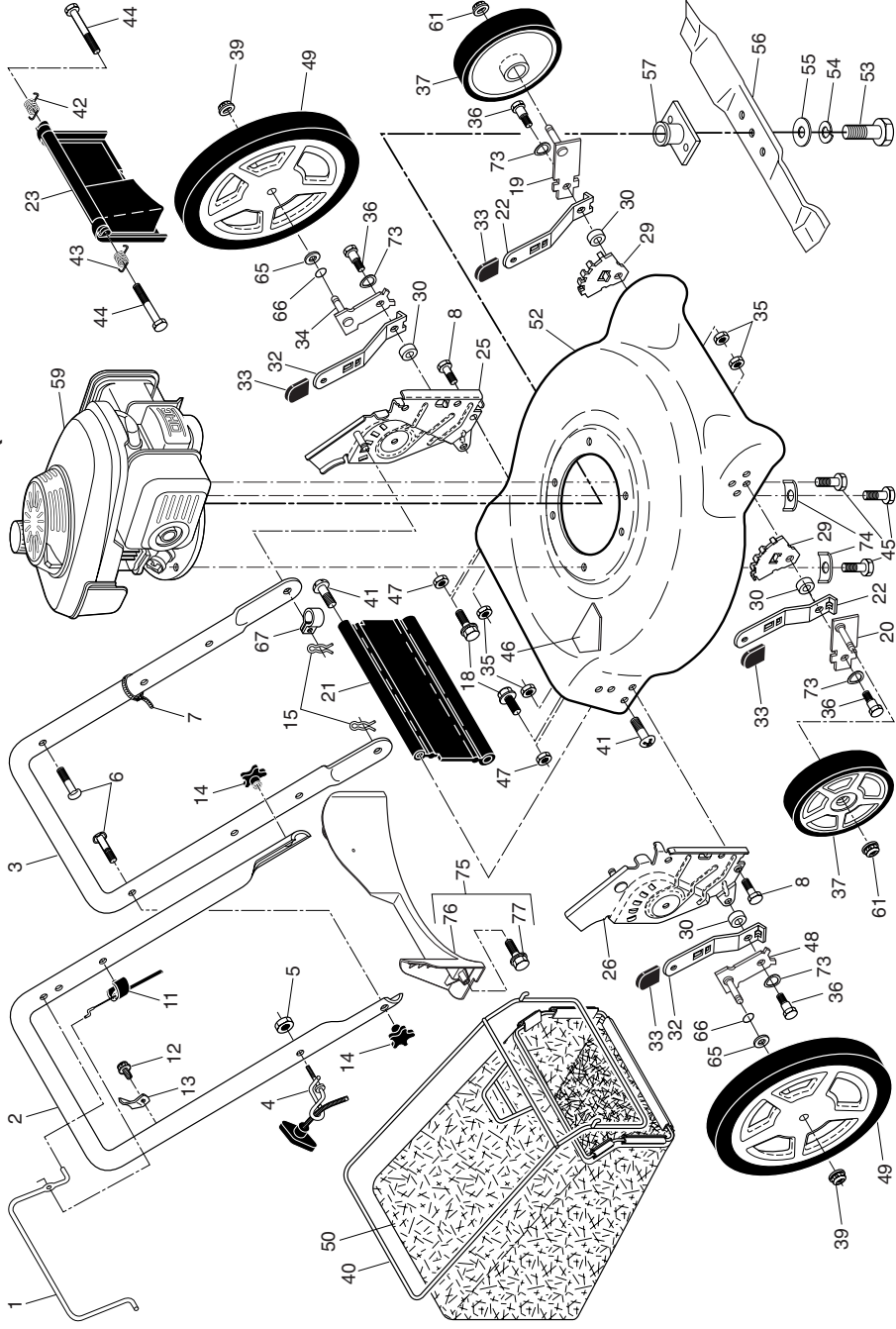
**yardpro**



# REPAIR PARTS MANUAL MODEL NO. Y160N21RH MFG. ID. NO. 96138001300 Rotary Lawn Mower

**yardpro**

# ROTARY LAWN MOWER -- MODEL NUMBER Y160N21RH (MFG. ID. NUMBER 96138001300)



# ROTARY LAWN MOWER -- MODEL NUMBER Y160N21RH (MFG. ID. NUMBER 96138001300)

KEY NO.	PART NO.	DESCRIPTION	KEY NO.	PART NO.	DESCRIPTION	KEY NO.	PART NO.	DESCRIPTION
1	194177X428	Control Bar	30	401629	Spacer	53	851084	Screw, Hex Head, Grade 8 3/8-24 x 1-3/8
2	194179X479	Upper Handle	32	401624X004	Selector Spring, Rear	54	850263	Helical Lockwasher
3	169708X479	Lower Handle	33	701037	Selector Knob	55	851074	Hardened Washer
4	194788	Rope Guide	34	401176X004	Axle Arm Assembly, Rear, LH	56	406712	2 1/2" Blade
5	132004	Nut, Hex	35	426589	Locknut, Hex 5/16-18	57	420097	Blade Adapter
6	191574	Handle Bolt	36	401638	Shoulder Bolt 5/16-18	59	- - -	Engine, Honda, Model Number GCV160-LAS3A (For engine service and replacement parts, call Honda Engines at 1-800-426-7701)
7	66426	Wire Tie	37	193909X427	Wheel & Tire Assembly, Front 7 x 1-3/4	61	409148	Flanged Locknut
8	74780512	Bolt, Hex Head 5/16-18 x 3/4	39	409149	Nut, Hex	65	88348	Washer, Flat
11	176556	Engine Zone Control Cable	40	411949	Frame, Grassbag	66	197480	O-Ring
12	750634	Hex Washer Head Screw #10-24 x 1/2	41	88652	Screw, Hinge	67	197991	Clip, Cable
13	429930X004	Up-Stop Bracket	42	405421	Spring, LH	73	401630	Washer, Curved, Cylindrical
14	182398	Handle Knob	43	405423	Spring, RH	74	851201X004	Washer, Special, Engine
15	51793	Hairpin Cotter	44	184193	Bolt, Rear Door	75	413693	Kit, Rear Baffle (Includes 3 Screws)
18	17600406	Screw	45	150406	Hex Head Thread Rolling	76	410589	Baffle, Rear
19	401174X004	Axle Arm Assembly, Front, LH	46	404763	Screw 3/8-16 x 1	77	17411312	Screw, Rear Baffle
20	401175X004	Axle Arm Assembly, Front, RH	47	73930500	Nut, Hex	- -	404764	Warning Decal (not shown)
21	418655	Kit, Rear Skirt	48	401177X004	Axle Arm Assembly, Rear, RH	- -	193792	Operator's Manual, English
22	401621X004	Selector Spring, Front	49	193906X427	Wheel & Tire Assembly, Grassbag	- -	193734	Operator's Manual, French
23	401814X428	Rear Door Assembly	50	402017	Rear 12 x 1-3/4	- -	433972	Repair Parts Manual
25	410385X479	Handle Bracket, LH	52	431187	Kit, Housing (Includes #46)			
26	410386X479	Handle Bracket, RH						
29	407494X005	Wheel Adjusting Bracket, Front						

**IMPORTANT:** Use only Original Equipment Manufacturer (O.E.M.) replacement parts. Failure to do so could be hazardous, damage your lawn mower and void your warranty.

**NOTE:** All component dimensions given in U.S. inches. 1 inch = 25.4 mm.