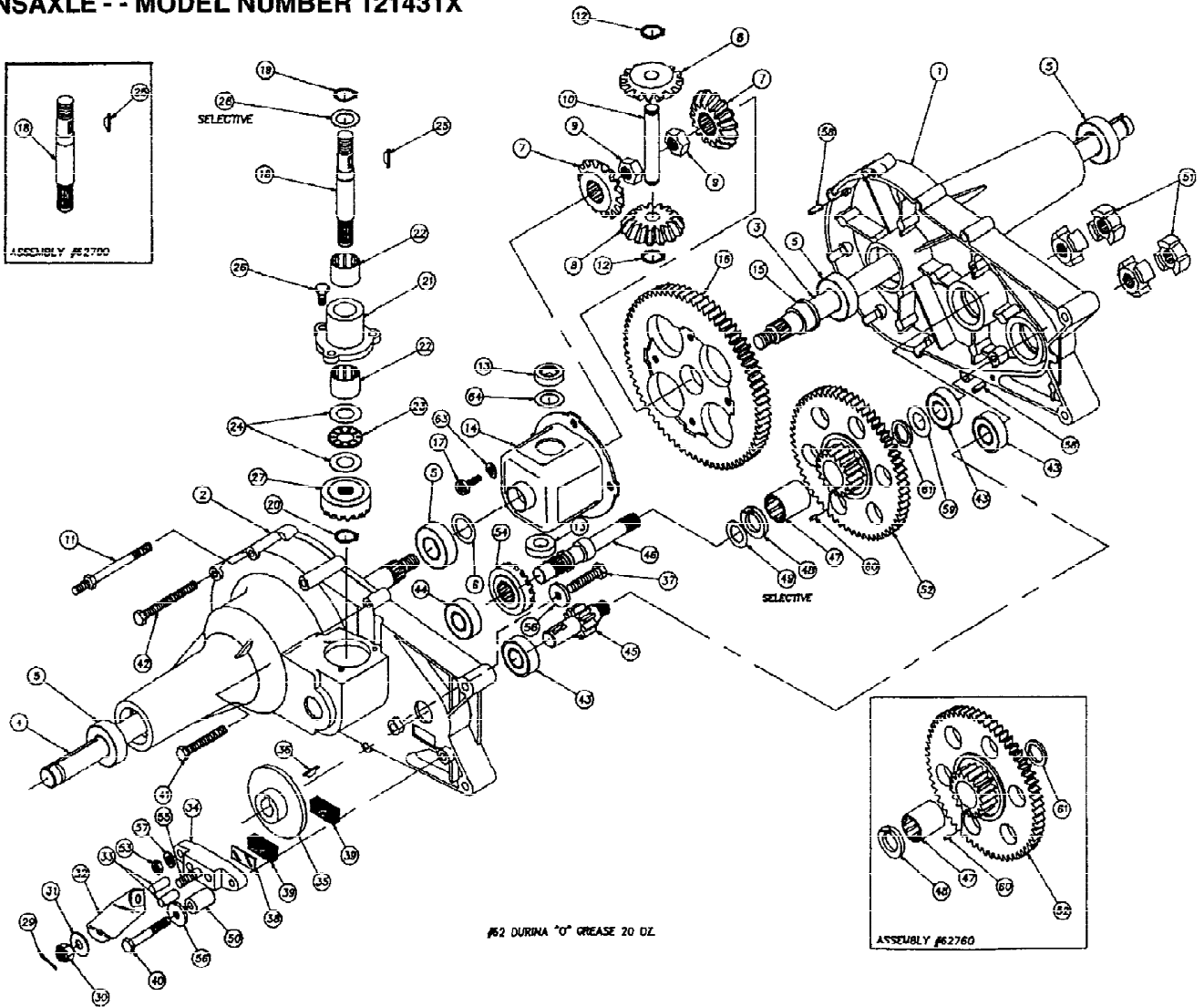


18 HP 44" TRACTOR - MODEL NUMBER Y18H44A

AGRI-FAB TRANSAXLE - - MODEL NUMBER 121431X

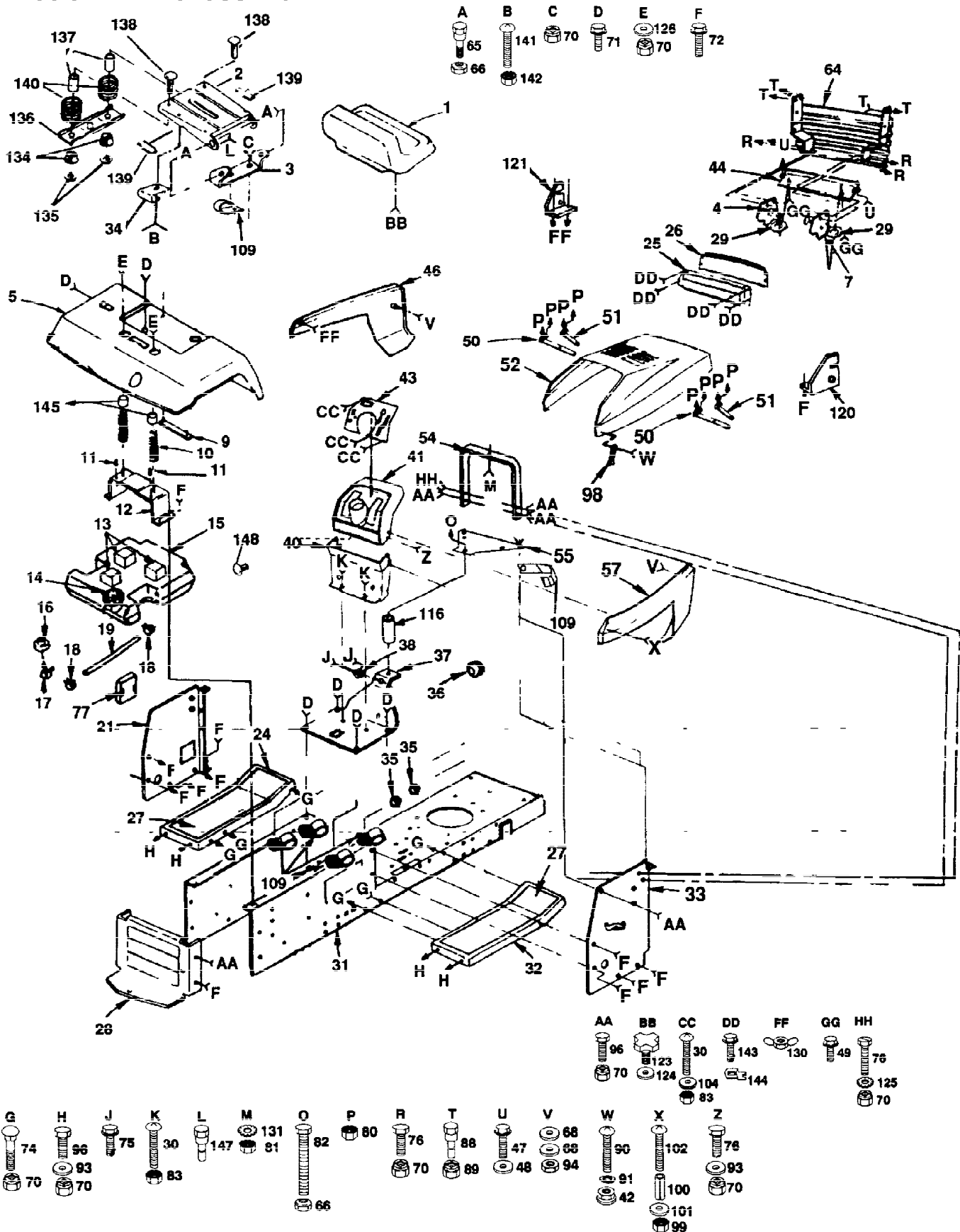


Ref #	Part Number	Qty	Description
1	122614X		HSG HALF LH-44077
2	122615X		HSG HALF RH-44076
3	122616X		AXLE LH -44273
4	122620X		AXLE RH-44272
5	122621X		BEARING.44121.AGR
6	122622X		WASHER -44008
7	122623X		GEAR MITER -44096
8	122624X		GEAR MITER -44097
9	122625X		NUT -44133
10	122626X		SHAFT CROSS
11	122688X		SCREW-STUD -44271
12	122629X		SNAP RING -44146
13	122631X		"THRUST, BEARING -44128"
14	122633X		HOUSING.ASM.DIFF.-62590
15	122634X		"FLANGE, BEARING-44129"
16	122640X		GEAR
17	122641X		BOLT -44126
18	122642X		SHAFT INPUT-44270
19	122643X		SNAP RING -44145
20	122644X		RET RING (44144)
21	122645X		SUB= 155892
22	122646X		"NEEDLE, BEARING 44099"
23	122647X		BEARING.NEE.44139
24	122648X		WASHER-44109
25	122649X		KEY.44136.HYDRO
26	122650X		SCREW
27	122651X		SUB= 155892
28	123061X		WASHER -44371
	122678X		NLA
	122654X		WASHER-44151
29	122656X		PIN COTTER -44101
30	122658X		NUT -44142
31	122659X		WASHER FLAT -44130
32	122660X		ARM BRAKE 23710
33	122662X		PIN BRAKE ACTUATO -44127
34	122663X		BRAKE YOKE
35	122664X		DISC BRAKE -(44090)
36	123065X		KEY -44143
37	122666X		SCREW -44277
38	122667X		PLATE PUCK -44134
39	122668X		SUB= 142883
40	123066X		SCREW -44300
41	122670X		SCREW -44123
42	122671X		SCREW -44124
43	126982X		SUB= 122672X
44	122673X		"BALL, BEARING -44232"
45	122674X		SHAFT PINION 44083
46	122675X		SHAFT DRIVE-44080
47	123059X		NEEDLE BEARING -44342
48	123060X		THRUST.BRONZE -44343
49	122654X		WASHER-44151
	123061X		WASHER -44371
50	122689X		SPACER -23711

Ref #	Part Number	Qty	Description
51	121839X		COUPLING- 44084
52	126975X		GEAR.60/17.44523
53	122682X		NUT -43178
54	122683X		PINION-DR.44079
55	122684X		BOLT SQ HD
56	122685X		WASHER -44278
57	122686X		WASHER -44137
58	122687X		PIN ROLL-44269
59	122652X		WASHER -44125
60	123062X		DOWEL PIN -44346
61	123063X		SEAL GREASE -44394
62	126976X		GREASE.50416.10OZ
63	126977X		WASHER.43177.AGRI
64	126978X		NLA
	126979X		WASHER, FLAT
65	126980X		ASS'Y GEAR REDUCT
66	126981X		SUB= 122642X
	121431X		TRANSAXLE.AGRIFAB

18 HP 44" TRACTOR - - MODEL NUMBER Y18H44A

CHASSIS AND ENCLOSURES

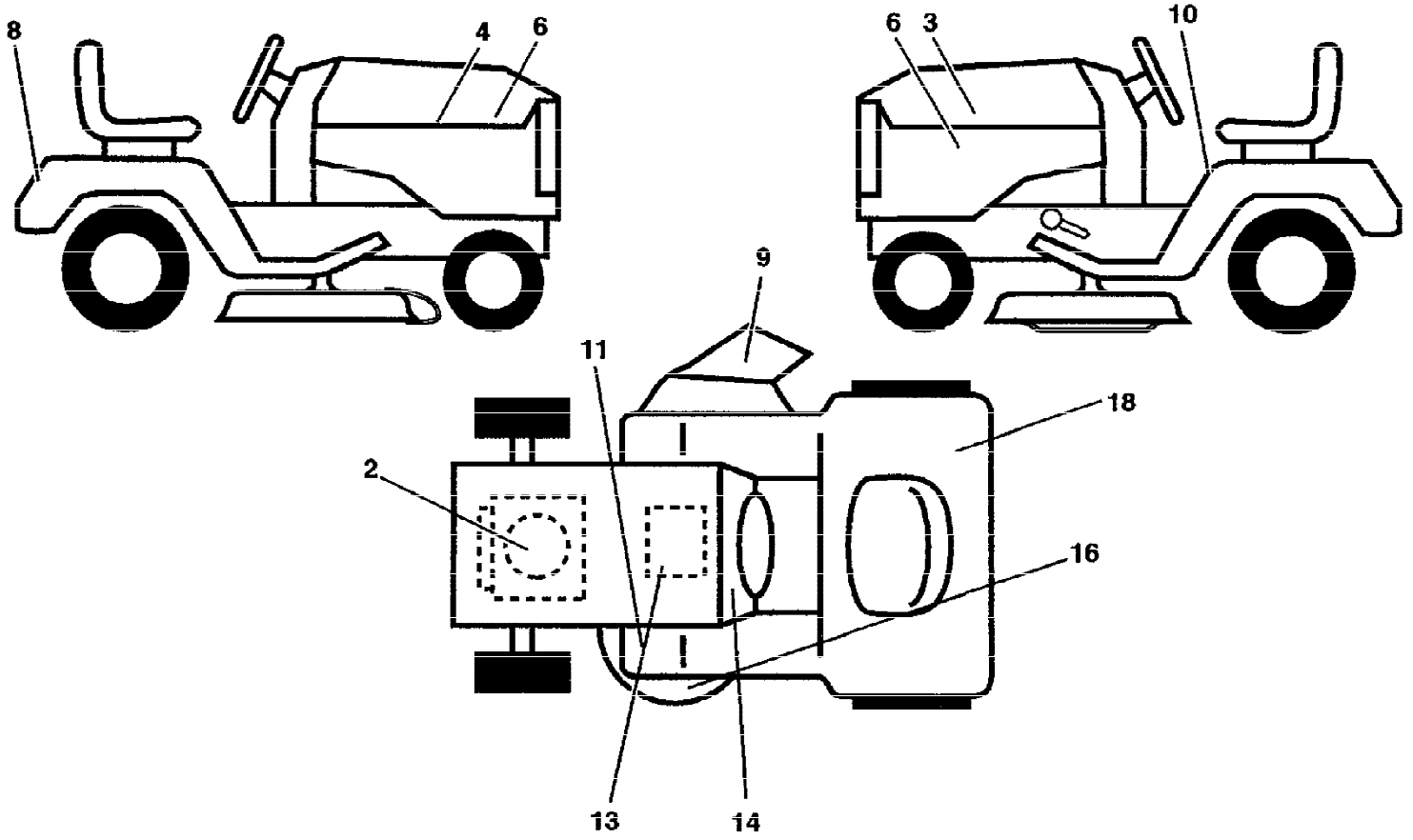


Ref #	Part Number	Qty	Description
1	127429X		SUB= 140121
2	131451		SUB= 155925
3	126656X		SUB= 140551
4	110855X		SUPPORT LH YTH
5	121642X505		FENDER
7	110854X		SUPPORT RH YTH
9	105511X		SUB= 140675
10	124181X		SPRING COMPRESSIO
11	105531X		NUT-PUSH YT
12	105509X		SUB= 137113
13	106082X		PAD-SPACER LT
14	123549X		SUB= 158990
15	106020X		SUB= 151346
16	3645J		BUSHING OUTLET T
17	8710J		FUEL TANK STEM GT
18	123487X		HOSE CLAMP
19	5277J		SUB= 8543R
21	124118X		PANEL DASH LH
24	105465X505		SUB= 145244X505
25	124392X417		SUB= 147717
26	106395X		LENS LT
27	133671		FOOTREST PAD
28	127866		DRAWBAR LT/YT
29	19111212		WASHER
30	74180512		SCREW
31	127213X		CHASSIS
32	105464X505		SUB= 145243X505
33	133748		DASH PANEL RH
34	4171R		CLIP T
35	110436X		SUB= 9151R
36	9151R		SNAP BUSHING T
37	121195X014		SADDLE
38	1554J		SUB= 155108
40	104805X		LOWER DASH
41	124252X		SUB= 140398
42	2029J		WELDNUT
43	121723X014		PLATE DASH
44	105419X505		GRILL STRAP
46	132638X505		SUB= 150302X505
47	17190412		SCREW
48	19091016		WASHER
49	17490512		SCREW
50	106784X		SUB= 155013
51	104618X		SUB= 155013
52	132635X505		SUB= 150301X505
54	124130X		SUPPORT ASS'Y
55	106965X		SUB= 140181
57	132639X505		"PANEL,SIDE RH "
64	122100X		GRILL ASSY
65	105529X		SUB= 139888
66	73680500		SUB= 73690500
68	19091216		WASHER PM
70	73680600		SUB= 73690600

Ref #	Part Number	Qty	Description
71	17490608		SCREW LT
72	17490612		SCREW
74	72110606		BOLT
75	17431008		SUB= 98000165
76	74760616		BOLT
77	121794X		COVER ACCESS
80	73510400		NUT
81	73220400		SUB= 50675
82	74760532		BOLT
83	73510500		NUT
88	123481X		SUB= 7605J
89	73680400		SUB= 73690400
90	74191008		SCREW
91	10071000		LOCKWASHER
93	19131312		WASHER
94	73220400		SUB= 50675
96	74760612		SUB= 74780612
98	109808X		HOOD LATCH T
99	73731000		NUT
100	7206J		SPACER LT
101	19070818		WASHER
102	74981020		SCREW
104	19111116		WASHER
109	2751R		CLIP T
116	121236X		SPACER
120	110853X		SUPPORT RH YTH
121	110852X		SUPPORT LH YTH
123	120068X		"KNOB 1/2" YT"
124	19171912		WASHER
125	11050600		LOCKWASHER
126	19131614		WASHER
130	123198X		SUB= 146525
131	11050400		LOCKWASHER
134	121248X		BUSHING
135	123976X		SUB= 73900400
136	121246X		BRKT SWITCH
137	121249X		SPACER SPLIT
138	72050411		SUB= 872050411
139	121251X		STRIP FORM
140	123740X		SPRING COMPRESSED
141	74641008		SUB= 71031008
142	73951000		"NUT,KEPS"
143	17211010		SCREW LT
144	104755X		""J"" FASTENER LT"
145	124238X		CAP SPRING
147	127018X		"BOLT,SHOULDER"
148	5479J		PLUG BUTTON T

18 HP 44" TRACTOR - MODEL NUMBER Y18H44A

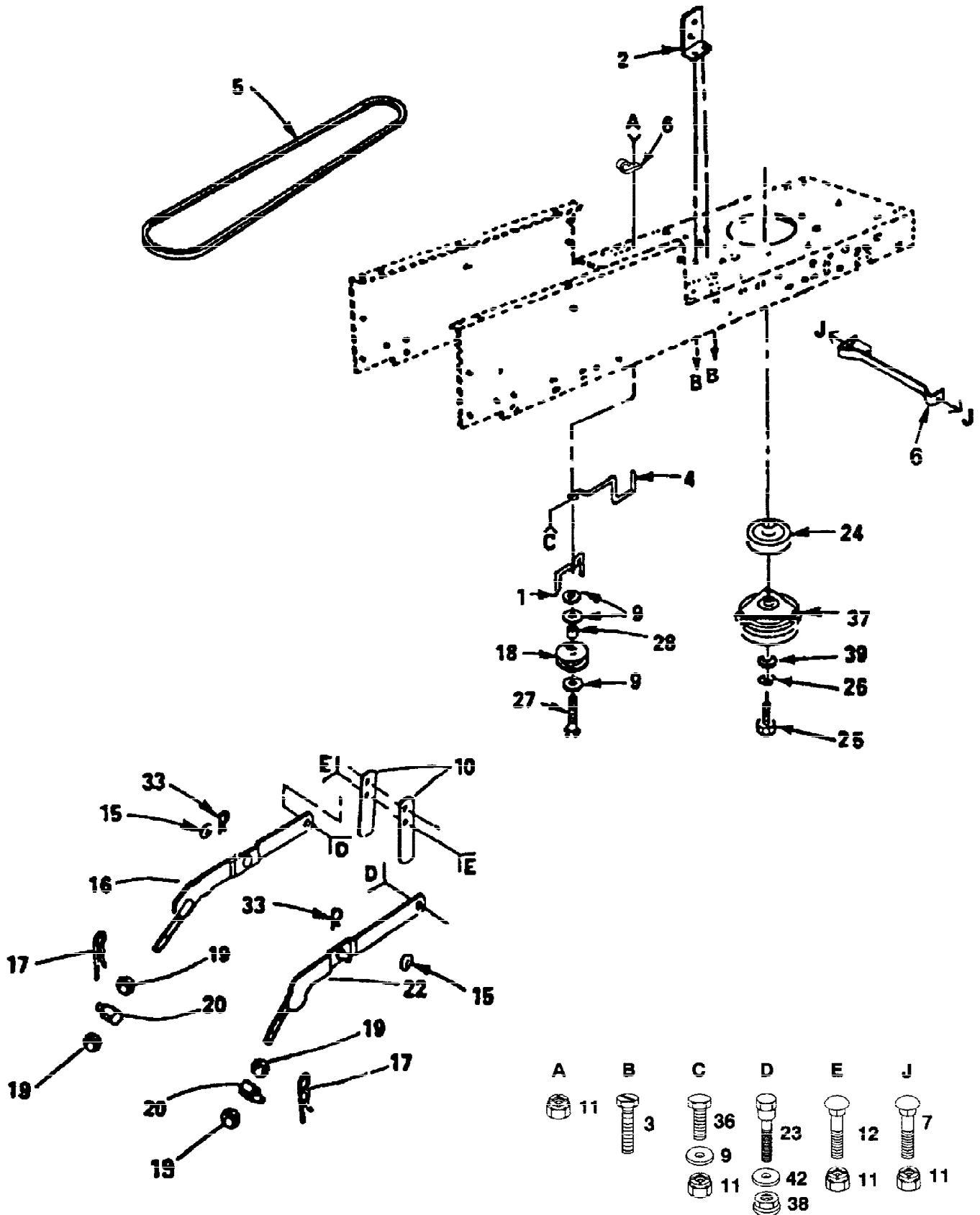
DECALS



Ref #	Part Number	Qty	Description
2	132507		"DECAL,HP ENGINE"
3	532125737		DECAL HOOD LH
4	532125738		DECAL HOOD RH
6	532125735		DECAL PANEL SIDE
8	532126157		DECAL FENDER
9	532126193		SUB= 126193X
10	532126679		DECAL
11	532126676		DECAL CLUTCH BRAKE E/F
13	532121549		SUB= 121549X
14	532126155		SUB= 138270
16	532126195		DECAL ROTATING BLADES
18	125690X		DECAL
	133926		OWNERS MANUAL
	133927		OWNERS MANUAL FRENCH

18 HP 44" YARD TRACTOR - MODEL NUMBER Y18H44A

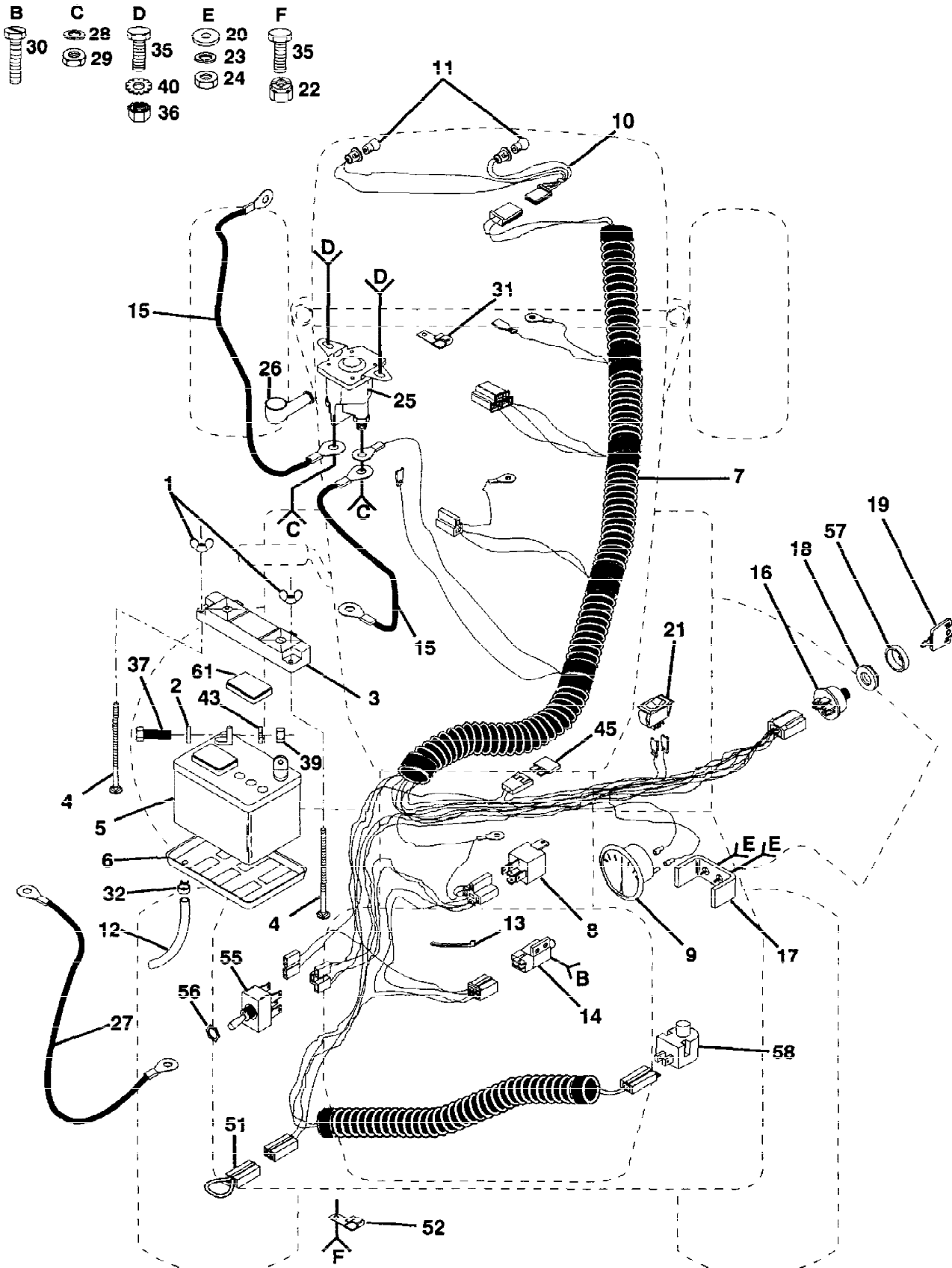
DRIVE



Ref #	Part Number	Qty	Description
1	109070X		BELT KEEPER LT
2	108236X		BRACKET LT
3	17021008		SCREW
4	129921		KEEPER.BELT.ENG.L
5	123461X		SUB= TH4H810
6	109169X		SUB= 109172X
7	72140506		BOLT
9	19131312		WASHER
10	121252X		UPSTOP
11	73680600		SUB= 73690600
12	72140608		SUB= 72110608
15	19171516		WASHER T
16	121599X		LH SUSP ARM ASM
17	9135R		SPRING H
18	123674X		PULLEY.IDLER.FLAT
19	73220800		NUT
20	106308X		SUB= 130171
22	121598X		RH SUSP ARM ASM
23	105848X		"BOLT, SHOULDER LT"
24	109841X		SUB= 136905
25	71107068		SUB= 150280
26	10040700		LOCKWASHER
27	74760644		BOLT
28	4470J		SPACER T
33	4921H		SPRING.RETAINER
36	74760616		BOLT
37	126112X		SUB= 142600
38	73980600		NUT SPECIAL T
39	126197X		WASHER
42	110739X		WASHER T

18 HP 44" TRACTOR -- MODEL NUMBER Y18H44A

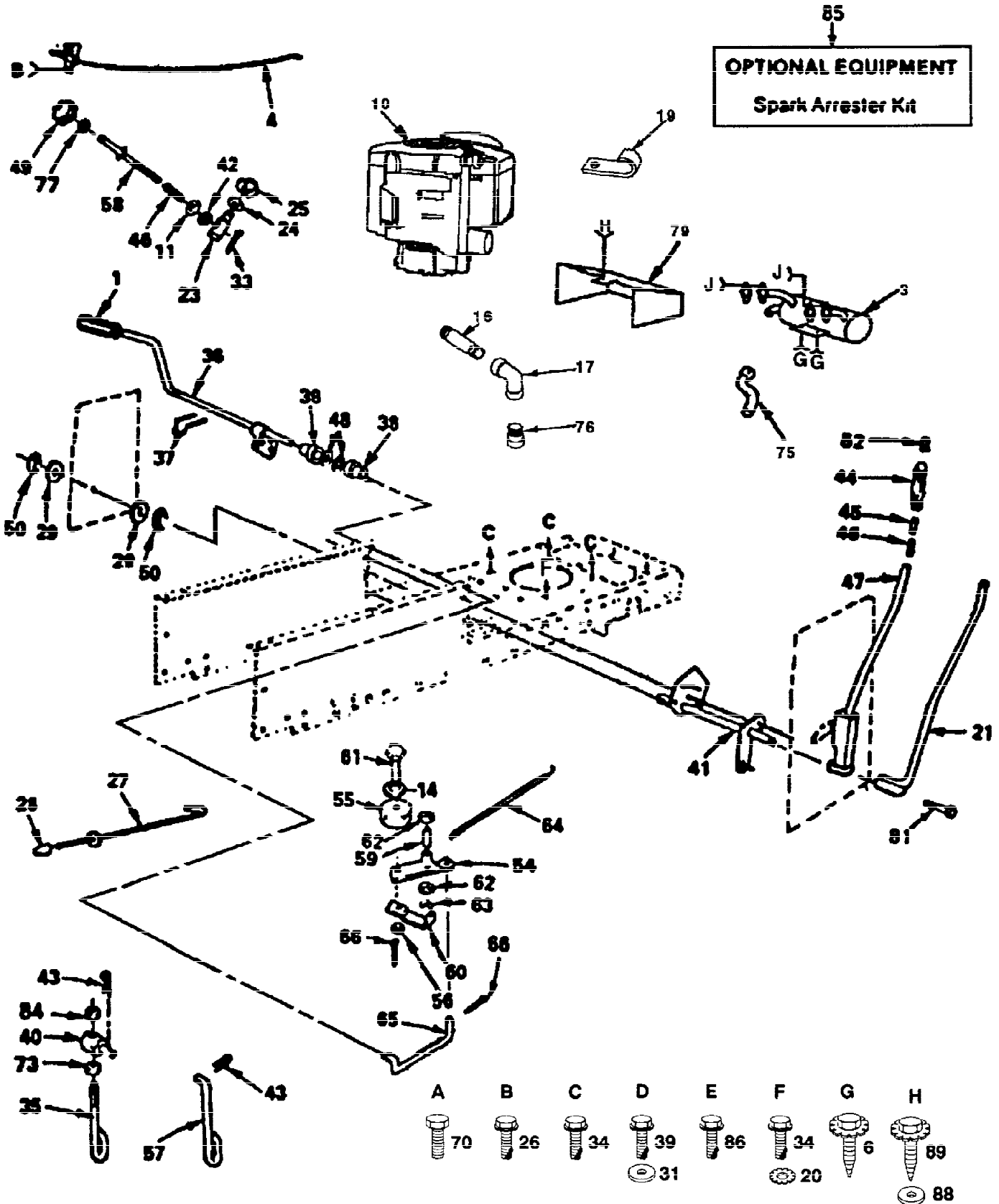
ELECTRICAL



Ref #	Part Number	Qty	Description
1	123198X		SUB= 146525
2	19091016		WASHER
3	102476X		SUB= 150109
4	72240460		BOLT
5	121537X		SUB= 123899X
6	7603J		"TRAY T, BATTERY"
7	134026		HARNESS
8	109748X		RELAY ASSY T
9	9433R		AMMETER T
10	127441X		SUB= 136850
11	7662J		SUB= 4152J
12	100541K		SUB= 7697J
13	7192J		WIRE TIE
14	109553X		SWITCH INTERLOCKT
15	4206J		CABLE-BATTERY T
16	4406R		SUB= STD365402
17	131708		SUB= 532131708
18	124211X		NUT IGNITION
19	122147X		KEY
20	19070818		WASHER
21	110712X		SWITCH LT
22	73680400		SUB= 73690400
23	10101000		SUB= 10071000
24	73911000		NUT
25	109081X		SUB= 146154
26	131563		SUB= 154336
27	4207J		CABLE T
28	10090400		SUB= 10040400
29	73350400		NUT
30	17021008		SCREW
31	2751R		CLIP T
32	109596X		HOSE CLAMP T
35	74780408		BOLT
36	73510400		NUT
37	74760412		BOLT LT
39	73220400		SUB= 50675
40	11050400		LOCKWASHER
43	10040400		LOCKWASHER
45	108824X		FUSE HYT
51	102501X		SUB= 141940
52	235R		CLIPT
55	126016X		SUB= 4021J
56	4022J		HEX NUT T
57	123620X		SUB= 141226
58	121305X		SWITCH SEAT
61	121264X		"CAP,BATTERY "

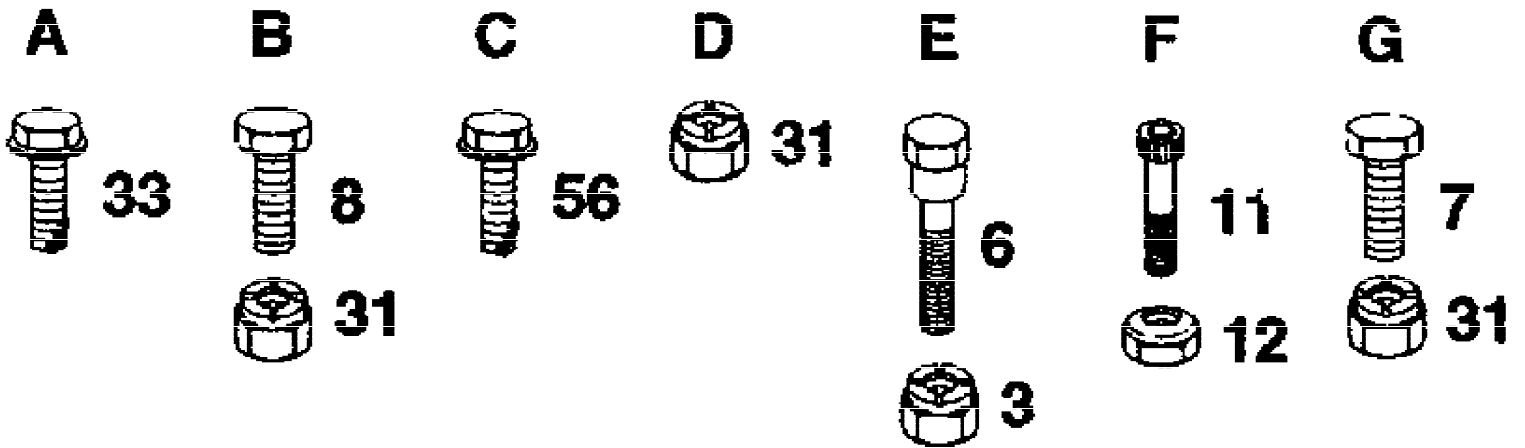
18 HP 44" TRACTOR - MODEL NUMBER Y18H44A

ENGINE



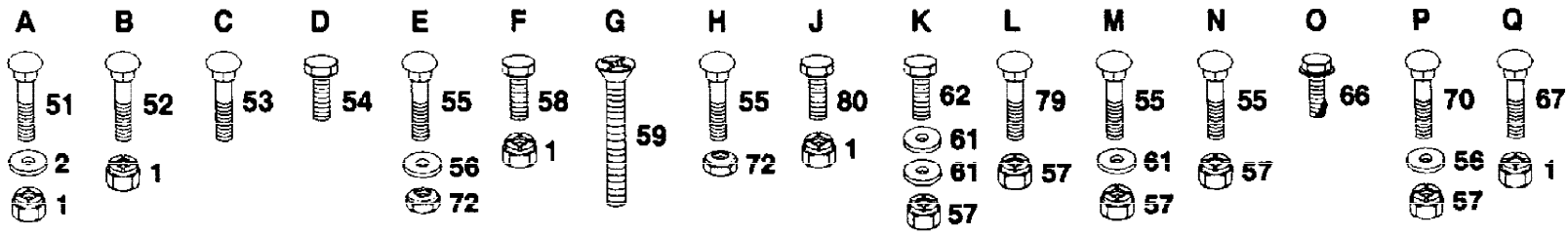
Ref #	Part Number	Qty	Description
1	8883R		PEDAL COVER T
3	125890X		MUFFLER
4	133024		"CONTROL, THROTTLE"
5	74760410		BOLT
7	10040400		LOCKWASHER
8	19091216		WASHER PM
10			REFER TO IMAGE
11	19131016		WASHER
14	19131316		WASHER
16	13280336		PIPE NIPPLE LT
17	13200300		ELBOW
19	122758X		MUFFLER CLAMP
20	11050600		LOCKWASHER
21	121006X		LEVER ROD LT
23	110810X		TRUNION LT
24	19151216		WASHER
25	12000037		KLIP RING
26	17720410		SCREW LT
27	133261		BRAKE PARK ROD
28	71673		PLUNGER CAP T
29	19292016		WASHER
33	76020308		SUB= 3145
34	17490624		SCREW LT
35	110448X		PIVOT PIN T
36	122424X		SUB= 149001
37	1572H		SUB= 2882J
38	120183X		NYLON BEARING
40	110447X		SUB= 132793
41	131925		LIFT SHAFT ASM
42	110807X		NUT T
43	4939M		SUB= 85902
44	109413X		GRIP
45	122364X		SUB= 125925X
46	2876H		SPRING T
47	121002X		SUB= 123096X
48	19211616		WASHER LT
49	100734K		SUB= 138057
50	12000022		E-RING
52	124526X		SUB= 125925X
54	123789X		ARM IDLER
55	127783		SUB= 139245
56	73680600		SUB= 73690600
57	110029X		LIFT LINK LT
58	110729X		ROD LIFT LT
59	105706X		"LY, BEARING"
60	123205X		RETAIN BELT
61	74760624		SUB= 74930624
62	110812X		WASHER LT
63	12000039		KLIP RING
64	105709X		"SPRING, RETURN LT"
65	105710X		"LINK, CLUTCH T"
66	76020412		COTTER PIN
70			REFER TO IMAGE

Ref #	Part Number	Qty	Description
73	73360700		NUT
74	74570512		SCREW
75	128144		SUB= 532128144
76			REFER TO IMAGE
77	73350600		NUT
79	125891X		SUB= 532125891
81	74780624		"BOLT,HEX"
84	73710700		NUT LOCK YTH
85	121851X		SUB= 532137180
88	19060916		NLA
89	17030808		SUB= 17030814



NOTE: All component dimensions given in U.S. inches
1 inch = 25.4 mm

Ref #	Part Number	Qty	Description
3	73680500		SUB= 73690500
6	100536K		SHOULDER BOLT LT
7	74760612		SUB= 74780612
8	74760616		BOLT
11	74561014		SCREW
12	69180		LOCKNUT
31	73680600		SUB= 73690600
33	17490612		SCREW
56	17021010		SUB= 817021010

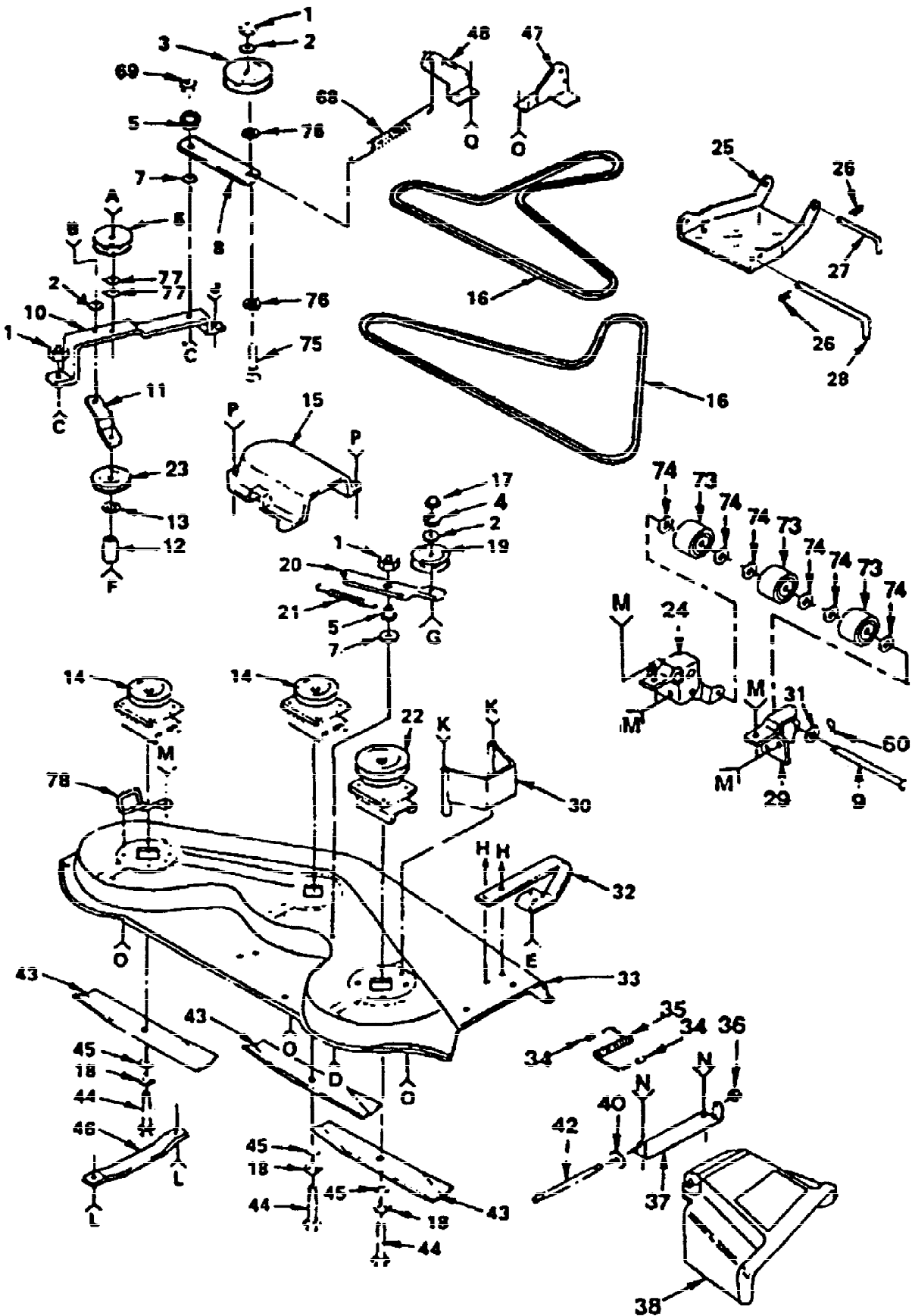


NOTE: All component dimensions given in U.S. inches.
1 inch = 25.4 mm

Ref #	Part Number	Qty	Description
1	73680600		SUB= 73690600
2	19131614		WASHER
51	72140614		BOLT
52	72140608		SUB= 72110608
53	72140612		BOLT
54	74760620		SUB= 74780620
55	72140506		BOLT
56	19111116		WASHER
57	73680500		SUB= 73690500
58	74760648		BOLT - HEX 3/8 - 16 X 3
59	74110632		SCREW YT
61	19111216		WASHER M
62	74760580		BOLT
66	17490612		SCREW
67	72140606		BOLT
70	72110506		SUB= 72270506
72	1685H		SUB= 68478
79	72110505		BOLT
80	74760616		BOLT
	121826X		SUB= 532131508

18 HP 44" TRACTOR - MODEL NUMBER Y18H44A

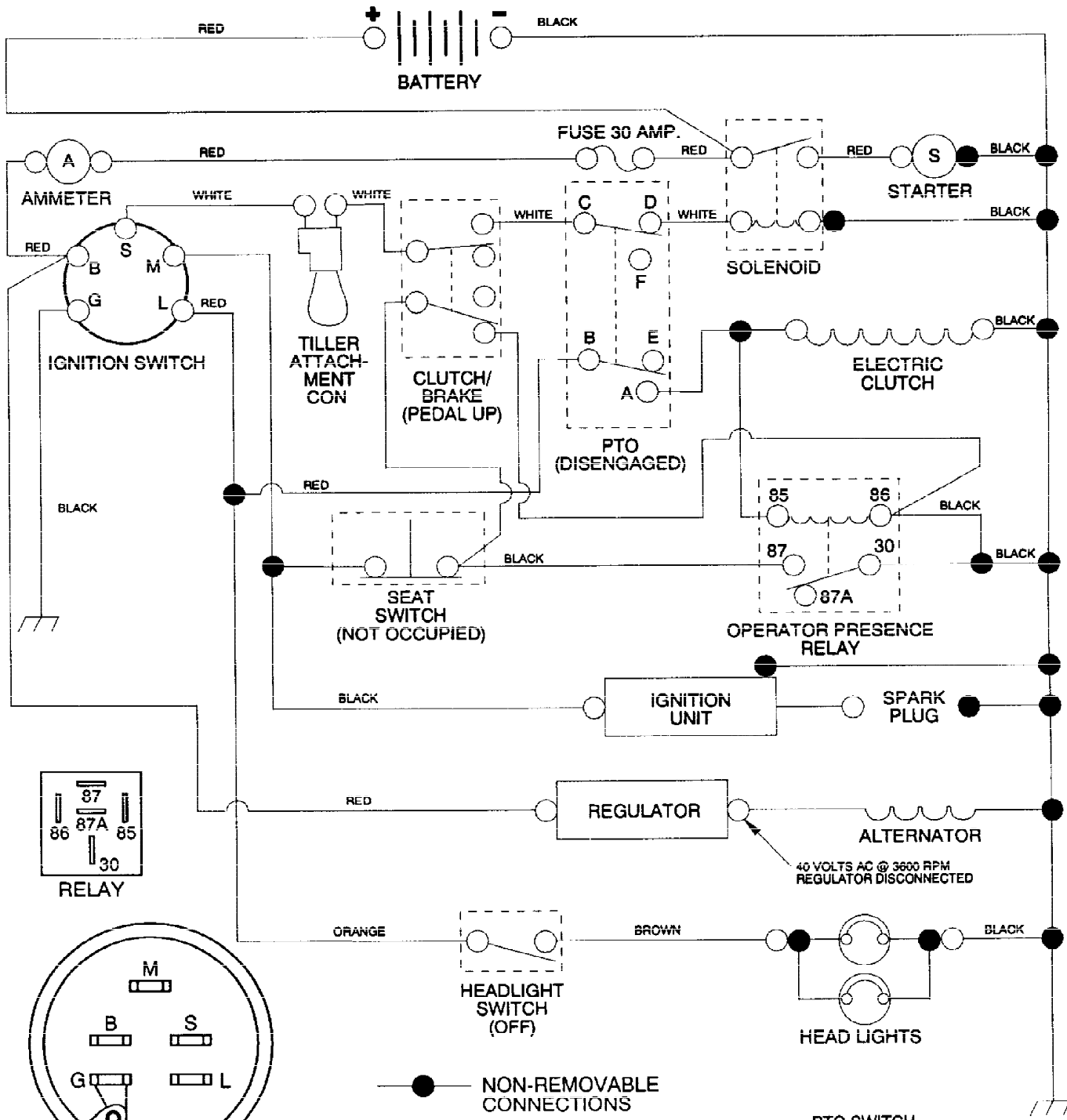
MOWER DECK



Ref #	Part Number	Qty	Description
1	73680600		SUB= 73690600
2	19131614		WASHER
3	121316X		PULLEY IDLER
4	10040600		LOCKWASHER
5	106902X		SPACER RETAINER
7	106513X		"WASHER, WEAR LT"
8	121425X		ARM IDLER
9	109776X		PIVOT PIN T
10	106523X		"SUPPORT YT, BAR"
11	106522X		BRACE-IDLER YT
12	121236X		SPACER
13	19131316		WASHER
14	121622X		SUB= 136819
15	106214X		GUARD YT
16	106085X		BELT-V.79.1.MWR
17	73220600		NUT.HEX.3/8-16UNC
18	10030600		SUB= 10040600
19	102932X		IDLER.FLAT.GTV
20	106526X		ARM-IDLER YT
21	7644J		SPRING T
22	121704X		SUB= 121705X
23	102403X		IDLER-FLAT T
24	109599X		BRACKET LH YTH
25	105662X		LINK.PARALLEL
26	4921H		SPRING.RETAINER
27	105744X		"ROD, FRT. PARAL T"
28	109835X		HINGE PIN T
29	109600X		BRACKET RH YTH
30	108119X		GUARD BELT HYT
31	19151616		SUB= 19171616
32	8418J		SUB= 136321
33	121423X		SUB= 144729
34	105304X		CAP-SLEEVE LT
35	106734X		SUB= 123713X
36	110452X		NUT PUSH M
37	109743X		SUB= 137607
38	109785X		DEFLECTOR SHIELD
40	19111016		WASHER
42	106735X		ROD-HINGE T
43	106635X		SUB= 25034
44	74610624		BOLT.3/8-24X1-1/2
45	19132012		WASHER
47	123807X		BRKT SUSP REAR RH
48	123808X		BRKT SUSP REAR LH
60	76020412		COTTER PIN
68	102727X		"SPRING.EXT.8.5""
73	109729X		ROLLER T
74	19151610		WASHER T
75	72140620		BOLT
76	19131210		WASHER
77	19131410		WASHER
78	121352X		BELT RETIANER
	121826X		SUB= 532131508

18 HP 44" RIDING YARD TRACTOR -- MODEL NUMBEY18H44A

SCHEMATIC

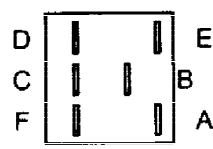


POSITION	CIRCUIT
OFF	M + G
ON	B + L
START	B + S

WIRING INSULATED CLIPS
NOTE IF WIRING INSULATED CLIPS WERE REMOVED FOR SERVICING OF UNIT, THEY SHOULD BE REPLACED TO PROPERLY SECURE YOUR WIRING

PTO SWITCH

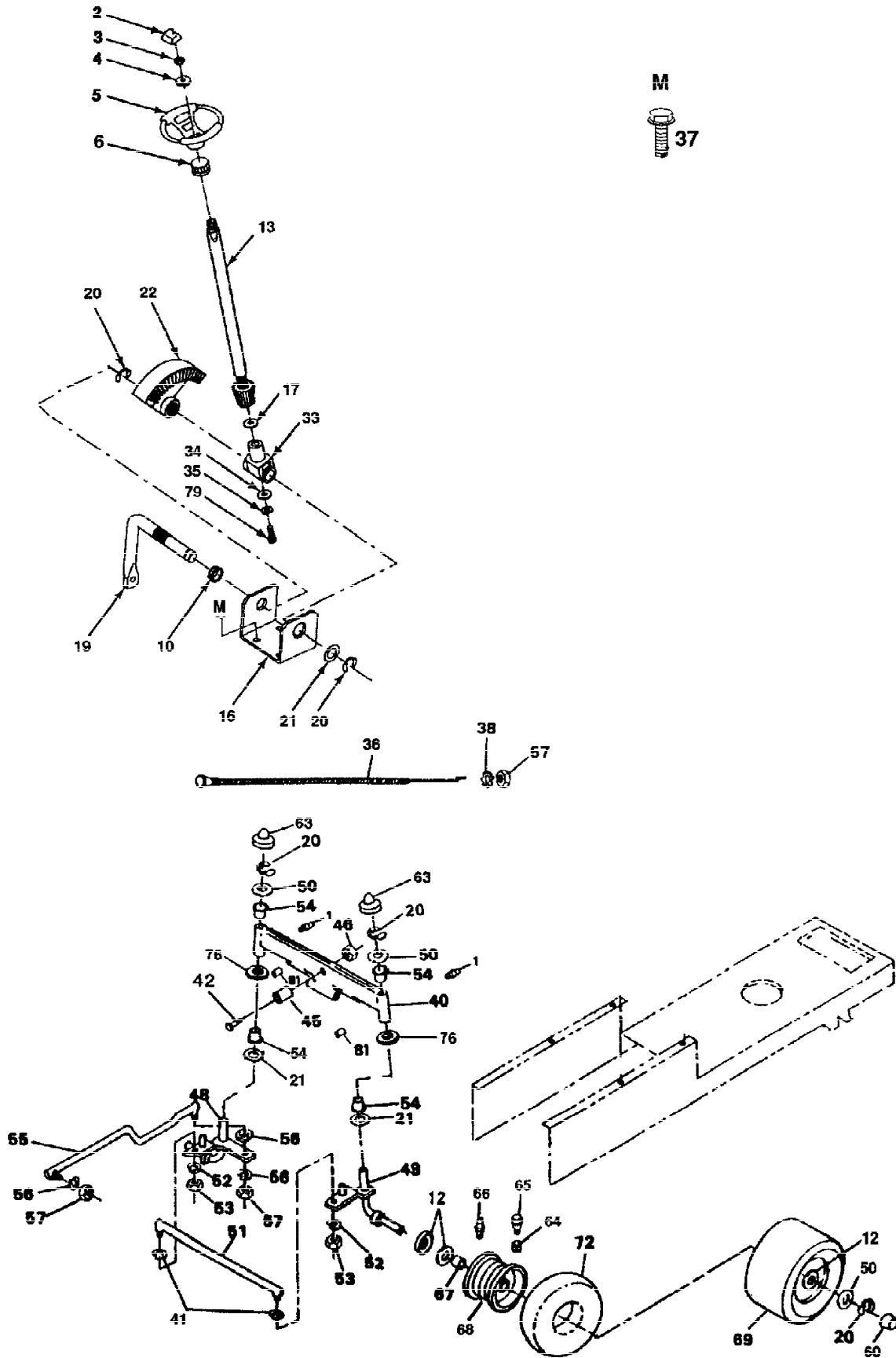
POSITION	CIRCUIT
OFF	B + E, C + D
ON	B + A, C + F



Ref #	Part Number	Qty	Description REFER TO IMAGE
-------	-------------	-----	-------------------------------

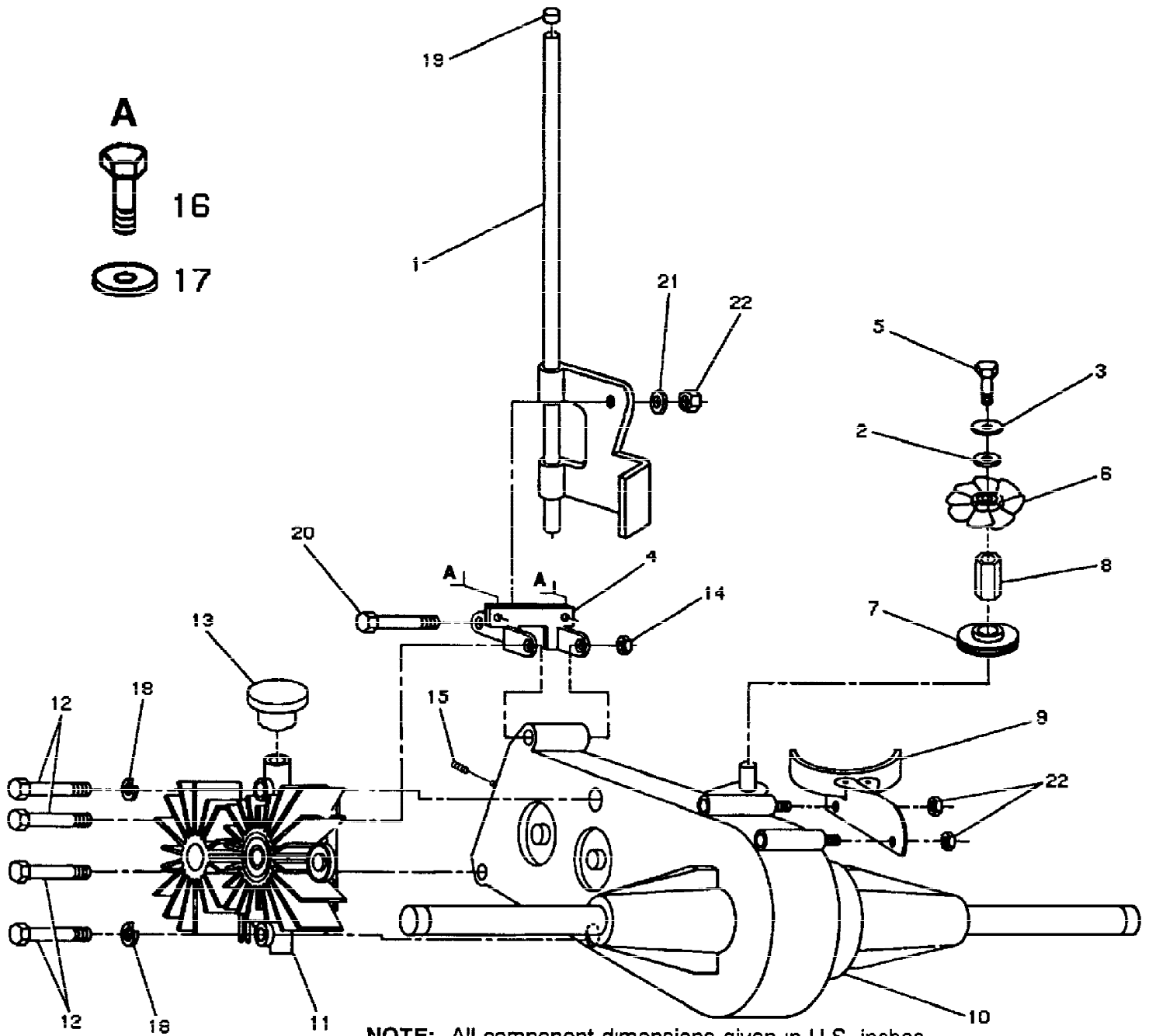
18 HP 44" YARD TRACTOR - MODEL NUMBER Y18H44A

STEERING AND FRONT AXLE



Ref #	Part Number	Qty	Description
1	6855M		ZERK M
2	121584X		INSERT STEERING
3	73940800		SUB= 73360800
4	100712K		WASHER
5	121472X		SUB= 150546
6	100711L		ADAPTER LT
10	109816X		NYLINER T
12	121749X		WASHER
13	128762		SUB= 156544
16	124036X		"BRKT,STEERING"
17	57079		THRUST WASHER
19	127501		SUB= 918127501
20	12000029		RING
21	6266H		WASHER .T
22	124034X		SUB= 136874
24	105518X		DASH-LOWER YT
30	121236X		SPACER
31	128231		SUB= 140181
33	124035X		SUPPORT.SHAFT
34	126684X		SUB= 532126684
35	10040400		LOCKWASHER
36	132781		CHOKE CONTROL
37	17490612		SCREW
38	11050600		LOCKWASHER
40	108075X		FRONT AXLE
41	19111216		WASHER M
42	74011056		BOLT HEX 5/8-11
45	110438X		BEARING
46	73601000		SUB= 73901000
48	130460		SUB= 532130460
49	130459		SPINDLE ASM RH
50	121748X		WASHER
51	130467		TIE ROD
52	10040500		LOCKWASHER
53	73810500		NUT.LOCK.5/16-24
54	6266H		WASHER .T
55	130468		SUB= 532130468
56	10040600		LOCKWASHER
57	73610600		SUB= 7810H
60	104757X		HUB CAP
61	124996X		SUB= 2751R
63	121232X		CAP
64	59192		VALVE CAP
65	65139		VALVE STEM LT
66	278H		FITTING LT
67	9040H		"FLANGE, BEARING"
68	106732X361		SUB= 106732X417
69	106222X		SUB= 122073X
72	59904		TUBE.5.3/4.5/6
76	19272016		WASHER
79	71070410		"SCREW,SPECIAL"
81	132624		AXLE PIN

18 HP 44" TRACTOR - MODEL NUMBER Y18H44A
SUNDSTRAND PUMP - - MODEL NUMBER BDU-10

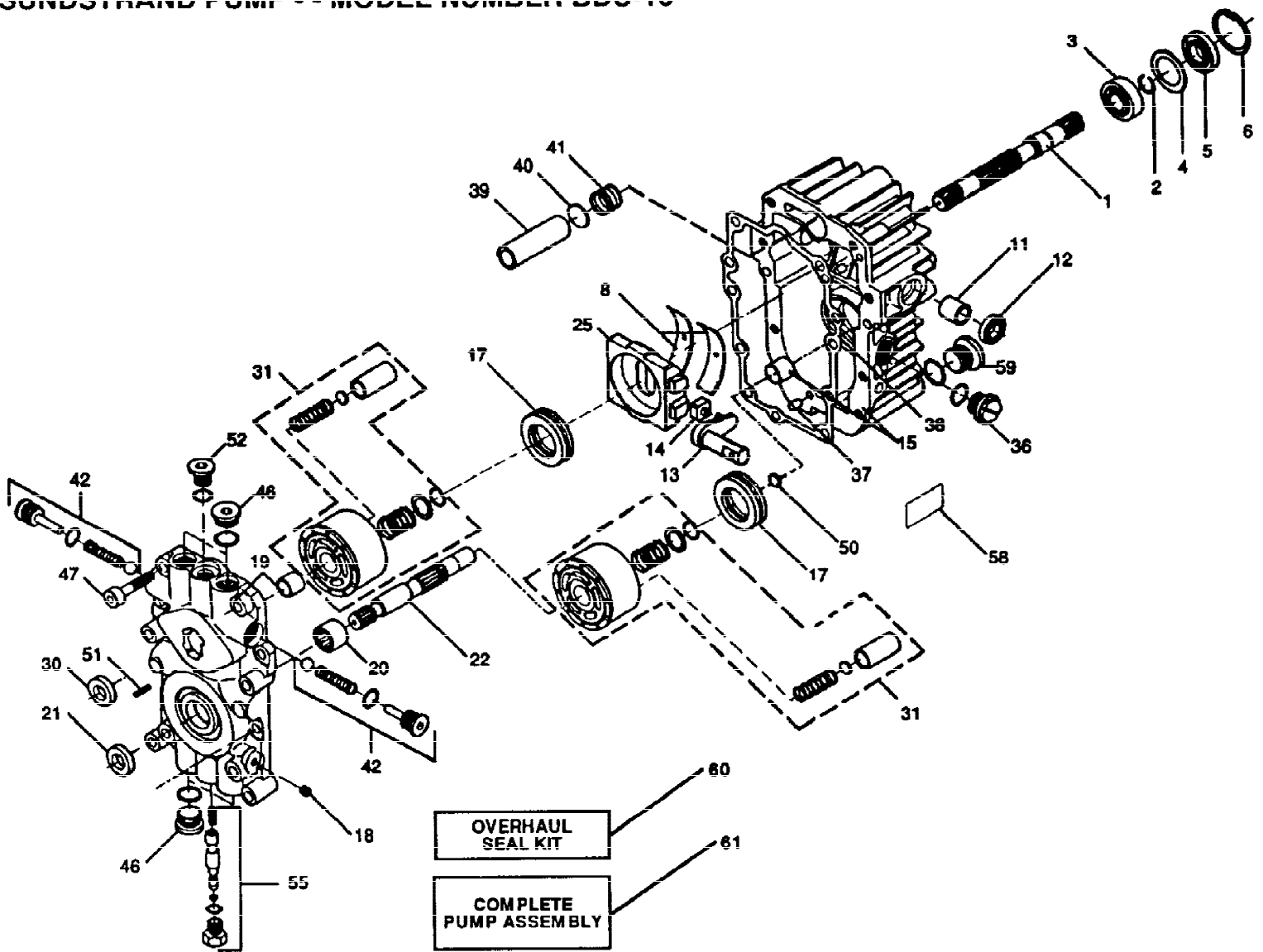


NOTE: All component dimensions given in U.S. inches.
1 inch = 25.4 mm

Ref #	Part Number	Qty	Description
1	123634X		CONTROL ASSY
2	19092016		WASHER
3	10040400		LOCKWASHER
4	121188X		BRACKET
5	74780412		SUB= 74780414
6	121186X		FAN
7	121180X		PULLEY TRANSAXLE
8	121211X		STANDOFF
9	121182X		GUARD ASSY
10	121431X		TRANSAXLE.AGRIFAB
11	121430X		PUMP.BDU-10S-114
12	74760572		BOLT
13	121323X		PUMP.2003081.
14	73680500		SUB= 73690500
15	121250X		SPRING
16	74760612		SUB= 74780612
17	73680600		SUB= 73690600
18	10040500		LOCKWASHER
19	71673		PLUNGER CAP T
20	7605J		BOLT T
21	120529X		WASHER T
22	73680400		SUB= 73690400

18 HP 44" TRACTOR - MODEL NUMBER Y18H44A

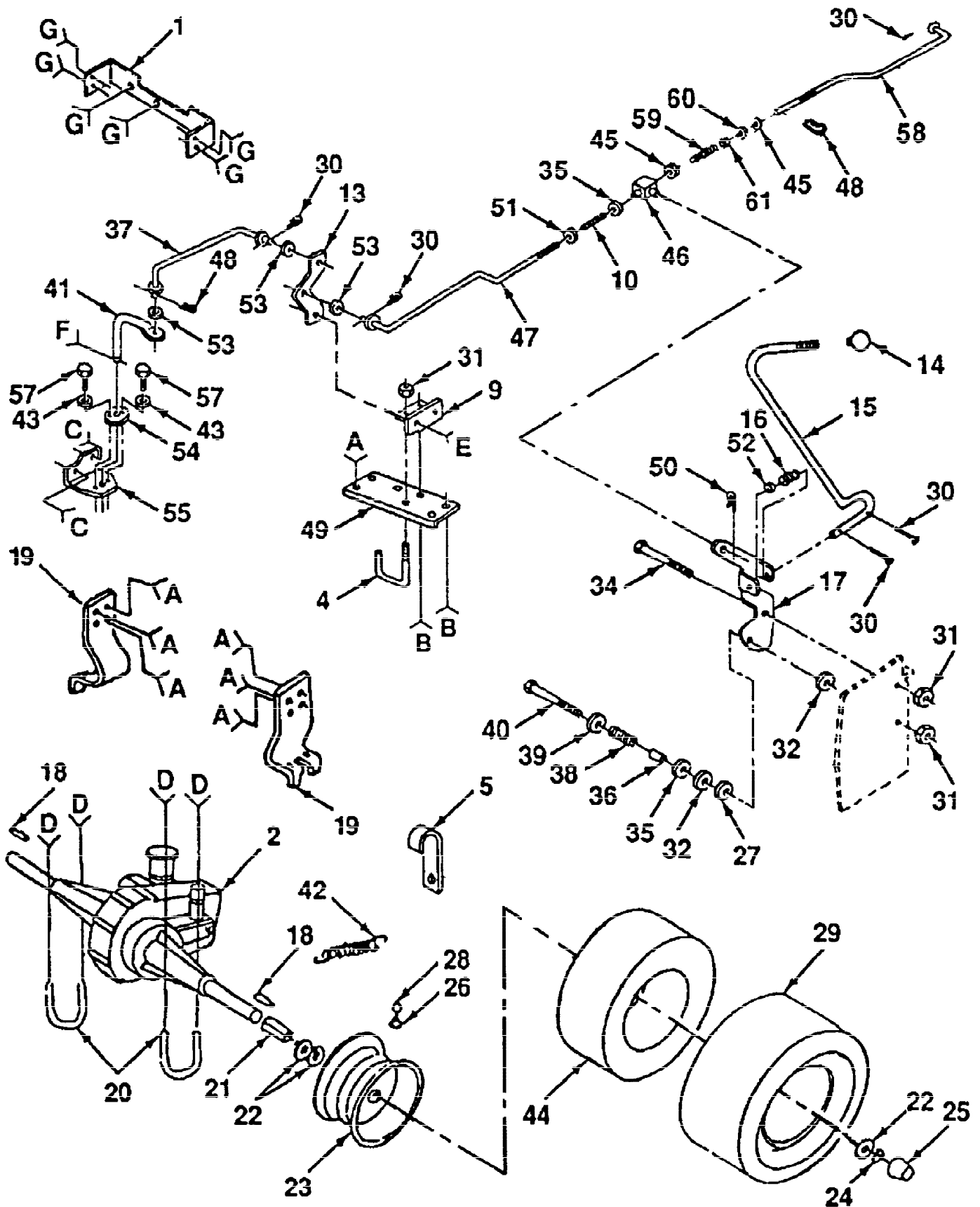
SUNDSTRAND PUMP - - MODEL NUMBER BDU-10



Ref #	Part Number	Qty	Description
1	122756X		SHAFT.PU.2003022
2	122716X		RETAINIANG RING-(2003016)
3	122745X		BALL BEARING
4	122715X		SPACER
5	122700X		SEAL LIP
6	122699X		RING.RET.2003052
8	122767X		CRADLE BEARING (2003023)
11	122747X		BEARING
12	122717X		SEAL.9008000-0126
13	122748X		TRUNION ARM (2003005)
14	122749X		GUIDE.2000015.HYD
15	127146X		SUB= 121430X
17	122770X		SUB= 142936
18	122771X		PLUG PIPE
19	127147X		"KIT,CTR SECTION (2513007)"
20	122773X		NEEDLE BEARING
21	122722X		LIP SEAL-9008000-0127
22	122750X		SHAFT
25	127148X		"SWASHPLATE,VARIAB"
30	122723X		SEAL LIP
31	127149X		"KIT,BLOCK CYLINDE"
32	127150X		SUB= 127149X
36	127151X		"PLUG,PLASTIC 9005200-8700"
37	122786X		PIN
38	122718X		GASKET.20030600
39	122731X		FILTER
40	122730X		WASHER (2000011)
41	122728X		SPRING
42	127152X		KIT.VALVE.2513014
46	122787X		PLUG
47	122752X		SCREW9007314-0808
50	122788X		WASHER
51	122789X		PIN
52	122754X		PLUG
55	127153X		"KIT,BYPASS VALVE"
58	122727X		ADHESIVE LABEL
59	122790X		PLUG
60	127154X		"KIT,OVERHEAD SEAL -2513013"
61	121430X		PUMP.BDU-10S-114

18 HP 44" TRACTOR - MODEL NUMBER Y18H44A

TRANSAXLE AND REAR WHEEL



Ref #	Part Number	Qty	Description
1	121187X		PLATE TRANS SUPT
2	121431X		TRANSAXLE.AGRIFAB
4	121190X		KEEPER
5	2751R		CLIP T
9	121206X		BRKT BELLCRANK
10	102670X		SPRING GTV
13	121204X		BELLCRANK
14	121274X		KNOB.DUCKHEAD.1/2
15	110845X		ROD.YTH
16	121631X		SPRING TORSION
17	108196X		BRKT CONTROL HYT
18	123583X		SQUARE KEY
19	126649X		BRKT TRANSAXLE
20	121189X		U BOLT
21	121199X		SPACER SPLIT
22	121748X		WASHER
23	106108X361		SUB= 106108X417
24	12000001		E-RING LT
25	104757X		HUB CAP
26	65139		VALVE STEM LT
27	108972X		WASHER HYT
28	59192		VALVE CAP
29	122082X		SUB= 918122082X
30	76020412		COTTER PIN
31	73680600		SUB= 73690600
32	108200X		WASHER FRIC HYT
34	108518X		BOLT HYT
35	19212016		WASHER D
36	108201X		SPACER HYT
37	121202X		LINK CONTROL
38	108844X		SPRING HYT
39	19132012		WASHER
40	74760648		BOLT - HEX 3/8 - 16 X 3
41	121209X		ARM ASM PUMP
42	110422X		SUB= 146682
43	19070816		WASHER
44	7152J		TUBE.18X9.5-8
45	73800600		NUT
46	108212X		TRUNION HYT
47	121750X		ROD ADJ CONTROL
48	4497H		RETAINER M
49	123186X		BRACKET
50	4921H		SPRING.RETAINER
51	19131212		WASHER T
52	19151516		WASHER
53	110739X		WASHER T
54	121217X		GUIDE CONTROL
55	121216X		BRKT
57	17490512		SCREW
58	132654		SUB= 532132654
59	106888X		SPRING ROD LT
60	19131316		WASHER
61	73350600		NUT