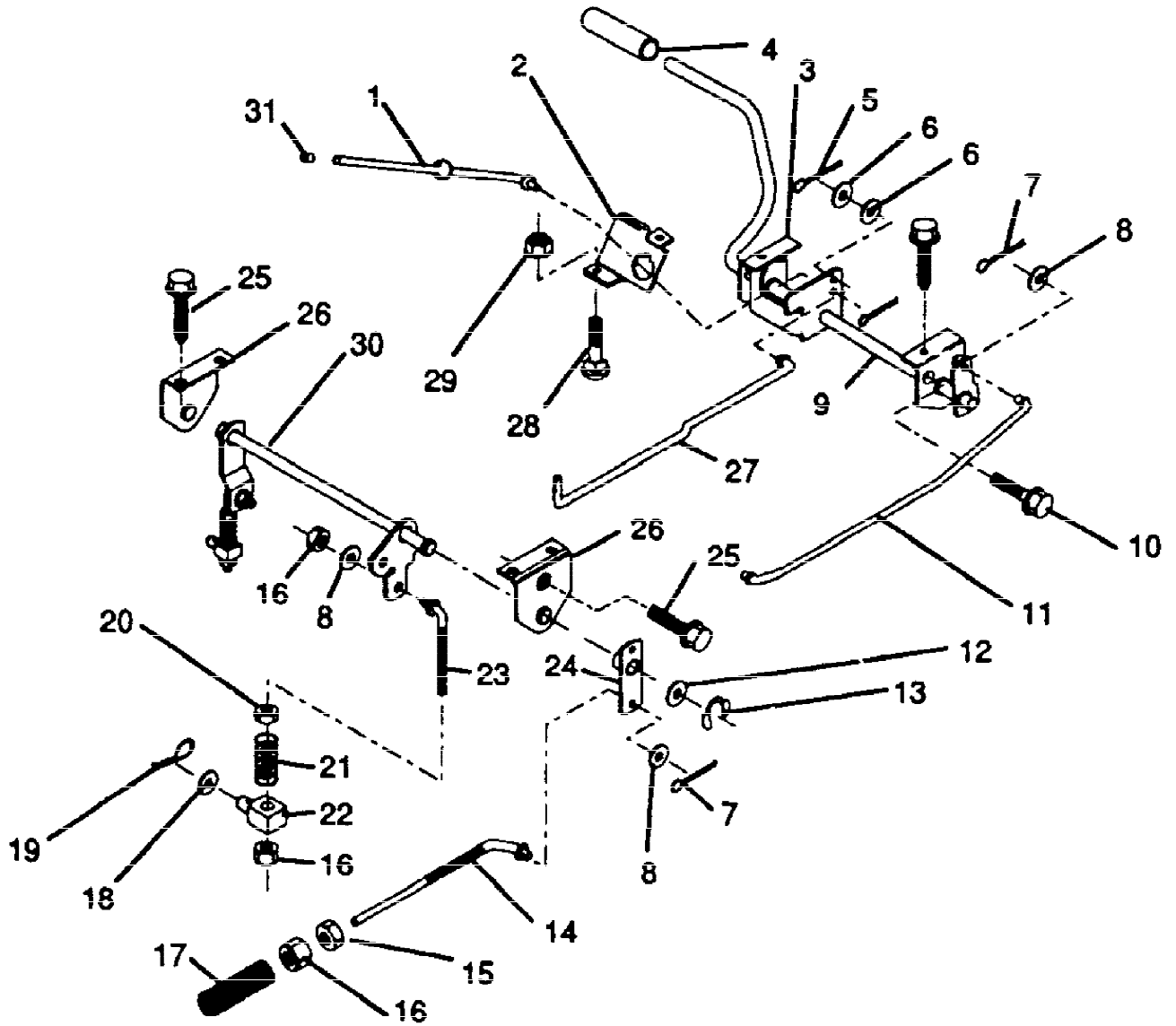
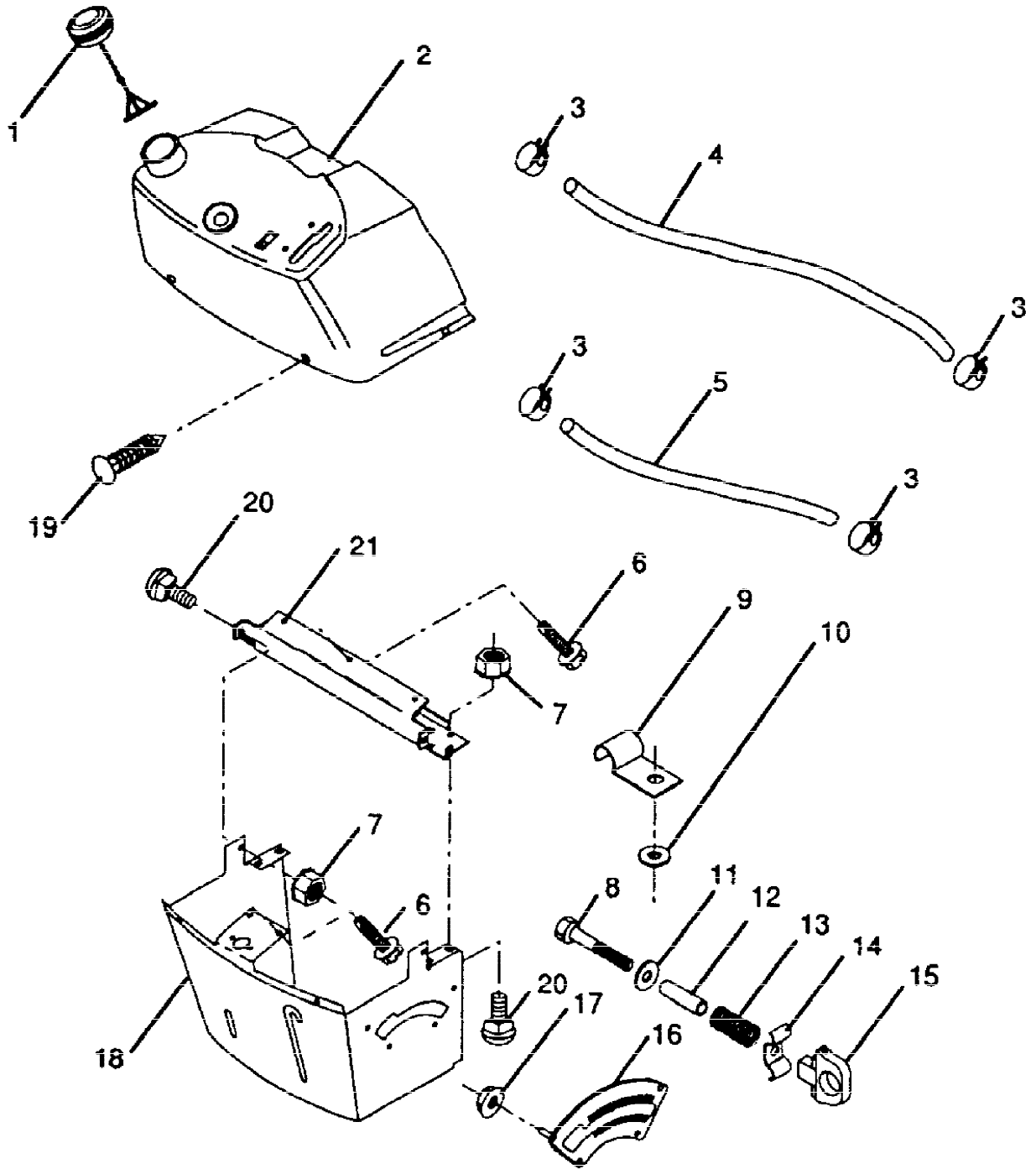


# BRAKE / REAR MOWER LIFT ASSEMBLY



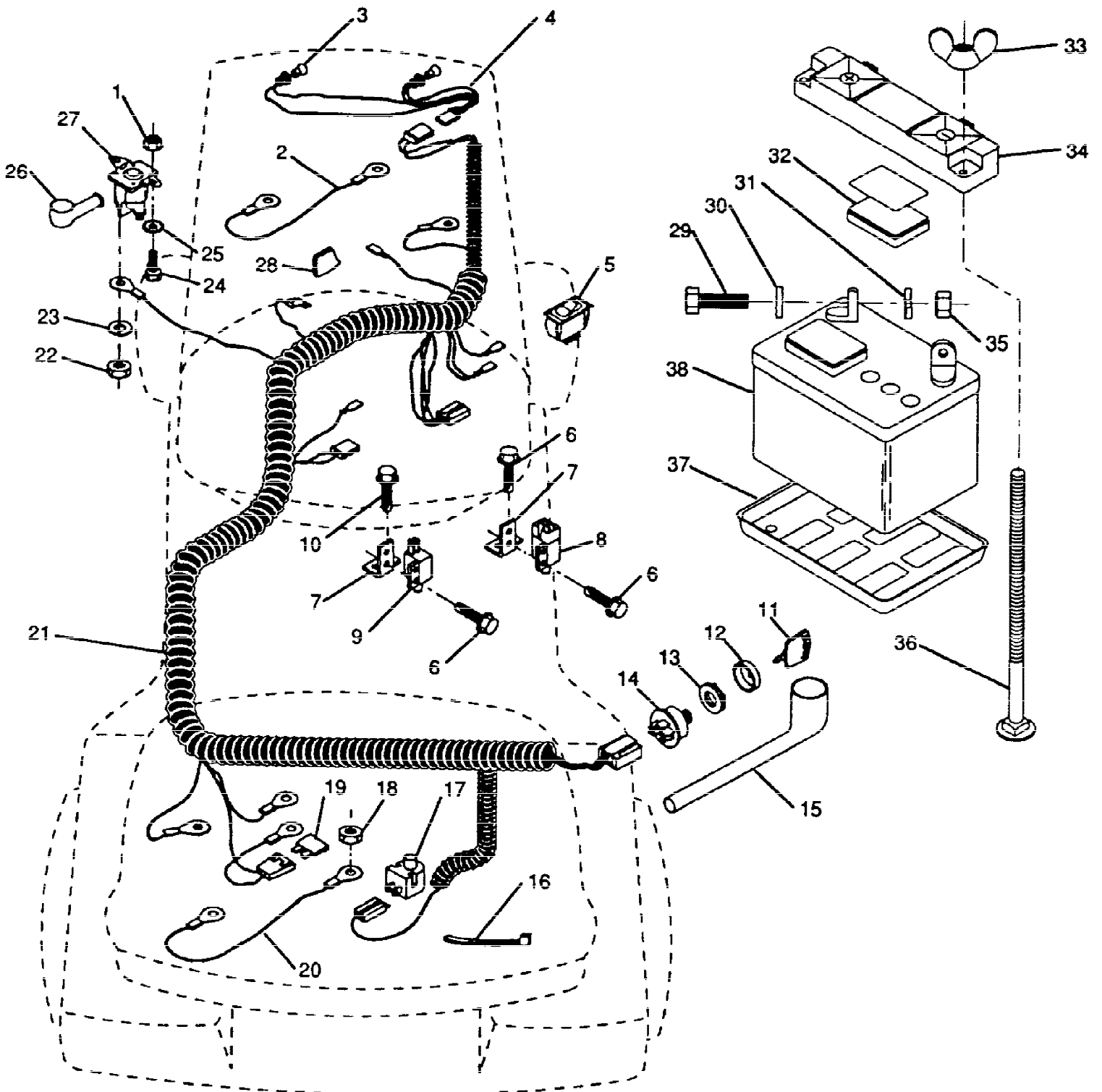
Ref #	Part Number	Qty	Description
1	123436X		"ROD,PARK BRAKE"
2	123437X		"BRKT,PARK BRAKE"
3	122504X		"BRKT,CLU PEDAL LH"
4	8883R		PEDAL COVER T
5	76020312		SUB= 3145
6	19131016		WASHER
7	76020412		COTTER PIN
8	19131316		WASHER
9	124145X		SUB= 139933
10	17490508		SCREW LT
11	123543X		"ROD,FRT BRAKE"
12	19251816		WASHER T
13	12000034		KLIP RING
14	123546X		SUB= 131461
15	73350600		NUT
16	73680600		SUB= 73690600
17	106888X		SPRING ROD LT
18	19132012		WASHER
19	4921H		SPRING.RETAINER
20	73930600		LOCKNUT
21	106888X		SPRING ROD LT
22	106204X		SUB= 132793
23	123672X		"LINK.LIFT.3.5""
24	123641X		BRAKE PIVOT ARM
25	17490508		SCREW LT
26	121978X		"BRKT,LIFT SHAFT"
27	123394X		"ROD,CLUTCH"
28	72110506		SUB= 72270506
29	73510500		NUT
30	123547X		REAR MOWER LIFT
31	71673		PLUNGER CAP T

# DASH



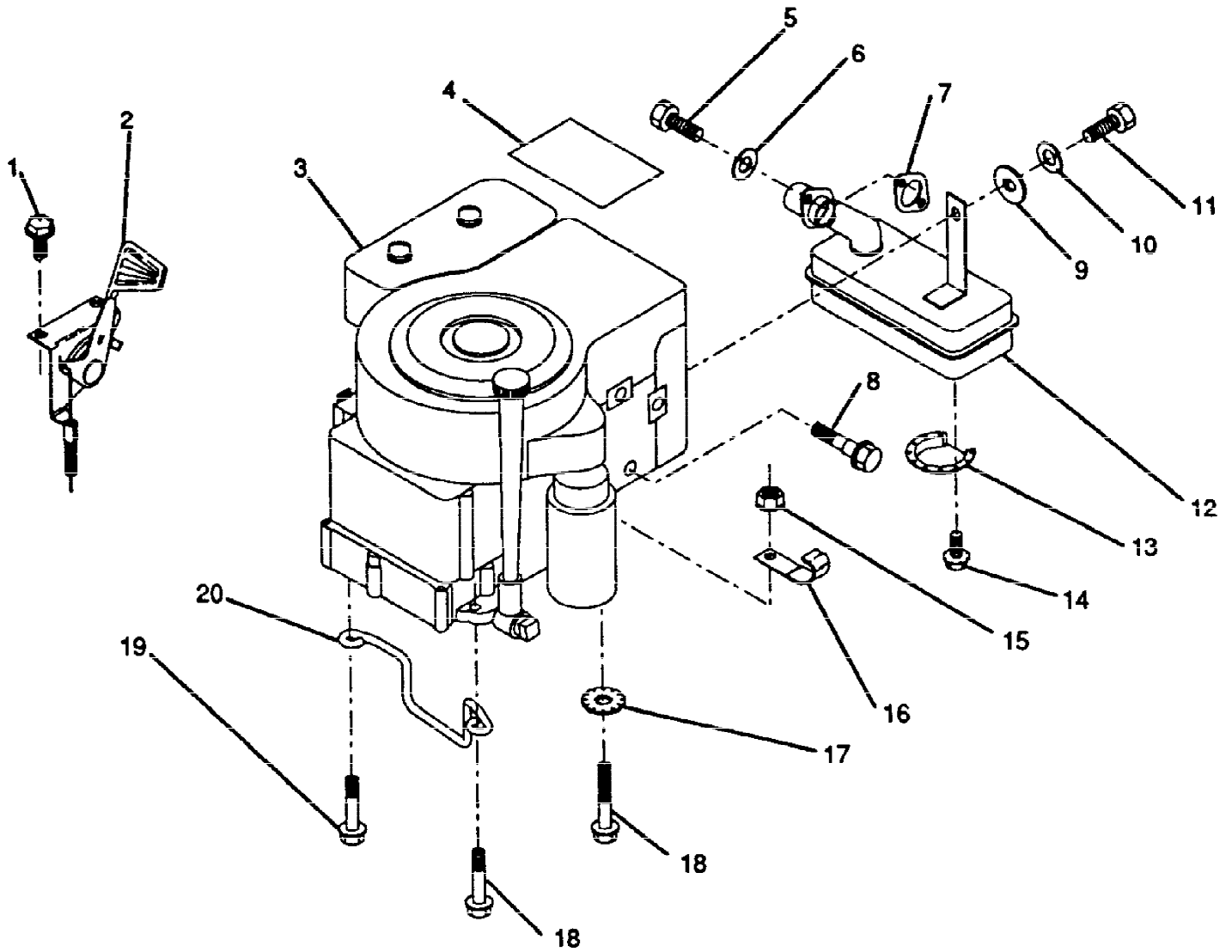
Ref #	Part Number	Qty	Description
1	122015X		SUB= 141523
2	124540X		SUB= 138392
3	123487X		HOSE CLAMP
4	8548R		FUEL LINE T
5	8544R		SUB= 295J
6	17111312		SCREW
7	73510400		NUT
8	74760432		BOLT
9	2751R		CLIP T
10	19091216		WASHER PM
11	19111116		WASHER
12	123494X		SPACER SPLIT
13	2876H		SPRING T
14	123493X		HEIGHT ADJ
15	126115X		KNOB
16	122023X		ADJUSTER QUAD
17	124346X		NUT
18	121789X		SUPPORT DASH
19	122017X		SNAP
20	72110404		BOLT
21	122016X		"BRAKE,CROSS"

# ELECTRICAL



Ref #	Part Number	Qty	Description
1	73510400		NUT
2	105002X		CABLE LTV
3	7662J		SUB= 4152J
4	110859X		HARNESS T
5	110712X		SWITCH LT
6	17021008		SCREW
7	108236X		BRACKET LT
8	104445X		SWITCH-INTER. GT
9	109553X		SWITCH INTERLOCKT
10	17211008		SCREW
11	122147X		KEY
12	123620X		SUB= 141226
13	124211X		NUT IGNITION
14	4406R		SUB= STD365402
15	124083X		COVER IGNITION SW
16	7192J		WIRE TIE
17	121305X		SWITCH SEAT
18	73510500		NUT
19	108824X		FUSE HYT
20	596J		SUB= 2955J
21	124190X		HARNESS IGNITION
22	73350400		NUT
23	10090400		SUB= 10040400
24	74780408		BOLT
25	11050400		LOCKWASHER
26	719J		SUB= 154336
27	109081X		SUB= 146154
28	125760X		STOP PLASTIC
29	74760412		BOLT LT
30	19091016		WASHER
31	10040400		LOCKWASHER
32	121264X		"CAP,BATTERY "
33	123198X		SUB= 146525
34	102476X		SUB= 150109
35	73220400		SUB= 50675
36	72240460		BOLT
37	7603J		"TRAY T, BATTERY"
38	121265X		SUB= 123899X
	123374X1E		MANUAL OWNERS ENGLISH
	125763X1F		MANUAL OWNERS FRENCH
	MS-9250		OPERATING AND MAINTENANCE MANUAL
	125568X		NLA
	26436X		PARTS LIASST FRENCH

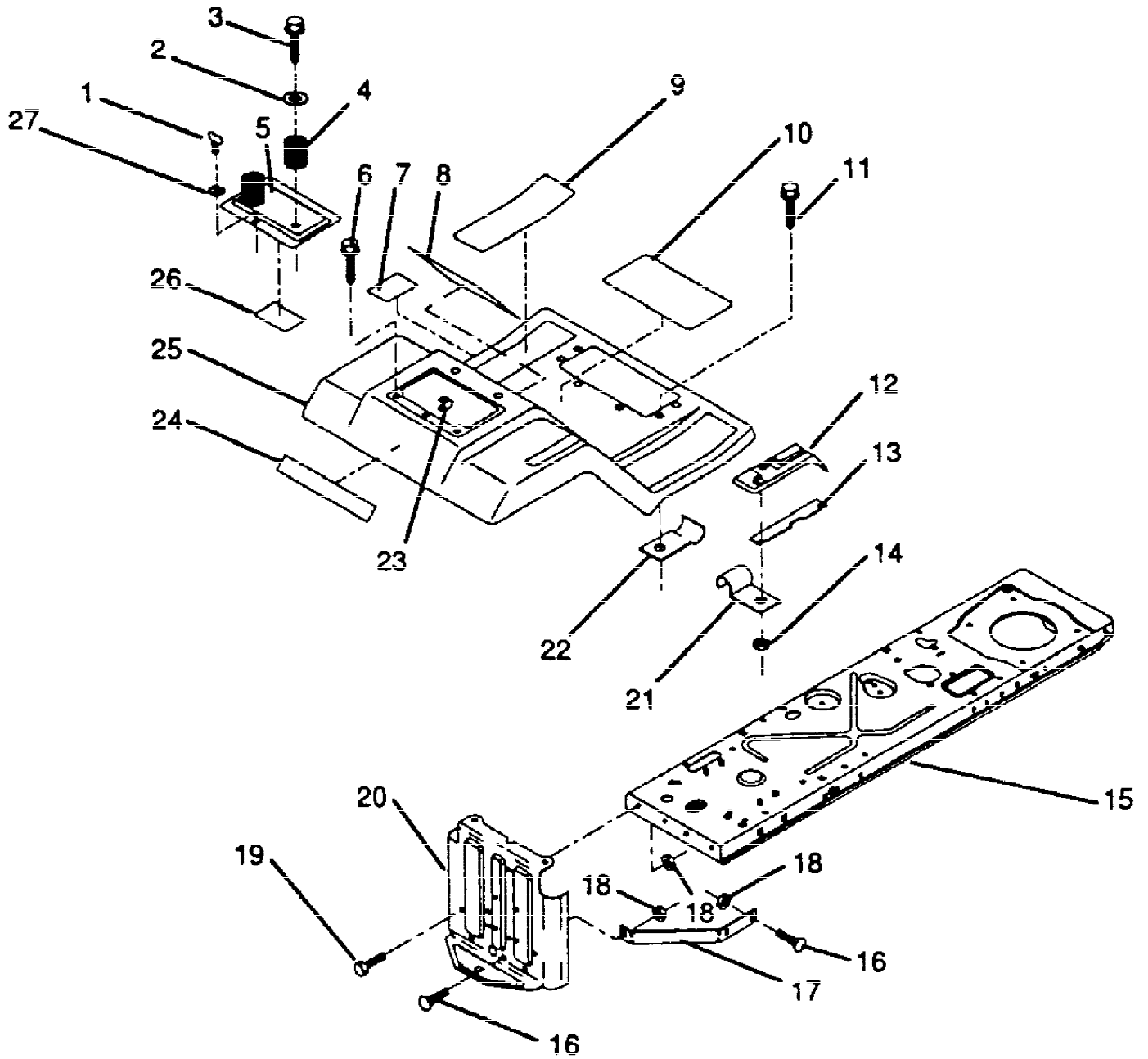
# ENGINE / THROTTLE



Ref #	Part Number	Qty	Description
1	17720408		SCREW
2	122014X		SUB= 132752
3	124136X		ENGINE BRIGGS AND STRATTON
4	120601X		DECAL.ENG.271967
5	71070512		SCREW
6	10040500		LOCKWASHER
7	1407J		SUB= 272293
8	121094X		BOLT T
9	19101216		WASHER
10	10040400		LOCKWASHER
11	74780412		SUB= 74780414
12	123676X		SUB= 137437
13	101326L		DEFLECTOR.222573
14	17030808		SUB= 17030814
15	73510600		NUT
16	2751R		CLIP T
17	11050600		LOCKWASHER
18	17490632		SCREW LT
19	17490624		SCREW LT
20	123401X		SUB= 126636X

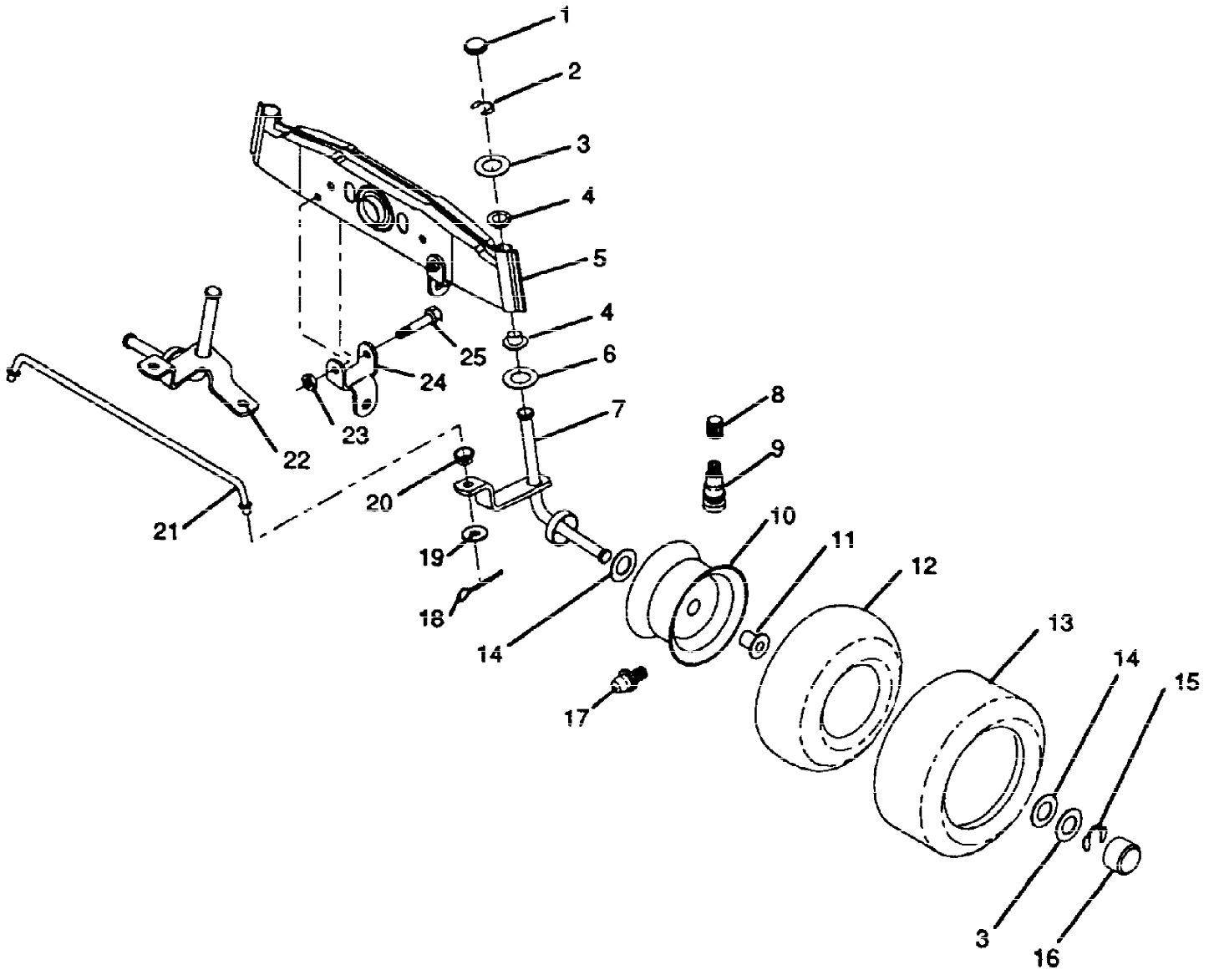


# FENDER / CHASSIS



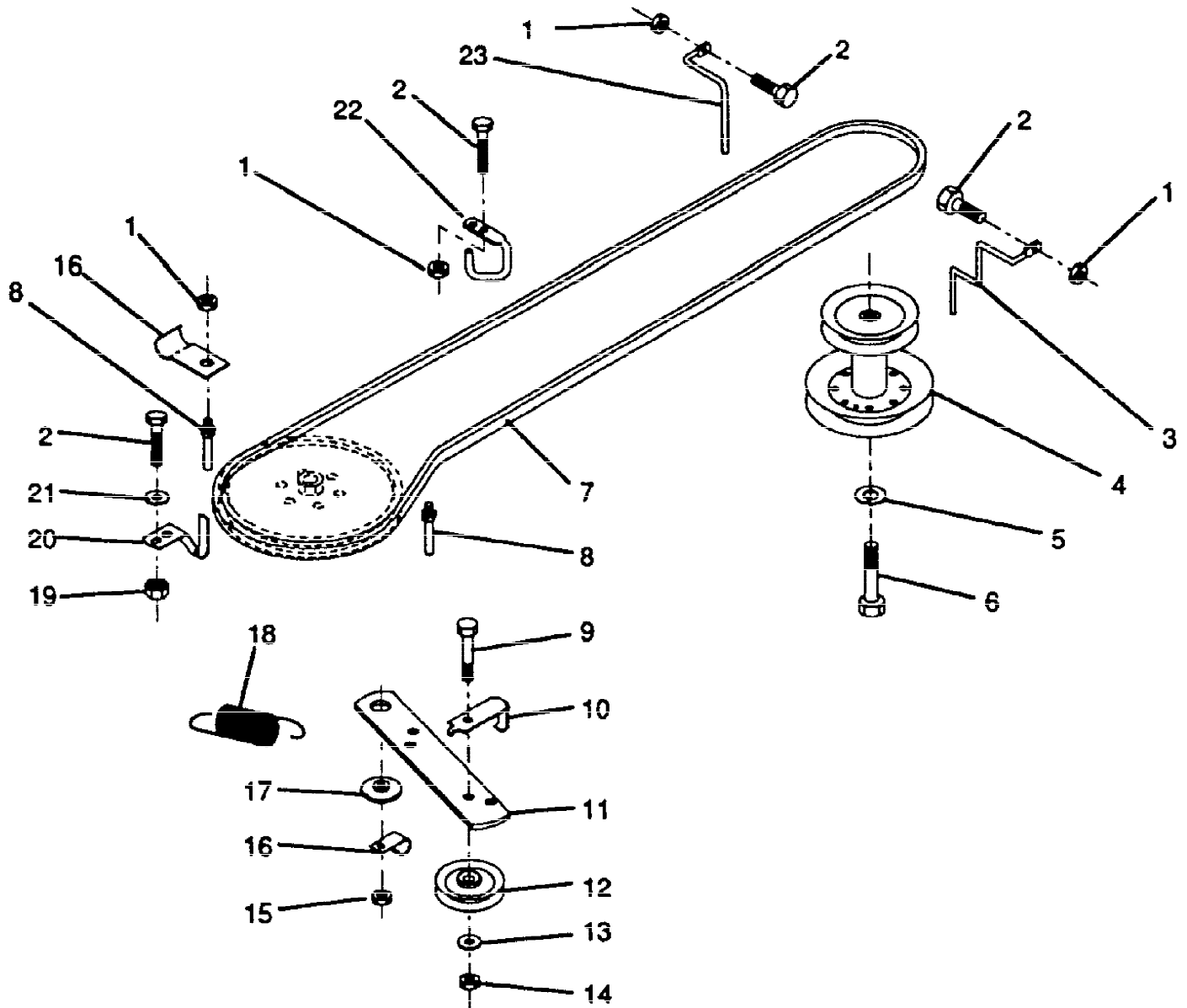
Ref #	Part Number	Qty	Description
1	123650X		STUD.1/4.TURN
2	19132012		WASHER
3	17490612		SCREW
4	124181X		SPRING COMPRESSIO
5	122008X		SUB= 122008X361
6	17490508		SCREW LT
7	123408X		DECAL DRIVE
8	120822X		DECAL
9	124144X		PAD FOOTREST
10	123637X		SUB= 138269
11	17490512		SCREW
12	126221X		SUB= 126999X
13	124307X		"SHIFT LOCK, BAR"
14	120579X		PAL NUT
15	123645X		FRAME ASS'Y
16	72140506		BOLT
17	123379X		"BRACE,DRAWBAR "
18	73680500		SUB= 73690500
19	74760512		BOLT
20	121904X		DRAWBAR
21	6798R		SUB= 2751R
22	6794R		SUB= 2751R
23	105839X		RECEPTACLE LT
24	123689X		NLA
25	124332X		SUB= 124332X417
26	121549X		DECAL
27	105838X		RETAINER LT

# FRONT AXLE



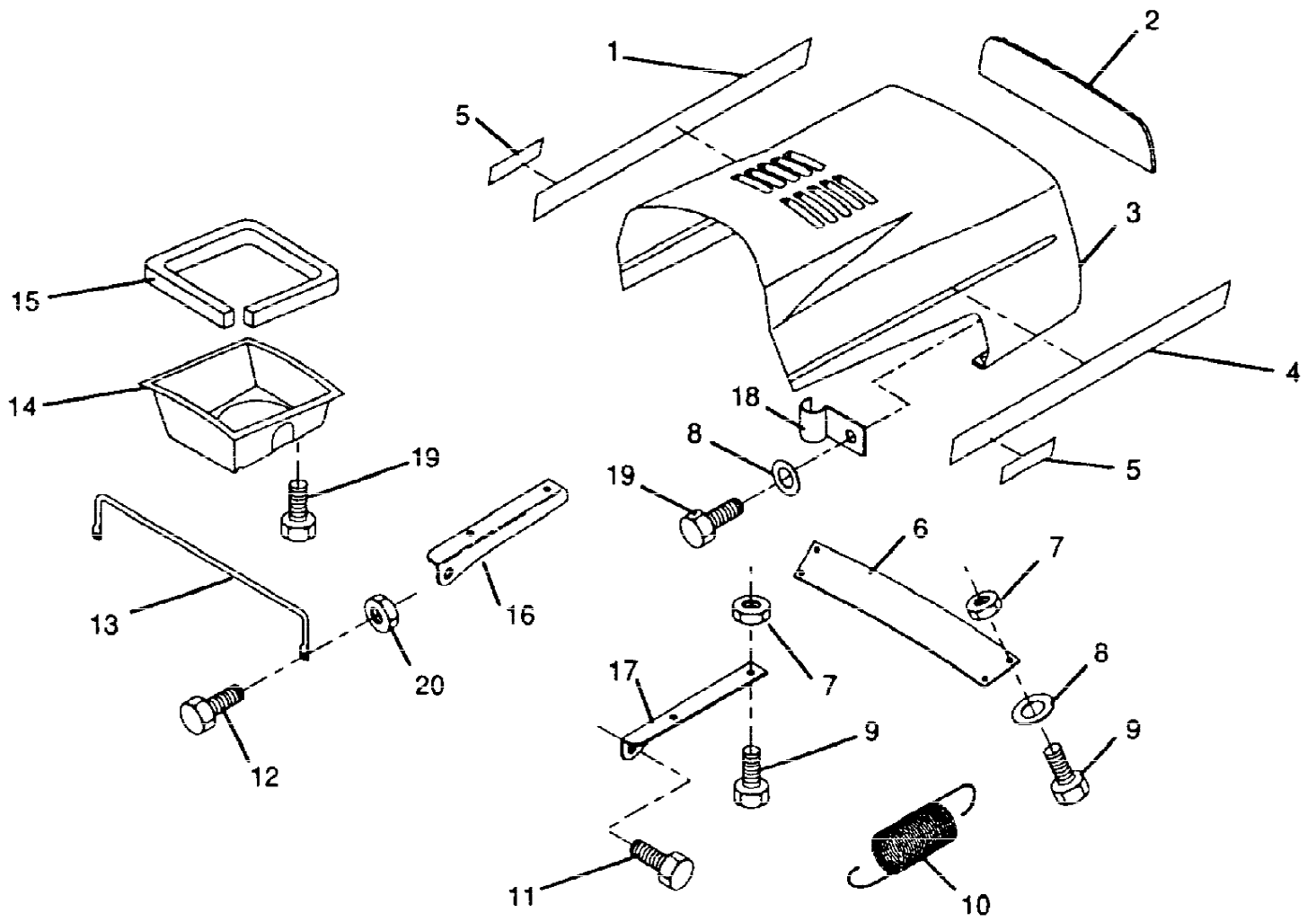
Ref #	Part Number	Qty	Description
1	121232X		CAP
2	12000029		RING
3	121748X		WASHER
4	121922X		NYLINER
5	121914X		AXLE FRONT
6	6266H		WASHER .T
7	121919X		SPINDLE RH
8	59192		VALVE CAP
9	65139		VALVE STEM LT
10	122394X		SUB= 137237X427
11	9040H		"FLANGE, BEARING"
12	59904		TUBE.5.3/4.5/6
13	123410X		TIRE
14	121749X		WASHER
15	12000029		RING
16	104757X		HUB CAP
17	278H		FITTING LT
18	76020412		COTTER PIN
19	19131316		WASHER
20	120754X		SUB= 126847X
21	121924X		ROD TIE
22	121916X		SPINDLE LH
23	73680500		SUB= 73690500
24	121915X		"BRKT,FRONT STAB"
25	74760540		BOLT

# GROUND DRIVE



Ref #	Part Number	Qty	Description
1	73680500		SUB= 73690500
2	74760512		BOLT
3	123448X		KEEPER ENG BEL LH
4	123400X		SUB= 135893
5	10040700		LOCKWASHER
6	74770720		SUB= 71130720
7	124525X		BELT
8	123405X		"KEEPER,DRIVE BELT"
9	74760624		SUB= 74930624
10	123396X		"KEEP,IDLER DR BEL"
11	123395X		SUB= 140911
12	4859J		SUB= 123674X
13	19131316		WASHER
14	73930600		LOCKNUT
15	73680600		SUB= 73690600
16	2751R		CLIP T
17	122052X		SPACER RETAINER
18	123397X		SUB= 131461
19	73510500		NUT
20	123891X		"KEEPER,DR BELT "
21	19111016		WASHER
22	123404X		"KEEPER,FRA DR BEL"
23	123402X		KEEPER ENG DR RH

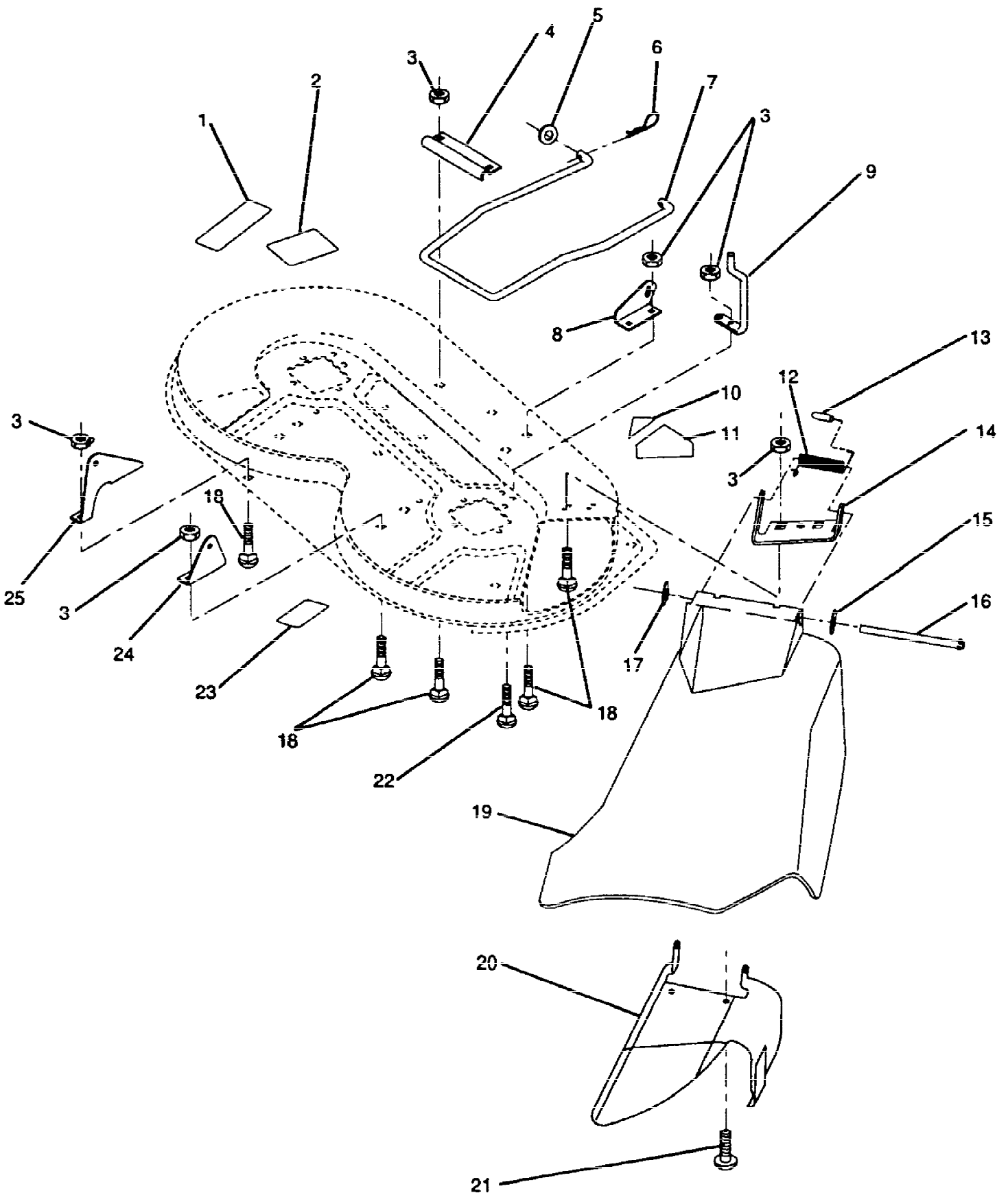
# HOOD



Ref #	Part Number	Qty	Description
1	122036X		NLA
2	122035X		LENS
3	123527X		HOOD&GRILL ASS'Y
4	122037X		NLA
5	122038X		NLA
6	122550X		"STRAP,GRILL"
7	120579X		PAL NUT
8	19091016		WASHER
9	74780410		BOLT
10	124657X		EXT SPRING
11	124312X		BOLT SHOULDER
12	74780412		SUB= 74780414
13	123693X		"BRACE,HOOD"
14	123840X		"DUCT,AIR"
15	120537X		FOAM STRIP LT
16	122548X		BRKT HOOD LH
17	122549X		BRKT HOOD RH
18	2751R		CLIP T
19	17411310		SUB= 17521312
20	73680400		SUB= 73690400

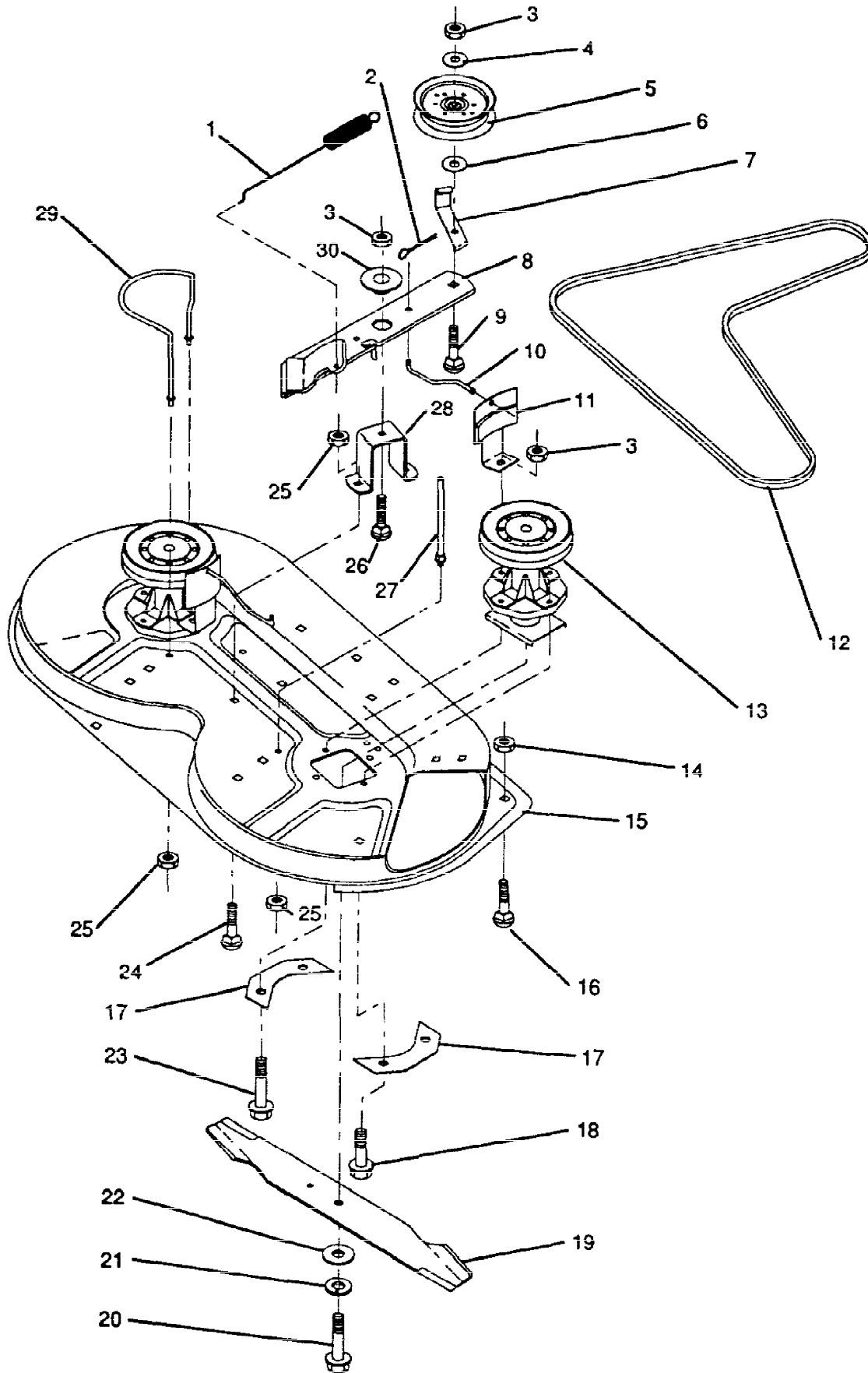


# MOWER DECK



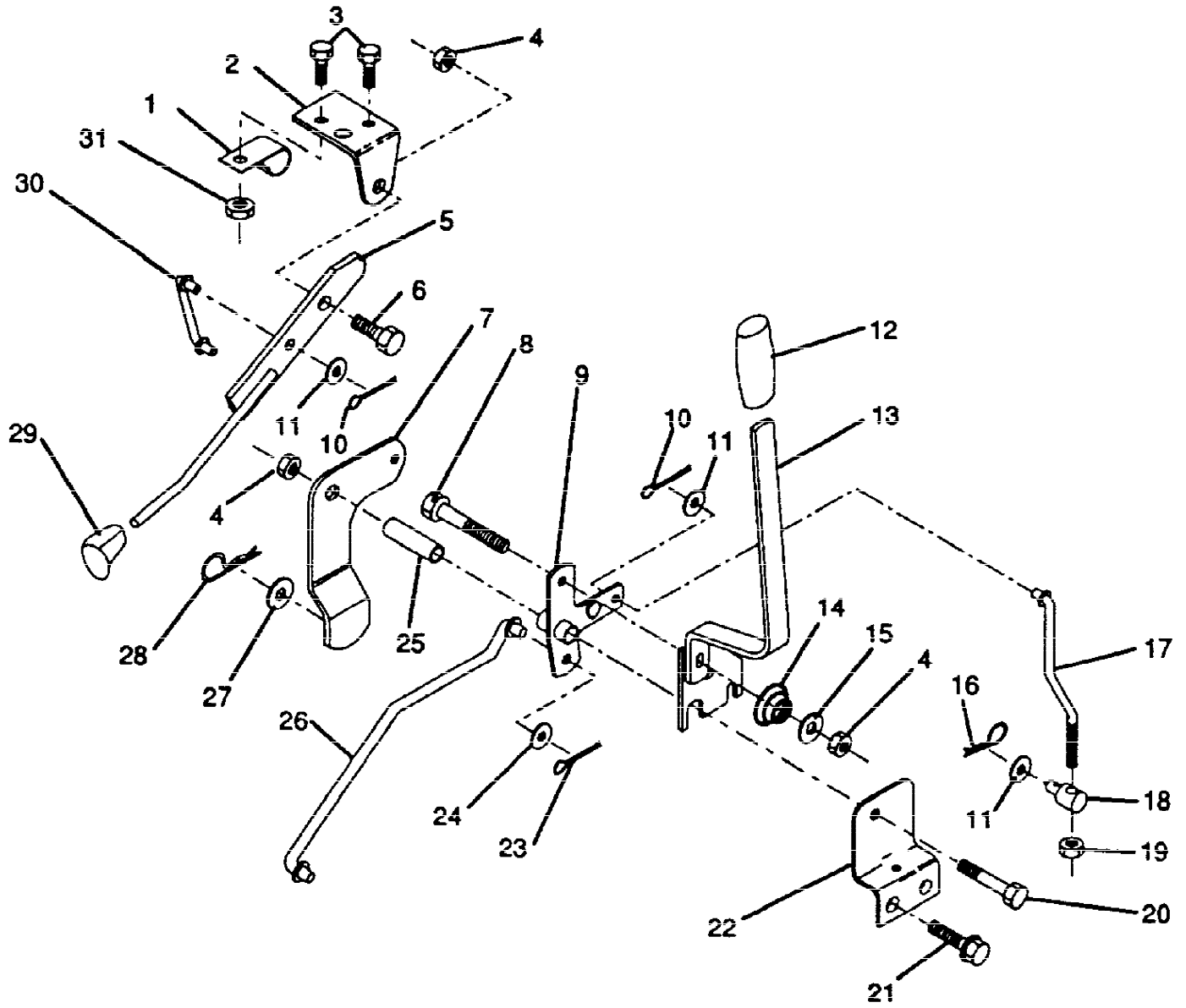
Ref #	Part Number	Qty	Description
1	109820X		DECAL YT
2	105814X		DECAL.LT
3	73680500		SUB= 73690500
4	122047X		"BRKT,STAB LINK"
5	19171713		SUB= 146537
6	4921H		SPRING.RETAINER
7	124636X		STABILIZER MOWER
8	122045X		"BRKT,FRT LIFT RH"
9	123661X		"GUIDE,FRT MAN RH"
10	109984X		NLA
11	123658X		DECAL WARNING
12	123713X		SPRING TORSION
13	105304X		CAP-SLEEVE LT
14	123596X		SUB= 532136631
15	19111016		WASHER
16	121980X		HINGE ROD
17	110452X		NUT PUSH M
18	72140505		BOLT
19	123486X		SUB= 136244
20	125629X		DEFL SUPT ASS'Y
21	17051007		SCREW PAN HD
22	74760512		BOLT
23	123649X		DECAL WARNING
24	122043X		"BRKT,REAR LIFT RH"
25	122044X		"BRKT,REAR LIFT LH"

# MOWER DECK



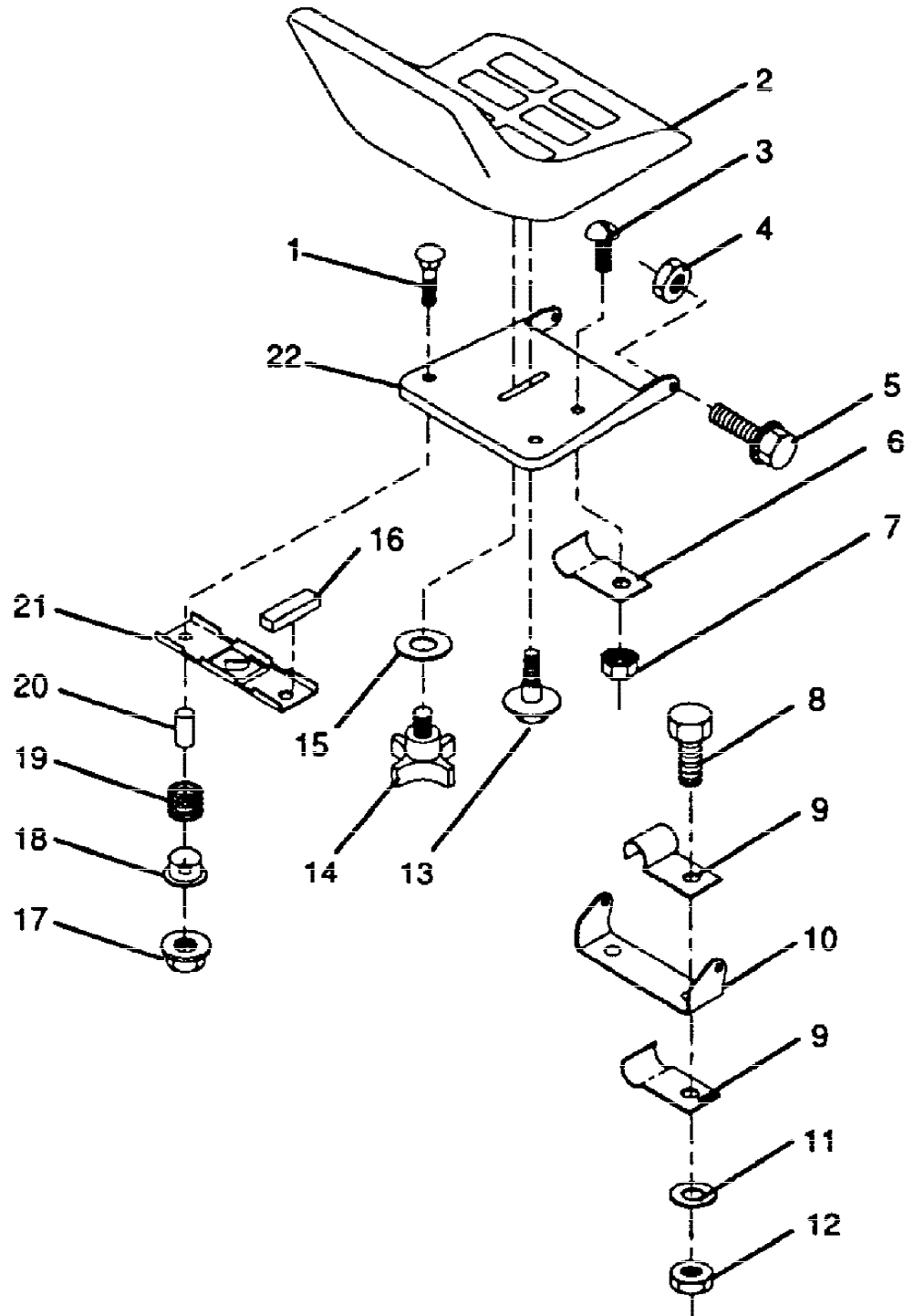
Ref #	Part Number	Qty	Description
1	122028X		SUB= 140064
2	76020312		SUB= 3145
3	73680600		SUB= 73690600
4	19131412		WASHER
5	121316X		PULLEY IDLER
6	19132203		WASHER GT
7	123204X		SUB= 126756X
8	123702X		IDLER ARM ASS'Y
9	72110618		BOLT CARRIAGE
10	122049X		ROD BRAKE
11	106578X		BRAKE LT
12	124293X		BELT.MOWER.79.75
13	124208X		MANDREL ASS'Y
14	73680400		SUB= 73690400
15	121787X		SUB= 144727
16	72140404		BOLT
17	100668L		SUPPORT PLATE LT
18	17490614		SCREW
19	126338X		"BLADE.36""HIGH LIF"
20	74610624		BOLT.3/8-24X1-1/2
21	10030600		SUB= 10040600
22	19132012		WASHER
23	17490620		SCREW
24	72140505		BOLT
25	73680500		SUB= 73690500
26	72110608		BOLT D
27	123439X		"GUIDE,REAR BEL RH"
28	122051X		"SUPT,IDLER ARM"
29	123673X		GUIDE BELT LH
30	122052X		SPACER RETAINER

# MOWER LIFT LEVER



Ref #	Part Number	Qty	Description
1	2751R		CLIP T
2	122018X		BRKT CLUTCH
3	74780408		BOLT
4	73680600		SUB= 73690600
5	123417X		CLUTCH LEVER AS
6	106451X		"BOLT, SHOULDER LT"
7	123491X		CLUTCH ARM ASS'Y
8	74760636		BOLT
9	121930X		"BELLCRANK,LIFT"
10	76020312		SUB= 3145
11	19131316		WASHER
12	122027X		GRIP HANDLE
13	122741X		LIFT HANDLE ASS'Y
14	123496X		SPRING COMPRESSIO
15	19131212		WASHER T
16	76020412		COTTER PIN
17	123654X		LINK FRT LIFT
18	7078J		SUB= 142028
19	73350600		NUT
20	74760644		BOLT
21	17490508		SCREW LT
22	121929X		"BRKT,MOWER HGT"
23	76020416		PIN COTTER 1/8
24	19171616		WASHER
25	121933X		TUBE SPACER
26	121934X		"ROD,MOWER LIFT "
27	19131316		WASHER
28	4921R		SUB= 4921H
29	121466X		KNOB
30	123671X		"LINK,MOWER LIFT"
31	73680400		SUB= 73690400

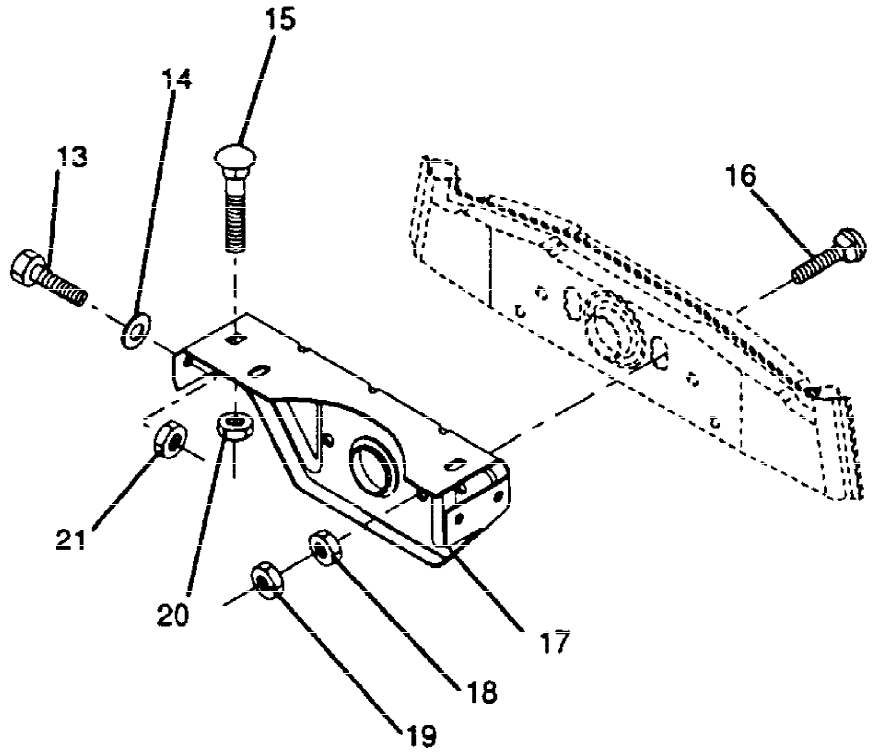
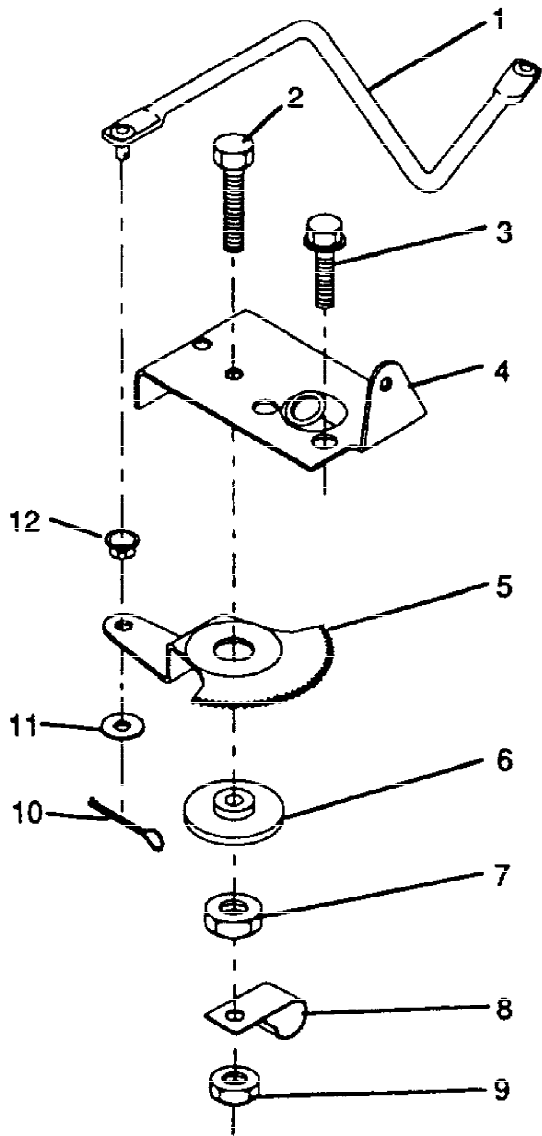
# SEAT



Ref #	Part Number	Qty	Description
1	72170410		BOLT
2	121076X		SUB= 140119
3	74641008		SUB= 71031008
4	73680500		SUB= 73690500
5	105529X		SUB= 139888
6	4171R		CLIP T
7	73951000		"NUT,KEPS"
8	74760612		SUB= 74780612
9	2751R		CLIP T
10	105513X		SUB= 140551
11	19131210		WASHER
12	73680600		SUB= 73690600
13	121144X		SUB= 127018X
14	120068X		"KNOB 1/2" YT"
15	19171912		WASHER
16	121251X		STRIP FORM
17	123976X		SUB= 73900400
18	121248X		BUSHING
19	121250X		SPRING
20	121249X		SPACER SPLIT
21	121246X		BRKT SWITCH
22	121247X		SUB= 155925

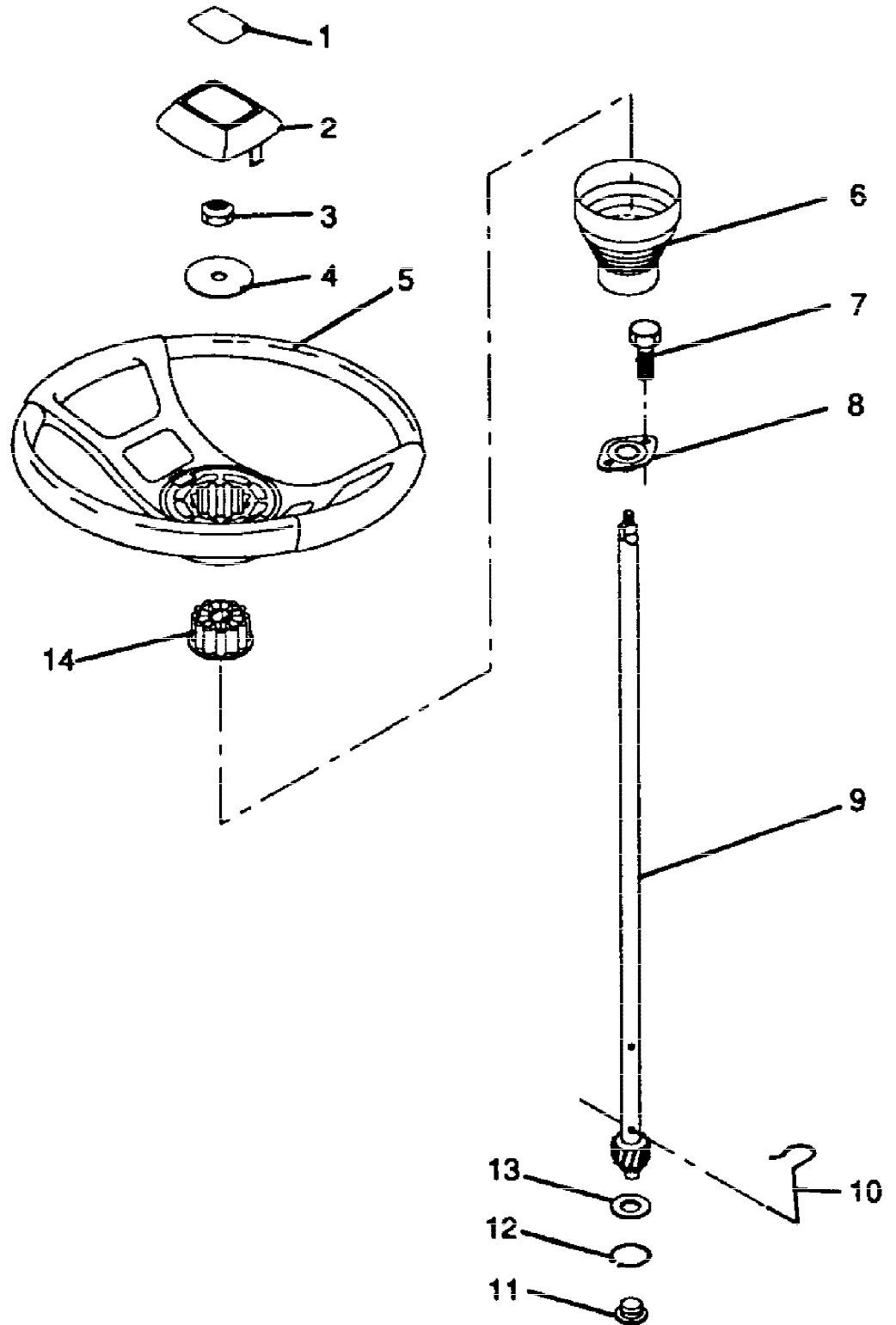


# SECTOR GEAR / AXLE SUPPORT



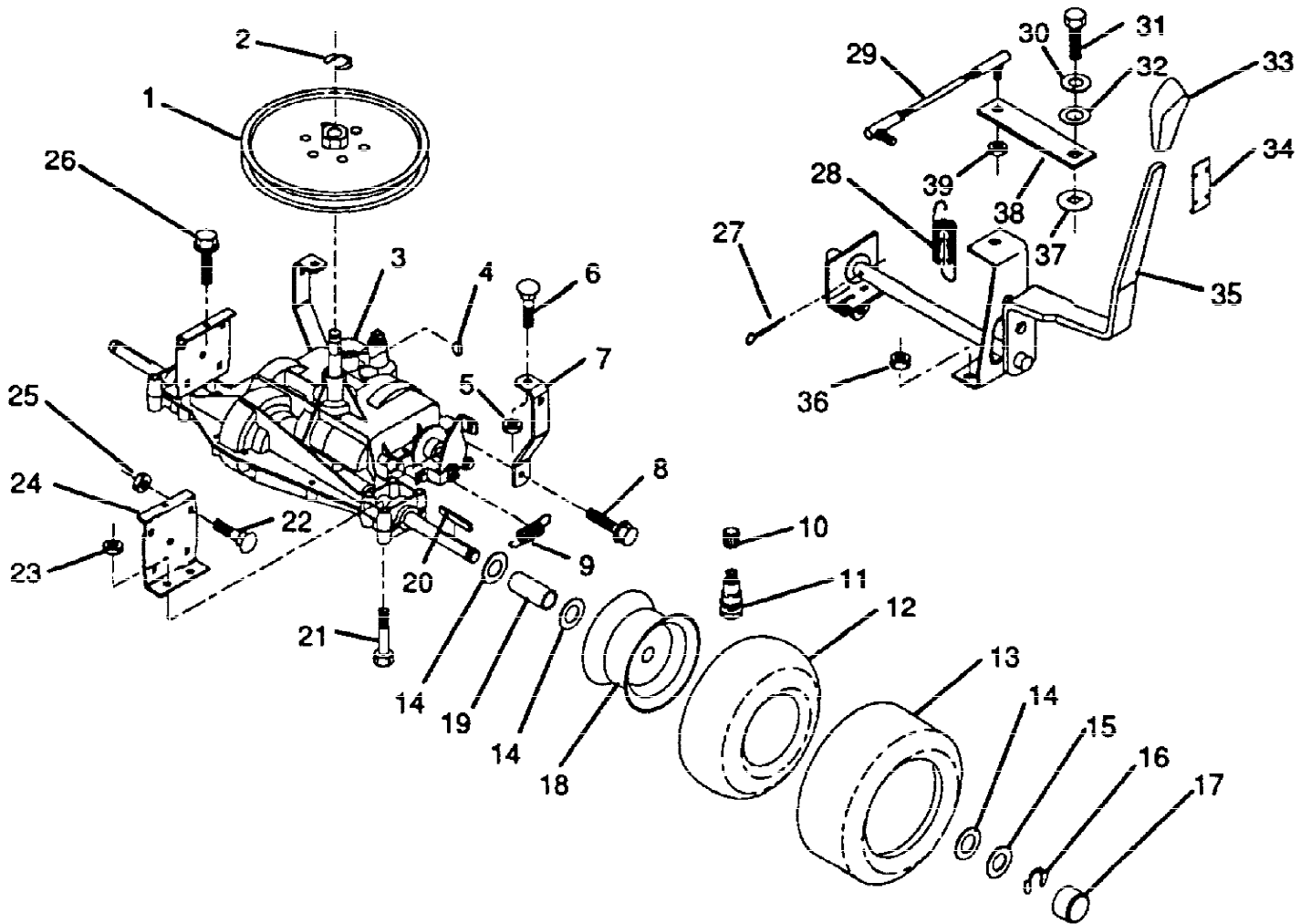
Ref #	Part Number	Qty	Description
1	124093X		SUB= 132566
2	74780828		"BOLT,HEX"
3	17490508		SCREW LT
4	121925X		"PLATE,STR SUPT"
5	121926X		GEAR SECTOR
6	121927X		BUSHING
7	73030800		NUT
8	123434X		CLIP WIRE
9	73680800		NUT LTV
10	76020412		COTTER PIN
11	19131316		WASHER
12	120754X		SUB= 126847X
13	74760512		BOLT
14	19111416		WASHER
15	72110606		BOLT
16	72140622		BOLT
17	121912X		"SUPT,FRT AXLE"
18	73220600		NUT.HEX.3/8-16UNC
19	73930600		LOCKNUT
20	73680600		SUB= 73690600
21	73680500		SUB= 73690500

# STEERING WHEEL



Ref #	Part Number	Qty	Description
1	123690X		NLA
2	100710L		INSERT-WHEEL LT
3	7810H		GRIPCO NUT
4	19133808		WASHER T
5	100713N		SUB= 150547
6	121897X		SLEEVE STEERING
7	17431008		SUB= 98000165
8	102803X		SUB= 918102803X
9	123651X		SUB= 148966
10	124210X		STEERING CLIP
11	123438X		BUSHING STEER LWR
12	12000045		RING
13	19211616		WASHER LT
14	104820X		ADAPTER-WHEEL LT

# TRANSAXLE



Ref #	Part Number	Qty	Description
1	123385X		PULLEY
2	12000028		SUB= 2267J
3	123483X		SUB= 160851
4	2228M		SUB= 2228M1
5	73680500		SUB= 73690500
6	72140506		BOLT
7	123378X		"STRAP,TORQUE"
8	17490508		SCREW LT
9	110442X		SUB= 146682
10	59192		VALVE CAP
11	65139		VALVE STEM LT
12	8134H		TUBE.16X6.5/7.5-8
13	123411X		TIRE.16X7.5-8
14	121749X		WASHER
15	121748X		WASHER
16	12000001		E-RING LT
17	104757X		HUB CAP
18	123412X361		RIM
19	123409X		SPACER
20	123583X		SQUARE KEY
21	74760644		BOLT
22	72140506		BOLT
23	73680600		SUB= 73690600
24	123377X		"BRKT,TRANSAXLE"
25	73680500		SUB= 73690500
26	17490512		SCREW
27	76020416		PIN COTTER 1/8
28	123393X		EXT SPRING
29	123632X		"LINK,SHIFT"
30	10040400		LOCKWASHER
31	71040412		SUB= 74550412
32	19091210		WASHER LT
33	122011X		"KNOB,SHT CONTROL"
34	123692X		KNOB RETAINER
35	123388X		SUB= 125976X
36	73510500		NUT
37	105701X		WASH-SHFT PLT LT
38	123484X		ARM SHIFT
39	73810500		NUT.LOCK.5/16-24