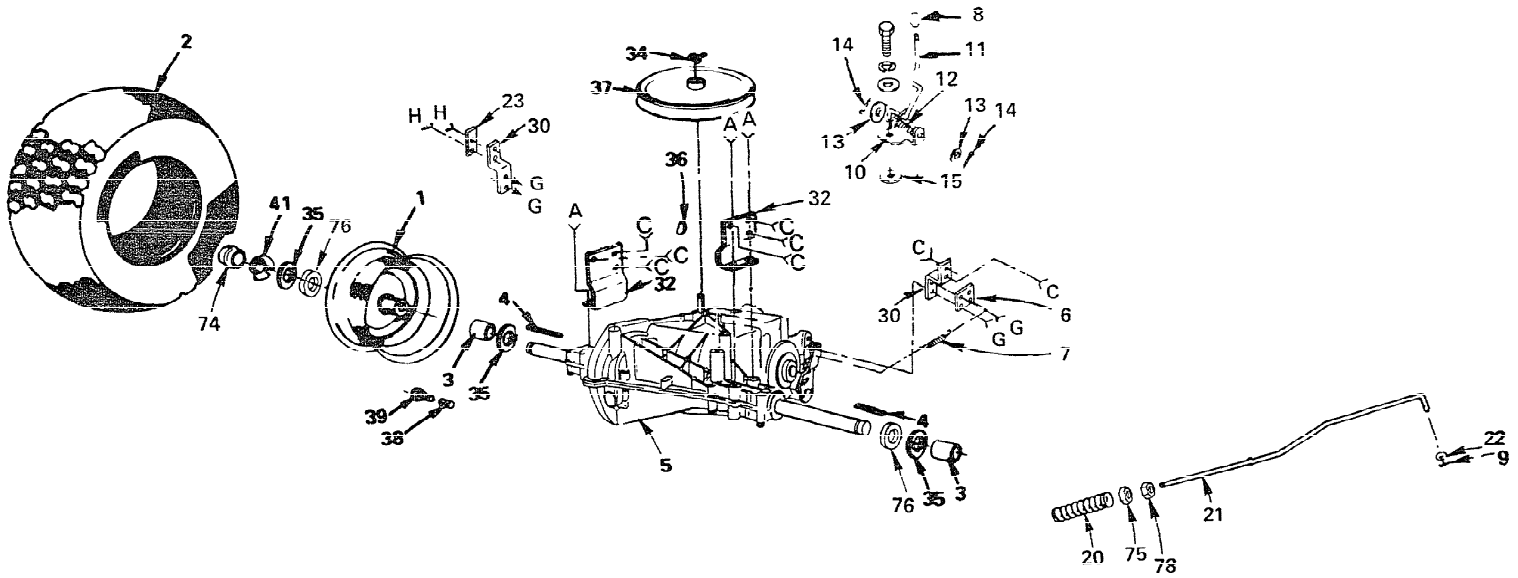


ROPER YT 14 TRACTOR--MODEL NUMBER YT140BR

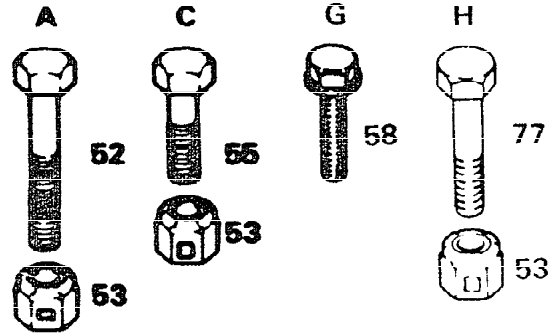
TRANSAXLE AND REAR WHEEL



Ref #	Part Number	Qty	Description
1	106108X		SUB= 106108X417
2	106268X		SUB= 122074X
	7152J		TUBE.18X9.5-8
3	109502X		SPACER LT
4	2703J		SUB= 123583X
5	110046X		SUB= 120900X
6	106320X		BRACKET-SPRING LT
7	106319X		SPRING-EXT LT
8	106933X		KNOB T (1/2-HOLE)
9	76020412		COTTER PIN
10	106919X		PLATE SHIFT LT
11	105699X		SUB= 110458X
12	105700X		SPRING LT
13	19151216		WASHER
14	76020416		PIN COTTER 1/8
15	105701X		WASH-SHFT PLT LT
16	19091210		WASHER LT
17	71040412		SUB= 74550412
18	10040400		LOCKWASHER
20	106888X		SPRING ROD LT
21	105752X		SUB= 110437X
22	19131316		WASHER
23	106157X		PLATE-STRAP LT
30	105842X		"STRAP, TORQUE LT"
32	109167X		BRACKET LT
34	12000028		SUB= 2267J
35	19252016		SUB= 121749X
36	2228M		SUB= 2228M1
37	106192X		SUB= 125479X
38	59192		VALVE CAP
39	65139		VALVE STEM LT
41	12000001		E-RING LT
74	104757X		HUB CAP
75	73680600		SUB= 73690600
76	19252616		SUB= 121748X
78	73350600		NUT

ROPER YT 14 TRACTOR--MODEL NUMBER YT140BR

TRANSAXLE AND REAR WHEEL



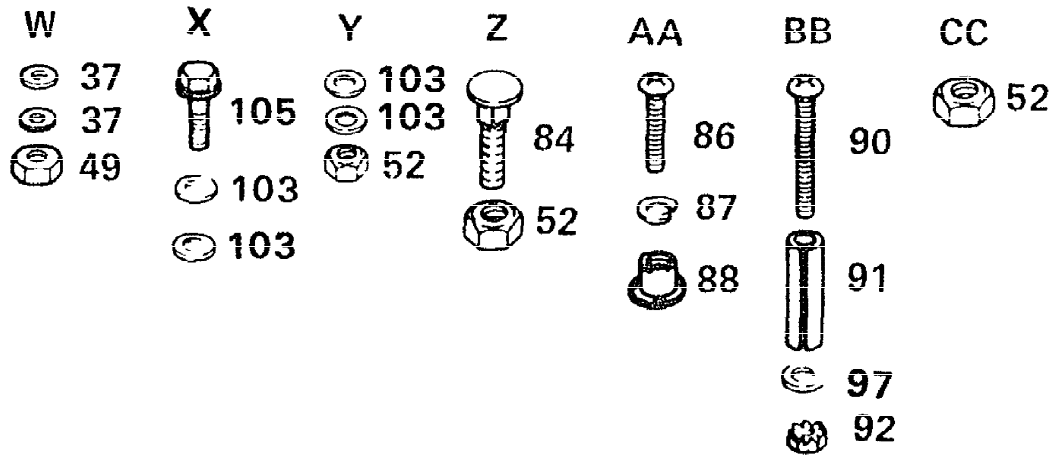
Ref #	Part Number	Qty	Description
52	74760644		BOLT
53	73680600		SUB= 73690600
55	74760612		SUB= 74780612
58	17490512		SCREW
77	74760616		BOLT

Ref #	Part Number	Qty	Description
2	108677X		NLA
3	108372X367		SUB= 150302X505
4	108676X		DECAL-DASH
5	108679X		DASHBOARD T
6	104805X		LOWER DASH
7	108456X		SUB= 138955
9	106965X		SUB= 140181
10	104904X		NLA
11	109548X		FOAM-STRIP
12	104643X		NLA
13	106784X		SUB= 155013
14	104618X		SUB= 155013
15	108370X367		SUB= 150301X505
16	104613X		SUB= 147717
17	106395X		LENS LT
18	104632X		SUPPORT-GRILL LT
19	104628X		GRILL GT
20	104634X367		SUB= 105419X388
21	104633X		NLA
22	104644X		NLA
24	108371X367		SUB= 140679X505
25	108398X		PANEL-DASH
26	105464X367		SUB= 145243X505
27	109512X		CHASSIS T
28	102481X		SUB= 145009
29	104875X		NLA
30	7178J		DECAL-CAUTION
31	106966X		PANEL DASH HYT
32	105465X367		SUB= 145244X428
34	73680500		SUB= 73690500
36	108263X		SUB= 108263X012
37	19091216		WASHER PM
39	1554J		SUB= 155108
40	106202X		REFLECTOR-TAIL YT
42	104810X		NLA
43	110056X		SUB= 110057X
44	105512X		SPRING LT
45	109593X367		NLA
46	4900J		DECAL T
47	8022J		PLUG-DASH T
48	10090400		SUB= 10040400
49	73220400		SUB= 50675
50	74760612		SUB= 74780612
51	19131312		WASHER
52	73680600		SUB= 73690600
53	74760616		BOLT
54	19131316		WASHER
55	17211010		SCREW LT
56	104755X		""J"" FASTENER LT"
57	17490612		SCREW
59	17490512		SCREW
60	7605J		BOLT T
62	73680400		SUB= 73690400

Ref #	Part Number	Qty	Description
63	74760620		SUB= 74780620
64	73510600		NUT
65	17490608		SCREW LT
66	109866X		SEAT PAN T
67	17490612		SCREW
70	10040600		LOCKWASHER
72	17431008		SUB= 98000165
73	74780512		BOLT
74	73510500		NUT
75	105509X		SUB= 137113
76	74350512		BOLT LT
78	17490412		SCREW HEX CRT
79	106974X		SUB= 133796
81	105505X		SUB= 121794X
82	105514X		"CLAMP, SPRING LT"
83	19131212		WASHER T
85	109864X		SUB= 108256X
89	100225L		SUB= 109808X
93	105511X		SUB= 140675
94	109871X		BRKT.ASM.SEAT.P
95	105529X		SUB= 139888
96	105531X		NUT-PUSH YT
98	105813X		SUB= 146046
99	104919X		SUB= 109740X
100	104920X		NLA
101	104646X		NLA
102	109867X		SPRING T
104	109641X		GROMMET T
106	10090400		SUB= 10040400
107	9151R		SNAP BUSHING T
108	109459X		STRIP - FOAM

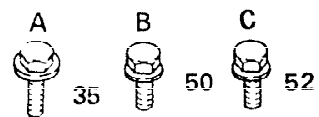
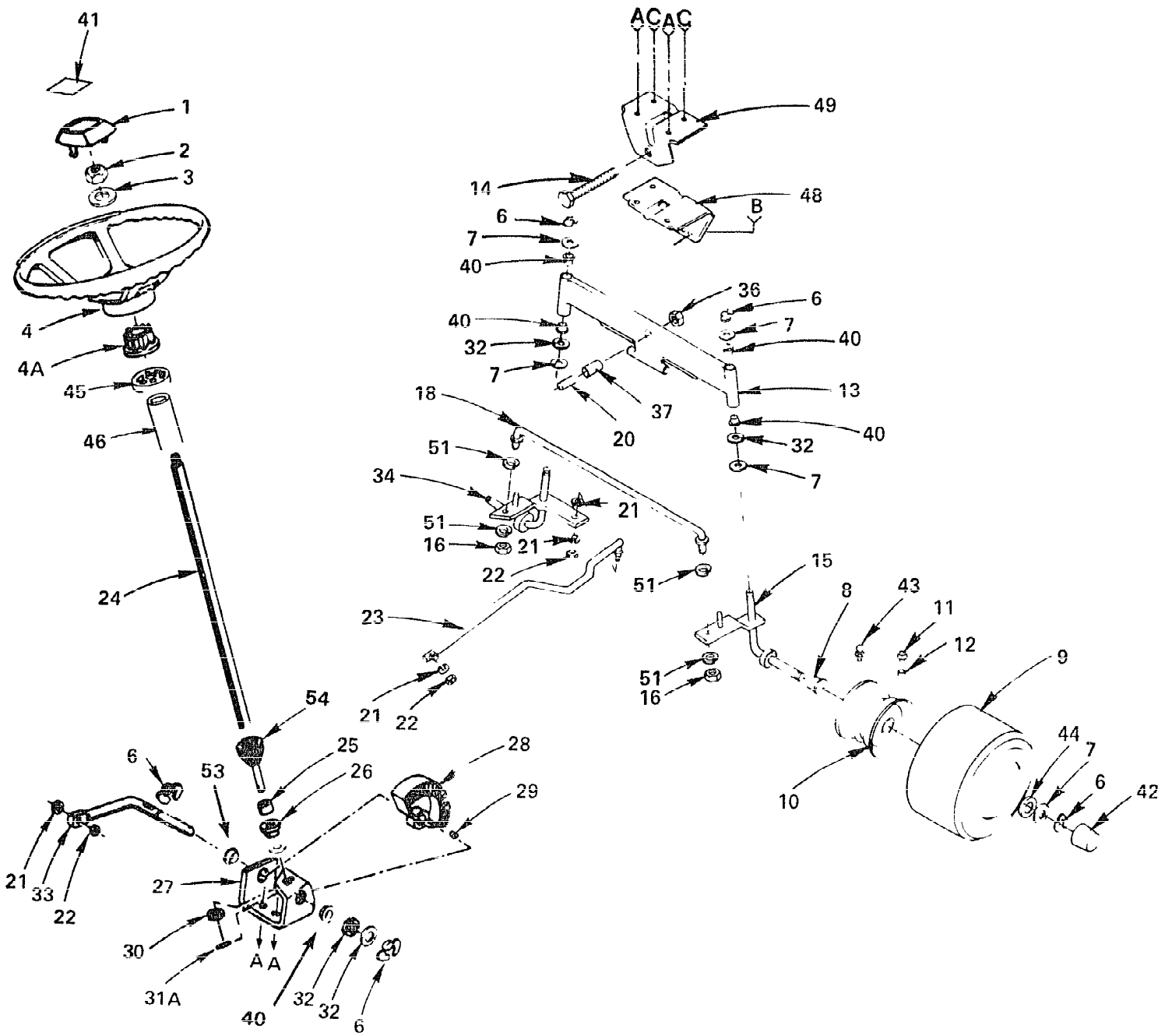
ROPER YT 14 TRACTOR--MODEL NUMBER YT140BR

ENCLOSURES



Ref #	Part Number	Qty	Description
37	19091216		WASHER PM
49	73220400		SUB= 50675
52	73680600		SUB= 73690600
84	72140606		BOLT
86	74191008		SCREW
87	10071000		LOCKWASHER
88	2029J		WELDNUT
90	74981020		SCREW
91	7206J		SPACER LT
92	73731000		NUT
97	19070818		WASHER
103	19132012		WASHER
105	17490616		SCREW GTV

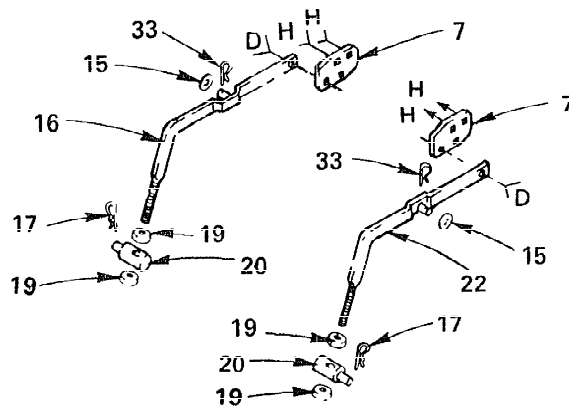
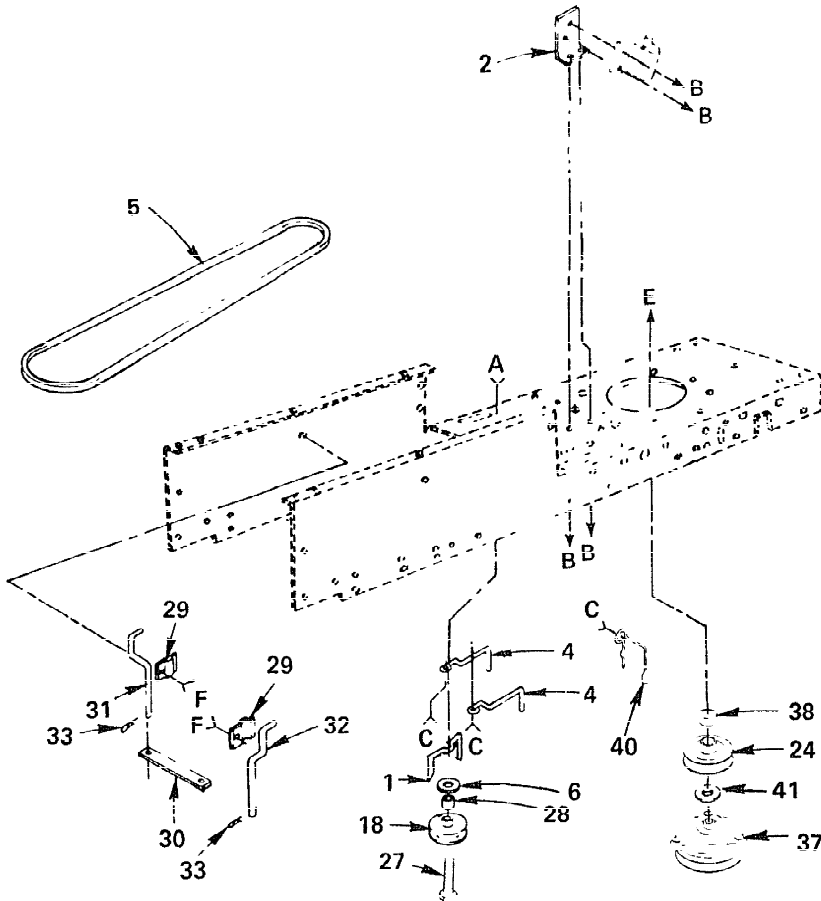
ROPER YT 14 TRACTOR--MODEL NUMBER YT140BR AND STEERING, FRONT AXLE AND WHEELS



Ref #	Part Number	Qty	Description
1	100710L		INSERT-WHEEL LT
2	73360800		NUT
3	100712K		WASHER
4	100713N		SUB= 150547
4A	100711L		ADAPTER LT
6	12000029		RING
7	19252016		SUB= 121749X
8	9040H		"FLANGE, BEARING"
9	106222X		SUB= 122073X
	59904		TUBE.5.3/4.5/6
10	106732X		SUB= 106732X417
11	65139		VALVE STEM LT
12	59192		VALVE CAP
13	108075X		FRONT AXLE
14	74761060		BOLT LT
15	105653X		SUB= 130897
16	73610500		NUT
18	108110X		ROD TIE HYT
20	105726X		SUB= 154391
21	10040600		LOCKWASHER
22	73610600		SUB= 7810H
23	105727X		LINK-DRAG LT
24	109557X		STEERING SHAFT T
25	74580		SHAFT SPACER LT
26	71208		BUSHING
27	109432X		SUB= 110150X
28	108684X		GEAR.SECTOR.HYT
29	106126X		KEY-WOODRUFF LT
30	101930X		WASHER YTV
31A	2882J		DRIVE PIN
32	6266H		WASHER .T
33	108683X		ROD STEERING T
34	105655X		SPINDLE LH YT
35	17490612		SCREW
36	73901000		"NUT-LOC,FLANGE LT"
37	105725X		SUB= 110438X
40	3366R		COL. SRTG. BEAR.
41	104590X		DECAL - STEERING WHEEL
42	104757X		HUB CAP
43	278H		FITTING LT
44	19252616		SUB= 121748X
45	106943X		SPACER LT
46	106945X		TUBE YT
48	105664X		SUPPORT.SADDLE.FT
49	105663X		SUPPORT-SADDL T
50			CHECK WITH SUPPLIER
51	10040500		LOCKWASHER
52	17490616		SCREW GTV
53	109816X		NYLINER T
54	108685X		GEAR PINION T

ROPER YT 14 TRACTOR--MODEL NUMBER YT140BR

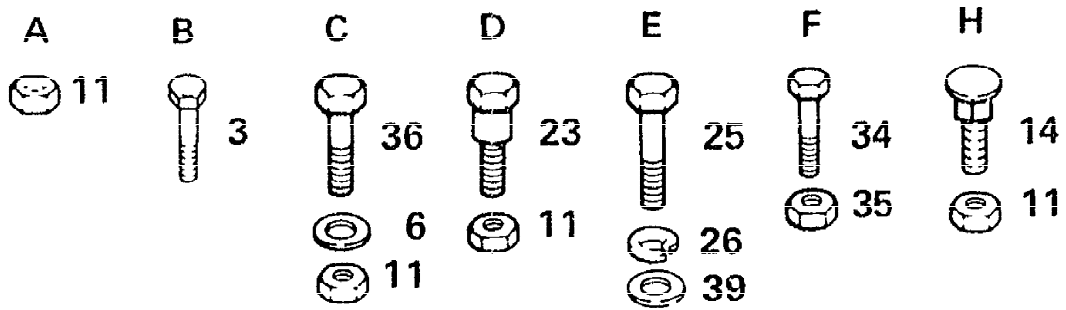
DRIVE GROUP



Ref #	Part Number	Qty	Description
1	109070X		BELT KEEPER LT
2	108236X		BRACKET LT
4	105730X		"KEEPER,BLT ENG LT"
5	105876X		SUB= 125908X
6	19131312		WASHER
7	105864X		"BRACKET, SUSPE T"
15	19171516		WASHER T
16	105863X		SUB= 121599X
17	9135R		SPRING H
18	4859J		SUB= 123674X
19	73220800		NUT
20	106308X		SUB= 130171
21	73680800		NUT LTV
22	105862X		SUB= 121598X
24	108678X		PULLEY ENGINE T
27	74760644		BOLT
28	4470J		SPACER T
29	106190X		CLAMP LT
30	106296X		SUB= 122066X
31	108331X		SUB= 122067X
32	108332X		KEEPER BELT RH
33			CHECK WITH SUPPLIER
37	108218X		SUB= 142600
38	108217X		SPACER HYT
40	109169X		SUB= 109172X
41	19381612		SUB= 19382616

ROPER YT 14 TRACTOR--MODEL NUMBER YT140BR

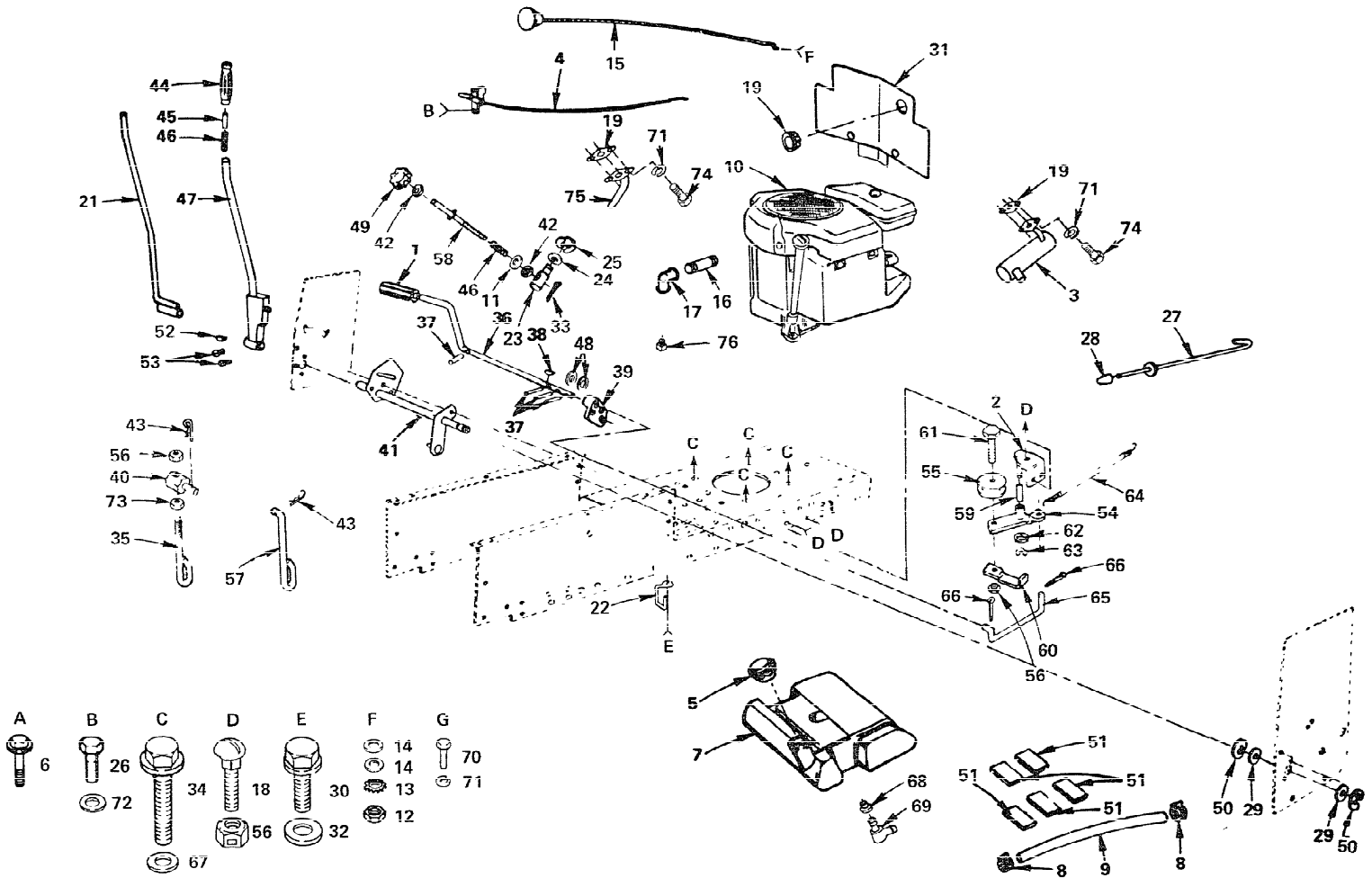
DRIVE GROUP



Ref #	Part Number	Qty	Description
3	17021008		SCREW
6	19131312		WASHER
11	73680600		SUB= 73690600
14	72140606		BOLT
23	105848X		"BOLT, SHOULDER LT"
25	74610764		SUB= 71130768
26	10040700		LOCKWASHER
34	74760512		BOLT
35	73680500		SUB= 73690500
36	74760616		BOLT
38	108217X		SPACER HYT

ROPER YT 14 TRACTOR--MODEL NUMBER YT140BR

POWER & MECHANICAL CONTROLS GROUP

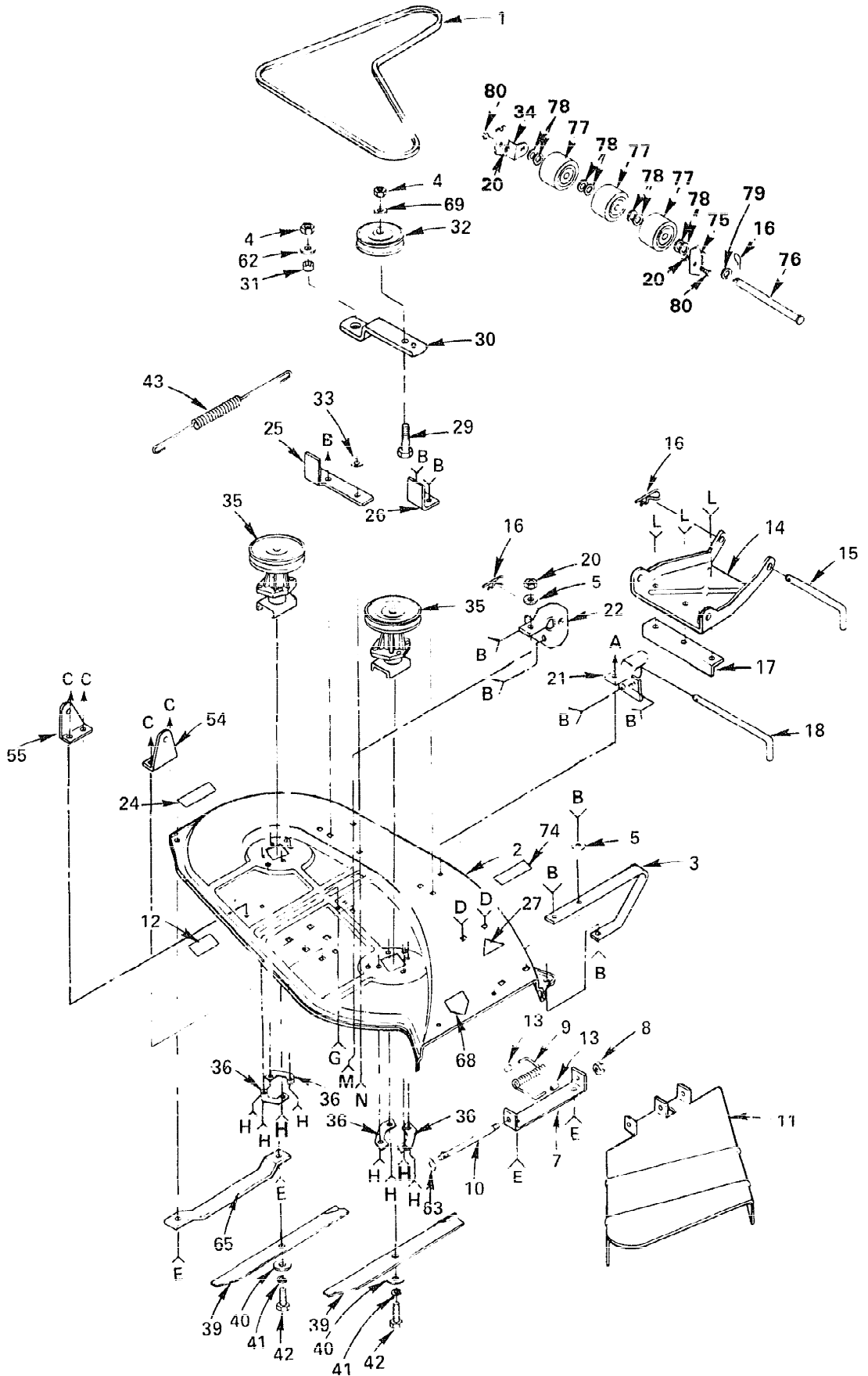


Ref #	Part Number	Qty	Description
1	8883R		PEDAL COVER T
2	105724X		SUB= 123102X
3	108373X		MUFFLER HYT
4	104870X		THROTTLE CONTROL
5	109462X		SUB= 158990
6	17020806		SCREW
7	106020X		SUB= 151346
8	6999R		SUB= 123487X
9	5277J		SUB= 8543R
10			CHECK WITH SUPPLIER
10	400707		ENGINE
11	19131016		WASHER
12	73610600		SUB= 7810H
13	11050600		LOCKWASHER
14	19131316		WASHER
15	109457X		SUB= 132778
16	13280336		PIPE NIPPLE LT
17	13200300		ELBOW
18	72140606		BOLT
19	8545J		SUB= 272250
21	104598X		ROD ASSY-LEVER LT
22	104777X		SUB= 140312
23	101272K		TRUNION LT
24	19151216		WASHER
25	12000037		KLIP RING
26	17720408		SCREW
27	105844X		SUB= 125637X
28	71673		PLUNGER CAP T
29	19292016		WASHER
30	17490612		SCREW
31	104917X		BAFFLE YT
32	19131312		WASHER
33	76020308		SUB= 3145
34	17490624		SCREW LT
35	105855X		LINK LIFT LT
36	109037X		FOOT SHAFT PEDAL
37	1572H		SUB= 2882J
38	2228M		SUB= 2228M1
39	106918X		ARM BRAKE LT
40	106204X		SUB= 132793
41	109990X		SHAFT T
42	73350600		NUT
43	4939M		SUB= 85902
44	109413X		GRIP
45	105723X		SUB= 125925X
46	2876H		SPRING T
47	104597X		LEVER ASSY LT
48	19252016		SUB= 121749X
49	100734K		SUB= 138057
50	12000029		RING
51	6431J		PAD-SPACER T
52	8330H		KEY STD
53	23180606		SCREW

Ref #	Part Number	Qty	Description
54	105705X		SUB= 125829X
55	106298X		SUB= 139245
56	73680600		SUB= 73690600
57	110029X		LIFT LINK LT
58	100735K		ROD ADJUST LT
59	105706X		"LY, BEARING"
60	106499X		SUB= 123205X
61	74760624		SUB= 74930624
62	207J		WASHER T
63	12000039		KLIP RING
64	105709X		"SPRING, RETURN LT"
65	105710X		"LINK, CLUTCH T"
66	76020412		COTTER PIN
67	19131210		WASHER
68	3645J		BUSHING OUTLET T
69	8710J		FUEL TANK STEM GT
70	74780408		BOLT
71	10040400		LOCKWASHER
72	19091016		WASHER
73	73220600		NUT.HEX.3/8-16UNC
74	74780412		SUB= 74780414
75	100229L		EXHAUST TUBE T
76	91084		PLUG OIL DRAIN
	677A936		SPARK ARRESTOR KIT

ROPER YT 14 TRACTOR--MODEL NUMBER YT140BR

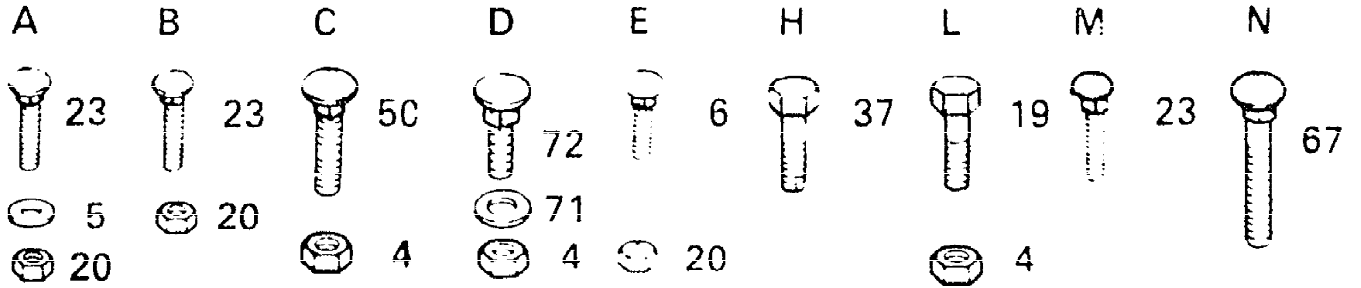
38" MOWER



Ref #	Part Number	Qty	Description
1	106085X		BELT-V.79.1.MWR
2	108671X		SUB= 144726
3	8417J		SUB= 128772
4	73680600		SUB= 73690600
5	19111216		WASHER M
7	105896X		SUB= 137607
8	5846R		SUB= 110452X
9	106734X		SUB= 123713X
10	106735X		ROD-HINGE T
11	106736X		DEFLECTOR-SHLD T
12	108682X		NLA
13	105304X		CAP-SLEEVE LT
14	105662X		LINK.PARALLEL
15	105744X		"ROD, FRT. PARAL T"
16	4921H		SPRING.RETAINER
17	105872X		LINK STOP
18	109835X		HINGE PIN T
20	73680500		SUB= 73690500
21	109598X		BRACKET RH LT
22	109597X		BRACKET LH T
24	3713J		DECAL INSTRUCTION CAUTION
25	109503X		SUPPORT ARM T
26	109504X		STOP T
27	106975X		DECAL - SAFETY STANDARD
29	74760632		SUB= 74930632
30	108674X		SUB= 127162X
31	106902X		SPACER RETAINER
32	102403X		IDLER-FLAT T
33	106513X		"WASHER, WEAR LT"
34	109646X		BRACKET LH T
35	105891X		SUB= 121687X
36	100668L		SUPPORT PLATE LT
39	106634X		SUB= 25036
40	19132012		WASHER
41	10030600		SUB= 10040600
42	74610624		BOLT.3/8-24X1-1/2
43	102727X		"SPRING.EXT.8.5""
54	105857X		"BRKT,SUSP RH T"
55	108673X		"BRKT,SUSP REAR LH"
62	106514X		SUB= 106902X
63	19111016		WASHER
65	7631J		RUNNER-LH M
68	78850		SUB= 85463
69	19131316		WASHER
74	106679X		DECAL.WARNING.T
75	109647X		BRACKET RH T
76	109776X		PIVOT PIN T
77	109729X		ROLLER T
78	19151610		WASHER T
79	19151616		SUB= 19171616
80	74760512		BOLT

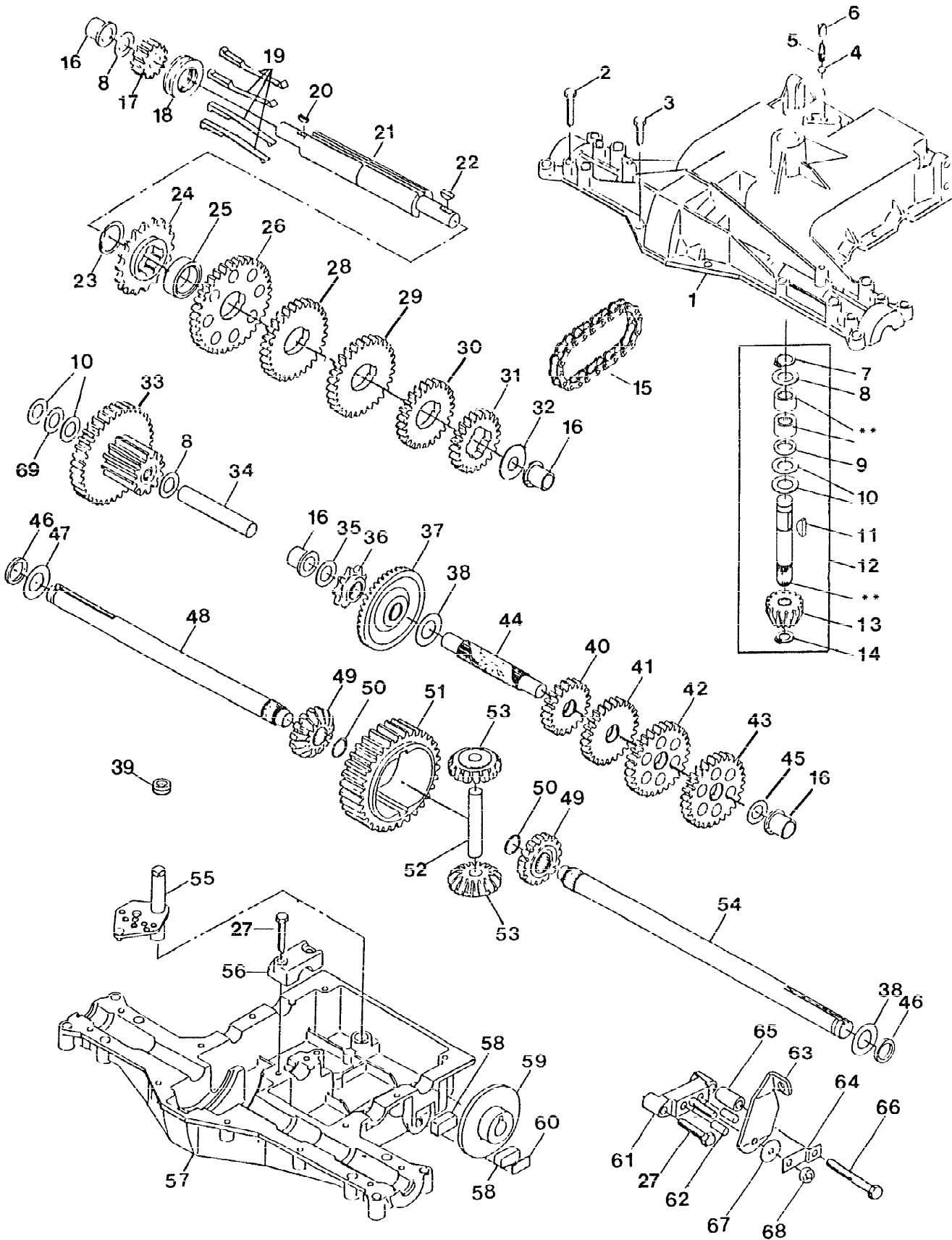
ROPER YT 14 TRACTOR--MODEL NUMBER YT140BR

38" MOWER



Ref #	Part Number	Qty	Description
4	73680600		SUB= 73690600
5	19111216		WASHER M
6	72140505		BOLT
19	74760612		SUB= 74780612
20	73680500		SUB= 73690500
23	72140506		BOLT
37	17490612		SCREW
50	72140606		BOLT
67	72140610		BOLT.3/8-14X1.25
71	19141610		WASHER
72	72110606		BOLT

**ROPER YT 14 TRACTOR--MODEL NUMBER YT140BR
TRANSAXLE--MODEL NUMBER 4150-44**

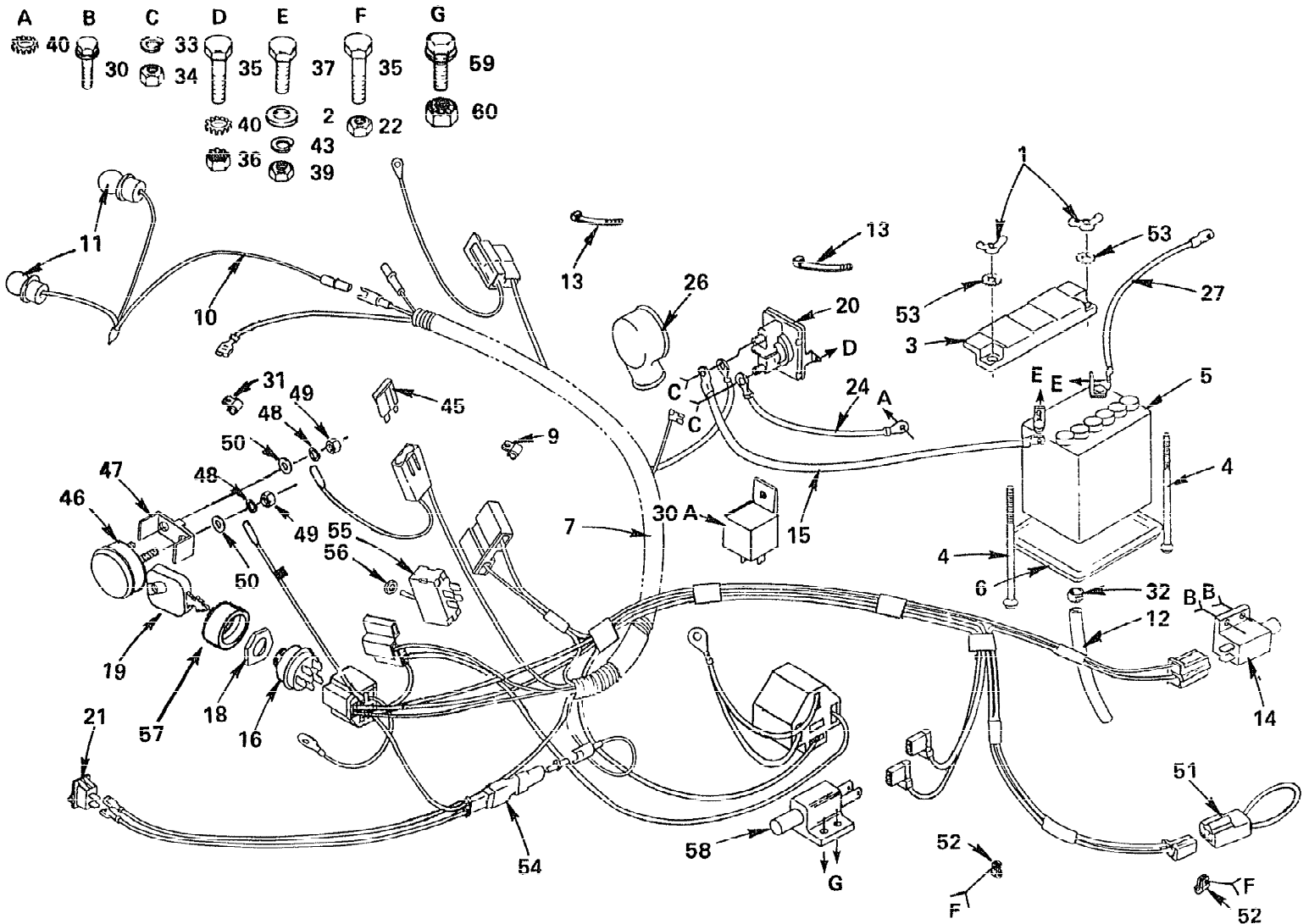


Ref #	Part Number	Qty	Description
1	3655-B		HOUSING, UPPER
2	1360		SCREW 1/4-20 X 1.31
3	3396		SCREW 1/4-20 X .875
4	1151		BALL DETENT
5	3626		SPRING, DETENT
6	3623		SCREW, SET
7	1099		RING RETAINING
8	1441		WASHER PLAIN
8	1423		WASHER, PLAIN .632 X 1.00 X .026
8	1082		WASHER PLAIN
8	1424		WASHER PLAIN
8	1068		WASHER PLAIN
8	1425		WASHER PLAIN
8	1358		WASHER PLAIN
8	1145		WASHER, PLAIN .632 X 1.00 X .060
8	1319		WASHER PLAIN
9	3312		O-RING
10	1425		WASHER PLAIN
11	1374		KEY WOODRUFF #9
12	4171		ASSY KIT INPUT SHAFT
13	3725		PINION BEVEL 14 TEETH
14	3624		RING, RETAINING
15	3625		CHAIN, 24 PITCHES
16	1542		BEARING, FLANGE
17	3709		GEAR, SPUR 14T
18	3631		COLLAR CLUTCH
19	3676		KEY, CLUTCH
20	1369		KEY WOODRUFF #3
21	3739		SHAFT, INTERMEDIATE
22	1375		KEY, WOODRUFF, #61
23	3627		RING, RETAINING
24	3640		SPROCKET, 18T
25	3841		SPACER
26	3787		GEAR, SPUR 40T
27	3724		SCREW TAPPING
28	3785		GEAR, SPUR, 35 TEETH
29	3784		GEAR, SPUR 30T
30	3783		GEAR, SPUR, 25 TEETH
31	3741		GEAR SPUR
32	3628		WASHER, PLAIN .640 X 1.37 X .061
33	4193		ASSY, GEAR, COMB., 12T & 35T
34	3658		SHAFT, IDLER
35	1959		WASHER PLAIN
36	3645		SPROCKET, 9 TEETH
37			CHECK WITH SUPPLIER
38	3749		WASHER PLAIN
38	3652		WASHER PLAIN
38	3693		WASHER PLAIN
38	3653		WASHER PLAIN
38	3408		WASHER PLAIN
38	3732		WASHER PLAIN
38	3184		WASHER, PLAIN .758 X 1.25 X .031
38	3733		WASHER PLAIN

Ref #	Part Number	Qty	Description
38	3198		WASHER PLAIN
38	3734		WASHER PLAIN
38	3735		WASHER PLAIN
38	3736		WASHER PLAIN
38	3180		WASHER PLAIN
39	3789		V-RING
40	3707		GEAR SPUR, 15 TEETH
41	3637		GEAR, SPUR 20T
42	3719		GEAR, SPUR, 25 TEETH
43	3683		GEAR, SPUR, 31 TEETH
44	3713		SHAFT, DRIVE
45	1145		WASHER, PLAIN .632 X 1.00 X .060
46	3191		SEAL FELT
47	3184		WASHER, PLAIN .758 X 1.25 X .031
48	3666		AXLE
49	3727		GEAR, MITER 15T
50	3656		RING, RETAINING
51	3839		GEAR, SPUR, 32 TEETH
52	3840		SHAFT, CROSS
53	3726		GEAR, MITER, 15 TEETH
54	3667		AXLE
55	4216		ASSY, SHIFTER & SEAL
56	3775		CAP, SUPPORT
57	3654-B		HOUSING, LOWER
58	3757		PUCK, FRICTION
59	3276		DISC, BRAKE
60	3758		SPACER
61	4282		ASSY, JAW, BRAKE
62	3754		PIN, DOWEL
63	3768		LEVER, ACTUATING
64	3842		BRKT, ANTI-ROTATION
65	3752		SPACER
66	3771		SCREW 5/16-18 X 2.50
67	3760		WASHER, PLAIN .321 X 1.00 X .055
68	3847		LOCKNUT 5/16-24
69	3422		SPACER .630 X 1.00 X .169

ROPER YT 14 TRACTOR--MODEL NUMBER YT140BR

ELECTRICAL



Ref #	Part Number	Qty	Description
1	73490400		SUB= 146525
2	19091016		WASHER
3	102476X		SUB= 150109
4	72240460		BOLT
5	227J		SUB= 123899X
6	7603J		"TRAY T, BATTERY"
7	109440X		NLA
9	4171R		CLIP T
10	7661J		HARNESS T
11	7662J		SUB= 4152J
12	100541K		SUB= 7697J
13	7192J		WIRE TIE
14	104445X		SWITCH-INTER. GT
15	4206J		CABLE-BATTERY T
16	4406R		SUB= STD365402
18	109788X		SUB= 124211X
19	109434X		KEY MOLDED
20	109081X		SUB= 146154
21	105381X		SUB= 110712X
22	73680400		SUB= 73690400
24	4208J		SUB= 4799J
26	719J		SUB= 154336
27	4207J		CABLE T
30	17021008		SCREW
30A	109748X		RELAY ASSY T
31	2751R		CLIP T
32	109596X		HOSE CLAMP T
33	10090400		SUB= 10040400
34	73350400		NUT
35	74780408		BOLT
36	73510400		NUT
37			CHECK WITH SUPPLIER
39	73220400		SUB= 50675
40	11050400		LOCKWASHER
43	10040400		LOCKWASHER
45	108824X		FUSE HYT
46	9433R		AMMETER T
47	6009J		SUB= 532131708
48	10101000		SUB= 10071000
49	73911000		NUT
50	19070818		WASHER
51	102501X		SUB= 141940
52	235R		CLIPT
53	11030400		LOCKWASHER GT
54	106315X		SUB= 135665
55	4021J		SWITCH.PTO.T
56	4022J		HEX NUT T
57	109787X		SUB= 147626
58	109869X		SWITCH T
59	71031008		SCREW
60	73951000		"NUT,KEPS"
	101539X		SHEET INSTR LT
	109628X		NLA