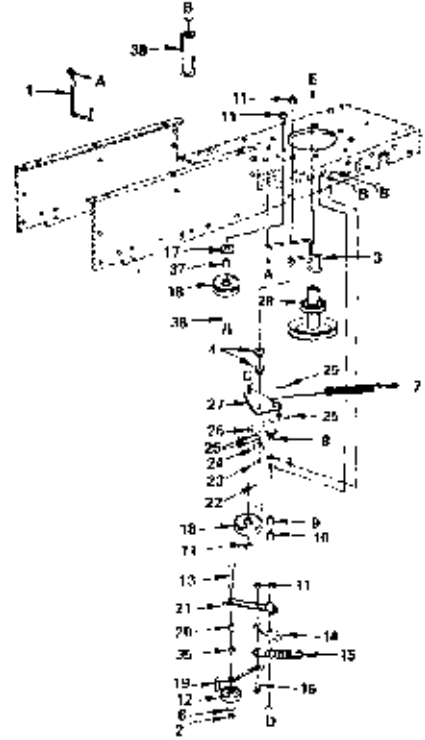


DRIVE GROUP

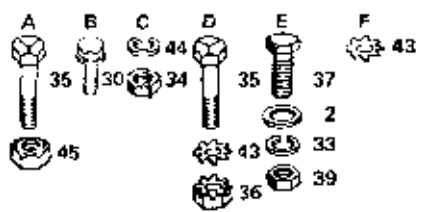
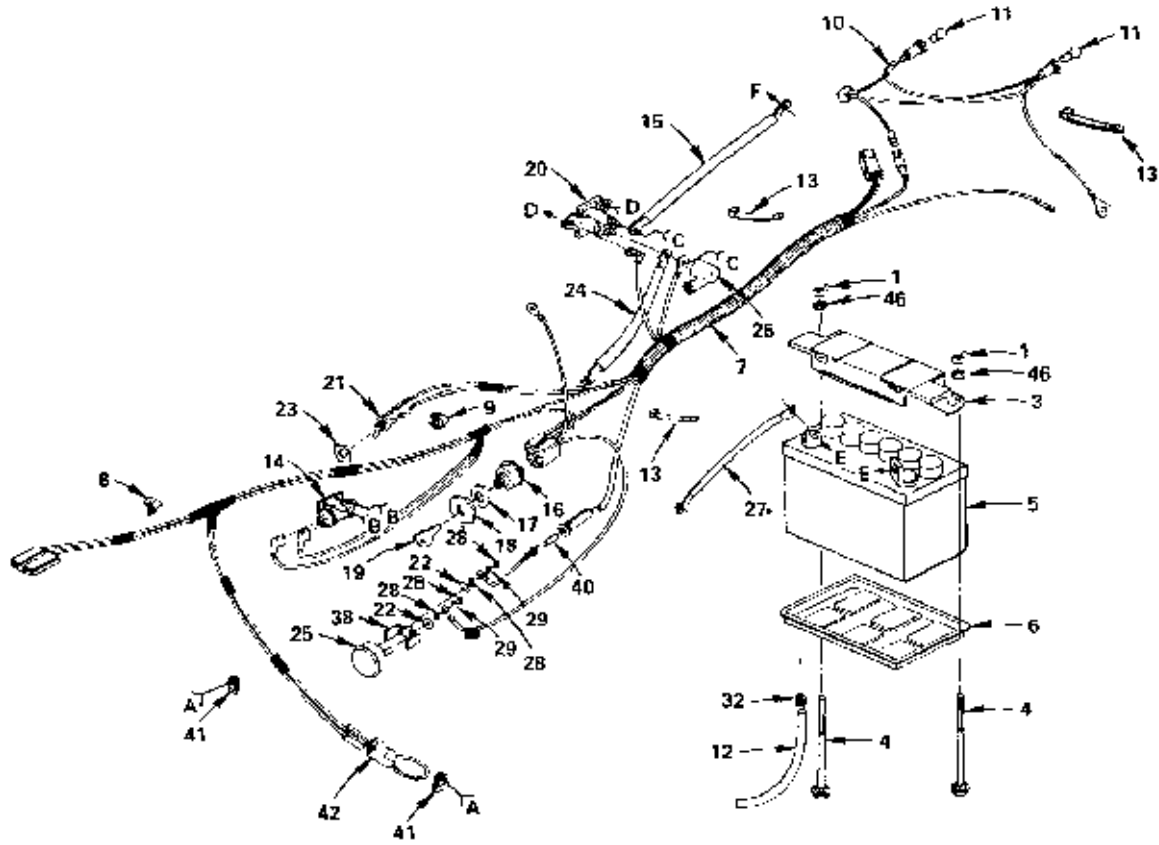
ROPER YT 16 TRACTOR--MODEL NUMBER YT160BR



Ref #	Part Number	Qty.	Description
1	100697C		NLA
2	73850600		NLA
3	100505C		GUIDE BELT PLY LT
4	102975X		NLA
6	19131316		WASHER
7	100640L		SPRING CLUTCH LT
8	72140620		BOLT
9	7835J		SUB= 674A308
10	7834J		SUB= 674A308
11	73680600		SUB= 73690600
12	102932X		IDLER.FLAT.GTV
13	74930644		BOLT
14	100837L		NLA
15	101383X		SPRING EXT LT
16	72240606		BOLT
17	19132012		WASHER
18	3926J		IDLER-FLAT LT
19	100681K		NLA
20	100682K		SUB= 4470J
21	100679L		ARM IDLER ASSY LT
22	74760656		BOLT
23	100677L		BRACKET SUPT LT
24	101278K		SPACER LT
25	76020412		COTTER PIN
26	105374X		NLA
27	105373X		NLA
28	100613N		SUB= 136006
29	74760616		BOLT
30	19131312		WASHER
31	17490612		SCREW
32	72140612		BOLT
33	74770720		SUB= 71130720
34	10040700		LOCKWASHER
35	73220600		NUT.HEX.3/8-16UNC
36	74760644		BOLT
37	101279K		SPACER SPLIT LTV
38	104777X		SUB= 140312

ROPER YT 16 TRACTOR--MODEL NUMBER YT160BR

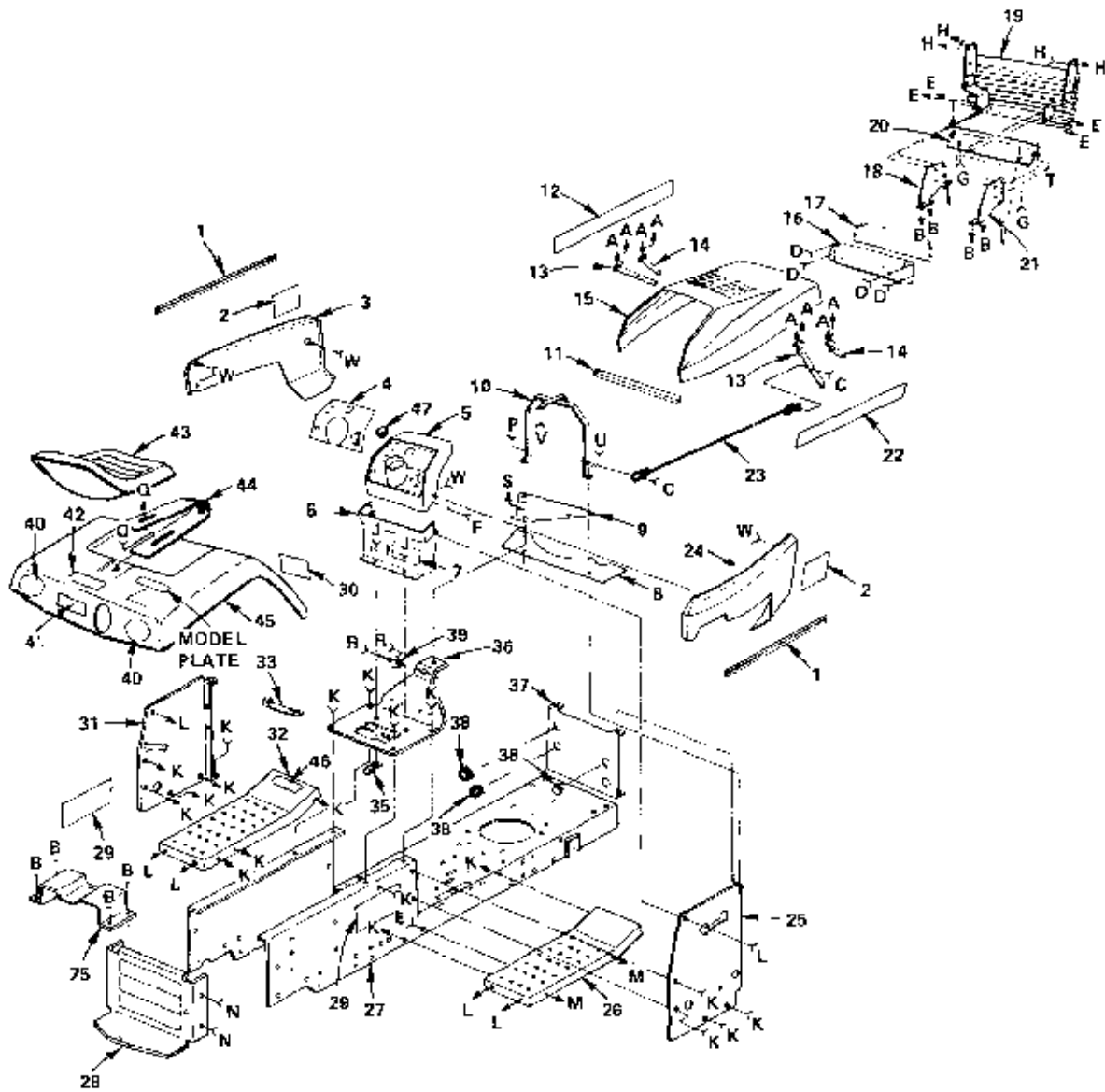
ELECTRICAL



Ref #	Part Number	Qty.	Description
1	73490400		SUB= 146525
2	19091016		WASHER
3	102476X		SUB= 150109
4	72240460		BOLT
5	227J		SUB= 123899X
6	7603J		"TRAY T, BATTERY"
7	105301X		NLA
8	100207K		CLIP GTV
9	4171R		CLIP T
10	7661J		HARNESS T
11	4152J		HEADLAMP BULB
12	100656K		SUB= 7697J
13	7192J		WIRE TIE
14	7755R		SWITCH T
15	4208J		SUB= 4799J
16	4406R		SUB= STD365402
17	11151000		LOCKWASHER
18	3258J		CONDUIT NUT L
19	7552H		SUB= STD365410
20	2008J		SUB= 146154
21	4482J		LIGHT SWITCH T
22	6951J		NLA
23	7320R		NUT
24	4206J		CABLE-BATTERY T
25	9433R		AMMETER T
26	719J		SUB= 154336
27	4207J		CABLE T
28	6953J		NLA
29	6952J		SUB= 10071000
30	17541208		NLA
32	6999R		SUB= 123487X
33	10040400		LOCKWASHER
34	73350400		NUT
35	74780408		BOLT
36	73510400		NUT
37	74760412		BOLT LT
38	6009J		SUB= 532131708
39	73220400		SUB= 50675
40	6374R		FUSE-30 AMP
41	235R		CLIPT
42	102501X		SUB= 141940
43	11050400		LOCKWASHER
44	10090400		SUB= 10040400
45	73680400		SUB= 73690400
46	11030400		LOCKWASHER GT
	101539X		SHEET INSTR LT
	104753X		TAG - SOUND RATING
	105984X		OWNER'S MANUAL

ROPER YT 16 TRACTOR--MODEL NUMBER YT160BR

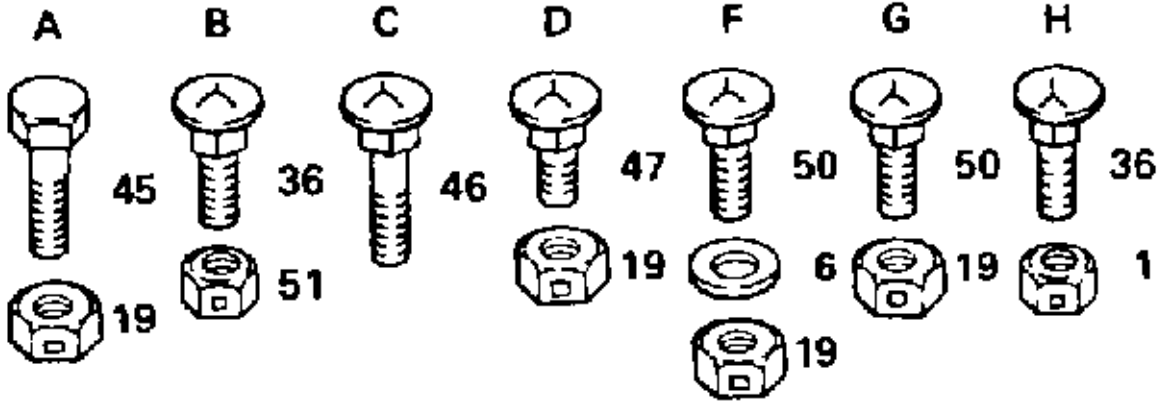
ENCLOSURES



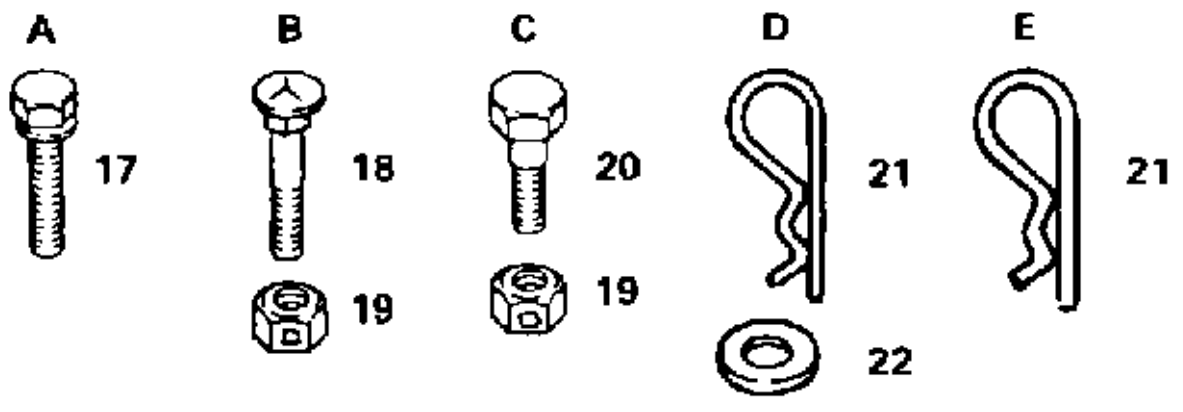
- | A | B | C | D | E | F | G | H | J | K | L | M | N | P | Q | R | S | T |
|---|---|---|---|---|---|---|---|---|---|---|---|---|---|---|---|---|---|
| | | | | | | | | | | | | | | | | | |

Ref #	Part Number	Qty.	Description
1	104646X		NLA
2	104874X		NLA
3	104635X358		SUB= 150302X505
4	104642X		DECAL, DASH
5	104607X		SUB= 106099X
6	104805X		LOWER DASH
7	8497J		DECAL, INSTRUCTION
8	104919X		SUB= 109740X
9	678H564		PLATE, SUPPORT BATTERY
10	104904X		NLA
11	105037X		FOAM-STRIP LT
12	104643X		NLA
13	104624X		STRAP ASSY
14	104618X		SUB= 155013
15	104612X358		SUB= 150301X505
16	104613X		SUB= 147717
17	104617X		SUB= 106395X
18	104632X		SUPPORT-GRILL LT
19	104628X		GRILL GT
20	104634X358		SUB= 105419X388
21	104633X		NLA
22	104644X		NLA
23	104626X		NLA
24	104636X358		SUB= 140679X505
25	101599X		NLA
26	100658N358		FOOTREST
27	102478X		CHASSIS
28	102481X		SUB= 145009
29	104875X		NLA
30	4910J		DECAL-CAUTION
31	102505X		NLA
32	100657N358		NLA
33	7192J		WIRE TIE
34	73680500		SUB= 73690500
35	2751R		CLIP T
36	104780X		NLA
37	104920X		NLA
38	9151R		SNAP BUSHING T
39	1554J		SUB= 155108
40	104637X		NLA
41	7178J		DECAL-CAUTION
42	104810X		NLA
43	2126J		SUB= 140119
44	677H779		SPRING SEAT
45	3606J358		SUB= 121642X417
46	4900J		DECAL T
47	8022J		PLUG-DASH T
48	10090400		SUB= 10040400
49	73220400		SUB= 50675
50	74760612		SUB= 74780612
51	19131312		WASHER
52	73680600		SUB= 73690600
53	74760616		BOLT
54	19131316		WASHER
55	17411310		SUB= 17521312
56	104755X		""J"" FASTENER LT"
57	17490612		SCREW
59	17490512		SCREW
60	7605J		BOLT T
62	73680400		SUB= 73690400

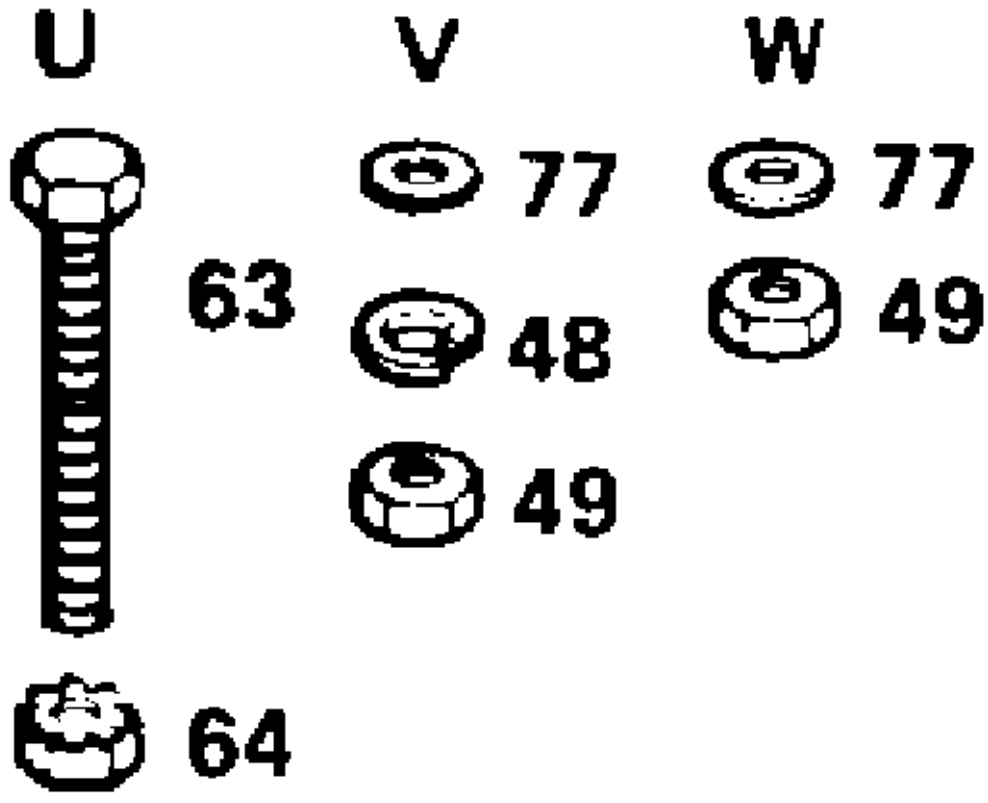
Ref #	Part Number	Qty.	Description
62	73680400		SUB= 73690400
63	74760620		SUB= 74780620
64	73510600		NUT
65	17490608		SCREW LT
66	100663K		PIN SUSPENS. LTV
67	17490616		SCREW GTV
69	74780816		BOLT
70	10110800		SUB= 10040800
71	19171912		WASHER
72	17431008		SUB= 98000165
73	74780512		BOLT
74	73510500		NUT
75	677A527		BRACKET ASSY - FENDER
76	74350512		BOLT LT
77	19091216		WASHER PM
78	17490412		SCREW HEX CRT



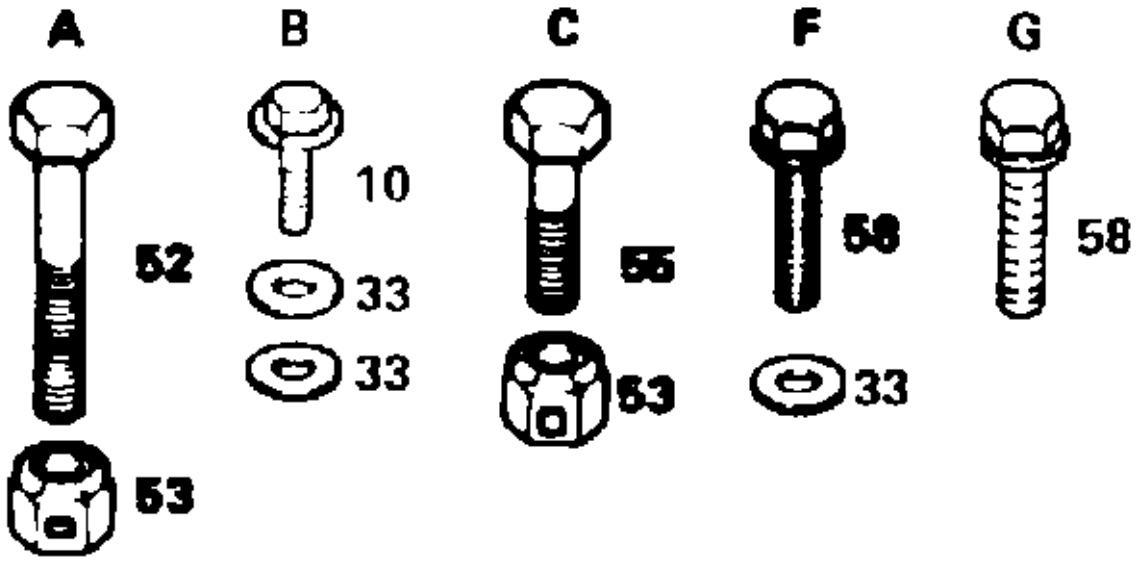
Ref #	Part Number	Qty.	Description
1	73680600		SUB= 73690600
6	19111116		WASHER
19	73680500		SUB= 73690500
36	72140606		BOLT
45	74760520		BOLT
46	72140612		BOLT
47	72110505		BOLT
50	72140506		BOLT
51	73690600		LOCKNUT



Ref #	Part Number	Qty.	Description
17	17490612		SCREW
18	72140606		BOLT
19	73680600		SUB= 73690600
20	100662K		BOLT SHOULDER LTV
21	4939M		SUB= 85902
22	19171616		WASHER
	2557R		SUB= 25651



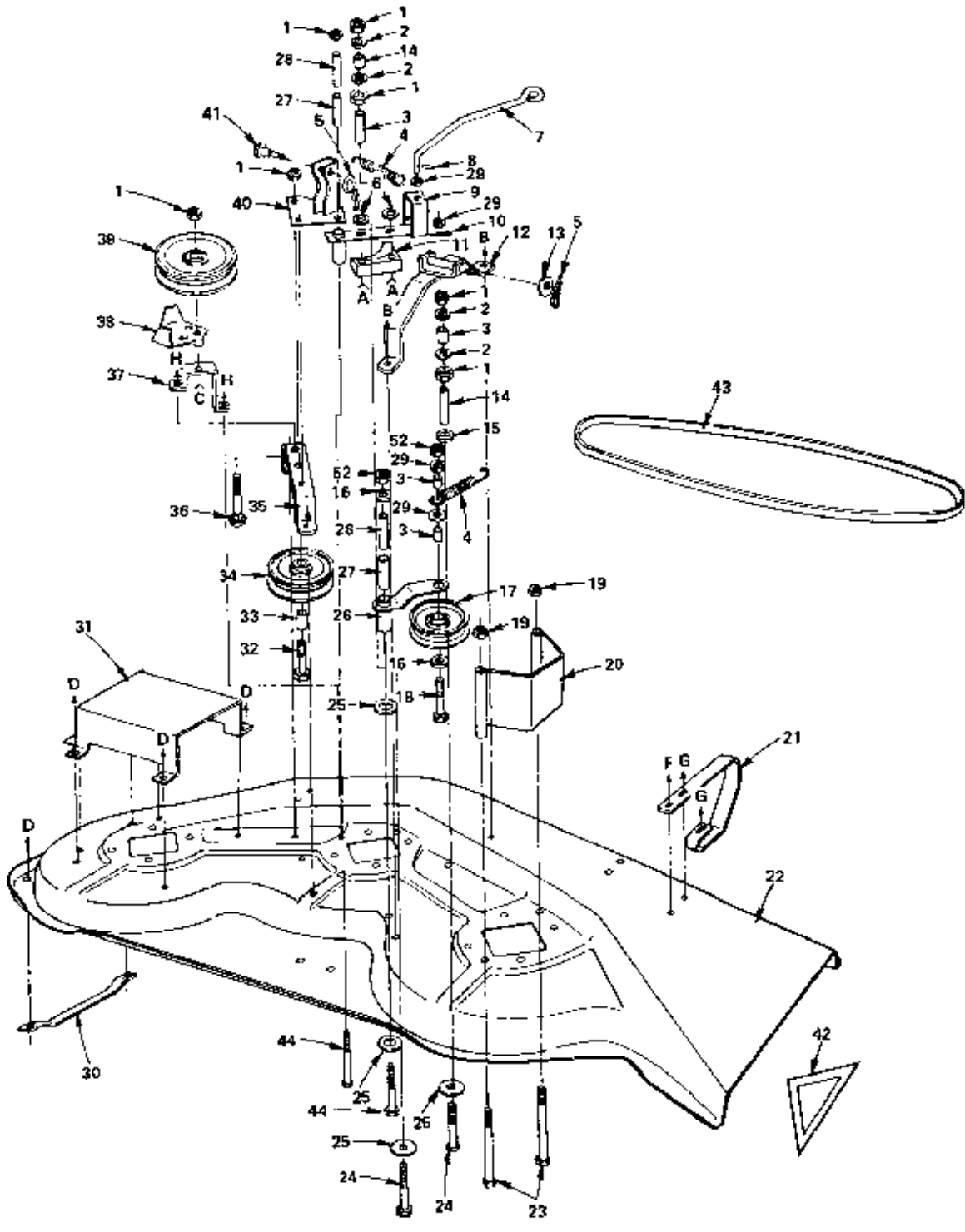
Ref #	Part Number	Qty.	Description
48	10090400		SUB= 10040400
49	73220400		SUB= 50675
63	74760620		SUB= 74780620
64	73510600		NUT
77	19091216		WASHER PM



Ref #	Part Number	Qty.	Description
10	17490516		SCREW TI
33	19111216		WASHER M
52	74760644		BOLT
53	73680600		SUB= 73690600
55	74760612		SUB= 74780612
58	17490512		SCREW

ROPER YT 16 TRACTOR-MODEL NUMBER YT 160BR

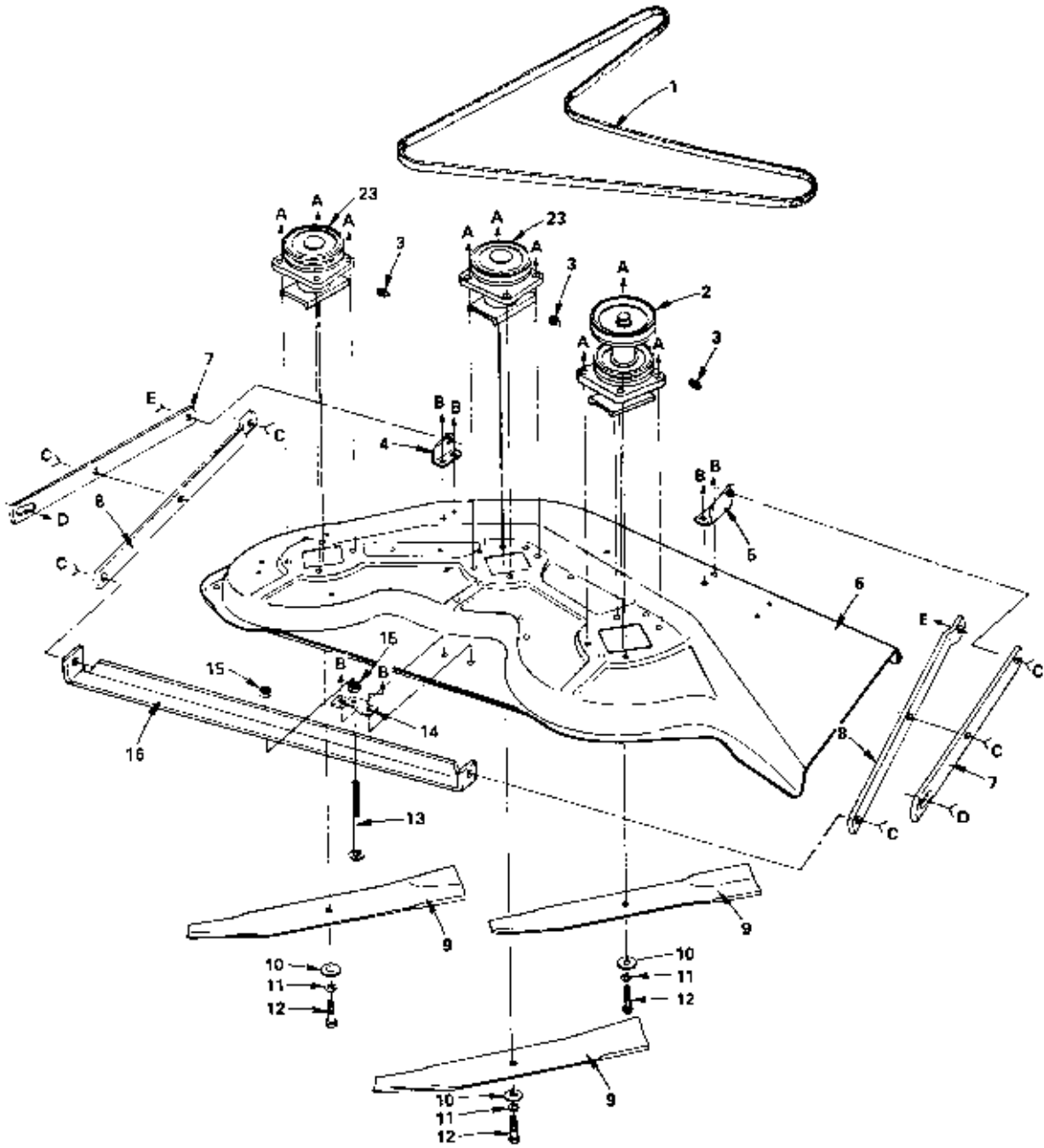
MOWER



Ref #	Part Number	Qty.	Description
1	73680600		SUB= 73690600
2	19131416		WASHER
3	102933X		SPLIT SPACER YTV
4	104361X		SPRING T
5	4939M		SUB= 85902
6	19111116		WASHER
7	101992X		ROD BRAKE LTV
8	1793H		ROLL PIN T
9	105049X		ARM ASY BRAKE Y
10	76020512		PIN - COTTER
11	102951X		BRAKE-BLOCK YTV
12	102945X		ASSY RH LIFT YTV
13	19171616		WASHER
14	100672K		SPACER BRAKE LTV
15	19131407		SUB= 55611
16	19131416		WASHER
17	102932X		IDLER.FLAT.GTV
18	74760640		BOLT
19	73680500		SUB= 73690500
20	102924X		ASSY RH BELT GRD
21	8418J		SUB= 136321
22	102891X		SUB= 135745
23	74760580		BOLT
24	74760656		BOLT
25	19132012		WASHER
26	106321X		ASSY IDLER ARM YT
27	102931X		"LINER YTV, BEAR."
28	102930X		BRNG-SLEEVE YTV
29	19131216		WASHER
30	7631J		RUNNER-LH M
31	102950X		GUARD-LH YTV
32	74760648		BOLT - HEX 3/8 - 16 X 3
33	102949X		SPACER-SPLIT YTV
34	102948X		IDLER-FLAT YTV
35	102939X		BRACKET IDLER YTV
36	72140606		BOLT
37	102943X		SUB= 108611X
38	102944X		GUARD-IDLER YTV
39	677A451		IDLER-INSIDE T
40	102940X		NLA
41	104955X		NLA
42	78850		SUB= 85463
43	100670N		SUB= 106085X
44	74760644		BOLT
52	73930600		LOCKNUT

ROPER YT 16 TRACTOR-MODEL NUMBER YT160BR

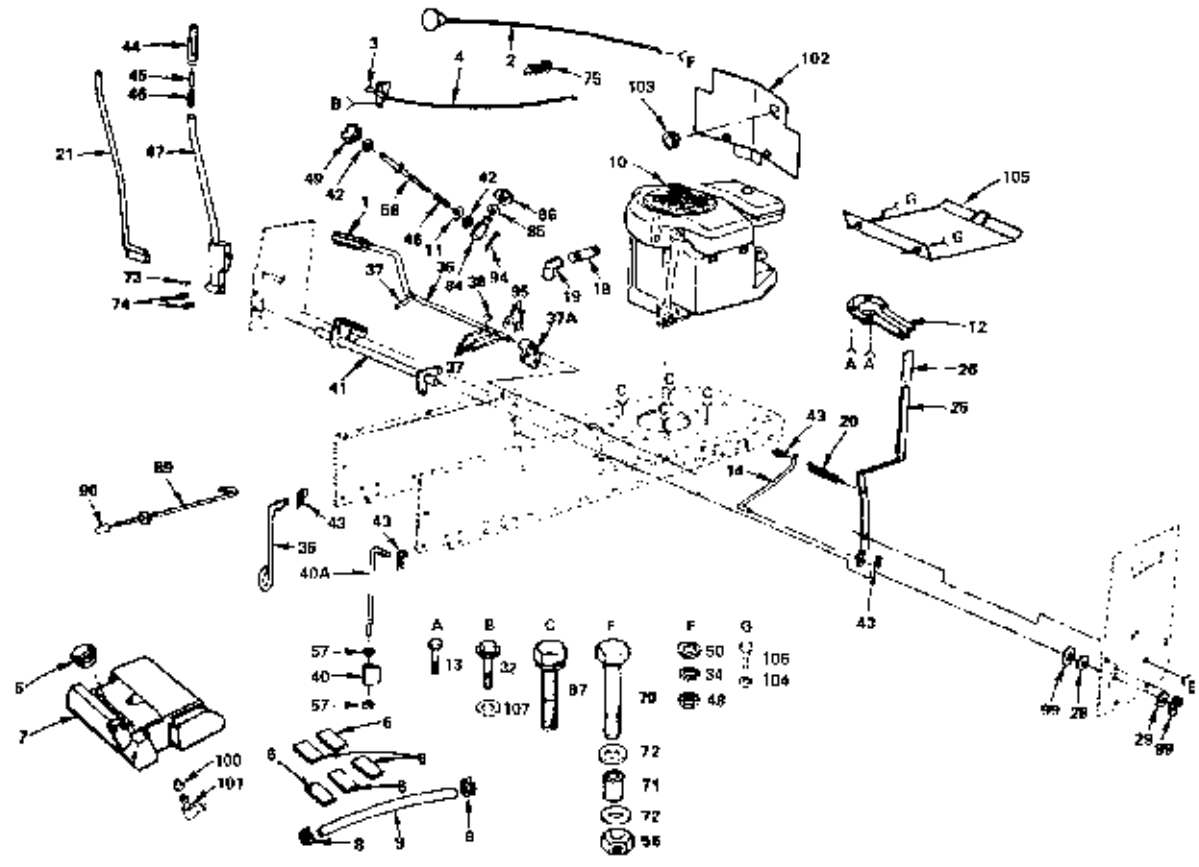
MOWER



Ref #	Part Number	Qty.	Description
1	100670N		SUB= 106085X
2	102920X		SUB= 105195X
3	6855M		ZERK M
4	102918X		BRACKET LH YTV
5	102917X		BRACKET RH YTV
6	102891X		SUB= 135745
7	100661L		ARM SUSPENS. LTV
8	100660L		ARM SUSPENS. LTV
9	100140M		SUB= 25034
10	19132012		WASHER
11	10040600		LOCKWASHER
12	74610624		BOLT.3/8-24X1-1/2
13	72160640		BOLT
14	100836K		BRACKET GTV
15	73220600		NUT.HEX.3/8-16UNC
16	102919X		CROSSBAR YTV
23	100135L		SUB= 105194X
	2557R		SUB= 25651

ROPER YT 16 TRACTOR-MODEL NUMBER YT160BR

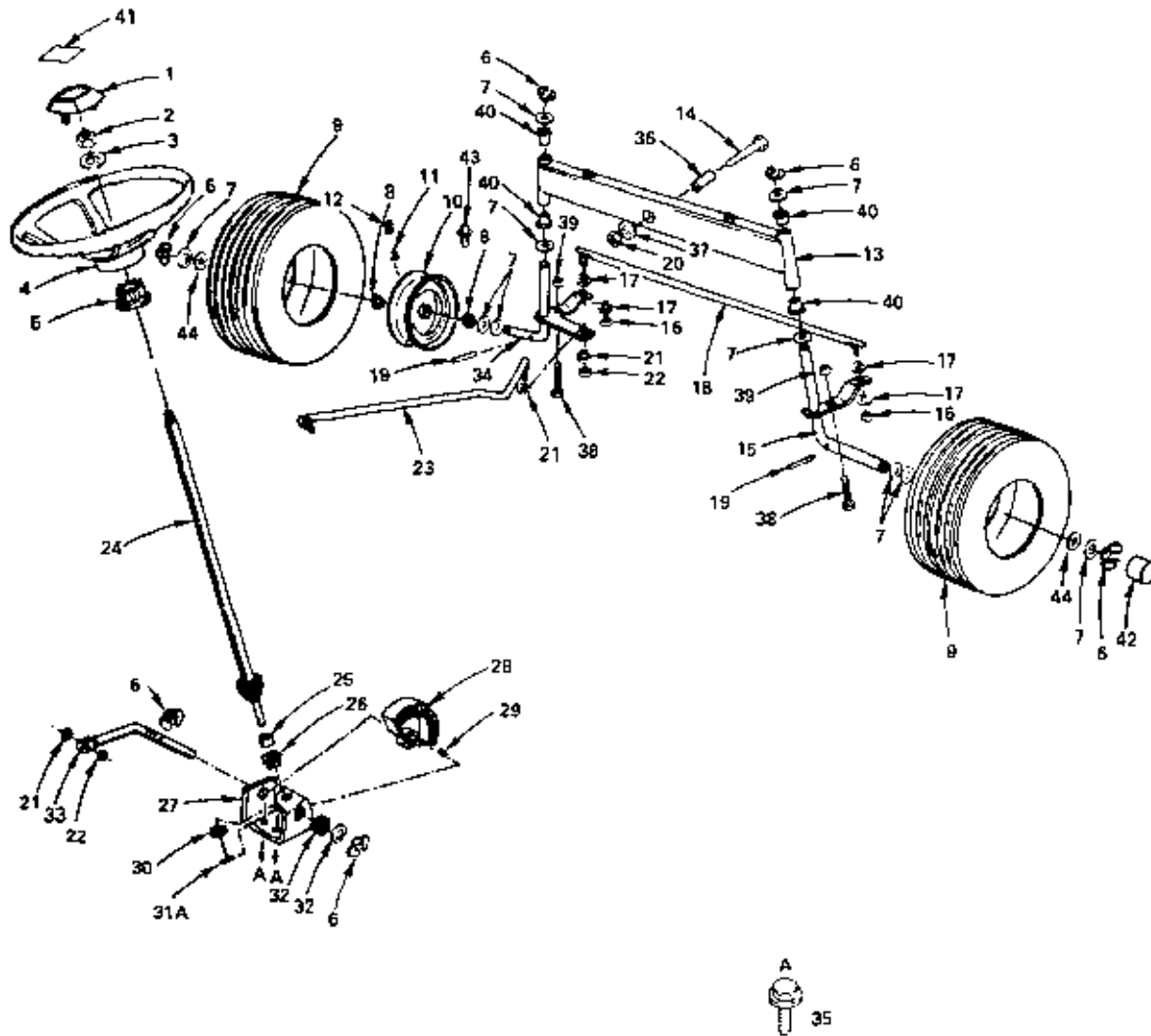
POWER & MECHANICAL CONTROLS GROUP



Ref #	Part Number	Qty.	Description
1	8883R		PEDAL COVER T
2	104871X		NLA
3	61159		KNOB
4	104870X		THROTTLE CONTROL
5	4609J		SUB= 158990
6	6431J		PAD-SPACER T
7	3616J		SUB= 151346
8	6999R		SUB= 123487X
9	7834R		SUB= 8542R
10	402707		ENGINE, B&S
11	19131016		WASHER
12	677A690		SUB= 108767X
13	17020806		SCREW
14	105021X		NLA
18	13280336		PIPE NIPPLE LT
19	13200300		ELBOW
20	102727X		"SPRING.EXT.8.5""
21	104598X		ROD ASSY-LEVER LT
25	104790X		HANDLE-CLUTCH L
26	4617J		SUB= 532131861
29	19292016		WASHER
32	17720410		SCREW LT
34	11050600		LOCKWASHER
35	102911X		SUB= 106660X
36	678H726		SUB= 8334J
37	1572H		SUB= 2882J
37A	100639C		NLA
38	2228M		SUB= 2228M1
40	102913X		NLA
40A	102916X		LINK, LIFT
41	102507X		SHAFT ASSY YTV
42	73350600		NUT
43	4939M		SUB= 85902
44	2895H		HANDLE GRIP T
45	8016J		SUB= 125925X
46	2876H		SPRING T
47	104597X		LEVER ASSY LT
48	73610600		SUB= 7810H
49	100734K		SUB= 138057
50	19131316		WASHER
56	73680600		SUB= 73690600
57	73220600		NUT.HEX.3/8-16UNC
58	100735K		ROD ADJUST LT
70	74760620		SUB= 74780620
71	100644K		BUSHING LT
72	19121612		WASHER LT
73	8330H		KEY STD
74	23180606		SCREW
75	4171R		CLIP T
84	101272K		TRUNION LT
85	19151216		WASHER
86	12000037		KLIP RING
87	17490620		SCREW
89	8680J		NLA
90	71673		PLUNGER CAP T
94	76020308		SUB= 3145
95	19252016		SUB= 121749X
99	12000029		RING
100	3645J		BUSHING OUTLET T
101	8710J		FUEL TANK STEM GT

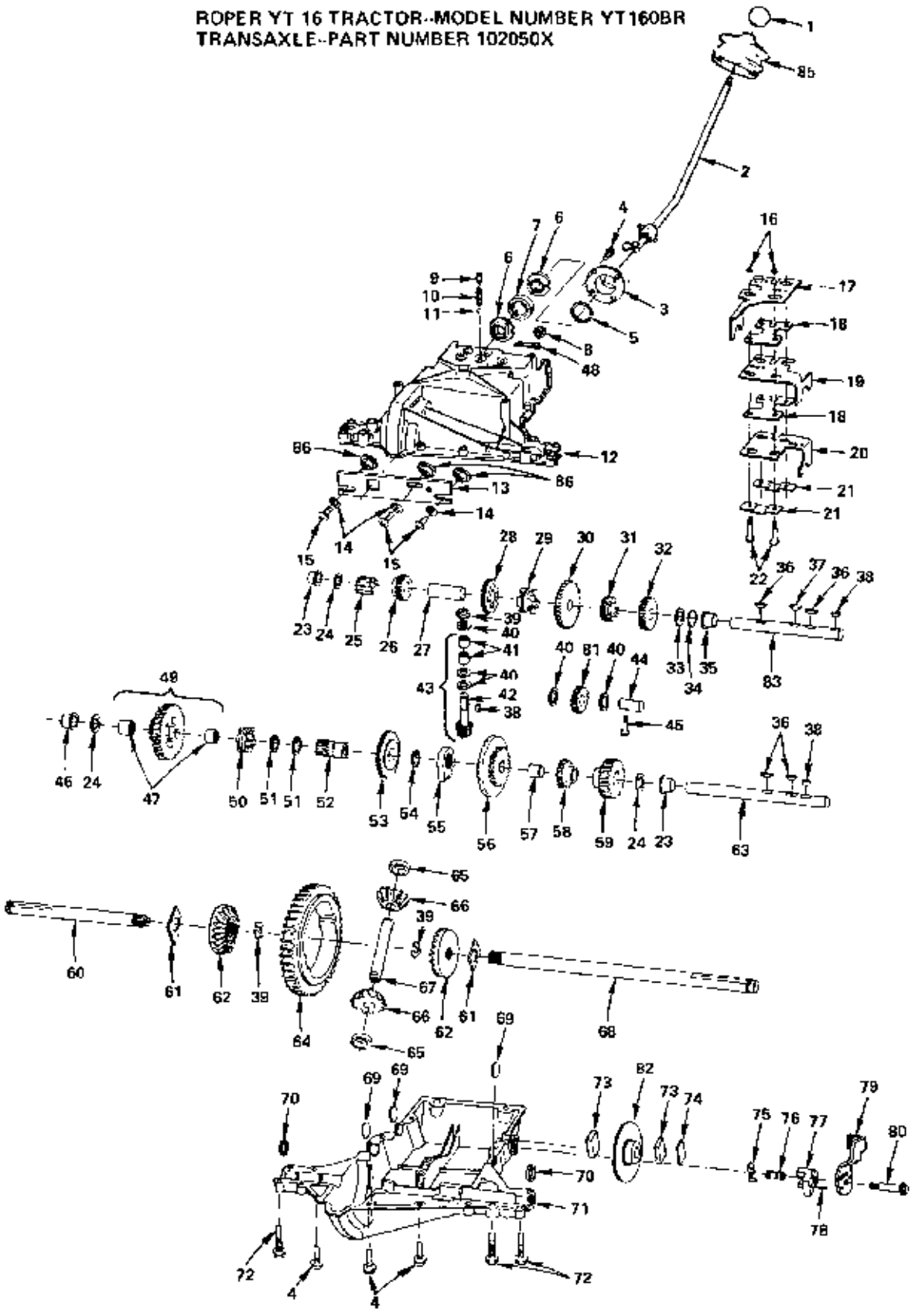
Ref #	Part Number	Qty.	Description
101	8710J		FUEL TANK STEM GT
102	104917X		BAFFLE YT
103	9151R		SNAP BUSHING T
104	10040400		LOCKWASHER
105	104916X		BAFFLE YT
106	74780408		BOLT
107	19091016		WASHER

ROPER YT 16 TRACTOR--MODEL NUMBER YT16D3R
STEERING, FRONT AXLE AND WHEELS



Ref #	Part Number	Qty.	Description
1	100710L		INSERT-WHEEL LT
2	73360800		NUT
3	100712K		WASHER
4	100713N		SUB= 150547
5	100711L		ADAPTER LT
6	12000029		RING
7	19252016		SUB= 121749X
8	9040H		"FLANGE, BEARING"
9	106222X		SUB= 122073X
	59904		TUBE.5.3/4.5/6
10	106218X		WHEEL LT
11	65139		VALVE STEM LT
12	59192		VALVE CAP
13	102482X		AXLE ASSY YTV
14	74761052		NLA
15	100633L		NLA
16	73610500		NUT
17	10040500		LOCKWASHER
18	101005M		SUB= 100629K
19	9530R		SUB= 5142H
20	73681000		LOCKNUT M
21	10040600		LOCKWASHER
22	73610600		SUB= 7810H
23	100628N		DRAG LINK LTV
24	104814X		NLA
25	74580		SHAFT SPACER LT
26	71208		BUSHING
27	102531X		SUB= 110150X
28	4301J		GEAR-SECTOR T
29	2228M		SUB= 2228M1
30	19212016		WASHER D
31A	2882J		DRIVE PIN
32	6266H		WASHER .T
33	100627L		ROD STEERING LT
34	100630L		SPINDLE LH LTV
35	17490612		SCREW
36	6826J		TUBE T
37	156J		NLA
38	74930644		BOLT
39	73510600		NUT
40	3366R		COL. SRTG. BEAR.
41	104590X		DECAL - STEERING WHEEL
42	104757X		HUB CAP
43	278H		FITTING LT
44	19252516		WASHER LT

**ROPER YT 16 TRACTOR--MODEL NUMBER YT160BR
TRANSAXLE--PART NUMBER 102050X**

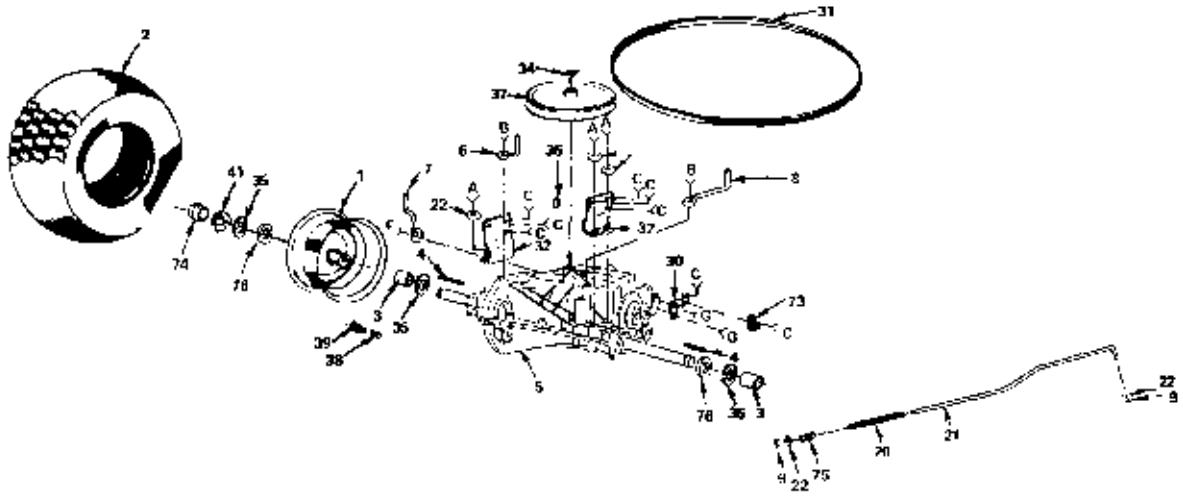


Ref #	Part Number	Qty.	Description
1	4591J		KNOB
2	104999X		LEVER ASSY
3	3485J		CUP YTV
4	17490412		SCREW HEX CRT
5	4076J		SPRING - WAVE
6	3483J		SOCKET - LEVER, SHIFT
7	5544J		INSERT-SHIFT YT
8	74525		SWITCH
9	23180405		NLA
10	101918X		SPRING YTV
11	8127M		NLA
12	102055X		NLA
13	101908X		PLATE YTV
14	101909X		NLA
15	71011012		SCREW.HXHD.10-2
16	101913X		WASHER YTV
17	104995X		FORK - SHIFT, PRIMARY
18	101917X		PLT-SEPARATOR L
19	104997X		NLA
20	104996X		FORK-SHIFT YTV
21	101914X		NLA
22	101915X		NLA
23	3455J		BUSHING
24	3456J		WASHER
24A	101930X		WASHER YTV
24B	101931X		NLA
24C	101932X		WASHER YTV
24D	101933X		NLA
24E	101934X		NLA
24F	101935X		NLA
24G	101936X		NLA
25	6694J		GEAR-SPUR 13T Y
26	101088C		NLA
27	101942X		NLA
28	3474J		GEAR - SPUR, 27T
29	105072X		NLA
30	3473J		GEAR - SPUR, 37T
31	105071X		NLA
32	101087C		NLA
33	101930X		WASHER YTV
34	5389R		NLA
35	102364X		NLA
36	4325M		KEY YTV
37	3471J		KEY YTV
38	2228M		SUB= 2228M1
39	12000040		KLIP RING
40	1370H		"T, BEARING"
41	101907X		NLA
42	101085M		NLA
43	102054X		NLA
44	3431J		SHAFT - IDLER, REVERSE
45	17541020		SCREW YTV
46	3841J		BUSHING
47	4528J		NLA
48	76020206		SUB= 76020216
49	102052X		GEAR ASSY YTV
50	104568X		NLA
51	12000047		NLA
52	104434X		NLA
53	101089D		GEAR LT

Ref #	Part Number	Qty.	Description
53	101089D		GEAR LT
54	12000042		NLA
55	102051X		NLA
56	101083D		NLA
57	101929X		NLA
58	101090C		GEAR YTV
59	6691J		GEAR YTV
60	105212X		NLA
61	101922X		NLA
62	101921X		GEAR YTV
63	101927X		SHAFT PRIMARY Y
64	101084D		NLA
65	101925X		NLA
66	3452J		GEAR YTV
67	101924X		SHAFT YTV
68	105213X		AXLE RH
69	101946X		DISC YTV
70	101923X		NLA
71	101943X		NLA
72	17490420		SCREW YTV
73	3492J		PAD-BRAKE YTV
74	3491J		SHIM - BRAKE, HARDENED
75	3836J		PLATE, BEARING
76	7177J		NLA
77	3835J		CALIPER - BRAKE
78	23210806		SCREW
79	677A604		NLA
80	3487J		BOLT - SHOULDER
81	101086M		NLA
82	101948X		DISC-BRAKE YTV
83	101937X		NLA
84	102881X		LUBRICANT YTV
85	105138X		NLA
86	3807J		T NUT

ROPER YT 16 TRACTOR--MODEL NUMBER YT160BR

TRANSMISSION AND REAR WHEEL



Ref #	Part Number	Qty.	Description
1	106272X		"RIM ASSY 10"" T"
2	106274X		SUB= 122076X
	105101X		TUBE.20X8-10
3	2935J		WHEEL SPACER LT
4	2703J		SUB= 123583X
5	102050X		NLA
6	1642J		BELT SNUBBER T
7	104773X		NLA
8	105365X		NLA
9	76020412		COTTER PIN
20	101319L		NLA
21	105979X		SUB= 106105X
22	19131316		WASHER
30	6430J		NLA
31	105380X		SUB= 144200
32	678H479		SUB= 109167X
34	12000040		KLIP RING
35	19252016		SUB= 121749X
36	2228M		SUB= 2228M1
37	104902X		PULLEY-INPUT LT
38	59192		VALVE CAP
39	65139		VALVE STEM LT
41	12000001		E-RING LT
73	5320R		INSUL CLIP T
74	104757X		HUB CAP
75	2876H		SPRING T
76	19252516		WASHER LT