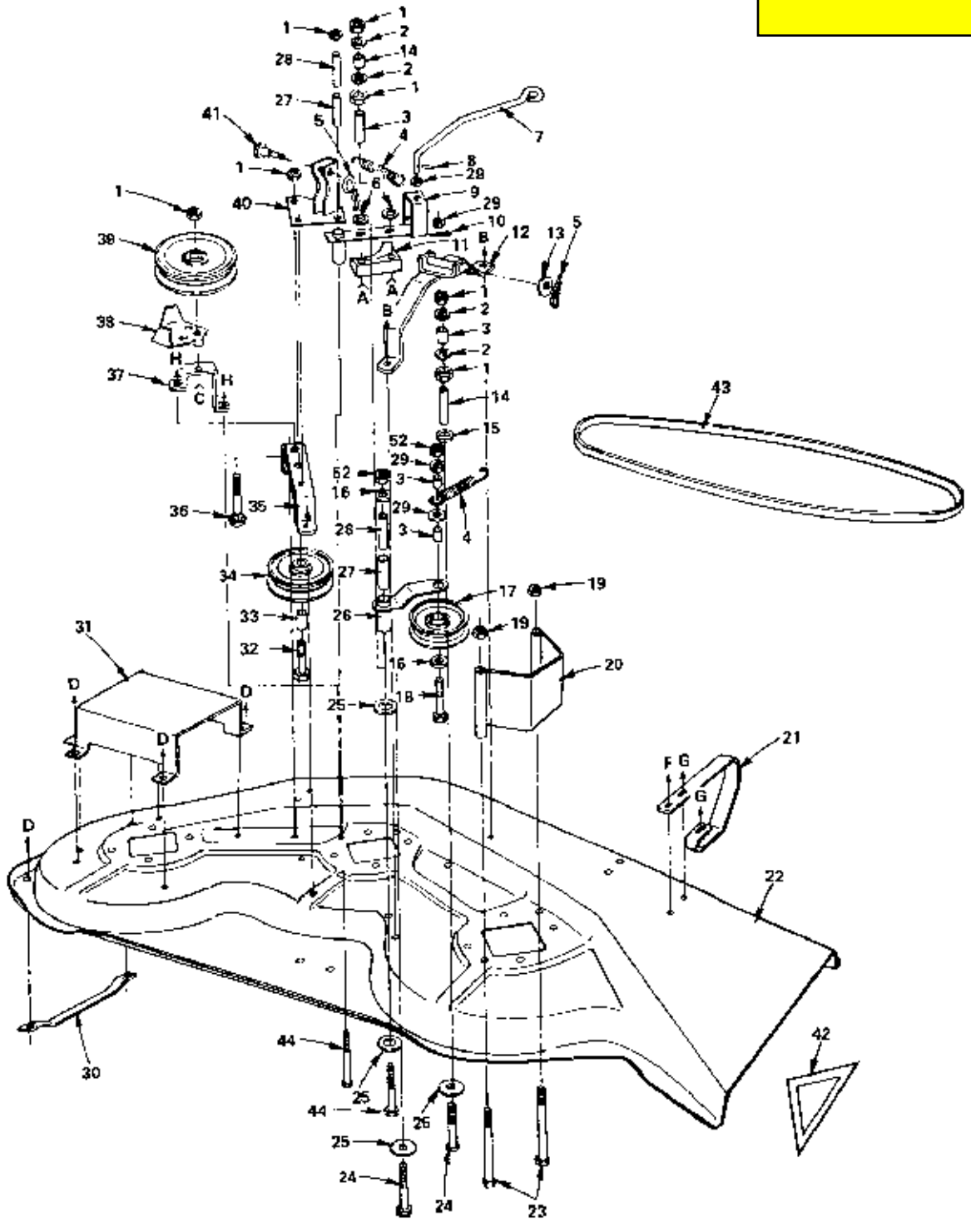


ROPER YT 16 TRACTOR—MODEL NUMBER YT 160BR

MOWER

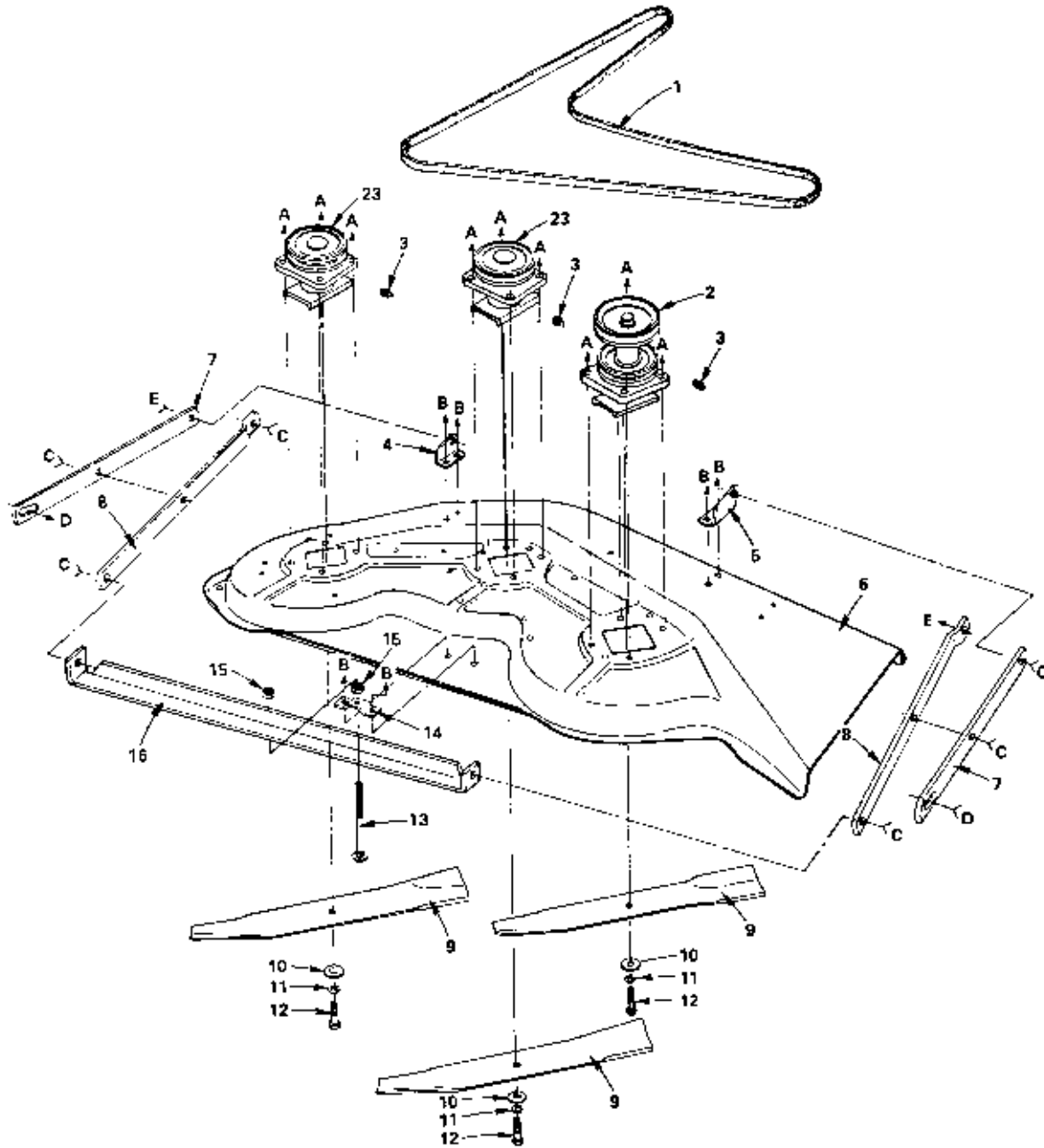
same as YT160BT



| Ref # | Part Number | Qty. | Description |
|-------|-------------|------|-------------------------|
| 1 | 73680600 | | SUB= 73690600 |
| 2 | 19131416 | | WASHER |
| 3 | 102933X | | SPLIT SPACER YTV |
| 4 | 104361X | | SPRING T |
| 5 | 4939M | | SUB= 85902 |
| 6 | 19111116 | | WASHER |
| 7 | 101992X | | ROD BRAKE LTV |
| 8 | 1793H | | ROLL PIN T |
| 9 | 105049X | | ARM ASY BRAKE Y |
| 10 | 76020512 | | PIN - COTTER |
| 11 | 102951X | | BRAKE-BLOCK YTV |
| 12 | 102945X | | ASSY RH LIFT YTV |
| 13 | 19171616 | | WASHER |
| 14 | 100672K | | SPACER BRAKE LTV |
| 15 | 19131407 | | SUB= 55611 |
| 16 | 19131416 | | WASHER |
| 17 | 102932X | | IDLER.FLAT.GTV |
| 18 | 74760640 | | BOLT |
| 19 | 73680500 | | SUB= 73690500 |
| 20 | 102924X | | ASSY RH BELT GRD |
| 21 | 8418J | | SUB= 136321 |
| 22 | 102891X | | SUB= 135745 |
| 23 | 74760580 | | BOLT |
| 24 | 74760656 | | BOLT |
| 25 | 19132012 | | WASHER |
| 26 | 106321X | | ASSY IDLER ARM YT |
| 27 | 102931X | | "LINER YTV, BEAR." |
| 28 | 102930X | | BRNG-SLEEVE YTV |
| 29 | 19131216 | | WASHER |
| 30 | 7631J | | RUNNER-LH M |
| 31 | 102950X | | GUARD-LH YTV |
| 32 | 74760648 | | BOLT - HEX 3/8 - 16 X 3 |
| 33 | 102949X | | SPACER-SPLIT YTV |
| 34 | 102948X | | IDLER-FLAT YTV |
| 35 | 102939X | | BRACKET IDLER YTV |
| 36 | 72140606 | | BOLT |
| 37 | 102943X | | SUB= 108611X |
| 38 | 102944X | | GUARD-IDLER YTV |
| 39 | 677A451 | | IDLER-INSIDE T |
| 40 | 102940X | | NLA |
| 41 | 104955X | | NLA |
| 42 | 78850 | | SUB= 85463 |
| 43 | 100670N | | SUB= 106085X |
| 44 | 74760644 | | BOLT |
| 52 | 73930600 | | LOCKNUT |

ROPER YT 16 TRACTOR-MODEL NUMBER YT160BR

MOWER



| Ref # | Part Number | Qty. | Description |
|-------|-------------|------|-------------------|
| 1 | 100670N | | SUB= 106085X |
| 2 | 102920X | | SUB= 105195X |
| 3 | 6855M | | ZERK M |
| 4 | 102918X | | BRACKET LH YTV |
| 5 | 102917X | | BRACKET RH YTV |
| 6 | 102891X | | SUB= 135745 |
| 7 | 100661L | | ARM SUSPENS. LTV |
| 8 | 100660L | | ARM SUSPENS. LTV |
| 9 | 100140M | | SUB= 25034 |
| 10 | 19132012 | | WASHER |
| 11 | 10040600 | | LOCKWASHER |
| 12 | 74610624 | | BOLT.3/8-24X1-1/2 |
| 13 | 72160640 | | BOLT |
| 14 | 100836K | | BRACKET GTV |
| 15 | 73220600 | | NUT.HEX.3/8-16UNC |
| 16 | 102919X | | CROSSBAR YTV |
| 23 | 100135L | | SUB= 105194X |
| | 2557R | | SUB= 25651 |