

**ILLUSTRATED PARTS LIST**



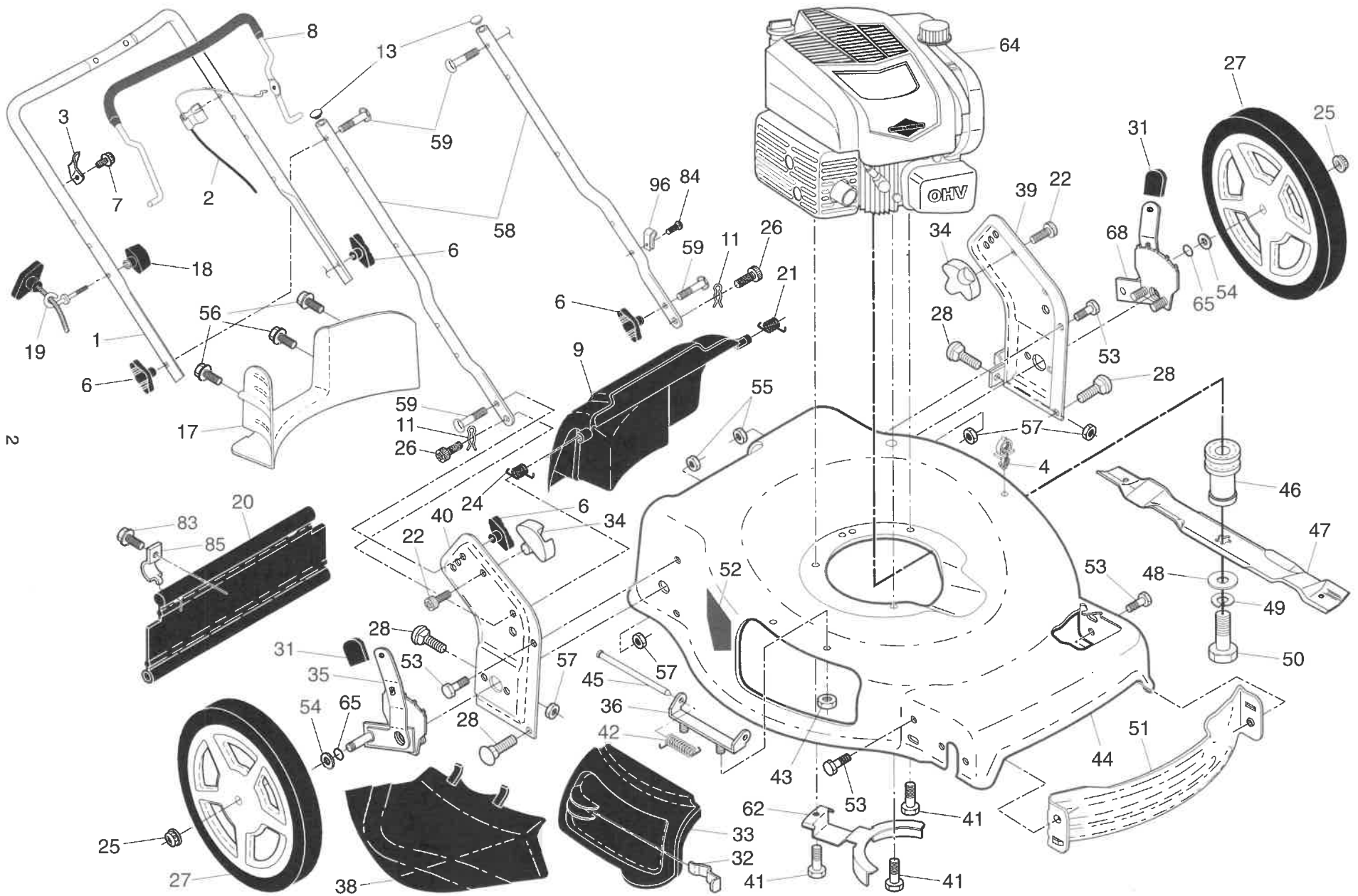
**YARDWORKS<sup>TM/MC</sup>**

**ROTARY LAWN MOWER**

**MODEL NUMBER: 060-1667**

**MFG. ID. NUMBER: 96764580100**

# YARDWORKS ROTARY LAWN MOWER -- MODEL NUMBER 060-1667 (MFG. ID. NUMBER 96764580100)



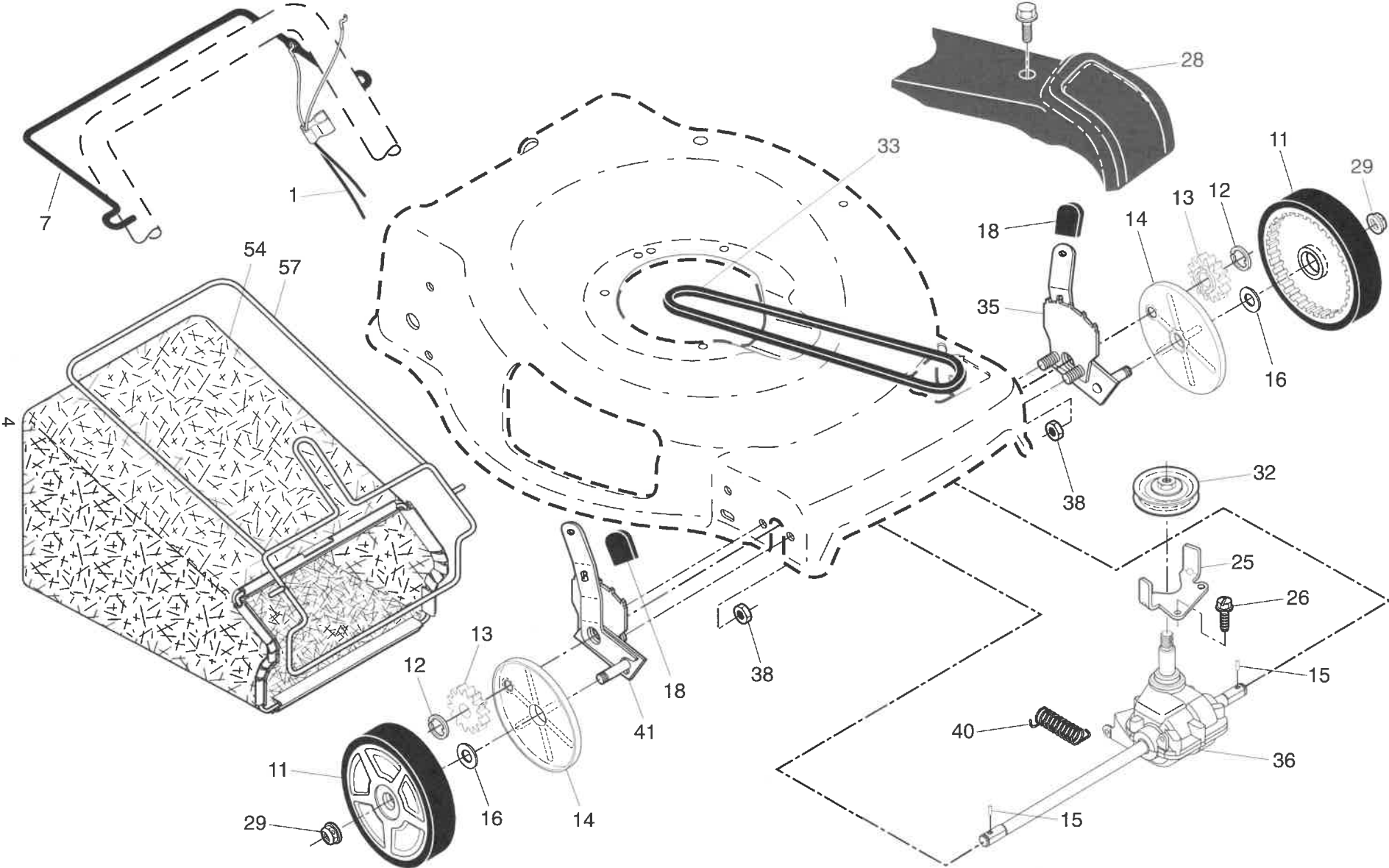
# YARDWORKS ROTARY LAWN MOWER - - MODEL NUMBER 060-1667 (MFG. ID. NUMBER 96764580100)

KEY NO.	PART NO.	DESCRIPTION	KEY NO.	PART NO.	DESCRIPTION
1	585 86 48-05	Upper Handle	43	532 19 17-30	Nut, Hex, Nylock
2	532 42 09-39	Engine Zone Control Cable	44	588 61 02-14	Kit, Lawn Mower Housing
3	532 43 00-34	Bracket, Upstop	45	532 17 56-50	Rod, Hinge
4	532 14 50-06	Guide, Cable	46	581 47 33-01	Blade Adapter / Pulley
6	532 19 19-38	Handle Knob	47	532 42 04-63	Blade, 22"
7	532 17 88-48	Screw, Hex Washer Head #10-16 x 5/8	48	532 85 10-74	Washer, Flat, Hardened
8	587 47 83-01	Control Bar, Overmolded	49	532 85 02-63	Washer, Lock, Helical Spring
9	532 42 10-84	Rear Door Assembly	50	532 85 10-84	Bolt, Hex Head, Grade 8, 3/8-24 x 1-3/8
11	532 42 55-75	Hairpin	51	532 43 05-99	Front Baffle
13	532 43 75-16	Plug, Lower Handle Bar	52	532 18 21-66	Decal, Danger
17	532 42 73-07	Rear Baffle	53	817 00 05-10	Screw, Hex Head 5/16
18	581 91 26-01	T-Knob	54	532 08 83-48	Washer, Flat
19	581 90 21-01	Rope Guide	55	532 19 17-30	Nut, Hex, Flanged 1/4-20
20	532 42 91-57	Rear Skirt	56	817 41 13-12	Screw, Hex Washer Head #13 x 3/4
21	532 41 99-49	Spring, Rear Door, LH, Black	57	532 15 53-77	Locknut, Hex 5/16-18
22	532 14 18-41	Screw, Pan Head, Torx #20	58	585 90 82-02	Bar, Lower Handle
24	532 41 99-48	Spring, Rear Door, RH, Grey	59	532 19 15-74	Handle Bolt
25	532 40 91-49	Nut, Hex, Flanged	62	532 43 50-59	Belt Retainer
26	532 41 99-45	Screw, Rear Door/Handle Pivot	64	- - -	Engine, Briggs & Stratton, Model Number 104M02-0012-F1 (For engine service and replacement parts, call Briggs & Stratton at 1-800-233-3723)
27	581 01 03-30	Wheel & Tire Assembly, Rear	65	532 19 74-80	O-Ring
28	586 21 25-01	Bolt, Carriage 5/16-18 x 5/8	68	532 43 11-41	Wheel Adjuster Assembly, LH (Includes Knob)
31	532 70 10-37	Selector Knob	83	532 75 00-97	Screw
32	532 44 11-92	Latch, Mulcher Door	84	532 42 81-24	Fastener, Push
33	532 43 26-42	Mulcher Door	85	532 43 45-30	Bracket, Skirt Mounting
34	532 43 81-34	Pivot Bracket	96	532 19 79-91	Clip, Cable
35	532 43 11-40	Wheel Adjuster Assembly, RH (Includes Knob)	--	532 42 38-49	Bag of Parts
36	532 17 57-35	Hinge Bracket Assembly	--	115 58 78-27	(Includes Key Numbers 6 and 59)
38	532 42 61-29	Discharge Deflector	--	115 58 78-31	Operator's Manual, English
39	585 90 07-02	Handle Bracket, LH			Operator's Manual, French
40	585 90 08-02	Handle Bracket, RH			
41	532 15 04-06	Screw, Dogpoint 3/8-16 x 1-1/8			
42	532 19 30-00	Spring, Torsion			

**NOTE:** All component dimensions given in U.S. inches. 1 inch = 25.4 mm

**IMPORTANT:** Use only Original Equipment Manufacturer (O.E.M.) replacement parts. Failure to do so could be hazardous, damage your lawn mower and void your warranty.

**YARDWORKS ROTARY LAWN MOWER - - MODEL NUMBER 060-1667 (MFG. ID. NUMBER 96764580100)**



# YARDWORKS ROTARY LAWN MOWER - - MODEL NUMBER 060-1667 (MFG. ID. NUMBER 96764580100)

KEY NO.	PART NO.	DESCRIPTION	KEY NO.	PART NO.	DESCRIPTION
1	588 47 92-01	Cable, Drive Control	29	532 40 91-48	Locknut, Hex
7	501 84 95-01	Control Bar, Drive	32	586 98 97-01	Drive Pulley
11	581 00 92-09	Wheel & Tire Assembly, Front	33	532 19 68-53	V-Belt
12	812 00 00-58	E-Ring	35	581 49 79-07	Wheel Adjuster Assembly, LH (Includes Bearing)
13	532 40 38-49	Pinion	36	532 42 47-41	Gear Case Assembly, Complete
14	581 84 04-01	Dust Cover	38	532 43 81-30	Locknut, Hex 1/4-20
15	532 40 48-45	Pawl, Drive	40	532 40 65-58	Spring
16	532 06 77-25	Washer, Flat 3/8	41	581 49 79-08	Wheel Adjuster Assembly, RH (Includes Bearing)
18	532 70 10-37	Selector Knob	54	580 94 73-19	Grassbag
25	532 43 17-11	Belt Guide Bracket	57	585 05 47-02	Frame, Grassbag
26	532 16 34-09	Screw, Hi-Lo Thread #12 x 5/8			
28	580 28 99-01	Drive Cover Assembly (Includes Mounting Screw and Pushnut)			

5

**NOTE:** All component dimensions given in U.S. inches. 1 inch = 25.4 mm

**IMPORTANT:** Use only Original Equipment Manufacturer (O.E.M.) replacement parts. Failure to do so could be hazardous, damage your lawn mower and void your warranty.