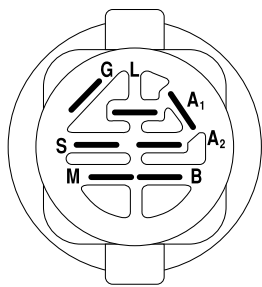
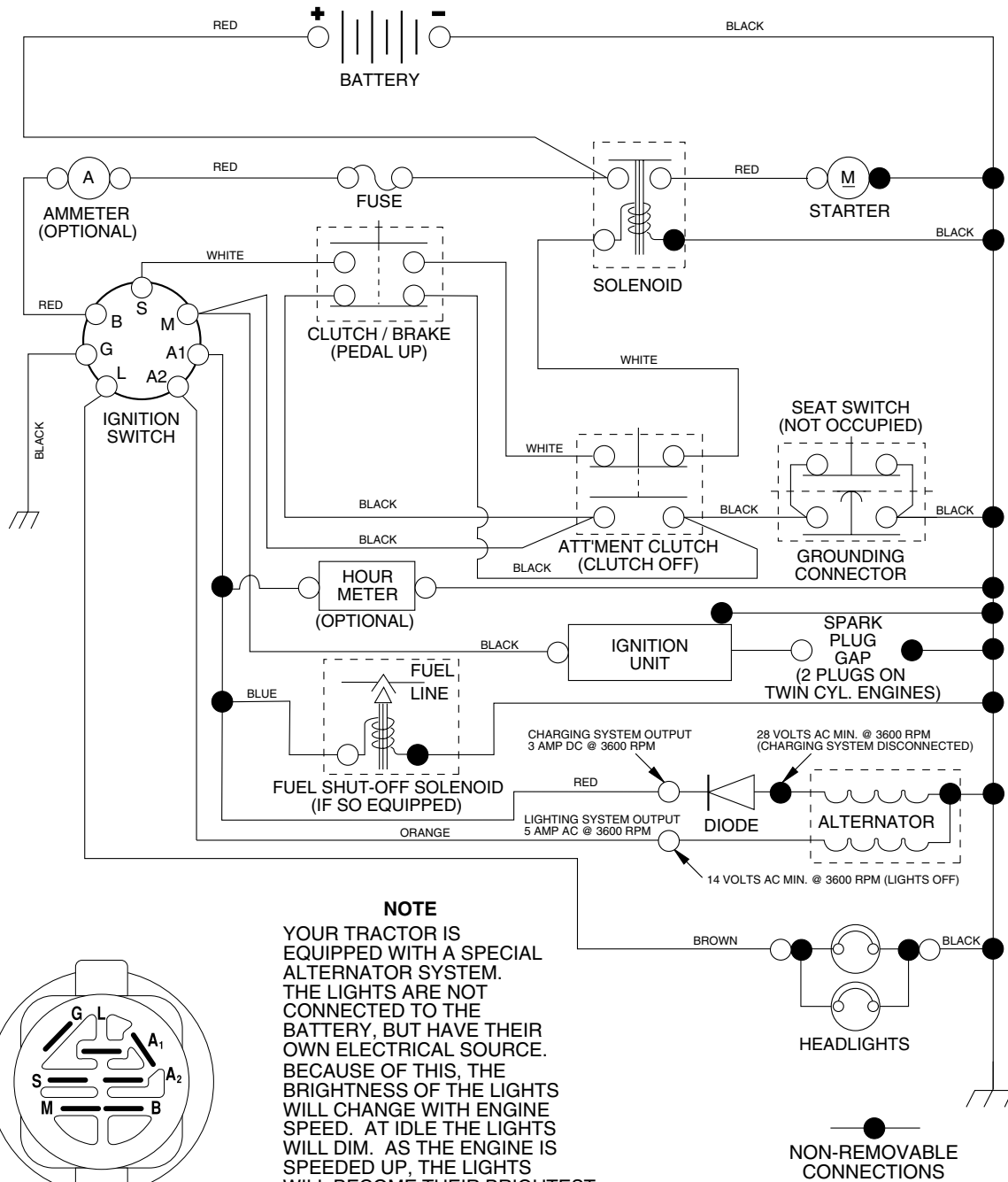


TRACTOR - - MODEL NUMBER CN1842STA

SCHEMATIC



IGNITION SWITCH

POSITION	CIRCUIT	"MAKE"
OFF	M+G+A1	NONE
RUN/LIGHT	B+A1	A2+L
RUN	B+A1	NONE
START	B + S + A1	NONE

NOTE
YOUR TRACTOR IS EQUIPPED WITH A SPECIAL ALTERNATOR SYSTEM. THE LIGHTS ARE NOT CONNECTED TO THE BATTERY, BUT HAVE THEIR OWN ELECTRICAL SOURCE. BECAUSE OF THIS, THE BRIGHTNESS OF THE LIGHTS WILL CHANGE WITH ENGINE SPEED. AT IDLE THE LIGHTS WILL DIM. AS THE ENGINE IS SPEEDED UP, THE LIGHTS WILL BECOME THEIR BRIGHTEST.

WIRING INSULATED CLIPS

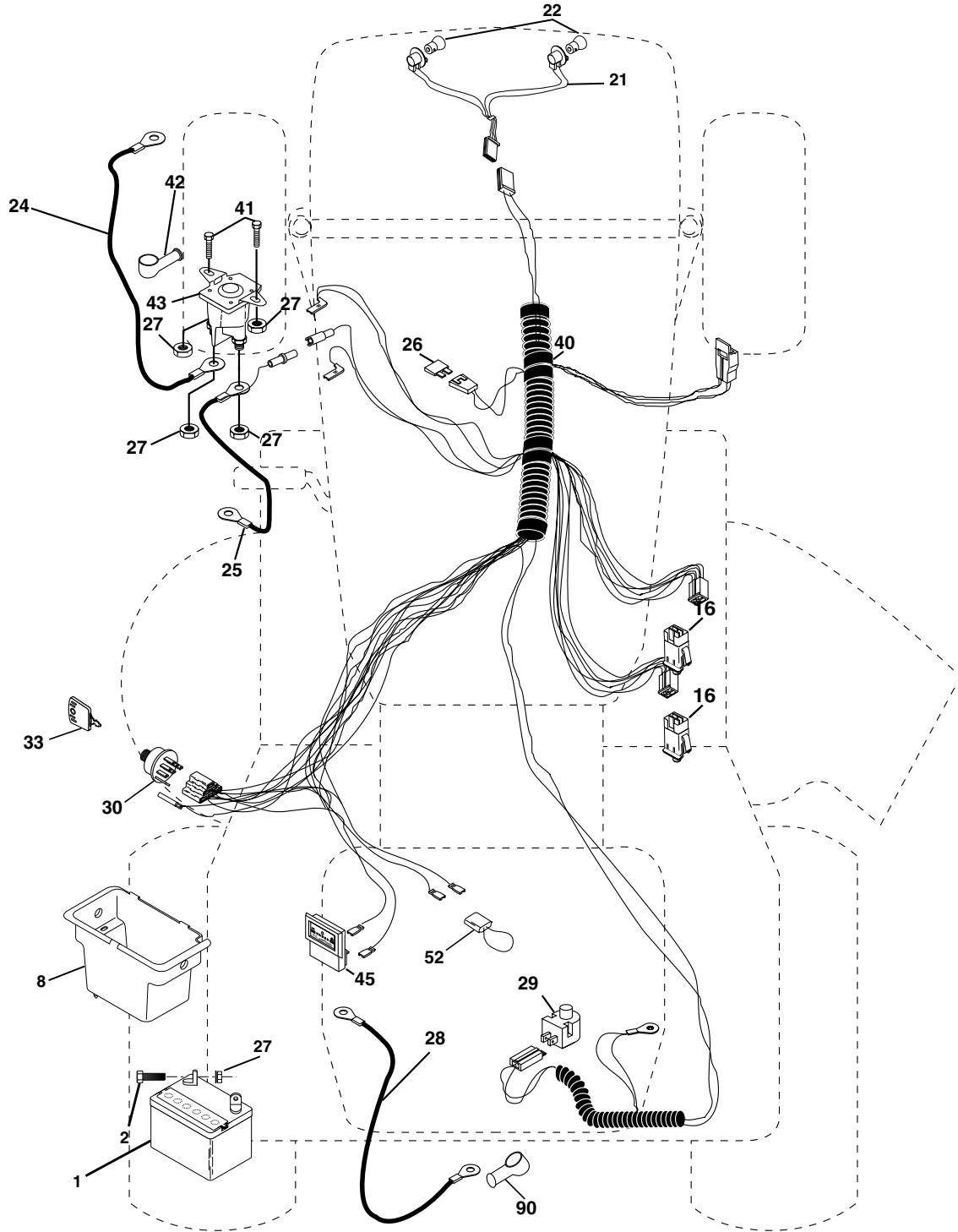
NOTE: IF WIRING INSULATED CLIPS WERE REMOVED FOR SERVICING OF UNIT, THEY SHOULD BE REPLACED TO PROPERLY SECURE YOUR WIRING.

02363

REPAIR PARTS

TRACTOR - - MODEL NUMBER CN1842STA

ELECTRICAL

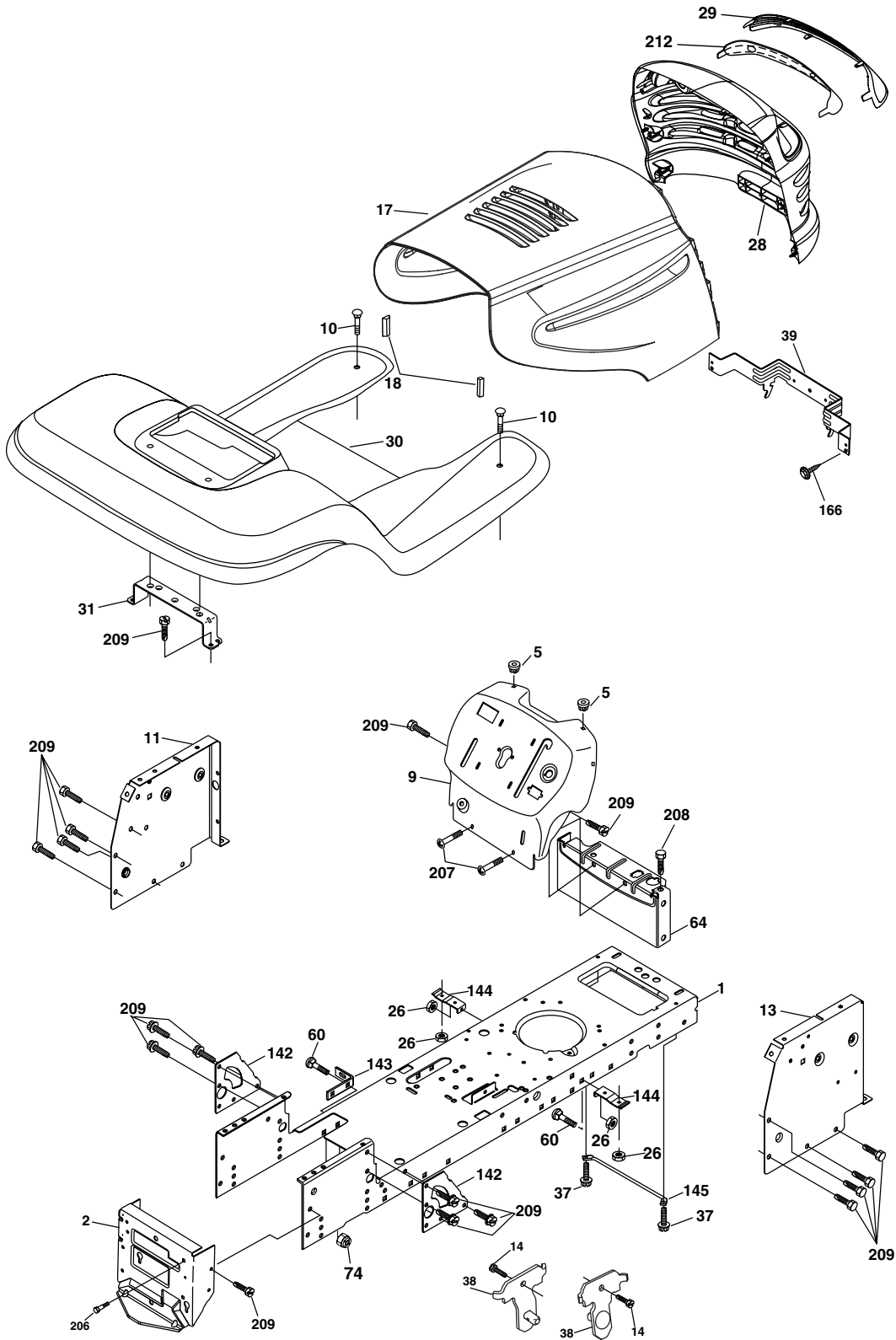


ELECTRICAL **TRACTOR - - MODEL NUMBER CN1842STA**

KEY NO.	PART NO.	DESCRIPTION
1	163465	Battery
2	74760412	Bolt Hex Hd 1/4-20 Unc x 3/4
8	176689	Box Battery
16	176138	Switch, Interlock
21	183759	Harness Asm Light W/4152j
22	4152J	Bulb Light #1156
24	4799J	Cable Battery 6 Ga 11" red
25	146147	Cable Battery 6 Ga w/16 wire red
26	175158	Fuse
27	73510400	Nut Keps Hex 1/4-20 Unc
28	4207J	Cable Ground 6 Ga 12" black
29	121305X	Switch Plunger Normal Op Gray
30	175566	Switch Ign
33	140401	Key Ign
40	179720	Harness Ign
41	71110408	Bolt Blk. Fin Hex 1/4-20 Unc x 1/2
42	131563	Cover Terminal Red
43	178861	Solenoid
45	121433X	Ammeter Rectangular 6 Amp
52	141940	Protection Wire Loop
90	180449	Cover Terminal

NOTE: All component dimensions given in U.S. inches
1 inch = 25.4 mm

**TRACTOR - - MODEL NUMBER CN1842STA
CHASSIS AND ENCLOSURES**



Chassis-Elite_Basic_5

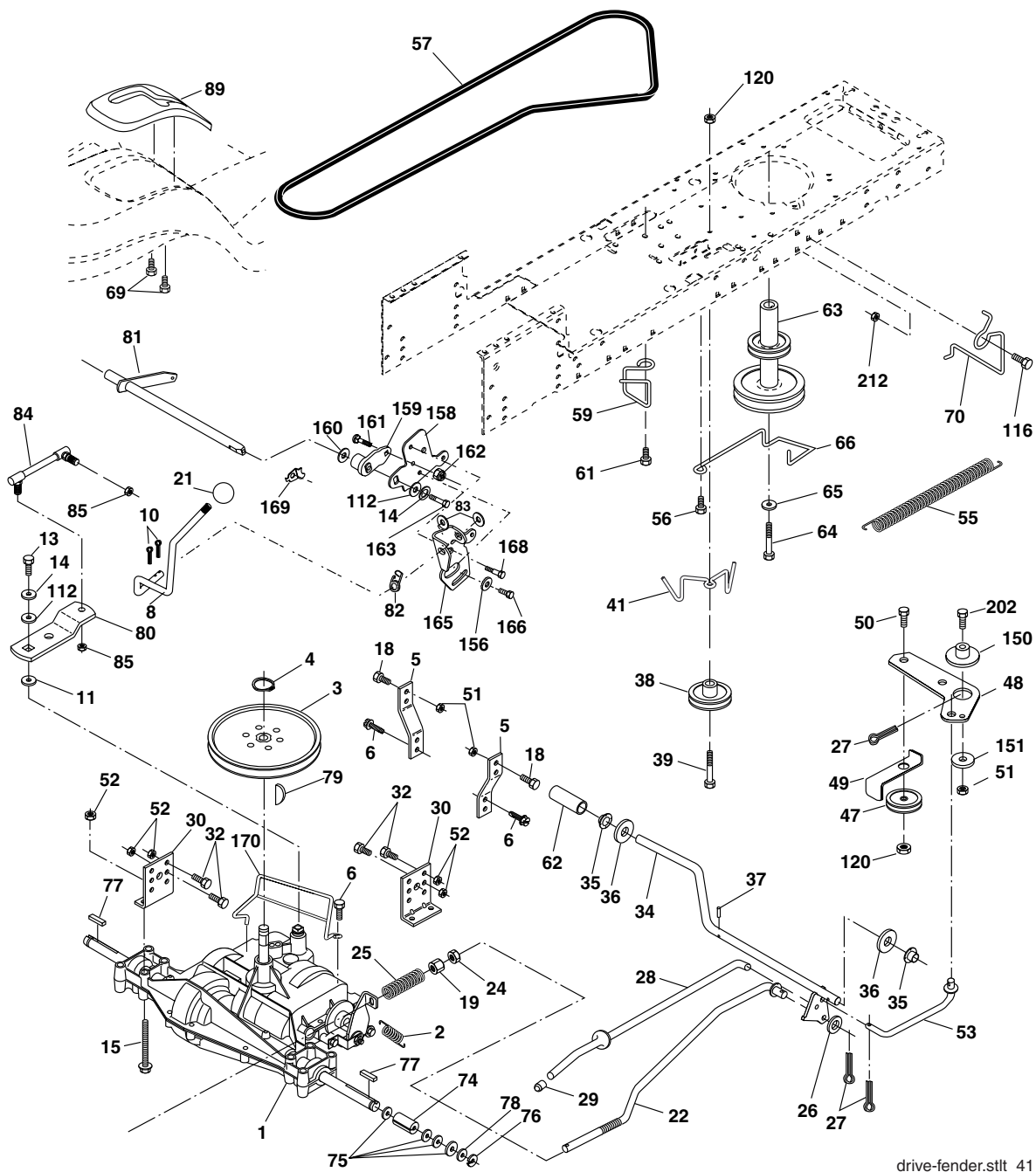
**TRACTOR - - MODEL NUMBER CN1842STA
CHASSIS AND ENCLOSURES**

KEY NO.	PART NO.	DESCRIPTION
1	174619	Chassis
2	176554	Drawbar
5	155272	Bumper Hood/Dash
9	187846X012	Dash
10	72140608	Bolt, Carriage 3/8-16 x 3/4
11	174996	Panel, Dash, L.H.
13	179174X010	Panel, Dash, R.H.
14	17490608	Screw Thdrol 3/8-16 x 1/2
17	183393X428	Hood
18	184921	Bumper Hood
26	73800600	Nut
28	183826	Grille/Lens Asm. (Includes Key Nos. 29 and 212)
29	183824X599	Lens Grille
30	188571X428	Fend/Ftrest
31	139976	Bracket, Fender Support
37	17490508	Screw Thdrol 5/16-18 x 1/2
38	175710	Pivot Bracket Assembly, Rear
39	174714	Bracket Pivot Laser Lt
60	72140606	Bolt Rdhd Sqnk 3/8-16 UNC x 1
64	154798	Dash Lower STLT
74	73680600	Nut Crownlock 3/8-16 UNC
142	175702	Plate Reinforcement STLT
143	186689	Bracket Swaybar Chassis
144	175582	Bracket Pnt Footrest STLT
145	156524	Rod Pivot Chassis/Hood
166	191611	Screw 10 x 3/4 Single Lead-Hex
206	170165	Bolt Shoulder 5/16-18 TT
207	17670508	Screw Thdrol 5/16-18 x 1/2 Tytt
208	17670608	Screw Thdrol 3/8-16 x 1/2
209	17000612	Screw Hexwsh Thdr. 3/8-16 x 3/4
212	183823	Insert Lens Reflective
--	5479J	Plug, Button
--	187801	Plug, Dome Plastic

NOTE: All component dimensions given in U.S. inches
1 inch = 25.4 mm

TRACTOR - - MODEL NUMBER CN1842STA

GROUND DRIVE



drive-fender.stlt_41

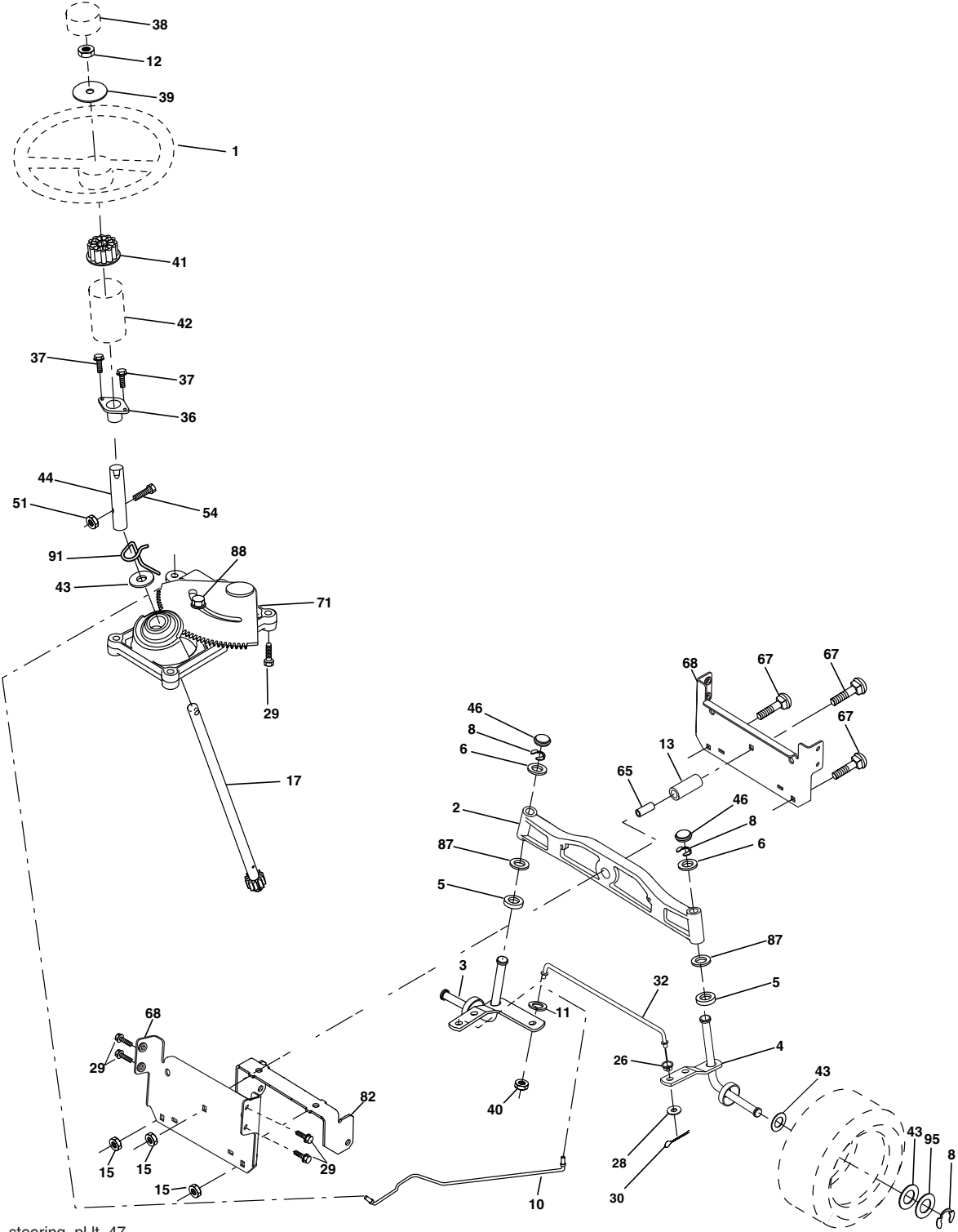
TRACTOR - - MODEL NUMBER CN1842STA

GROUND DRIVE

KEY NO.	PART NO.	DESCRIPTION	KEY NO.	PART NO.	DESCRIPTION
1	-----	Transaxle Peerless 206-545C (Order parts from transaxle manufacture)	62	8883R	Cover, Pedal
2	146682	Spring, Return, Brake	63	175410	Pulley, Engine
3	123666X	Pulley, Transaxle	64	173937	Bolt, Hex 7/16-20 x 4 Gr. 5
4	12000028	Ring, Retainer	65	10040700	Washer
5	121520X	Strap, Torque	66	154778	Keeper, Belt, Engine, Fool-Proof
6	17000512	Screw 5/16-18 x 3/4	69	142432	Screw, Hex, Wsh, Hi-Lo 1/4 x 1/2 unc
8	165866	Rod Shifter Fender STLT	70	134683	Guide, Mower Drive Belt, R.H.
10	76020416	Pin, Cotter	74	137057	Spacer, Axle
11	105701X	Washer, Shift Plate	75	121749X	Washer 25/32 x 1-1/4 x 16 Ga.
13	74550412	Bolt 1/4-28 UNF W/Patch Gr. 8	76	12000001	E-Ring
14	10040400	Washer Lock Hvy Helical	77	123583X	Key, Square 2.0 x .1845/.1865
15	74490544	Bolt Hex Flghd 5/16-18 Gr. 5	78	121748X	Washer 25/32 x 1-5/8 x 16 Ga.
16	73800500	Nut Lock Hx W/Ins 5/16-18	79	2228M	Key Woodruff
18	74780616	Bolt Fin Hex 3/8-16 unc x 1 Gr. 5	80	131486	Arm, Shift
19	73800600	Nut	81	165594	Shaft Asm Cross
21	106933X	Knob	82	165711	Spring, Torsion
22	130804	Rod, Brake	83	19171216	Washer 17/32 x 3/4 x 16 Ga.
24	73350600	Nut	84	166228	Link Transaxle
25	106888X	Spring, Brake Rod	85	150360	Nut, Nylock
26	19131316	Washer	89	188310X428	Console, Shift, STLT
27	76020412	Pin	96	4497H	Retainer Spring 1"
28	175765	Rod, Parking Brake	112	19091210	Washer 9/32 x 3/4 x 10 Ga.
29	71673	Cap, Parking Brake	113	127285X	Strap Torque 90 Degrees
30	174973	Bracket, Transaxle	116	72140608	Bolt Rdhd Sqneck 3/8-16 x 1
32	74760512	Bolt	120	73900600	Nut Lock Flg. 3/8-16
34	175578	Shaft Assembly, Foot Pedal	150	175456	Spacer Retainer
35	120183X	Bearing, Nylon	151	19133210	Washer 13/32 x 2 x 10 Ga.
36	19211616	Washer	156	166002	Washer Srrtd 5/16 ID x 1.125
37	1572H	Roll Pin	158	165589	Bracket Shift Mount
38	179114	Pulley, Composite, Flat	159	183900	Hub Shift
39	72110622	Bolt Rdhd 3/8-16 unc x 2-3/4 Gr. 5	161	72140406	Bolt Rdhd Sqnk 1/4-20 x 3/4 Gr.5
41	175556	Keeper, Belt, Idler	162	73680400	Nut Crownlock 1/4-20 unc
47	127783	Pulley, Idler, V-Groove, Plastic	163	74780416	Bolt Hex Fin 1/4-20 unc x 1 Gr. 5
48	154407	Bellcrank Clutch Grnd Drv Stl	165	165623	Bracket Pivot Lever
49	123205X	Retainer, Belt	166	17490510	Screw 5/16-18 x 5/8
50	72110612	Bolt Carr. Sh. 3/8-16 x 1-1/2 Gr. 5	168	165492	Bolt Shoulder 5/16-18 x .561
51	73680600	Nut Crown Lock 3/8-16 unc	169	165580	Plate Fastening Lt
52	73680500	Nut Crown Lock 5/16-18 unc	170	187414	Keeper Belt Transaxle
53	105710X	Link, Clutch	197	169613	Nyliner Snap-In
55	105709X	Spring, Clutch Return	198	169593	Washer Nyliner
56	17060620	Screw 3/8-16 x 1-1/4	202	72110614	Bolt Carr. SH 3/8-16 x 1-3/4 Gr. 5
57	130801	V-Belt, Ground Drive	212	145212	Nut Hex Flg. Lock
59	169691	Keeper, Belt, Center Span			
61	17120614	Screw 3/8-16 x .875			

NOTE: All component dimensions given in U.S. inches
1 inch = 25.4 mm

TRACTOR - - MODEL NUMBER CN1842STA
STEERING ASSEMBLY



steering_pl.it_47

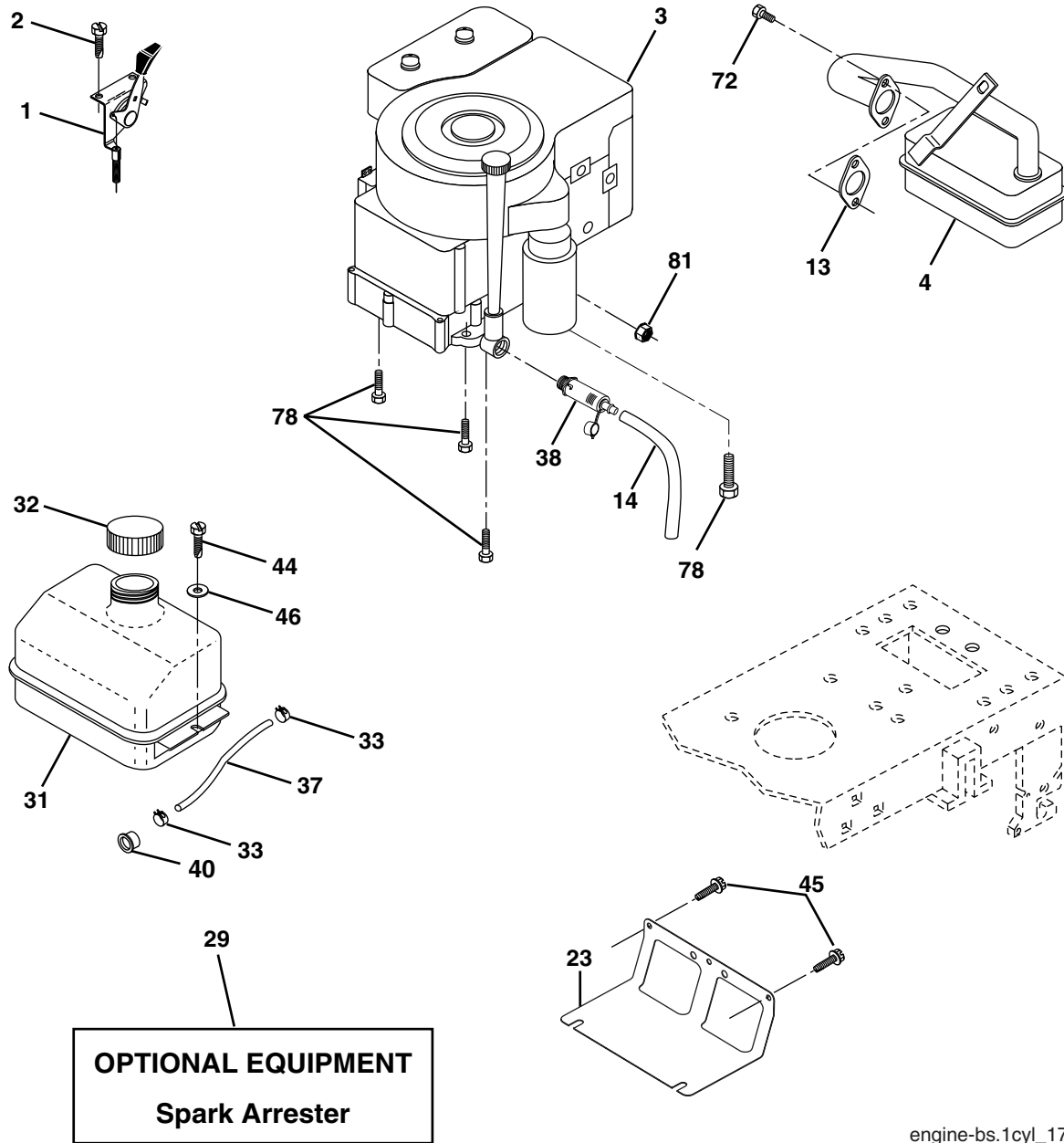
TRACTOR - - MODEL NUMBER CN1842STA
STEERING ASSEMBLY

KEY NO.	PART NO.	DESCRIPTION
1	139768	Steering Wheel
2	184706	Axle Assembly
3	169840	Spindle Assembly, L.H.
4	169839	Spindle Assembly, R.H.
5	6266H	Bearing, Race, Thrust, Hardened
6	121748X	Washer 25/32 x 1-5/8 x 16 Ga.
8	12000029	Ring, Klip
10	175121	Draglink
11	10040600	Washer, Lock
12	73940800	Nut Hex Jam Toplock 1/2-20 Unf
13	136518	Spacer Bearing Axle Front
15	145212	Nut, Hex Flange Lock
17	180641	Shaft Assembly, Steering
26	126847X	Bushing, Link, Drag
28	19131416	Washer 13/32 x 7/8 x 16 Ga.
29	17000612	Screw 3/8-16 x 3/4
30	76020412	Pin Cotter
32	130465	Rod, Tie
36	155099	Bushing, Steering
37	152927	Screw
38	140175	Insert, Steering Wheel
39	19182411	Washer 9/16 x 1-1/2 11 Ga.
40	73540600	Nut Crownlock 3/8-24
41	186737	Adaptor, Steering Wheel
42	145054X428	Boot, Steering Shaft
43	121749X	Washer 25/32 x 1-1/4 x 16 Ga.
44	180640	Extension Shaft Steering
46	184946X505	Cap, Spindle
51	73540400	Nut Crownlock 1/4-28
54	71130420	Bolt Hex 1/4-28 UNF x 1-1/4 Gr. 8
65	160367	Spacer Brace Axle
67	72110618	Bolt RDHD Sqnk 3/8-16 x 2-1/4
68	169827	Axle, Brace
71	175146	Steering Asm.
82	169835	Bracket Susp. Chassis Front
87	173966	Washer Flat
88	175118	Bolt Shoulder 7/16-20 Unc
91	175553	Clip Steering
95	188967	Washer Hardened

NOTE: All component dimensions given in U.S. inches
1 inch = 25.4 mm

TRACTOR - - MODEL NUMBER CN1842STA

ENGINE



OPTIONAL EQUIPMENT
Spark Arrester

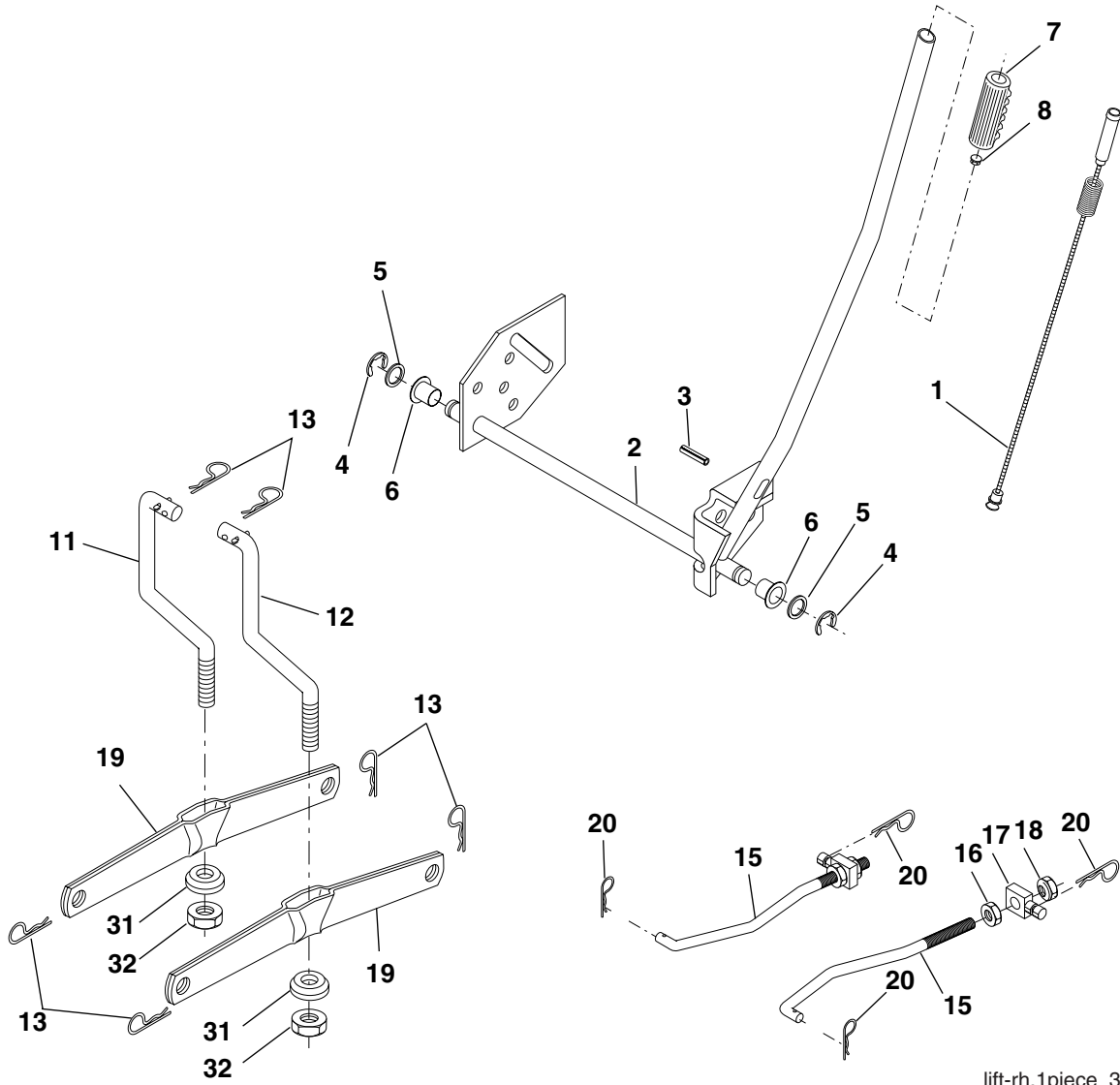
engine-bs.1cyl_17

KEY NO.	PART NO.	DESCRIPTION
1	170551	Control, Throttle
2	17720408	Screw, Hex Head, Thread Cutting 1/4-20 x 1/2
3	-----	Engine, B&S Model 31H777 (Order parts from engine manufacture)
4	137352	Muffler
13	165291	Gasket
14	148456	Tube Drain Oil Easy
23	169837	Shield Brn/Dbt Guard
29	137180	Arrester, Spark
31	184900	Tank, Fuel
32	140527	Cap Assembly, Fuel
33	123487X	Clamp, Hose

KEY NO.	PART NO.	DESCRIPTION
37	137040	Line, Fuel
38	181654	Plug Drain Oil Easy
40	124028X	Bushing, Snap, Fuel Line
44	17670412	Screw, Hex Washer Head, Thd., Roll. 1/4-20 x 3/4
45	17000612	Screw Hxwsh Thdr 3/8-16 x 3/4
46	19091416	Washer 9/32 x 7/8 x 16 Ga
72	183906	Screw Socket Head 5/16-18 x 1
78	17060620	Screw 3/8-16 x 1-1/4
81	73510400	Nut Keps Hex 1/4-20 Unc

NOTE: All component dimensions given in U.S. inches
1 inch = 25.4 mm

TRACTOR - - MODEL NUMBER CN1842STA
LIFT ASSEMBLY



lift-rh.1piece_3

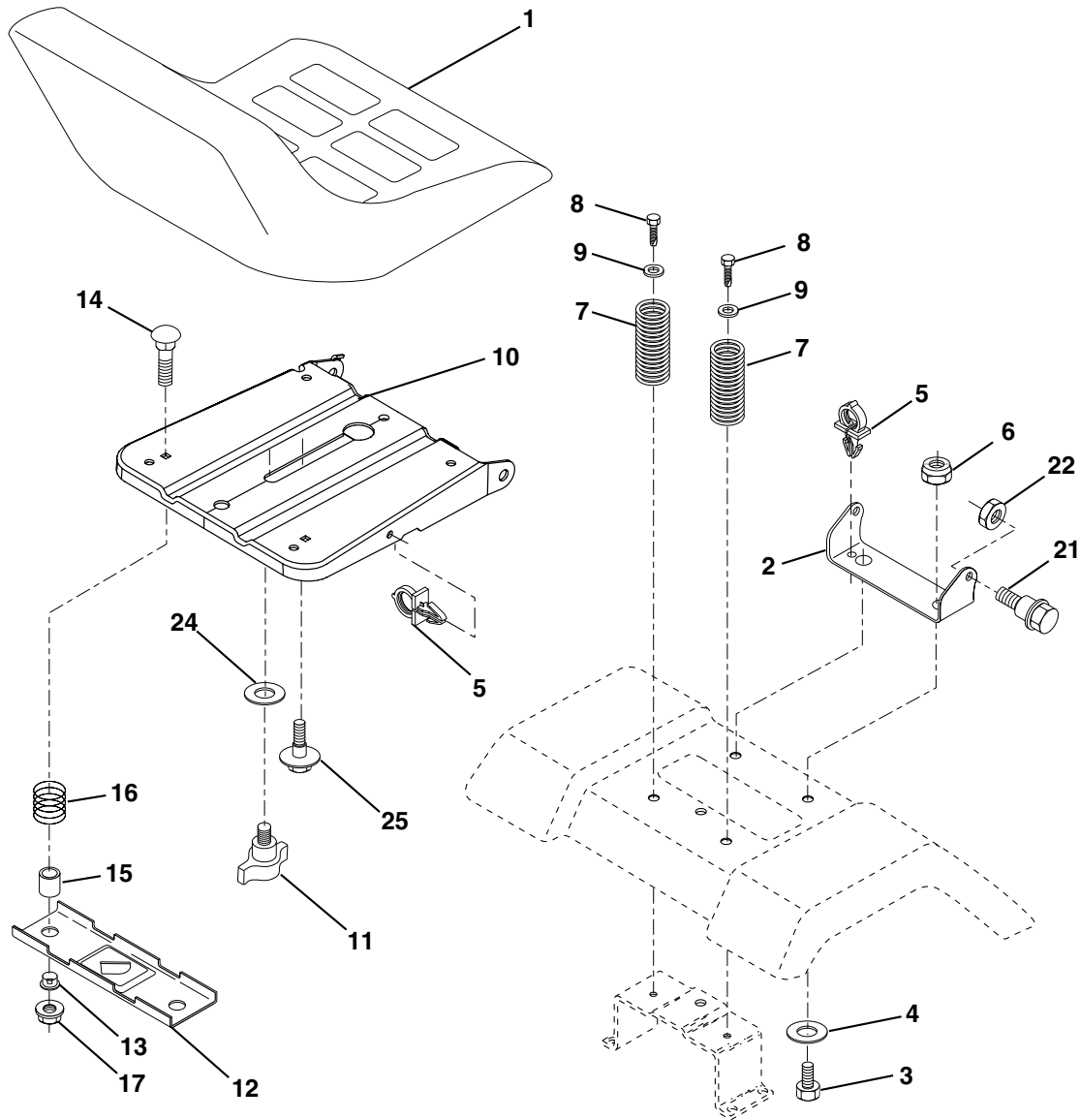
KEY NO.	PART NO.	DESCRIPTION
1	159461	Washer Asm Inner Spring W/Plunger
2	159476	Shaft Asm. Lift
3	188822	Pin Groove
4	12000002	E Ring #5133-62
5	19211621	Washer 21/32 x 1 x 21 Ga.
6	120183X	Bearing Nylon
7	125631X	Grip Handle Fluted
8	124526X	Button Plunger
11	139865	Link Asm Lift L.H.
12	139866	Link Asm Lift R.H.

KEY NO.	PART NO.	DESCRIPTION
13	4939M	Retainer Spring
15	173288	Link Front
16	73350800	Nut Jam Hex 1/2-13 Unc
17	175689	Trunnion Blk Zinc
18	73800800	Nut Lock w/Wsh 1/2-13 Unc
19	139868	Arm Suspension Mower
20	163552	Retainer Spring
31	169865	Bearing, Pvt. Lift
32	73540600	Nut Crownlock 3/8-24

NOTE: All component dimensions given in U.S. inches
 1 inch = 25.4 mm

TRACTOR - - MODEL NUMBER CN1842STA

SEAT ASSEMBLY



seat_lt.knob_13

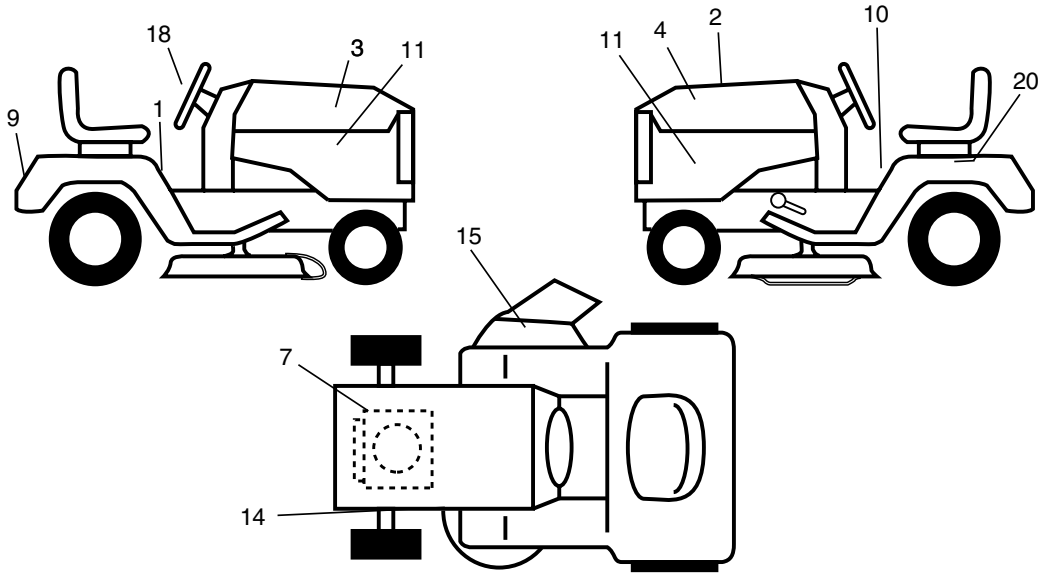
KEY PART NO.	NO.	DESCRIPTION
1	188712	Seat
2	140551	Bracket Pivot Seat
3	71110616	Bolt Fin Hex 3/8-16 Unc x 1
4	19131610	Washer 13/32 x 3/4 x 10 Ga
5	145006	Clip Push In Hinged
6	73800600	Nut Hex Lock w/Ins 3/8-16 Unc
7	124181X	Spring Seat Cprsn 2 250 Blk Zi
8	17000616	Screw 3/8-16 x 1
9	19131614	Washer 13/32 x 1 x 14 Ga
10	182493	Pan Seat
11	166369	Knob Seat Adj Wingnut
12	121246X	Bracket Pnt Mounting Switch

KEY PART NO.	NO.	DESCRIPTION
13	121248X	Bushing Snap Blk Nyl 50 Id
14	72050412	Bolt Rdhd Sht Nk 1/4-20 x 1-1/2
15	134300	Spacer Split 28 x 96 Zinc
16	121250X	Spring Cprsn 1 27 Blk Pnt
17	123976X	Nut Lock 1/4 Lge Flg Gr 5 Zinc
21	171852	Bolt Shoulder 5/16-18 Unc-2A
22	73800500	Nut Hex Lock w/Ins 5/16-18
24	19171912	Washer 17/32 x 1-3/16 x12 Ga.
25	127018X	Bolt Shoulder

NOTE: All component dimensions given in U.S. inches
1 inch = 25.4 mm

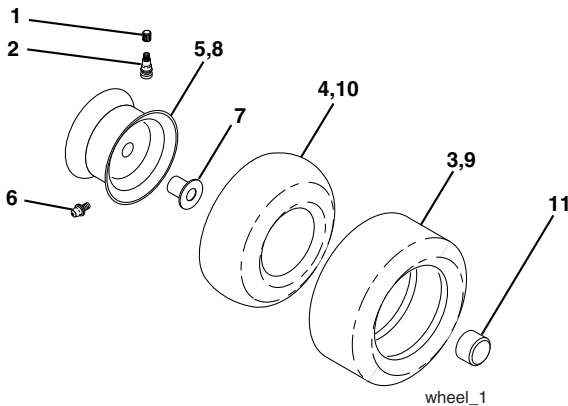
TRACTOR - - MODEL NUMBER CN1842STA

DECALS



KEY PART NO.	NO.	DESCRIPTION	KEY PART NO.	NO.	DESCRIPTION
1	156368	Decal, Oper. Instr.	15	179128	Decal, Deck B 42"
2	191132	Decal, Replacement	18	191619	Decal, Steering
3	185807	Decal, Hood, R.H.	20	140055	Decal, Battery Dngr/Psn Eng
4	185808	Decal, Hood, L.H.	--	138311	Decal, Lift Handle
7	189508	Decal, HP Engine	--	184310X428	Pad Footrest LH STL
9	172740	Decal, Fender	--	184311X428	Pad Footrest RH STL
10	157141	Decal, Fender Danger	--	191603	Owner's Manual, English
11	191631	Decal, Hood Side	--	191604	Owner's Manual, Spanish
14	160396	Decal, V-Belt Schematic			

WHEELS & TIRES

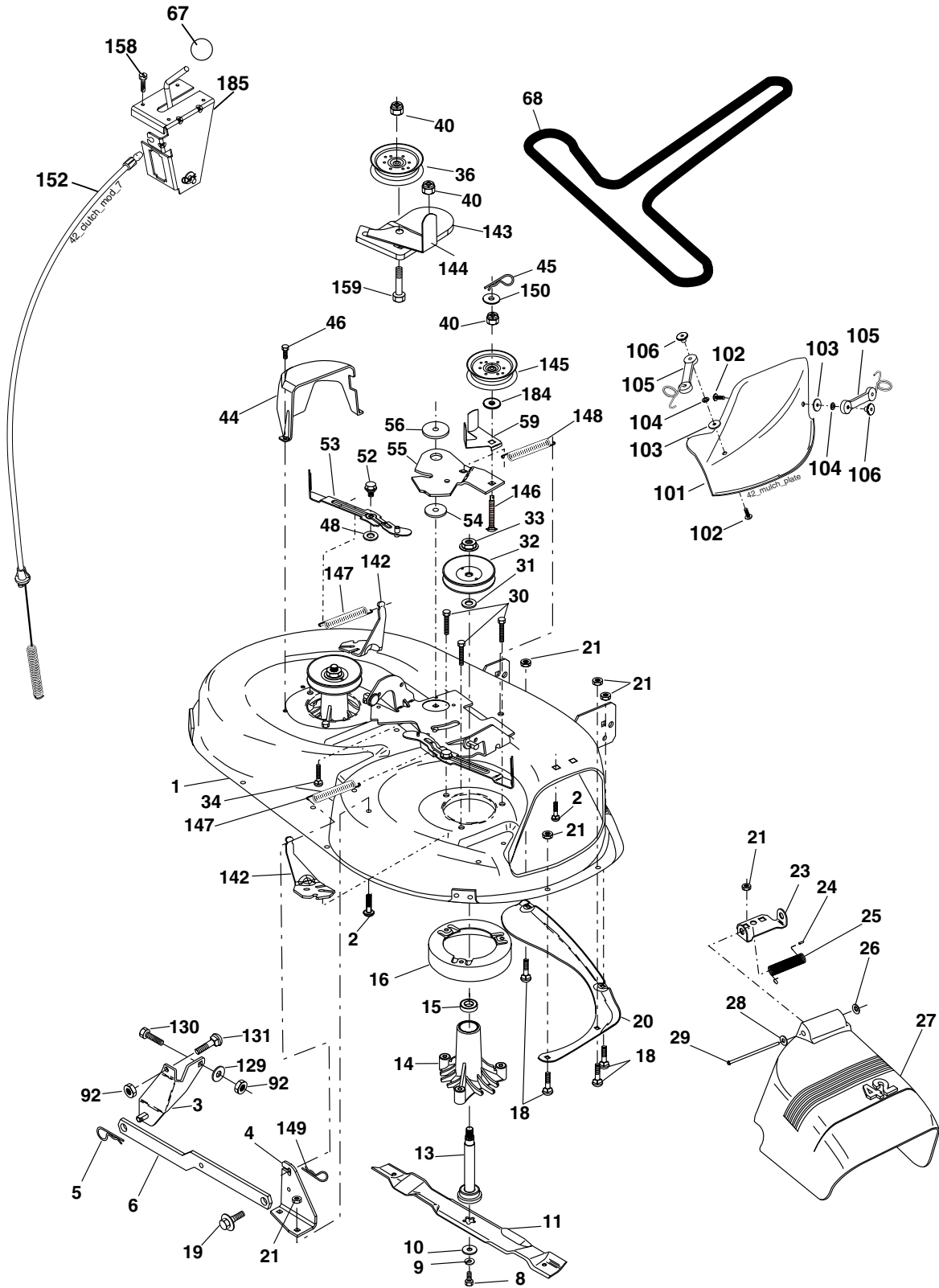


KEY PART NO.	NO.	DESCRIPTION
1	59192	Cap Valve Tire
2	65139	Stem Valve
3	106222X	Tire F Ts 15 x 6 0 - 6 Service
4	59904	Tube Inner Front #35060
5	106732X421	Rim Asm 6" front Service
6	278H	Fitting Grease
7	9040H	Bearing Flange
8	106108X421	Rim Asm 8" rear Service
9	106268X	Tire R Ts 18 x 9-8 Service
10	7152J	Tube Rear 9 5 x 8 Service
11	104757X421	Cap Axle
--	144334	Sealant, Tire (10 oz. tube)

NOTE: All component dimensions given in U.S. inches
1 inch = 25.4 mm

TRACTOR -- MODEL NUMBER CN1842STA

MOWER DECK



42_D_man-t-path_stlt_3

TRACTOR - - MODEL NUMBER CN1842STA

MOWER DECK

KEY NO.	PART NO.	DESCRIPTION	KEY NO.	PART NO.	DESCRIPTION
1	165892	Mower Deck Assembly, 42"	52	139888	Bolt, Shoulder 5/16-18 Unc
2	72140506	Bolt	53	184907	Arm Assembly, Pad, Brake
3	138017	Bracket Assembly, Sway Bar, Front	54	178515	Washer, Hardened
4	165460	Bracket Sway Bar 38/42" Deck	55	155046	Arm, Idler
5	4939M	Retainer Spring	56	122052X	Spacer, Retainer
6	178024	Bar Sway Deck	59	173442	Guard, TUV Idler
8	850857	Bolt, Hex 3/8-24 x 1.25 Gr. 8	67	106932X	Knob
9	10030600	Washer, Lock	68	144959	V-Belt
10	140296	Washer, Hardened (The following blades are available)	92	73800600	Nut
11	134149	Blade, 42" Mulching Std (For mulching mowers only)	101	136420	Mulcher Cover
--	139775	Blade, 42" Mulching Premium (For better wear when mulching)	102	71081010	Screw
--	138971	Blade, 42" Hi-Lift (For bagging or discharging)	103	19061216	Washer #10
13	137645	Shaft Assembly, Mandrel, Vented	104	10071000	Washer, Lock
14	128774	Housing, Mandrel, Vented	105	160793	Latch Assembly, Bagger
15	110485X	Bearing, Ball, Mandrel	106	2029J	Nut, Weld
16	174493	Stripper, Vented Mower Deck	129	19131312	Washer 13/32 x 13/16 x 12 Ga.
18	72140505	Bolt, Carriage 5/16-18 x 5/8	130	74780616	Bolt, Fin Hex 3/8-16 Unc x 1 Gr. 5
19	132827	Bolt, Shoulder	131	72140608	Bolt, Rdhd Sqnk 3/8-16 Unc x1
20	159770	Baffle, Vortex	142	165890	Arm Spring Brake Mower
21	73680500	Nut Crownlock 5/16-18 Unc	143	157109	Bracket Arm Idler 42"
23	177563	Bracket, Deflector	144	173441	Keeper Belt 42" Clutch Cable
24	105304X	Cap, Sleeve	145	173437	Pulley Idler Flat
25	123713X	Spring, Torsion, Deflector	146	173443	Bolt Carriage Idler
26	110452X	Nut, Push	147	131335	Spring Extension
27	130968X428	Shield, Deflector	148	169022	Spring Return Idler
28	19111016	Washer 11/32 x 5/8 x 16 Ga.	149	165898	Retainer Spring Yellow Zinc
29	131491	Rod, Hinge	150	19091210	Washer 9/32 x 3/4 x 10 Ga.
30	173984	Screw Thdrol Washer Head	152	169676	Cable Clutch 42 In
31	187690	Washer, Spacer	158	17720408	Screw Hex Thd Cut 1/4-20 x 1/2
32	173436	Pulley, Mandrel	159	72140614	Bolt Rdhd Sqn 3/8-16 Unc x 3/4
33	178342	Nut, Toplock, Flanged	184	19131410	Washer 13/32 x 7/8 x 10 Ga.
34	72110612	Bolt Carr. Sh 3/8-16 x 1-1/2 Gr. 5	185	188234	Head Asm. Cable Clutch
36	173438	Pulley, Idler, Flat	--	130794	Mandrel Assembly (Includes Housing, Shaft and Shaft Hardware Only - Pulley Not Included)
40	73900600	Nut Crownlock 3/8-16 Unc	--	169583	Replacement Mower, Complete (Std. Deck-Order separately mulcher cover components key nos. 101 - 106)
44	140088	Guard, Mandrel, L.H.			
45	4497H	Retainer			
46	137729	Screw, Thd. Roll 1/4-20 x 5/8			
48	133944	Washer, Hardened			

NOTE: All component dimensions given in U.S. inches
1 inch = 25.4 mm