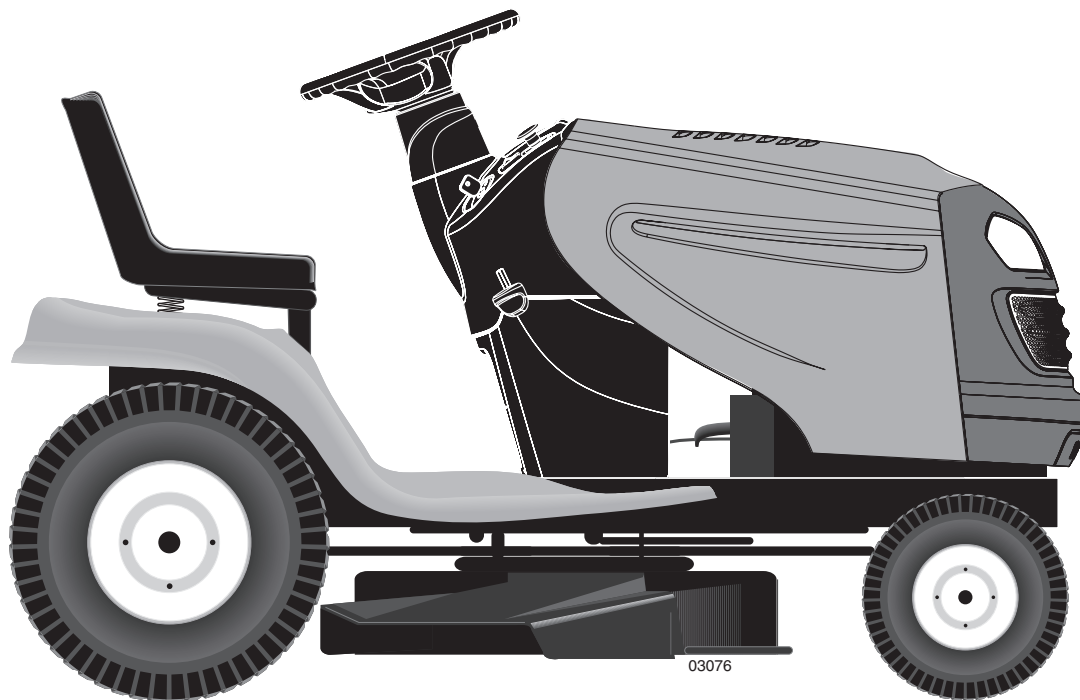


# Poulan PRO



## REPAIR PARTS MANUAL

**MODEL:**

**PB22H46YT**

**LAWN TRACTOR**

**ALWAYS WEAR EYE PROTECTION DURING OPERATION**

Visit our website: [www.poulan-pro.com](http://www.poulan-pro.com)

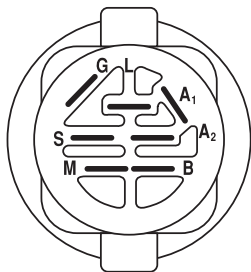
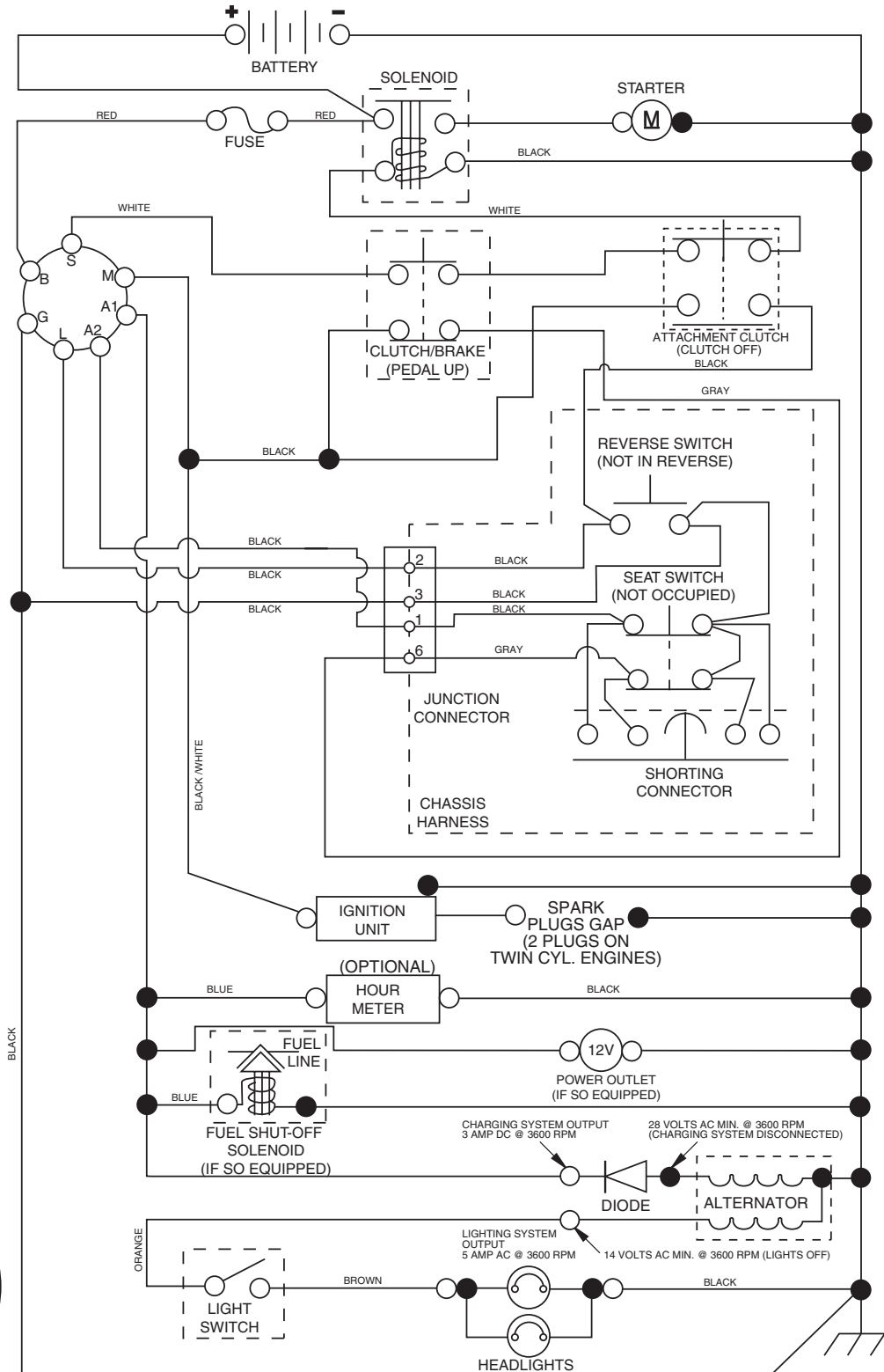


### **WARNING:**

Read this Manual and follow all Warnings and Safety Instructions. Failure to do so can result in serious injury.

# TRACTOR - MODEL NO. PB22H46YT (96042003800), PRODUCT NO. 960 42 00-38 SCHEMATIC

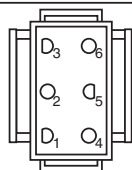
03094-194276\_Manual-Tex



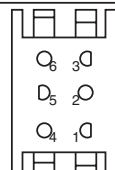
**IGNITION SWITCH**

POSITION	CIRCUIT	"MAKE"
OFF	M+G+A1	
RUN/OVERRIDE	B+A1	
RUN	B+A1	L+A2
START	B + S + A1	

03094



**CHASSIS HARNESS CONNECTOR (MATING SIDE)**



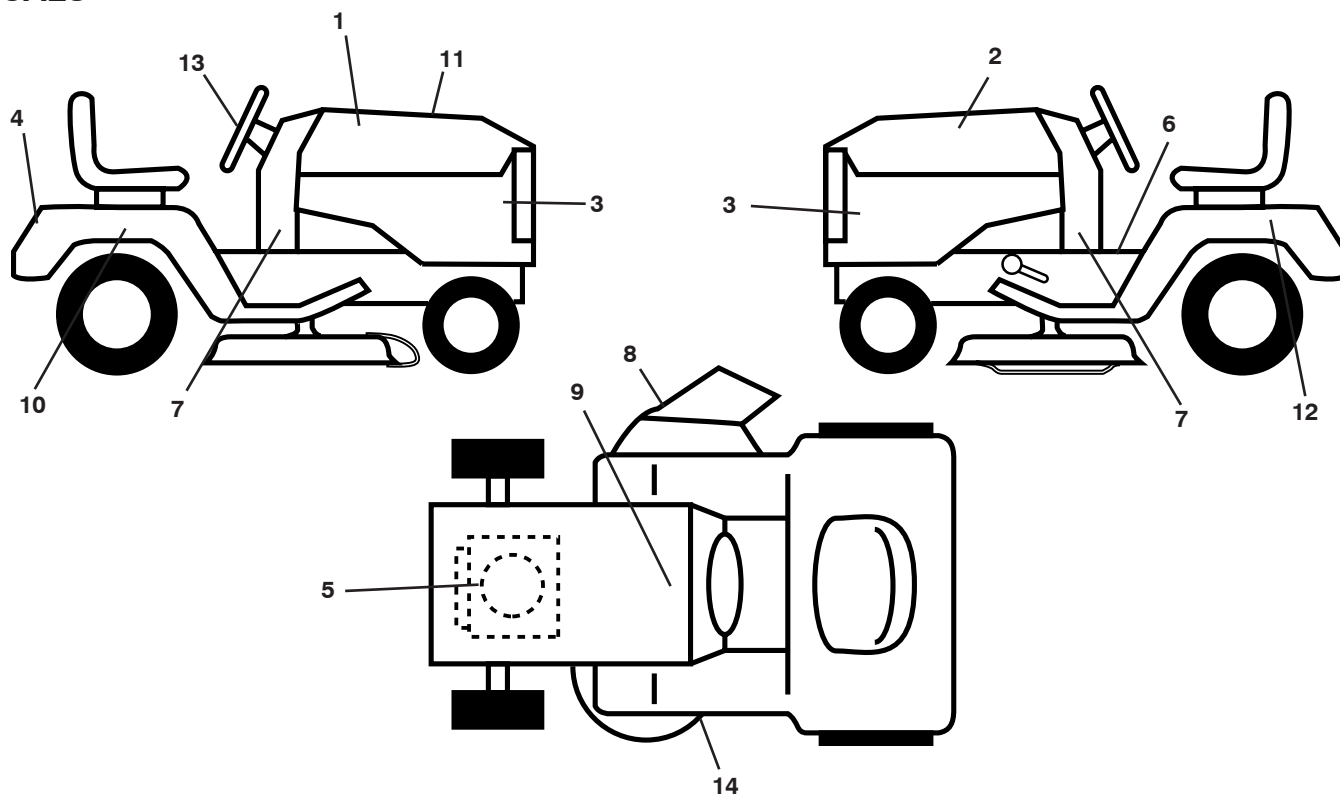
**DASH HARNESS CONNECTOR (MATING SIDE)**

**WIRING INSULATED CLIPS**

**NOTE:** IF WIRING INSULATED CLIPS WERE REMOVED FOR SERVICING OF UNIT, THEY SHOULD BE REPLACED TO PROPERLY SECURE YOUR WIRING.



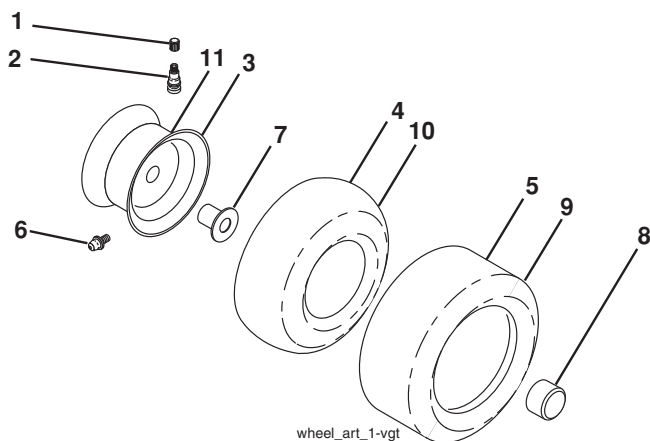
# TRACTOR - MODEL NO. PB22H46YT (96042003800), PRODUCT NO. 960 42 00-38 DECALS



KEY NO.	PART NO.	DESCRIPTION
1	186163	Decal, Hood RH
2	186164	Decal, Hood LH
3	408795	Decal, Side Panel
4	172740	Decal, Fender
5	408840	Decal, Engine
6	402104	Decal, Fender Operator's
7	411178	Decal, Lower Dash
8	170563	Decal, Warning
9	145005	Decal, Battery Dnge/Poi
10	408948	Decal, Fender Side RH

KEY NO.	PART NO.	DESCRIPTION
11	411143	Decal, Replacement
12	408949	Decal, Fender Side LH
13	172743	Decal, Steering Wheel
14	160396	Decal, Mower Schematic
--	400981X428	Pad, Footrest, RH
--	166960	Decal, Bypass
--	193226X428	Pad, Footrest, LH
--	411259	Manual, Operator's (Eng/French)
--	411260	Manual, Parts

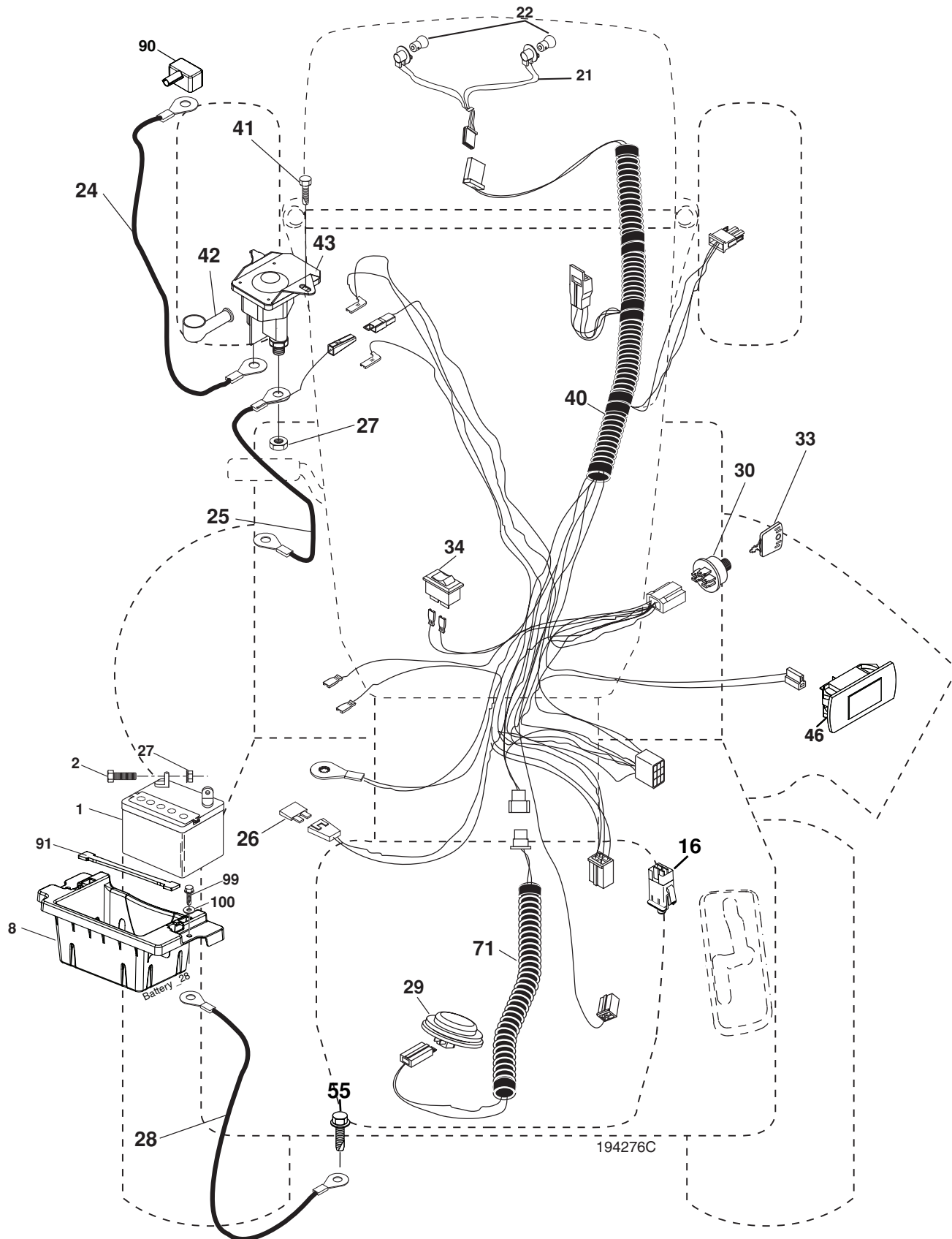
## WHEELS AND TIRES



KEY NO.	PART NO.	DESCRIPTION
1	59192	Cap, Valve, Tire
2	65139	Stem, Valve
3	106732X421	Rim Assembly, Front
4	59904	Tube, Front
5	106222X	Tire, Front
6	278H	Fitting, Grease
7	9040H	Bearing, Flange
8	104757X421	Cap, Axle (Front Wheel Only)
9	138468	Tire, Rear
10	7152J	Tube, Rear
11	106108X421	Rim Assembly, Rear
--	144334	Sealant, Tire (10 oz. Tube)

**NOTE:** All component dimensions given in U.S. inches  
1 inch = 25.4 mm

**TRACTOR - MODEL NO. PB22H46YT (96042003800), PRODUCT NO. 960 42 00-38  
ELECTRICAL**

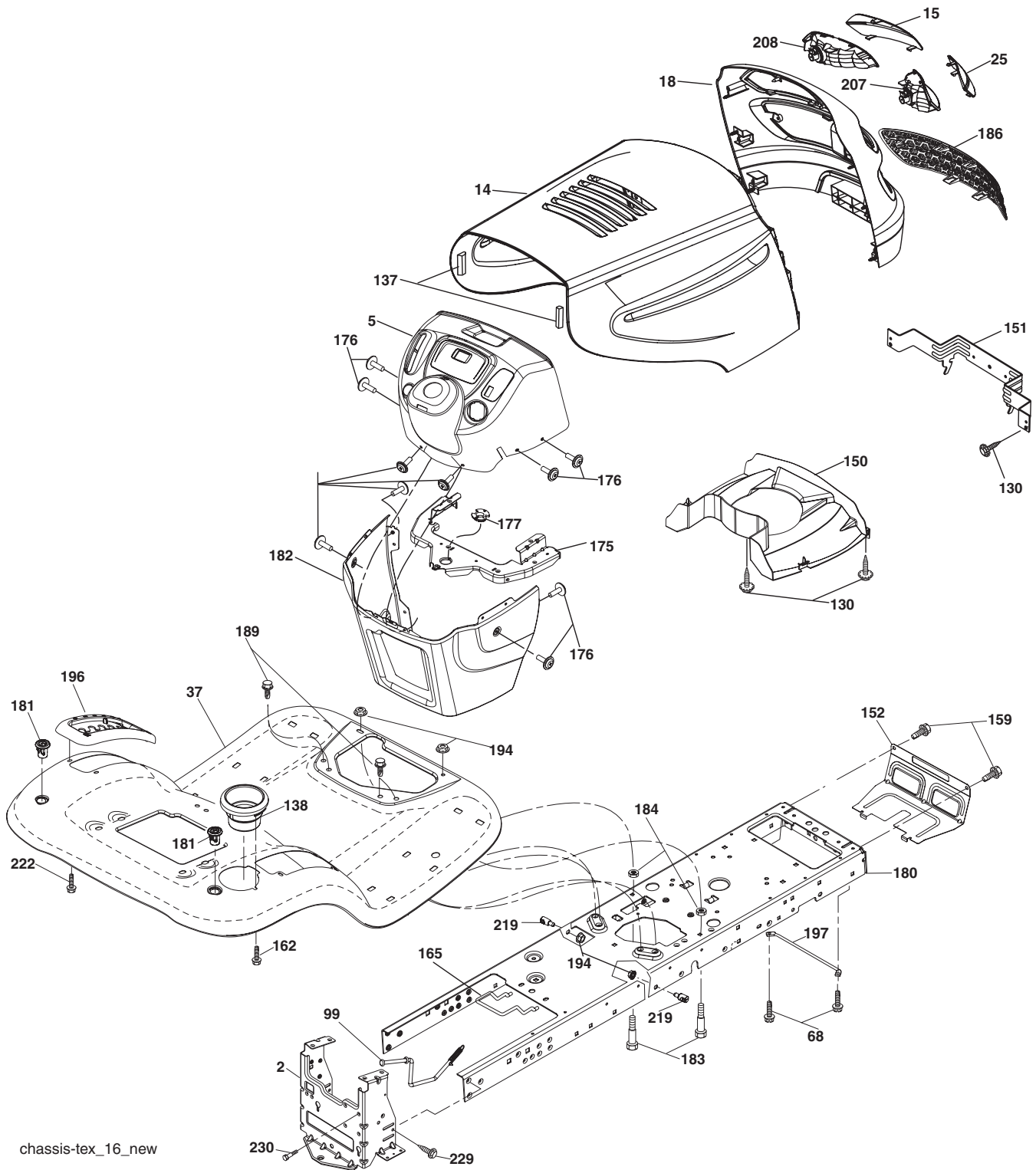


**TRACTOR - MODEL NO. PB22H46YT (96042003800), PRODUCT NO. 960 42 00-38  
ELECTRICAL**

<b>KEY NO.</b>	<b>PART NO.</b>	<b>DESCRIPTION</b>
1	144927	Battery
2	74760412	Bolt Hex Head 1/4-20 x 3/4
8	186491	Box Battery
16	176138	Switch Interlock Push-In
21	183759	Harness Socket Light W/4152J
22	4152J	Bulb Light
24	400253	Cable Battery
25	401662	Cable Starter
26	175158	Fuse
27	73510400	Nut Keps Hex 1/4-20 unc
28	145491	Cable, Ground
29	401545	Switch, Seat
30	193350	Switch, Ign
33	140401	Key, Ignition
34	110712X	Switch Light / Reset
40	194276	Harness Ign.
41	17720408	Screw Thd Cut 1/4-20 x 1/2
42	131563	Cover, Terminal
43	192507	Solenoid
46	401763	Gauge Hourmeter
55	17060512	Screw Thdrol 5/16-18 x 3/4 TYTT
71	401098	Harness Ign. Dash
90	180449	Cover Terminal Battery
91	190270	Strap Battery Mount Front
99	17670412	Screw Hexwsh Thdrol 1/4-20 x 3/4
100	19091416	Washer 9/32 x 7/8 x 16 Ga.

**NOTE:** All component dimensions given in U.S. inches  
1 inch = 25.4 mm

**TRACTOR - MODEL NO. PB22H46YT (96042003800), PRODUCT NO. 960 42 00-38  
CHASSIS**



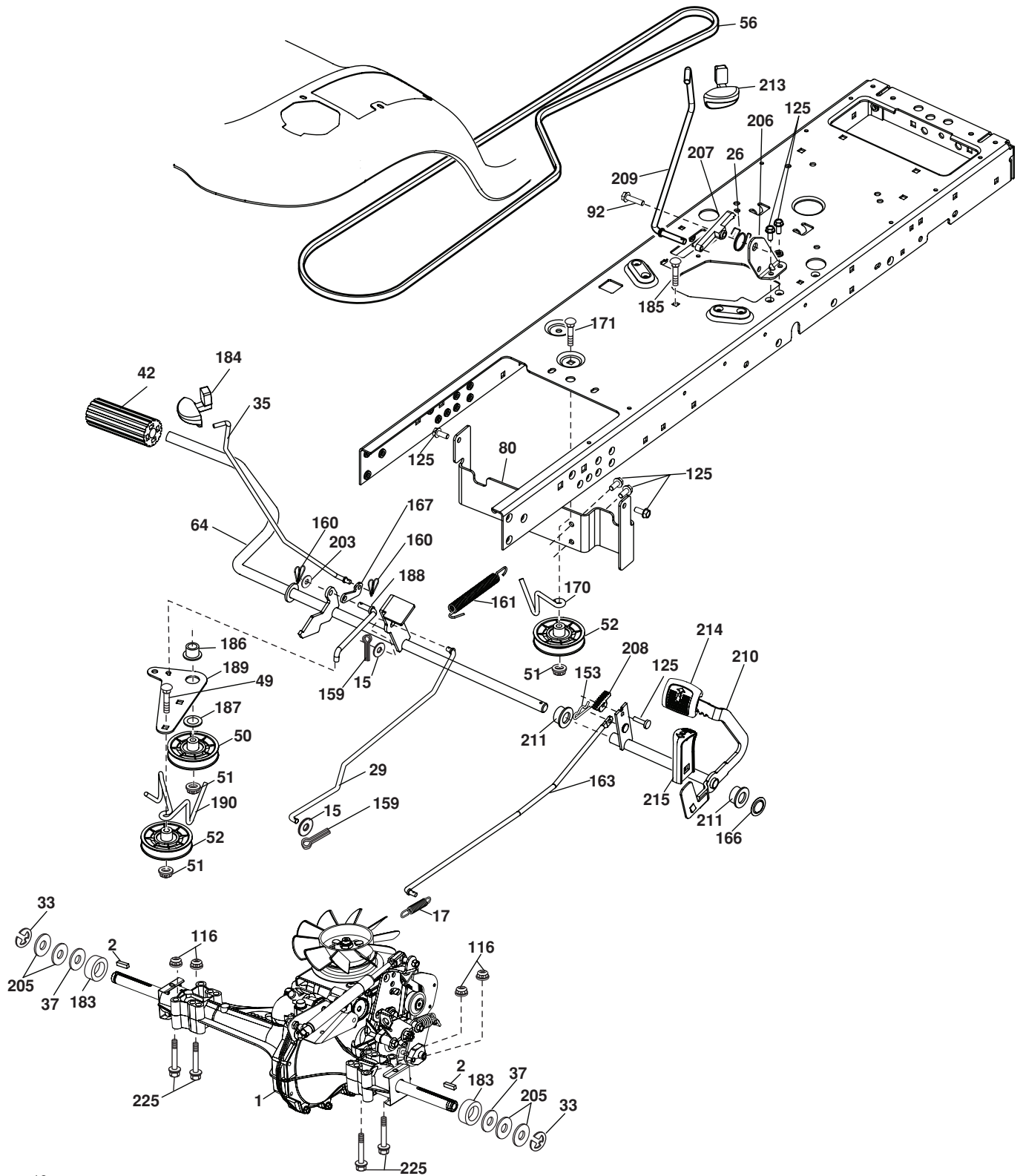
chassis-tex\_16\_new

**TRACTOR - MODEL NO. PB22H46YT (96042003800), PRODUCT NO. 960 42 00-38  
CHASSIS**

<b>KEY NO.</b>	<b>PART NO.</b>	<b>DESCRIPTION</b>
2	194263	Drawbar
5	199646X428	Dash
14	183393X428	Hood
15	183834X599	Lens Grille LH
18	183828	Grille (Included Key #'s 15,25,186,207,208)
25	183835X599	Lens Grille RH
37	401120	Fender
68	17490508	Screw THDROL 5/16-18 x 1/2
99	405092	Rod Bypass Asm
130	191611	Screw 10 x 3/4 Single Lead-Hex
137	184921	Bumper Hood
138	193224X428	Cupholder
150	189350	Duct Heat Hood
151	407807	Bracket Pivot
152	194329	Shield Browning/Debris
159	17000612	Screw Hexwsh Thdrol 3/8-16 x 3/4
162	142432	Screw Hex Wsh Hi-Lo 1/4 x 1/2 UNC
165	194330	Bracket Support Tank
175	193243	Crossmember
176	400776	Screw 10-24 x 5/8 Wshd Qdrx
177	195227	Bushing Steering
180	194260	Chassis
181	193102X428	Bushing Mtg. Fender Crgo.
182	193057	Dash Lower
183	74780520	Bolt Fin Hex 5/16-18 x 1-1/4
184	406129	Spacer Fender
186	183829X428	Insert Grille
189	17060512	Screw 5/16-18 x 3/4
194	73900500	Nut Lock Hex Flange 5/16-18
196	401584	Console Asm. Deck Lift
197	156524	Rod Pivot Chassis
207	183833	Bezel RH
208	183832	Bezel LH
219	195161	Stud Fastener
222	137729	Screw thd Roll 1/4-20 x 5/8
229	17000616	Screw 3/8-16 x 1
230	170165	Bolt Shoulder 5/16-18
--	400796	Plug Cruise/Hook/Phone

**NOTE:** All component dimensions given in U.S. inches  
1 inch = 25.4 mm

**TRACTOR - MODEL NO. PB22H46YT (96042003800), PRODUCT NO. 960 42 00-38  
DRIVE**



drive-tex\_19

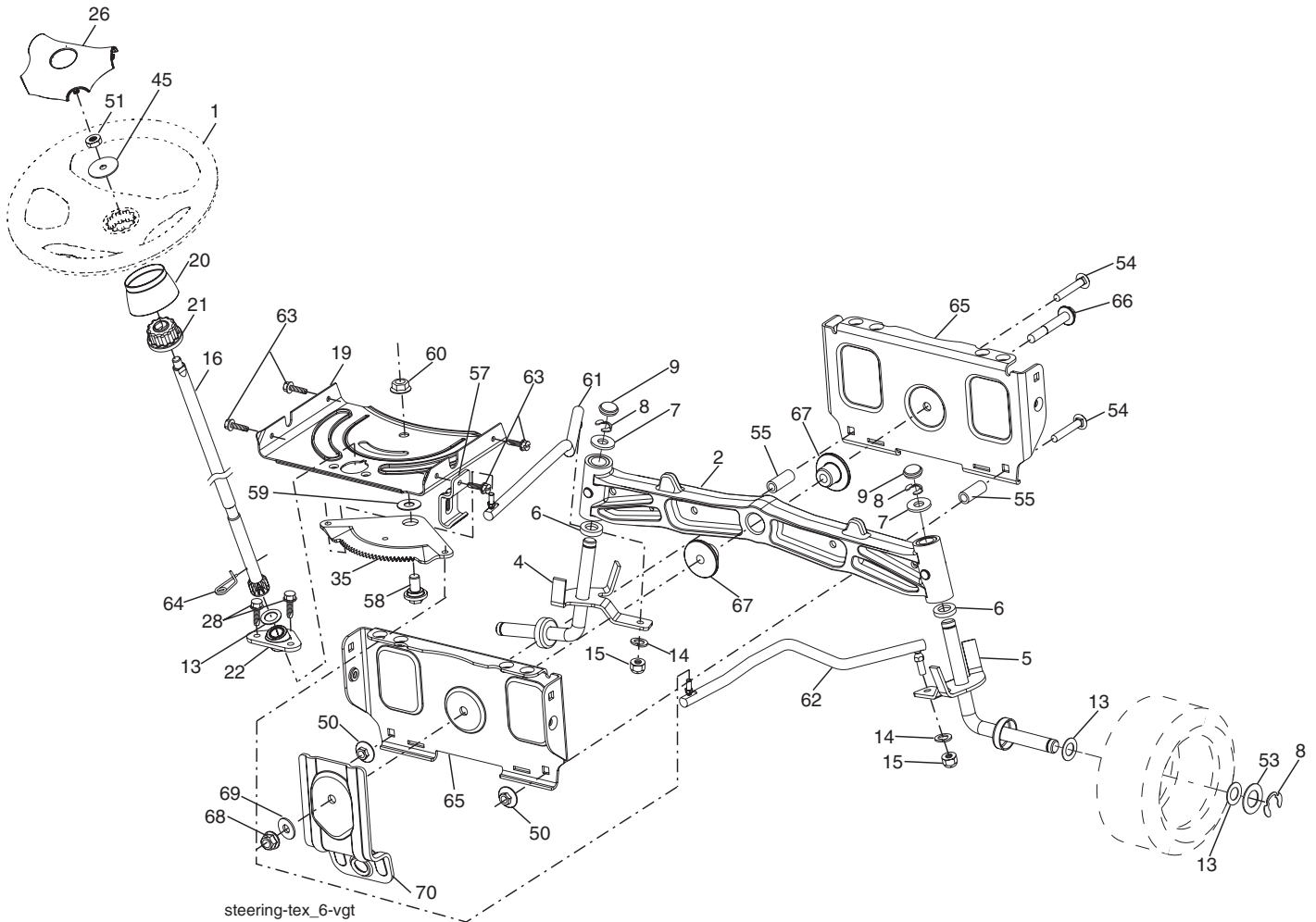


**TRACTOR - MODEL NO. PB22H46YT (96042003800), PRODUCT NO. 960 42 00-38  
DRIVE**

KEY NO.	PART NO.	DESCRIPTION	KEY NO.	PART NO.	DESCRIPTION
1	-----	Transaxle, Hydro HG0510 (Order Parts from Transaxle Manufacturer)	170	194322	Keeper Belt Centerspan
2	123583X	Key	171	72110616	Bolt
15	19131316	Washer 13/32 x 13/16 x 16 Ga.	183	137057	Spacer Axle
17	197296	Spring, Brake	184	198403X505	Handle Parking Brake
26	199679	Spring Return Cruise	185	72110620	Bolt
29	197659	Rod, Brake	186	194321	Spacer Retainer
33	12000001	Ring E	187	19133210	Washer
35	197722	Rod, Brake, Park	188	194323	Link Clutch Ground Drive
37	121749X	Washer 25/32 x 1-1/4 x 16 Ga.	189	194317	Bellcrank Ground Drive
42	8883R	Cover, Foot Pedal	190	194318	Keeper Bellcrank Ground Drive
49	72110614	Bolt	203	19111116	Washer 11/32 x 11/16 x 16 Ga.
50	194327	Pulley Idler Flat	205	121748X	Washer 25/32 x 1-5/8 x 16 Ga.
51	73900600	Lock Nut 3/8-16	206	197867	Bracket Mount Latch Cruise
52	194326	Idler V-Groove 910" Offset	207	197868	Latch Control Cruise
56	140218	V-Belt, Drive	208	197869	Gear Sector Control Cruise
64	197865	Shaft Asm. Pedal Brake Control	209	400769	Rod Control Cruise
80	400507	Bracket Strap Torque	210	400980	Rockr Asm. Pdeal Control
92	74760520	Bolt Fin Hex 5/16-18 unc x 1.25	211	120183X	Bearing Nylon
116	73900500	Nut Lock Hex Flange 5/16-18	213	400799 x428	Knob control Cruise
125	17000512	Screw 5/16-18 x 3/4	214	197302 x428	Pad Pedal Forward
153	4497H	Retainer Spring	215	197301 x428	Pad Pedal Reverse
159	76020412	Pin Cotter 1/8 x 3/4	225	74490544	Bolt Hex 5/16-18 x 3.75
160	169484	Retainer Clip			
161	195403	Spring, Return, Clutch			
163	199000	Rod Pedal Control			
166	197290	Nut Push .625			
167	405257	Latch Brake Parking			

**NOTE:** All component dimensions given in U.S. inches  
1 inch = 25.4 mm

**TRACTOR - MODEL NO. PB22H46YT (96042003800), PRODUCT NO. 960 42 00-38**  
**STEERING ASSEMBLY**

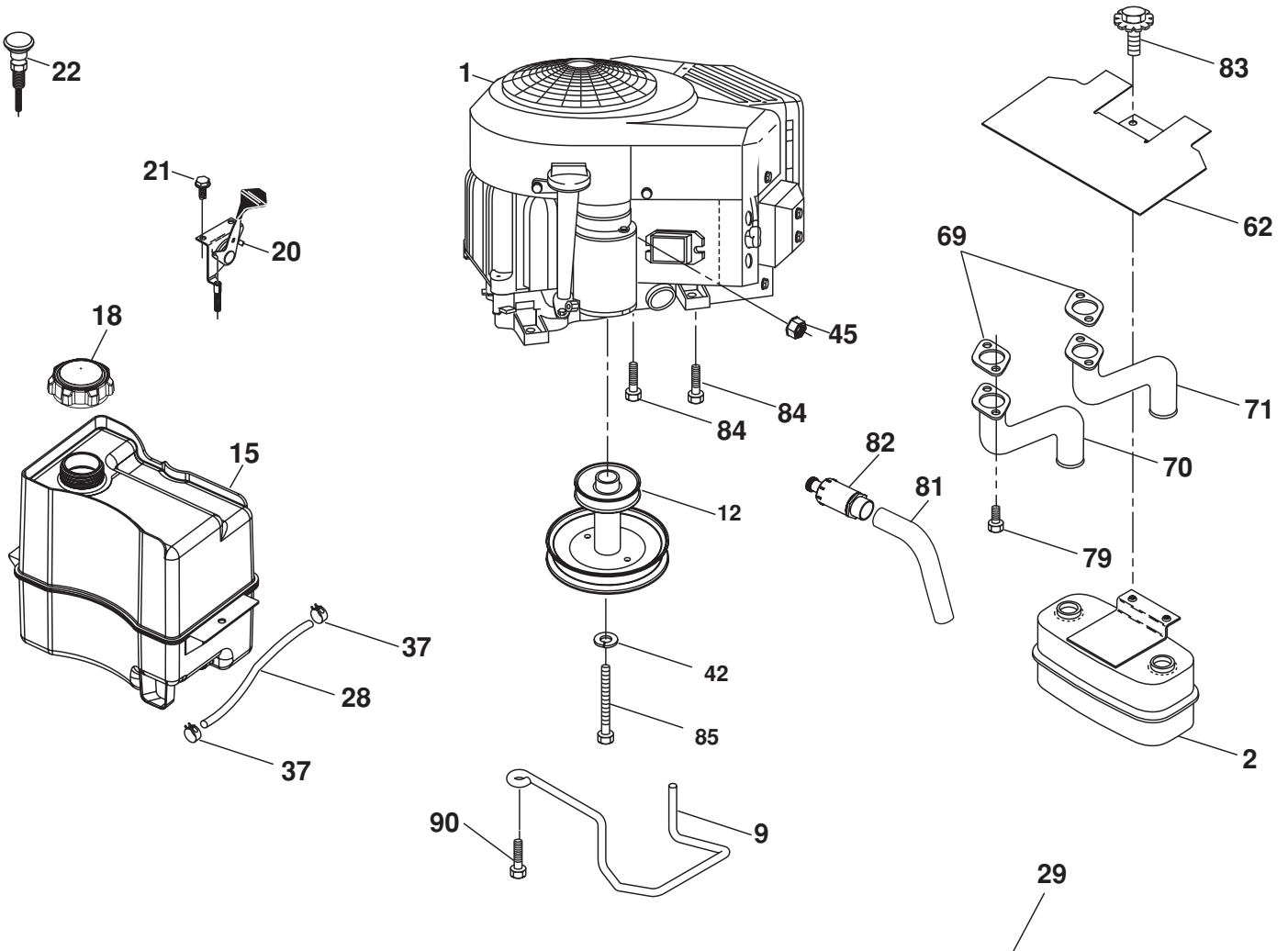


**TRACTOR - MODEL NO. PB22H46YT (96042003800), PRODUCT NO. 960 42 00-38  
STEERING ASSEMBLY**

<b>KEY NO.</b>	<b>PART NO.</b>	<b>DESCRIPTION</b>
1	186093X428	Wheel, Steering
2	195968	Axle Asm., Front
4	403087	Spindle Asm., LH
5	403088	Spindle Asm., RH
6	6266H	Bearing, Race Thrust Harden
7	121748X	Washer 25/32 x 1-5/8 x 16 Ga.
8	12000029	Ring, Klip #T5304-75
9	121232X	Cap, Spindle
13	121749X	Washer 25/32 x 1-1/4 x 16 Ga.
14	10040600	Washer, Lock Hvy Hlcl Spr 3/8
15	73540600	Nut, Crown Lock 3/8-24 unf
16	194746	Shaft Steering
19	194729	Plate Steering
20	199743X428	Boot, Steering
21	186737	Adapter, Wheel Steering
22	194845	Bushing, Strg. Blk
26	186095X428	Insert, Wheel Steering
28	17000612	Screw 3/8-16 x 3/4
35	194732	Gear, Sector Plate
45	19113812	Washer 11/32 x 2-3/8 x 12 Ga.
50	73900600	Nut Lock 3/8-16 UNC
51	73940800	Nut Hex Jam Toplock 1/2-20 unf
53	188967	Washer Hardened .793 x 1.637 x .060
54	74760636	Bolt Hex 3/8-16 UNC x 2-1/4
55	197636	Spacer Brace Axle
57	407465	Bracket Upstop
58	194747	Bolt Shoulder Sector Pivot CFM
59	194748	Washer Thrust Sector Steering
60	73971000	Nut Flange Lock 5/8-11
61	194740	Draglink LH
62	194741	Draglink, RH
63	17000512	Screw 5/16-18 x 3/4
64	199849	Retainer Clip Spring Steering
65	194734	Brace Axle Front
66	71020748	Bolt Hex Fghd 7/16-14 x 3 Serr
67	194737	Bushing PM Front Axle
68	73900700	Nut Lock Flange 7/16-14 Gr. 5
69	199162	Washer 1.5 x .505 x .118
70	196197	Bracket Deck Susp. Front

**NOTE:** All component dimensions given in U.S. inches  
1 inch = 25.4 mm

**TRACTOR - MODEL NO. PB22H46YT (96042003800), PRODUCT NO. 960 42 00-38  
ENGINE**



**SPARK ARRESTER KIT**

engine-tex\_20

# TRACTOR - MODEL NO. PB22H46YT (96042003800), PRODUCT NO. 960 42 00-38 ENGINE

KEY NO.	PART NO.	DESCRIPTION	KEY NO.	PART NO.	DESCRIPTION
1	-----	Engine Briggs Model No. 441777	79	183906	Screw Socket Head 5/16-18 x 1
2	149723	Muffler	81	148456	Tube Drain Oil Easy
9	194319	Keeper Belt Engine	82	181654	Plug Drain Oil
12	405140	Pulley Engine	84	17060620	Screw 3/8-16 x 1-1/4
15	400021	Tank Fuel 3.0	85	173937	Bolt Hex 7/16-20 x 4 x 5 Ga.-1.5
18	195951	Cap Asm	87	171877	Bolt 5/16-18 x 3/4
20	175437X428	Control Throttle	90	17060616	Screw 3/8-16 x 1
21	191611	Screw 10 x 3/4 Single Lead-Hex			
22	187767X428	Control Choke			
28	401135	Fuel Line			
29	137180	Spark Arrester Kit			
37	123487X	Clamp Hose			
42	10040700	Washer Lock 7/16			
45	73510400	Nut Keps Hex 1/4-20 unc			
62	146629	Shield Heat Muffler			
69	165391	Gasket			
70	159955	Exhaust Tube RH			
71	160589	Exhaust Tube LH			

**NOTE:** All component dimensions given in U.S. inches  
1 inch = 25.4 mm

For engine service and replacement parts, call the toll free number for your engine manufacturer listed below:

Briggs & Stratton	1-800-233-3723
Kohler Co.	1-800-544-2444
Tecumseh Products	1-800-558-5402
Honda Engines	1-800-426-7701
Kawasaki	1-949-460-5688

## Engine Power Rating Information

The gross power rating for individual gas engine models is labeled in accordance with SAE (Society of Automotive Engineers) code J11940 (Small Engine Power & Torque Rating Procedure), and rating performance has been obtained and corrected in accordance with SAE J1995 (Revision 2002-5). Actual gross engine power will be lower and is affected by, among other things, ambient operating conditions and engine-to-engine variability. Given both the wide array of products on which engines are placed and the variety of environmental issues applicable to operating the equipment, the gas engine will not develop the rated gross power when used in a given piece of power equipment (actual "on-site" or net horsepower). This difference is due to a variety of factors including, but not limited to, accessories (air cleaner, exhaust, charging, cooling, carburetor, fuel pump, etc.), application limitations, ambient operating conditions (temperature, humidity, altitude), and engine-to-engine variability. Due to manufacturing and capacity limitations, Briggs & Stratton may substitute an engine of higher rated power for this Series engine.

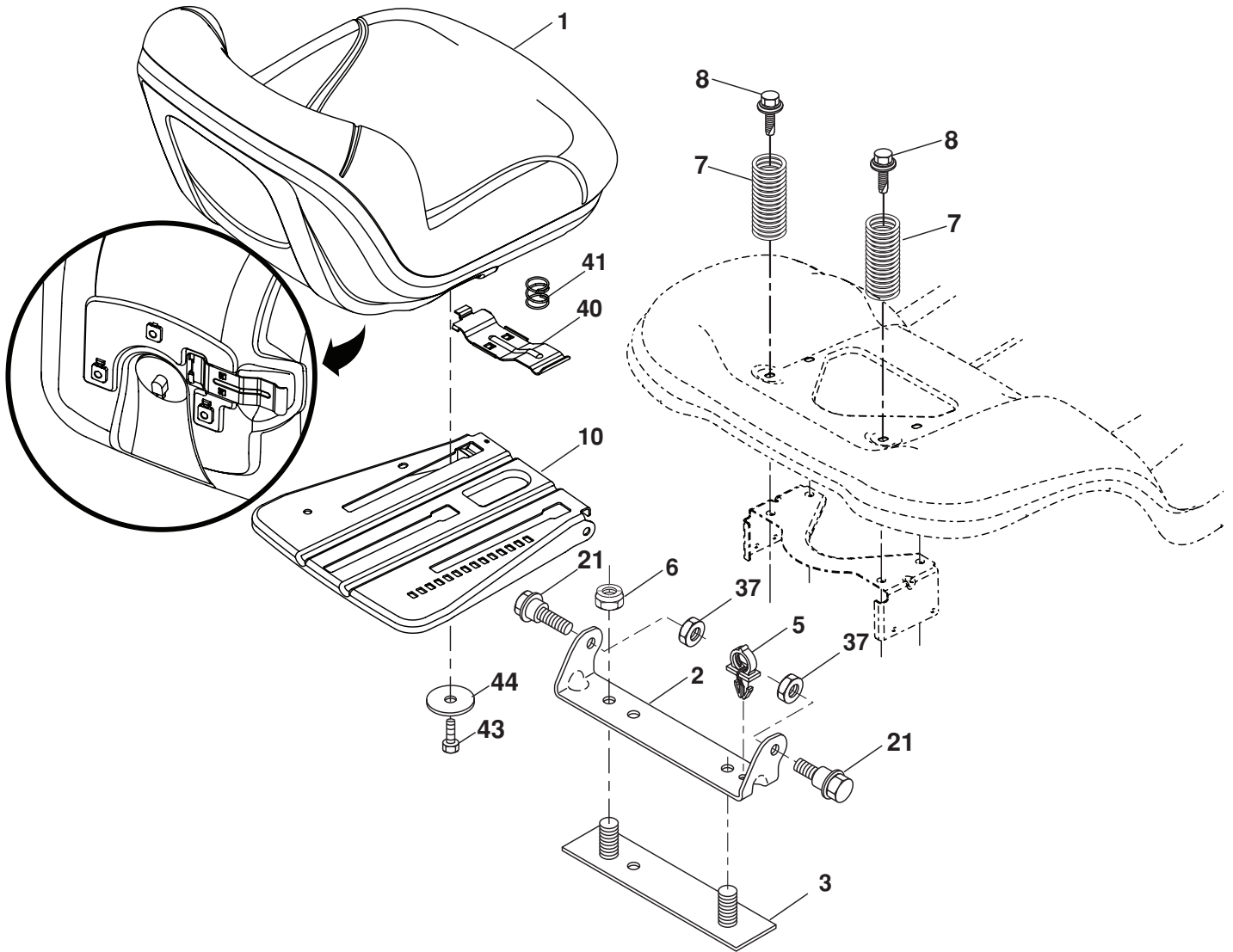


**TRACTOR - MODEL NO. PB22H46YT (96042003800), PRODUCT NO. 960 42 00-38  
MOWER DECK**

<b>KEY PART NO.</b>	<b>PART NO.</b>	<b>DESCRIPTION</b>	<b>KEY PART NO.</b>	<b>PART NO.</b>	<b>DESCRIPTION</b>
1	405049	Mower Housing	63	199478	Arm Brake Mower
2	405506	Cover Mandrel RH	64	405139	Linkage Brake
3	405507	Cover Mandrel LH	67	198398X421	Handle, Clutch Cable
5	4939M	Retainer Spring	68	405143	V-Belt
6	195186	Arm Suspension	69	72140505	Bolt
7	191611	Screw 10 x 3/4 Single Hex	70	199779	Clutch Asm.
8	193003	Bolt/Washer asm 7/16-20 unf	86	197798	Pin Attachment Cable
11	405380	Blade Mower	87	197802	Switch, Interlock Clutch
13	192872	Shaft Assembly, Mandrel	113	17000510	Screw 5/16-18
14	187281	Housing, Mandrel	116	4898H	Bolt, Shoulder
15	110485X	Bearing, Ball, Mandrel	117	188606	Wheel, Gauge
19	196539	Bolt, Shoulder	118	73930600	Nut Centerlock 3/8-16 UNC
21	73680500	Nut	119	19121414	Washer 13/32 x 1-1/4 x 12 Ga.
23	192557	Bracket, Deflector	122	197258	Keeper Belt Eng. LH
24	105304X	Cap, Sleeve	123	197259	Keeper Belt Eng. RH
25	197026	Spring, Torsion, Deflector	144	199204	Keeper Belt
26	110452X	Nut, Push	145	177968	Pulley Idler
27	405357	Shield, Deflector	147	401872	Spring Return
29	131491	Rod, Hinge	149	403187	Retainer Spring
30	173984	Screw Thdrol Rolling Wsh Hd	151	199778	Bracket Mount
31	187690	Washer, Spacer	152	408714	Cable Clutch Manual w/Spr.
32	195945	Pulley, Mandrel	186	197799	Arm Acuator CL Cable
33	400234	Nut, Toplock, Flanged	187	400426	Lever Control CL Cable
34	72110612	Bolt Carr Sh. 3/8-16 x 1-1/2 Gr. 5	188	195161	Stud Fastener
36	196106	Pulley, Idler, Flat	189	73900500	Nut Lock Hex Flange
37	19131316	Washer 13/32 x 13/16 x 16 Ga.	193	197801	Spring Plunger Actuator
38	199189	Keeper Belt LH Mandrel	194	197797	Bearing Control Lever Clutch
40	73900600	Nut, Lock Flg. 3/8-16 unc	195	17000612	Screw 3/8-16 x 3/4
42	198410	Spring Trosion Brake	197	19131312	Washer 13/32 x 13/16 x 12 Ga.
43	197256	Spring Torsion Retainer	198	403149	Baffle Center Front
46	137729	Screw	199	403150	Baffle Front RH
47	197250	Bracket Clutch Cable	200	19133210	Washer 13/32 x 2 x 10 Ga.
55	197249	Arm, Idler			
56	199092	Spacer, Retainer	--	192870	Mandrel Assembly (Includes housing, shaft and shaft hardware only-pulley not included)
57	17000616	Screw Hexwsh Thd 3/8-16 x 1			
59	141043	Guard, Tuv Idler (94)			
60	400132	Arm Brake Mower LH	--	402995	Replacement Mower, Complete
62	74520636	Bolt 3/8-16 UNC x 2-1/4 Gr. 5			

NOTE: All component dimensions given in U.S. inches  
1 inch = 25.4 mm

**TRACTOR - MODEL NO. PB22H46YT (96042003800), PRODUCT NO. 960 42 00-38  
SEAT ASSEMBLY**



seat-tex\_7-vgt

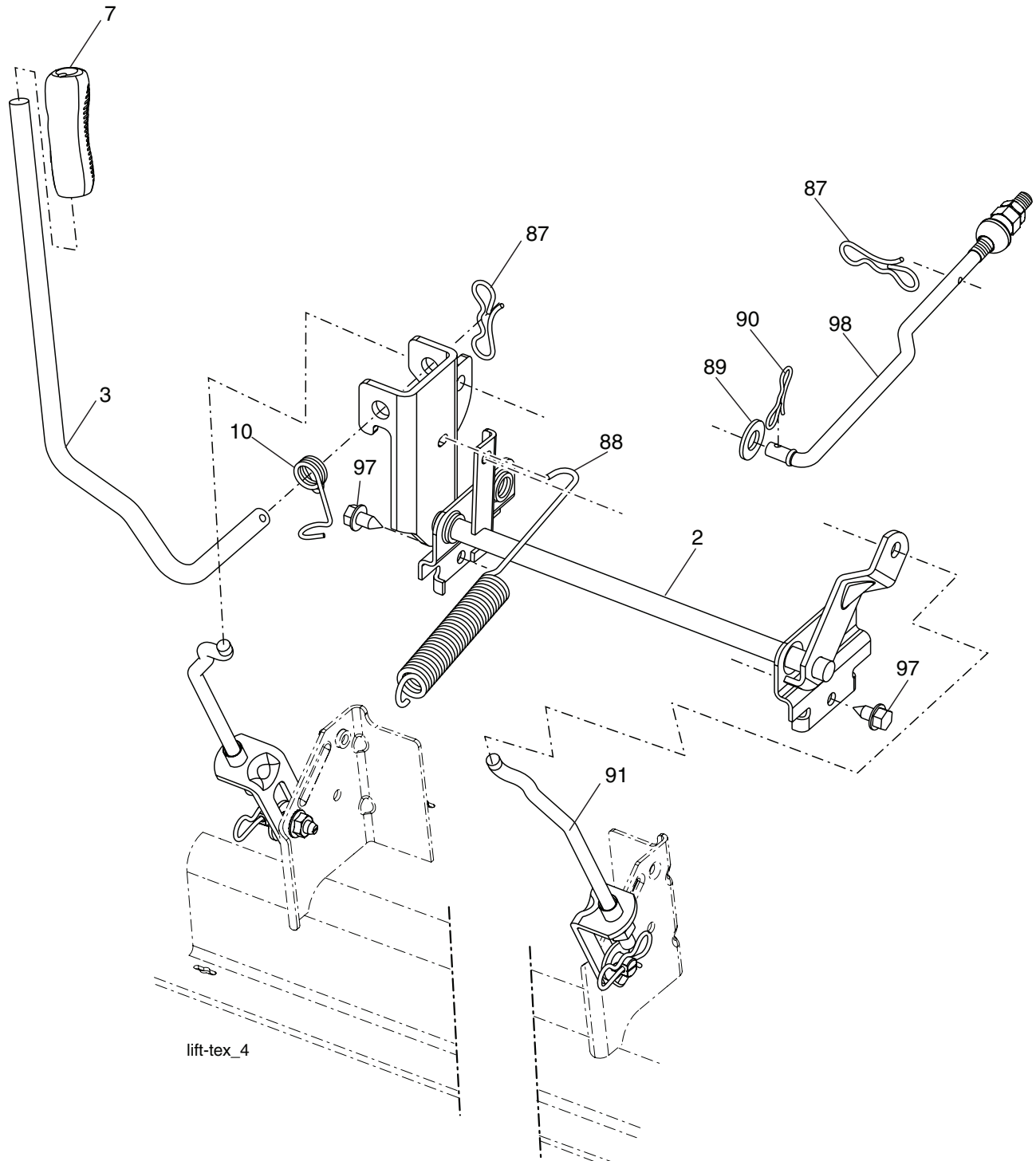
KEY NO.	PART NO.	DESCRIPTION
1	406623	Seat
2	180166	Bracket Pivot Fender
3	140675	Strap, Asm Fender
5	145006	Clip, Push In, Hinged
6	73800600	Nut, Lock W/Ins. 3/8-16 unc
7	124181X	Spring, Seat Cprsn
8	171877	Bolt 5/16-18 uncx 3/4 w/Sems
10	196977	Pan, Seat

KEY NO.	PART NO.	DESCRIPTION
21	171852	Bolt, Shoulder 5/16-18
37	73800500	Nut, Lock 5/16-18 unc
40	197661	Handle Slide Seat
41	198200	Spring Latch Seat
43	74760612	Bolt Fin Hex 3/8-16 UNC x 3/4
44	19133812	Washer 13/32 x 2-3/8 x 12Ga.

**NOTE:** All component dimensions given in U.S. inches  
1 inch = 25.4 mm



**TRACTOR - MODEL NO. PB22H46YT (96042003800), PRODUCT NO. 960 42 00-38  
MOWER LIFT**



lift-tex\_4

KEY NO.	PART NO.	DESCRIPTION
2	195223	Shaft Asm., Lift
3	195231	Lever Asm., Lift Rh
7	196492X421	Grip, Lever
10	196314	Spring Torsion
87	194209	Pin Cotter 7/16 Bow Tie Lock
88	195303	Spring Lift Assist
89	19191912	Washer Clear Zinc

KEY NO.	PART NO.	DESCRIPTION
90	194208	Pin Cotter 5/16 Bow Tie Lock
91	195181	Link Asm. Lift Rear
97	17060612	Screw 3/8-16 x .75 Smgml Tap/ R.Z
98	195270	Link Lift Susp. Front Mower

**NOTE:** All component dimensions given in U.S. inches  
1 inch = 25.4 mm





**Poulan PRO**

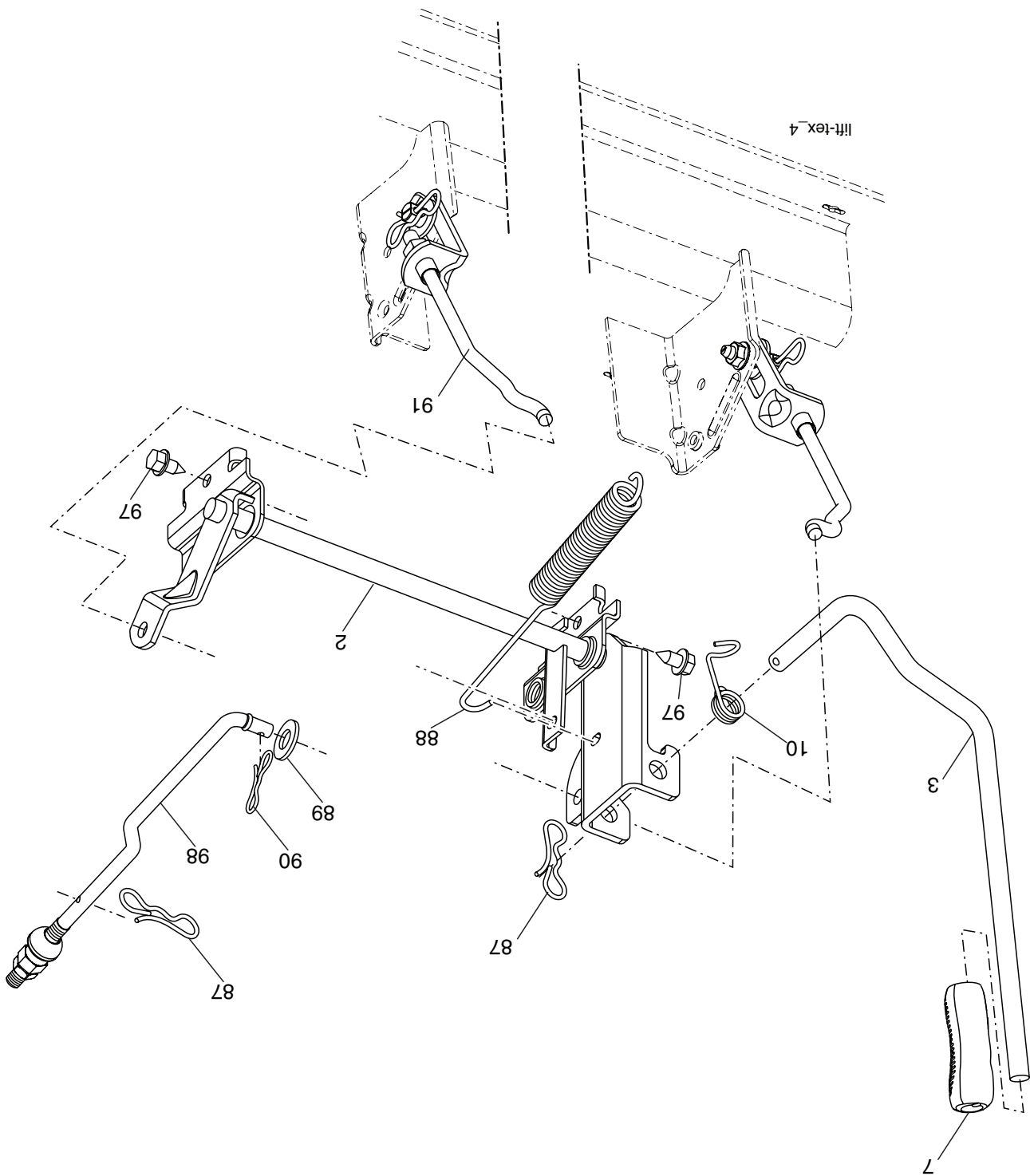
**Poulan PRO**





**TRACTEUR - NO. DE MODELE PB22H46YT (96042003800) NO. DE PRODUIT 960 42 00-38**

**LEVAGE DE TONDEUSE**

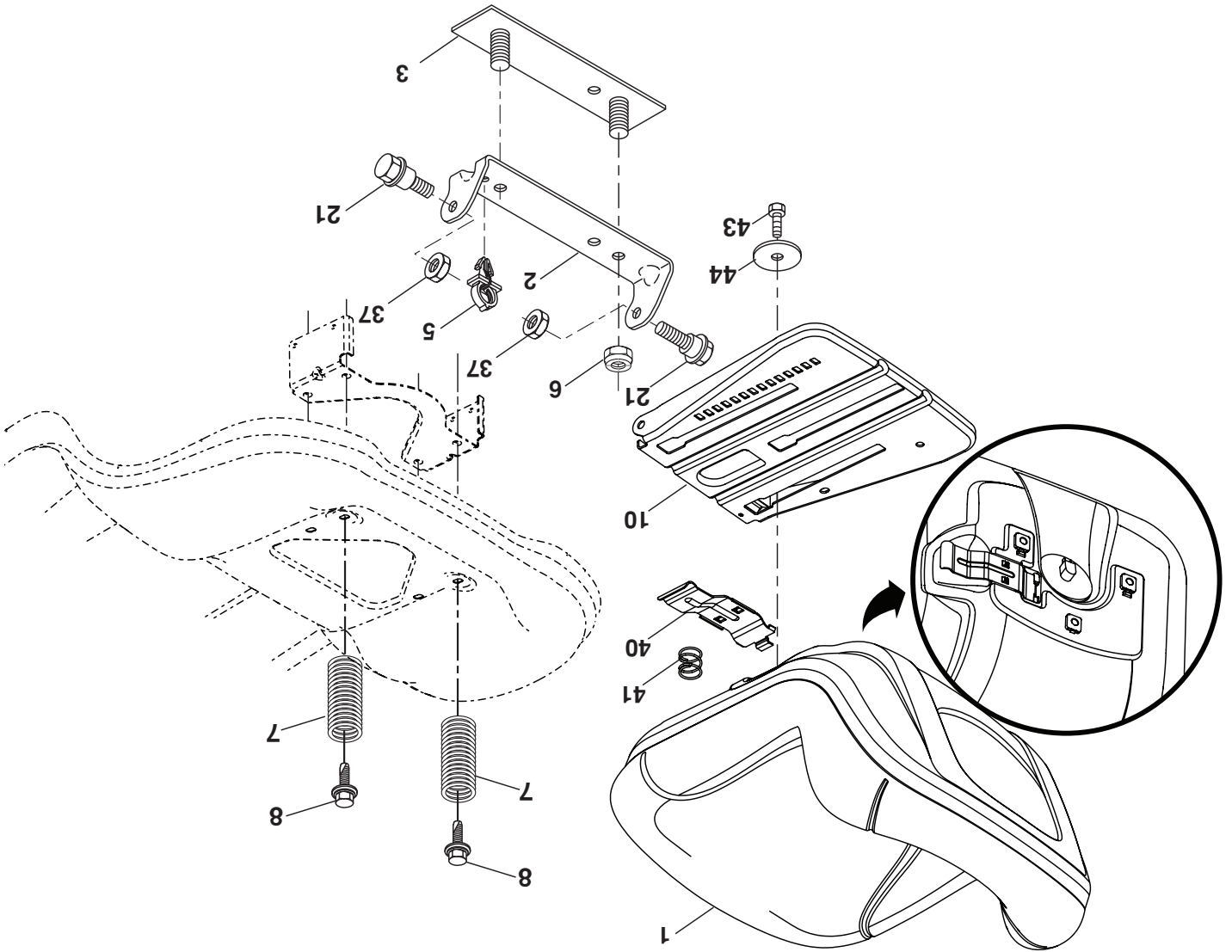


NO. DE PIÈCE	DESCRIPTION	NO. DE PIÈCE	DESCRIPTION
2	195223	88	195303
3	195231	89	19191912
7	196492X421	90	194208
10	196314	91	195181
87	194209	97	17060612
		98	195270
			Raccord de levage
			Vis 3/8-16 x .75
			Raccord de levage
			Goupille fendue 5/16
			Rondelle
			Ressort de retenue

Ensemble de l'arbre  
Poignée cannelée du levier  
Ressort de torsion  
Goupille fendue 7/16

**Remarque:** Toutes les dimensions de composant sont données en pouces E.-U. -- 1 pouce = 25,4 mm





NO.	DE	PIECE	DESCRIPTION
1	406623	Siège	Siège
2	180166	Support de pivot	Support de pivot
3	140675	Attache de l'ensemble de l'alle	Attache de l'ensemble de l'alle
5	145006	Collier presse	Collier presse
6	73800600	Ecroû frein H avec insert 3/8-16 unc	Ecroû frein H avec insert 3/8-16 unc
7	124181X	Ressort de compression du siège	Ressort de compression du siège
8	171877	Boulon 5/16-18 uncs 3/4 s	Boulon 5/16-18 uncs 3/4 s
10	196977	Cuvette du siège	Cuvette du siège

NO.	DE	PIECE	DESCRIPTION
21	171852	Boulon à épaulement 5/16-18	Boulon à épaulement 5/16-18
37	73800500	Ecroû frein 5/16-18 unc	Ecroû frein 5/16-18 unc
40	197661	Guidon	Guidon
41	198200	Ressort de compression	Ressort de compression
43	74760612	Boulon 3/8-16 UNC x 3/4	Boulon 3/8-16 UNC x 3/4
44	19133812	Rondelle 13/32 x 2-3/8 x 12Ja.	Rondelle 13/32 x 2-3/8 x 12Ja.

**Remarque:** Toutes les dimensions de composant sont données en pouces E.-U. --1 pouce = 25,4 mm

**TRACTEUR - NO. DE MODELE PB22H46YT(96042003800) NO. DE PRODUIT 960 42 00-38**

**CARTER DE TONDEUSE**

NO. DE PIÉCE	DESCRIPTION	NO. DE PIÉCE	DESCRIPTION
1	405049	64	Raccord de frein
2	405506	67	Guidon du câble d'embrayage
3	405507	68	Courroie trapézoïdale
5	4939M	69	Boulon
6	195186	70	L'assemblée d'embrayage
7	191611	86	Coupille
8	193003	87	Commutateur S'enclencher
11	405380	113	Vis 5/16-18
13	192872	116	Boulon
14	182281	117	Roue De Jauge
15	110485X	118	Centre la noix de serrure 3/8-16 UNC
19	196539	119	Rondelle 13/32 x 1-1/4 x 12 Ja.
21	73680500	122	1972-58
23	192557	123	Main droite de moteur de ceinture de garde
24	105304X	144	199204
25	197026	145	Pouille de galeet-tendeur
26	110452X	147	401872
27	405357	149	403187
29	131491	151	199778
30	173984	152	408714
31	187690	186	197799
32	195945	187	400426
33	400234	188	195161
34	72110612	189	73900500
36	196106	193	197801
37	19131316	194	197797
38	199189	195	17000612
40	73900600	197	19131312
42	198410	198	403149
43	197256	199	403150
46	137729	200	19133210
47	197250		
55	197249		
56	199092		
57	17000616		
59	141043		
60	400132		
62	74520636		
63	199478		

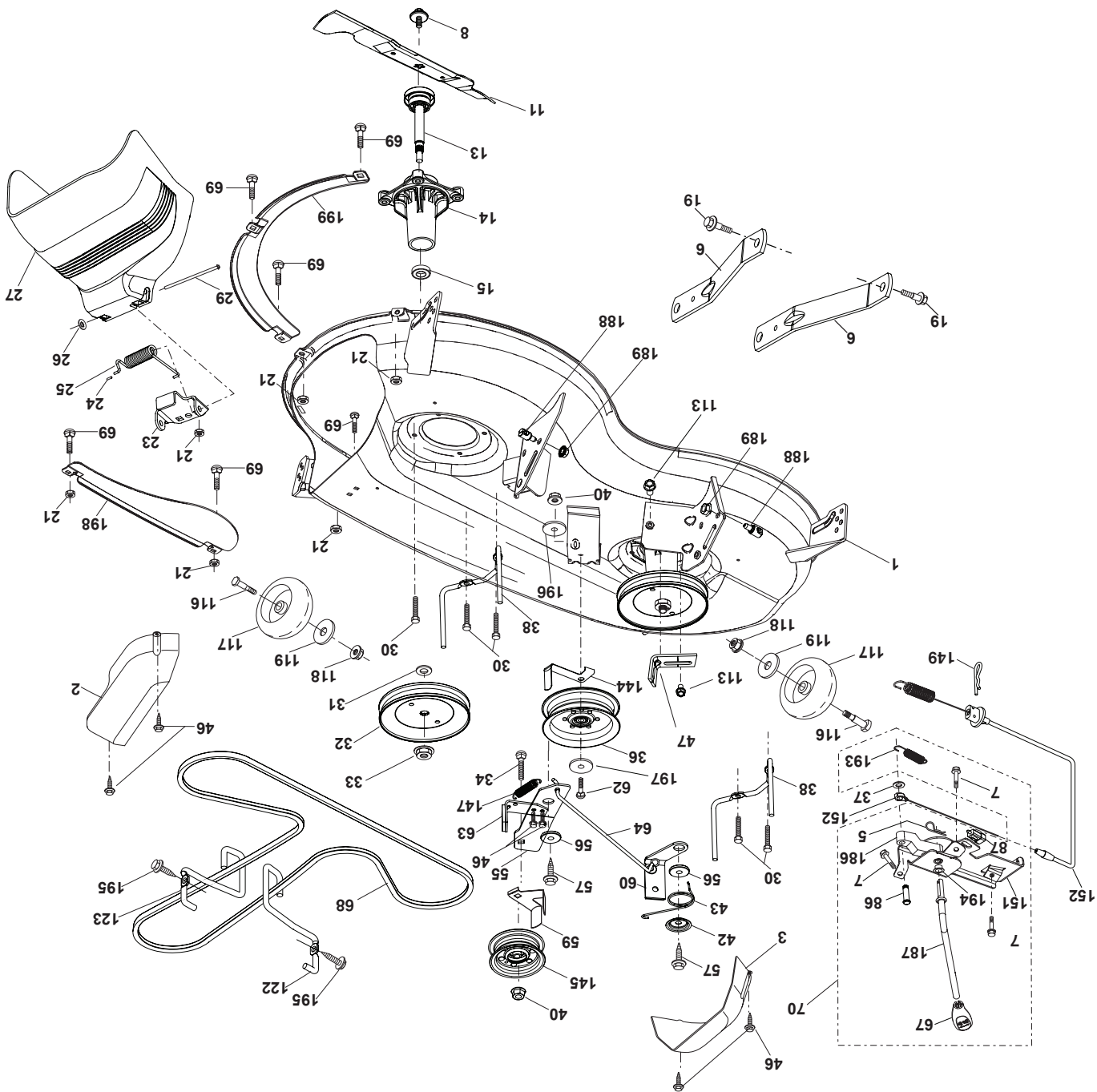
**Remarque:** Toutes les dimensions de composant sont données en pouces E.-U. --1 pouce = 25,4 mm

NO. DE PIÉCE  
DESCRIPTION

NO. DE PIÉCE  
DESCRIPTION

TRACTEUR - NO. DE MODELE PB22H46YT (96042003800) NO. DE PRODUIT 960 42 00-38

CARTER DE TONDEUSE



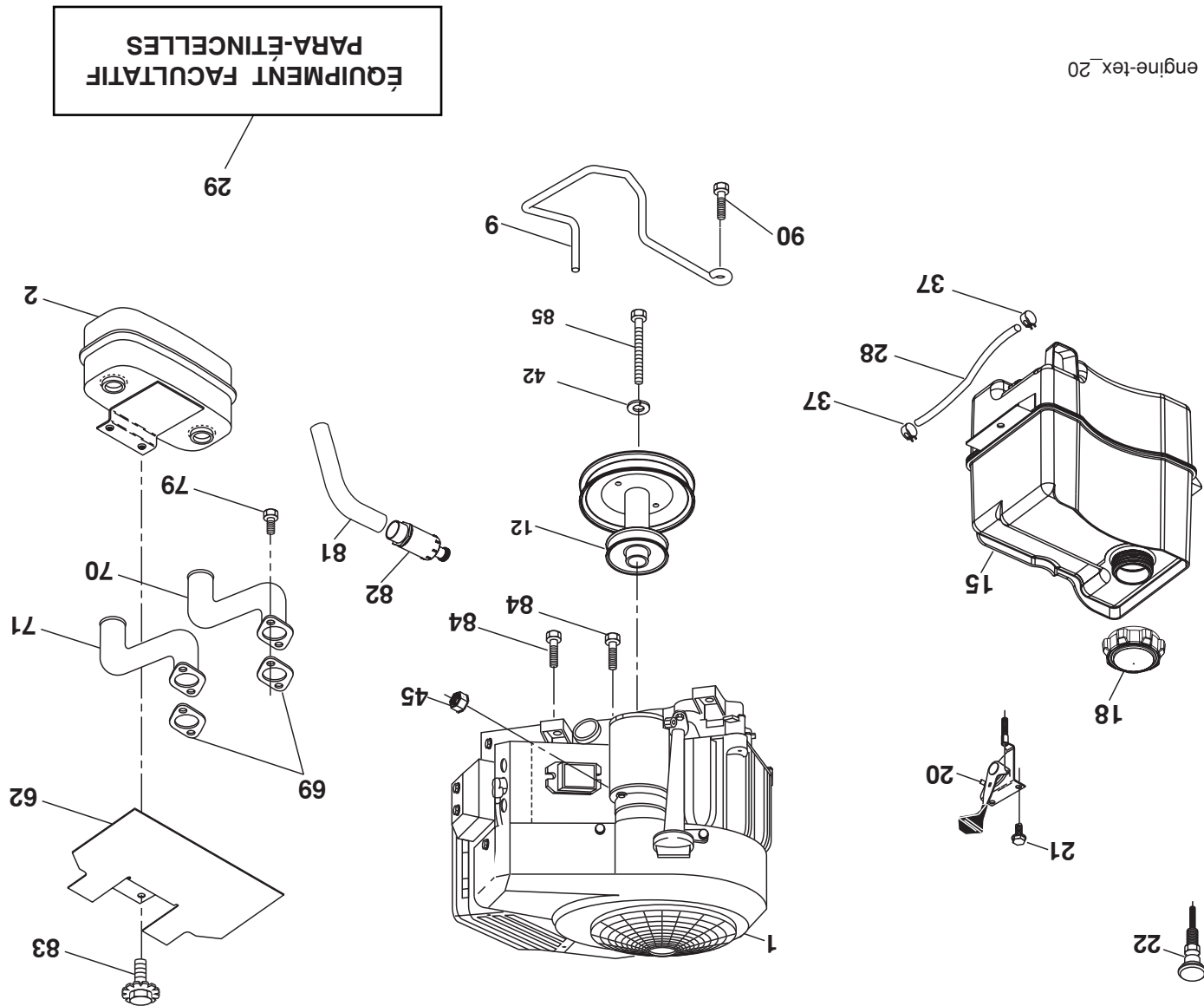
# TRACTEUR - NO. DE MODELE PB22H46YT(96042003800) NO. DE PRODUIT 960 42 00-38

## MOTEUR

NO. DÉ	REF. PIÈCE	DESCRIPTION	NO. DÉ	REF. PIÈCE	DESCRIPTION
1	----	Moteur Briggs-No. de modèle 441777	79	183906	Vis 5/16-18 x 1
2	149723	Silencieux	81	148456	Tube de vidange d'huile
9	194319	Ensemble de la guide courroie du mo- teur	82	181654	Bouchon de vidange D'huile
12	405140	Pouille	84	17060620	Vis 3/8-16 x 1-1/4
15	400021	Réservoir d'essence	85	173937	Boulon De Sortillage7/16-20 x 4 x 5Ga. -1.5
18	195951	Chapeau	87	171877	Boulon 5/16-18 x 3/4
20	175437X428	Commande des gaz	90	17060616	Vis 3/8-16 x 1
21	191611	Vis H 10 x 3/4			
22	18767X428	Commande du starter			
28	401135	Conduite d'essence			
29	137180	Jeu de pare - étincelles			
37	123487X	Bride de serrage de tuyau			
42	10040700	Rondelle frein 7/16			
45	73510400	Ecroû H 1/4-20 unc			
62	146629	Bouclier de chaleur de silencieux			
69	165391	Garniture			
70	159955	Tube C.G.			
71	160589	Tube C.D.			

## L'Information de Classement de Pouvoir de Moteur

Le pouvoir brut évaluant pour les modèles de moteur de gaz individuels est conformément étiqueté à SAE (la Société d'Ingénieurs Automoteurs) le code J1 1940 (le Petit Pouvoir de Moteur & le Moment de torsion Evaluant la Procédure), et l'exécution de classement a été obtenue et a été corrigée conformément à SAE J1995 (la Révision 2002-5). Le véritable pouvoir de moteur brut sera plus bas et est affecté par, entre autres choses, les conditions d'opération ambiantes et le moteur-à-la variabilité de moteur. Donné les deux le tableau large de produits sur lesquels moteurs est placé et la variété de problèmes écologiques applicables à l'opération de l'équipement, le moteur de gaz ne développera pas le pouvoir de grosse évalué quand utilisé dans un morceau donné d'équipement de pouvoir (la puissance véritable, « sur place » ou nette). Cette différence est en raison d'une assortiment de facteurs inclut, mais pas limité à, les accès-soires (le nettoyeur d'air, l'échappement, le refroidissement, le carburateur, la pompe de carburant, etc.), les limitations d'application, les conditions d'opération ambiantes (la température, l'humidité, l'altitude), et le moteur-à-la variabilité de moteur. En raison des limitations de fabrication et capacité, Briggs & Stratton peut substituer un moteur de plus haut pouvoir évalué pour ce moteur de Feuilleton.

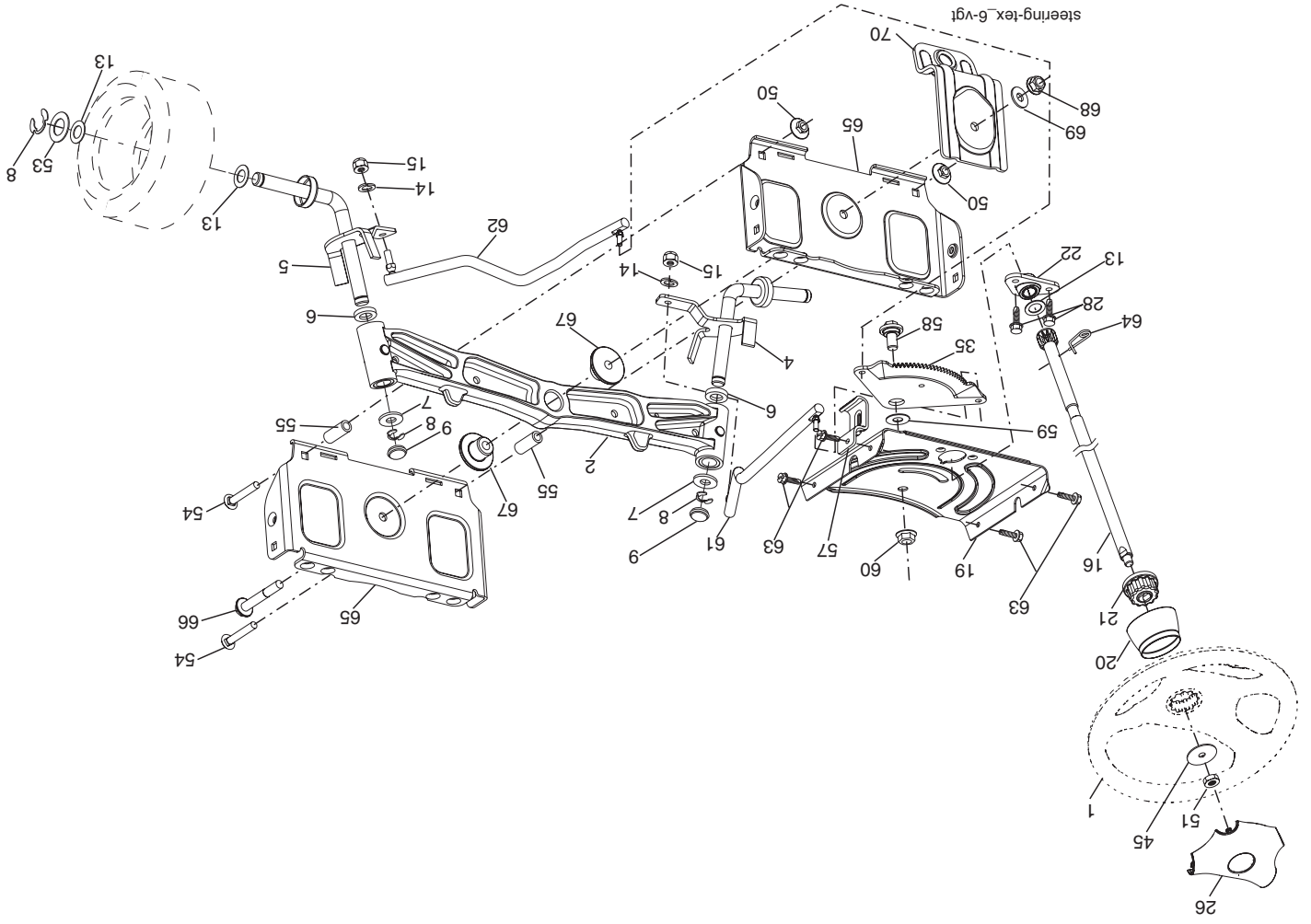


**TRACTEUR - NO. DE MODÈLE PB22H46YT(96042003800) NO. DE PRODUIT 960 42 00-38**

**ENSEMBLE DE LA DIRECTION**

NO.	DÉ	REF.	PIÈCE	DESCRIPTION
1		186093X428		Volant de direction
2		195968		Essieu
4		403087		Ensemble de la broche C.G
5		403088		Ensemble de la broche C.D.
6		6266H		Pallier de butée durci
7		121748X		Rondelle 25/32 x 1-5/8 x 16 Ga.
8		1200029		Rondelle clip n°15304-75
9		121232X		Chapeau de broche
13		121749X		Rondelle 25/32 x 1-1/4 x 16 Ga.
14		10040600		Rondelle 3/8
15		73540600		Écrou frein 3/8-24 unt
16		194746		Arbre de direction
19		194729		Arbre de plaque
20		199743X428		Initialisation de direction
21		186737		Adaptateur du volant de direction
22		194845		Douille de direction
26		186095X428		Insert de chapeau du volant de direction
28		17000612		Vis 3/8-16 x 3/4
35		194732		Secteur denté
45		19113812		Rondelle 11/32 x 2-3/8 x 12 Ga.
50		73900600		Écrou frein 3/8-16 UNC
51		73940800		Écrou 1/2-20 unt
53		188967		Rondelle .793 x 1.637 x .060
54		74760636		Boulin H 3/8-16 UNC x 2-1/4
55		197636		Axe De Croisillon D'Entretoise
57		407465		Support
58		194747		Boulin
59		194748		Rondelle
60		73971000		Écrou 5/8-11
61		194740		Main gauche De Draglink
62		194741		Main droite De Draglink
63		17000512		Vis 5/16-18 x 3/4
64		199849		Collier de retenue
65		194734		Axe De Croisillon D'Entretoise
66		71020748		Boulin 7/16-14 x 3 Serr
67		194737		Douille
68		73900700		Écrou frein à collet 7/16-14 Gr. 5
69		199162		Rondelle 1.5 x .505 x .118
70		196197		Parenthèse Avant De Prolongation De Plate-forme

**Remarque:** Toutes les dimensions de composant sont données en pouces E.-U. --1 pouce = 25,4 mm



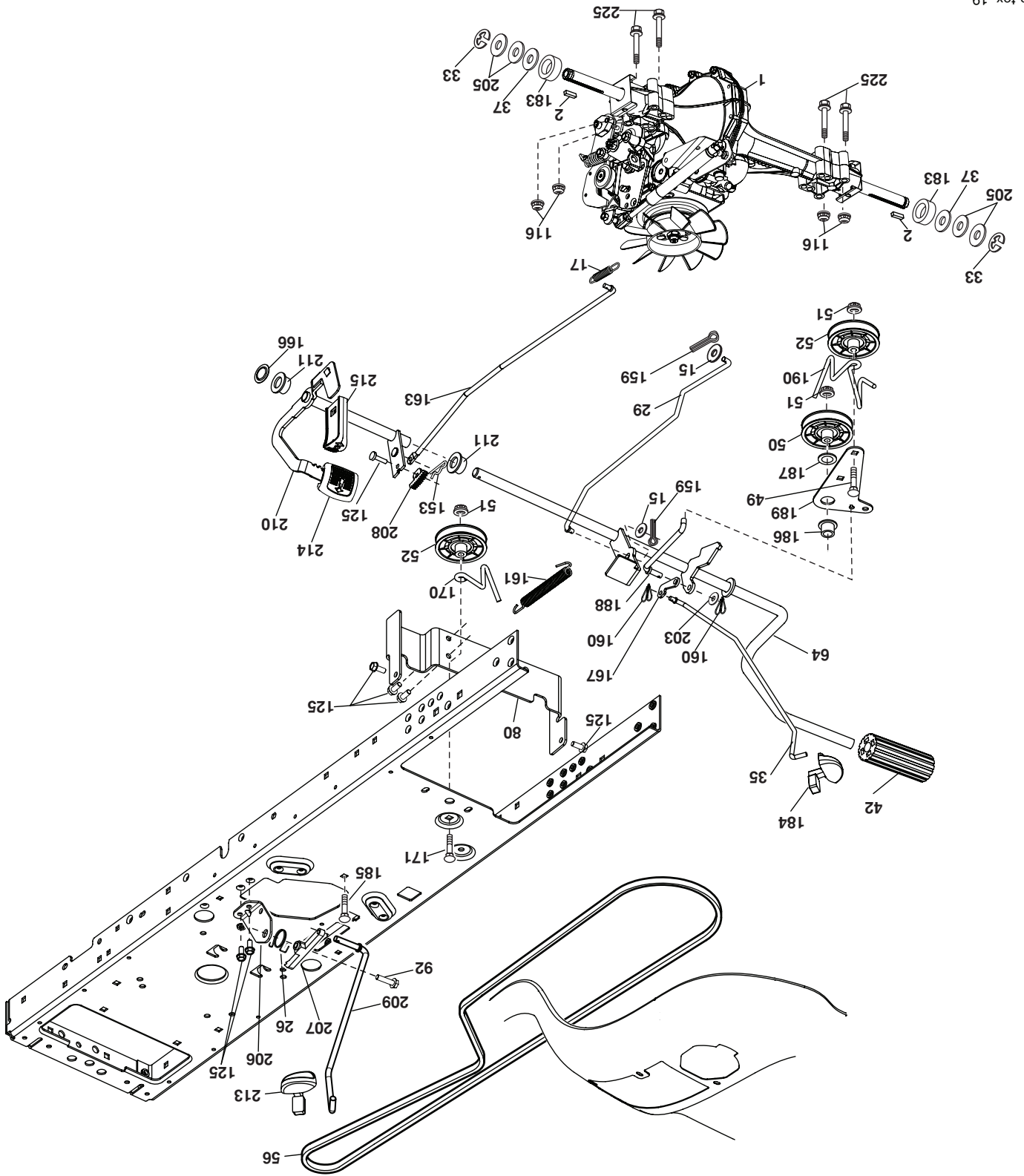
**TRACTEUR - NO. DE MODELE PB22H46YT(96042003800) NO. DE PRODUIT 960 42 00-38**

**ENTRAÎNEMENT**

**Remarque:** Toutes les dimensions de composant sont données en pouces E.-U. -- 1 pouce = 25,4 mm

NO. DE PIÈCE	DESCRIPTION	NO. DE PIÈCE	DESCRIPTION
1	-----	161	Ressort de rappel d'embrayage
	195403	163	De commande Tringle De Pédale
		166	Poussez l'écran .625
		167	Loquet
		170	Guide-courroie
		171	Boulon
		183	Entroîse fendue
		184	Poignée de frein de stationnement
		185	Boulon
		186	Ressort de retenue
		187	Rondelle
		188	Raccord d'embrayage
		189	Levier coude
		190	Commande Au sol De Balancier De
		203	Garde
		19111116	Rondelle 11/32 x 11/16 x 16 Ga.
		205	Rondelle 25/32 x 1-5/8 x 16 Ga.
		206	Support
		207	Loquet
		197868	Loquet
		208	Secteur denté
		209	Tige
		400769	Commande de pédale
		210	Palier de nylon
		120183X	Bouton De Commande De Croisière
		213	Pédale en avant
		197302 x428	Pédale contraire
		215	Boulon H 5/16-18 x 3.75
		225	
		74490544	
2	123583X		
			fabriquant du la transmission)
			(Commandez les pièces par suite du
			Transmission HG0510
			Vitesse D'Energie hydraulique De
15	19131316		Rondelle 13/32 x 13/16 x 16 Ga.
17	197296		Ressort
26	199679		Ressort de rappel
29	197659		Tige du frein
33	12000001		Bague en E
35	197722		Tige du frein de stationnement
37	121749X		Rondelle 25/32 x 1-1/4 x 16 Ga.
42	8883R		Couverture de la pédale
49	72110614		Boulon
50	194327		Poulie du galet-tendeur
51	73900600		Ecrou frein 3/8-16
52	194326		Galet-tendeur
56	140218		Courroie trapézoïdale
64	197865		Ensemble de l'arbre
80	400507		Couple De Courroie De Parenthèse
92	74760520		Boulon 5/16-18 unc x 1.25
116	73900500		Ecrou frein H 5/16-18
125	17000512		Vis 5/16-18 x 3/4
153	4497H		Ressort D'Arrêt
159	76020412		Goupille fendue 1/8 x 3/4
160	169484		Collier de retenue





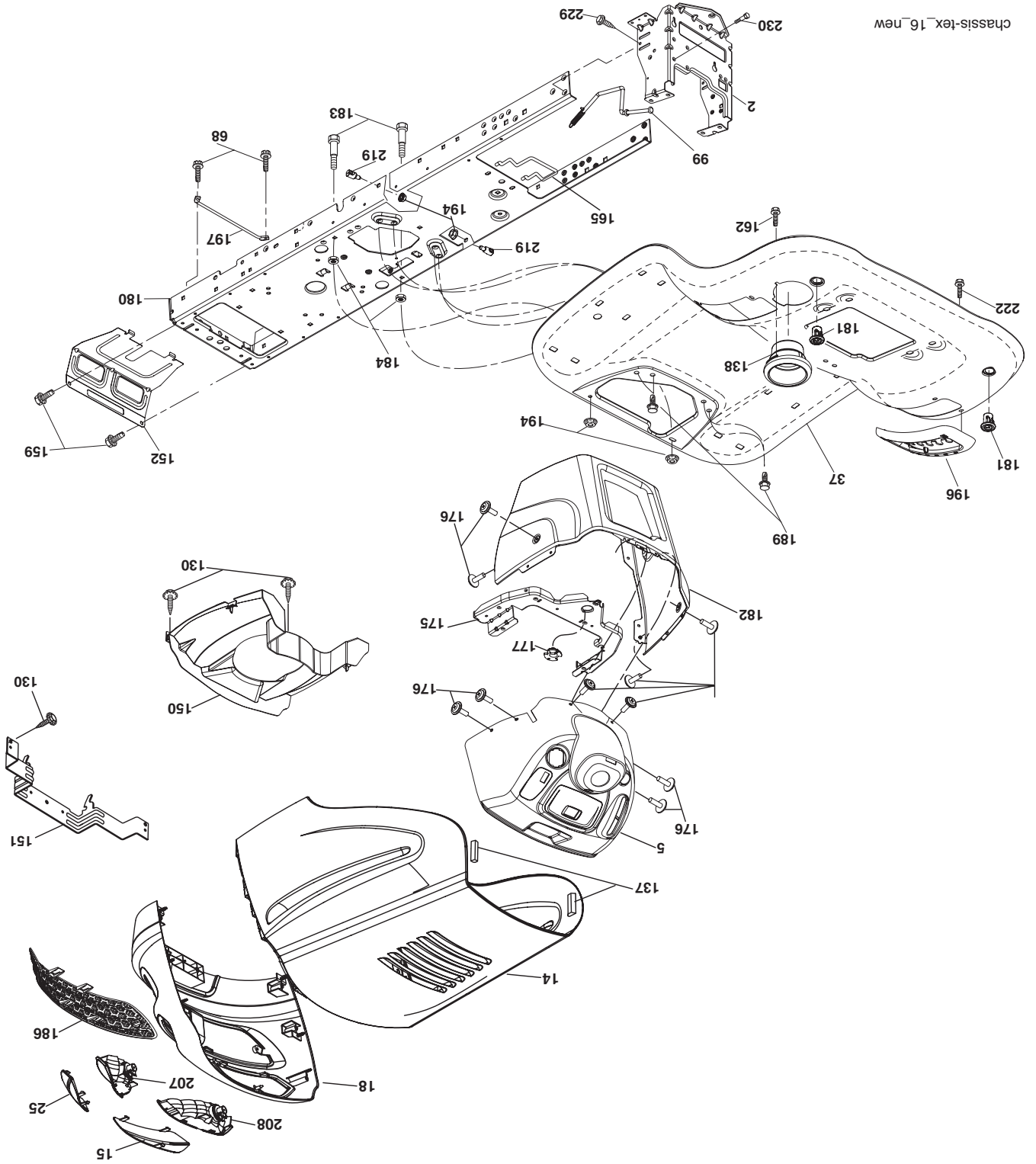
**TRACTEUR - NO. DE MODELE PB22H46YT(96042003800) NO. DE PRODUIT 960 42 00-38**  
**CHÂSSIS/ENCEINTES**

NO. DE RÉF.	PIÈCE	DESCRIPTION
2	194263	Barre extensible
5	199646X428	Tableau de bord
14	183393X428	Capot
15	183834X599	Objectif, Main gauche De Grill.
18	183828	Grill (clef incluse # 's 15, 25, 186, 207, 208)
25	183835X599	Objectif, Main droite De Grill.
37	401120	Amortisseur
68	17490508	Vis 5/16-18 x 1/2
99	405092	Assemblée De Déviation De Rod
130	191611	Vis10 x 3/4 Single Lead-Hex
137	184921	Capot De butoir
138	193224X428	Support De Tasse
150	189350	Capot De la Chaleur De Conduit
151	407807	Pivot De Parenthèse
152	194329	Bouclier de débris
159	17000612	Vis 3/8-16 x 3/4
162	142432	Vis H 1/4 x 1/2 UNC
165	194330	Réservoir De Soutien De Parenthèse
175	193234	Crossmember
176	400776	Vis 10-24 x 5/8
177	195227	Direction De Douille
180	194260	Chassis
181	193102X428	Douille
182	193057	Le Tret S'abaissent
183	74780520	Boulon H 5/16-18 x 1-1/4
184	406129	Amortisseur D'Entretoise
186	183829X428	Insérez Le Grill
189	17060512	Vis 5/16-18 x 3/4
194	73900500	Bride De Sortilège De Serrure D'Écrou 5/16-18
196	401584	Assemblée D'Ascenseur De Plate-forme De Console
197	156524	Chassis De Pivot De Rod
207	183833	Biseau C.D.
208	183832	Biseau C.G
219	195161	Attache De Goujon
222	137729	Vis 1/4-20 x 5/8
229	17000616	Vis 3/8-16 x 1
230	170165	Boulon 5/16-18
--	400796	Prise

**Remarque:** Toutes les dimensions de composant sont données en pouces E.-U., --1 pouce = 25,4 mm

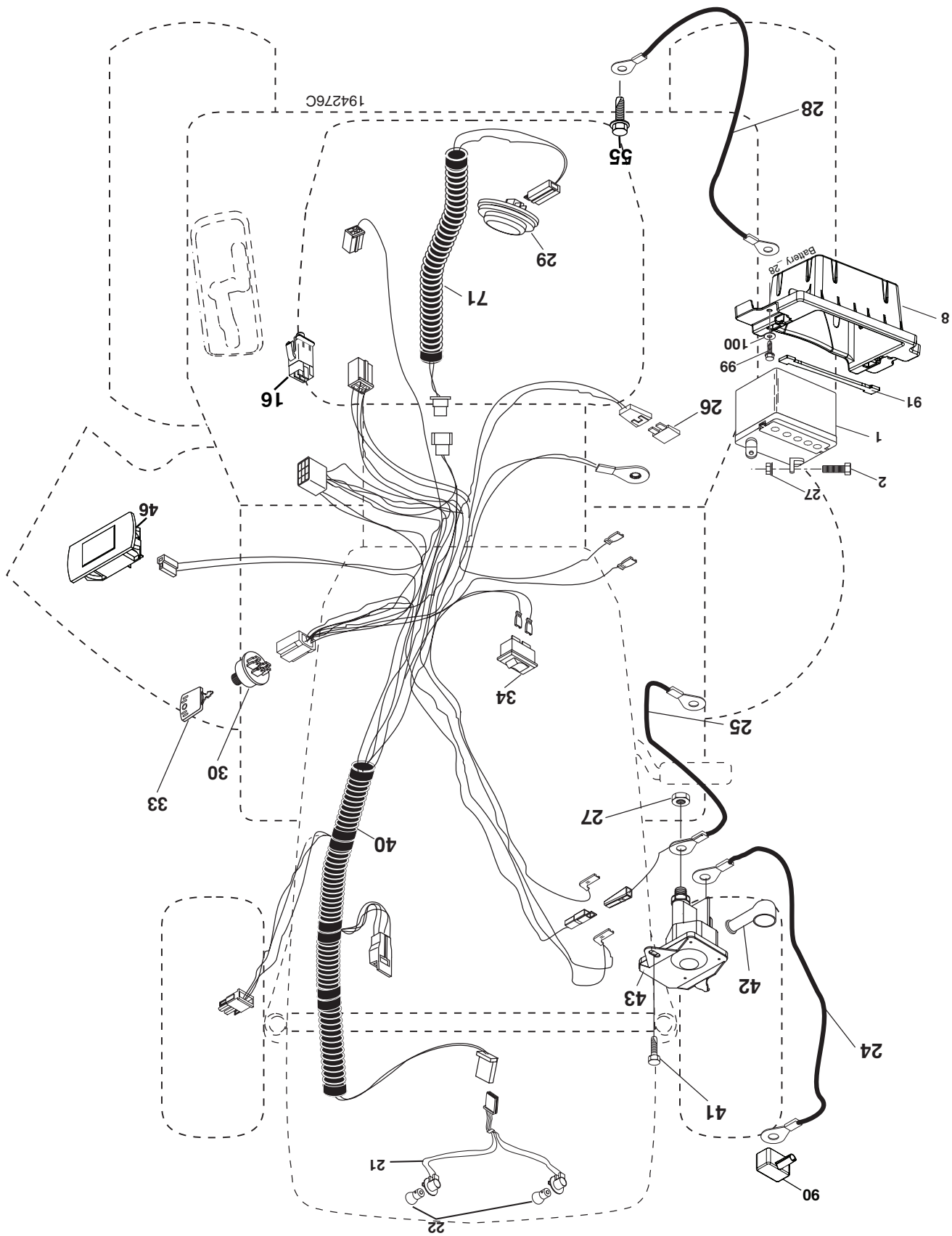
TRACTEUR - NO. DE MODELE PB22H46YT(96042003800) NO. DE PRODUIT 960 42 00-38

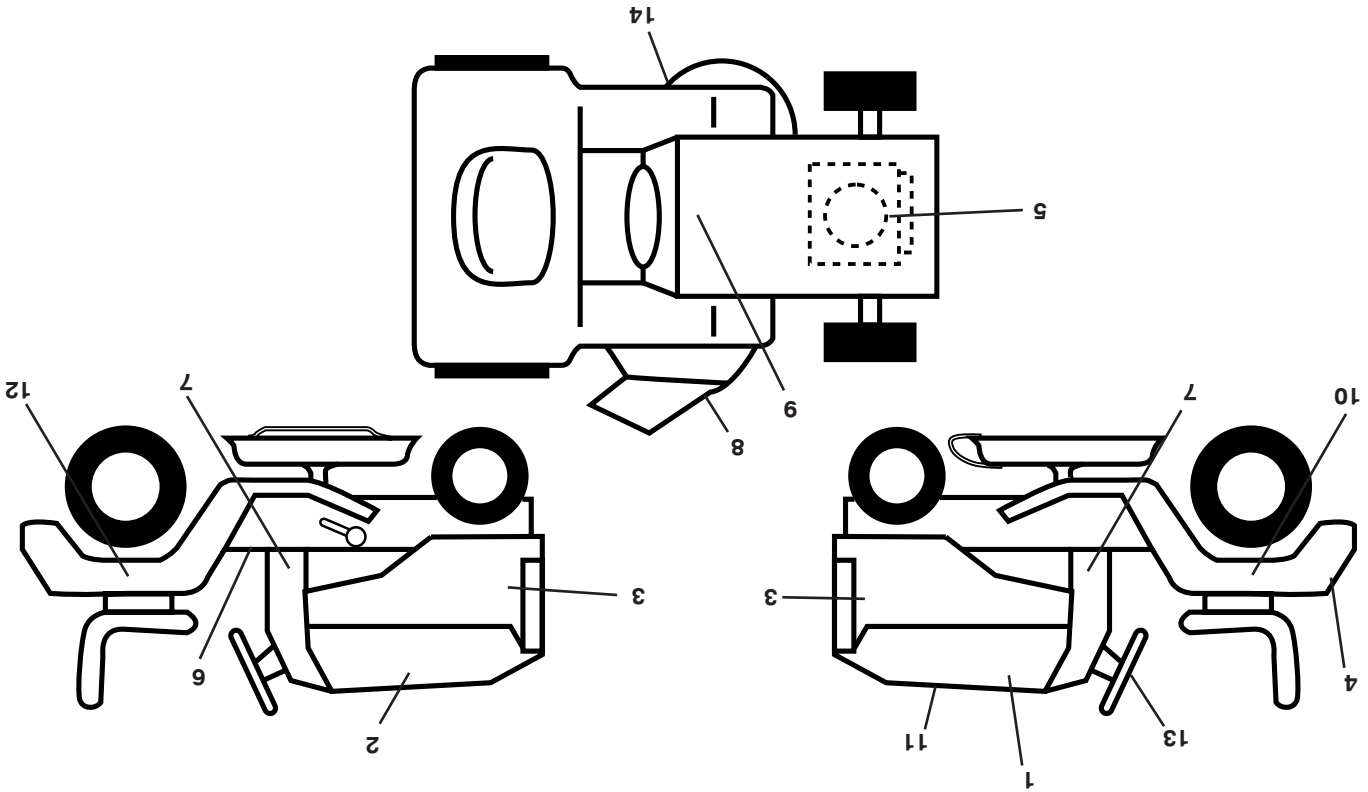
CHÂSSIS/ENCEINTES



NO.	DE	REF.	DESCRIPTION
1		144927	Batterie
2		74760412	Boulon H 1/4-20 unc x 3/4
8		186491	Bac de batterie
16		176138	Interrupteur de verrouillage pressé
21		183759	Harnais des prises de courant des phares
22		4152J	Ampoule N°1156
24		400253	Câble de batterie
25		401662	Câble
26		175158	Fusible
27		73510400	Écrou H 1/4-20 unc
28		145491	Câble de masse de 6 ja. de 21" - noir
29		401545	Interrupteur
30		193350	Contacteur d'allumage
33		140401	Cle de contact
34		110712X	L'interrupteur des phares
40		194276	Harnais des câbles d'allumage
41		17720408	Vis 1/4-20 x 1/2
42		131563	Couverture de borne
43		192507	Solénoïde
46		401763	Compteur horaire
55		17060512	Vis 5/16-18 x 3/4
71		401098	Tiret D'Allumage De Harnais
90		180449	Batterie De Borne De Couverture
91		190270	Avant De Bâti De Batterie De Courroie
99		17670412	Vis H 1/4-20 x 3/4
100		19091416	Rondelle 9/32 x 7/8 x 16 ja.

**Remarque:** Toutes les dimensions de composant sont données en pouces E.-U. -- 1 pouce = 25,4 mm



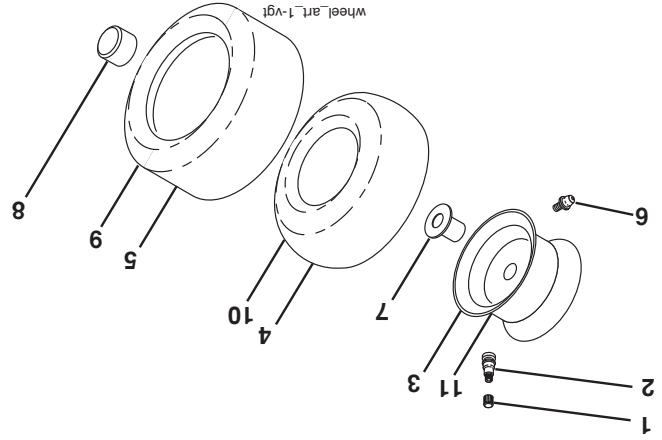


NO.	DÉ	PIÈCE
1	186163	Décalcomanie du capot C.G.
2	186164	Décalcomanie du capot C.D.
3	408795	Décalcomanie du panneau latéral
4	172740	Décalque, Amortisseur
5	408840	Décalcomanie du moteur
6	402104	Décalcomanie d'opération
7	41178	Décalque, Tirret Inférieur
8	170563	Décalcomanie d'avertissement
9	145005	Décalcomanie de danger/poison de la batterie
10	408948	Décalcomanie Pare-chocs latéral RH

NO.	DÉ	PIÈCE
11	411143	Décalcomanie
12	408949	Décalcomanie Pare-chocs latéral LH
13	172743	Décalque, Roue De Direction
14	160396	Décalque, Schéma De Fauchuse
--	--	Coussin d' repose-pied C.D.
--	--	Décalcomanie dérivation
--	--	Coussin d' repose-pied C.G.
--	--	Manuel du propriétaire (anglais/français)
--	--	Manuel du pièces (anglais/français)

NO.	DÉ	PIÈCE
1	59192	Capuchon de la valve du pneu
2	65139	Tubulure de la valve
3	106732X421	Ensemble de la jante antérieure de 6"
4	59904	Chambre à air antérieure
5	106222X	Pneu antérieur 15 x 6 0 - 6
6	278H	Graisneur (roue antérieure seulement)
7	9040H	Palier à bride (roue antérieure seule-ment)
8	104757X421	Chapeau de l'essieu 1 50 x 1 00
9	138468	Pneu arrière 20 x 8-8
10	7152J	Chambre à air arrière (non fournie)
11	106108X421	Rim Assembly, Rear
--	--	Joint d'étanchéité de pneu (tube de .30L [10 oz. Tube])

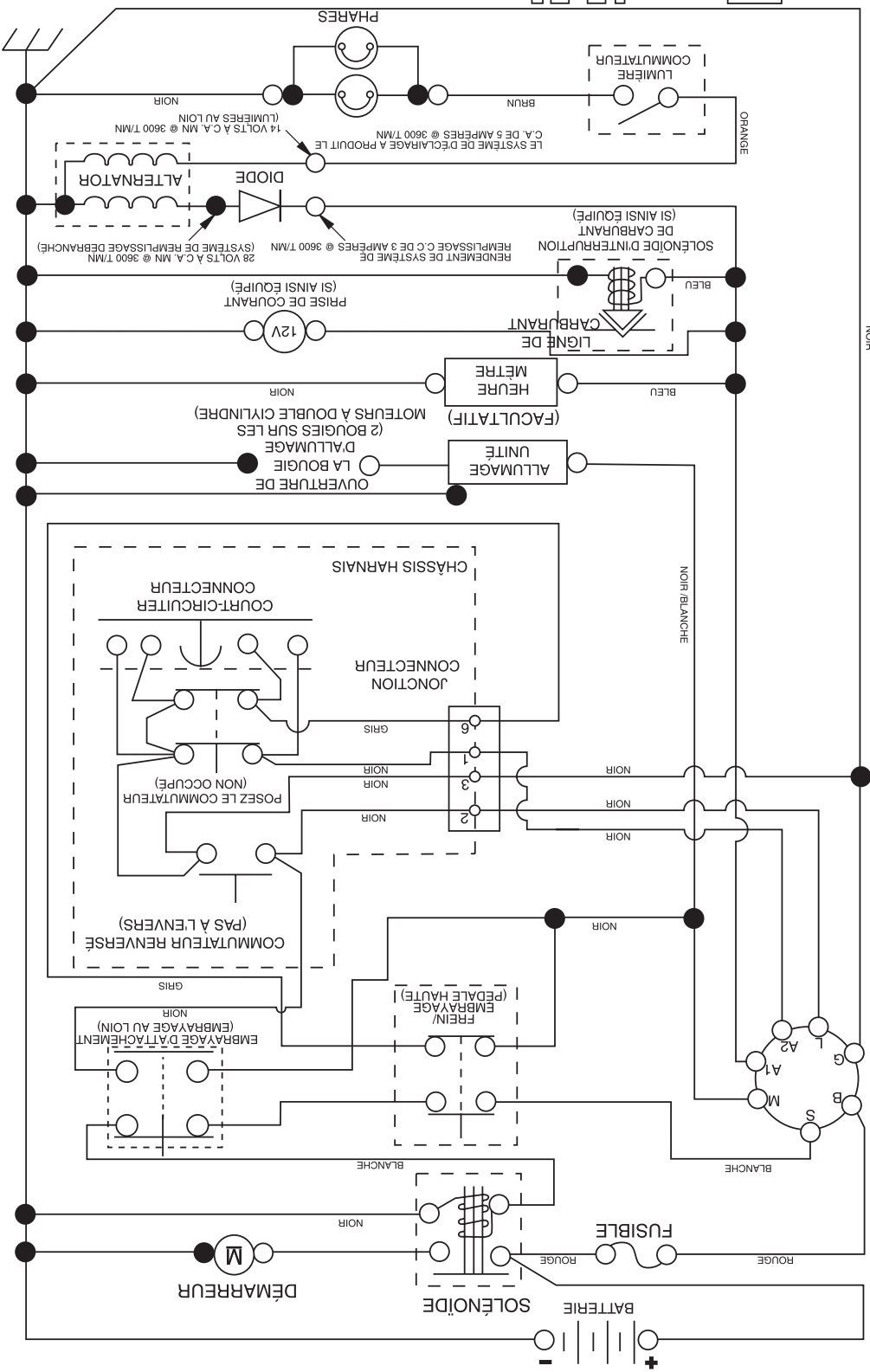
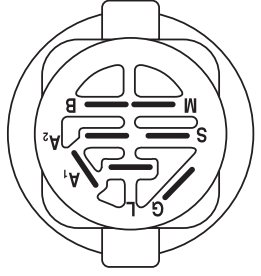
ROUES & PNEUS



Remarque: Toutes les dimensions de composant sont données en pouces E.-U. -- 1 pouce = 25,4 mm

COMMUTATEUR D'ALLUMAGE

POSITION	CIRCUIT "FAITES"
OUTRE DE	M+G+A1
COURSES/OVERRIDE	B+A1
COURSE	B+A1 L+A2
DEBUT	B + S + A1



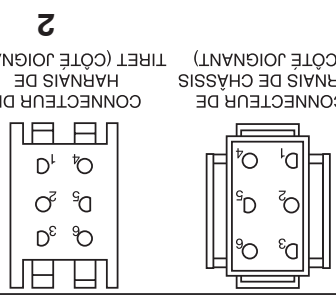
**NOTE :** SI CABLANT DES AGRAFES ISOLÉES ÉTE ENLEVÉES POUR L'ENTRETIEN DE L'UNITÉ, ELLES DEVAIENT ÊTRE REMPLACÉES POUR FIXER CORRECTEMENT VOTRE CABLAGE DÉMONTABLE

**INAMOVIBLE** (Fixed)

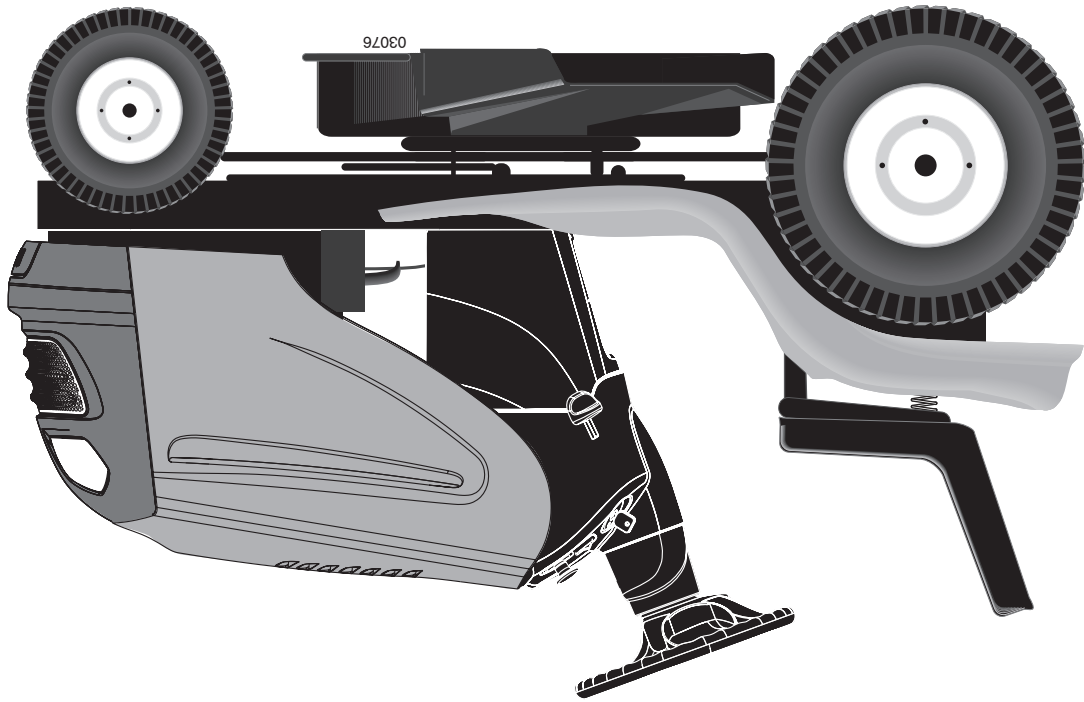
**DÉMONTABLE** (Removable)

**CABLAGE DES AGRAFES ISOLÉES**

CONNECTEUR DE HARNAIS DE (CÔTÉ JOIGNANT) 03094 (CÔTÉ JOIGNANT)




# Poulan PRO



## MANUEL DE PARTIES DE RÉPARATION

MODÈLE:

**PB22H46YT**  
**TRACTEUR DE PELOUSE**

**AVERTISSEMENT:**  Lisez soigneusement le manuel suivez tous les avertissements et les instructions de sécurité. Les blessures sérieuses peuvent en résulter si vous ne lisez pas ces avertissements et instructions de sécurité.

Portez toujours des lunettes de sécurité lors de l'utilisation.

Visitez notre site web: [www.poulan-pro.com](http://www.poulan-pro.com)