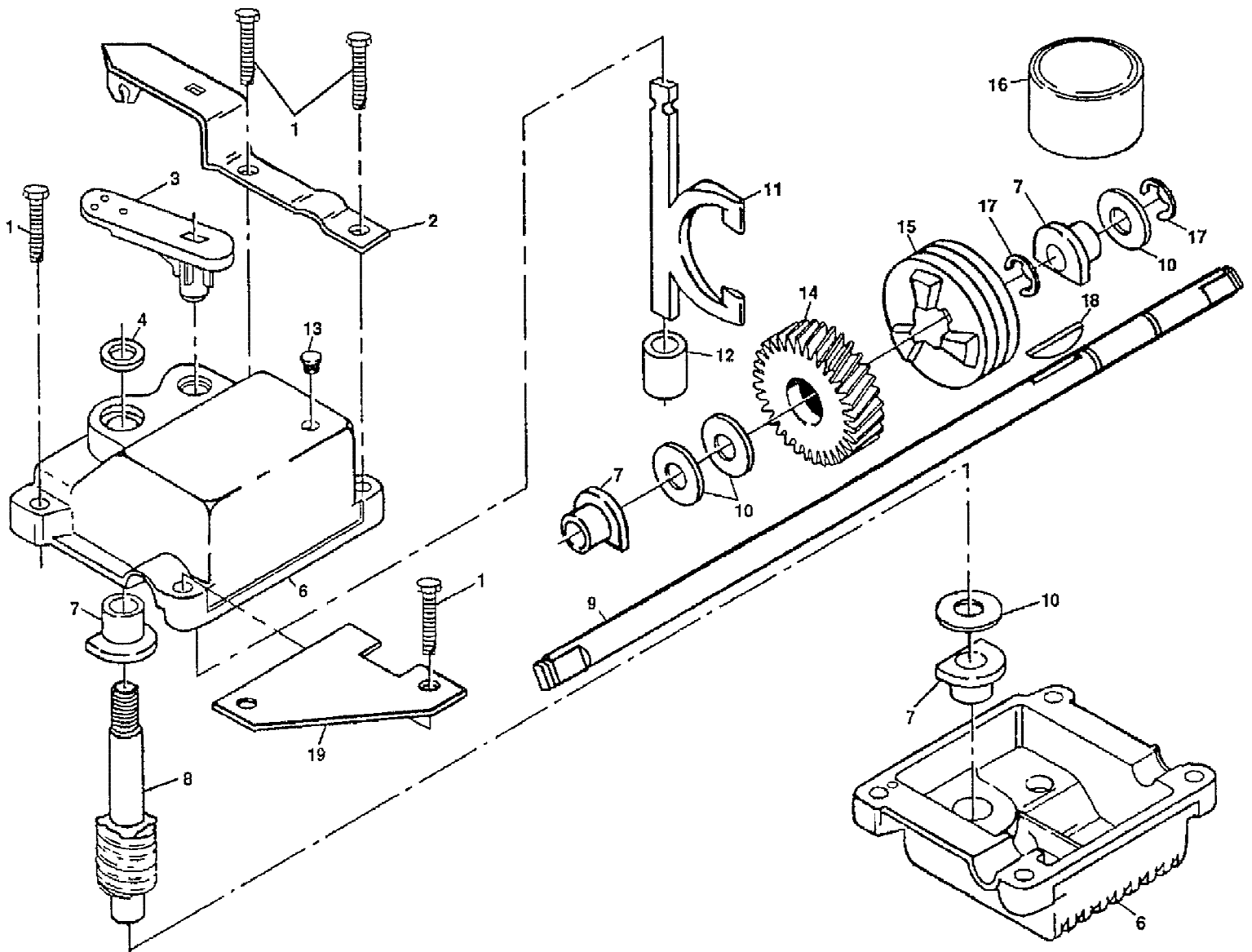


POWER PROPELLED LAWN MOWER - - MODEL NO. PP2260A
GEAR CASE ASSEMBLY PART NUMBER 702511



Ref #	Part Number	Qty	Description
1	17490416		SCREW.1/4-20
2	137055X004		BRACKET.GEARCASE
3	137053		SHIFTER
4	57072		SEAL
6	48373		KIT GEARCASE HALV
7	77881		BEARING
8	137051		SHAFT.WORM
9	137074		SHAFT.DRIVE
10	57079		THRUST WASHER
11	131484		CLUTCH YOKE
12	700343		BUSHING.GEAR BOX
13	86447		PLUG PM
14	137050		GEAR.HELICAL
15	750436X		CLUTCH JAW
16	750369		SUB= 6066J
17	12000003		RING T
18	850848		HI PRO KEY
19	81585X004		SPRING BRKT