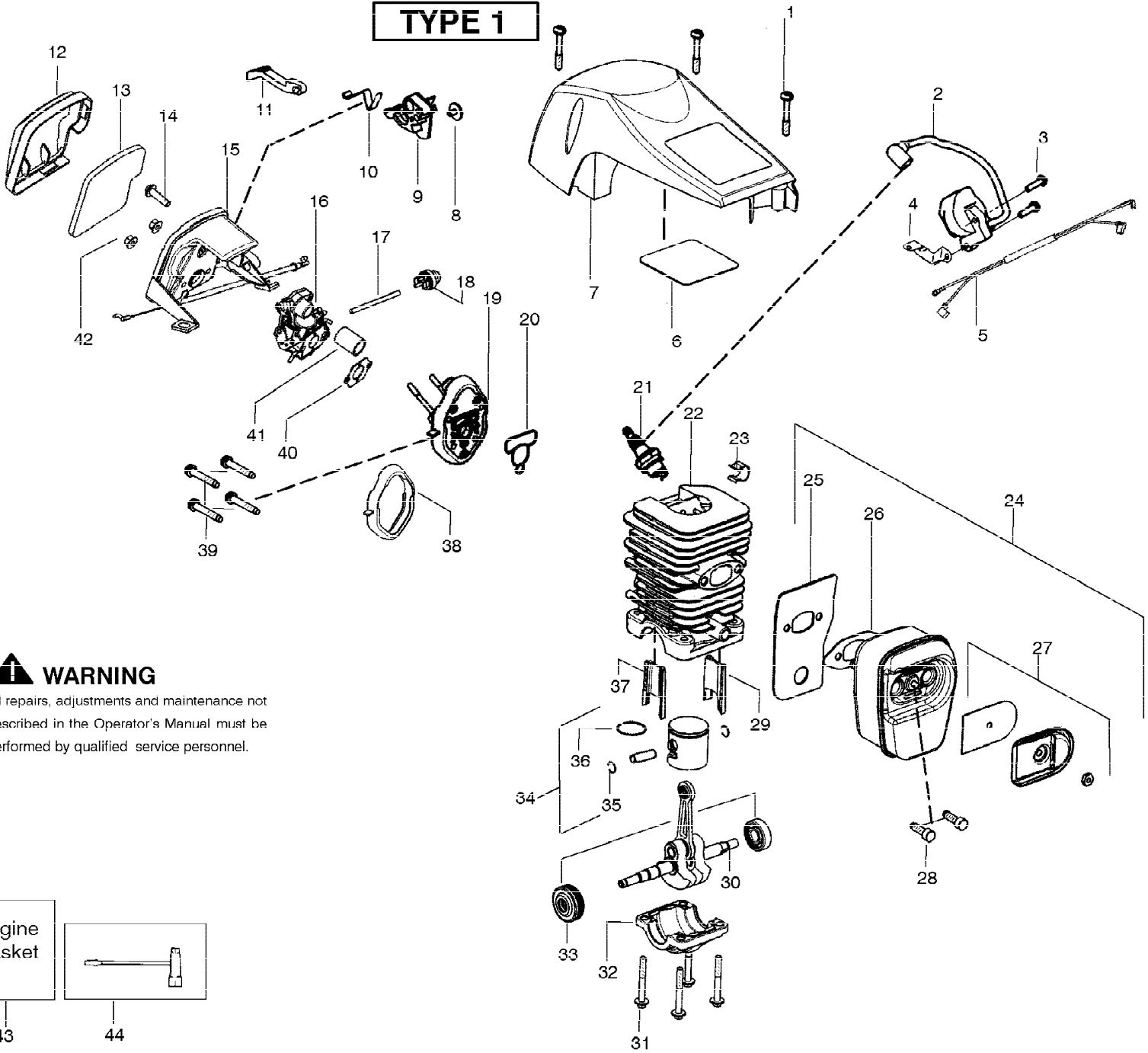
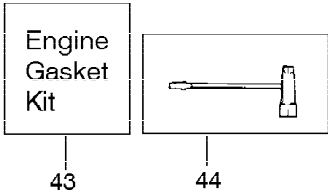


TYPE 1



WARNING

All repairs, adjustments and maintenance not described in the Operator's Manual must be performed by qualified service personnel.

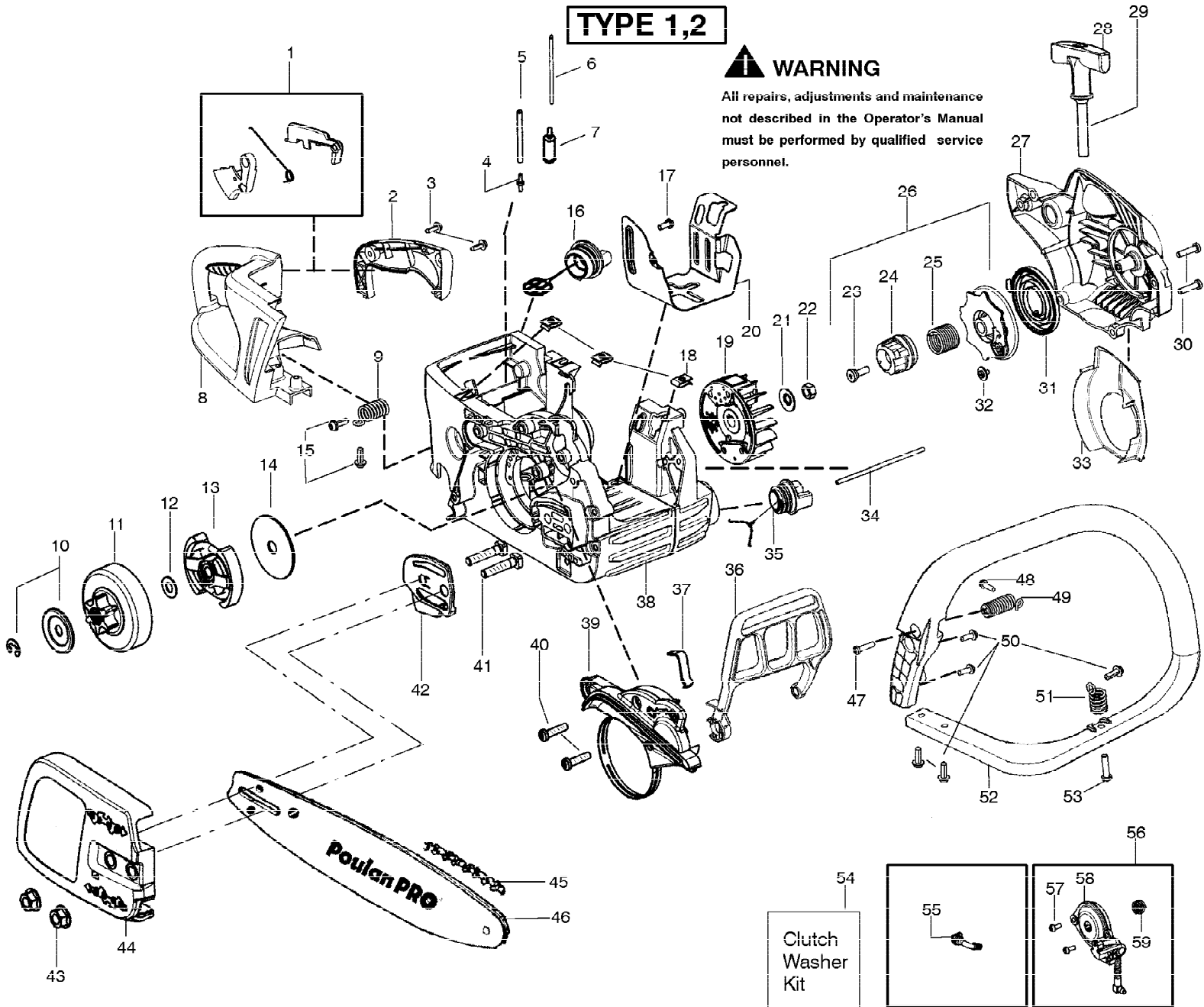


| Ref # | Part Number | Qty | S/P/F | Description |
|-------|-------------|-----|-------|---------------------------------------|
| 1 | 530016153 | 1 | /P | Screw |
| 2 | 530039232 | 1 | | Module-Ignition |
| 3 | 530016432 | 1 | | Screw |
| 4 | 530058661 | 1 | | Strap-Ground |
| 5 | 530057943 | 1 | | Assy-Wire Harness |
| 6 | 530055698 | 1 | | Reflector-Tape |
| 7 | 530057872 | 1 | | Shield-Cylinder (Incl.1,6) |
| 8 | 530016080 | 1 | /P | Screw |
| 9 | 530057891 | 1 | | Lever-Ignition Switch |
| 10 | 530057908 | 1 | | Spring-Ignition Switch |
| 11 | 530059399 | 1 | | Knob-Choke |
| 12 | 530059001 | 1 | | Cover-Air Filter |
| 13 | 530057869 | 1 | | Filter-Air |
| 14 | 530016425 | 1 | | Screw |
| 15 | 530150029 | 1 | S | Housing-Air Filter w/cable |
| 16 | 530035590 | 1 | S/P | Carburetor Zama W26 |
| 17 | 530069247 | 1 | /P | Kit-Fuel Line (Small) |
| 18 | 530047721 | 1 | | Bulb-Purge "snap-in" |
| 19 | 530071889 | 1 | /P | Kit-Carb. Adaptor (Incl. # 20,38,41) |
| 20 | 530071894 | 1 | | Gasket-cyl. o-ring (kit) |
| 21 | 952030150 | 1 | /P | Accy-Spark Plug (RCJ-7Y) |
| 22 | 530071885 | 1 | | Kit-Cylinder (Incl. 29,37) |
| 23 | 530058660 | 1 | | Clip-High Tension Lead |
| 24 | 530071887 | 1 | | Kit-Muffler (Incl. 25,26,27,28) |
| 25 | 530057942 | 1 | | Backplate-Muffler |
| 26 | 530071894 | 1 | | Gasket-Muffler (kit) |
| 27 | 530071886 | 1 | | Kit-Spark Arrestor |
| 28 | 530016338 | 1 | | Bolt-Muffler |
| 29 | 530057885 | 1 | S | Insert-Left Cyl. (black) |
| 30 | 530012537 | 1 | | Assy-Crankshaft/Rod |
| 31 | 530016417 | 1 | | Bolt |
| 32 | 530057941 | 1 | | Cap-Crankcase |
| 33 | 530056363 | 1 | | Assy-Bearing/Seal |
| 34 | 530071882 | 1 | | Kit-Piston (Incl. 35,36) |
| 35 | 530015697 | 1 | | Retainer-Piston Pin |
| 36 | 530038729 | 1 | | Ring-Piston |
| 37 | 530057886 | 1 | S | Insert-Right Cyl. (gray) |
| 38 | 530071894 | 1 | | Seal-Adaptor (kit) |
| 39 | 530016426 | 1 | /P | Screw |
| 40 | 530071894 | 1 | | Gasket-Carb. (kit) |
| 41 | 530057926 | 1 | | Tube-Intake |
| 42 | 530016101 | 1 | | Nut-Carb. |
| 43 | 530071894 | 1 | | Kit-Gasket (Incl. 20,26,38,40) |
| 44 | 530031135 | 1 | /P | Scrench |
| | 545047515 | 1 | | Manual-Operator Not Shown |
| | 530059905 | 1 | | Decal-Warning Not Shown |

TYPE 1,2



WARNING
 All repairs, adjustments and maintenance not described in the Operator's Manual must be performed by qualified service personnel.



| Ref # | Part Number | Qty | S/P/F | Description |
|-------|-------------|-----|-------|---|
| 1 | 530071927 | 1 | | Kit-Trigger/Lockout |
| 2 | 545011903 | 1 | /P | Cover-Handle |
| 3 | 530016433 | 1 | | Screw |
| 4 | 530023877 | 1 | | Fitting-Fuel line |
| 5 | 530069216 | 1 | /P | Kit-Fuel Line (Large) |
| 6 | 530069247 | 1 | /P | Kit-Fuel Line (Small) |
| 7 | 530095646 | 1 | /P | Assy-Fuel Pick Up |
| 8 | 545012103 | 1 | | Handle-Rear |
| 9 | 530059475 | 1 | | Spring-Rear Isolator |
| 10 | 530071945 | 1 | /P | Kit-Clutch Washer |
| 11 | 530057905 | 1 | | Assy-Clutch Drum 3/8" |
| 12 | 530071945 | 1 | /P | Kit-Clutch Washer |
| 13 | 530057907 | 1 | | Assy-Clutch |
| 14 | 530016419 | 1 | | Washer-Large Clutch |
| 15 | 530015906 | 1 | | Screw |
| 16 | 530047192 | 1 | /P | Assy-Fuel Cap w/ret |
| 17 | 530016064 | 1 | /P | Screw |
| 18 | 530015922 | 1 | | Nut-"U" type speed |
| 19 | 530039231 | 1 | | Assy-Flywheel |
| 20 | 530057911 | 1 | | Shield-Heat |
| 21 | 530015127 | 1 | | Washer-Flywheel |
| 22 | 530016134 | 1 | | Nut-Flywheel |
| 23 | 530021179 | 1 | | Screw-Shoulder |
| 24 | 530059677 | 1 | | Starter Hub-EPS |
| 25 | 530021180 | 1 | | Spring-EPS |
| 26 | 530071881 | 1 | S | Kit- EPS Starter Pulley (Incl. 23,24,25, 32) |
| 27 | 545011703 | 1 | /P | Housing-Fan |
| 28 | 530056402 | 1 | /P | Handle-Starter |
| 29 | 530069232 | 1 | /P | Kit-Rope |
| 30 | 530016432 | 1 | | Screw |
| 31 | 530042095 | 1 | S | Spring-Starter |
| 32 | 530016080 | 1 | /P | Screw |
| 33 | 530057868 | 1 | | Baffle |
| 34 | 530058786 | 1 | | Assy-Oil Vent |
| 35 | 530057236 | 1 | /P | Assy-Oil Cap w/ret. |
| 36 | 530057880 | 1 | | Handguard |
| 37 | 530016416 | 1 | | Spring-Handguard |
| 38 | 545011803 | 1 | | Assy-Chassis (Incl. 4,5,6,7,9,15,16,17,18, 20,34,35,37,41,51,) |
| 39 | 530071893 | 1 | | Kit-Chainbrake |
| 40 | 530016432 | 1 | | Screw |
| 41 | 530016133 | 1 | | Bolt-Bar |
| 42 | 530057910 | 1 | | Plate-Bar |
| 43 | 530015917 | 1 | | Nut-Bar |
| 44 | 545012003 | 1 | /P | Assy-Clutch Cover |
| 45 | 952051211 | 1 | /P | Accy-16" Chain |
| 46 | 952044942 | 1 | | Accy-16" Bar |
| 47 | 530016432 | 1 | | Screw |
| 48 | 530016443 | 1 | | Screw |
| 49 | 530059480 | 1 | | Assy-Rear Iso. Spring |
| 50 | 530015906 | 1 | | Screw |
| 51 | 530059479 | 1 | | Assy-Front Iso. Spring |
| 52 | 530057878 | 1 | | Handle-Front |

| Ref # | Part Number | Qty | S/P/F | Description |
|-------|-------------|-----|-------|---------------------------------|
| 53 | 530016432 | 1 | | Screw |
| 54 | 530071945 | 1 | /P | Kit-Clutch Washer (Incl. 10,12) |
| 55 | 530057924 | 1 | | Assy-Oil Pick Up |
| 56 | 530071891 | 1 | | Kit-Oil Pump (Incl. 57,58,59) |
| 57 | 530016064 | 1 | /P | Screw |
| 58 | 530057931 | 1 | | Assy-Oil Pump |
| 59 | 530037820 | 1 | | Gear-Worm |