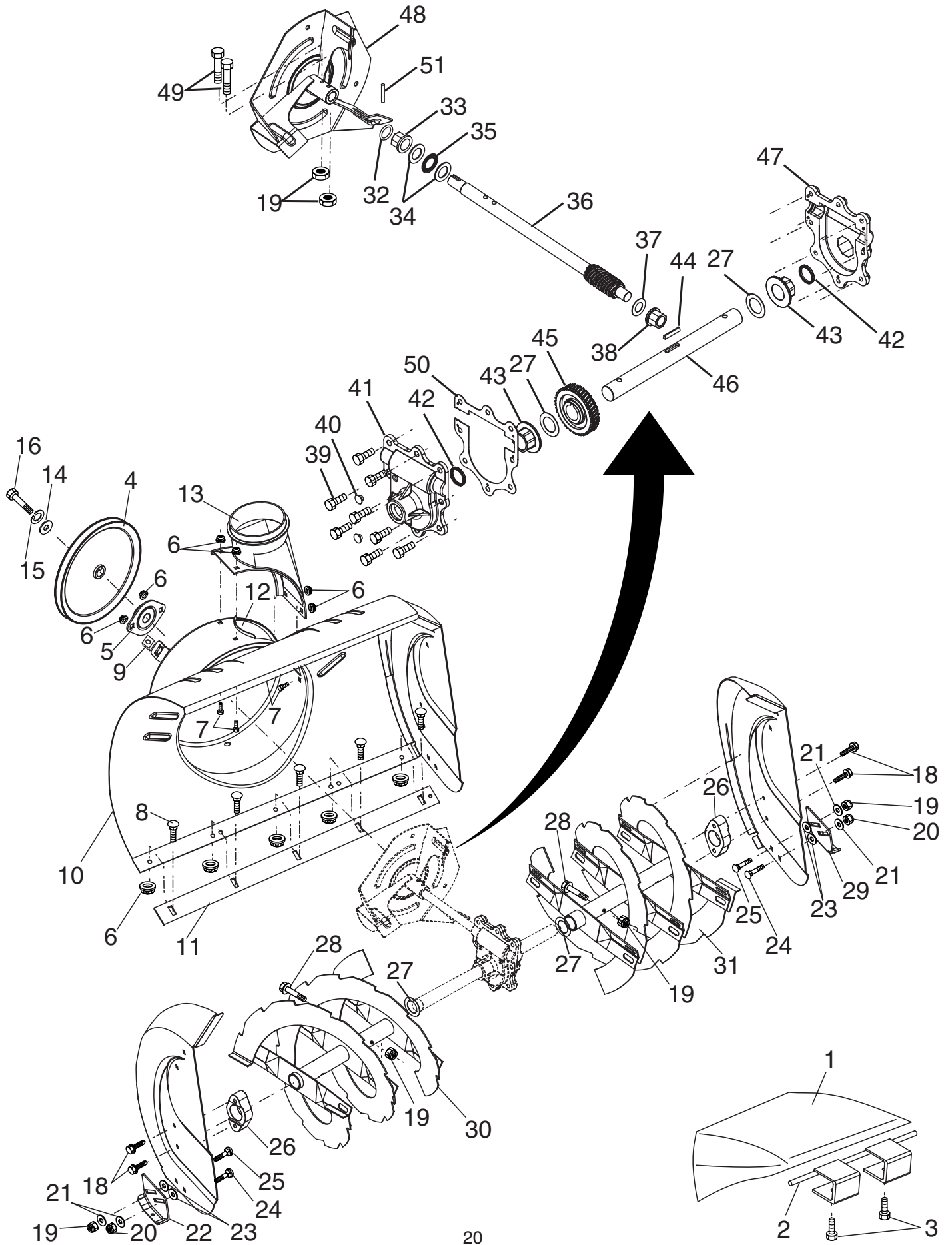


REPAIR PARTS

SNOW THROWER - MODEL NUMBER PP927ESA

AUGER HOUSING / IMPELLER ASSEMBLY



REPAIR PARTS**SNOW THROWER - MODEL NUMBER PP927ESA****AUGER HOUSING / IMPELLER ASSEMBLY**

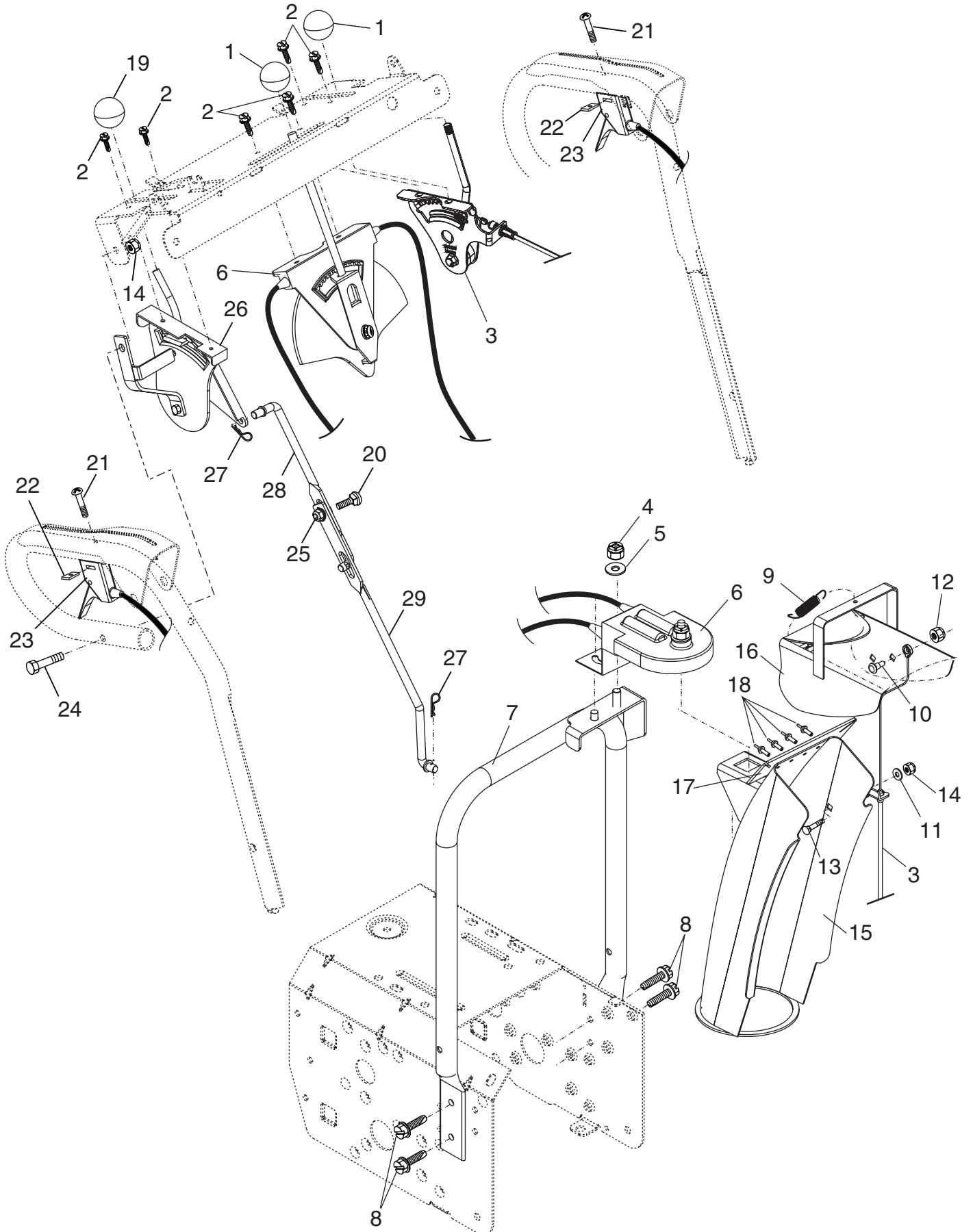
KEY NO.	PART NO.	DESCRIPTION
1	183578	Bag, Weight
2	183577	Bracket, Weight Bag
3	74520524	Screw, Hex Head 5/16-18 x 1-1/2
4	181083	Pulley, Impeller
5	175323	Bearing Assembly, Flange
6	155377	Nut, Hex Flange 5/16-18
7	180355	Bolt, Flat Head, Carriage 5/16-18 x 5/8
8	72270505	Bolt, Carriage 5/16-1 8 x 5/8
9	178820	Nut, Cage 3/8-16
10	178827X428	Housing, Auger
11	178691X479	Bar, Scraper
12	178675X008	Bracket, Corner Discharge
13	175322	Base, Discharge Chute
14	59289	Washer, Flat
15	10040500	Washer, Lock 5/16
16	74950512	Screw, Hex Head 5/16-18 x 3/4
18	179582	Screw, Hex Head 5/16 x 1
19	73800400	Nut, Hex Lock 1/4-20
20	73800500	Nut, Hex Lock 5/16-18
21	155415	Washer, Flat
22	178777X479	Skid Plate, RH
23	179246	Washer, Nylon, Friction
24	72270506	Bolt, Carriage 5/16-18 x 3/4
25	179829	Bolt, Shoulder
26	174658	Bearing, Auger
27	174697	Washer, Thrust, 1"
28	179828	Bolt, Shoulder 1/4-20 x 2
29	174762X479	Skid Plate, LH
30	178763X479	Auger Assembly, RH
31	178697X479	Auger Assembly, LH
32	174699	O-Ring
33	174700	Bushing, Flange 3/4
34	174681	Washer, Thrust 3/4
35	174684	Bearing, Thrust 3/4
36	174660	Shaft, Impeller
37	174683	Washer, Thrust 5/8
38	174686	Bushing, Flange 5/8
39	150078	Screw, Hex Head 5/16-18 x 3/4
40	86447	Plug, Case
41	174688	Housing, Gearbox, RH
42	174698	Seal, Oil
43	174701	Bushing, Flange, 1"
44	178879	Key, Square 1/4 x 1/4 x 7/8
45	174659	Gear, Worm
46	174657	Shaft, Auger
47	174687	Housing, Gearbox, LH
48	175321X479	Impeller Assembly
49	74780426	Screw, Hex Head 1/4-20 x 1-5/8
50	175311	Gasket, Gearbox
51	7836M	Pin, Roll 3/16 x 1-1/8

NOTE: All component dimensions given in U.S. inches
1 inch = 25.4 mm

REPAIR PARTS

SNOW THROWER - MODEL NUMBER PP927ESA

CONTROL PANEL / DISCHARGE CHUTE



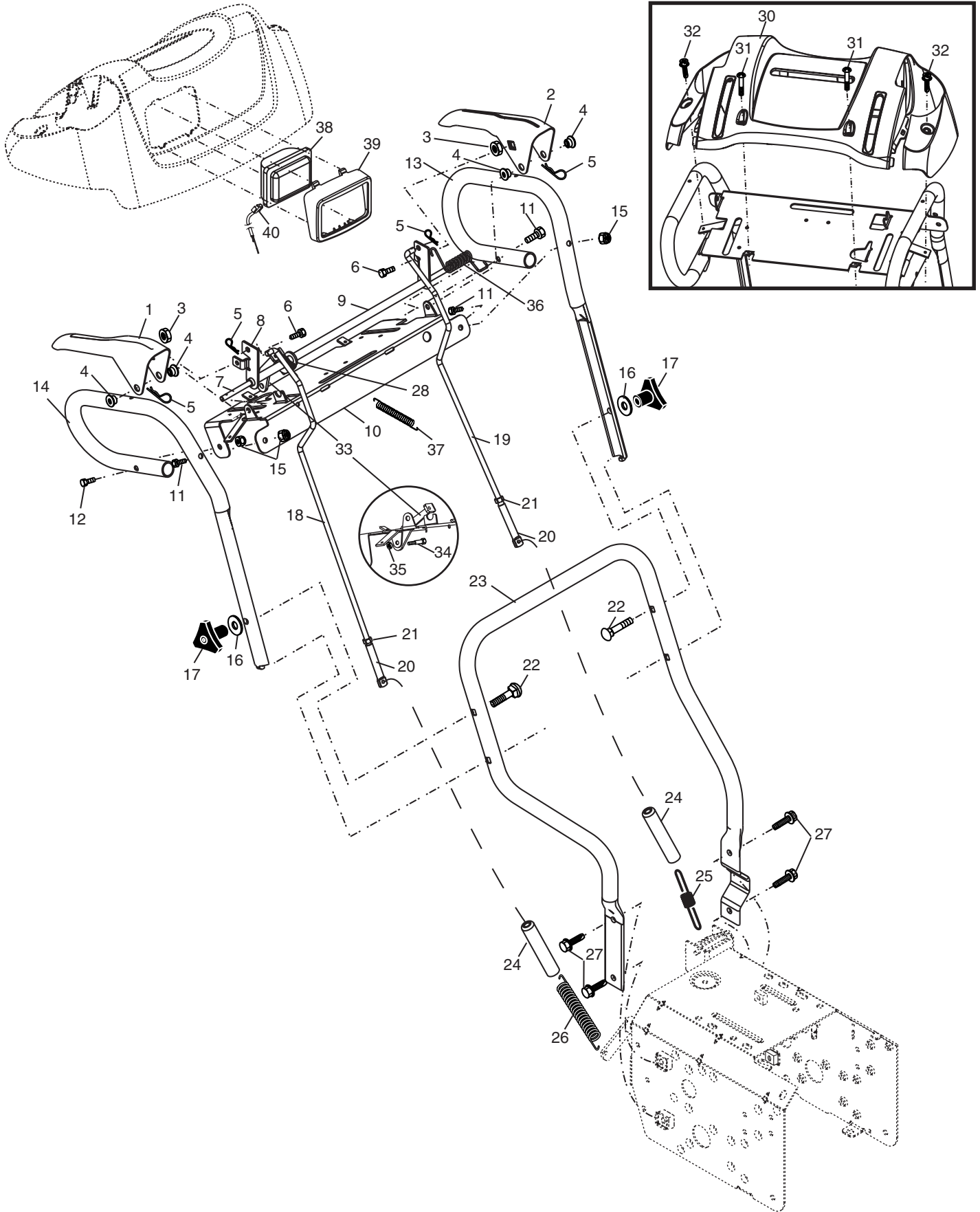
REPAIR PARTS**SNOW THROWER - MODEL NUMBER PP927ESA****CONTROL PANEL / DISCHARGE CHUTE**

KEY NO.	PART NO.	DESCRIPTION
1	183334	Knob, Lever
2	17501010	Screw #10-24 x 5/8
3	178674	Control Assembly, Deflector
4	73800600	Nut, Lock 3/8-16
5	19131316	Washer, Flat 3/8
6	178659	Control Assembly, Chute Rotater
7	178638X479	Support, Pivot
8	150078	Screw, Hex Head 5/16-18 x 3/4
9	183525	Spring, Deflector
10	179829	Bolt, Shoulder
11	155415	Washer, Flat
12	73800400	Nut, Lock 1/4-20
13	72250505	Bolt, Carriage 5/16-18
14	73800500	Nut, Lock 5/16-18
15	178628X428	Chute Assembly
16	178633X428	Deflector Assembly
17	179145	Seal, Deflector
18	128415	Rivet, Blind
19	183333	Knob, Speed Control Lever
20	72270506	Bolt, Carriage 5/16-18 x 3/4
21	74041024	Screw #10-24 x 1-1/2
22	183292	Nut, Weld #10-24
23	179156	Control Assembly, Power Steering
24	74780528	Screw, Hex Head 5/16-18 x 1-3/4
25	155377	Nut, Lock 5/16-18
26	179257	Lever Assembly, Speed Control
27	169675	Retainer, Hairpin
28	180445	Rod, Upper, Speed Control
29	179249	Rod, Lower, Speed Control

NOTE: All component dimensions given in U.S. inches
1 inch = 25.4 mm

REPAIR PARTS HANDLES

SNOW THROWER - MODEL NUMBER PP927ESA



REPAIR PARTS HANDLES

SNOW THROWER - MODEL NUMBER PP927ESA

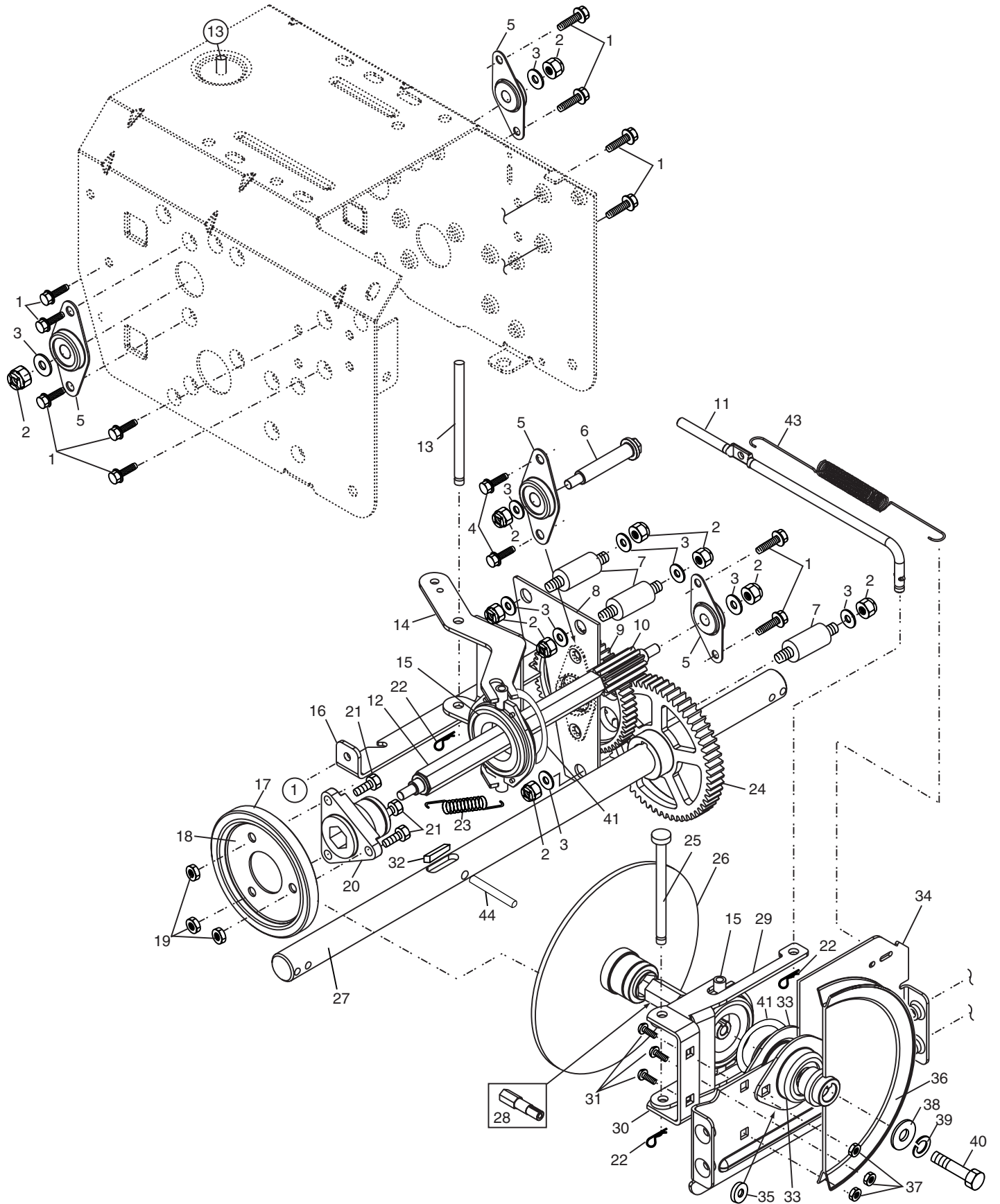
KEY NO.	PART NO.	DESCRIPTION
1	178875X479	Lever, Auger Control, RH
2	178648X479	Lever, Traction Drive Control, LH
3	179439	Nut, Cage 1/4-20
4	178888	Bushing, Flange
5	169675	Retainer, Hairpin
6	180402	Screw, Hex Head 1/4-20 x 3/4
7	178652	Rod, Interlock
8	184003	Tube Assembly, Interlock, RH
9	178651	Tube Assembly, Interlock, LH
10	178645X479	Panel, Control
11	74780524	Screw, Hex Head 5/16-18 x 1-1/2
12	74780528	Screw, Hex Head 5/16-18 x 1-3/4
13	178646X479	Handle Tube, LH
14	178696X479	Handle Tube, RH
15	73800500	Nut, Lock 5/16-18
16	19131316	Washer, Flat 3/8
17	178899	Knob, Handle
18	179093	Rod, Auger Control
19	179098	Rod, Traction Control
20	180428	End, Control Rod
21	73350500	Nut, Hex, Jam 5/16-18
22	72120618	Bolt, Carriage 3/8-16 x 2-1/4
23	178825X479	Handle Tube, Lower
24	180447	Sleeve, Spring
25	180926	Spring, Traction Drive
26	178669	Spring, Auger Control
27	71210616	Screw, Hex Head 3/8-16 x 1
28	180494	Clip, Panel
30	182906	Console, Panel
31	175262	Screw, Hex Head, Tapping #10-24 x 1-1/4
32	750634	Screw, Hex Head, Tapping #10-24 x 1/2
33	175339X008	Latch, Interlock
34	183518	Bolt, Shoulder
35	68038	Nut, Lock 1/4-20
36	178831	Spring, Torsion
37	178658	Spring, Interlock
38	178666	Headlight, Halogen
39	178668	Bezel, Headlight
40	180964	Harness, Headlight (Halogen)

NOTE: All component dimensions given in U.S. inches
1 inch = 25.4 mm

REPAIR PARTS

SNOW THROWER - MODEL NUMBER PP927ESA

DRIVE



REPAIR PARTS DRIVE

SNOW THROWER - MODEL NUMBER PP927ESA

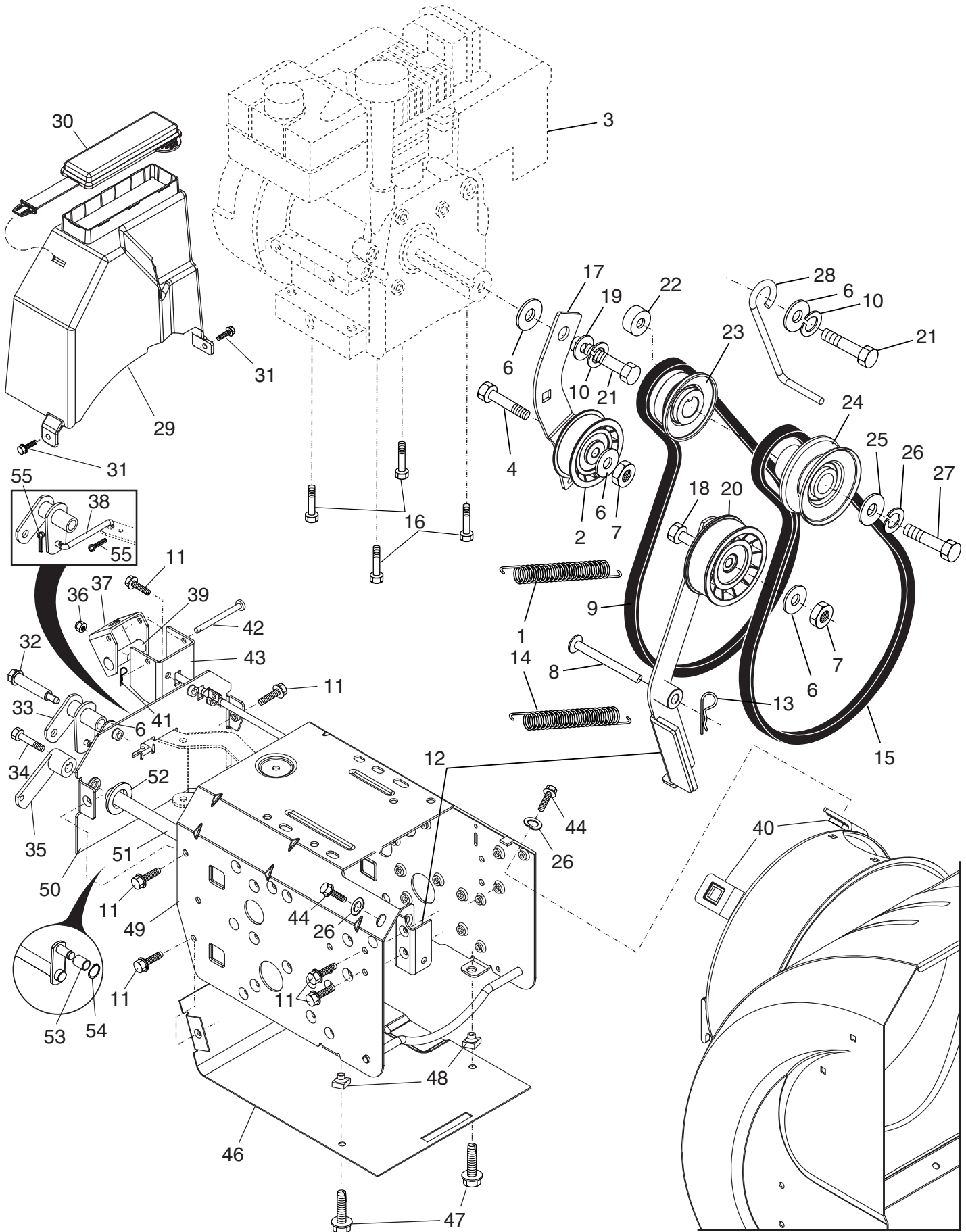
KEY NO.	PART NO.	DESCRIPTION
1	146315	Screw, Hex Head 5/16-18 x 3/4
2	73800500	Nut, Lock 5/16-18
3	155415	Washer, Flat
4	17490508	Screw, Hex Head 5/16-18 x 1/2
5	180017	Bearing, Flange
6	180134	Shaft, Auxiliary
7	179270	Spacer, Plate
8	179269X479	Plate, Auxiliary
9	180082	Gear, Intermediate (12/58)
10	180065	Gear, Pinion
11	178812	Rod, Clutch
12	180066	Shaft, Long, Hex
13	178807	Pin, Pivot
14	178619X479	Lever, Shifter / Wheel
15	175344	Trunnion Bearing Assembly
16	178805X479	Bracket, Pivot, Shift
17	179831	Ring, Rubber Wheel
18	178616X479	Plate, Rubber Wheel
19	73930500	Nut, Lock 5/16-18
20	178613	Hub, Rubber Wheel
21	74760514	Screw, Hex Head 5/16-18 x 7/8
22	85179	Retainer, Hairpin
23	180135	Spring, Bias
24	180081	Gear, Axle (58 Teeth)
25	178695	Pin, Pivot Lever
26	175341	Plate Assembly, Drive
27	178621	Shaft, Axle
28	175340	Shaft, Short Hex
29	175350X479	Lever, Shifter Plate
30	175349X479	Bracket, Shifter Support
31	72270505	Bolt, Carriage 5/16-18 x 5/8
32	178879	Key, Square 1/4 x 1/4 x 7/8
33	175323	Bearing, Flange
34	175338X479	Plate, Drive Mounting
35	182504	Spacer, Bearing
36	175348	Pulley, Traction Drive
37	155377	Nut, Lock 5/16-18
38	59289	Washer, Flat
39	10040500	Washer, Lock 5/16
40	74950512	Screw, Hex Head 5/16-18 x 3/4
41	12000012	Ring, Retaining
43	179095	Spring, Return
44	9465M	Pin, Roll

NOTE: All component dimensions given in U.S. inches
1 inch = 25.4 mm

REPAIR PARTS

SNOW THROWER - MODEL NUMBER PP927ESA

CHASSIS / ENGINE / PULLEYS



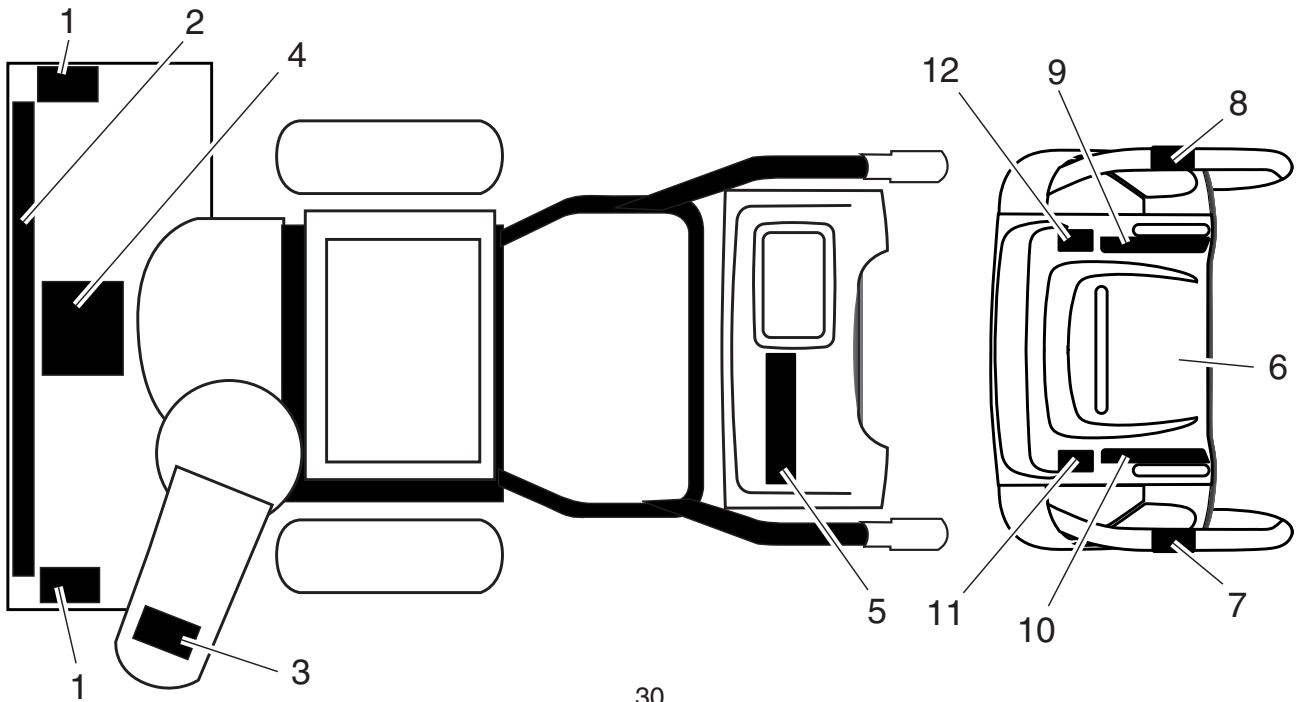
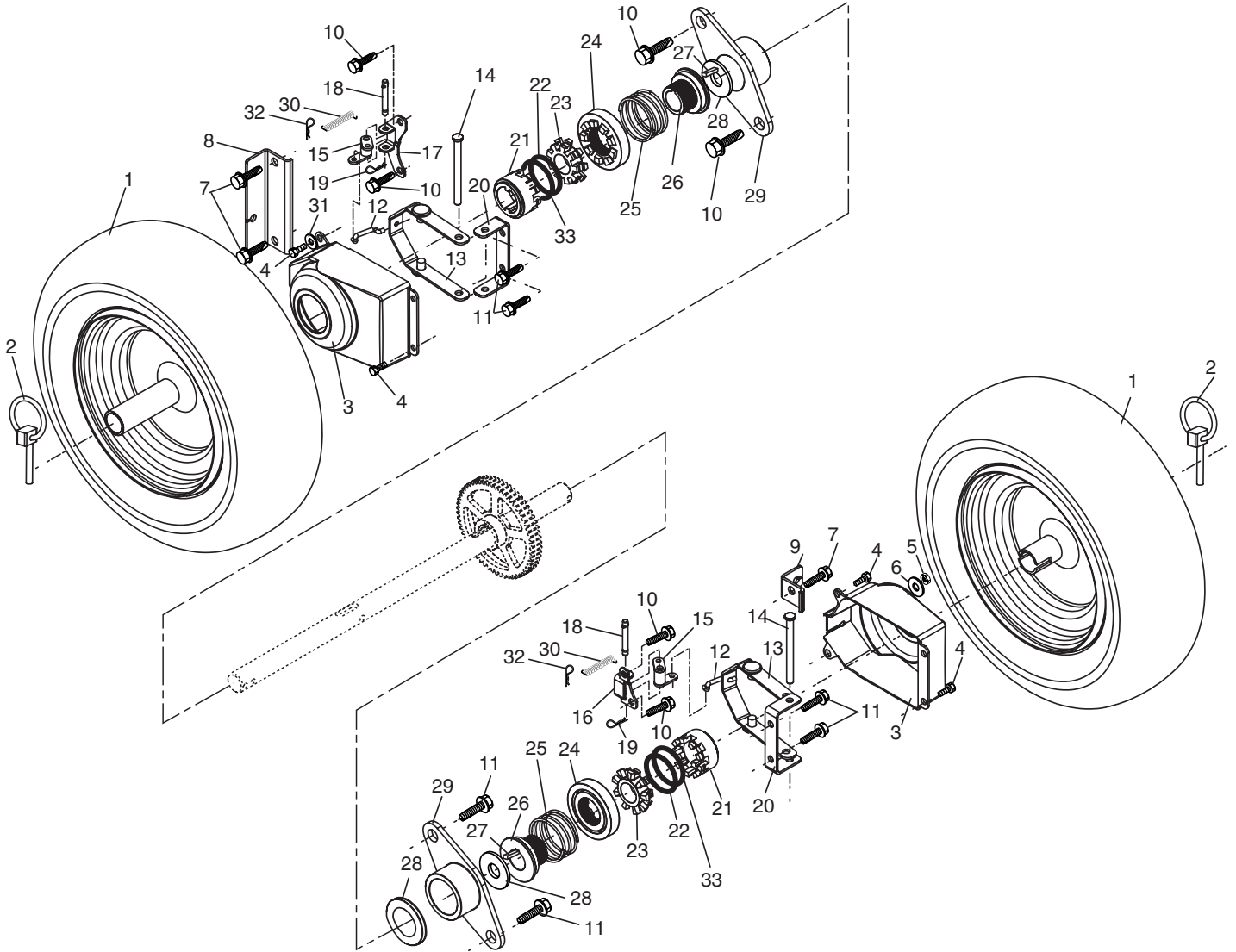
REPAIR PARTS**SNOW THROWER - MODEL NUMBER PP927ESA****CHASSIS / ENGINE / PULLEYS**

KEY NO.	PART NO.	DESCRIPTION
1	181044	Spring, Traction Idler
2	180522	Pulley, Idler (2-1/4)
3	---	Engine, Tecumseh, Model Number OHSK90 (Order parts from Engine manufacturer)
4	74780520	Screw, Hex Head 5/16-18 x 1-1/4
6	59289	Washer, Flat
7	73930500	Nut, Jam, Lock 5/16-18
8	175330	Pin, Idler Pivot
9	179092	V-Belt, Traction Drive
10	10040500	Washer, Lock 5/16
11	150078	Screw, Hex Head 5/16-18 x 3/4
12	184789	Impeller Idler Arm & Bracket Assembly (Includes Key numbers 8 and 13)
13	85179	Retainer, Hairpin
14	178828	Spring, Brake
15	183533	V-Belt, Impeller Drive
16	150406	Screw, Hex Head 3/8-16 x 1-1/4
17	179354X008	Arm, Idler
18	74780524	Screw, Hex Head 5/16-18 x 1-1/2
19	175331	Bushing, Idler Pivot
20	180523	Pulley, Idler (2-3/4)
21	74610516	Screw, Hex Head 5/16-18 x 1
22	179371	Spacer, Engine Pulley
23	180478	Pulley, Engine, Traction Drive
24	179157	Pulley, Engine, Impeller Drive
25	62735	Washer, Flat 3/8
26	10040600	Washer, Lock 3/8
27	851084	Screw, Hex Head 3/8-24 x 1-3/8
28	155452	Guide, Belt
29	180465	Cover, Belt
30	178830	Cover, Toolbox
31	17490408	Screw, Hex Head 1/4-20 x 1/2
32	179256	Bolt, Shoulder 5/16-18
33	179250	Bellcrank Shifter
34	180401	Screw, Hex Head 1/4-28 x 3/4
35	179240	Arm, Auger Control
36	73800500	Nut, Lock 5/16-18
37	178833X479	Bellcrank Assembly
38	179251	Link, Speed Control
39	179064	Trunnion, Pivot Bracket
40	178890	Nut, Cage 3/8-16
41	76020208	Pin, Cotter 1/16 x 1/2
42	179065	Pin, Pivot Bracket
43	179063X479	Bracket, Bellcrank
44	74780624	Screw, Hex Head 3/8-16 x 1-1/2
46	178624X479	Pan, Frame Bottom
47	71020512	Screw, Hex Head 5/16-18 x 3/4
48	181156	Nut, Speed 5/16-18
49	183852X428	Frame Assembly
50	178693X428	Plate, Frame End
51	179068X008	Shaft, Auger Control
52	57079	Washer, Hardened
53	179062	Roller
54	12000010	Ring, Retaining
55	700279	Clip, Retainer

NOTE: All component dimensions given in U.S. inches. 1 inch = 25.4 mm

REPAIR PARTS
WHEELS / DECALS

SNOW THROWER - MODEL NUMBER PP927ESA



REPAIR PARTS

WHEELS / DECALS

SNOW THROWER - MODEL NUMBER PP927ESA

KEY NO.	PART NO.	DESCRIPTION
1	178834	Wheel Assembly (16" Power Steer)
2	155443	Pin, Klik 1/4
3	181843	Cover, Power Steering
4	17541008	Screw, Hex Head #10-24 x 1/2
5	73800500	Nut, Lock 5/16-18
6	155415	Washer, Flat 5/16
7	71210616	Screw, Hex Head 3/8-16 x 1
8	182064X479	Bracket, Steer Cable RH
9	182044X479	Bracket, Steer Cable LH
10	150078	Screw, Hex Head 5/16-18 x 3/4
11	17490508	Screw, Hex Head 5/16-18 x 1/2
12	184393	Link, Steering Lever
13	184288X479	Lever Assembly, Steering
14	182015	Pin, Steering Lever
15	184361	Bellcrank Assembly
16	181982	Bracket Assembly, LH Steering
17	182063	Bracket Assembly, RH Steering
18	181847	Pin, Steering Bellcrank
19	85179	Retainer, Hairpin
20	179148X479	Bracket, Lever Assembly
21	179141	Driver, Wheel
22	182466	Ring, Wire Retainer
23	179136	Lobe, Wheel
24	179138	Slide, Clutch
25	179139	Spring, Clutch Slide
26	179137	Lobe, Axle
27	178879	Key, Square 1/4
28	174697	Washer, Thrust (1")
29	179830	Bearing, Axle
30	182226	Spring, Return
31	4802	Washer, Flat
32	700279	Clip, Retainer
33	12000045	Ring, Retaining

KEY NO.	PART NO.	DESCRIPTION
1	181037	Decal, Danger
2	183886	Decal, Poulan Pro, 9HP/27"
3	181035	Decal, Danger, Deflector
4	181042	Decal, Danger
5	183885	Decal, Poulan Pro
6	181033	Decal, Instruction
7	155798	Decal, Traction Lever
8	155800	Decal, Auger Lever
9	181039	Decal, Speed Control
10	183730	Decal, Remote Deflector
11	183907	Decal, LH Trigger
12	183905	Decal, RH Trigger
--	183616	Owner's Manual (English)
--	184742	Owner's Manual (French)

NOTE: All component dimensions given in U.S. inches
1 inch = 25.4 mm