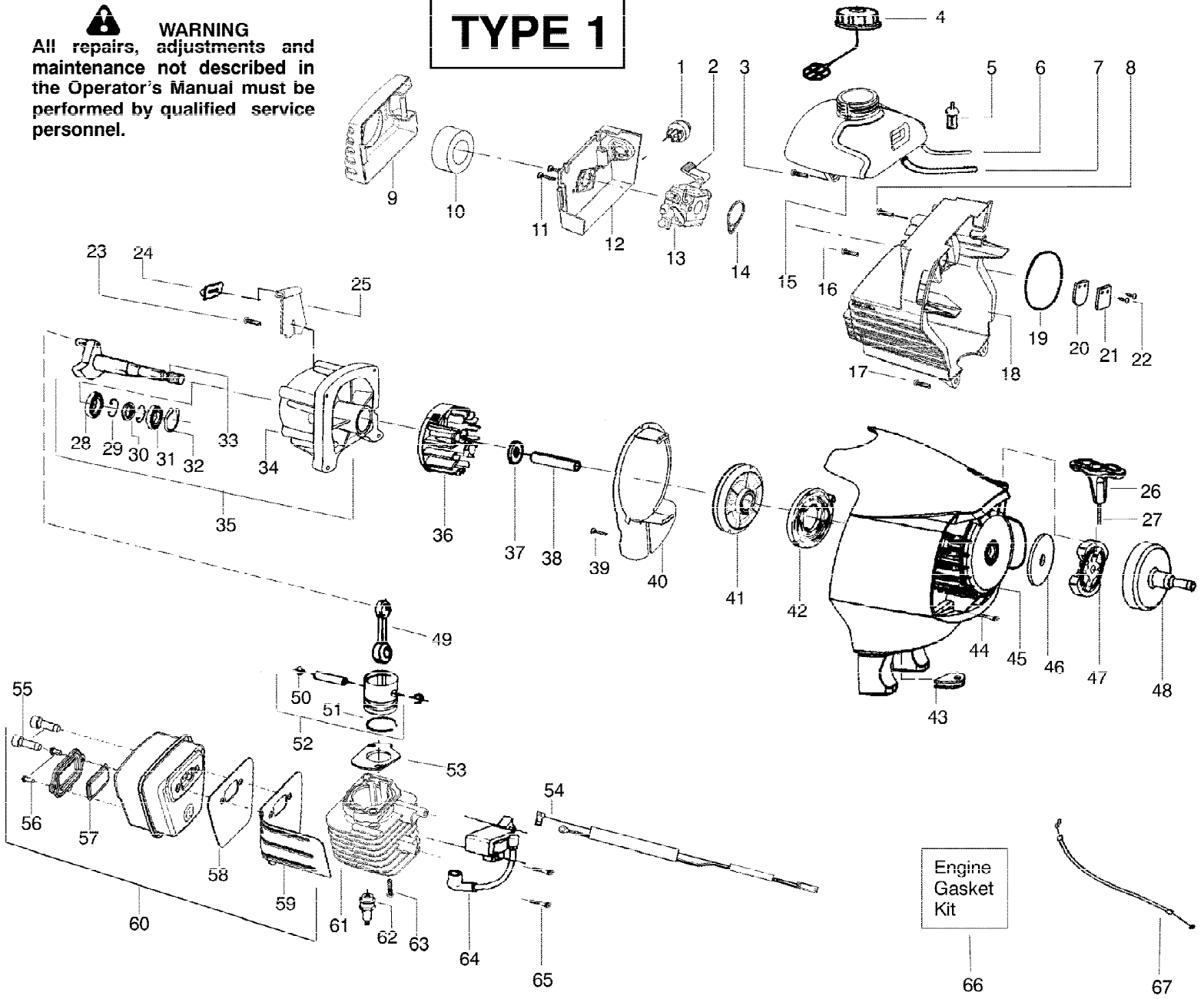
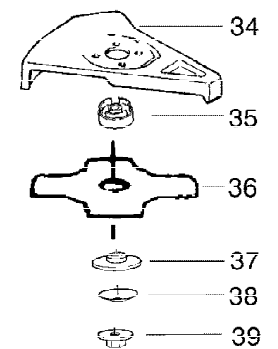
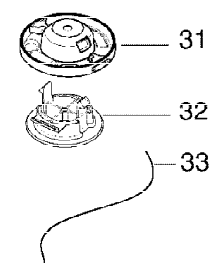
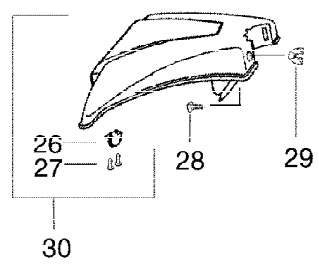
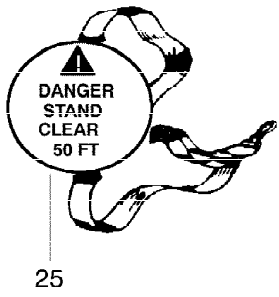
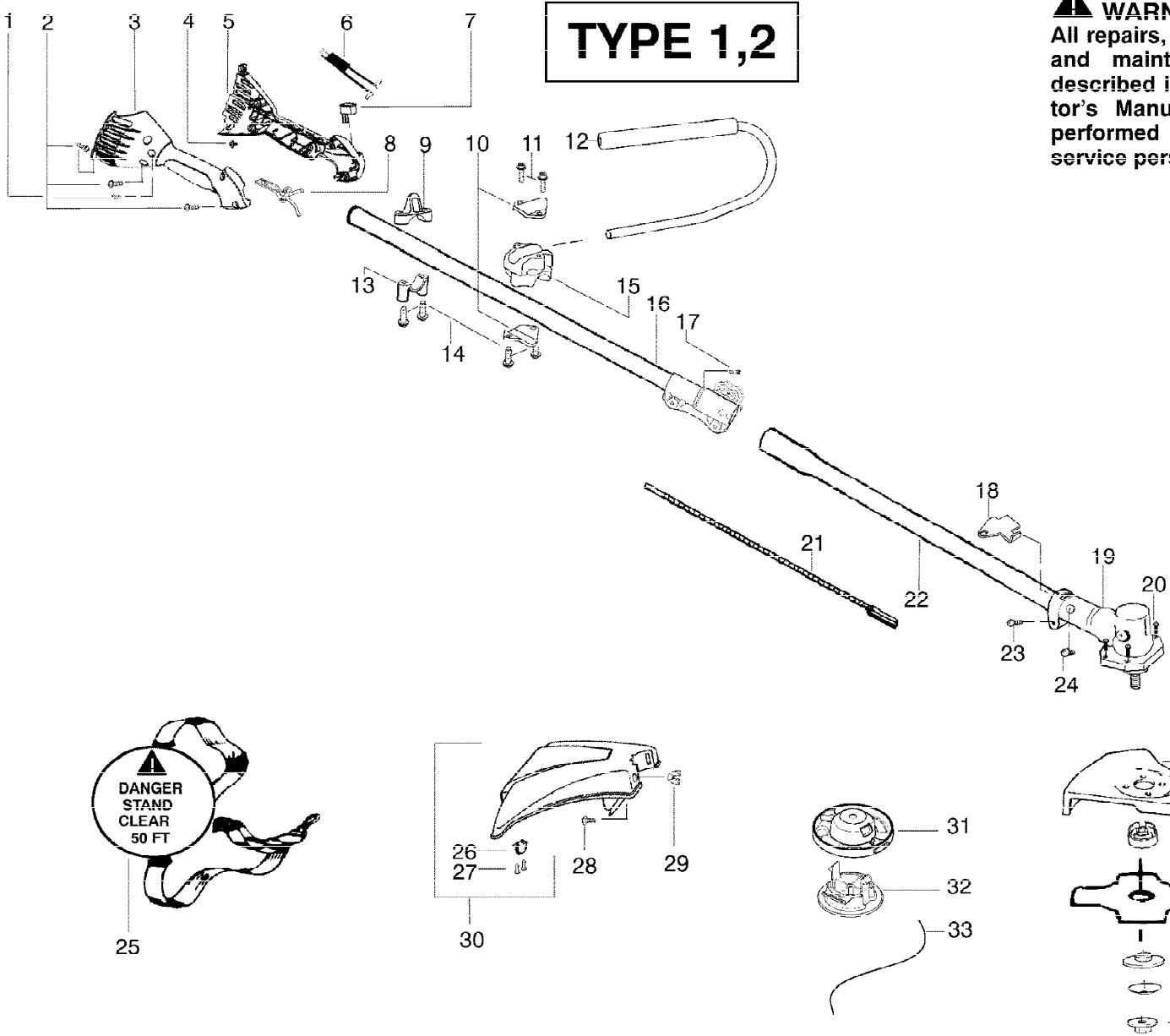
 **WARNING**
All repairs, adjustments and maintenance not described in the Operator's Manual must be performed by qualified service personnel.

TYPE 1



Ref #	Part Number	Qty	S/P/F	Description
1	530047721	1		Bulb-Purge
2	530071717	1		Kit-Choke Lever
3	530015843	1		Screw-tank
4	530049386	1		Cap-Fuel w/ret.
5	530095646	1	/P	Assy-Fuel pickup
6	530071404	1	S	Kit-Fuel line
7	530069216	1	/P	Kit-Fuel/Purge line
8	530015775	1		Screw
9	545000501	1		Cover-Air box
10	545082301	1		Filter-Air
11	530015849	1	/P	Screw-Carb.
12	545000601	1		Box-Air
13	545006017	1		Kit-Carb assy. (C1U-W32) (Note: Repair kits are not available for this carburetor)
14	545030102	1		Seal-Carb. (kit)
15	545075305	1	/P	Assy-Fuel Tank
16	530015771	1		Screw-Crankcase
17	530015952	1		Screw-Shroud
18	545000701	1		Assy-Rear Shroud
19	545030102	1		O-ring-Shroud (kit)
20	530027593	1		Valve-Reed
21	530029781	1		Stop-Reed
22	530016064	1	/P	Screw-Reed stop
23	530015875	1	/P	Screw-Retainer
24	530055492	1		Isolator-Tank
25	530054941	1		Ret.-Tank
26	530054834	1		Handle-Starter
27	545050410	1	S	Kit-Rope
28	545081601	1	/P	Bearing-Inner
29	530015787	1		Retainer
30	530019158	1		Seal
31	530032102	1		Bearing-Outer
32	530015789	1		Ret.-Crankshaft
33	530028807	1		Assy-Crankshaft
34	545081901	1	/P	Assy-Crankcase Incl. 28,29,30,31
35	545006037	1	/P	Assy-C'case/C'shaft Incl. 32,33,34
36	530055524	1	/P	Assy-Flywheel
37	530016030	1		Washer
38	530055620	1	/P	Spacer
39	530015775	1		Screw-Baffle
40	530054939	1	/P	Plate-Baffle
41	545050408	1		Kit-Pulley
42	545054901	1	S	Spring-Starter
43	530019182	1		Grommet
44	530015810	1		Screw-F/hsg.
45	530059254	1		Assy-Fan Housing
46	530094189	1		Washer-Clutch
47	530055122	1		Assy-Clutch
48	530150247	1	/P	Assy-Drum/Adapter
49	530010960	1		Assy-Conn. Rod
50	530015162	1		Ret.-Piston pin
51	530012594	1		Ring-Piston
52	530071998	1	/P	Kit-Piston Incl. 50,51

Ref #	Part Number	Qty	S/P/F	Description
53	545030102	1		Gasket-Cylinder (kit)
54	530058846	1		Assy-Leadwire
55	530016387	1		Bolt-Muffler 1/4"-20
56	530015241	1		Screw
57	545030502	1		Kit-Spark Arrestor
58	545030102	1		Gasket-Muffler (kit)
59	545033201	1		Shield
60	545006016	1		Kit-Muffler Incl. 55,56,57,58,59
61	530012586	1		Cylinder
62	952030249	1	/P	Plug-Spark(RCJ-6Y)
63	530001624	1		Bolt-Cyl. 1/4"-20
64	530039234	1	S/P	Module-Ignition
65	530016357	1		Screw-Module
66	545030102	1		Kit-Gasket/Seal Incl. 14,19, 53,58
67	530058962	1		Assy-Throttle cable



Ref #	Part Number	Qty	S/P/F	Description
1	530015805	1		Screw-alignment
2	530015886	1		Screw
3	530057983	1		Hsg.-Throttle-right
4	530016326	1		Screw-Cable Retention
5	530057984	1		Hsg.-Throttle-left
6	530058843	1		Assy-Wire
7	530069572	1	/P	Kit-Switch
8	530058759	1		Trigger-Throttle
9	530057986	1		Clamp-Harness (upper)
10	530058563	1		Clamp-Bracket
11	530015886	1		Screw
12	530071996	1	/P	Assy.-Handlebar incl. grip,cap,decal
13	530057987	1		Clamp-Harness (lower)
14	530015940	1		Screw
15	530058765	1		Clamp-Handlebar
16	545006039	1		Kit-Upper Shaft Incl. Flex,clamp & 17
17	530016344	1		Screw
18	530057554	1		Bracket-Shield
19	530096100	1		Gearbox
20	530016312	1		Screw
21	530096218	1		Shaft-Flex (lower)
22	545006040	1		Assy-Lower Shaft
23	530016014	1	/P	Screw
24	530015775	1		Screw
25	530094408	1		Shoulder Strap
26	530052285	1	/P	Limiter-Line
27	530015814	1	/P	Screw
28	530015820	1		Bolt
29	530016152	1	S	Wingnut
30	530071997	1	/P	Kit-Shield Assy. incl. 26,27
31	545049401	1		Head-Fixed line
32	545049501	1		Cap-Fixed Line
33	952711635	1		Accy-Line (12 pcs.)
34	530071383	1	/P	Kit-Metal Shield
35	530095815	1		Dust cup
36	952711584	1		Accy.-Weed Blade
37	530095816	1		Washer
38	530016240	1	/P	Washer-Belleville
39	530015793	1		Nut-Flange
	545137275	1		Operator Manual Not Shown
	530059209	1		Decal-Shaft Warning Not Shown
	530056335	1		Decal-Blade Direction Not Shown
	530031159	1	/P	Wrench-Hex 5/32" Not Shown
	530056221	1		Decal-Upper Shaft Warning Not Shown