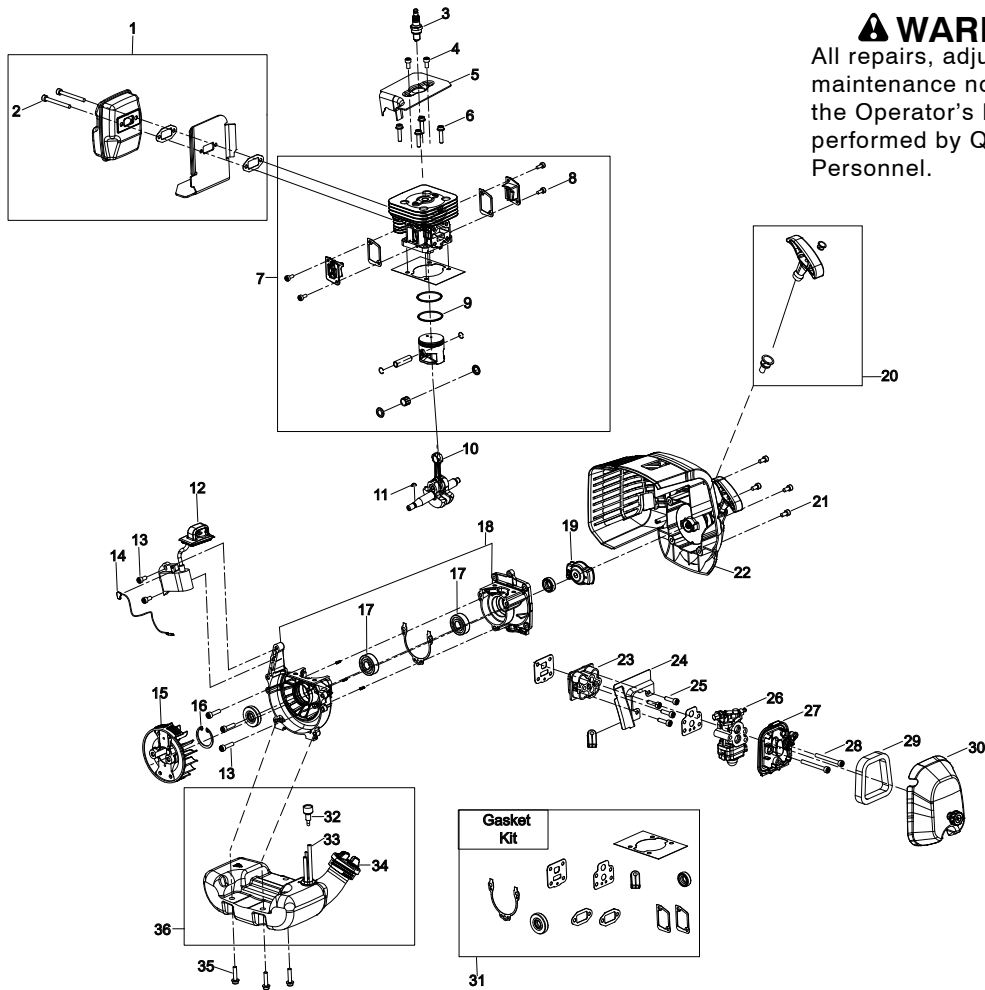


| | | | |
|---|-----|------------------------------|---------|
| Parts List No. | | Poulan PRO PARTS LIST | MODEL |
| Date 10/14/09 | NEW | | PPBP30 |
| NOTE : Illustration may differ from actual model due to design changes. | | | Page: 1 |



⚠ WARNING

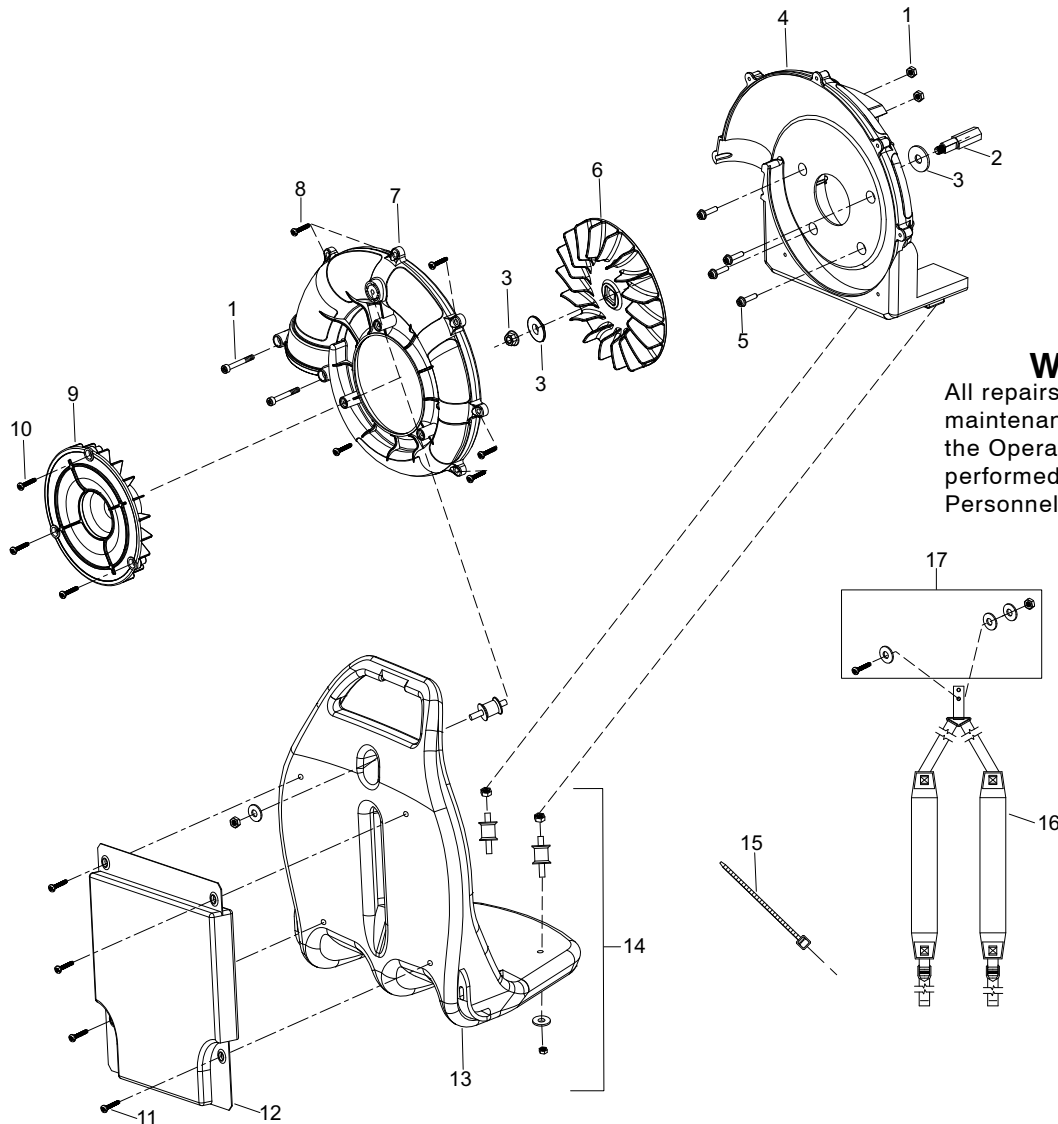
All repairs, adjustments and maintenance not described in the Operator's Manual must be performed by Qualified Service Personnel.

| Ref. | Part No. | Description | Ref. | Part No. | Description |
|------|-----------|---|------|-----------|---|
| 1. | 574859701 | Kit - Muffler (Incl. 2) | 26. | 574590501 | Carburetor |
| 2. | 575532301 | Screw (2 pack) (9SXMBJ05-50) | 27. | 575630601 | Assembly - Filter Base (with choke lever) |
| 3. | 575630301 | Spark Plug | 28. | 575531901 | Screw (2 pack) (9SGEB-05-52) |
| 4. | 575532501 | Screw (4 pack) (9SGEB-05-10) | 29. | 574590201 | Filter |
| 5. | 574587301 | Plate (spark side) | 30. | 575630701 | Assembly - Filter (with knob) |
| 6. | 575532401 | Screw (4 pack) (9SRCB-05-22) | 31. | 574859601 | Kit - Gasket |
| 7. | 574859501 | Kit - Cylinder / Piston (Incl. 8,9) | 32. | 574859301 | Kit - Vent |
| 8. | 575532201 | Screw (4 pack) (9SGEB-04-10) | 33. | 574859401 | Kit - Fuel Line & Filter |
| 9. | 574588701 | Ring - Piston | 34. | 574607701 | Assembly - Fuel Cap with retainer |
| 10. | 574588201 | Assembly - Crankshaft & Rod | 35. | 575531501 | Screw (6 pack) (9SKKBY05-18) |
| 11. | 574589301 | Key | 36. | 574592401 | Assembly - Fuel Tank (Incl. 32, 33, 34) |
| 12. | 575630401 | Ignition Coil (9288-320601-CH) | | | |
| 13. | 575532101 | Screw (5 pack) (9SGEB-05-20) | | | |
| 14. | 574589701 | Coil Wire | | | |
| 15. | 574592301 | Flywheel | | | |
| 16. | 574592201 | C-Ring | | | |
| 17. | 575531601 | Bearing (2 pack) (9DB-620101) | | | |
| 18. | 574591701 | Assembly - Crankcase (Incl. pins, screws) | | | |
| 19. | 574590001 | Assembly - Pawls | | | |
| 20. | 574859201 | Kit - Rope & Handle | | | |
| 21. | 575532001 | Screw (4 pack) (9SGKB-05-12.5) | | | |
| 22. | 575630501 | Assembly - Starter Housing (Incl. 20) | | | |
| 23. | 574591401 | Insulator | | | |
| 24. | 574590801 | Plate | | | |
| 25. | 575531801 | Screw (4 pack) (9SKKB-05-19) | | | |

✓ = New Part Number For This IPL

★ = Refer to the Service Reference Indicated for more information. (Located at the END of the IPL)

| | | | |
|---|-----|------------------------------|---------|
| Parts List No. | | Poulan PRO PARTS LIST | MODEL |
| Date 10/14/09 | NEW | | PPBP30 |
| NOTE : Illustration may differ from actual model due to design changes. | | | Page: 2 |



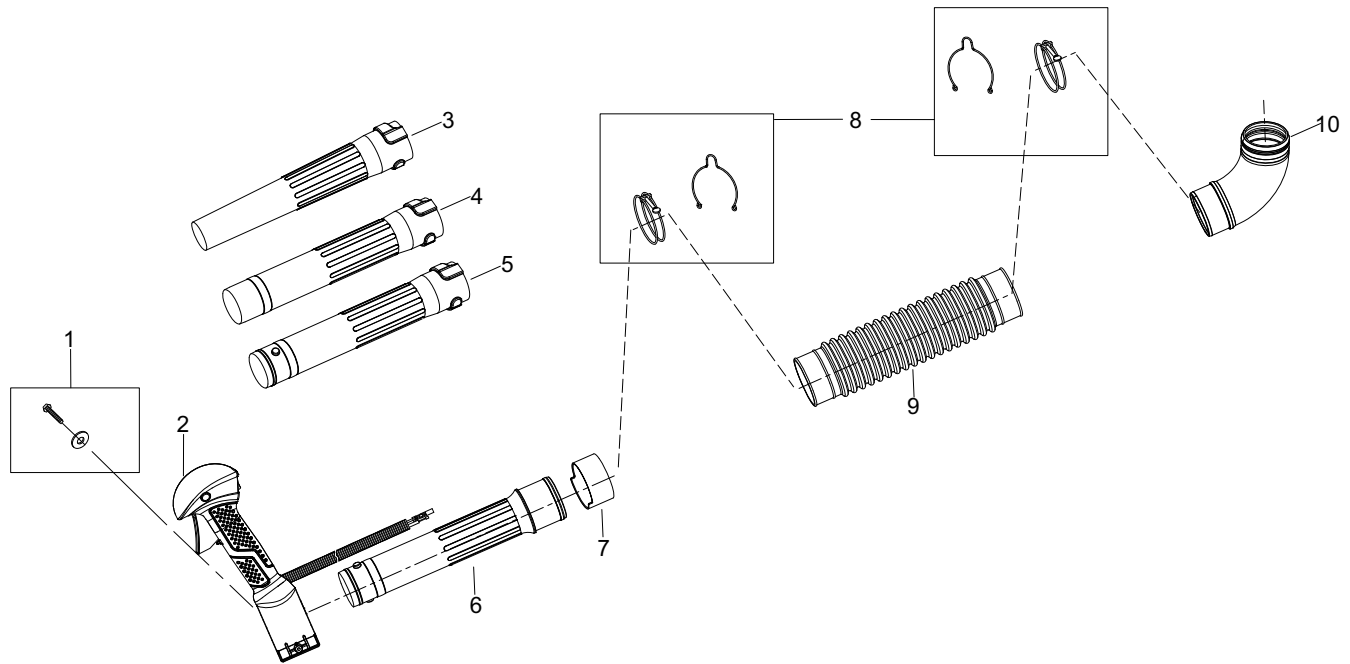
WARNING
All repairs, adjustments and maintenance not described in the Operator's Manual must be performed by Qualified Service Personnel.

| Ref. | Part No. | Description | Ref. | Part No. | Description |
|------|-----------|--|------|-----------|------------------------|
| 1. | 574860201 | Kit - Elbow Retention | 15. | 574596301 | Ligate Tape |
| 2. | 574592701 | Connect Axis | 16. | 574594801 | Harness |
| 3. | 574859801 | Kit - Impeller Washer & Nut | 17. | 574860001 | Kit - Harness Hardware |
| 4. | 575630801 | Front Screw Housing | | | |
| 5. | 575531401 | Screw (4 pack) (9SRCBM05-30) | | | |
| 6. | 574593401 | Impeller | | | |
| 7. | 575630901 | Rear Screw Housing | | | |
| 8. | 575532601 | Screw (6 pack) (9SKKBY8/16-0.75) | | | |
| 9. | 574594001 | Cover | | | |
| 10. | 575532701 | Screw (6 pack) (9SKKBB05-18) | | | |
| 11. | 575532801 | Rivet - Ribbed (4 pack) (9RGB7.14-16.27) | | | |
| 12. | 574594501 | Cushion Back | | | |
| 13. | 574594201 | Frame | | | |
| 14. | 574859901 | Kit - Isolator | | | |

✓ = New Part Number For This IPL

★ = Refer to the Service Reference Indicated for more information.(Located at the END of the IPL)

| | | | |
|---|-----|------------------------------|---------|
| Parts List No. | | Poulan PRO PARTS LIST | MODEL |
| Date 10/14/09 | NEW | | PPBP30 |
| NOTE : Illustration may differ from actual model due to design changes. | | | Page: 3 |



⚠ WARNING

All repairs, adjustments and maintenance not described in the Operator's Manual must be performed by Qualified Service Personnel.

| Ref. | Part No. | Description |
|------|-----------|---------------------------|
| 1. | 574860101 | Kit - Throttle Retention |
| 2. | 575631001 | Assembly - Throttle Lever |
| 3. | 574596001 | 40mm End Pipe |
| 4. | 574595901 | 56mm End Pipe |
| 5. | 574595801 | Middle Pipe |
| 6. | 574595701 | Base Pipe |
| 7. | 574595601 | Active Ring |
| 8. | 574860301 | Kit - Clamp |
| 9. | 574595501 | Flex Pipe |
| 10. | 574595201 | Elbow Pipe |