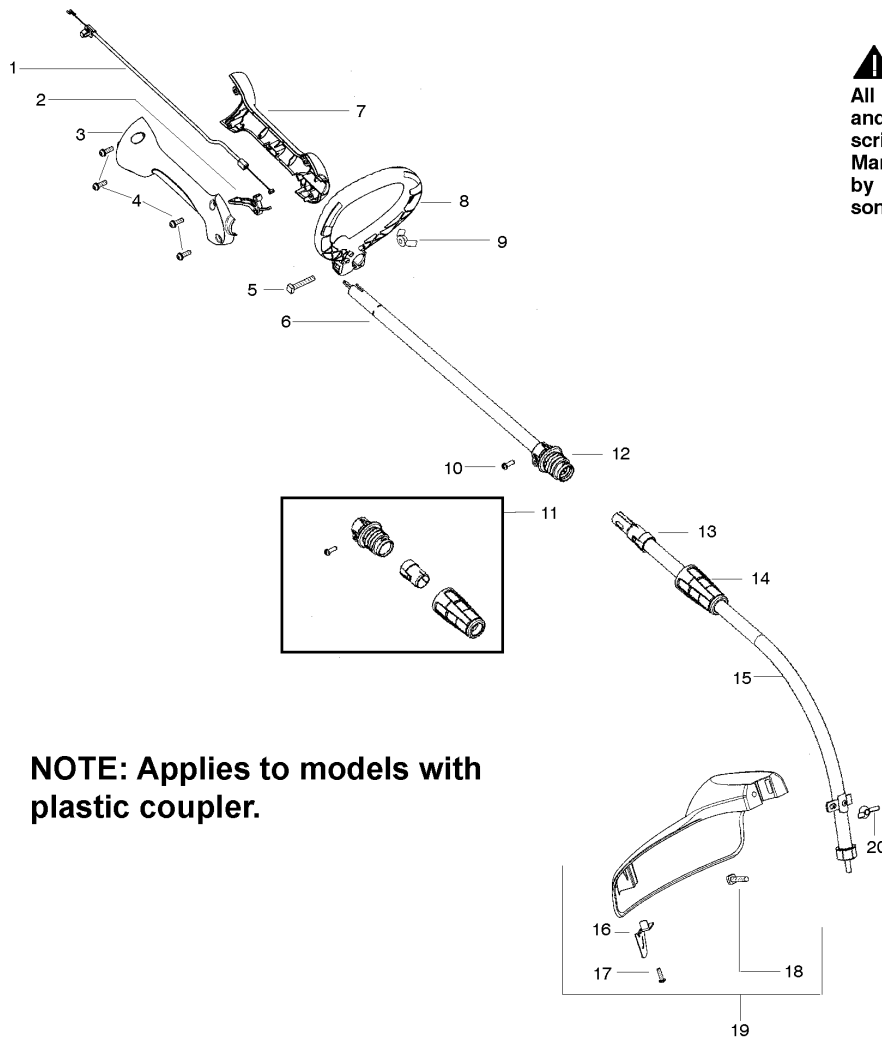




SPARE PARTS LIST

TRIMMERS/EDGERS

W25CBK, 967633502, 2018-09



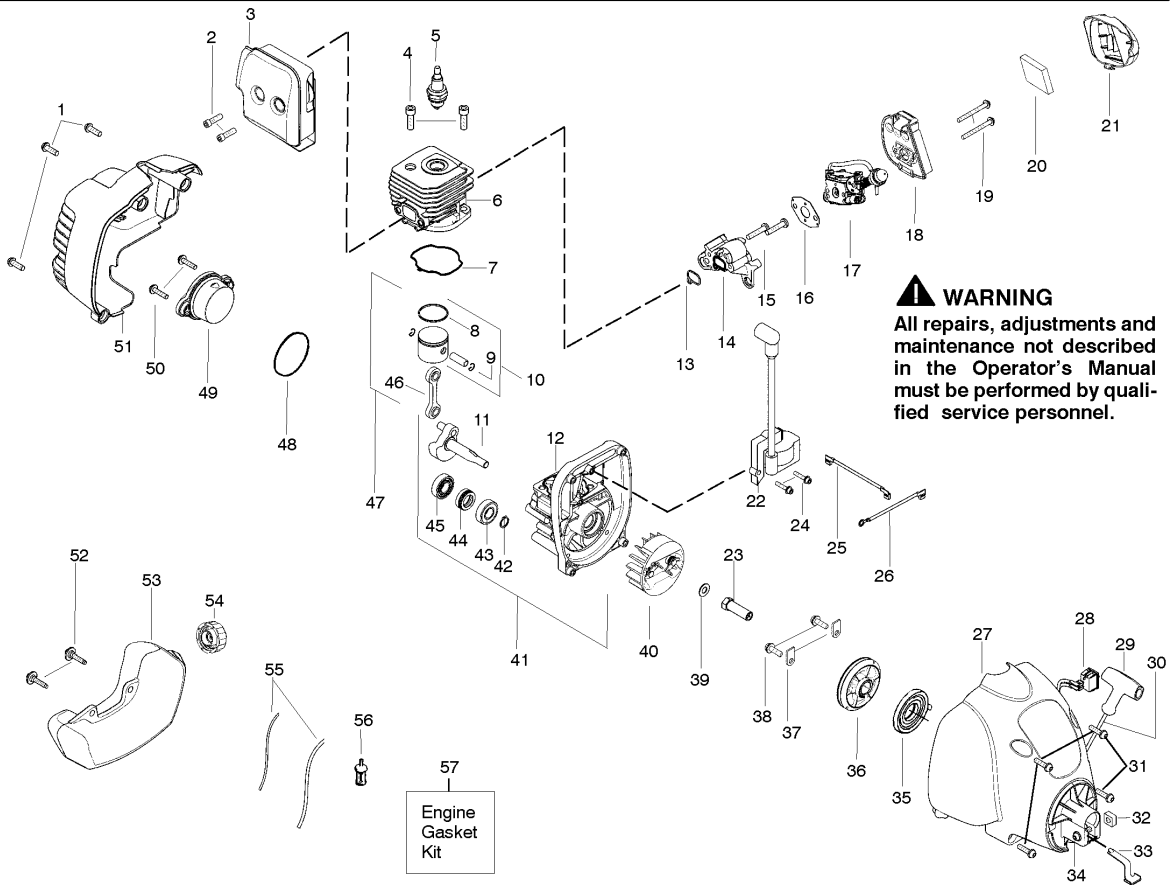
⚠ WARNING
All repairs, adjustments and maintenance not described in the Operator's Manual must be performed by qualified service personnel.

NOTE: Applies to models with plastic coupler.

SHAFT & HANDLE

W25CBK, 967633502, 2018-09

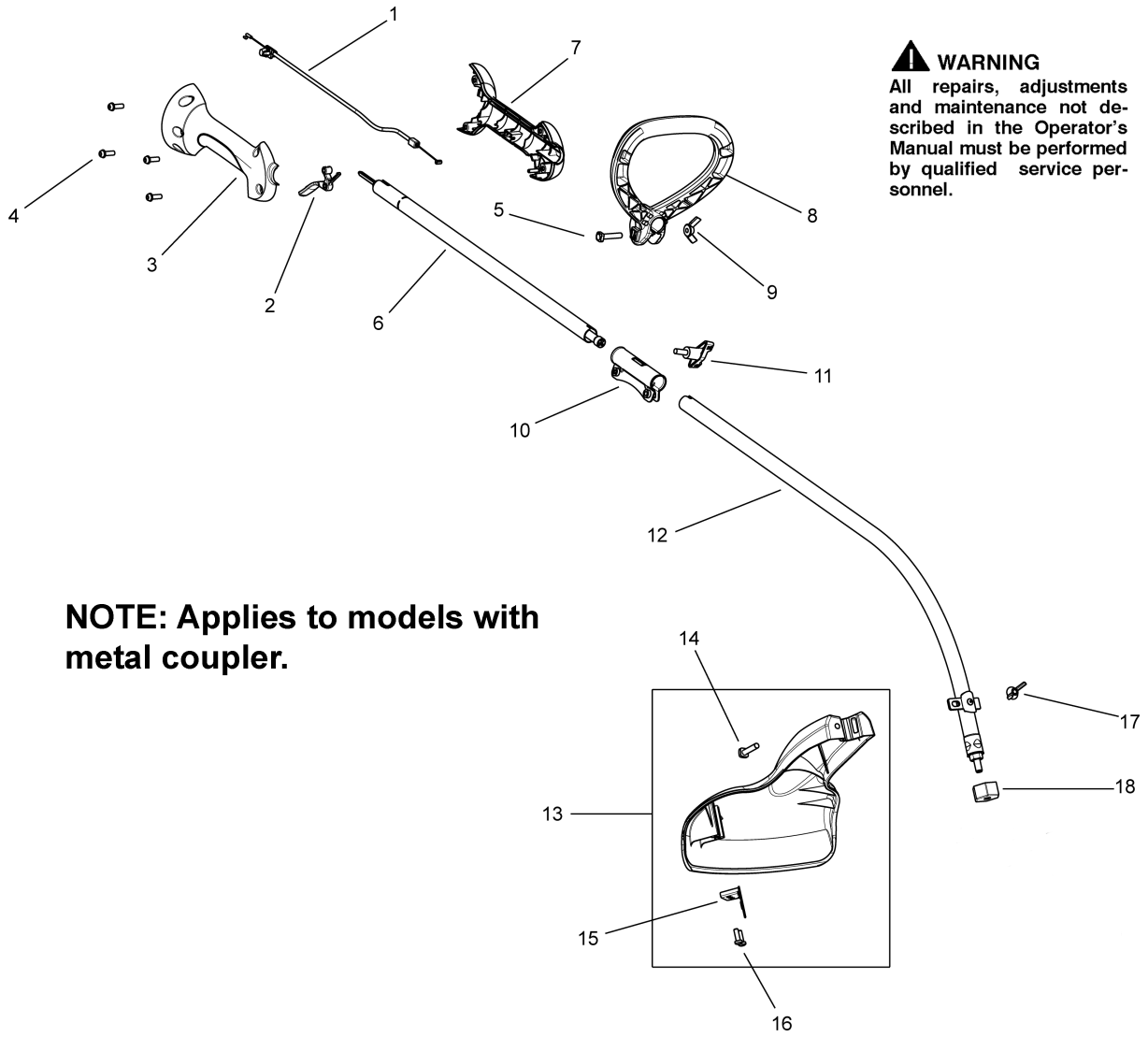
Ref	Part No	Description	Remark	QTY	KIT
1	530 05 79-91	ASSEMBLY		1	
2	530 05 80-00	TRIGGER		1	
3	530 05 75-82	THROTTLE HSG. (RIGHT)		1	
4	530 01 58-80	SCREW		1	
5	530 01 58-21	SCREW		1	
6	545 00 80-59	SHAFT		1	10,12
7	530 05 75-81	HSG THROTTLE LH		1	
8	530 05 85-80	HANDLE ASSY		1	5,9
9	530 01 61-52	WING NUT		1	
10	530 01 58-80	SCREW		1	
11	581 53 50-01	DRIVE SHAFT ASSY		1	10,12,13,14
12	000 00 00-00	W/O DESCRIPTION	REF 11	1	
13	000 00 00-00	W/O DESCRIPTION	REF 11	1	
14	000 00 00-00	W/O DESCRIPTION	REF 11	1	
15	581 49 49-04	DRIVE SHAFT ASSY		1	13,14
16	530 05 22-86	LINE	LIMITER	1	
17	530 01 63-49	SCREW		1	
18	530 01 58-20	SCREW		1	
19	581 49 48-01	SHIELD		1	16,17,18,20
20	530 01 61-52	WING NUT		1	



ENGINE

W25CBK, 967633502, 2018-09

Ref	Part No	Description	Remark	QTY	KIT
1	530 01 58-14	SCREW		1	
2	530 05 89-82	BOLT		1	
3	591 42 99-01	MUFFLER ASSY	INCL 2	1	
4	530 01 59-53	SCREW		1	
5	530 03 01-79	PLUG SPARK (RCJ6-Y)	RCJ-6Y	1	
5	579 70 43-03	SPARK PLUG	QCJ-6Y	1	
6	530 01 25-41	CYLINDER		1	
7	000 00 00-00	W/O DESCRIPTION	REF 57	1	
8	545 15 40-01	PISTON RING		1	
9	530 01 51-62	CIRCLIP		1	
10	530 07 13-57	KIT PISTON	"INCL 8, 9"	1	
11	530 05 78-29	CRANKSHAFT ASSY		1	
12	530 01 25-82	CRANKCASE	"INCL 43, 44, 45"	1	
13	000 00 00-00	W/O DESCRIPTION	REF 57	1	
14	530 05 75-47	ADAPTER		1	
15	530 01 64-41	SCREW		1	
16	000 00 00-00	W/O DESCRIPTION		1	
17	545 18 08-87	KIT CARB ASSY WT924		1	
18	530 05 75-85	BASE AIRBOX		1	
19	530 01 64-28	SCREW		1	
20	530 05 77-81	AIR FILTER		1	
21	576 69 44-01	COVER		1	
22	578 28 70-01	IGNITION MODULE		1	
23	530 03 86-04	DRIVE COUPLING		1	
24	545 00 39-03	SCREW		1	
25	530 01 46-63	CABLE		1	
26	581 42 59-01	WIRE ASSY		1	
27	580 41 08-02	HOUSING		1	
28	545 08 18-69	KIT SWITCH MOMENTARY		1	
29	530 02 75-69	STARTER HANDLE		1	
30	530 07 17-98	KIT		1	
31	530 01 63-86	SCREW		1	
32	530 01 61-24	NUT		1	
33	530 05 75-88	CLIP		1	
34	530 01 64-30	SCREW		1	
35	545 05 49-01	SPRING		1	
36	545 05 04-07	KIT		1	
37	530 02 75-23	RETAINER		1	
38	530 01 62-24	SCREW		1	
39	530 01 58-28	WASHER		1	
40	530 05 41-15	FLYWHEEL		1	
41	530 07 17-68	ASSEMBLY		1	11,12,42
42	530 01 59-41	CLIP		1	
43	530 05 57-28	BEARING		1	
44	530 01 92-64	SEAL		1	
45	530 03 21-25	BEARING		1	
46	530 06 99-45	CONNECTING ROD		1	
47	530 07 17-85	PISTON		1	10,46
48	000 00 00-00	W/O DESCRIPTION	REF 57	1	
49	530 05 79-54	PLUG		1	48
50	530 01 63-86	SCREW		1	
51	545 01 10-04	REAR COVER		1	
52	530 01 64-45	SCREW FUEL TANK RETAINER		1	
53	581 26 37-01	FUEL TANK ASSY		1	
54	579 74 66-01	FUEL CAP ASSY		1	
55	000 00 00-00	W/O DESCRIPTION	REF 53	1	
56	530 09 56-46	FILTER		1	
57	530 07 17-50	GASKET KIT		1	7,13,16,48

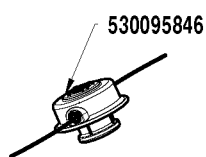


SHAFT & HANDLE

W25CBK, 967633502, 2018-09

Ref	Part No	Description	Remark	QTY	KIT
1	530 05 79-91	ASSEMBLY	THROTTLE CABLE	1	
2	530 05 80-00	TRIGGER		1	
3	530 05 75-82	THROTTLE HSG. (RIGHT)	RIGHT	1	
4	530 01 58-80	SCREW		4	
5	530 01 58-21	SCREW		1	
6	581 49 49-13	DRIVE SHAFT ASSY		1	10,11
7	530 05 75-81	HSG THROTTLE LH	LEFT	1	
8	530 05 85-80	HANDLE ASSY		1	5,9
9	530 01 61-52	WING NUT		1	
10	590 08 92-01	COUPLER	INCLUDES BOLTS	1	
11	582 61 47-01	KNOB		1	
12	581 49 49-20	DRIVE SHAFT ASSY	LOWER END	1	18
13	530 07 19-72	KIT	SHIELD	1	14,15,16
14	530 01 58-20	SCREW		1	
15	530 05 22-86	LINE	LIMITER	1	
16	530 01 63-49	SCREW		1	
17	530 01 61-52	WING NUT		1	
18	581 74 76-01	CUP		1	
	530 05 85-79	ASSY THROTTLE HSG		1	1,2,3,4,7

TRIMMER HEAD OPTIONS



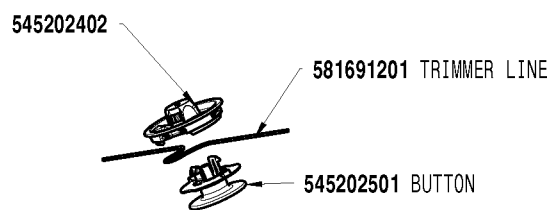
TRIMMER HEAD "A"

TAP'N GO 6



TRIMMER HEAD "B"

TAP'N GO 7 (P25)



TRIMMER HEAD "C"

FIXED LINE

TRIMMER HEAD

W25CBK, 967633502, 2018-09

Part No	Description	Remark	QTY KIT
530 09 58-46	TRIMMER HEAD	TNG 6	1
545 20 24-02	HEAD CUTTING FIXED LINE	Fixed	1
545 20 25-01	CAP	Fixed	1
581 69 12-01	LINE	Fixed	1
589 93 63-01	TRIMMER HEAD	TNG 7 (P25)	1