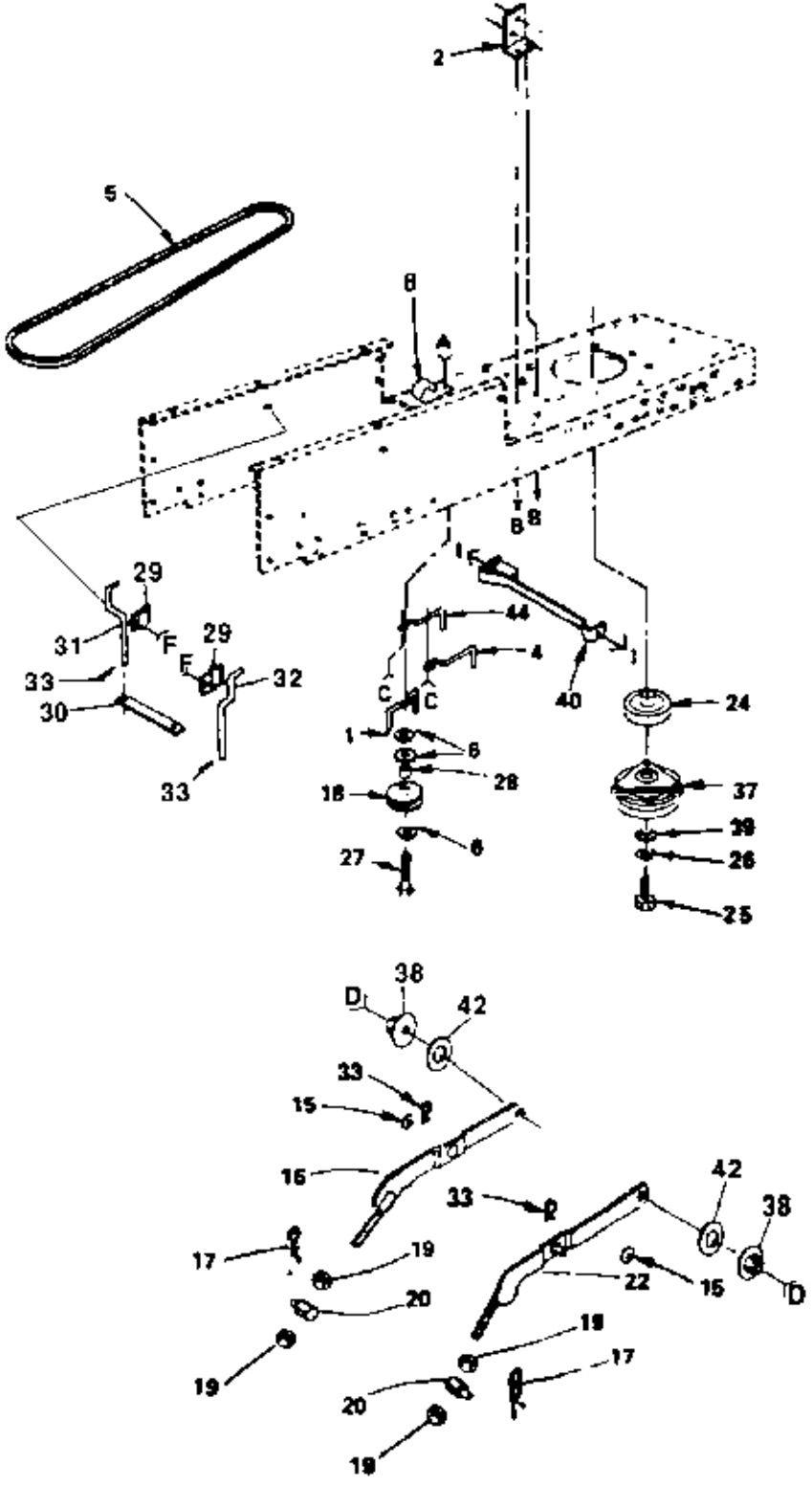


14 HP 38" LAWN TRACTOR - - MODEL NUMBER Y1438B

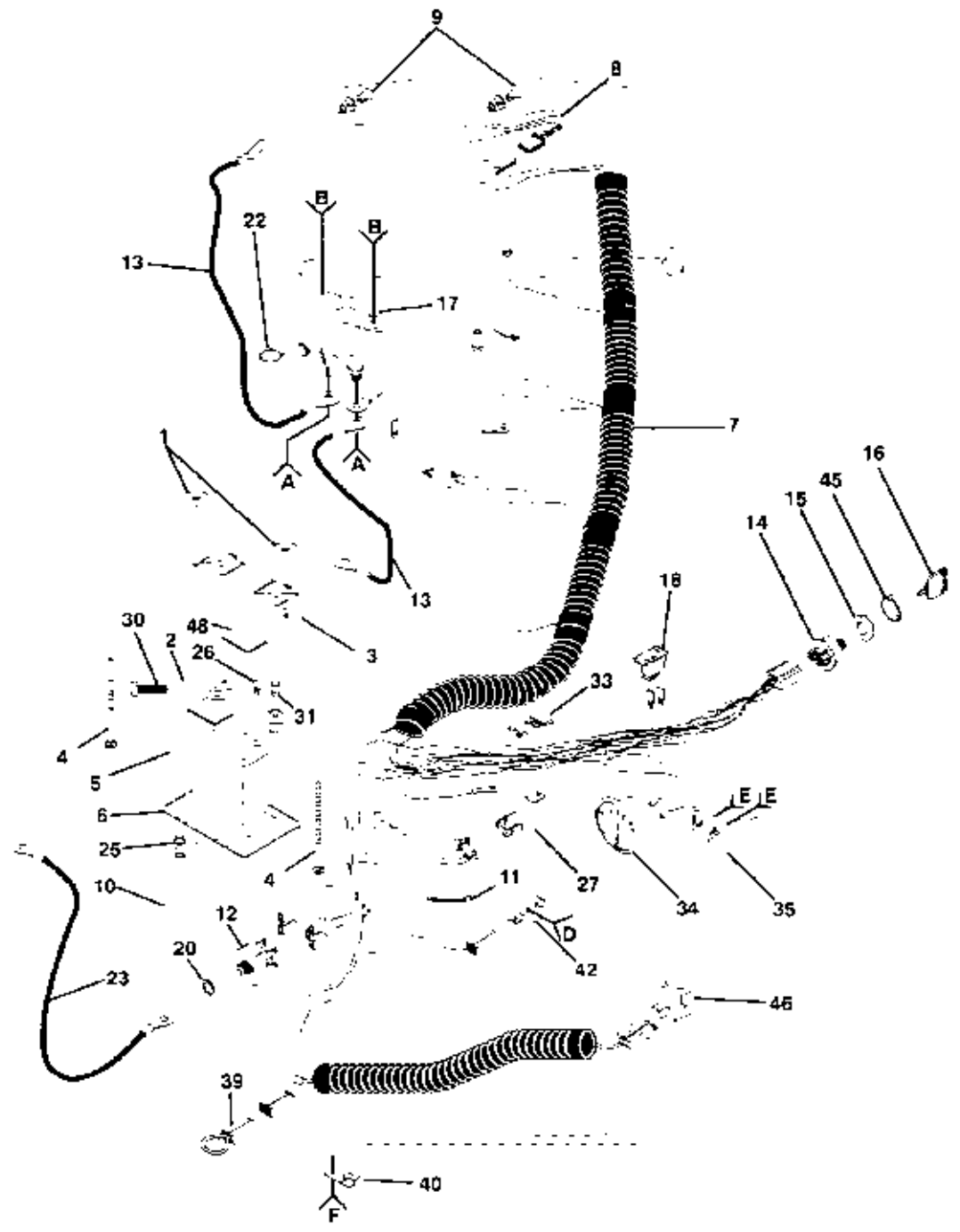
DRIVE GROUP



Ref #	Part Number	Qty.	Description
1	109070X		BELT KEEPER LT
2	108236X		BRACKET LT
4	105730X		"KEEPER,BLT ENG LT"
5	125907X		BELT-V.90.0.GD.DR
6	19131312		WASHER
8	2751R		CLIP T
15	19171516		WASHER T
16	121599X		LH SUSP ARM ASM
17	9135R		SPRING H
18	123674X		PULLEY.IDLER.FLAT
19	73220800		NUT
20	106308X		SUB= 130171
22	121598X		RH SUSP ARM ASM
24	109841X		SUB= 136905
25	71130764		SUB= 71130768
26	10040700		LOCKWASHER
27	74760644		BOLT
28	4470J		SPACER T
29	106190X		CLAMP LT
30	123770X		STRAP LOCATOR
31	123662X		KEEPER BELT LH
32	123663X		KEEPER BELTRH
33	4921H		SPRING.RETAINER
37	108218X		SUB= 142600
38	73980600		NUT SPECIAL T
39	126197X		WASHER
40	109169X		SUB= 109172X
42	110739X		WASHER T
44	121218X		KEEPER BELT ENGLH

14 HP 38" LAWN TRACTOR - - MODEL NUMBER Y1438B

ELECTRICAL



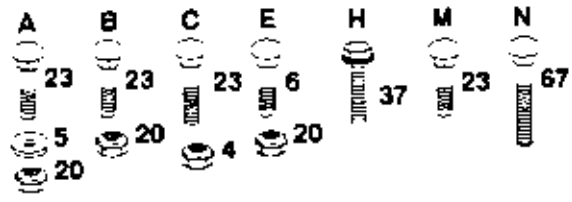
Ref #	Part Number	Qty.	Description
2	19091016		WASHER
3	102476X		SUB= 150109
4	72240460		BOLT
5	121537X		SUB= 123899X
6	7603J		"TRAY T, BATTERY"
7	7603J		"TRAY T, BATTERY"
8	127441X		SUB= 136850
9	4152J		HEADLAMP BULB
10	7604J		SUB= 7697J
11	7192J		WIRE TIE
12	126016X		SUB= 4021J
13	4206J		CABLE-BATTERY T
14	102972X		SUB= 918102972X
15	109788X		SUB= 124211X
16	122147X		KEY
17	109081X		SUB= 146154
18	110712X		SWITCH LT
20	4022J		HEX NUT T
22	719J		SUB= 154336
23	4207J		CABLE T
25	109596X		HOSE CLAMP T
26	10040400		LOCKWASHER
27	109748X		RELAY ASSY T
30	74760412		BOLT LT
31	73220400		SUB= 50675
33	108824X		FUSE HYT
34	9433R		AMMETER T
35	6009J		SUB= 532131708
39	102501X		SUB= 141940
40	235R		CLIPT
42	104445X		SWITCH-INTER. GT
45	109787X		SUB= 147626
46	121305X		SWITCH SEAT
48	121264X		"CAP,BATTERY "
	127903		NLA
	127796		NLA
	101539X		SHEET INSTR LT
	101572X		SHEET-INSTRUCTION (FRENCH)
	121549X		DECAL

Ref #	Part Number	Qty.	Description
1	120068X		"KNOB 1/2"" YT"
2	74760616		BOLT
3	121890X394		SUB= 132637X505
4	121444X		PLATE
5	124252X		SUB= 140398
6	104783X		DASH ASSY LT
8	110853X		SUPPORT RH YTH
9	106965X		SUB= 140181
10	124130X		SUPPORT ASS"Y
12	124238X		CAP SPRING
13	106784X		SUB= 155013
14	104618X		SUB= 155013
15	121886X394		SUB= 150301X505
16	124392X417		SUB= 147717
17	106395X		LENS LT
18	110855X		SUPPORT LH YTH
19	104801X		NLA
20	105419X423		"STRAP,GRILL "
21	110854X		SUPPORT RH YTH
23	110852X		SUPPORT LH YTH
24	121889X394		SUB= 132636X505
25	110828X		SUB= 133748
26	105464X423		FOOTREST
27	127166X		CHASSIS
28	127866		DRAWBAR LT/YT
30	121248X		BUSHING
31	124118X		PANEL DASH LH
32	105465X423		FOOTREST
33	127018X		"BOLT,SHOULDER"
34	73680500		SUB= 73690500
35	19171912		WASHER
36	124587X		SADDLE
37	11030400		LOCKWASHER GT
39	1554J		SUB= 155108
41	124181X		SPRING COMPRESSIO
43	127429X		SUB= 140121
44	72170410		BOLT
45	121642X423		NLA
47	8022J		PLUG-DASH T
50	74760612		SUB= 74780612
51	19131312		WASHER
52	73680600		SUB= 73690600
53	74760620		SUB= 74780620
55	17211010		SCREW LT
56	104755X		""J"" FASTENER LT"
57	17490612		SCREW
58	121236X		SPACER
59	17490612		SCREW
60	123481X		SUB= 7605J
61	123650X		STUD.1/4.TURN
62	73680400		SUB= 73690400
65	17490608		SCREW LT
66	124294X		SUB= 155925
68	105838X		RETAINER LT
69	105839X		RECEPTACLE LT
72	17431008		SUB= 98000165
73	74760532		BOLT
74	73510500		NUT
75	105509X		SUB= 137113
76	74180512		SCREW

Ref #	Part Number	Qty.	Description
76	74180512		SCREW
78	17490412		SCREW HEX CRT
81	121794X		COVER ACCESS
84	72110606		BOLT
85	128866		"PAD,FOOTREST"
86	74191008		SCREW
87	10071000		LOCKWASHER
88	2029J		WELDNUT
89	109808X		HOOD LATCH T
90	74981020		SCREW
91	7206J		SPACER LT
92	73731000		NUT
93	105511X		SUB= 140675
94	126656X		SUB= 140551
95	105529X		SUB= 139888
96	105531X		NUT-PUSH YT
97	19070818		WASHER
99	126294X		BAFFLE
100	108105X		SUB= 133746
103	19131614		WASHER
104	9151R		SNAP BUSHING T
107	110436X		SUB= 9151R
108	64316320		SUB= 105037X
109	11050400		LOCKWASHER
110	73490400		SUB= 146525
111	11050600		LOCKWASHER
112	19091216		WASHER PM
113	73220400		SUB= 50675
115	19111116		WASHER
117	2751R		CLIP T
119	121251X		STRIP FORM
120	19131210		WASHER
121	121249X		SPACER SPLIT
122	121250X		SPRING
123	123976X		SUB= 73900400
124	74641008		SUB= 71031008
125	73951000		"NUT,KEPS"
126	4171R		CLIP T
127	121246X		BRKT SWITCH
	123965X		DECAL HOOD LH
	123966X		NLA
	126167X		DECAL
	123964X		NLA
	120822X		DECAL
	101892X		DECAL T
	109199X		SUB= 146046
	109821X		SUB= 138956

14 HP 38" LAWN TRACTOR - - MODEL NUMBER Y1438B

MOWER

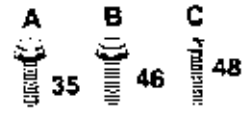


NOTE: All component dimensions given in U. S. inches.
1 inch = 25.4 mm

Ref #	Part Number	Qty.	Description
4	73680600		SUB= 73690600
5	19111216		WASHER M
6	72140505		BOLT
20	73680500		SUB= 73690500
23	72140506		BOLT
37	17490620		SCREW
67	72140610		BOLT.3/8-14X1.25
	122221X		"DECK,COMPLETE"
	108682X		NLA
	121349X		DECAL WARNING
	109820X		DECAL YT

14 HP 38" LAWN TRACTOR - - MODEL NUMBER Y1438B

STEERING, FRONT AXLE AND WHEELS

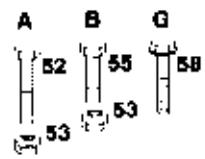


NOTE: All component dimensions given in U.S. inches.
1 inch = 25.4mm

Ref #	Part Number	Qty.	Description
35	17490612		SCREW
46	17490508		SCREW LT
48	122819X		SCREW SPECIAL

14 HP 38" LAWN TRACTOR - - MODEL NUMBER Y1438B

TRANSAXLE AND REAR WHEEL

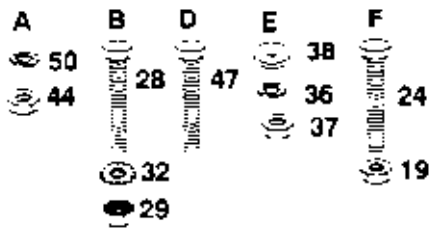


NOTE: All component dimensions given in U. S. inches. 1 inch = 25.4 mm

Ref #	Part Number	Qty.	Description
52	74760644		BOLT
53	73680600		SUB= 73690600
55	74760612		SUB= 74780612
58	17490512		SCREW

14 HP 38" LAWN TRACTOR - - MODEL NUMBER Y1438B

ELECTRICAL

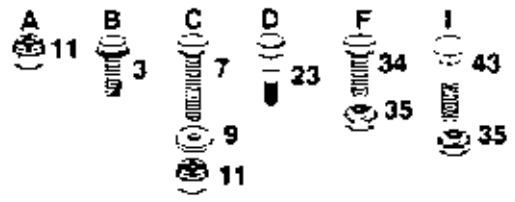


NOTE: All component dimensions given in U. S. inches.
 1 inch = 25.4 mm

Ref #	Part Number	Qty.	Description
19	73680400		SUB= 73690400
24	74780408		BOLT
28	74780408		BOLT
29	73510400		NUT
32	11050400		LOCKWASHER
36	10101000		SUB= 10071000
37	73911000		NUT
38	19070818		WASHER
44	73350400		NUT
47	17021008		SCREW
50	10090400		SUB= 10040400
	127903		NLA
	127796		NLA
	101539X		SHEET INSTR LT
	101572X		SHEET-INSTRUCTION (FRENCH)
	121549X		DECAL

14 HP 38" LAWN TRACTOR - - MODEL NUMBER Y1438B

DRIVE GROUP

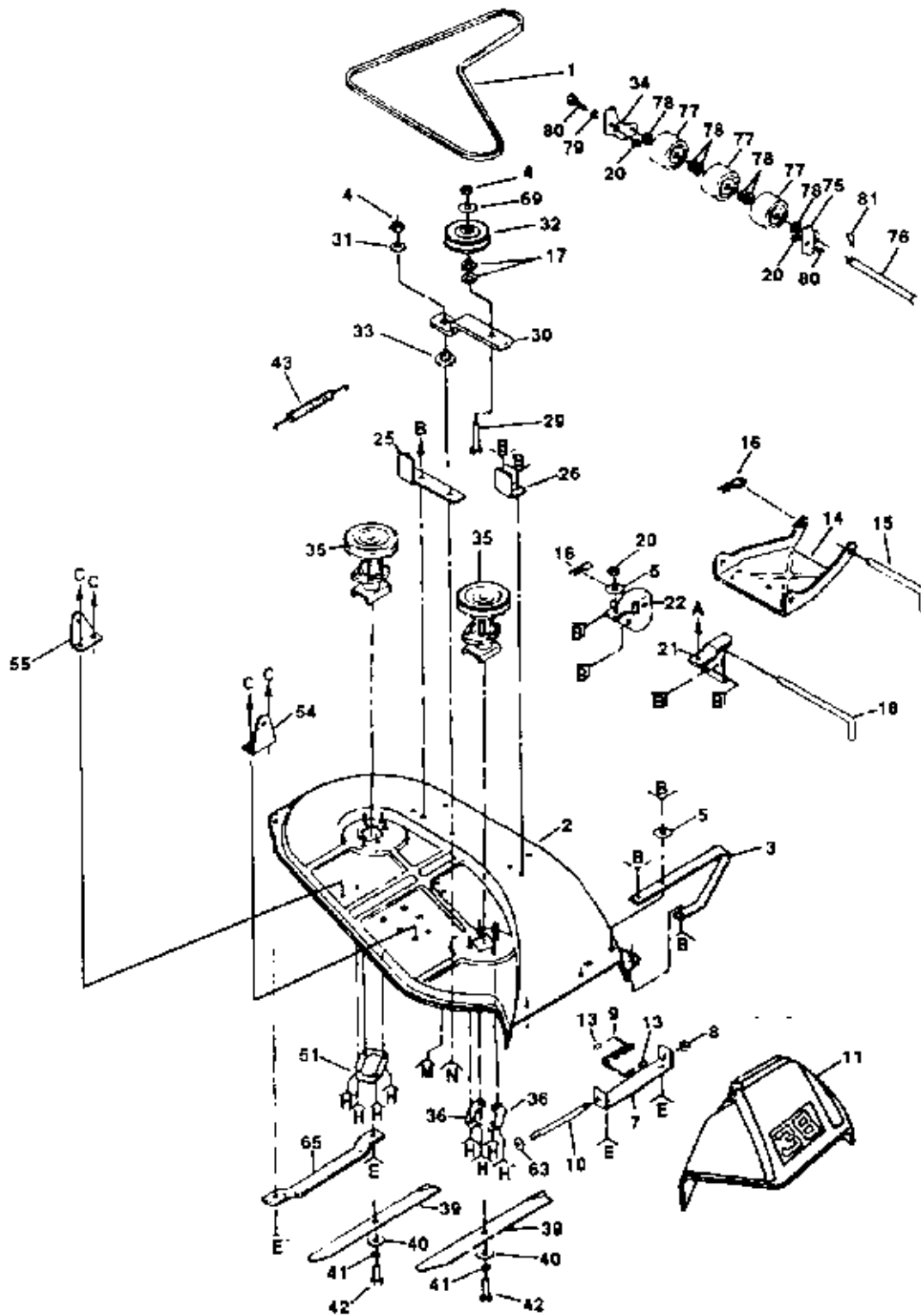


NOTE: All component dimensions given in U S inches
1 inch = 25.4mm

Ref #	Part Number	Qty.	Description
3	17021008		SCREW
7	74760616		BOLT
9	19132012		WASHER
11	73680600		SUB= 73690600
23	105848X		"BOLT, SHOULDER LT"
34	74760512		BOLT
35	73680500		SUB= 73690500
43	72140506		BOLT

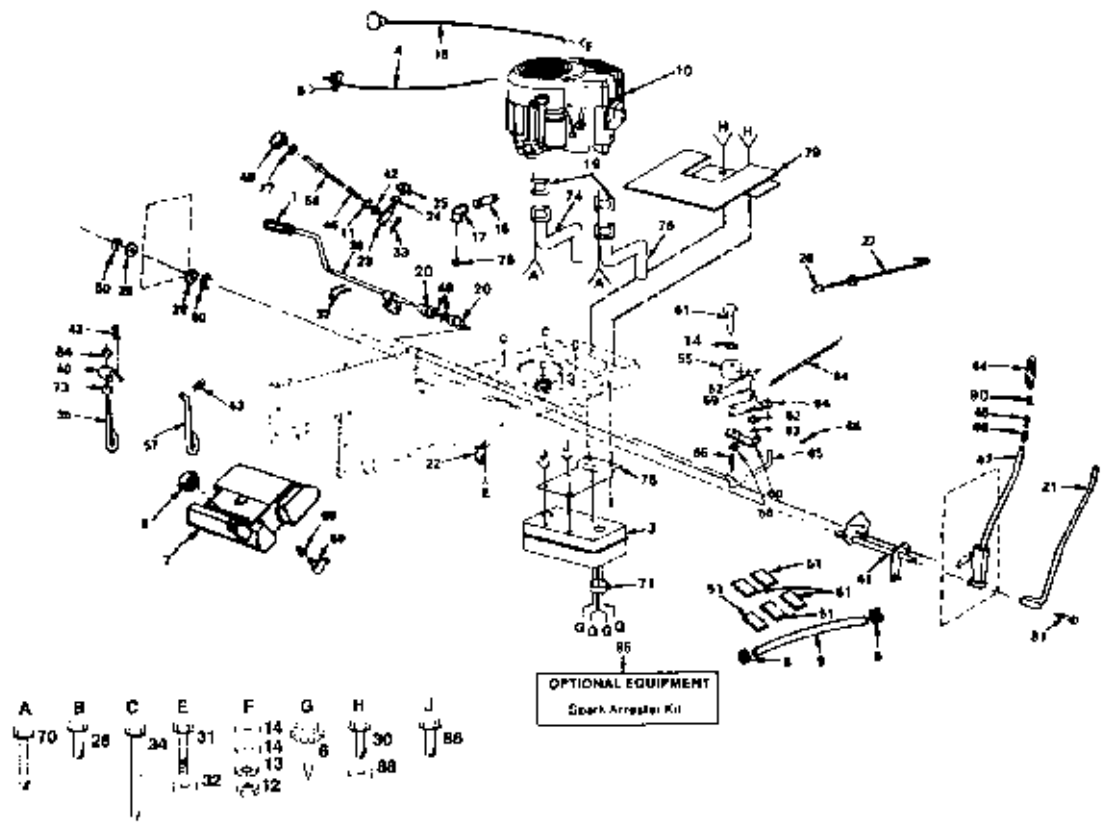
14 HP 38" LAWN TRACTOR - - MODEL NUMBER Y1438B

MOWER



Ref #	Part Number	Qty.	Description
1	106085X		BELT-V.79.1.MWR
2	121458X		SUB= 144726
3	8417J		SUB= 128772
4	73680600		SUB= 73690600
5	19111216		WASHER M
7	105896X		SUB= 137607
8	110452X		NUT PUSH M
9	106734X		SUB= 123713X
10	106735X		ROD-HINGE T
11	106736X		DEFLECTOR-SHLD T
13	105304X		CAP-SLEEVE LT
14	105662X		LINK.PARALLEL
15	105744X		"ROD, FRT. PARAL T"
16	4921H		SPRING.RETAINER
17	19131210		WASHER
18	109835X		HINGE PIN T
20	73680500		SUB= 73690500
21	109598X		BRACKET RH LT
22	109597X		BRACKET LH T
25	109503X		SUPPORT ARM T
26	109504X		STOP T
29	74760636		BOLT
30	127162X		ARM IDLER T
31	106902X		SPACER RETAINER
32	123688X		SUB= 121316X
33	106513X		"WASHER, WEAR LT"
34	109646X		BRACKET LH T
65	121676X		SUB= 121687X
36	100668L		SUPPORT PLATE LT
39	121263X		"BLADE.38"" HI-LI"
40	19132012		WASHER
41	10030600		SUB= 10040600
42	74610624		BOLT.3/8-24X1-1/2
43	102727X		"SPRING.EXT.8.5""
51	110445X		SUPPORT T
54	105857X		"BRKT,SUSP RH T"
55	108673X		"BRKT,SUSP REAR LH"
63	19111016		WASHER
65	7631J		RUNNER-LH M
69	19131316		WASHER
75	109647X		BRACKET RH T
76	109776X		PIVOT PIN T
77	109729X		ROLLER T
78	19151610		WASHER T
79	19161616		WASHER
80	74760512		BOLT
81	76020412		COTTER PIN
	122221X		"DECK,COMPLETE"
	108682X		NLA
	121349X		DECAL WARNING
	109820X		DECAL YT

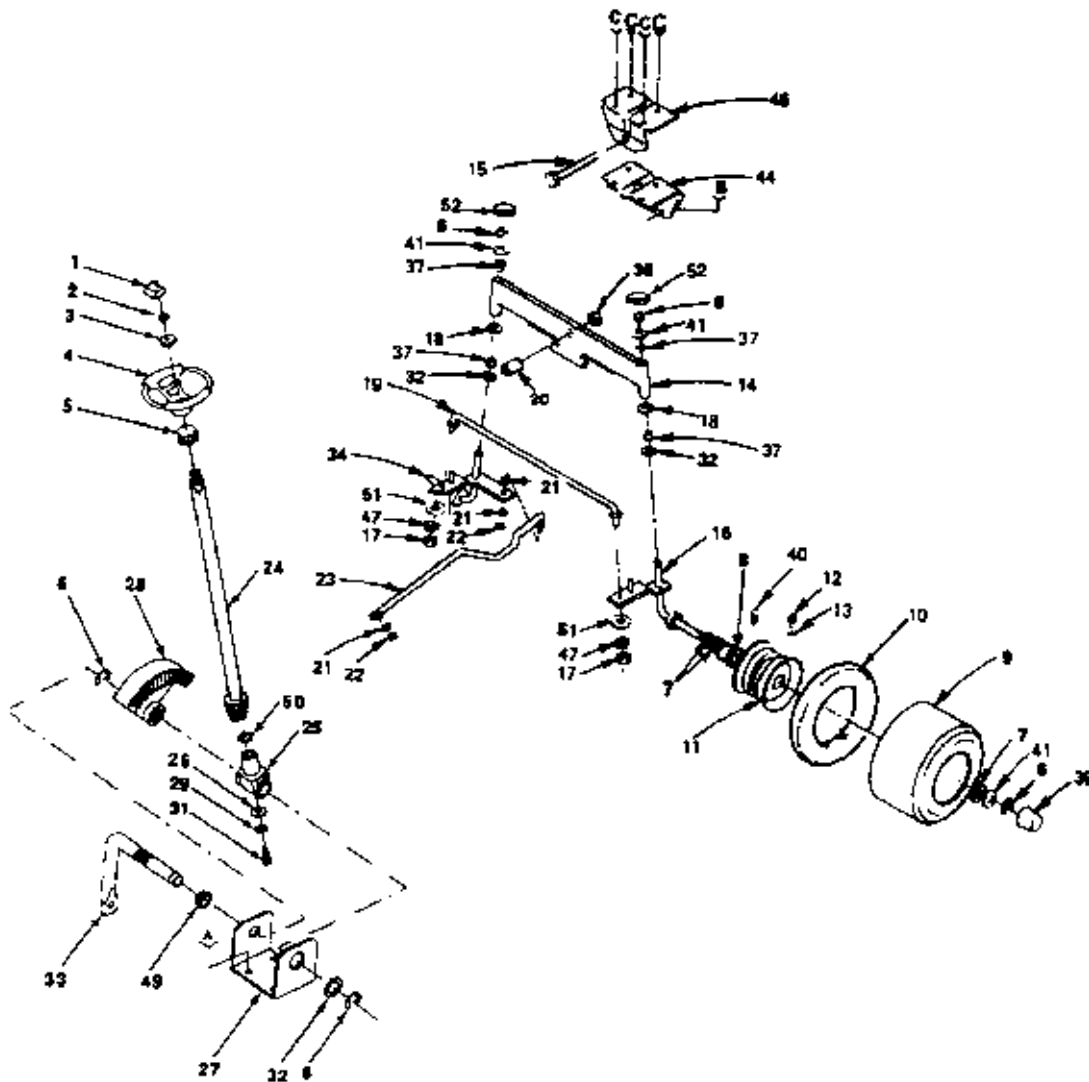
14 HP 38" LAWN TRACTOR - - MODEL NUMBER Y1438B
POWER & MECHANICAL CONTROLS GROUP



Ref #	Part Number	Qty.	Description
1	8883R		PEDAL COVER T
3	122440X		SUB= 149723
4	122927X		SUB= 532132748
5	123549X		SUB= 158990
6	17030808		SUB= 17030814
7	106020X		SUB= 151346
8	123487X		HOSE CLAMP
9	7833R		HOSE T
10	122436X		PIPE, EXHAUST
11	19131016		WASHER
12	73610600		SUB= 7810H
13	11050600		LOCKWASHER
14	19131316		WASHER
15	122926X		SUB= 132781
16	13280336		PIPE NIPPLE LT
17	13200300		ELBOW
19			REFER TO IMAGE
20	120183X		NYLON BEARING
21	121006X		LEVER ROD LT
22	104777X		SUB= 140312
23	110810X		TRUNION LT
24	19151216		WASHER
25	12000037		KLIP RING
26	17720410		SCREW LT
27	125637X		ROD BRAKE PARK
28	71673		PLUNGER CAP T
29	19292016		WASHER
30	17490512		SCREW
31	17490612		SCREW
32	19131312		WASHER
33	76020308		SUB= 3145
34	17490624		SCREW LT
35	110448X		PIVOT PIN T
36	122424X		SUB= 149001
37	1572H		SUB= 2882J
40	110447X		SUB= 132793
41	121000X		SHAFT LIFT LT
42	110807X		NUT T
43	4939M		SUB= 85902
44	109413X		GRIP
45	122364X		SUB= 125925X
46	2876H		SPRING T
47	121002X		SUB= 123096X
48	19211616		WASHER LT
49	121891X		HDLE ADJ LIFT
50	12000022		E-RING
51	106082X		PAD-SPACER LT
54	123789X		ARM IDLER
55	123766X		SUB= 139245
56	73680600		SUB= 73690600
57	110029X		LIFT LINK LT
58	110729X		ROD LIFT LT
59	105706X		"LY, BEARING"
60	123205X		RETAIN BELT
61	74760624		SUB= 74930624
62	110812X		WASHER LT
63	12000039		KLIP RING
64	105709X		"SPRING, RETURN LT"
65	105710X		"LINK, CLUTCH T"
66	76020412		COTTER PIN

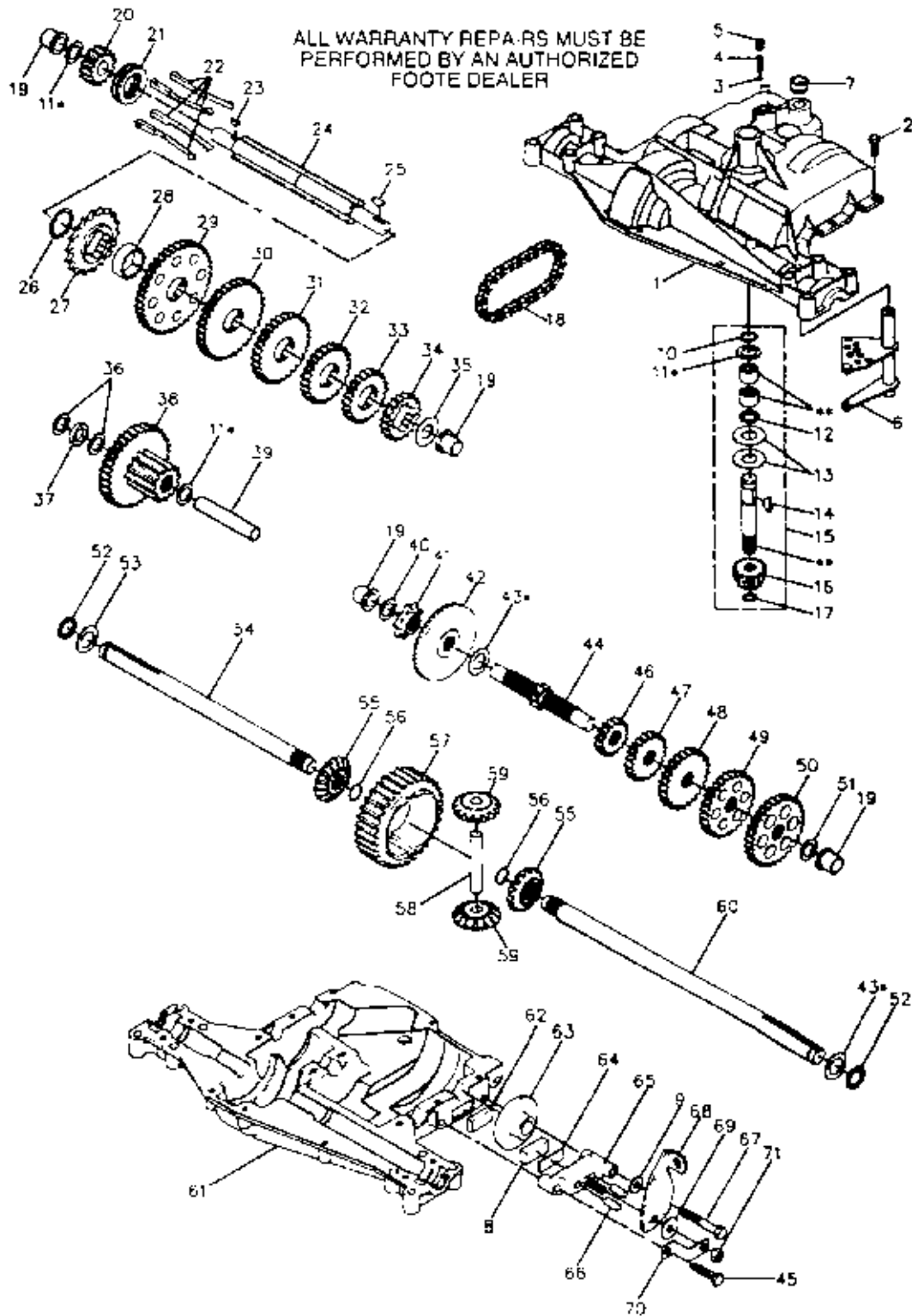
Ref #	Part Number	Qty.	Description
66	76020412		COTTER PIN
68	3645J		BUSHING OUTLET T
69	8710J		FUEL TANK STEM GT
70			REFER TO IMAGE
71	101326L		DEFLECTOR.222573
73	73360700		NUT
74	122434X		TUBE ASSY EXH LH
75	122435X		TUBE ASSY EXH RH
76			REFER TO IMAGE
77	73350600		NUT
78	122439X		BRACKET MUFFLER
79	122981X		SUB= 145552
81	74780624		"BOLT,HEX"
84	73710700		NUT LOCK YTH
85	121851X		SUB= 532137180
86	17190408		SCREW ST
88	19131614		WASHER
90	124526X		SUB= 125925X
	125917X		NLA
	123161X		DECAL, ENGINE INSTRUCTION

14 HP 38" LAWN TRACTOR - - MODEL NUMBER Y1438B STEERING, FRONT AXLE AND WHEELS



Ref #	Part Number	Qty.	Description
1	121584X		INSERT STEERING
2	73940800		SUB= 73360800
3	100712K		WASHER
4	121472X		SUB= 150546
5	100711L		ADAPTER LT
6	12000029		RING
7	121749X		WASHER
8	9040H		"FLANGE, BEARING"
9	106222X		SUB= 122073X
10	59904		TUBE.5.3/4.5/6
11	106732X361		SUB= 106732X417
12	65139		VALVE STEM LT
13	59192		VALVE CAP
14	108075X		FRONT AXLE
15	74761060		BOLT LT
16	105654X		SUB= 130524
17	73810500		NUT.LOCK.5/16-24
18	19272016		WASHER
19	121334X		ROD TIE
20	110438X		BEARING
21	10040600		LOCKWASHER
22	73610600		SUB= 7810H
23	128122		SUB= 532130468
24	128758		STEERING SHAFT
25	124035X		SUPPORT.SHAFT
26	126684X		SUB= 532126684
27	124036X		"BRKT,STEERING"
28	124034X		SUB= 136874
29	10040400		LOCKWASHER
31	71070410		"SCREW,SPECIAL"
32	6266H		WASHER .T
33	124033X		SUB= 156365
34	105656X		SPINDLE-LH LT
36	73601000		SUB= 73901000
37	3366R		COL. SRTG. BEAR.
39	104757X		HUB CAP
40	278H		FITTING LT
41	121748X		WASHER
44	105664X		SUPPORT.SADDLE.FT
46	17490508		SCREW LT
47	10040500		LOCKWASHER
49	109816X		NYLINER T
50	57079		THRUST WASHER
51	19111216		WASHER M
52	121232X		CAP

14 HP 38" LAWN TRACTOR - - MODEL NUMBER Y1438B TRANSAXLE FOOTE - MODEL NUMBER 4360-19

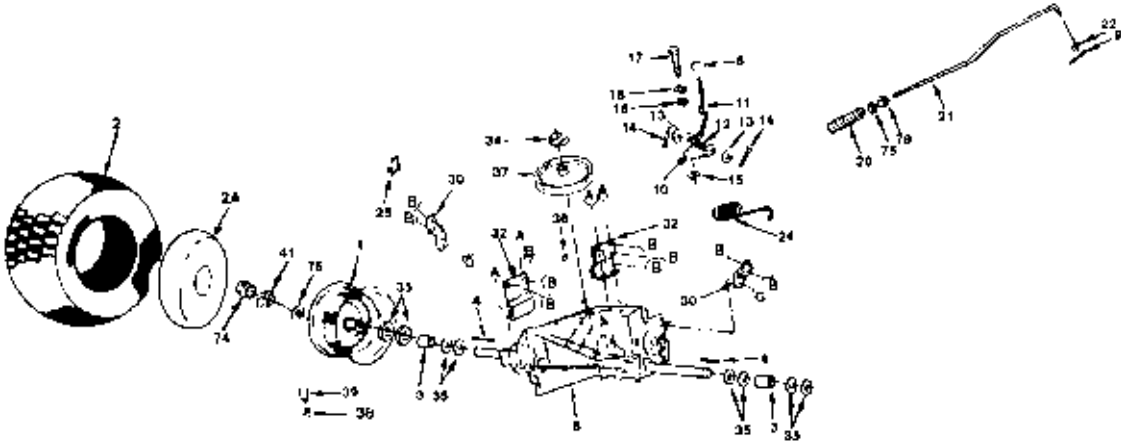


Ref #	Part Number	Qty.	Description
1	3865-A		HOUSING UPPER
2	1919		SCREW
3	1151		BALL DETENT
4	3626		SPRING, DETENT
5	3623		SCREW, SET
6	4458		ASSEMBLY, SHIFTER
7	3789		V-RING
8	3907		PUCK, FRICTION
9	3906		WASHER PLAIN
10	1099		RING RETAINING
11	1959		WASHER PLAIN
11	1441		WASHER PLAIN
11	1423		WASHER, PLAIN .632 X 1.00 X .026
11	1082		WASHER PLAIN
11	1424		WASHER PLAIN
11	1068		WASHER PLAIN
11	1425		WASHER PLAIN
11	1358		WASHER PLAIN
11	1145		WASHER, PLAIN .632 X 1.00 X .060
11	1319		WASHER PLAIN
12	3312		O-RING
13	3876		WASHER, PLAIN .632 X 1.38 X .046
14	1374		KEY WOODRUFF #9
15	4171		ASSY KIT INPUT SHAFT
16	3725		PINION BEVEL 14 TEETH
17	3624		RING, RETAINING
18	3625		CHAIN, 24 PITCHES
19	1542		BEARING, FLANGE
20	3709		GEAR, SPUR 14T
21	3631		COLLAR CLUTCH
22	3828		KEY CLUTCH
23	1369		KEY WOODRUFF #3
24	3976		SHAFT
25	1375		KEY, WOODRUFF, #61
26	3627		RING, RETAINING
27	3830		SPROCKET, 18 TEETH
28	3841		SPACER
29	3787		GEAR, SPUR 40T
30	3785		GEAR, SPUR, 35 TEETH
31	3867		GEAR, SPUR, 30 TEETH
32	3783		GEAR, SPUR, 25 TEETH
33	3869		GEAR, SPUR, 22 TEETH
34	3741		GEAR SPUR
35	3628		WASHER, PLAIN .640 X 1.37 X .061
36	1423		WASHER, PLAIN .632 X 1.00 X .026
37	3422		SPACER .630 X 1.00 X .169
38	4193		ASSY, GEAR, COMB., 12T & 35T
39	3967		SHAFT, IDLER
40	1708		WASHER
41	3645		SPROCKET, 9 TEETH
42	3589		GEAR, BEVEL, 42 TEETH
43	3749		WASHER PLAIN
43	3652		WASHER PLAIN
43	3693		WASHER PLAIN
43	3653		WASHER PLAIN
43	3408		WASHER PLAIN
43	3732		WASHER PLAIN
43	3184		WASHER, PLAIN .758 X 1.25 X .031
43	3733		WASHER PLAIN
43	3198		WASHER PLAIN

Ref #	Part Number	Qty.	Description
43	3198		WASHER PLAIN
43	3734		WASHER PLAIN
43	3735		WASHER PLAIN
44	3973		SHAFT
45	3724		SCREW TAPPING
46	3707		GEAR SPUR, 15 TEETH
47	3866		GEAR, SPUR, 20 TEETH
48	3719		GEAR, SPUR, 25 TEETH
49	3868		GEAR, SPUR, 28 TEETH
50	3683		GEAR, SPUR, 31 TEETH
51	1145		WASHER, PLAIN .632 X 1.00 X .060
52	3191		SEAL FELT
53	3180		WASHER PLAIN
54	3880		AXLE LEFT HAND
55	3871		GEAR MITER 15 TEETH
56	3656		RING, RETAINING
57	3839		GEAR, SPUR, 32 TEETH
58	3919		SHAFT, CROSS
59	3726		GEAR, MITER, 15 TEETH
60	3881		AXLE, R.H.
61	3864-B		HOUSING LOWER
62	3920		PUCK, FRICTION
63	3276		DISC, BRAKE
64	3758		SPACER
65	3916		JAW, BRAKE
66	3843		PIN, DOWEL
67	3915		SCREW TAPPING
68	3768		LEVER, ACTUATING
69	3760		WASHER, PLAIN .321 X 1.00 X .055
70	3917		BRACKET, ANTI-ROTATION
71	3847		LOCKNUT 5/16-24
72	4300		GREASE

14 HP 38" LAWN TRACTOR - - MODEL NUMBER Y1438B

TRANSAXLE AND REAR WHEEL



Ref #	Part Number	Qty.	Description
1	106108X361		SUB= 106108X417
2	106268X		SUB= 122074X
2A	7152J		TUBE.18X9.5-8
3	109502X		SPACER LT
4	123583X		SQUARE KEY
5	124162X		SUB= 137367
8	121274X		KNOB.DUCKHEAD.1/2
9	76020412		COTTER PIN
10	106919X		PLATE SHIFT LT
11	124461X		ROD SHIFTER
12	105700X		SPRING LT
13	19151216		WASHER
14	76020416		PIN COTTER 1/8
15	105701X		WASH-SHFT PLT LT
16	19091210		WASHER LT
17	71040412		SUB= 74550412
18	10040400		LOCKWASHER
20	106888X		SPRING ROD LT
21	110437X		BRAKE ROD LT
22	19131316		WASHER
24	110422X		SUB= 146682
25	2751R		CLIP T
30	121520X		STRAP TORQUE
32	109167X		BRACKET LT
34	12000028		SUB= 2267J
35	121749X		WASHER
36	2228M		SUB= 2228M1
37	123666X		PULLEY TRANS
38	59192		VALVE CAP
39	65139		VALVE STEM LT
41	12000001		E-RING LT
74	104757X		HUB CAP
75	73800600		NUT
76	121748X		WASHER
78	73350600		NUT