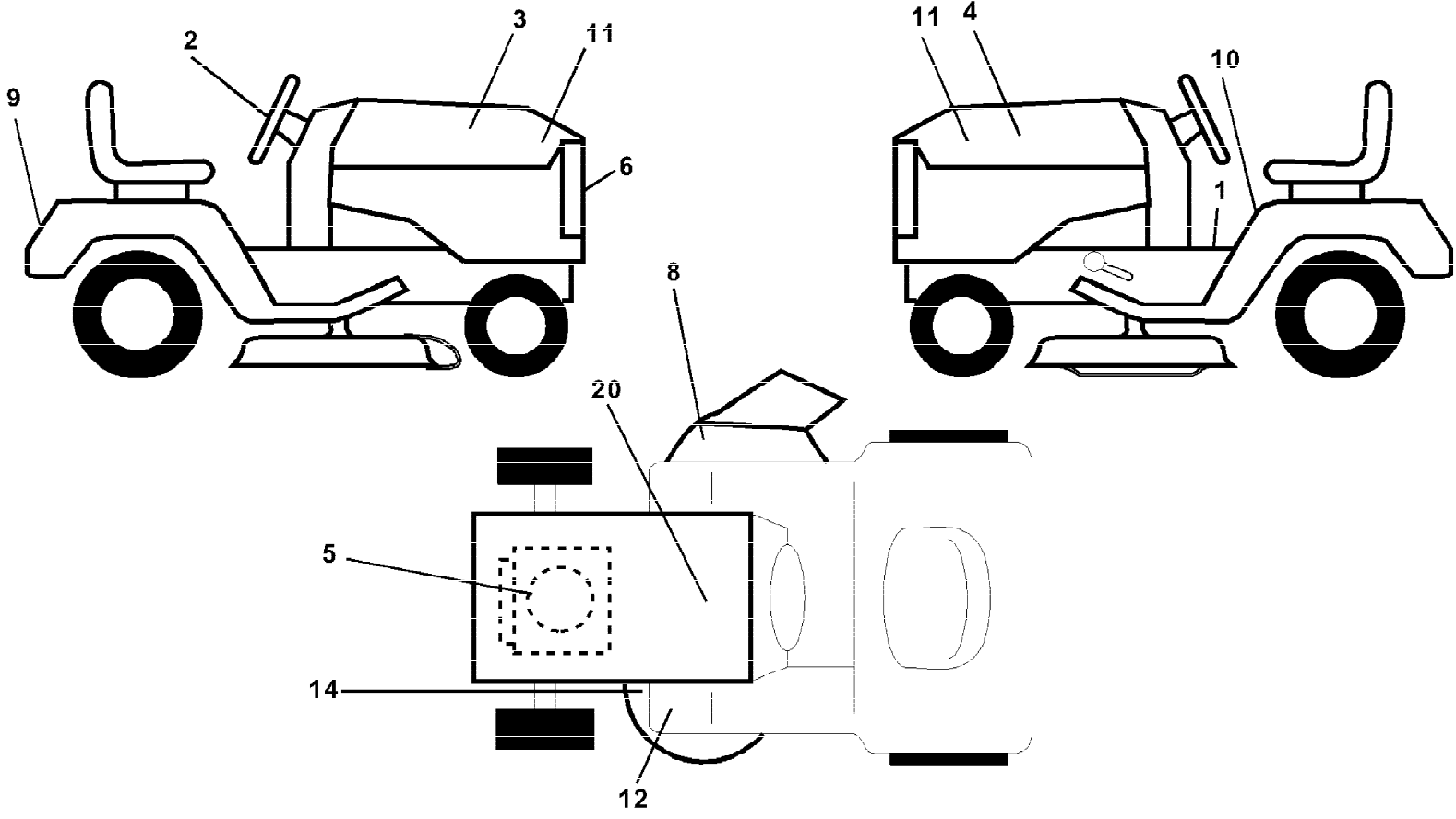


Ref #	Part Number	Qty	Description
1	532174619		Chassis Stamping
2	532176554		Drawbar
3	817060612		Screw 3/8-16x3/4
5	532155272		Bumper
9	532171682		Dashboard
10	872140608		Bolt Rdhd Sqnk 3/8-16 Unc x 1
11	532155927		Panel Dash Lh
12	532145660		Clip Tinnerman Grille
13	532172106		Panel Dash Rh
14	817490608		Screw Thdrol 3/8-16 x 1/2
17	532162237		Hood
18	532126938		Bumper
20	532156437		Plate Mtg Battery/Fuel Tank
23	532124028		Bushing
25	819131312		Washer 13/32 x 13/16 x 12 Ga.
26	873800600		Nut Lock w/Insert 3/8-16 UNC
28	532170475		Grille Lens Asm
29	532176644		Lens
30	532171625		Fender
31	532139976		Bracket
37	817490508		Screw Thdrol 5/16-18 x 1/2
38	532175710		Bracket Asm Pivot Mower Rear
51	873800400		Nut Lock w/Insert 1/4-20
52	819091416		Washer 9/32 x 7/8 x 16 Ga.
53	532144697		Bracket Grille Lh
54	532161464		Screw Hex Wshd 8-18 x 7/8
55	532144696		Bracket Grille Rh
57	874780412		Bolt Fin Hex 1/4-20 Unc x 3/4
58	532162266		Duct Air
60	872140606		Bolt RDHD SQNK 3/8-16 x 3/4
64	532154798		Dash Lower Stlt
74	873680600		Nut Crownlock 3/8-16
142	532165867		Plate Reinforcement Stlt
143	532154966		Bracket Swaybar Chassis
144	532175582		Bracket Ft Rest
145	532156524		Rod Pivot Chassis Hood
159	532166508		Cupholder YTGT Grey
206	532170165		Bolt Shoulder 5/16-18 TT
207	817670508		Screw Thdrol 5/16-18 x 1/2 TYTT
208	817670608		Screw Thdrol 3/8-16 x 1/2 Ty-TT
212	532156229		Insert Lens Reflect

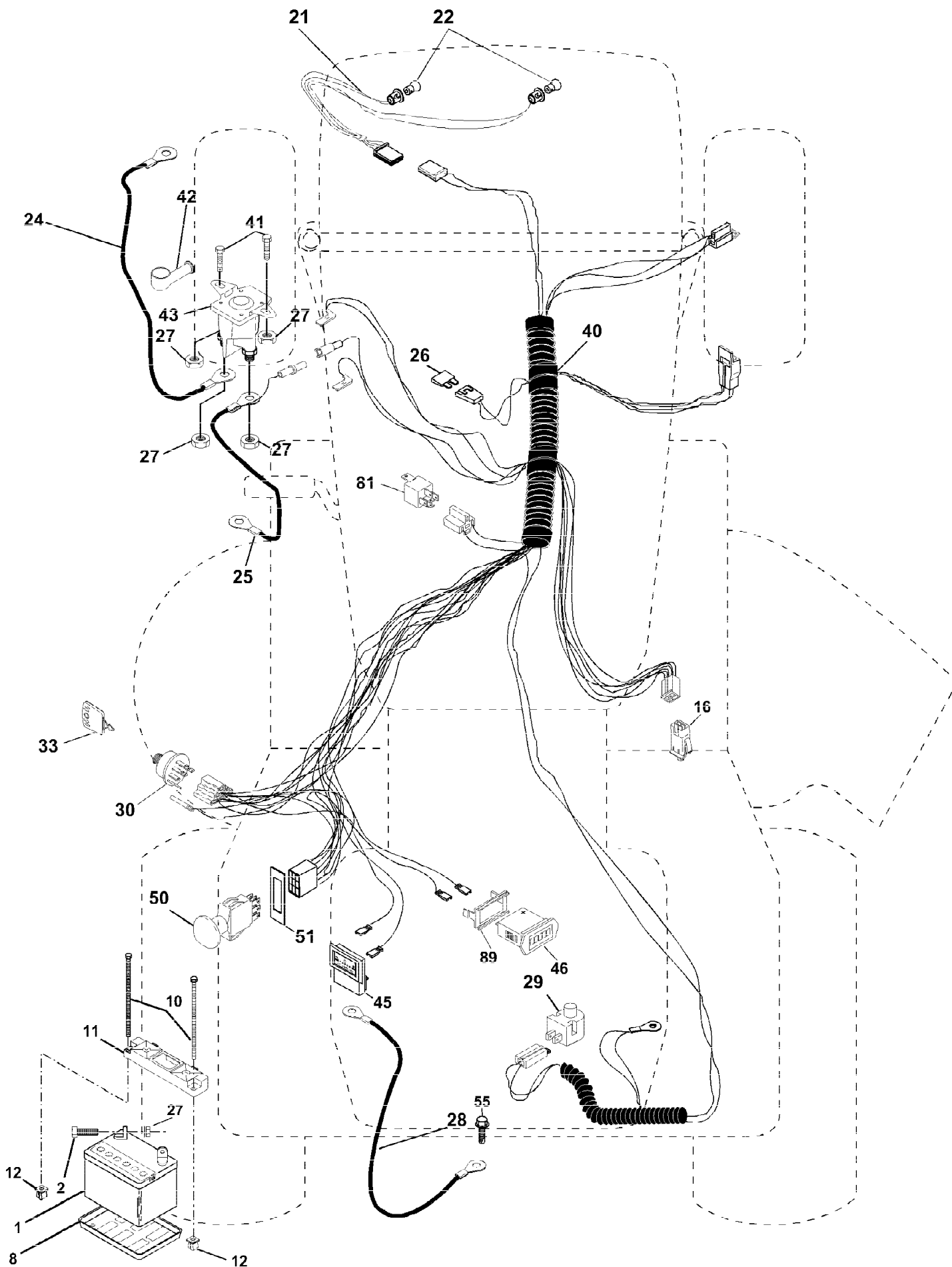


Ref #	Part Number	Qty	Description
1	532157032		Decal Oper Inst Hyd E/F
2	532170564		Decal Strg Wheel Logo
3	532177672		Decal Hood RH
4	532177673		Decal Hood LH
5	532178386		Decal Engine
6	532150616		Decal Grille Husq
8	532170563		Decal Warning
9	532176822		Decal Fender Husq
10	532157140		Decal Fender Danger E/F
11	532176871		Decal Hood Sides
12	532178502		Decal Clutch/Brake
14	532175291		Decal V-Belt Schematic
20	532145005		Decal Bat Dan/Psn
	532169210		Decal By Pass Lt Hydro
	532171284		Pad Footrest LH
	532171285		Pad Footrest RH
	532138311		Decal Handle Lft Height Adjust
	532177154		Manual Owner's (English)
	532177155		Manual Owner's (French)



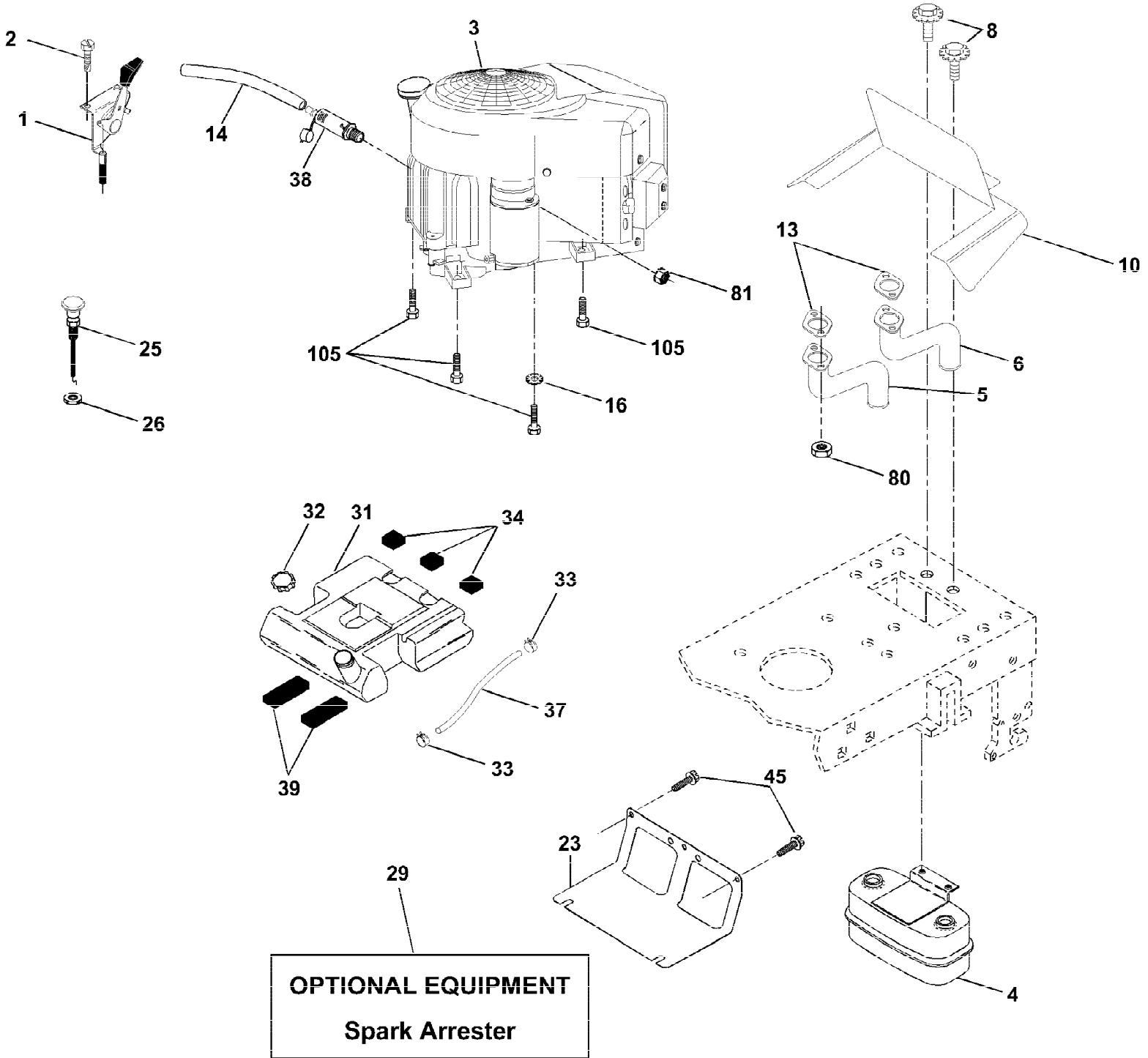
Ref #	Part Number	Qty	Description
1			Transaxle, Hydro 314-0510 (Order Parts From Transaxle Manufacturer)
8	532165866		Rod Shift Fender Adjust STLT
9	532174367		Clutch Electric
10	876020416		Pin Cotter 1/8 x 1 CAD
14	810040400		Washer Lock Hvy Helical
15	874490544		Bolt Hex 5/16-18 Unc Flghd
16	873800500		Nut Lock Hex W/Ins. 5/16-18 Unc P
19	873800600		Nut Lock Hex W/Ins 3/8-16 Unc
20	532173937		Bolt, Hex 7/16-20 x 4-1/4 Ga. 5
21	532140845		Knob Deluxe 1/2-13 UNC BLK/BLK
22	532169498		Rod, Brake Hydro
23	532178289		Bracket Asm Mtg CL
24	873350600		Nut Hex Jam 3/8-16 UNC
25	532106888		Spring, Brake Rod
26	819131316		Washer
27	876020412		Pin Cotter 1/8 x 3/4 CAD.
28	532175765		Rod, Parking Brake
29	532071673		Cap, Parking Brake
30	532169592		Bracket, Transaxle
32	874760512		Bolt Hex Hd 5/16-18 Unc x 3/4
34	532175578		Shaft, Foot Pedal
35	532120183		Bearing, Nylon
36	819211616		Washer
37	532124963		Pin, Roll
38	532165936		Pulley, Composite, Flat
39	874760648		Bolt, Fin, Hex 3/8-16 x 3
40	532175461		Spacer Split
41	532175556		Keeper, Belt Idler
42	819131312		Washer 13/32 x 13/16 x 12 Ga
47	532127783		Pulley, Idler, V-Groove Plastic
48	532154407		Bellcrank Clutch Grnd Drv STL
49	532123205		Retainer, Belt Style Spring
50	874760624		Bolt Hex Hd 3/8-16 Unc x 1-1/2
51	873680600		Nut
52			UNKNOWN
53	532105710		Link, Clutch
55	532105709		Spring, Return, Clutch
56	817060616		Screw 3/8-16 x 1.0
57	532140294		V-Belt, Ground Drive
59	532169691		Keeper, Center Span
61	817060612		Screw 3/8-16 x 3/4
62	532124872		Cover, Pedal
63	532175417		Pulley, Clutch Elect
65	810040700		Washer Lock Hvy HLCL Spr 7/16
66	532154778		Keeper Belt Engine
71	532169183		Strap Torque Lh Hydro
73	532169182		Strap Torque Rh Hydro
74	532137057		Spacer, Axle
75	532121749		Washer 25/32 x 1-1/4 x 16 Ga.
76	812000001		E-Ring
77	532123583		Key, Square
78	532121748		Washer 25/32 x 1-5/8 x 16 Ga

Ref #	Part Number	Qty	Description
81	532165596		Shaft Asm Cross Tapered
82	532165711		Spring Torsion T/A
83	819171216		Washer 17/32 x 3/4 x 16 Ga.
84	532169594		Link Transaxle
89	532166510		Console, Shift
90	532124346		Nut Self Thd 1/4
95	532170201		Control Asm. Bypass Hydro
96	532124788		Retainer Spring 1" Zinc/Cad
116	72140608		Bolt Rdhd Sqnk 3/8-16 Unc x 1
120	873900600		Nut Lock Flg 3/8-16
150	532175456		Spacer Retainer
151	819133210		Washer 13/32 x 2 x 10 Ga.
156	532166002		Washer Srrted 5/16ID x 1.125
158	532165589		Bracket Shift Mount
159	532165494		Hub Tapered Flange Shift Lt
161	872140406		Bolt Rdhd Sqnk 1/4-20 x 3/4 Gr 5
162	873680400		Nut Crownlock 1/4-20 Unc
163	874780416		Bolt Hex Fin 1/4-20 Unc x 1 Gr 5
164	819091010		Washer 5/8 x .281 x 10 Ga
165	532165623		Bracket Pivot Lever
166	532166880		Screw 5/16-18 x 5/8
168	532165492		Bolt Shoulder 5/16-18 x .561
169	532165580		Plate Fastening STLT/CRD
197	532169613		Nyliner Snap 5/8" ID
198	532169593		Washer Nyl 7/8 ID x .105 Hyd
199	532169612		Bolt Shoulder 5/16-18 Unc
200	872140508		Bolt Rdhd Sqnk 5/16-18 Unc x 1
202	872110612		Bolt
212	532145212		Nut Hex Flange Lock

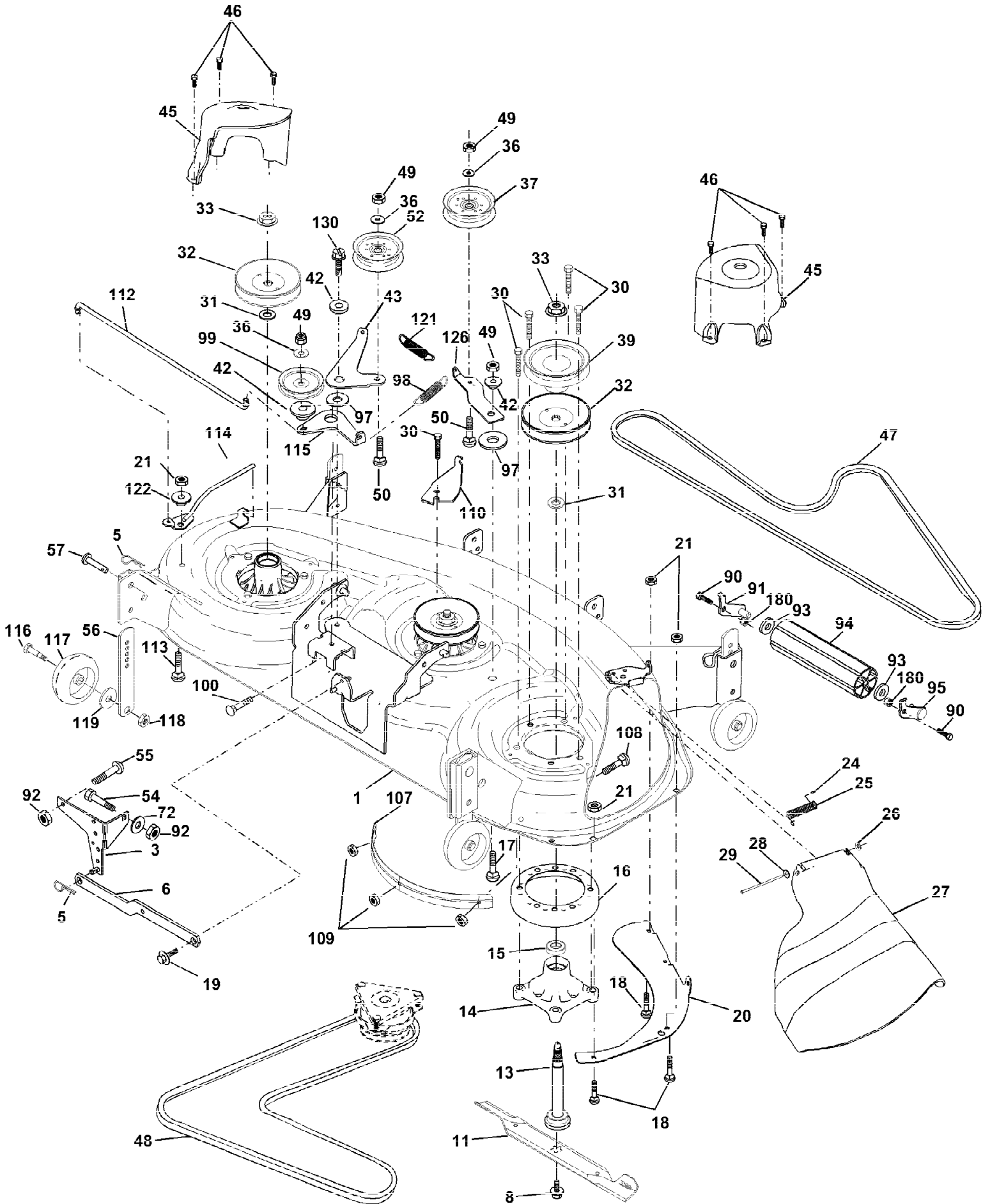




Ref #	Part Number	Qty	Description
1	532144927		Battery 12 Volt 35 AMP
2	874760412		Bolt Hex Hd 1/4-20unc X 3/4
8	532124886		Tray Battery
10	532145211		Bolt Brt Frt 1/4-20 x 75 Ainc
11	532150109		Holddown Battery Front Mount
12	532145769		Nut Push Nylon 1/4" Battery Frt
16	532153664		Switch Interlock Push-In
21	532166181		Harness Asm Light W/4152j
22	532004152		Bulb Light #1156
24	532124780		Cable Battery 6 Ga 11" red
25	532146148		Cable Battery 6 Ga 22" red w/16 wire
26	532175158		Fuse
27	873510400		Nut Keps Hex 1/4-20 Unc
28	532145491		Cable Ground 6 Ga 21" black
29	532160784		Switch Plunger Nc Gray
30	532175566		Switch Ign
33	532140401		Key Ign Molded Generic
40	532178441		Harness Ign.
41	871110408		Bolt Blk Fin Hex 1/4 - 20 x 1/2
42	532131563		Cover Terminal Red
43	532175141		Solenoid
45	532122822		Ammeter Rectangular 15 Amp
46	532169635		Meter Hour
50	532174651		Switch PTO
51	532140405		Ring Retainer TTO
55	817490508		Screw Thdrol 5/16-18 x 1-1/2 Tyt
81	532109748		Relay Asm.
89	532169639		Bracket Snap-In Hourmeter

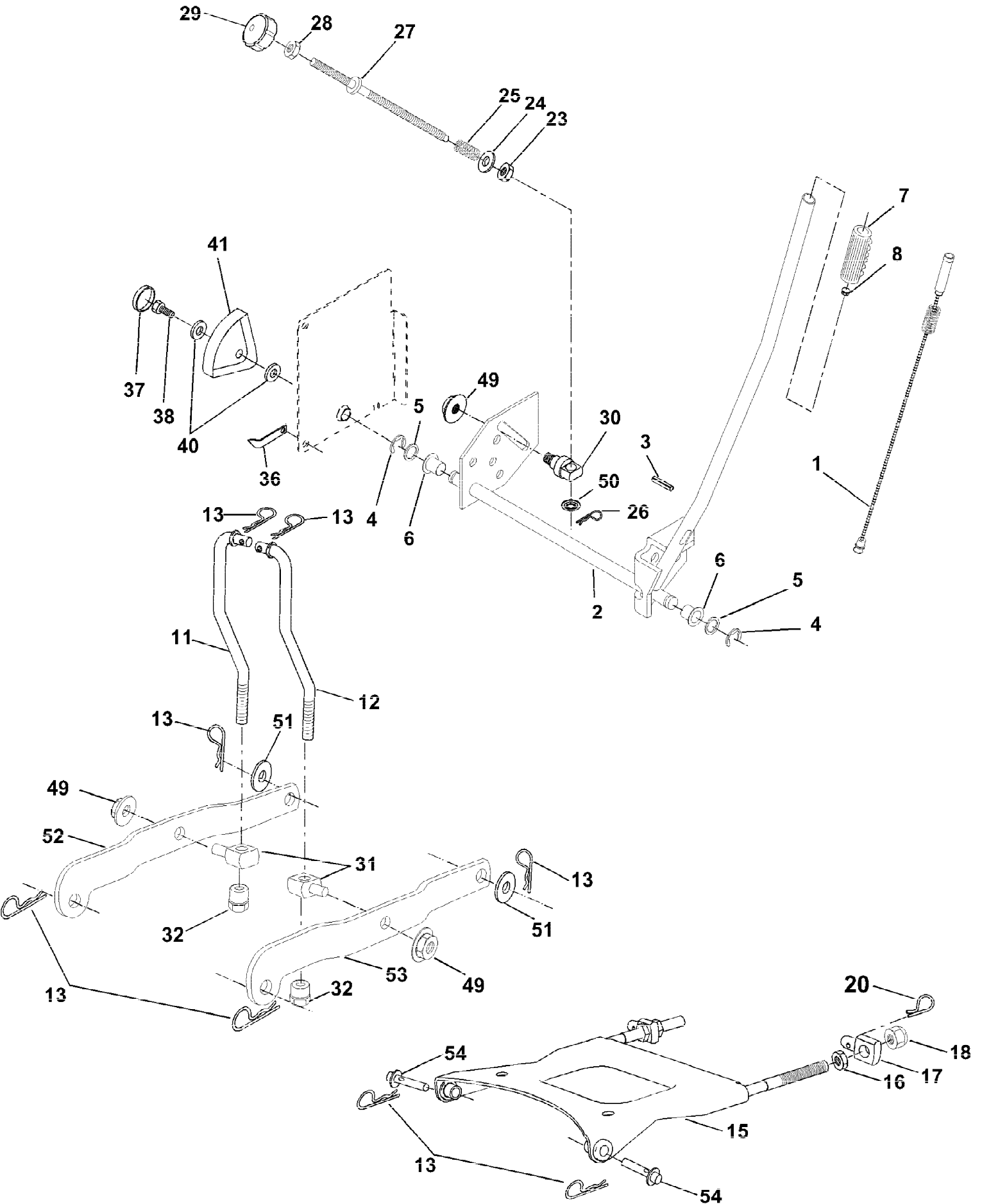


Ref #	Part Number	Qty	Description
1	532170803		Control Throt Flg
2	817720410		Screw Hex Thd Cut 1/4-20x5/8 T
3			Engine KAWA FH531V (Order Parts from Engine Manufacturer)
4	532149723		Muffler Asm Twin Lo-Tone
5	532176067		Exhaust Tube
6	532176068		Exhaust Tube
8	532171877		Bolt 5/16-18unc x 3/4 W/Sems
10	532146629		Shield Browning
13	532178591		Gasket Muffler
14	532148456		Tube Drain Oil Easy
16	811050600		Washer Lock Ext Tooth 3/8
23	532169837		Shield Browning
25	532132782		Choke Control
26	873920600		Nut, Keps 3/8-24 Unf
29	532137180		Kit Spark Arrestor (Flat Scrn)
31	532157103		Tank Fuel 3 50 Rear
32	532140527		Cap Asm Fuel Top N/Lany Vented
33	532123487		Clamp Hose Blk
34	532106082		Pad, Spacer
37	532142158		Line Fuel
38	532148315		Plug Drain Oil Easy
39	532109227		Pad, Idler
45	817000612		Screw Hexwsh Thdr 3/8-16 x 3/4
80	532163305		Nut Flange M8-1.25
81	873510400		Nut Keps Hex 1/4-20 Unc
105	817120616		Screw 3/8-16 x 1



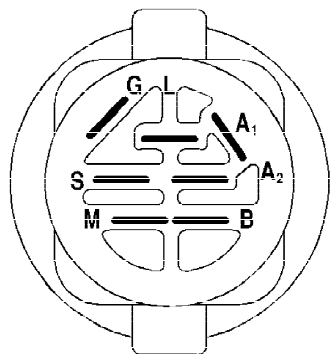
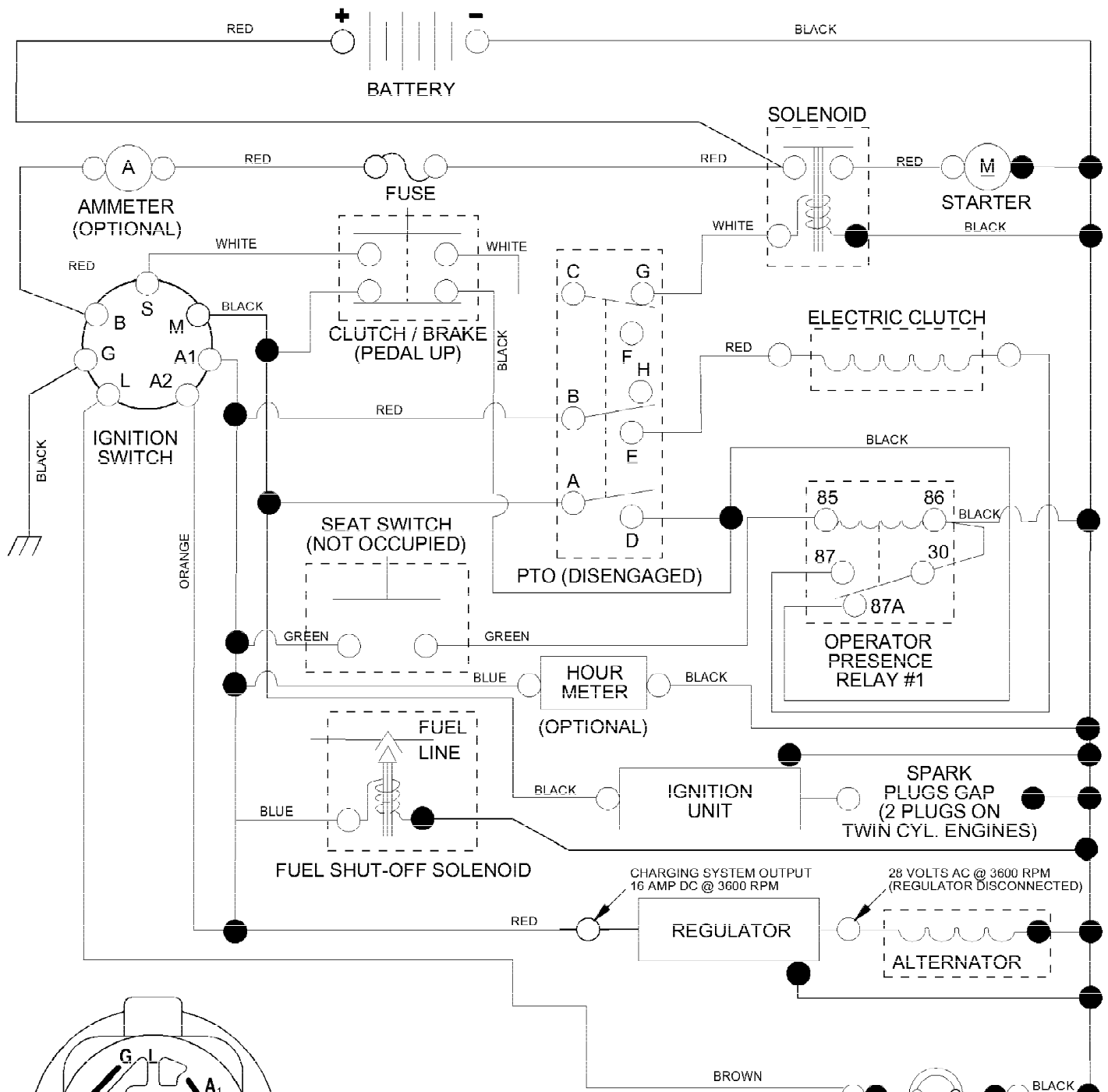
Ref #	Part Number	Qty	Description
1	532174348		Deck Weldment Mower 48
3	532138017		Bracket Asm., Sway Bar
5	532004939		Retainer Spring
6	532130832		Arm, Suspension, Rear (Sway Bar)
8	532174365		Bolt, 7/16 Asm. Blade
10	532140296		Washer, Hard Blade, Mower Vented
11	532173920		Blade
13	532174360		Shaft Asm. greaseable
14	532174358		Housing Mandrel 48"
15	532110485		Bearing, Ball, Mandrel
16	532174493		Stripper, Mower
17	872110610		Bolt Rdhd Sq Neck 3/8-16 x 1.25
18	872140505		Bolt, Carriage 5/16-18 x 5/8
19	532132827		Bolt, Hex Head, Shoulder 5/16-18
20	532174378		Baffle, Vortex Mower
21	873680500		Nut, Crownlock 5/16-18 UNC
24	532105304		Cap, Sleeve
25	532178102		Spring, Torsion
26	532110452		Nut, Push
27	532174346		Shield, Deflector Mower
28	819111016		Washer 11/32 x 5/8 x 16 Ga.
29	532131491		Rod, Hinge
30	532157722		Screw, Thdroll, Washer Head
31	532129963		Washer, Spacer Mower Vented
32	532177865		Pulley, Mandrel
33	532178342		Nut, Flg. Top Lock Cntr. 9/16
36	819131316		Washer 13/32 x 13/16 x 16 Ga.
37	532173437		Pulley, Idler, Flat
38	532173900		Keeper, Belt, Idler
39	532174375		Pulley, Idler, Driven
42	532122052		Spacer, Retainer
43	532174373		Arm, Idler Secondary
45	532174343		Cover, Mandrel Deck
46	532137729		Screw, Thdroll. 1/4-20 x 5/8
47	532174369		V-Belt, Mower, Secondary
48	532174368		V-Belt, Mower, Primary
49	873680600		Nut, Crownlock 3/8-16 UNC
50	872110612		Bolt, Carriage 3/8-16 x 1-1/2 Gr. 5
52	532175820		Pulley Idler Flat 46 Pri. Drive
54	874780616		Bolt Fin Hex 3/8-16 x 1
55	872140608		Bolt Rdhd Sqnk 3/8-16 x 1
56	532155986		Bar Pnt Adjusting Wheel Gauge
57	532156941		Pin Head Rivet
72	819131312		Washer 13/32 x 13/16 x 12
90	874760516		Bolt, Fin, Hex 5/16-18 x 1.0
91	532175996		Bracket, Asm Noseroller, LH 48
92	873800600		Nut Lock Hex w/Ins 3/8-16
93	819171416		Washer 17/32 x 7/8 x 16 Ga.
94	532176066		Roller, Nose 48"
95	532175384		Bracket, Asm Noseroller RH 48
97	532133943		Washer Hardened
98	532174370		Spring Primary Drive
99	532175080		Pulley Idler "V"

Ref #	Part Number	Qty	Description
100	872110616		Bolt RDHD Sqnk 3/8-16 Unc x 2
107	532175294		Baffle Vac Edge Mower
108	872110404		Bolt Carr.
109	87360400		Nut Crownlock 1/4-20
110	532175016		Arm Spring Secondary
112	532174387		Link Tension Relief Lever
113	872110508		Bolt Carr. 5/16-18 x 1
114	532174384		Tension Asm Relief Lever
115	532174609		Arm Spring Tension Relief
116	532137644		Bolt, Shoulder
117	532133957		Gauge Wheel
118	873930600		Nut, Centerlock 3/8-16 UNC
119	819121414		Washer 3/8 x 7/8 x 14 Ga.
121			UNKNOWN
122			UNKNOWN
126	532174372		Arm, Idler, Primary Deck
130	817060616		Screw 3/8-16 x 1.0
180	873800500		Nut, Lock, Hex 5/16-18
	532177146		Deck Complete (Standard Deck Order separately nose roller components Key Nos. 90 - 95)
	532174356		Mandrel Assembly Service (Includes Key Nos. 13 - 15)



Ref #	Part Number	Qty	Description
1	532159460		Wire Asm Inner/Spring W/Plunger LT
2	532159471		Shaft Asm Lift RH w/Inf
3	532105767		Pin Groove 1 500 Zinc
4	812000002		E Ring #5133-62
5	819211621		Washer 21/32 X 1 X 21 Ga
6	532120183		Bearing Nylon Blk 629 Id
7	532125631		Grip Handle Fluted Blk
8	532124526		Button Plunger Black
11	532175370		Link Lift LH
12	532175371		Link Lift RH
13	532124670		Retainer Spring
15	532175562		Plate Asm Susp Front
16	873350800		Nut Jam Hex 1/2-13 Unc
17	532175689		Trunnion
18	873800800		Nut Lock w/Wsh 1/2-13unc
20	532163552		Retainer Spring
23	532110807		Nut Special
24	819131016		Washer 13/32 X 5/8 X 16 Ga
25	532124874		Spring 2-1/8"
26	532169484		Retainer Clip
27	532126971		Rod Adj Lift Zinc 7.49 Wrk Lg
28	873350600		Nut Hex Jam 3/8-16 Unc
29	532138057		Knob Inf 3/8-16 Unc Blk W/sym
30	532150233		Trunnion Infin Height
31	532176205		Trunnion
32	532175994		Nut Lift Link 7/16-20
36	532155097		Indicator Height STLT
37	532123935		Plug Hole Blk 1.485/1.515 Dia.
38	817060516		Screw 5/16-18 x 1
40	819112410		Washer 11/32 x 1-1/2 10 Ga.
41	532155098		Scale Ind. Height Blk.
49	532145212		Nut Hex Flange Lock
50	532110452		Nut, Push Phos & Oil
51	819171416		Washer 17/32 x 7/8 x 16 Ga.
52	532175378		Arm Susp. Rear Lh
53	532175802		Arm Susp. Rear Rh
54	532175560		Pin Flange





**IGNITION SWITCH**

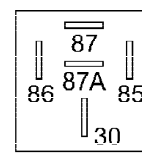
POSITION	CIRCUIT	"MAKE"
OFF	M+G+A1	NONE
RUN/LIGHT	B+A1	A2+L
RUN	B+A1	NONE
START	B + S + A1	NONE

**PTO SWITCH**

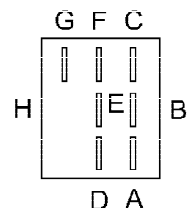
POSITION	CIRCUIT
OFF	C + G, B + H
ON	C + F, B + E, A + D

● NON-REMOVABLE CONNECTIONS

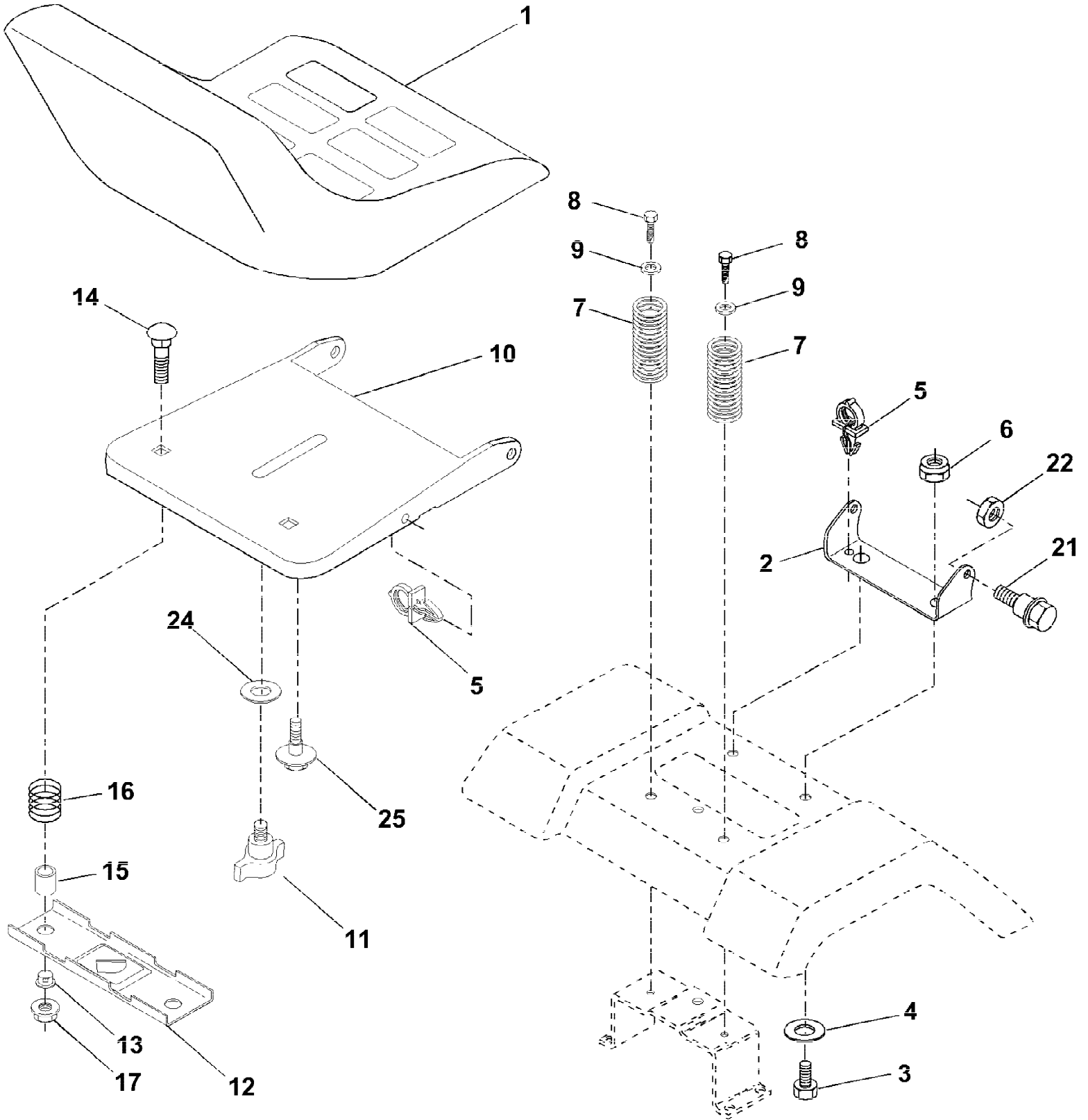
○ REMOVABLE CONNECTIONS



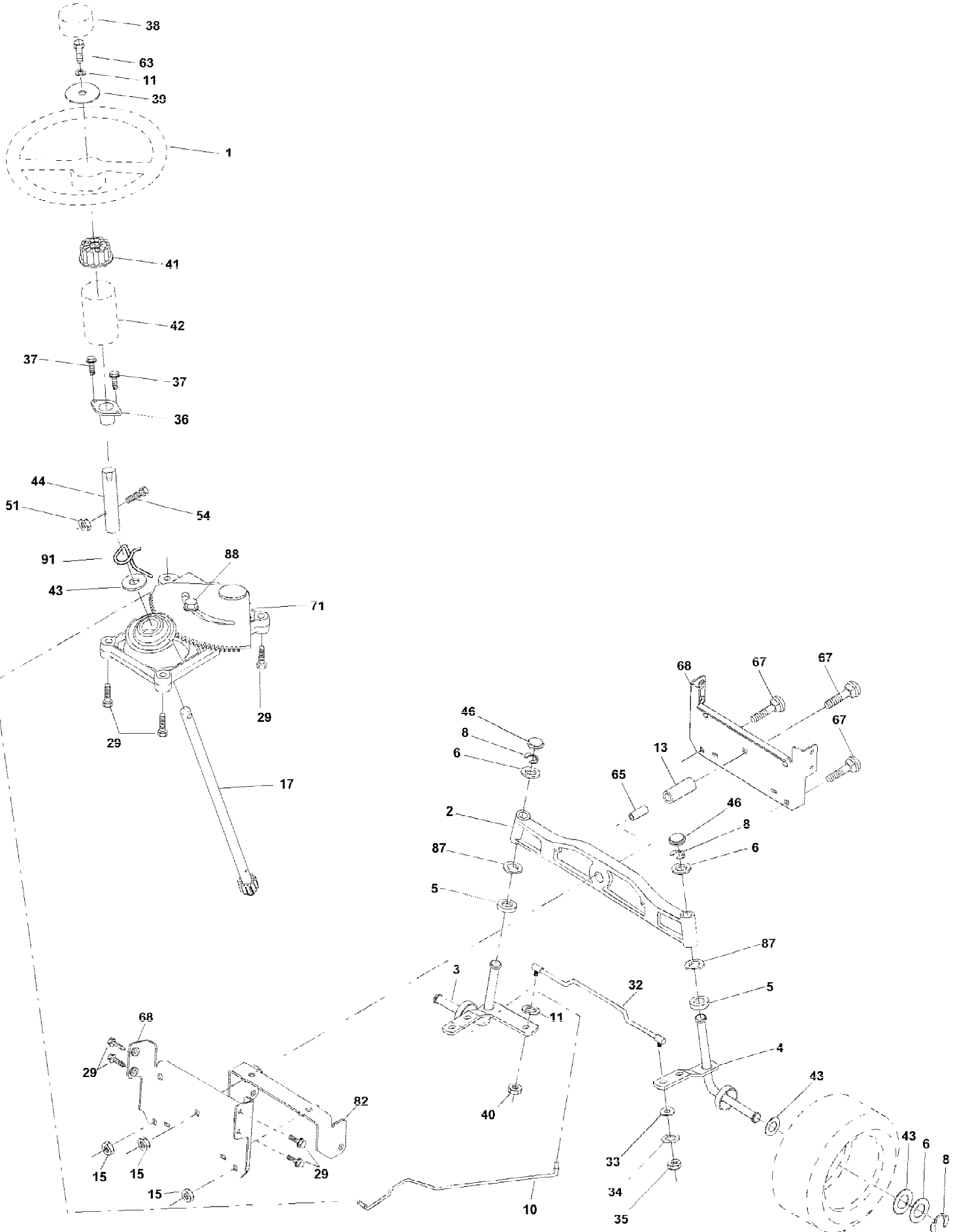
**RELAY**



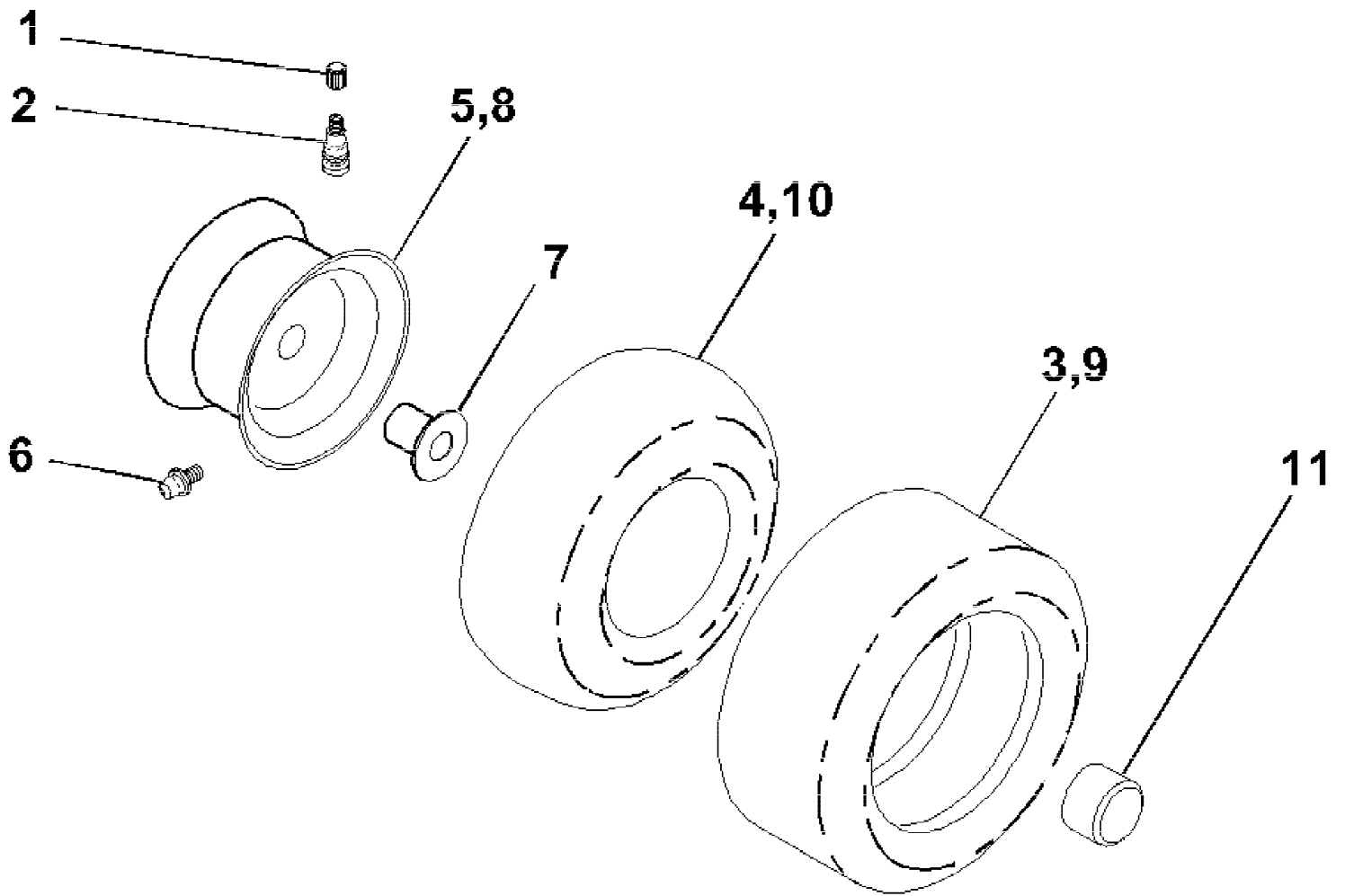
**WIRING INSULATED CLIPS**  
**NOTE:** IF WIRING INSULATED CLIPS WERE REMOVED FOR SERVICING OF UNIT, THEY SHOULD BE REPLACED TO PROPERLY SECURE YOUR WIRING.



Ref #	Part Number	Qty	Description
1	532140840		Seat
2	532140551		Bracket Pivot Seat 8 720
3	871110616		Bolt Fin Hex 3/8-16 x 1
4	819131610		Washer Flat 13/32 x 1.0 x 10 Ga.
5	532145006		Clip Push-In
6	873800600		Nut Hex w/Ins. 3/8-16 Unc
7	532124181		Spring Seat Cprsn 2 250 Blk Zi
8	817000616		Screw 3/8-16 x 1
9	819131614		Washer 13/32 x 1.0 x 14 Ga.
10	532174894		Pan Seat
11	532166369		Knob Seat Adj Wingnut
12	532121246		Bracket Mounting Switch
13	532121248		Bushing Snap Blk Nyl 50 Id
14	872050412		Bolt Rdhd Sqnk 1/4-20x1-1/2
15	532121249		Spacer Split 28 x .88 Zinc
16	532123740		Spring Cprsn Plate
17	532123976		Nut Lock 1/4 Lge Flg Gr 5 Zinc
21	532171852		Bolt Shoulder 5/16-18 Unc
22	873800500		Nut Hex Lock W/Ins 5/16-18
24	819171912		Washer 17/32 X 1 -3/16 X 12 Ga.
25	532127018		Bolt Shoulder 5/16-18 X 62



Ref #	Part Number	Qty	Description
1	532166627		Wheel Steering
2	532172393		Axle Cast Lt Machined
3	532169840		Spindle Asm LH
4	532169839		Spindle Asm RH
5	532124931		Bearing Race Thrust Harden
6	532121748		Washer 25/32 X 1-5/8 X 16 Ga
8	812000029		Ring Klip #t5304-75
10	532175121		Link Drag
11	810040600		Washer Lock Hvy Hlcl Spr 3/8
13	532136518		Spacer Brg Axle Front
15	532145212		Nut Hex Flange Lock
17	532177876		Shaft Asm Strg
29	817060612		Screw 3/8-16x3/4
32	532170162		Rod Tie Ball J
33	819111216		Washer 11/32 x 3/4 x 16 Ga.
34	810040500		Washer Lock Hvy Helical 5/16
35	873540500		Nut Crown Lock 5/16-24Unf
36	532155099		Bushing Strg
37	532152927		Screw
38	532166626		Insert Cap Strg Wh
39	819132411		Washer 13/32 x 1-1/20 x 11 Ga
40	532124701		Lock nut
41	532159945		Adaptor Wheel Strg
42	532169634		Boot Steering Shaft
43	532121749		Washer 25/32 X 1 1/4 X 16 Ga
44	532153720		Extension Steering Shaft LR/LT
46	532121232		Cap Spindle Fr Top Blk
51	873800500		Nut Lock Hex w/Ins 5/16-18
54	874780520		Bolt Fin Hex 5/16-18 Unc x 1-1/4
63	874780616		Bolt Fin Hex 3/8-16unc x 1 Gr. 5
65	532160367		Spacer Brace Axle
67	872140618		Bolt Rdhd Sq 3/8-16 x 2-1/4
68	532169827		Axle, Brace
71	532175146		Steering Asm
82	532169835		Bracket Susp Chassis Front
87	532173966		Washer Flat .781 x 1-1/2 x .14
88	532175118		Bolt Shoulder 7/16-20
91	532175553		Clip Steering



Ref #	Part Number	Qty	Description
1	532059192		Cap Valve Tire
2	532065139		Stem Valve
3	532106222		Tire F Ts 15 X 6 0 - 6 Service
4	532059904		Tube Front (Service Item Only)
5	532138336		Rim Asm 6" front Silver Service
6	532124957		Fitting Grease (Front Wheel Only)
7	532124959		Bearing Flange (Front Wheel Only)
8	532138337		Rim Asm 8" rear Silver Service
9	532122082		Tire R Ts 20x10-8 C Service
10	532124926		Tube Rear (Service Item Only)
11	532175039		Cap Axle Blk 1 50 X 1 00
	532144334		Sealant, Tire (10 oz. Tube)