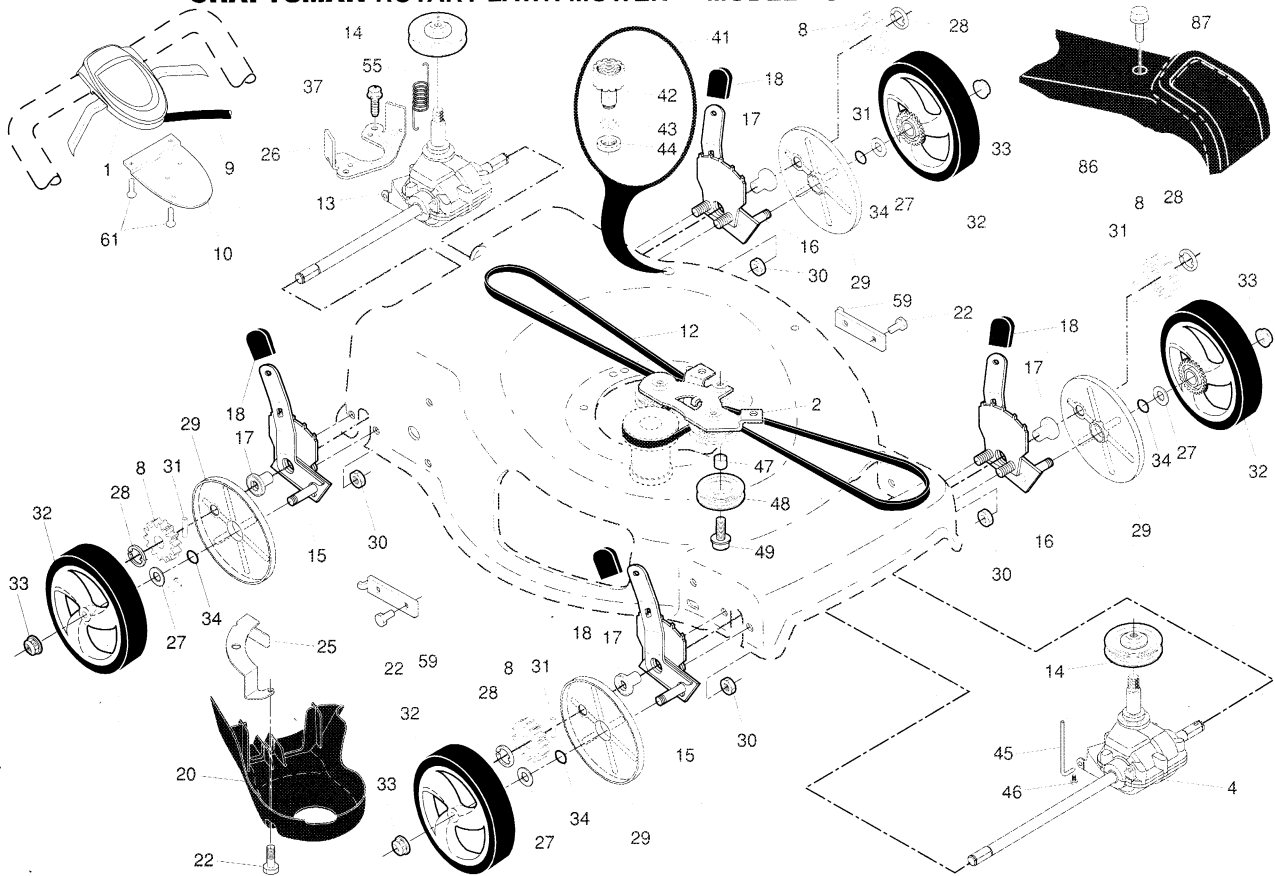


CRAFTSMAN ROTARY LAWN MOWER -- MODEL NUMBER 944.363420



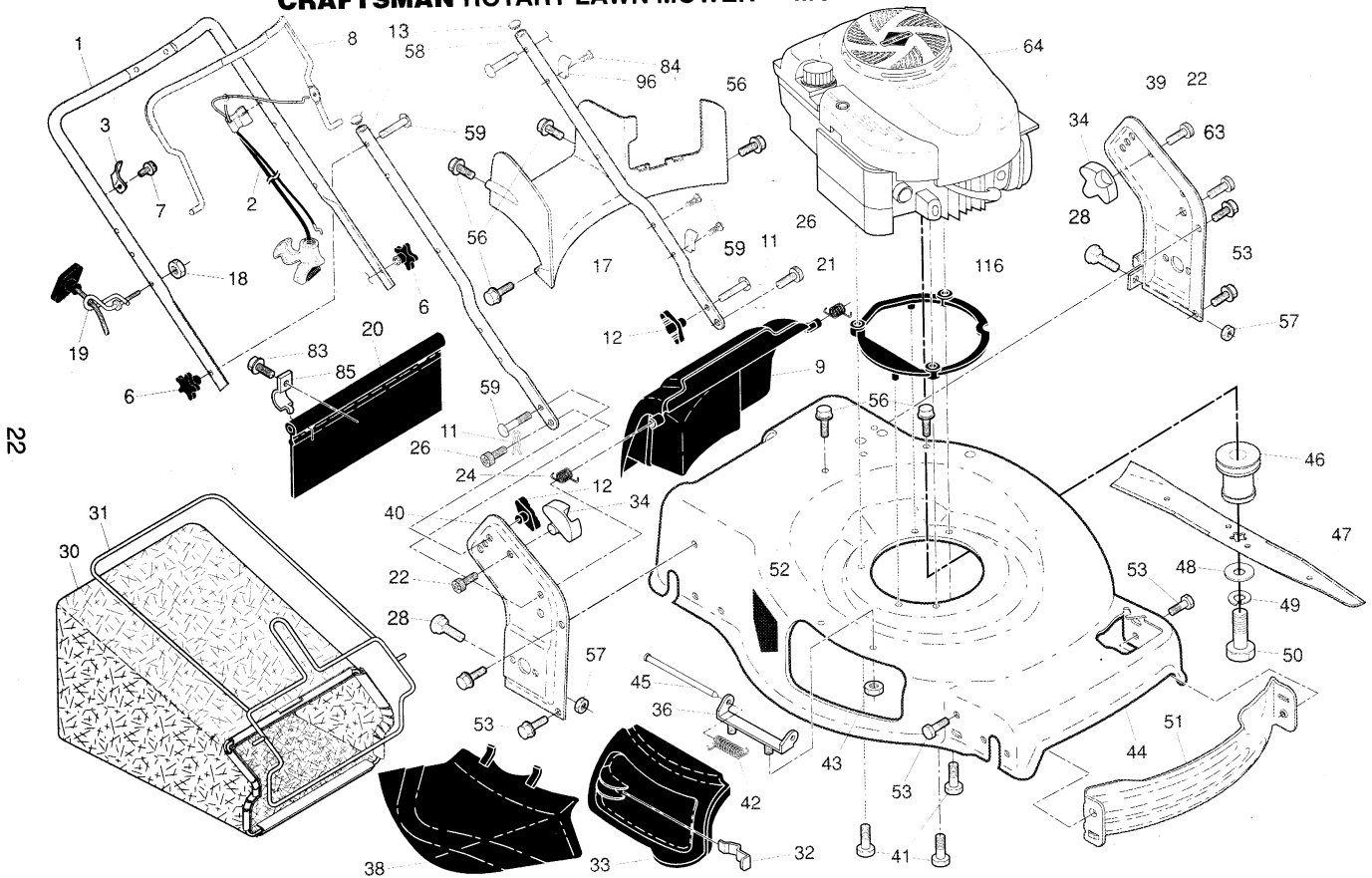
CRAFTSMAN ROTARY LAWN MOWER -- MODEL NUMBER 944.363420

KEY NO.	PART NO.	DESCRIPTION	KEY NO.	PART NO.	DESCRIPTION
1	581351103	Drive Control Assembly (Includes Cable)	28	12000058	E-Ring
2	580364202	Mounting Bracket, Idler Pulleys	29	581840401	Dust Cover
4	580502001	Gearcase, Front, Complete	30	438130	Locknut, Hex
8	404835	Pinion	31	404845	Pawl, Drive
9	431650	Cable, Drive	32	580365301	Wheel & Tire Assembly, Front
10	429544X479	Mounting Bracket, Drive Control	33	409148	Locknut, Hex
12	580364602	Belt, Drive	34	197480	O-Ring
13	581680801	Gearcase, Rear, Complete	37	163409	Screw, Hi-Lo Thread #12 x 5/8
14	194128	Drive Pulley	41	421114	Water Washout Assembly
15	581497903	Wheel Adjuster Assembly, RH (Includes Bearing, Key Number 17)	42	419735	Fitting, Hose, Water Washout
16	581497904	Wheel Adjuster Assembly, LH (Includes Bearing, Key Number 17)	43	415585	Washer, Lock, Internal Tooth
17	---	Bearing Assembly, Wheel Adjuster	44	415586	Locknut, Hex, with O-Ring
18	701037	Knob, Selector	45	197480	Belt Keeper, Gearcase, Front
20	580806901	Debris Shield	46	437345	Screw
22	17000510	Screw, Hex Washer Head	48	581904001	Pulley, Idler
25	421515X004	Mounting Bracket, Debris Shield	49	581334501	Screw, Mounting, Idler Pulley
26	581152502	Belt Keeper, Gearcase, Rear	55	581351301	Spring, Tension
27	67725	Washer, Flat 3/8	59	441786X004	Support Bracket
			61	181698	Screw
			86	580991505	Drive Cover
			87	175262	Screw, Pan Head #10-24 x 2-3/4

NOTE: All component dimensions given in U.S. inches. 1 inch = 25.4 mm.

IMPORTANT: Use only Original Equipment Manufacturer (O.E.M.) replacement parts. Failure to do so could be hazardous, damage your lawn mower and void your warranty.

CRAFTSMAN ROTARY LAWN MOWER -- MODEL NUMBER 944.363420



REPAIR PARTS

CRAFTSMAN ROTARY LAWN MOWER -- MODEL NUMBER 944.363420

KEY NO.	PART NO.	DESCRIPTION	KEY NO.	PART NO.	DESCRIPTION	KEY NO.	PART NO.	DESCRIPTION
1	580638705	Upper Handle	31	446432	Frame, Grass Catcher	53	17000510	Screw
2	438396	Cable, Engine Zone Control	32	419944X007	Latch, Mulcher Door	56	17411312	Screw, Hex Washer Head #13 x 3/4
3	429930X004	Bracket, Upstop	33	420019	Mulcher Door	57	155377	Nut, Hex
6	182398	Handle Knob, Star	34	419946X615	Bracket, Grassbag	58	437517X479	Bar, Lower Handle
7	178848	Screw #10-16 x 5/8	36	175735	Hinge Bracket Assembly	59	191574	Handle Bolt
8	426432X428	Control Bar	38	419942X428	Discharge Deflector	61	73930500	Nut, Hex 3/8-16
9	430653	Rear Door Assembly	39	581353703	Handle Bracket, LH	62	420474X004	Belt Retainer
11	425575	Hairpin, Door/Handle Pivot	40	581353603	Handle Bracket, RH	63	178848	Screw #10-16 x 5/8
12	189713X428	Handle Knob, Standard	41	850999	Bolt, Engine 3/8-16	64	---	Engine, Briggs & Stratton, Model Number 128M02-0006-F1 (See Breakdown)
13	437516	Plug, Handle Bar	42	193000	Spring, Torsion	83	750097	Screw, Hex Washer Head
17	581782101	Rear Baffle	43	191730	Nut, Hex, Nylock	84	428124	Fastener, Push
18	132004	Keys Locknut 1/4-20	44	581376801	Kit, Lawn Mower Housing	85	429801X004	Mounting Bracket, Rear Skirt
19	194788	Rope Guide	45	175650	Rod, Hinge	96	197991	Clip, Cable
20	444501	Rear Skirt	46	581650901	Blade Adapter / Pulley	116	581745601	Spacer, Engine
21	419949	Spring, Rear Door, LH, Black	47	421825	Blade, 22"	--	584142127	Owner's Manual, English
22	141841	Screw, Panhead, Torx #20	48	851074	Washer, Hardened	--	584142132	Owner's Manual, French
24	419948	Spring, Rear Door, RH, Grey	49	850263	Washer, Helical			
26	419945	Screw, Rear Door/Handle Pivot	50	179617	Screw, Machine, Hex Head 3/8-24 x 1-3/8 Grade 8			
28	72250505	Bolt, Carriage 5/16-18 x 5/8	51	430599	Front Baffle			
30	580943402	Grassbag	52	404763	Decal, Danger			

NOTE: All component dimensions given in U.S. inches. 1 inch = 25.4 mm.

IMPORTANT: Use only Original Equipment Manufacturer (O.E.M.) replacement parts. Failure to do so could be hazardous, damage your lawn mower and void your warranty.