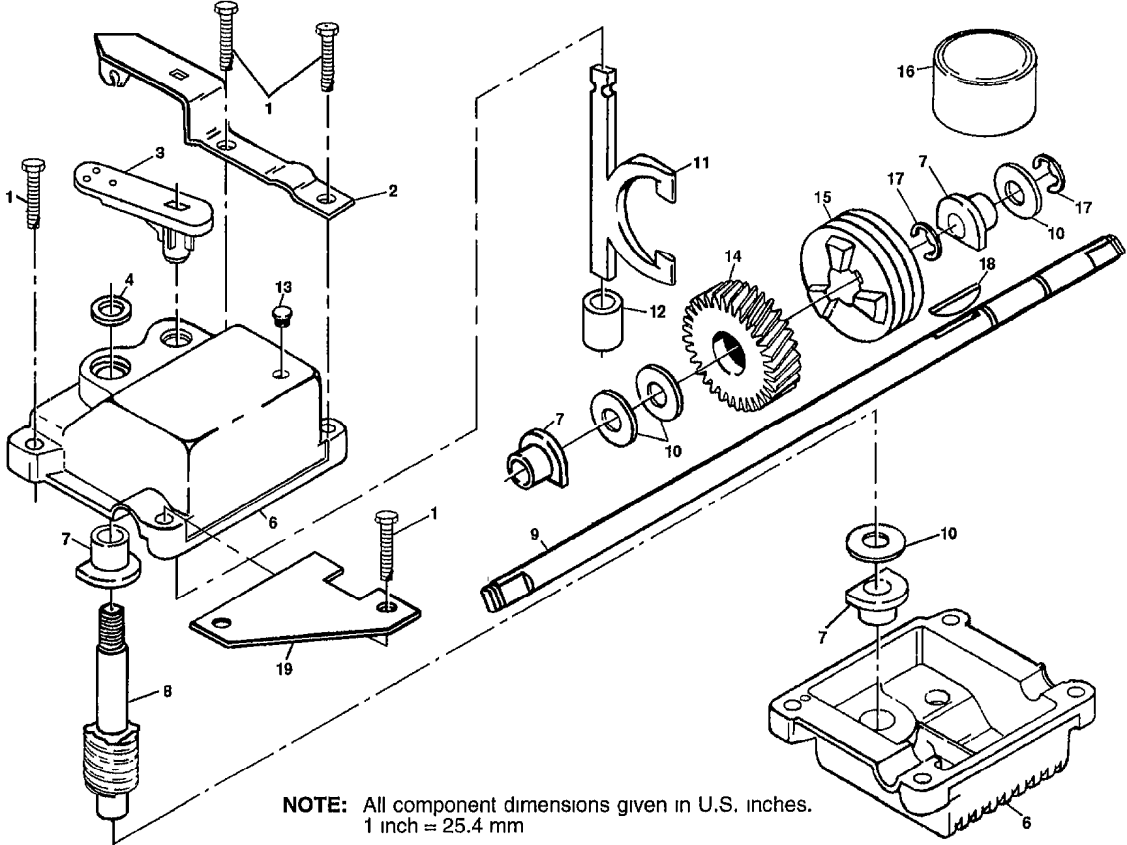




**POWER PROPELLED LAWN MOWER -- MODEL NO. AYP5268A99**  
**GEAR CASE ASSEMBLY PART NUMBER 702511**



**NOTE:** All component dimensions given in U.S. inches.  
1 inch = 25.4 mm

| Ref # | Part Number | Qty | Description       |
|-------|-------------|-----|-------------------|
|       | 702511      |     | SUB= 48367        |
| 1     | 17490416    |     | SCREW.1/4-20      |
| 2     | 137055X004  |     | BRACKET.GEARCASE  |
| 3     | 137053      |     | SHIFTER           |
| 4     | 57072       |     | SEAL              |
| 6     | 48373       |     | KIT GEARCASE HALV |
| 7     | 77881       |     | BEARING           |
| 8     | 137051      |     | SHAFT.WORM        |
| 9     | 137074      |     | SHAFT.DRIVE       |
| 10    | 57079       |     | THRUST WASHER     |
| 11    | 131484      |     | CLUTCH YOKE       |
| 12    | 700343      |     | BUSHING.GEAR BOX  |
| 13    | 86447       |     | PLUG PM           |
| 14    | 137050      |     | GEAR.HELICAL      |
| 15    | 750436X     |     | CLUTCH JAW        |
| 16    | 750369      |     | SUB= 6066J        |
| 17    | 12000003    |     | RING T            |
| 18    | 850848      |     | HI PRO KEY        |
| 19    | 81585X004   |     | SPRING BRKT       |