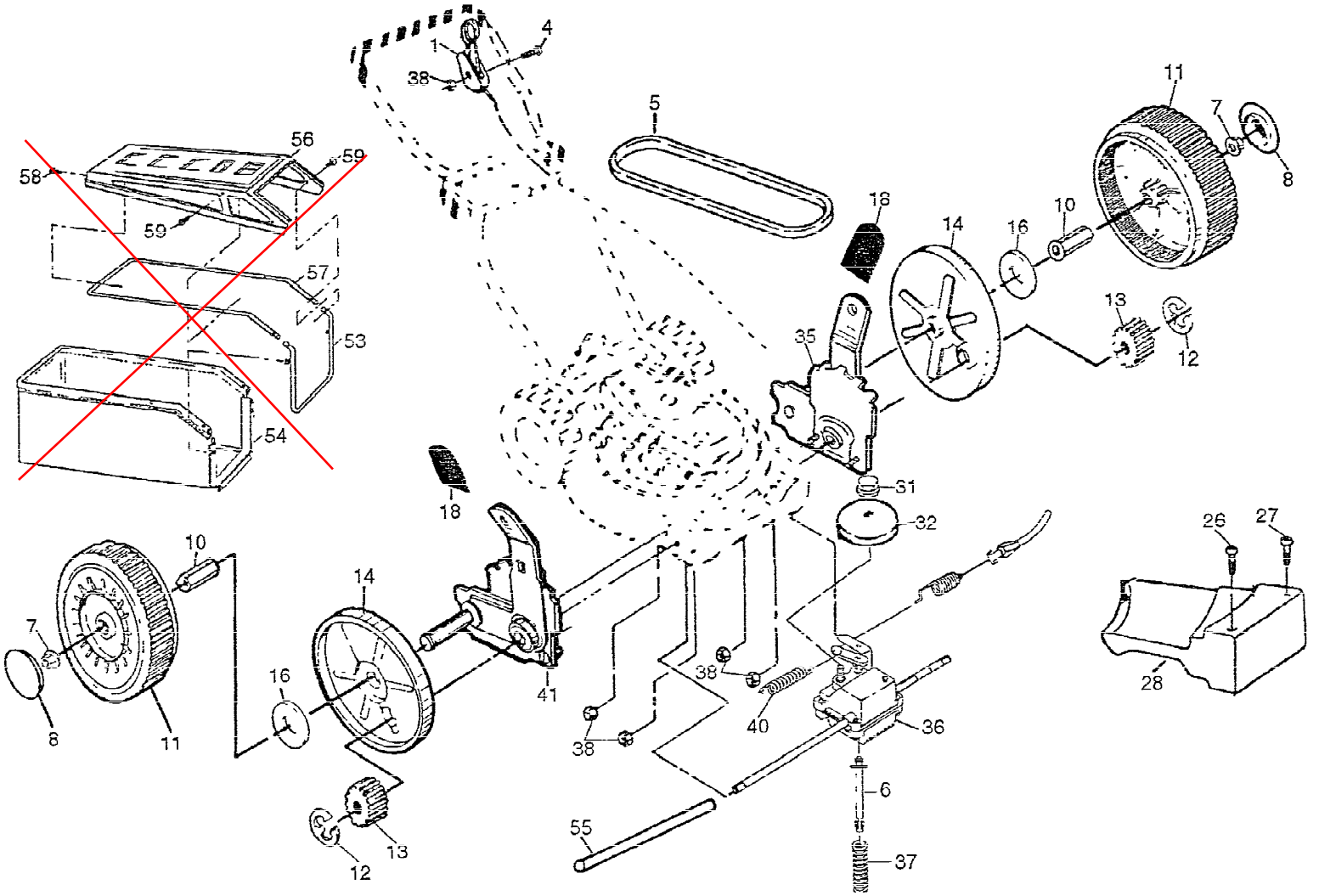


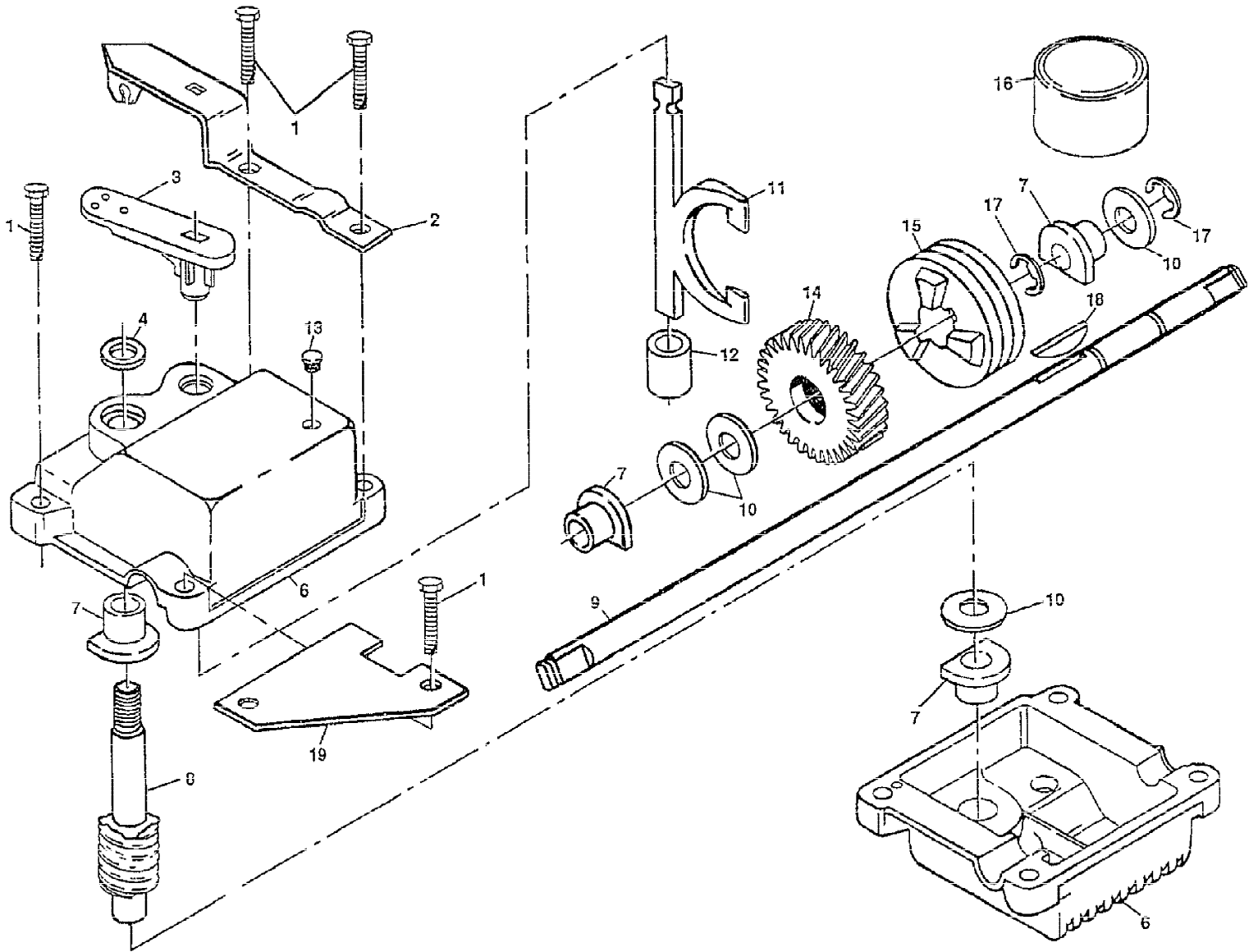
ROTARY LAWN MOWER - - MODEL NUMBER 2226-74



Ref #	Part Number	Qty	Description
1	146323		CONTROL.DRV.56.25
4	144929		SCREW.HXHD.WASH.
5	146527		SUB= 157769
6	150495		SPRING.RETAINER.
7	145212		NUT.HXFLG.LOCK.
8	77400		HUB CAP
10	88446		BUSHING.HEX
11	88558		WHEEL.DRIVE.ASM
12	12000058		E-RING.7/16.RE.
13	137054		PINION.GEAR
14	88080		DUST SHROUD PM
16	67725		WASHER FLUT
18	87877		KNOB PM
26	146072		SCREWL.SLOT.TORXT
27	149746		SCREW.SLOT.TORTX.
28	137081		"COVER.DRIVE 22""RD"
31	132010		LOCKNUT
32	137052		PULLEY.DRIVEN
35	151520		WHEEL.ADJ.ASM.RH.
36	702511		SUB= 48367
37	137090		SPRING.TENSION
38	63601		SUB= 73800400
40	75192		SPRING
41	151521		WHEEL.ADJ.ASM.LH.
53	851735		"FRAME,CATCHER"
54	144605		GRASS CATCHER
55	86012		DRV SHAFT TUBE PM
56	851739		"TOP,CATCHER"
57	851658		"TUBE,CATCHER"
58	131029		SCREW
59	750634		SCREW
	159162		DRIVE COVER DECAL

### POWER PROPELLED LAWN MOWER - - MODEL NO. 2226-74

GEAR CASE ASSEMBLY PART NUMBER 702511



Ref #	Part Number	Qty	Description
1	17490416		SCREW.1/4-20
2	137055X004		BRACKET.GEARCASE
3	137053		SHIFTER
4	57072		SEAL
6	48373		KIT GEARCASE HALV
7	77881		BEARING
8	137051		SHAFT.WORM
9	137074		SHAFT.DRIVE
10	57079		THRUST WASHER
11	131484		CLUTCH YOKE
12	700343		BUSHING.GEAR BOX
13	86447		PLUG PM
14	137050		GEAR.HELICAL
15	750436X		CLUTCH JAW
16	750369		SUB= 6066J
17	12000003		RING T
18	850848		HI PRO KEY
19	81585X004		SPRING BRKT