

**CRAFTSMAN<sup>®</sup>**  
**6.75 HORSEPOWER**  
**22" REAR DISCHARGE**  
**ROTARYLAWN MOWER**

Each lawn mower has its own model number. Each engine has its own model number.

The model number for your lawn mower will be found on a decal attached to the rear of the lawn mower housing.

The model number for your engine will be found on the blower housing of the engine.

All parts listed herein may be ordered from any Sears Canada, Inc. Service Centre/Department and most Retail Stores.

WHEN ORDERING REPAIR PARTS, ALWAYS GIVE THE FOLLOWING INFORMATION:

- PRODUCT - LAWN MOWER

- MODEL NUMBER - 944.368300

- ENGINE MODEL NO. - 143.986708

- PART NUMBER

- PART DESCRIPTION

Your Sears merchandise has added value when you consider Sears has service units nationwide staffed with Sears trained technicians... professional technicians specifically trained to insure that we meet our pledge to you, we service what we sell.

**NEED A PART?**

SEARS HAS ACCESS TO OVER 800,000 PARTS

WHETHER IT'S A SPARK PLUG OR LAWNMOWER BLADE.

SEARS PARTS AND SERVICE CAN SUPPLY YOU WITH

TOP QUALITY REPAIR PARTS FOR ALL YOUR PRODUCTS.

JUST CALL ONE OF THE FOLLOWING NUMBERS TO PLACE YOUR

ORDER. IF CALLING LOCALLY:

Regina - 566-5124  
 Montreal - 333-5740

Toronto - 744-4900  
 Halifax - 454-2444

Kitchener - 894-7590  
 Ottawa - 738-4440

Vancouver - 420-8211

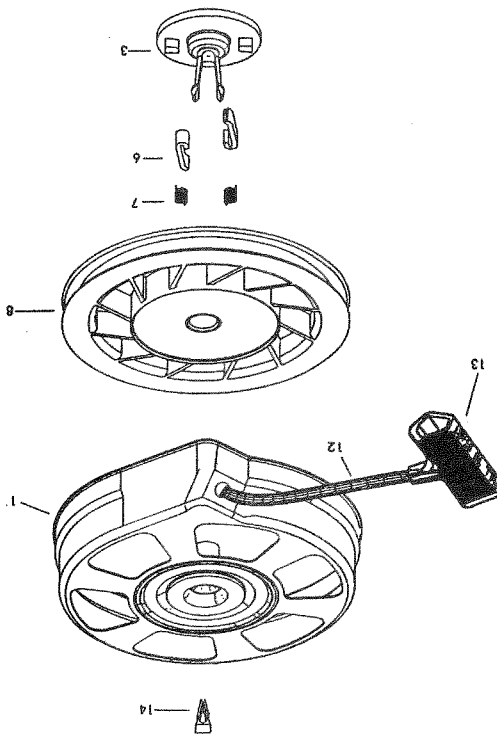
**ALL OTHER AREAS CALL 1-800-665-4455**

**OWNER'S**  
**MANUAL**

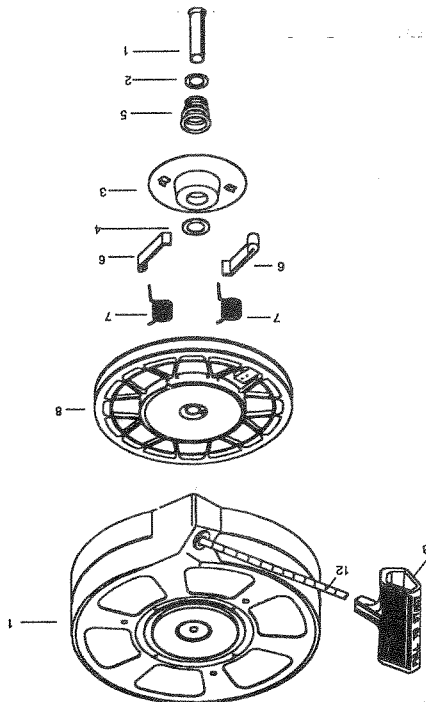
**MODEL NO.**  
**944.368300**

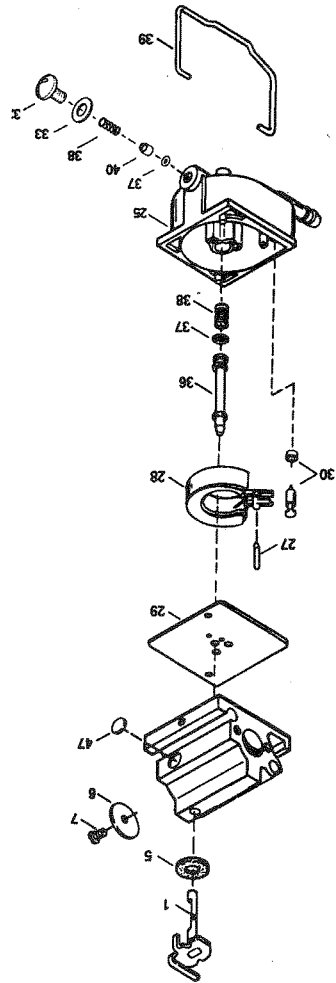
**HOW TO ORDER**  
**REPAIR PARTS**

KEY PART NO. NO.	DESCRIPTION
590739	Rewind Starter
3	Retainer
590740	Starter Dog
6	Starter Dog
7	Dog Spring
590617	Pulley & Rewind Spring Ass'y.
8	Pulley & Rewind Spring Ass'y.
590618A	Starter Housing Ass'y.
11	Starter Housing Ass'y.
590638	(40 degree grommet)
12	Starter Rope
590535	Starter Rope (Length 98" x 9/64" dia.)
13	Starter Handle
590701	Starter Handle
14	Locking Tab



KEY PART NO. NO.	DESCRIPTION
590702	Recoll Starter
1	Spring Pin (Incl. 4)
2	Washer
590600	Retainer
3	Retainer
590696	Washer
4	Washer
590697	Brake Spring
6	Starter Dog
590698	Starter Dog
7	Dog Spring
590699	Pulley & Rewind Spring Ass'y.
8	Pulley & Rewind Spring Ass'y.
11	Starter Housing Ass'y.
590703	Starter Housing Ass'y.
12	Starter Rope (98" X 9/64" dia.)
590535	Starter Rope (98" X 9/64" dia.)
13	Starter Handle





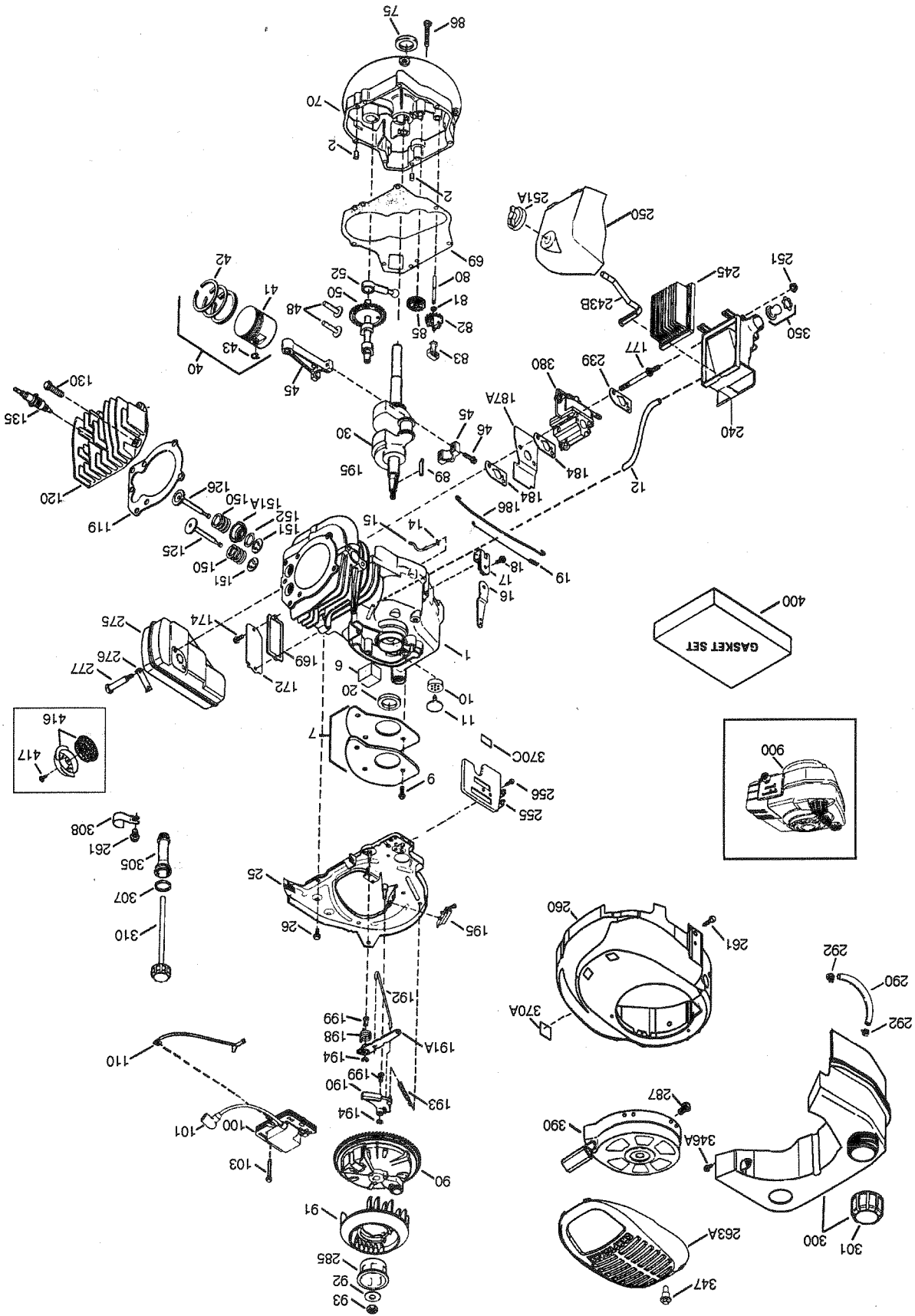
KEY PART NO. NO.	DESCRIPTION
1	Carburetor (Incl. 187B & 239 of Engine Parts List)
5	Throttle Shaft & Lever Assembly
6	Dust Seal
7	Throttle Shutter
25	Throttle Shutter Screw
27	Float Bowl
28	Float Shaft
29	Float
30	Float Bowl to Body Gasket
31	Inlet Needle, Seat & Seat Retainer
32	Bowl Drain Washer
33	Bowl Drain Screw
34	Bowl Nozzle Tube
35	"O" Ring
36	Spring, Main Nozzle Tube
37	Float Bowl Retainer
38	Main Fuel Jet
39	Welch Plug, Idle Mixing Well
---	640020

# CRAFTSMAN 4-CYCLE ENGINE

MODEL NO. 143.986708

KEY PART NO. NO.	DESCRIPTION	KEY PART NO. NO.	DESCRIPTION
1	Cylinder (incl. 2, 10, 12, 20 & 125)	184	36183 Carburetor Gasket
2	Dowel Pin	186	36009 Governor Link
6	Breather Element	187A	37148 Air Baffle
7	* Breather Cover & Gasket	190	36013 Brake Lever Assy.
9	Screw, 10-24 x 3/4"	191A	36012 Brake Control Lever
10	Breather Valve Body	192	36016 Brake Control Lever Link
11	36003A Check Valve	193	36015 Brake Spring
12	32447 Breather Tube	194	36014 Retaining Ring
14	28277 Flat Washer	195	610973 Terminal Assy.
15	36006 Governor Rod (Machined)	198	36017 Brake Control Lever Spring
16	36008 Governor Lever	199	36018 Brake Lever Bushing
17	31335 Governor Lever Clamp	239	36048 Carburetor To Air Cleaner Gasket
18	651018 Screw, Torx T-15, 8-32 x 19/64"	240	36190 Air Cleaner Body (incl. 239 & 350)
19	36103 Governor Spring	243B	651041 Air Cleaner Stud
20	36010 Oil Seal	245	36046 Air Cleaner Filter
25	37149 Blower Housing Baffle Assy.	250	36191 Air Cleaner Cover
26	650802 Screw, 1/4-20 x 5/8" (incl. 195)	251	650928 Lock Nut 1/4-20
30	36185 Crankshaft	251A	650933 Wing Nut, 1/4-20
30	36185 Piston, Pin, Ring Set (Std.)	255	36193 Control Plate
40	40004 Piston, Pin, Ring Set (.010 OS)	256	650983 Screw, 8-32 x 21/64"
40	40005 Piston & Pin Assy. (Std.) (incl. 43)	260	36188 Blower Housing
41	36071 Piston & Pin Assy.	261	650737 Screw, 1/4-20 x 1/2"
42	40006 Ring Set (Std.)	263A	36192 Starter Grill
42	40007 Ring Set (.010 OS)	275	36107 Muffler
43	20381 Piston Pin Retaining Ring	276	36043 Locking Plate
45	36023A Connecting Rod Assy. (incl. 46)	277	650927 Screw, 5/6-18 x 2-11/32"
46	32610A Connecting Rod Bolt	285	3449A Starter Cup
48	36030 Valve Lifter	287	650926 Screw, 8-32 x 21/64"
50	36031A Camshaft (MCR)	290	29774 Fuel Line
52	29914 Oil Pump Assy.	292	26460 Fuel Line Clamp
52	29914 Oil Pump Assy.	300	36189 Fuel Tank (incl. 301)
69	* Mounting Flange Gasket	301	36246 Fuel Cap
70	36194A Mounting Flange (incl. 72 thru 85)	305	36063 Oil Fill Tube
75	36010 Oil Seal	307	35499 "O" Ring
80	30574A Governor Shaft	308	36040 Fill Tube Clip
81	30590A Washer	310	36064 Dipstick
82	30591 Governor Gear Assy. (incl. 81)	310	36064 Dipstick
83	36057 Governor Spool	346A	28763 Screw, 10-32 x 35/64"
85	36034 Idler Gear	347	650898A Screw, 10-32 x 27/32"
86	650924 Screw, 1/4-20 x 1-9/16"	350	36045A Primer
89	611154 Flywheel Key	370A	36261 Lubrication Decal
90	611155 Flywheel	370C	36861 Primer Decal
91	611156 Flywheel Fan	380	640020 Carburetor (incl. 239)
92	650815 Belleville Washer	390	590702 Rewind Starter
93	650816 Flywheel Nut	400	36062C Gasket Set
100	34443B Solid State Ignition	390	590702 Rewind Starter
101	610118 Spark Plug Cover	416	36085 Spark Arrestor Kit
103	651007 Screw, Torx T-15, 10-24 x 15/16"	417	650760 (incl. 417)(Optional) Screw, 8-32 x 3/8" (Optional)
110	36054 Ground Wire	900	Replacement Engine 750819A, order from 71-999
119	* Cylinder Head Gasket	900	Replacement S/B 750797A, order from 71-999
120	36187 Cylinder Head	900	Replacement Engine 750819A, order from 71-999
125	36471 Exhaust Valve (Std.) (incl. 151)	900	Replacement Engine 750819A, order from 71-999
126	29314B Intake Valve (Std.) (incl. 151)	900	Replacement Engine 750819A, order from 71-999
126	29315C Intake Valve (1/32" OS)	900	Replacement Engine 750819A, order from 71-999
130	6021A Screw, 5/16-18 x 1-1/2"	900	Replacement Engine 750819A, order from 71-999
135	35395 Resistor Spark Plug (Rj19LM)	900	Replacement Engine 750819A, order from 71-999
150	31672 Valve Spring	900	Replacement Engine 750819A, order from 71-999
151	31673 Lower Valve Spring Cap	900	Replacement Engine 750819A, order from 71-999
151A	40016 Intake Valve Seal	900	Replacement Engine 750819A, order from 71-999
152	37075 "O"-Ring	900	Replacement Engine 750819A, order from 71-999
169	* Valve Spring Box Gasket	900	Replacement Engine 750819A, order from 71-999
172	32755 Valve Spring Box Cover	900	Replacement Engine 750819A, order from 71-999
174	30200 Screw, 10-24 x 9/16"	900	Replacement Engine 750819A, order from 71-999
177	650925A Carburetor Mounting Stud	900	Replacement Engine 750819A, order from 71-999

**NOTE:** This engine could have been built with 590739 starter.  
**NOTE:** All component dimensions given in U.S. inches  
 1 inch = 25.4 mm



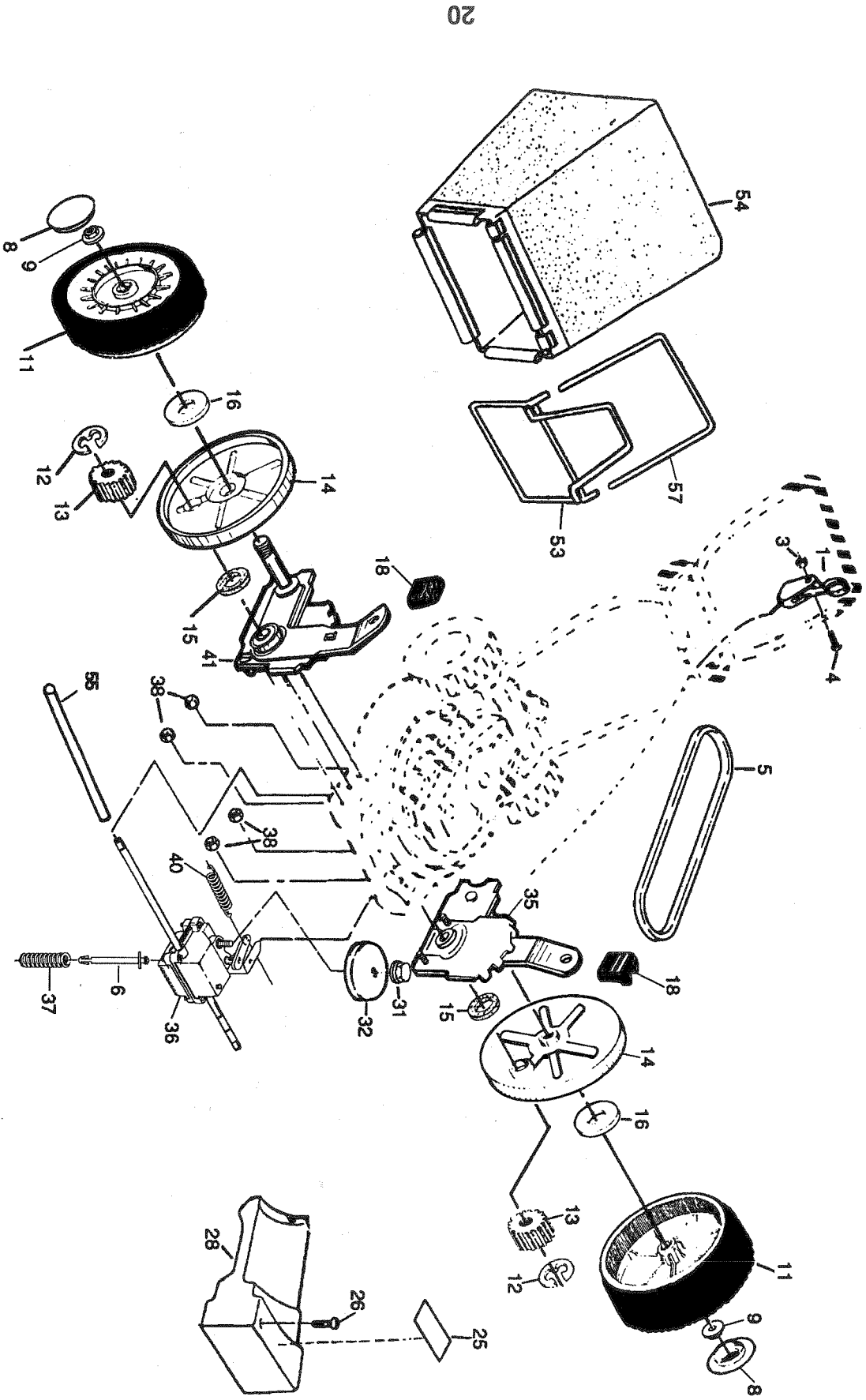
# REPAIR PARTS

## ROTARY LAWN MOWER MODEL NUMBER 944.368300

KEY NO.	PART NO.	DESCRIPTION	KEY NO.	PART NO.	DESCRIPTION
1	145755	Control Cable Assembly	28	154990	Drive Cover
3	751152	Locknut #10-24	31	132010	Hex Flange Nut
4	158755	Hex Washer Head Screw 1/4-2.0	32	137052	Drive Pulley
5	146527	V-Belt	35	151521	Wheel Adjuster Assembly (Left)
6	150495	Spring Retainer	36	702511	Gear Case Assembly
8	150182	Hubcap	37	137090	Spring
9	145212	Locknut	38	STD541425	Locknut 1/4-20
11	150340	Wheel & Tire Assembly	40	75192	Spring
12	12000058	E-Ring	41	151520	Wheel Adjuster Assembly (Right)
13	137054	Pinion	53	144747	Frame Throat
14	88080	Dust Cover	54	154872	Grassbag Assembly
15	88118	Felt Washer	55	86012	Driveshaft Cover
16	67725	Washer 1/2 x 1-1/2 x .134	57	144748	Frame Tube
18	701037	Selector Knob			
25	152903	Drive Cover Decal			
26	143603	Pan Head Tapping Screw #10-24 x 2-3/4			

# REPAIR PARTS

ROTARY LAWN MOWER MODEL NUMBER 944.368300



# REPAIR PARTS

## ROTARY LAWN MOWER MODEL NUMBER 944.368300

KEY NO.	PART NO	DESCRIPTION	KEY NO.	PART NO	DESCRIPTION
1	145646X479	Upper Handle	34	146630	Spacer
2	158152	Engine Zone Control Cable	35	700325X007	Wheel Adjusting Bracket (Right)
4	150425	Mulcher Plug	37	150078	Thread Cutting Screw w/Sems 5/16-18 x 3/4
5	66426	Wire Ties	39	151512X479	Handle Bracket Assembly (Left)
6	136376	Handle Knob	40	151511X479	Handle Bracket Assembly (Right)
8	145793	Control Bar	41	150406	Hex Head Thread Rolling Screw 3/8-16 x 1-1/8
9	151023	Rear Door Kit	44	48413	Lawn Mower Housing (Incl. Key #14, 15, 51 & 52)
10	128415	Pop Rivet	46	851514	Blade Adapter
11	150050	Self Tapping Screw #10-16 x 1/2	47	157101	Blade 22"
12	54583	Hex Tapping Screw w/Sems 1/4-20 x 1/2	48	851074	Hardened Washer
13	150181	Hubcap	49	850263	Helical Washer 3/8-24 x 1-3/8 Gr. 8
14	156374X479	Back Plate	50	851084	Hex Head Machine Screw 3/8-24 x 1-3/8 Gr. 8
15	700365X479	Side Baffle	51	700869X479	Front Baffle
16	133190X479	Discharge Baffle	52	107339X	Danger Decal
17	140661X479	Rear Baffle	55	751592	Locknut 3/8-16
18	63601	Keys Locknut 1/4-20	56	88652	Hinge Screw 1/4-20 x 1-1/4
20	140540	Rear Skirt	57	51793	Hairpin Cotter
22	85543	Engine Pulley	58	157081X479	Lower Handle
23	87677	Hi-Pro Key #505	59	131959	Handle Bolt
25	83923	Hex Flange Nut	61	103672X	Rope Guide
27	150341	Wheel	62	134612	Debris Shield
28	142748	Shoulder Bolt 3/8-16 x 1	64	-----	Engine (See Breakdown)
29	62335	Spring Washer	--	163549	Craftsman 143.986708
30	145935X004	Axle Arm Assembly			Owner's Manual (English/French)
31	701037	Selector Knob			
32	700331X004	Selector Spring			

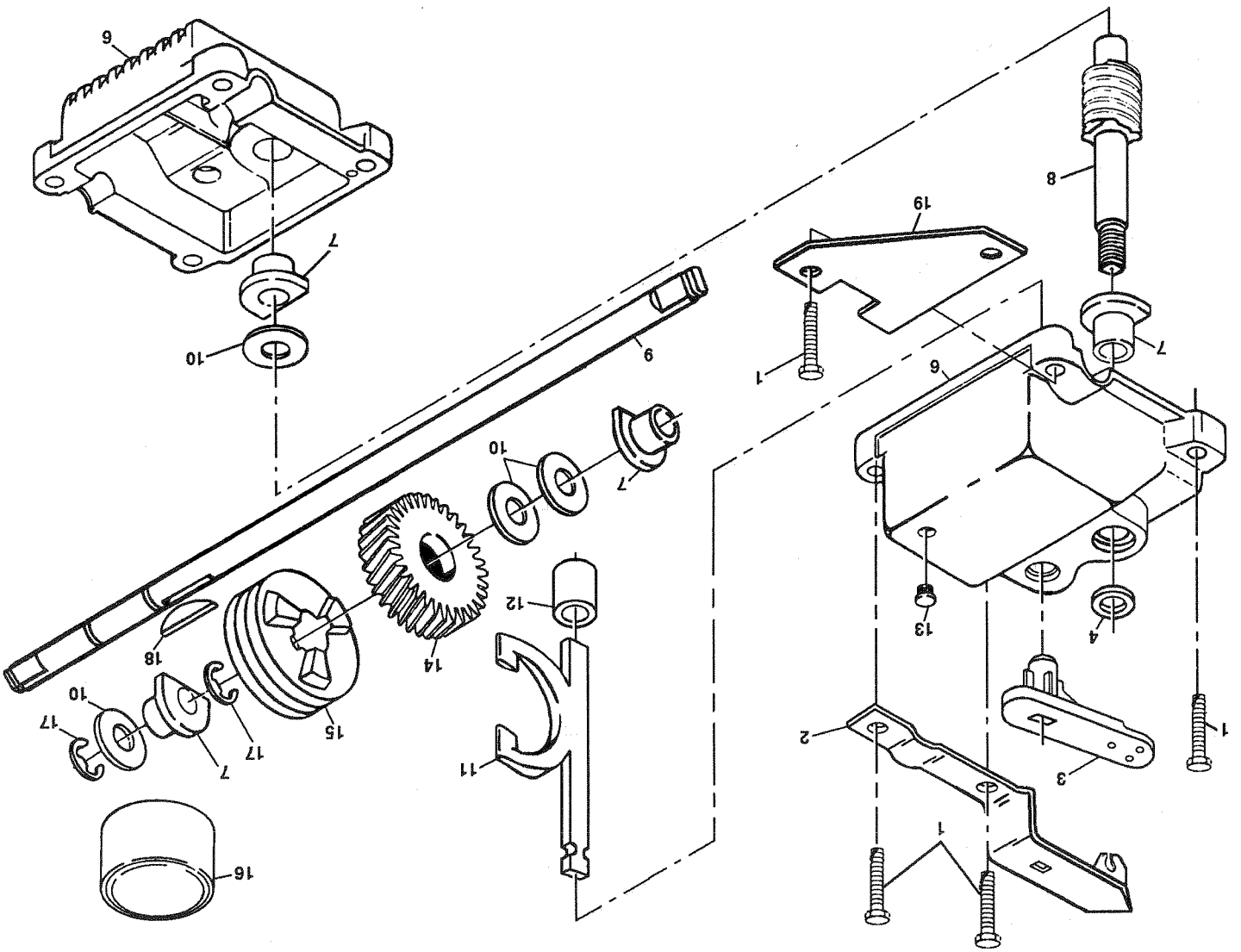




# REPAIR PARTS

POWER PROPELLED LAWN MOWER -- MODEL NO. 944.368300

GEAR CASE ASSEMBLY PART NUMBER 702511



KEY NO.	PART NO.	DESCRIPTION
1	17490416	Screw, Tapping 1/4-20 x 1-1/4
2	137055X004	Bracket, Adjusting
3	137053	Shifter
4	57072	Seal
6	48373	Gear Case Halves, Upper and Lower (Includes Key #4, 5 and 7)
7	77881	Bearing
8	137051	Shaft, Worm
9	137074	Drive Shaft
10	57079	Washer, Hardened
11	131484	Yoke, Clutch
12	700343	Bushing
13	86447	Plug
14	137050	Gear, Helical
15	750436X	Jaw, Clutch
16	750369	Grease
17	12000003	E-Ring
18	850848	Key, Hi-Pro
19	81585X004	Spring Bracket

KEY NO.	PART NO.	DESCRIPTION
11	131484	Yoke, Clutch
12	700343	Bushing
13	86447	Plug
14	137050	Gear, Helical
15	750436X	Jaw, Clutch
16	750369	Grease
17	12000003	E-Ring
18	850848	Key, Hi-Pro
19	81585X004	Spring Bracket

NOTE: All component dimensions given in U.S. inches  
1 inch = 25.4 mm

# TROUBLESHOOTING POINTS

PROBLEM	CAUSE	CORRECTION
Does not start	<ol style="list-style-type: none"> <li>1. Dirty air filter.</li> <li>2. Out of fuel.</li> <li>3. Stale fuel.</li> <li>4. Water in fuel.</li> <li>5. Spark plug wire is disconnected.</li> <li>6. Bad spark plug.</li> <li>7. Loose blade or broken blade adapter.</li> <li>8. Control bar in released position</li> <li>9. Control bar defective</li> </ol>	<ol style="list-style-type: none"> <li>1. Clean/replace air filter.</li> <li>2. Fill fuel tank.</li> <li>3. Drain tank and refill with fresh clean fuel.</li> <li>4. Drain fuel tank and carburetor and refill tank with fresh gasoline.</li> <li>5. Connect wire to plug.</li> <li>6. Replace spark plug.</li> <li>7. Tighten blade bolt or replace blade adapter.</li> <li>8. Depress control bar to handle.</li> <li>9. Replace control bar.</li> </ol>
Loss of power	<ol style="list-style-type: none"> <li>1. Rear of lawn mower housing/blade dragging in heavy grass.</li> <li>2. Cutting too much grass.</li> <li>3. Dirty air filter.</li> <li>4. Buildup of grass, leaves and trash under mower.</li> <li>5. Too much oil in engine.</li> <li>6. Walking speed too fast.</li> </ol>	<ol style="list-style-type: none"> <li>1. Set in "Higher Cut" position.</li> <li>2. Set in "Higher Cut" position.</li> <li>3. Clean/replace air filter.</li> <li>4. Clean underside of mower housing.</li> <li>5. Check oil level.</li> <li>6. Cut at slower walking speed.</li> </ol>
Poor cut - uneven	<ol style="list-style-type: none"> <li>1. Worn, bent or loose blade.</li> <li>2. Wheel heights uneven.</li> <li>3. Buildup of grass, leaves, and trash under mower.</li> </ol>	<ol style="list-style-type: none"> <li>1. Replace blade. Tighten blade bolt.</li> <li>2. Set all wheels at same height.</li> <li>3. Clean underside of mower housing.</li> </ol>
Excessive vibration	<ol style="list-style-type: none"> <li>1. Worn, bent or loose blade.</li> <li>2. Bent engine crankshaft.</li> </ol>	<ol style="list-style-type: none"> <li>1. Replace blade. Tighten blade bolt.</li> <li>2. Contact an authorized service center/department.</li> </ol>
Starter rope hard to pull	<ol style="list-style-type: none"> <li>1. Engine flywheel brake is on when control bar is released.</li> <li>2. Bent engine crankshaft</li> <li>3. Blade adapter broken.</li> <li>4. Blade dragging in grass.</li> </ol>	<ol style="list-style-type: none"> <li>1. Depress control bar to upper handle before pulling starter rope.</li> <li>2. Contact an authorized service center/department.</li> <li>3. Replace blade adapter.</li> <li>4. Move lawn mower to cut grass or to hard surface to start engine.</li> </ol>
Loss of drive (Self-Propelled Mowing)	<ol style="list-style-type: none"> <li>1. Drive wheels not turning with drive control engaged.</li> <li>2. Belt not driving.</li> </ol>	<ol style="list-style-type: none"> <li>1. Adjust or replace drive control cable, if broken.</li> <li>2. Put belt on pulleys or replace belts if broken.</li> </ol>
Grass catcher not filling (if so equipped)	<ol style="list-style-type: none"> <li>1. Cutting height too low.</li> <li>2. Lift on blade worn off.</li> <li>3. Catcher not venting air.</li> </ol>	<ol style="list-style-type: none"> <li>1. Raise cutting height.</li> <li>2. Replace blade.</li> <li>3. Clean grass catcher.</li> </ol>
Hard to push	<ol style="list-style-type: none"> <li>1. Grass is too high or wheel height is too low.</li> <li>2. Rear of lawn mower housing/blade dragging in grass.</li> <li>3. Grass catcher too full.</li> <li>4. Handle height position not right for you.</li> </ol>	<ol style="list-style-type: none"> <li>1. Raise cutting height.</li> <li>2. Raise rear of lawn mower housing one (1) setting higher.</li> <li>3. Empty grass catcher.</li> <li>4. Adjust handle height to suit.</li> </ol>

# STORAGE

Immediately prepare your lawn mower for storage at the end of the season or if the unit will not be used for 30 days or more.

## LAWN MOWER

When lawn mower is to be stored for a period of time, clean it thoroughly, remove all dirt, grease, leaves, etc. Store in a clean, dry area.

- Clean entire lawn mower (See "CLEANING" in the Customer Responsibilities section of this manual).
- Lubricate as shown in the Customer Responsibilities section of this manual.
- Be sure that all nuts, bolts, screws, and pins are securely fastened. Inspect moving parts for damage, breakage and wear. Replace if necessary.
- Touch up all rusted or chipped paint surfaces; sand lightly before painting.

## HANDLE (See Fig. 17)

- You can fold your lawn mower handle for storage.
- Squeeze the bottom ends of the lower handle toward each other until the lower handle clears the handle bracket, then swing handles forward over mower.
- Loosen upper handle mounting bolts enough to allow upper handle to be folded back.

**IMPORTANT:** WHEN FOLDING THE HANDLE FOR STORAGE OR TRANSPORTATION, BE SURE TO FOLD THE HANDLE AS SHOWN OR YOU MAY DAMAGE THE CONTROL CABLES.

- When setting up your handle from the storage position, the lower handle will automatically lock into the mowing position.

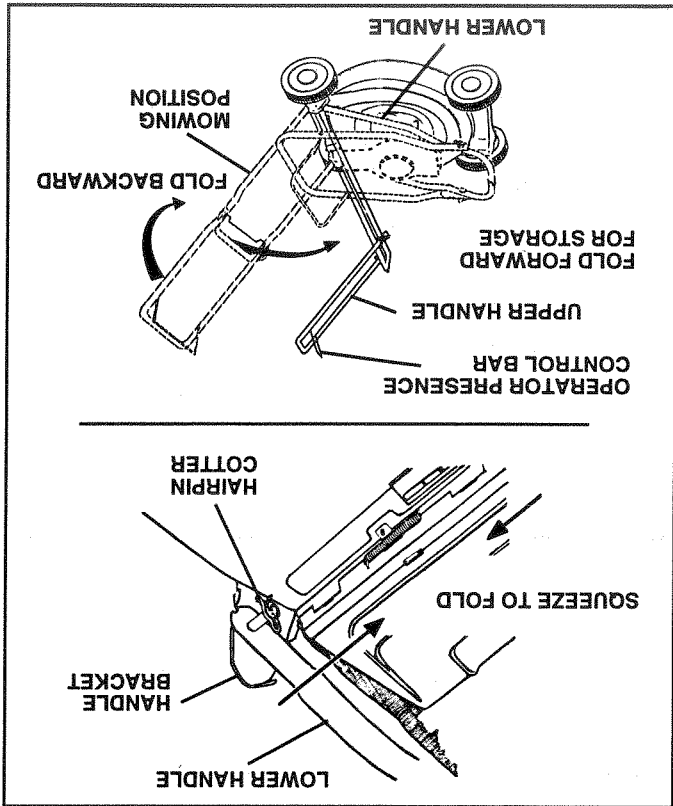


FIG. 17

## ENGINE

### FUEL SYSTEM

**IMPORTANT:** IT IS IMPORTANT TO PREVENT GUM DEPOSITS FROM FORMING IN ESSENTIAL FUEL SYSTEM PARTS SUCH AS CARBURETOR, FUEL FILTER, FUEL HOSE, OR TANK DURING STORAGE. ALSO, EXPERIENCE INDICATES THAT ALCOHOL BLENDED FUELS (CALLED GASOHOL OR USING ETHANOL OR METHANOL) CAN ATTRACT MOISTURE WHICH LEADS TO SEPARATION AND FORMATION OF ACIDS DURING STORAGE. ACIDIC GAS CAN DAMAGE THE FUEL SYSTEM OF AN ENGINE WHILE IN STORAGE.

- Drain the fuel tank.
- Start the engine and let it run until the fuel lines and carburetor are empty.
- Never use engine or carburetor cleaner products in the fuel tank or permanent damage may occur.
- Use fresh fuel next season.

### ENGINE OIL

**NOTE:** Fuel stabilizer is an acceptable alternative in minimizing the formation of fuel gum deposits during storage. Add stabilizer to gasoline in fuel tank or storage container. Always follow the mix ratio found on stabilizer container. Run engine at least 10 minutes after adding stabilizer to allow the stabilizer to reach the carburetor. Do not drain the gas tank and carburetor if using fuel stabilizer.

### CYLINDER

- Remove spark plug.
- Pour one ounce (29 ml) of oil through spark plug hole into cylinder.
- Pull starter handle slowly a few times to distribute oil.
- Replace with new spark plug.

### OTHER

- Do not store gasoline from one season to another.
- Replace your gasoline can if your can starts to rust. Rust and/or dirt in your gasoline will cause problems.
- If possible, store your unit indoors and cover it to give protection from dust and dirt.
- Cover your unit with a suitable protective cover that does not retain moisture. Do not use plastic. Plastic cannot breathe which allows condensation to form and will cause your unit to rust.

**IMPORTANT:** NEVER COVER MOWER WHILE ENGINE AND EXHAUST ARE STILL WARM.



**CAUTION:** Never store the lawn mower with gasoline in the tank inside a building where fumes may reach an open flame or spark. Allow the engine to cool before storing in any enclosure.

# SERVICE AND ADJUSTMENTS

## TO ADJUST HANDLE (See Figs. 14 Thru 16)

Your lawn mower handle can be raised or lowered for your mowing comfort. Four (4) positions are available: high, medium high, medium low and low. Handles are shipped mounted in the medium low position.

To change from medium low to medium high position, the upper and lower handle sections will have to be turned over (See Fig. 14B).

Remove the controls and operator presence control bar from the upper handle.

Remove the starter rope guide from the lower handle.

Remove hairpin cotters.

Disconnect the lower handle from the handle brackets (See Fig. 16).

Turn the handle over and reassemble the hairpin cotters that have been removed.

Reassemble the starter rope guide.

Reassemble the controls and the operator presence control bar to the upper handle.

CAUTION: The operator presence control bar must pivot freely to permit blade brake engagement when control bar is released. Do not overtighten the fasteners holding the controls to the upper handle.

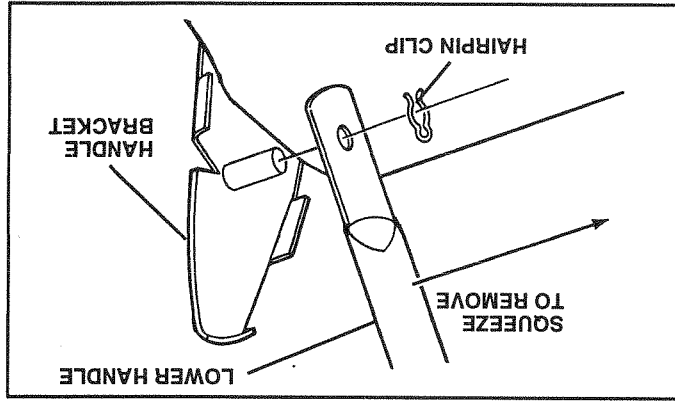
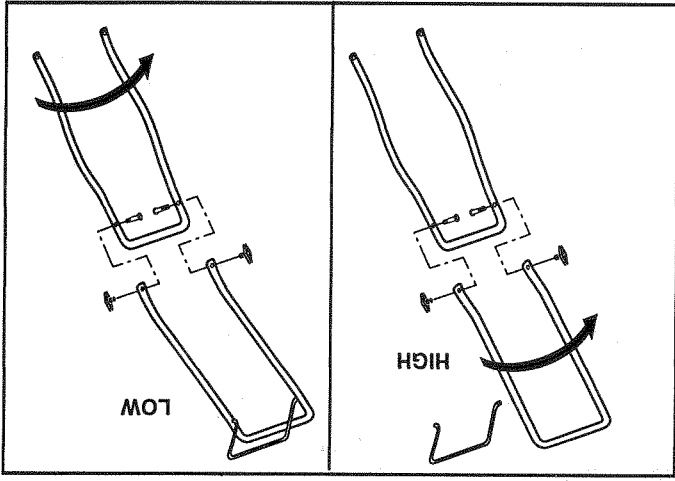
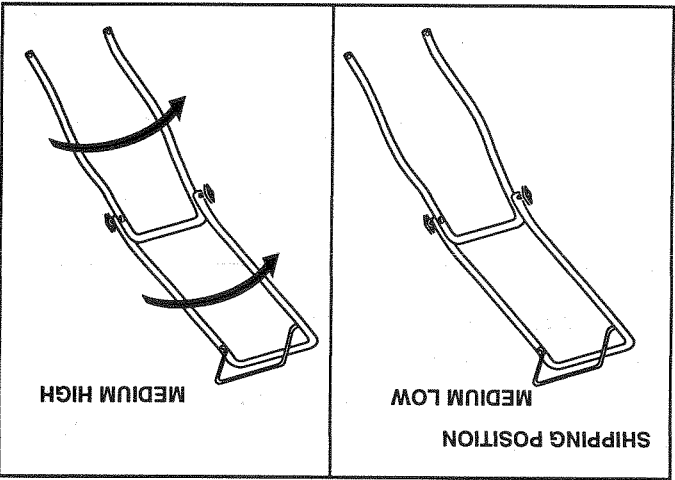
To change from medium low to high position only the upper handle section will have to be turned over (See Fig. 15A).  
To change from medium low to low position, only the lower handle section will have to be turned over (See Fig. 15B).

## ENGINE ENGINE SPEED

Your engine speed has been factory set. Do not attempt to increase engine speed or it may result in personal injury. If you believe that the engine is running too fast or too slow, take your lawn mower to an authorized service center for repair and adjustment.

## CARBURETOR

Your carburetor has a non-adjustable fixed main jet for mixture control. If your engine does not operate properly due to suspected carburetor problems, take your lawn mower to an authorized service center for repair and/or adjustment.



# SERVICE AND ADJUSTMENTS

## CAUTION: BEFORE PERFORMING ANY SERVICE OR ADJUSTMENTS:

- Release control bar.
- Make sure the blade and all moving parts have completely stopped.
- Disconnect spark plug wire from spark plug and place where it cannot come in contact with plug.



## LAWN MOWER

### TO ADJUST CUTTING HEIGHT

See "TO ADJUST CUTTING HEIGHT" in the Operation section of this manual.

### REAR DEFLECTOR

The rear deflector, attached between the rear wheels of your lawn mower, is provided to minimize the possibility that objects will be thrown out the rear of the lawn mower into the operator's mowing position. If the rear deflector becomes damaged, it should be replaced.

### TO REMOVE/REPLACE DRIVE BELT

(See Fig. 13)

- Remove drive cover. Remove belt by pushing down on gear case pulley and roll belt off.
- Turn lawn mower on its side with air filter and carburetor up.
- Remove blade.
- Remove debris shield.
- Remove belt from engine pulley on crankshaft.
- Install new belt by reversing above steps.
- Always use factory approved belt to assure fit and long life.

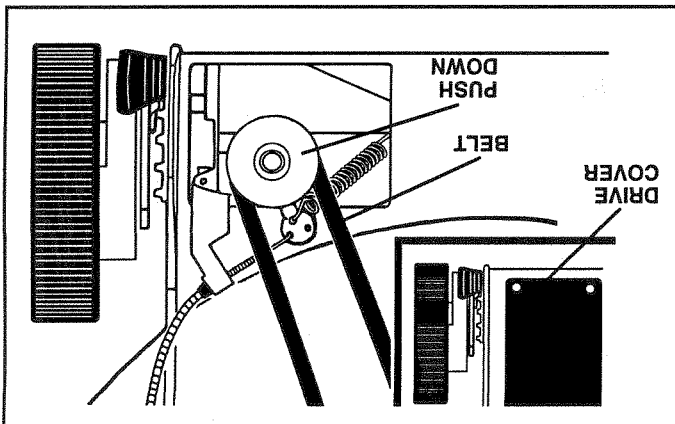
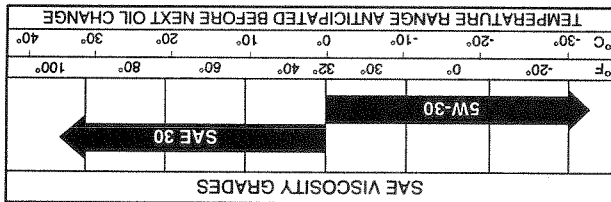


FIG. 13

# CUSTOMER RESPONSIBILITIES

## ENGINE LUBRICATION

Use only high quality detergent oil rated with API service classification SF, SG or SH. Select the oil's SAE viscosity grade according to your expected operating temperature.



**NOTE:** Although multi-viscosity oils (5W30, 10W30 etc.) will result in increased oil consumption when used above 32°F. Check your engine oil level more frequently to avoid possible engine damage from running low on oil. Change the oil after every 25 hours of operation or each season. You may need to change the oil more often under dusty, dirty conditions.

Check the crankcase oil level before starting the engine and after each five (5) hours of continuous use. Tighten oil plug securely each time you check the oil level.

**TO CHANGE ENGINE OIL (See Fig. 11)**

**NOTE:** Before tipping lawn mower to drain oil, drain fuel tank by running engine until fuel tank is empty.

- Disconnect spark plug wire from spark plug and place wire where it cannot come in contact with spark plug.
- Remove engine oil cap; lay aside on a clean surface.
- Tip lawn mower on its side as shown and drain oil into a suitable container. Rock lawn mower back and forth to remove any oil trapped inside of engine.
- Wipe off any spilled oil on lawn mower and on side of engine.
- Fill engine with oil. Fill only to the "FULL" line on the dipstick. **DO NOT OVER FILL.**
- Replace engine oil cap.
- Reconnect spark plug wire to spark plug.

## AIR FILTER

Your engine will not run properly and may be damaged by using a dirty air filter. Replace the air filter every year, more often if you mow in very dusty, dirty conditions. Do not wash air filter.

**TO CHANGE AIR FILTER (See Fig. 12)**

- Loosen cover knob.
- Swing cover down and remove from hinge.
- Pull paper filter out of air cleaner body.
- Clean air cleaner cover and body.
- Install a new paper filter.
- Reinstall cover to air cleaner body. Be sure hinge is assembled properly.
- Swing cover up and tighten cover knob. (Do not overtighten).

**CAUTION:** Petroleum solvents, such as kerosene, are not to be used to clean cartridge. They may cause deterioration of the cartridge. Do not oil cartridge. Do not use pressurized air to clean or dry cartridge.



## MUFFLER

Inspect and replace corroded muffler as it could create a fire hazard and/or damage.

## SPARK PLUG

Change your spark plug each year to make your engine start easier and run better. Set spark plug gap at .030 inch.

## CLEANING

**IMPORTANT:** FOR BEST PERFORMANCE, KEEP MOWER HOUSING FREE OF BUILT-UP GRASS AND TRASH. CLEAN THE UNDERSIDE OF YOUR MOWER AFTER EACH USE.

**CAUTION:** Disconnect spark plug wire from spark plug and place wire where it cannot come in contact with the spark plug.



## CLEAN UNDER DRIVE COVER

Clean under drive cover at least twice a season. Scrape underside of cover with putty knife or similar tool to remove any build-up of trash or grass on underside of drive cover.

- Turn lawn mower on its side. Make sure air filter and carburetor are up. Clean the underside of your lawn mower by scraping to remove build-up of grass and trash.
- Clean engine often to keep trash from accumulating. A clogged engine runs hotter and shortens engine life.
- Keep finished surfaces and wheels free of all gasoline, oil, etc.
- We **DO NOT** recommend using a garden hose to clean lawn mower unless the electrical system, muffler, air filter and carburetor are covered to keep water out. Water in engine can result in shortened engine life.

# CUSTOMER RESPONSIBILITIES

## LAWN MOWER

Always observe safety rules when performing any maintenance.

### TIRES

- Keep tires free of gasoline, oil, or insect control chemicals which can harm rubber.
- Avoid stumps, stones, deep ruts, sharp objects and other hazards that may cause tire damage.

### BLADE CARE

For best results, mower blade must be kept sharp. Replace bent or damaged blades.

### TO REMOVE BLADE (See Fig. 10)

- Disconnect spark plug wire from spark plug and place wire where it cannot come in contact with spark plug.
- Turn lawn mower on its side. Make sure air filter and carburetor are up.
- Use a wood block between blade and mower housing to prevent blade from turning when removing blade bolt.
- Protect your hands with gloves and/or wrap blade with heavy cloth.
- Remove blade bolt by turning counter-clockwise. Use a 9/16" box or open-end wrench.
- Remove blade and attaching hardware (bolt, lock washer and hardened washer).

**NOTE:** Remove the blade adapter and check the key inside hub of blade adapter. The key must be in good condition to work properly. Replace adapter if damaged.

### TO REPLACE BLADE (See Fig. 11)

- Position the blade adapter on the engine crankshaft. Be sure key in adapter and crankshaft keyway are aligned.
- Position blade on the blade adapter aligning the two (2) holes in the blade with the raised lugs on the adapter. Be sure the trailing edge of blade (opposite sharp edge) is up toward the engine.
- Install the blade bolt with the lock washer and hardened washer into blade adapter and crankshaft.
- Use block of wood between blade and lawn mower housing and tighten the blade bolt, turning clockwise.
- The recommended tightening torque is 35-40 ft. lbs.

### IMPORTANT: BLADE BOLT IS GRADE 8 HEAT TREATED.

**NOTE:** We do not recommend sharpening blade - but if you do, be sure the blade is balanced.

### TO SHARPEN BLADE

Care should be taken to keep the blade balanced. An unbalanced blade will cause eventual damage to lawn mower or engine.

- The blade can be sharpened with a file or on a grinding wheel. Do not attempt to sharpen while on the mower.
- To check blade balance, drive a nail into a beam or wall. Place center hole of blade over the head of the nail. If blade is balanced, it should remain in a horizontal position. If either end of the blade moves downward, sharpen the heavy end until the blade is balanced.

## GRASS CATCHER

- The grass catcher may be hosed with water, but must be dry when used.
- Check your grass catcher often for damage or deterioration. Through normal use it will wear. If catcher needs replacing, replace only with a manufacturer approved replacement catcher. Give the lawn mower model number when ordering.

## DRIVE WHEELS

Check front drive wheels each time before you mow to be sure they move freely. The wheels not turning freely means trash, grass cuttings, etc. are in the drive wheel area and must be cleaned to free drive wheels. If necessary to clean the drive wheels, check both front wheels.

- Remove hubcaps, hairpin cotter and washers.
- Remove wheels from wheel adjusters.
- Remove any trash or grass cuttings from inside the dust cover, pinion and/or drive wheel gear teeth.
- Put wheels back in place.
- If after cleaning, the drive wheels do not turn freely, contact your nearest authorized service center.

## GEAR CASE

To keep your drive system working properly, the gear case and area around the drive should be kept clean and free of trash build-up. Clean under the drive cover twice a season. The gear case is filled with lubricant to the proper level at the factory. The only time the lubricant needs attention is if service has been performed on the gear case. If lubricant is required, use only Texaco Starplex Premium 1 Grease, Part No. 750369. Do not substitute.



# CUSTOMER RESPONSIBILITIES

## MAINTENANCE SCHEDULE

FILL IN DATES  
AS YOU COMPLETE  
REGULAR SERVICE

BEFORE EACH USE  
AFTER EACH USE  
EVERY 10 HOURS  
OR EVERY 25 HOURS  
BEFORE STORAGE  
BEFORE EACH SEASON  
SERVICE DATES

E N G I N E	M O W E R	REGULAR SERVICE			
		BEFORE EACH USE	AFTER EACH USE	EVERY 10 HOURS	EVERY 25 HOURS
Check for Loose Fasteners	✓	✓	✓	✓	✓
Clean/Inspect Grass Catcher (if Equipped)	✓	✓	✓	✓	✓
Clean Lawn Mower	✓	✓	✓	✓	✓
Clean Under Drive Cover (Power-Propelled Mowers)	✓	✓	✓	✓	✓
Check drive belt/pulleys (Power-Propelled Mowers)	✓	✓	✓	✓	✓
Check/Sharpen/Replace Blade	✓	✓	✓	✓	✓
Lubrication Chart	✓	✓	✓	✓	✓
Clean Battery/Recharge (Electric Start Mowers)	✓	✓	✓	✓	✓
Check Engine Oil Level	✓	✓	✓	✓	✓
Change Engine Oil	✓	✓	✓	✓	✓
Clean Air Filter	✓	✓	✓	✓	✓
Inspect Muffler	✓	✓	✓	✓	✓
Clean or Replace Spark Plug	✓	✓	✓	✓	✓
Replace Air Filter Paper Cartridge	✓	✓	✓	✓	✓

- 1 - Change more often when operating under a heavy load or in high ambient temperatures.
- 2 - Service more often when operating in dirty or dusty conditions.
- 3 - Replace blades more often when mowing in sandy soil.
- 4 - Charge 48 hours at end of season.

## GENERAL RECOMMENDATIONS

The warranty on this lawn mower does not cover items that have been subjected to operator abuse or negligence. To receive full value from the warranty, operator must maintain mower as instructed in this manual. Some adjustments will need to be made periodically to properly maintain your unit.

All adjustments in the Service and Adjustments section of this manual should be checked at least once each season. Once a year, replace the spark plug, clean or replace air filter element and check blade for wear. A new spark plug and clean/new air filter element assures proper air-fuel mixture and helps your engine run better and last longer.

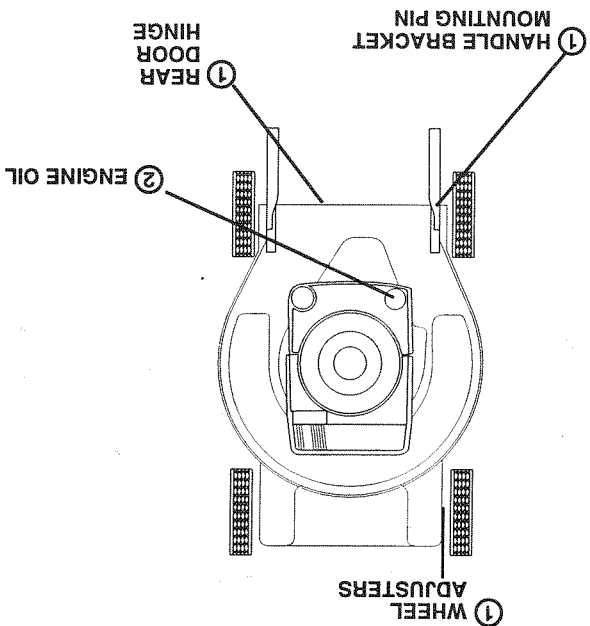
### BEFORE EACH USE

- Follow the maintenance schedule in this manual.
- Check engine oil level.
- Check for loose fasteners.

### LUBRICATION

Keep unit well lubricated (See "LUBRICATION CHART").

## LUBRICATION CHART



① SPRAY LUBRICANT

② REFER TO CUSTOMER RESPONSIBILITIES "ENGINE" SECTION.

**IMPORTANT:** DO NOT OIL OR GREASE PLASTIC WHEEL BEARINGS. VISCOUS LUBRICANTS WILL ATTRACT DUST AND DIRT THAT WILL SHORTEN THE LIFE OF THE SELF-LUBRICATING BEARINGS. IF YOU FEEL THEY MUST BE LUBRICATED, USE ONLY A DRY, POWDERED GRAPHITE TYPE LUBRICANT SPARINGLY.

# OPERATION

## TO START ENGINE

- To start a cold engine, push primer five (5) times before trying to start. Use a firm push. This step is not usually necessary when starting an engine which has already run for a few minutes.
  - Hold operator presence control bar down to the handle and pull starter handle quickly. Do not allow starter rope to snap back.
  - To stop engine, release operator presence control bar.
- NOTE:** In cooler weather it may be necessary to repeat priming steps. In warmer weather over priming may cause flooding and engine will not start. If you do flood engine wait a few minutes before attempting to start and do not repeat priming steps.

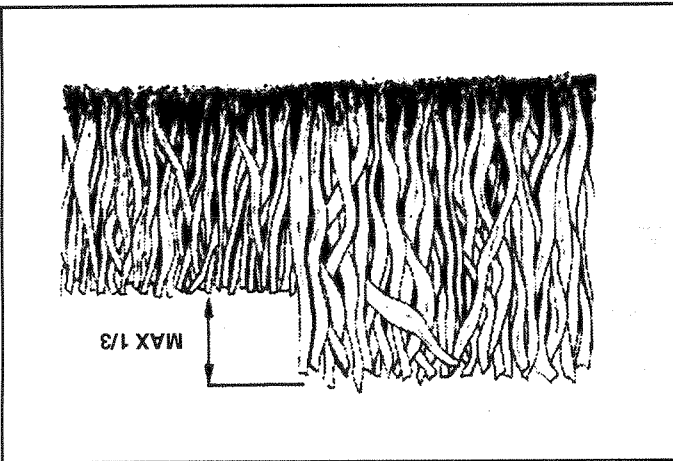
## MOWING TIPS

- Under certain conditions, such as very tall grass, it may be necessary to raise the height of cut to reduce pushing effort and to keep from overloading the engine and leaving clumps of grass clipping.
- For extremely heavy cutting, reduce the width of cut by overlapping previously cut path and mow slowly.
- When using a rear discharge lawn mower in moist, heavy grass, clumps of cut grass may not enter the grass catcher. Reduce ground speed (pushing speed) and/or run the lawn mower over the area a second time.
- If a trail of clippings is left on the right side of a rear discharge mower, mow in a clockwise direction with a small overlap to collect the clippings on the next pass.
- Pores in cloth grass catchers can become filled with dirt and dust with use and catchers will collect less grass. To prevent this, regularly hose catcher off with water and let dry before using.
- Keep top of engine around starter clear and clean of grass clippings and chaff. This will help engine air flow and extend engine life.

## MULCHING MOWING TIPS

- **IMPORTANT:** FOR BEST PERFORMANCE, KEEP MOWER HOUSING FREE OF BUILT-UP GRASS AND TRASH. CLEAN UNDERSIDE OF MOWER HOUSING AFTER EACH USE. SEE "CLEANING" IN CUSTOMER RESPONSIBILITIES SECTION OF THIS MANUAL.
- The special mulching blade will recut the grass clippings many times and reduce them in size so that as they fall onto the lawn they will disperse into the grass and not be noticed. Also, the mulched grass will biodegrade quickly to provide nutrients for the lawn. Always mulch with your highest engine (blade) speed as this will provide the best recutting action of the blades.
- Avoid cutting your lawn when it is wet. Wet grass tends to form clumps and interferes with the mulching action. The best time to mow your lawn is the early afternoon. At this time the grass has dried and the newly cut area will not be exposed to the direct sun.
- For best results, adjust the lawn mower cutting height so that the lawn mower cuts off only the top one-third of the grass blades (See Fig. 9). If the lawn is overgrown it will be necessary to raise the height of cut to reduce pushing effort and to keep from overloading the engine and leaving clumps of mulched grass. For extremely heavy mulching, reduce your width of cut, mow slowly and raise the rear of the lawn mower one wheel adjuster setting higher than the front.
- Certain types of grass and grass conditions may require that an area be mulched a second time to completely hide the clippings. When doing a second cut, mow across or perpendicular to the first cut path.
- Change your cutting pattern from week to week. Mow north to south one week then change to east to west the next week. This will help prevent matting and graining of the lawn.

FIG. 9



# OPERATION

## DRIVE CONTROL (See Fig. 7)

- Self-propelling is controlled by holding the operator presence control bar down to the handle and pushing the drive control lever forward until it clicks; then release the lever.
- Forward motion will stop when the operator presence control bar is released. To stop forward motion without stopping engine, release the operator presence control bar slightly until the drive control disengages. Hold operator presence control bar down to handle to continue mowing without self-propelling.
- To keep drive control engaged when turning corners, push down on handle and lift front wheels off ground while turning lawn mower.

## BEFORE STARTING ENGINE

### OIL (See Fig. 8)

- Your lawn mower is shipped without oil in the engine. Be sure mower is level and area around oil fill is clean.
- Remove engine oil cap w/dipstick and fill to the full line on the dipstick.
- Use 27 ozs. of oil. For type and grade of oil to use, see "ENGINE" in Customer Responsibilities section of this manual.
- Pour oil slowly. Do not over fill.
- Check oil level before each use. Add oil if needed. Fill to full line on dipstick.
- To read proper level, tighten engine oil cap each time.
- Reinstall engine oil cap and tighten.
- Change the oil after every 25 hours of operation or each season. You may need to change the oil more often under dusty, dirty conditions.

### GAS (See Fig. 8)

- Fill gasoline tank with fresh, clean, unleaded gasoline. DO NOT USE PREMIUM GASOLINE. BE CAREFUL NOT TO OVER FILL TANK.
- WARNING: Experience indicates that alcohol blended fuels (called gasohol or using ethanol or methanol) can attract moisture which leads to separation and formation of acids during storage. Acidic gas can damage the fuel system of an engine while in storage. To avoid engine problems, the fuel system should be emptied before storage of 30 days or longer. Drain the fuel tank, start the engine and let it run until fuel lines and carburetor are empty. Use fresh fuel next season. See Storage Instructions for additional information.

FIG. 7

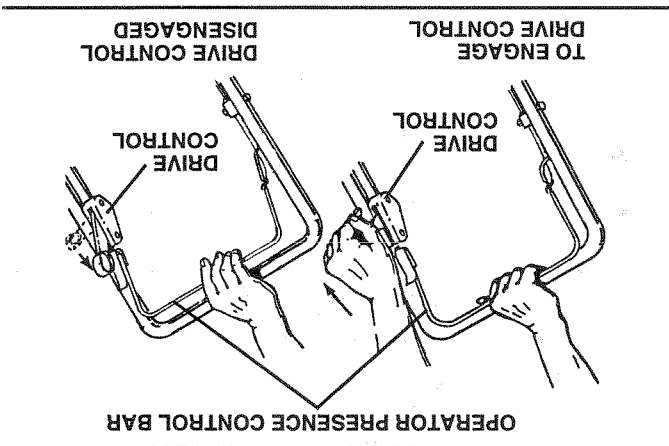
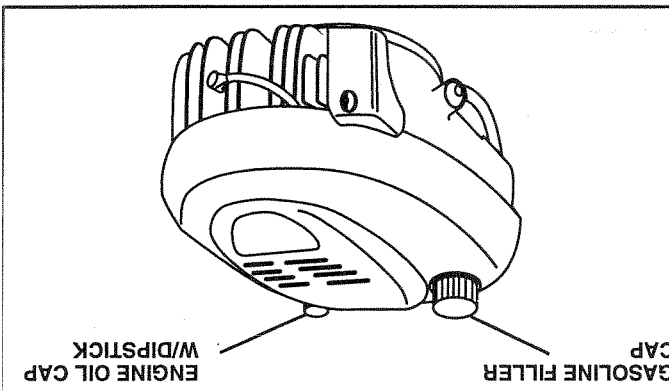


FIG. 8



# OPERATION

The operation of any lawn mower can result in foreign objects thrown into the eyes, which can result in severe eye damage. Always wear safety glasses or eye shields while operating your lawn mower or performing any adjustments or repairs. We recommend wide vision safety mask over the spectacles or standard safety glasses available at Sears Retail stores.



## HOW TO USE YOUR LAWN MOWER

**CAUTION:** Do not run your lawn mower without mulcher plate in place and door closed or approved clipping deflector or grass catcher in place. Never attempt to operate the lawn mower with the rear door removed or propped open.



## ENGINE SPEED

The engine speed was set at the factory for optimum performance. Speed is not adjustable.

## ENGINE ZONE CONTROL

**CAUTION:** Federal regulations require an engine control to be installed on this lawn mower in order to minimize the risk of blade contact injury. Do not under any circumstances attempt to defeat the function of the operator control. The blade turns when the engine is running.



- Your lawn mower is equipped with an operator presence control bar which requires the operator to be positioned behind the lawn mower handle to start and operate the lawn mower.

## TO ADJUST CUTTING HEIGHT (See Fig.4)

- Raise wheels for low cut and lower wheels for high cut.
- Adjust cutting height to suit your requirements. Medium position is best for most lawns.
- To change cutting height, squeeze adjuster lever toward wheel. Move wheel up or down to suit your requirements. Be sure all wheels are in the same setting.

**NOTE:** Adjuster is properly positioned when plate tab inserts into hole in lever. Also, 9-position adjusters (if so equipped) allow lever to be positioned between the plate tabs.

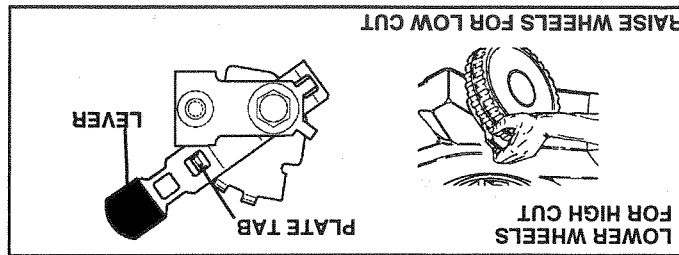


FIG. 4

## TO ATTACH GRASS CATCHER (See Fig. 6)

- Close the flip lid. Flip lid must be closed while operating lawn mower.
- Lift the rear door on the mower housing and place the grass catcher frame onto the formed tabs on the rear door hinge bracket.
- The grass catcher is secured to the lawn mower housing when the rear door is lowered onto the grass catcher frame.



**CAUTION:** Do not run your lawn mower without clipping deflector or approved grass catcher in place. Never attempt to operate the lawn mower with the rear door removed or propped open.

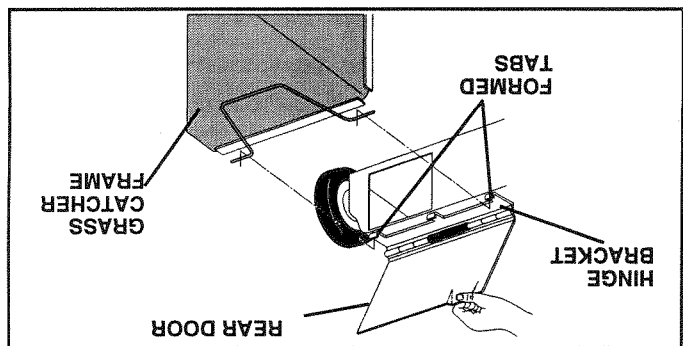


FIG. 6

## TO EMPTY GRASS CATCHER (See Fig.6)

- To remove grass catcher, release operator presence control bar to stop engine.
- Lift up rear door and remove the grass catcher by the handle.
- Do not drag the bag when emptying; it will cause unnecessary wear.

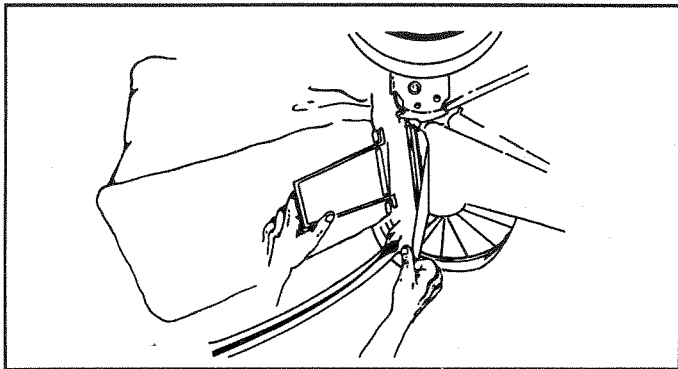


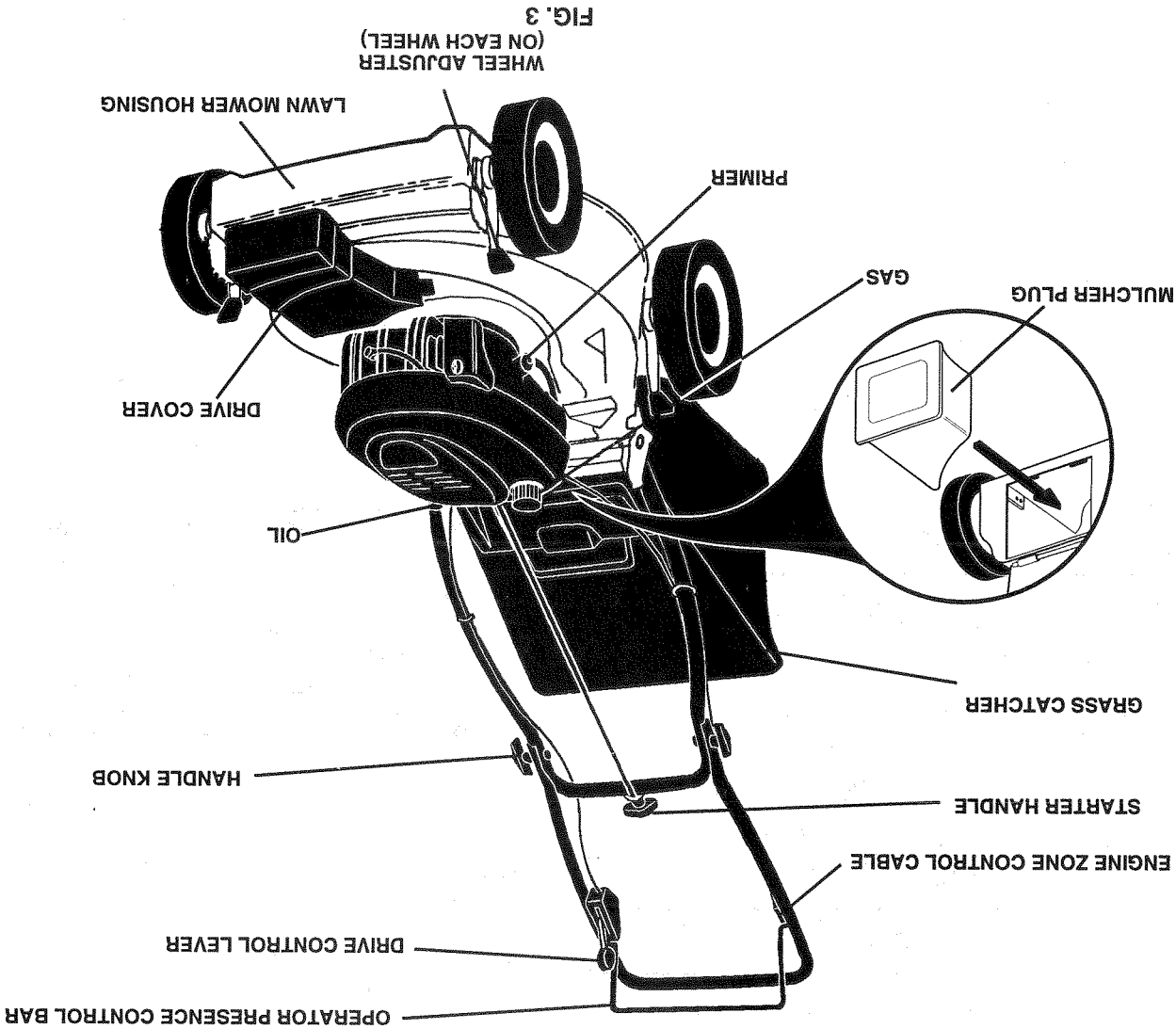
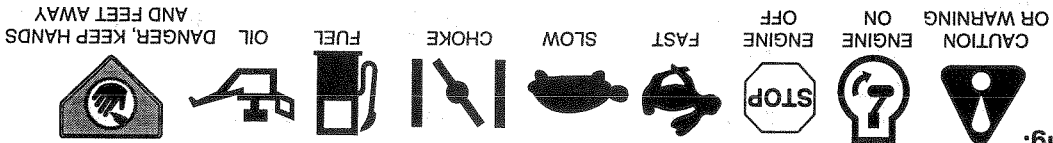
FIG. 6

# OPERATION

## KNOW YOUR LAWN MOWER

READ THIS OWNER'S MANUAL AND SAFETY RULES BEFORE OPERATING YOUR LAWN MOWER. Compare the illustrations with your lawn mower to familiarize yourself with the location of various controls and adjustments. Save this manual for future reference.

These symbols may appear on your lawn mower or in literature supplied with the product. Learn and understand their meaning.



## MEETS CPSC SAFETY REQUIREMENTS

Sears rotary walk-behind power lawn mowers conform to the safety standards of the American National Standards Institute and the U.S. Consumer Product Safety Commission. The blade turns when the engine is running.

**MULCHER PLUG** - located at the discharge opening, must be removed when converting to bagging or discharging operation.  
**STARTER HANDLE** - used for starting the engine.  
**DRIVE CONTROL LEVER** - used to engage power-propelled forward motion of lawn mower.

**OPERATOR PRESENCE CONTROL BAR** - must be held down to the handle to start the engine. Release to stop the engine.  
**PRIMER** - pumps additional fuel from the carburetor to the cylinder for use when starting a cold engine.

# ASSEMBLY

Read these instructions and this manual in its entirety before you attempt to assemble or operate your new lawn mower. Your new lawn mower has been assembled at the factory with the exception of those parts left unassembled for shipping purposes. To ensure safe and proper operation of your lawn mower, all parts and hardware you assemble must be tightened securely. Use the correct tools as necessary to ensure proper tightness. All parts such as nuts, washers, bolts, etc., necessary to complete the assembly have been placed in the parts bag.

## TO REMOVE LAWN MOWER FROM CARTON

- Remove loose parts included with mower.
- Cut down two end corners of carton and lay end panel down flat.
- Remove all packing materials except padding between upper and lower handle and padding holding operator presence control bar to upper handle.
- Roll lawn mower out of carton and check carton thoroughly for additional loose parts.

## HOW TO SET UP YOUR LAWN MOWER TO UNFOLD HANDLE (See Fig. 1)

**IMPORTANT:** UNFOLD HANDLE CAREFULLY SO AS NOT TO PINCH OR DAMAGE CONTROL CABLES.

- Raise handles until lower handle section locks into place in mowing position.
- Remove protective padding, raise upper handle section into place on lower handle and tighten both handle knobs.
- Remove handle padding holding operator presence control bar to upper handle.
- Your lawn mower handle can be adjusted for your mowing comfort. See "TO ADJUST HANDLE" in the Service and Adjustment section of this manual.

## TO INSTALL ATTACHMENTS (See Fig. 2)

- Your lawn mower was shipped ready to be used as a mulcher. To convert to bagging or discharging:
- Open rear door and remove mulcher plug. Store mulcher plug in a safe place.
  - You can now install catcher or optional clipping deflector.
  - To return to mulching operation, install mulcher plug into discharge opening of mower.

**CAUTION:** Do not run your lawn mower without mulcher plug in place or approved clipping deflector or grass catcher in place. Never attempt to operate the lawn mower with the rear door removed or propped open.

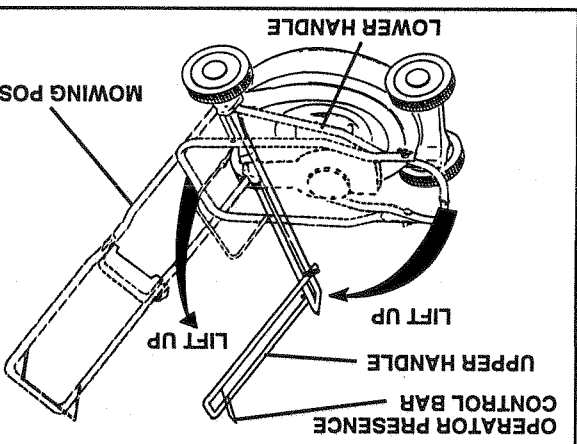


FIG. 1

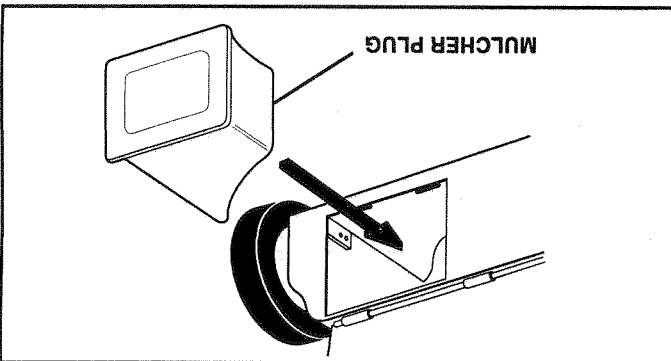


FIG. 2

**SEARS CANADA, INC., TORONTO, ONTARIO M5B 2B8**

Warranty service is available by returning the Craftsman Power Mower to the nearest Sears Service Centre/Department in Canada. This warranty applies only while this product is in use in Canada. This warranty is in addition to any statutory warranty and does not exclude or limit legal rights you may have but shall run concurrently with applicable provincial legislation. Furthermore, some provinces do NOT allow limitation on how long an implied warranty will last so the above limitations may not apply to you.

1. Pre-delivery set-up.
2. Expendable items which become worn during normal use, such as rotary mower blades, blade adapters, belts, filters and spark plugs.
3. Repairs necessary because of operator abuse or negligence, including bent crankshafts and the failure to operate and maintain the equipment according to the instructions contained in the Owner's Manual.

This Warranty does NOT cover:

Warranty on Power Mower (Gas) will be ninety (90) days from date of purchase if used for commercial or rental purposes.

**COMMERCIAL OR RENTAL USE:**

For Two (2) years from date of purchase Sears Canada, Inc. will repair or replace at Sears option free of charge parts which are defective as a result of material or workmanship.

**LIMITED TWO (2) YEAR WARRANTY ON CRAFTSMAN POWER MOWER**

**TABLE OF CONTENTS**

SAFETY RULES .....	2
PRODUCT SPECIFICATIONS .....	3
CUSTOMER RESPONSIBILITIES .....	3, 11-13
WARRANTY .....	4
ASSEMBLY .....	5
REPAIR PARTS - ENGINE .....	23-24
REPAIR PARTS - LAWN MOWER .....	18-21
TROUBLESHOOTING .....	17
STORAGE .....	16
SERVICE AND ADJUSTMENTS .....	17
PARTS ORDERING/SERVICE .....	26
MAINTENANCE SCHEDULE .....	11
OPERATION .....	7

**CONGRATULATIONS** on your purchase of a Sears Lawn Mower. It has been designed, engineered and manufactured to give you the best possible dependability and performance.

Should you experience any problem you cannot easily remedy, please contact your nearest Sears Authorized Service Center/Department. We have competent, well-trained technicians and the proper tools to service or repair this lawn mower.

Please read and retain this manual. The instructions will enable you to assemble and maintain your lawn mower properly. Always observe the "SAFETY RULES".

MODEL NUMBER	944.368300
SERIAL NUMBER	
DATE OF PURCHASE	
<p>THE MODEL AND SERIAL NUMBERS WILL BE FOUND ON A DECAL ATTACHED TO THE REAR OF THE LAWN MOWER HOUSING</p> <p>YOU SHOULD RECORD BOTH SERIAL NUMBER AND DATE OF PURCHASE AND KEEP IN A SAFE PLACE FOR FUTURE REFERENCE.</p>	

**CUSTOMER RESPONSIBILITIES**

- Read and observe the safety rules.
- Follow a regular schedule in maintaining, caring for and using your lawn mower.
- Follow the instructions under "Customer Responsibilities" and "Storage" sections of this owner's manual.

**MAINTENANCE AGREEMENT**

A Sears Maintenance Agreement is available on this product. Contact your nearest Sears store for details.

**PRODUCT SPECIFICATIONS**

HORSEPOWER:	6.75
DISPLACEMENT:	12.56 CU. IN.
GASOLINE CAPACITY AND TYPE:	1.5 QUARTS UNLEADED REGULAR ONLY
OIL TYPE (API-SF/SG/SH):	SAE 30 (ABOVE 32°F) SAE 5W-30 (BELOW 32°F)
OIL CAPACITY:	27 OZS.
SPARK PLUG:	CHAMPION RJ19LM (GAP: .030")
VALVE CLEARANCE:	INTAKE: .004" - .008" EXHAUST: .004" - .008"
SOLID STATE IGNITION	AIR GAP: .0125 IN.
BLADE BOLT TORQUE:	35-40 FT. LBS.





# SAFETY RULES

## Safe Operation Practices for Walk-Behind Mowers

**IMPORTANT:** THIS CUTTING MACHINE IS CAPABLE OF AMPUTATING HANDS AND FEET AND THROWING OBJECTS. FAILURE TO OBSERVE THE FOLLOWING SAFETY INSTRUCTIONS COULD RESULT IN SERIOUS INJURY OR DEATH. SAFETY STANDARDS REQUIRE OPERATOR PRESENCE CONTROLS TO MINIMIZE THE RISK OF INJURY. YOUR UNIT IS EQUIPPED WITH SUCH CONTROLS. DO NOT ATTEMPT TO DEFEAT THE FUNCTION OF THE OPERATOR PRESENCE CONTROLS UNDER ANY CIRCUMSTANCES.

### TRAINING:

- Read this operator's manual carefully. Become familiar with the controls and know how to operate your mower properly. Learn how to quickly stop mower.
- Do not allow children to use your mower. Never allow adults to use mower without proper instructions.
- Keep the area of operation clear of all persons, especially small children and pets.
- Use mower only as the manufacturer intended and as described in this manual.
- Do not operate mower if it has been dropped or damaged in any manner. Always have damage repaired before using your mower.
- Do not use accessory attachments that are not recommended by the manufacturer. Use of such attachments may be hazardous.
- The blade turns when the engine is running.

### PREPARATION:

- Always thoroughly check the area to be mowed and clear it of all stones, sticks, wires, bones, and other foreign objects. These objects will be thrown by the blade and can cause severe injury.
- Always wear safety glasses or eye shields when starting and while using your mower.
- Dress properly. Do not operate mower when barefoot or wearing open sandals. Wear only solid shoes with good traction when mowing.
- Check fuel tank before starting engine. Do not fill gas tank indoors, when the engine is running or when the engine is hot. Allow the engine to cool for several minutes before filling the gas tank. Clean off any spilled gasoline before starting the engine.
- Always make wheel height adjustments before starting your mower. Never attempt to do this while the engine is running. Mow only in daylight or good artificial light.

### OPERATION:

- Keep your eyes and mind on your mower and the area being cut. Do not let other interests distract you.
- Do not mow wet or slippery grass. Never run while operating your mower. Always be sure of your footing - keep a firm hold on the handles and walk.
- Do not put hands or feet near or under rotating parts. Keep clear of the discharge opening at all times.
- Always stop the engine whenever you leave or are not using your mower, or before crossing driveways, walks, roads, and any gravel-covered areas.
- Never direct discharge of material toward bystanders nor allow anyone near the mower while you are operating it.
- Before cleaning, inspecting, or repairing your mower, stop the engine and make absolutely sure the blade and all moving parts have stopped. Then disconnect the spark plug wire and keep it away from the spark plug to prevent accidental starting.



**Look for this symbol to point out important safety precautions. It means CAUTION!!! BECOME ALERT!!! YOUR SAFETY IS INVOLVED.**



**CAUTION: Always disconnect spark plug wire and place wire where it cannot contact spark plug in order to prevent accidental starting when setting up, transporting, adjusting or making repairs.**

- Check the blade and the engine mounting bolts often to ensure they are tightened properly.
- Check all bolts, nuts and screws at frequent intervals proper tightness to be sure mower is in safe working condition.
- Keep all safety devices in place and working.
- To reduce fire hazard, keep the engine free of grass, leaf or excessive grease and oil.
- Check grass catcher often for deterioration and wear replace worn bags. Use only replacement bags that recommended by and comply with specifications of manufacturer of your mower.
- Always keep a sharp blade on your mower.
- Allow engine to cool before storing in any enclosure.
- Never store mower with fuel in the tank inside a building where fumes may reach an open flame or an ignition source such as a hot water heater, space heater, clothes dryer,

- Do not continue to run your mower if you hit a foreign object before restarting and operating your mower.
- Do not change the governor settings or overspeed engine. Engine damage or personal injury may result. Do not operate your mower if it vibrates abnormally. Excessive vibration is an indication of damage; stop the engine safely check for the cause of vibration and repair as required.
- Do not run the engine indoors. Exhaust fumes are dangerous.
- Never cut grass by pulling the mower towards you. Always cut across the face of slopes, never up and down or you will lose your footing. Do not mow excessively steep slopes. Caution when operating the mower on uneven terrain or on changing directions - maintain good footing.
- Never operate your mower without proper guards, plastic grass catcher or other safety devices in place.

### MAINTENANCE AND STORAGE:

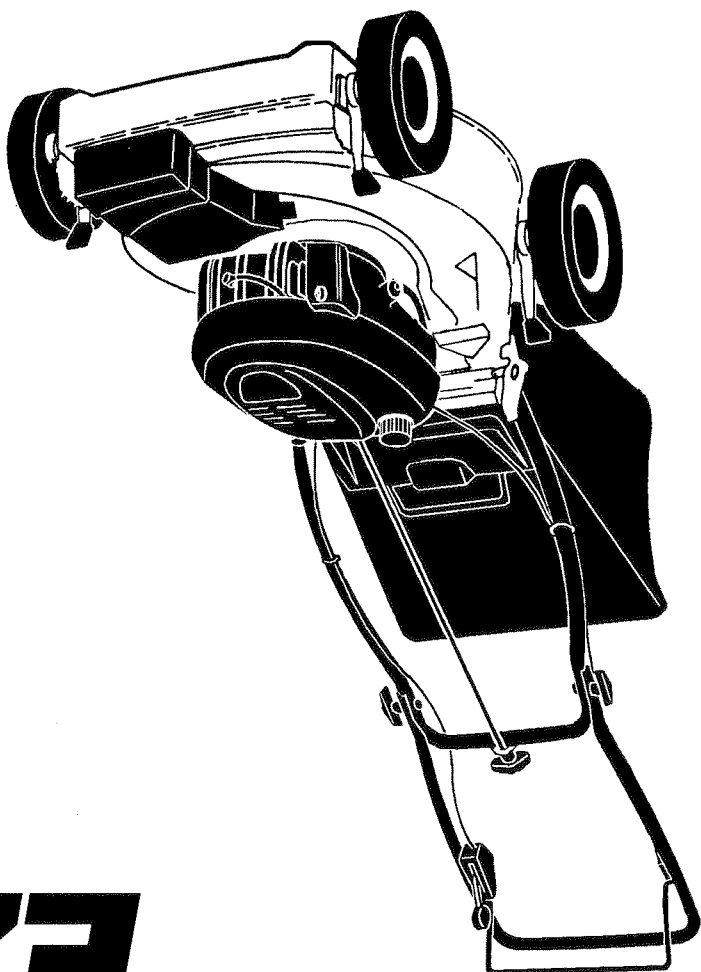
Sears, Canada, Inc., Toronto, Ontario M5B 2B8

163549 REV.6 04.13.98 VB

Printed in U.S.A.

Caution:  
Read and Follow  
all Safety Rules  
and Instructions  
Before Operating  
This Equipment

- Assembly
- Operation
- Customer Responsibilities
- Service
- Adjustments
- Repair Parts



**EZ<sub>3</sub>**

OWNER'S MANUAL

MODEL NUMBER 944.368300

**CRAFTSMAN**®

**SEARS**