

Get it fixed, at your home or ours!

Just Call:

1-800-4-MY-HOME®

(1-800-469-4663)

24 hours a day, 7 days a week

For the repair of major brand appliances **in your own home...**
no matter who made it, no matter who sold it!

For your nearest **Sears Parts and Service** location,
to bring in products like vacuums, lawn equipment and electronics.

For **Sears Parts & Service**, to order the replacement parts,
accessories and owner's manuals that you need to do-it-yourself.

www.sears.ca

To purchase or inquire about a Sears Maintenance Agreement, call:

1-800-361-6665

9 a.m. – 11 p.m. Mon. – Fri., EST, 9 a.m. – 4 p.m. Sat.

Pour service en français:

1-800-LE-FOYER^{MC}

(1-800-533-6937)

www.sears.ca



® / TM Trademarks of Sears, Roebuck and Co. used under license by Sears Canada

^{MD} Marque déposée / ^{MC} Marque de commerce de Sears, Roebuck and Co. utilisée en vertu d'une licence de Sears Canada

Owner's Manual



ROTARY LAWN MOWER

700 Series Briggs & Stratton Engine

Power-Propelled, Electric Start,

22" Multi-Cut

Model No.

944.369630



CAUTION:

Read and follow all
Safety Rules and Instructions
before operating this equipment

Sears Canada, Inc., Toronto, Ontario M5B 2B8

TABLE OF CONTENTS

| | | | |
|------------------------------|------|-------------------------------|------------|
| Safety Rules | 2-3 | Maintenance | 13-16 |
| Warranty | 4-5 | Service and Adjustments | 17-18 |
| Product Specifications | 5 | Storage | 18-19 |
| Assembly/Pre-Operation | 6-7 | Troubleshooting | 20-21 |
| Operation | 8-12 | Repair Parts | 22-31 |
| Maintenance Schedule | 13 | Sears Service | Back Cover |

SAFETY RULES

IMPORTANT: This cutting machine is capable of amputating hands and feet and throwing objects. Failure to observe the following safety instructions could result in serious injury or death.

▲ Look for this symbol to point out important safety precautions. It means CAUTION!!!! BECOME ALERT!!!

YOUR SAFETY IS INVOLVED.

▲ WARNING: In order to prevent accidental starting when setting up, transporting, adjusting or making repairs, always disconnect spark plug wire and place wire where it cannot come in contact with plug.

▲ CAUTION: Muffler and other engine parts become extremely hot during operation and remain hot after engine has stopped. To avoid severe burns on contact, stay away from these areas.



I. GENERAL OPERATION

- Read, understand, and follow all instructions on the machine and in the manual(s) before starting. Be thoroughly familiar with the controls and the proper use of the machine before starting.
- Do not put hands or feet near or under rotating parts. Keep clear of the discharge opening at all times.
- Only allow responsible individuals, who are familiar with the instructions, to operate the machine.
- Clear the area of objects such as rocks, toys, wire, bones, sticks, etc., which could be picked up and thrown by blade.
- Be sure the area is clear of other people before mowing. Stop machine if anyone enters the area.
- Do not operate the mower when barefoot or wearing open sandals. Always wear substantial foot wear.

- Do not pull mower backwards unless absolutely necessary. Always look down and behind before and while moving backwards.
- Never direct discharged material toward anyone. Avoid discharging material against a wall or obstruction. Material may ricochet back toward the operator. Stop the blade when crossing gravel surfaces.
- Do not operate the mower without proper guards, plates, grass catcher or other safety protective devices in place.
- See manufacturer's instructions for proper operation and installation of accessories. Only use accessories approved by the manufacturer.
- Stop the blade(s) when crossing gravel drives, walks, or roads.
- Stop the engine (motor) whenever you leave the equipment, before cleaning the mower or unclogging the chute.
- Shut the engine (motor) off and wait until the blade comes to complete stop before removing grass catcher.
- Mow only in daylight or good artificial light.
- Do not operate the machine while under the influence of alcohol or drugs.
- Never operate machine in wet grass. Always be sure of your footing: keep a firm hold on the handle; walk, never run.
- Disengage the self-propelled mechanism or drive clutch on mowers so equipped before starting the engine.
- If the equipment should start to vibrate abnormally, stop the engine (motor) and check immediately for the cause. Vibration is generally a warning of trouble.
- Always wear safety goggles or safety glasses with side shields when operating mower.

II. SLOPE OPERATION

Slopes are a major factor related to slip & fall accidents which can result in severe injury. All slopes require extra caution. If you feel uneasy on a slope, do not mow it.

BRIGGS & STRATTON 4-CYCLE ENGINE

MODEL NUMBER 128T05-1352-B1

| KEY PART NO. | NO. | DESCRIPTION | KEY PART NO. | NO. | DESCRIPTION |
|--------------|---------|-------------------------------|--------------|----------------|--|
| 291 | 790830 | Thermostat | 783A | 795099 | Gear-Pinion (Large) |
| 300 | 790828 | Muffler | 784 | 795095 | Cover-Starter Gear |
| 304 | 790826 | Housing-Blower | 785 | 795097 | Gasket-Starter Cover |
| 305 | 691108 | Screw (Blower Housing) | 789 | 796574 | Harness-Wiring |
| 306 | 790836 | Shield-Cylinder | 847 | 692047 | Dipstick / Tube Assembly |
| 307 | 690345 | Screw (Cylinder Shield) | 851 | 493880s | Terminal-Spark Plug |
| 309 | 795092 | Motor-Starter | 853 | 695268 | Adapter-Wire (Starter Motor) |
| 332 | 690662 | Nut (Flywheel) | 868 | 697338 | Seal-Valve |
| 333 | 790817 | Armature-Magneto | 869 | 691155 | Seat-Valve (Intake) |
| 334 | 691061 | Screw (Magneto Armature) | 870 | 690380 | Seat-Valve (Exhaust) |
| 337 | 796112s | Plug-Spark | 871 | 262001 | Bushing-Valve Guide (Exhaust Valve) |
| 356 | 692390 | Wire-Stop | | | Bushing-Valve Guide (Intake Valve) |
| 358 | 794307 | Gasket Set-Engine | 63709 | | Gasket-Exhaust |
| 365 | 691688 | Screw (Carburetor) | 883 | 691881 | Cover-Blower Housing |
| 404 | 690272 | Washer (Governor Crank) | 921 | 796706 | Spring-Brake |
| 425 | 690670 | Screw (Air Cleaner Cover) | 922 | 692135 | Brake |
| 443 | 692523 | Screw (Air Cleaner Base) | 923 | 796387 | Spline-Starter |
| 445 | 491588s | Filter-Air Cleaner Cartridge | 937 | 795098 | Cap-Fuel Tank |
| 455 | 791960 | Cup-Flywheel | 957 | 796654 | Cap-Fuel Tank |
| 456 | 692299 | Plate-Pawl Friction | 957A | 793606 | Base-Air Cleaner Primer |
| 459 | 281505s | Pawl-Ratchet | 966 | 795259 | Cover-Air Cleaner |
| 505 | 691251 | Nut (Governor Control Lever) | 968 | 692298 | Screw (Blower Housing Cover) |
| 513 | 795100 | Clutch-Drive | 969 | 690700 | Tank-Fuel |
| 523 | 499621 | Dipstick | 972 | 699374 | Bowl-Fuel |
| 524 | 692296 | Seal- Dipstick Tube | 975 | 796611 | Label-Emissions (Available From any Briggs & Stratton Authorized Dealer) |
| 525 | 495265 | Tube-Dipstick | 1036 | --- | Operator's Manual |
| 562 | 691119 | Bolt (Governor Control Lever) | 1058 | 277039 | Kit-Screw / Washer (Fuel Tank) |
| 564 | 698589 | Screw (Control Cover) | 1059 | 692311 | Gasket Set-Valve |
| 584 | 697734 | Cover-Breather Passage | 1095 | 498528 | Pulley / Spring Assy. (Pulley) |
| 585 | 691879 | Gasket-Breather Passage | 1210 | 498144 | Pulley / Spring Assy. (Spring) |
| 592 | 690800 | Nut (Rewind Starter) | 1211 | 498144 | Replacement Engine |
| 597 | 691696 | Screw (Pawl Friction Plate) | 1329 | 128L07-0062-F1 | Repair Manual |
| 601 | 791850 | Clamp-Hose (Green) | 1330 | 270962 | Vane-Air |
| 604 | 790703 | Cover-Control | 1387 | 790849 | Spring-Air Vane |
| 608 | 497680 | Starter-Rewind | 1388 | 790850 | Screw (Air Vane) |
| 613 | 790833 | Screw (Muffler) | -- | 398067 | Spark Arrester (available accessory) |
| 615 | 690340 | Retainer-Governor Shaft | | | Carburetor Overhaul Kit – Key Number 121 |
| 616 | 698801 | Crank-Governor | | | Engine Gasket Set – Key Number 358 |
| 617 | 270344s | Seal-O Ring (Intake Manifold) | | | Valve Gasket Set – Key Number 1095 |
| 621 | 692310 | Switch-Stop (Brake) | | | |
| 633 | 691321 | Seal-Throttle Shaft | | | |
| 633A | 693867 | Seal-Choke Shaft | | | |
| 651 | 690345 | Screw (Starter Gear Cover) | | | |
| 684 | 690345 | Screw (Breather Cover) | | | |
| 689 | 691855 | Spring-Friction | | | |
| 697 | 691127 | Screw (Drive Cap) | | | |
| 718 | 690959 | Pin-Locating | | | |
| 741 | 795755 | Gear-Timing (Includes Shim) | | | |
| 742 | 795094 | Retainer-E Ring | | | |
| 745 | 691648 | Screw (Brake) | | | |
| 783 | 795096 | Gear-Pinion (Small) | | | |

NOTE: All component dimensions given in U.S. inches. 1 inch = 25.4 mm

| KEY PART NO. | NO. | DESCRIPTION | KEY PART NO. | NO. | DESCRIPTION |
|--------------|---------|--|--------------|---------|--|
| 1 | 697322 | Cylinder Assembly | 28 | 499423 | Pin-Piston (Used Before Code Date 09041700). |
| 2 | 399269 | Kit-Bushing / Seal (Magneto Side) | 29 | 797306 | Rod-Connecting (Used After Code Date 09041600). |
| 3 | 299819s | Seal-Oil (Magneto Side) | | 499424 | Rod-Connecting (Used Before Code Date 09041700). |
| 4 | 493279 | Sump-Engine | 32 | 691664 | Screw (Con. Rod) (Short) |
| 5 | 691160 | Head-Cylinder | 32A | 695759 | Screw (Con. Rod) (Long) |
| 7 | 692249 | Gasket-Cylinder Head | 33 | 262651s | Valve-Exhaust |
| 8 | 695250 | Breather Assembly | 34 | 262652s | Valve-Intake |
| 9 | 699472 | Gasket-Breather | 35 | 691270 | Spring-Valve (Intake) |
| 10 | 691125 | Screw (Breather Assembly) | 36 | 691270 | Spring-Valve (Exhaust) |
| 11 | 691781 | Tube-Breather | 37 | 793756 | Guard-Flywheel |
| 11A | 691923 | Tube-Breather | 40 | 692194 | Retainer-Valve |
| 12 | 692232 | Gasket-Crankcase | 43 | 691997 | Slinger-Governor / Oil |
| 13 | 690912 | Screw (Cylinder Head) | 45 | 690548 | Tappet-Valve |
| 15 | 691680 | Plug-Oil Drain | 46 | 691449 | Camshaft |
| 16 | 691450 | Crankshaft (Includes Shim) | 48 | 792741 | Short Block |
| 20 | 399781s | Seal-Oil (PTO Side) | 50 | 796703 | Manifold-Intake |
| 22 | 691092 | Screw (Crankcase Cover / Sump) | 51 | 796704 | Gasket-Intake |
| 23 | 691987 | Flywheel | 54 | 691650 | Screw (Intake Manifold) |
| 24 | 222698s | Key-Flywheel | 55 | 691421 | Housing-Rewind Starter |
| 25 | 797302 | Piston Assembly (Standard Size) (Used After Code Date 09041600). | 58 | 697316 | Rope-Starter |
| | 795429 | Piston Assembly (Standard Size) (Used Before Code Date 09041700). | 60 | 795426 | Grip-Starter Rope |
| | 797303 | Piston Assembly (.020" Oversize) (Used After Code Date 09041600). | 65 | 690837 | Screw (Rewind Starter) |
| | 795430 | Piston Assembly (.020" Oversize) (Used Before Code Date 09041700). | 78 | 691108 | Screw (Flywheel Guard) |
| 26 | 797304 | Ring Set (Standard Size) (Used After Code Date 09041600). | 81 | 691740 | Lock-Muffler Screw |
| | 795431 | Ring Set (Standard Size) (Used Before Code Date 09041700). | 97 | 696565 | Shaft-Throttle |
| | 797305 | Ring Set (.020" Oversize) (Used After Code Date 09041600). | 104 | 691242 | Pin-Float Hinge |
| | 795432 | Ring Set (.020" Oversize) (Used Before Code Date 09041700). | 108 | 796708 | Valve-Choke |
| 27 | 691588 | Lock-Piston Pin (Used After Code Date 09041600). | 117 | 694176 | Jet-Main (Standard) |
| | 691866 | Lock-Piston Pin (Used Before Code Date 09041700). | 121 | 796612 | Kit-Carburetor Overhaul |
| 28 | 298909 | Pin-Piston (Used After Code Date 09041600). | 125 | 796707 | Carburetor |
| | | | 127 | 694468 | Plug-Welch |
| | | | 130 | 696564 | Valve-Throttle |
| | | | 133 | 398187 | Float-Carburetor |
| | | | 134 | 398188 | Kit-Needle / Seat |
| | | | 137 | 796610 | Gasket-Float Bowl |
| | | | 141 | 796193 | Kit-Choke Shaft |
| | | | 163 | 795629 | Gasket-Air Cleaner |
| | | | 177 | 691031 | Seal-O Ring (Dipstick) |
| | | | 187 | 791873 | Line-Fuel (Formed) (Cut To Fit) |
| | | | 187A | 791766 | Line-Fuel (Cut To Fit) |
| | | | 188 | 693999 | Screw (Control Bracket) |
| | | | 190 | 690940 | Screw (Fuel Tank) |
| | | | 202 | 691829 | Link-Mechanical Governor |
| | | | 209 | 699056 | Spring-Governor (No Color) |
| | | | 222 | 795937 | Bracket-Control |
| | | | 227 | 690783 | Lever-Governor Control |
| | | | 276 | 271716 | Washer-Sealing |
| | | | 287 | 690940 | Screw (Dipstick Tube) |

DO:

- Mow across the face of slopes: never up and down. Exercise extreme caution when changing direction on slopes.
- Remove obstacles such as rocks, tree limbs, etc.
- Watch for holes, ruts, or bumps. Tall grass can hide obstacles.

DO NOT:

- Do not trim near drop-offs, ditches or embankments. The operator could lose footing or balance.
- Do not trim excessively steep slopes.
- Do not mow on wet grass. Reduced footing could cause slipping.

III. CHILDREN

Tragic accidents can occur if the operator is not alert to the presence of children. Children are often attracted to the machine and the mowing activity. *Never* assume that children will remain where you last saw them.

- Keep children out of the trimming area and under the watchful care of another responsible adult.
- Be alert and turn machine off if children enter the area.
- Before and while walking backwards, look behind and *down* for small children.
- Never allow children to operate machine.
- Use extra care when approaching blind corners, shrubs, trees, or other objects that may obscure vision.

IV. SAFE HANDLING OF GASOLINE

Use extreme care in handling gasoline. Gasoline is extremely flammable and the vapors are explosive.

- Extinguish all cigarettes, cigars, pipes and other sources of ignition.
- Use only an approved container.
- Never remove gas cap or add fuel with the engine running. Allow engine to cool before refueling.
- Never refuel the machine indoors.
- Never store the machine or fuel container where there is an open flame, spark or pilot light such as a water heater or on other appliances.

⚠ WARNING: This lawn mower is equipped with an internal combustion engine and should not be used on or near any unimproved forest-covered, brush-covered or grass-covered land unless the engine's exhaust system is equipped with a spark arrester meeting applicable local or state laws (if any). If a spark arrester is used, it should be maintained in effective working order by the operator. A spark arrester for the muffler is available through your nearest Sears Service Centre (See the REPAIR PARTS section of this manual).

- Never fill containers inside a vehicle, on a truck or trailer bed with a plastic liner. Always place containers on the ground away from your vehicle before filling.
- Remove gas-powered equipment from the truck or trailer and refuel it on the ground. If this is not possible, then refuel such equipment with a portable container, rather than from a gasoline dispenser nozzle.
- Keep the nozzle in contact with the rim of the fuel tank or container opening at all times until fueling is complete. Do not use a nozzle lock-open device.
- If fuel is spilled on clothing, change clothing immediately.
- Never overfill fuel tank. Replace gas cap and tighten securely.

V. GENERAL SERVICE

- Never run machine inside a closed area.
- Never make adjustments or repairs with the engine (motor) running. Disconnect the spark plug wire, and keep the wire away from the plug to prevent accidental starting.
- Keep nuts and bolts, especially blade attachment bolts, tight and keep equipment in good condition.
- Never tamper with safety devices. Check their proper operation regularly.
- Keep machine free of grass, leaves, or other debris build-up. Clean oil or fuel spillage. Allow machine to cool before storing.
- Stop and inspect the equipment if you strike an object. Repair, if necessary, before restarting.
- Never attempt to make wheel height adjustments while the engine is running.
- Grass catcher components are subject to wear, damage, and deterioration, which could expose moving parts or allow objects to be thrown. Frequently check components and replace with manufacturer's recommended parts, when necessary.
- Mower blades are sharp and can cut. Wrap the blade(s) or wear gloves, and use extra caution when servicing them.
- Do not change the engine governor setting or overspeed the engine.
- Maintain or replace safety and instruction labels, as necessary.

WARRANTY

GENERAL: Craftsman products are warranted to be free from defects in materials or workmanship for a specific time period as set-out below (the "Warranty Period"). Warranties extend to the original purchaser of a Craftsman product only. Purchases made through an online auction or through any website other than www.sears.ca are excluded. The relevant Warranty Period commences on the original date of purchase. Within this period, Sears Canada, Inc. will, at its sole option, repair or replace any products or components which fail in normal use. Such repairs or replacement will be made at no charge to the customer for parts or labor, provided that the customer shall be responsible for any transportation cost.

EXCLUSIONS: This warranty does not cover failures due to normal wear, abuse, misuse, neglect (including but not limited to the use of stale fuel, dirt, abrasives, moisture, rust, corrosion, or any adverse reaction due to improper storage or use habits), improper maintenance or failure to follow maintenance guidelines and/or instructions, failure to operate the product in accordance with the owner's manual or any additional instructions or information provided at the time of purchase or in subsequent communications with the original purchaser, accident or unauthorized alterations or repairs made or attempted by others. Also excluded from warranty coverage – except as provided below - are the following: maintenance, adjustments, components subject to wear including but not limited to: cosmetic components, belts, blades, blade adapters, bulbs, tires, filters, guide bars, lubricants, seats, grips, recoil assy's, saw chains and bars, trimmer lines and spools, spark plugs, starter ropers and tines, and discoloration resulting from ultraviolet light. Any product missing the model and/or serial number identification label will be disqualified from coverage under this warranty.

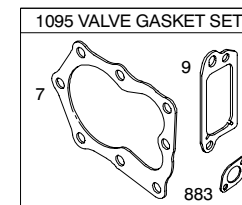
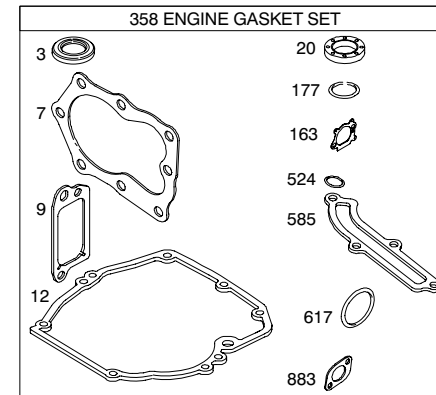
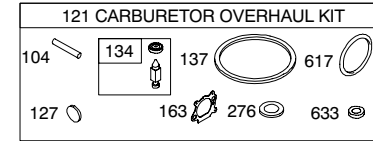
REPAIRS: Repairs have a 90 day warranty. If the defective product is still within the Warranty Period, then the new warranty is 90 days from the date of repair or to the end of the original Warranty Period, whichever period is longer.

DISCLAIMERS: THE WARRANTIES AND REMEDIES CONTAINED HEREIN ARE EXCLUSIVE AND IN LIEU OF ALL OTHER WARRANTIES, WHETHER ORAL OR WRITTEN (OTHER THAN AS STATED HEREIN), AND WHETHER EXPRESS, IMPLIED OR STATUTORY, INCLUDING BUT NOT LIMITED TO ANY. THIS WARRANTY GIVES YOU SPECIFIC LEGAL RIGHTS, WHICH MAY VARY FROM PROVINCE TO PROVINCE.

IN NO EVENT SHALL SEARS BE LIABLE FOR ANY INCIDENTAL, SPECIAL, INDIRECT OR CONSEQUENTIAL DAMAGES, WHETHER RESULTING FROM THE USE, MISUSE OR INABILITY TO USE THE PRODUCT OR FROM DEFECTS IN THE PRODUCT. THE EXCLUSIONS IN THIS PARAGRAPH SHALL NOT APPLY IN JURISDICTIONS WHERE APPLICABLE LAW DOES NOT ALLOW FOR THE EXCLUSION OF INCIDENTAL OR CONSEQUENTIAL DAMAGES. IN SUCH JURISDICTIONS, THIS PARAGRAPH SHALL NOT APPLY, BUT THE REMAINING PROVISIONS OF THIS DOCUMENT SHALL REMAIN VALID.

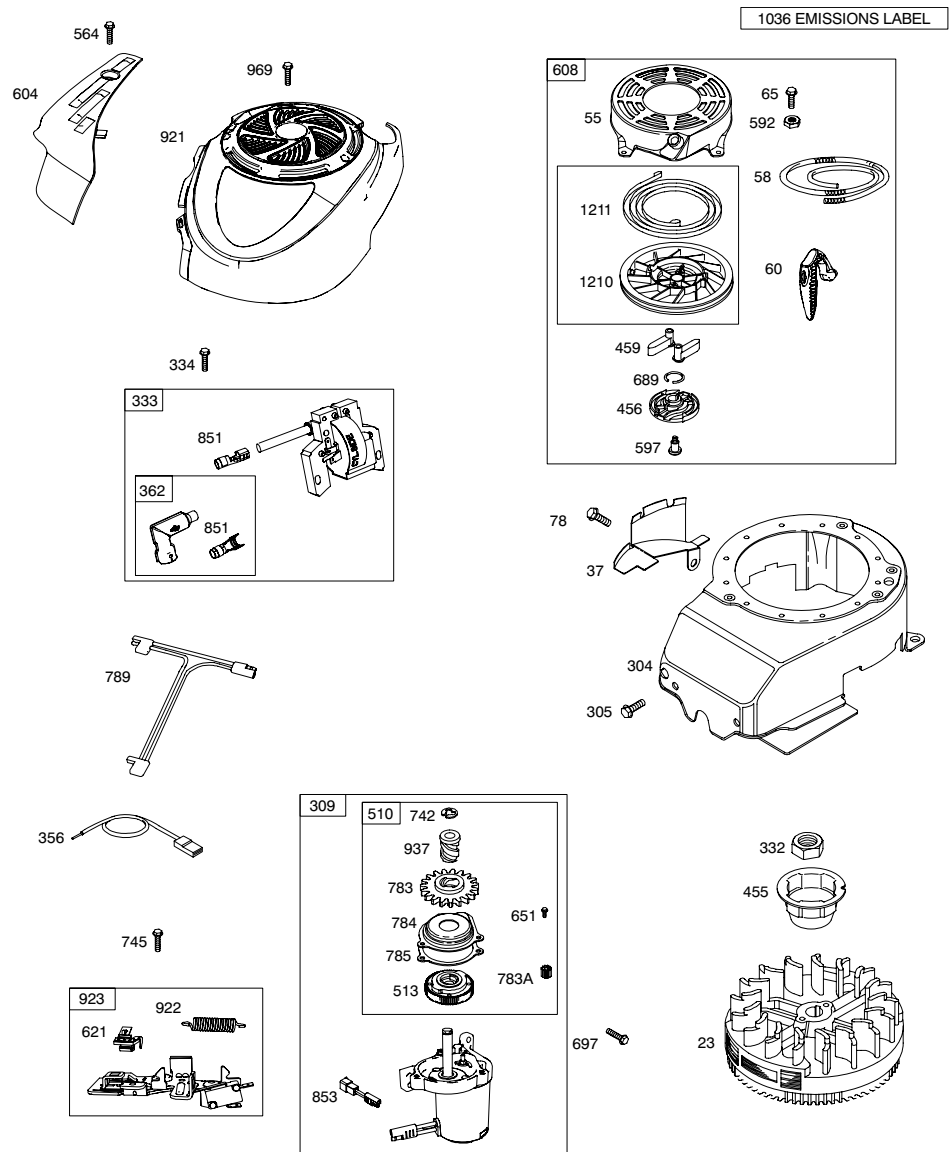
Sears retains the exclusive right to repair or replace the product or offer a full refund of the purchase price at its sole discretion. SUCH REMEDY SHALL BE YOUR SOLE AND EXCLUSIVE REMEDY FOR ANY BREACH OF WARRANTY.

CUSTOMER RESPONSIBILITIES: In addition to complying with all suggested maintenance guidelines and instructions, customers' obligations shall include but shall not be limited to: operating the product in accordance with the owner's manual or any additional instructions or information provided at the time of purchase or in subsequent communications to the purchaser from time to time, exhibit reasonable care in the use, operation, maintenance, general upkeep and storage of the product. Failure to comply with these requirements will void any applicable warranty.



Engine Power Rating Information

The gross power rating for individual gas engine models is labeled in accordance with SAE (Society of Automotive Engineers) code J11940 (Small Engine Power & Torque Rating Procedure), and rating performance has been obtained and corrected in accordance with SAE J1995 (Revision 2002-5). Actual gross engine power will be lower and is affected by, among other things, ambient operating conditions and engine-to-engine variability. Given both the wide array of products on which engines are placed and the variety of environmental issues applicable to operating the equipment, the gas engine will not develop the rated gross power when used in a given piece of power equipment (actual "on-site" or net horsepower). This difference is due to a variety of factors including, but not limited to, accessories (air cleaner, exhaust, charging, cooling, carburetor, fuel pump, etc.), application limitations, ambient operating conditions (temperature, humidity, altitude), and engine-to-engine variability. Due to manufacturing and capacity limitations, Briggs & Stratton may substitute an engine of higher rated power for this Series engine.



WARRANTY

LIST OF APPLICABLE WARRANTY PERIODS: The following list contains the applicable Warranty Period for your Craftsman product and is based on a combination of the type of product or component and the intended and actual use of the product or component:

- 90 DAYS:** Craftsman products intended for use or actually used for commercial, institutional, professional or income-producing purposes
- 2 YEARS:** Craftsman riding lawn mowers, yard and garden tractors, walk behind mowers, tillers, brush cutters, snow blowers, handheld blowers, backpack blowers, hedge trimmers and electrical products for noncommercial, nonprofessional, non-institutional, or non-income-producing use, except for those components which are part of engine systems manufactured by third party engine manufacturers for which the purchase has received an separate warranty with product information supplied at the time of purchase.
- 1 YEAR:** Craftsman power cutters, stump grinders, pole pruners, gas chain saws, electric chain saws, trimmer attachments, baggers and pole saws for noncommercial, nonprofessional, non-institutional, or non-income-producing use.
- 90 DAYS:** All defective batteries, which will be replaced during this 90-day Warranty Period.
- 60 DAYS:** Additional Warranty Period of 60 days will apply to adjustments and worn products or components **BUT DOES NOT INCLUDE WEAR OR ADJUSTMENTS** for products used for commercial, institutional, professional or income-producing purposes. Wear items include but are not limited to: belts, blades, tires, spark plugs, air filters, chains, shear bolts, skid plates, scraper bars, drift cutters, ropes, tines, collection bags and pulleys.

As the Warranty Period runs from the date of purchase and NOT from the date that a product is delivered, opened, assembled or first used, please ensure during this time period that your product or component has been assembled and tested for correction operation regardless of when you intend to actually use it. Claims made after the Warranty Period has expired will not be honored.

PROOF OF PURCHASE/DOCUMENTATION: Warranty coverage is conditioned upon the original purchaser furnishing Sears Canada or its authorized third party service provider if applicable, with the original sales receipt or other adequate written proof of the original purchase date and identification of the product. In the event that the original purchaser is unable to provide a company of the original sales receipt, Sears Canada Inc. reserves the right to determine in its sole discretion what other written proof of the original purchase date and identification of the product is acceptable.

PRODUCT SPECIFICATIONS

| | |
|---------------------------|---|
| Serial Number: | |
| Date of Purchase: | |
| Gasoline Capacity / Type: | 1,5 Litres (Unleaded Regular) |
| Oil Capacity: | 0,58 Litres |
| Oil Type (API SG-SL): | SAE 30 (above 0°C/32°F); SAE 5W-30 (below 0°C/32°F) |
| Spark Plug: | Champion RJ19HX (Gap: 0,76 mm) |
| Blade Bolt Torque: | 35-40 ft. lbs. |

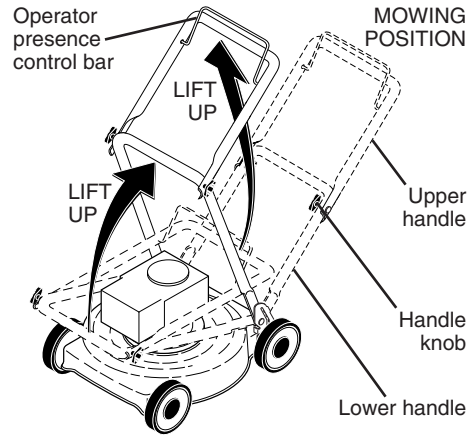
- The model and serial numbers will be found on a decal on the rear of the lawn mower housing. Record both serial number and date of purchase in space provided above.

ASSEMBLY / PRE-OPERATION

Read these instructions and this manual in its entirety before you attempt to assemble or operate your new lawn mower.

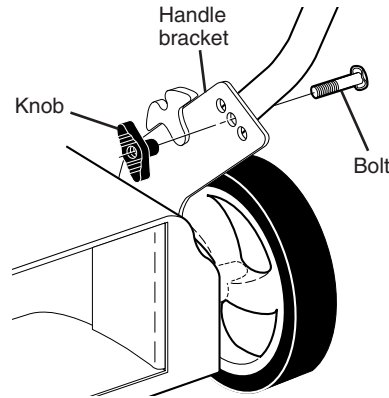
IMPORTANT: This lawn mower is shipped WITHOUT OIL OR GASOLINE in the engine.

Your new lawn mower has been assembled at the factory with the exception of those parts left unassembled for shipping purposes. To ensure safe and proper operation of your lawn mower, all parts and hardware you assemble must be tightened securely. Use the correct tools as necessary to ensure proper tightness. All parts such as nuts, washers, bolts, etc., necessary to complete the assembly have been placed in the parts bag.



TO REMOVE MOWER FROM CARTON

1. Remove loose parts included with mower.
2. Cut down two end corners of carton and lay end panel down flat.
3. Remove all packing materials except padding between upper and lower handle and padding holding operator presence control bar to upper handle.
4. Roll lawn mower out of carton and check carton thoroughly for additional loose parts.

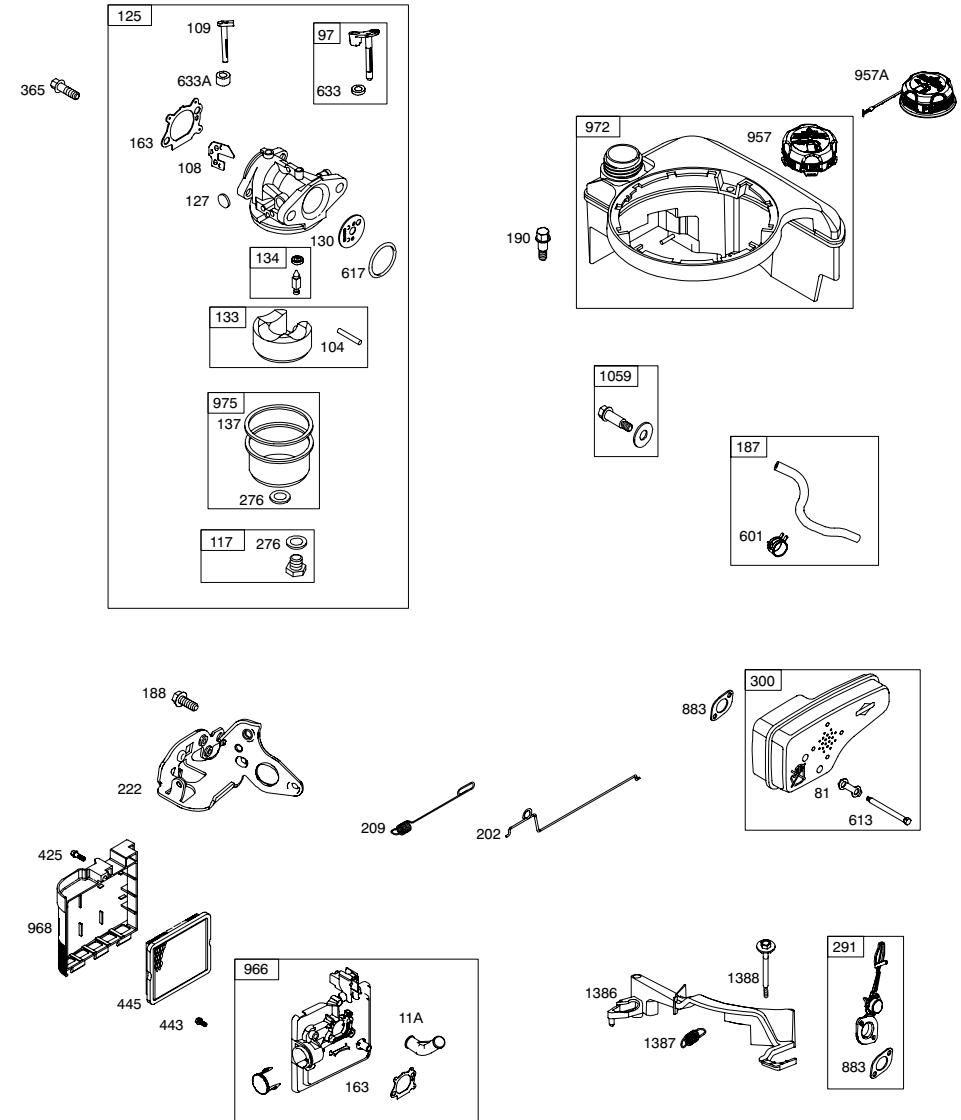


HOW TO SET UP YOUR MOWER TO UNFOLD HANDLE

IMPORTANT: Unfold handle carefully so as not to pinch or damage control cables.

1. Raise handles until lower handle section locks into place in mowing position.
2. Remove protective padding, raise upper handle section into place on lower handle and tighten both handle knobs.
3. Remove handle padding holding operator presence control bar to upper handle.

Your lawn mower handle can be adjusted for your mowing comfort. Refer to "ADJUST HANDLE" in the Service and Adjustments section of this manual.

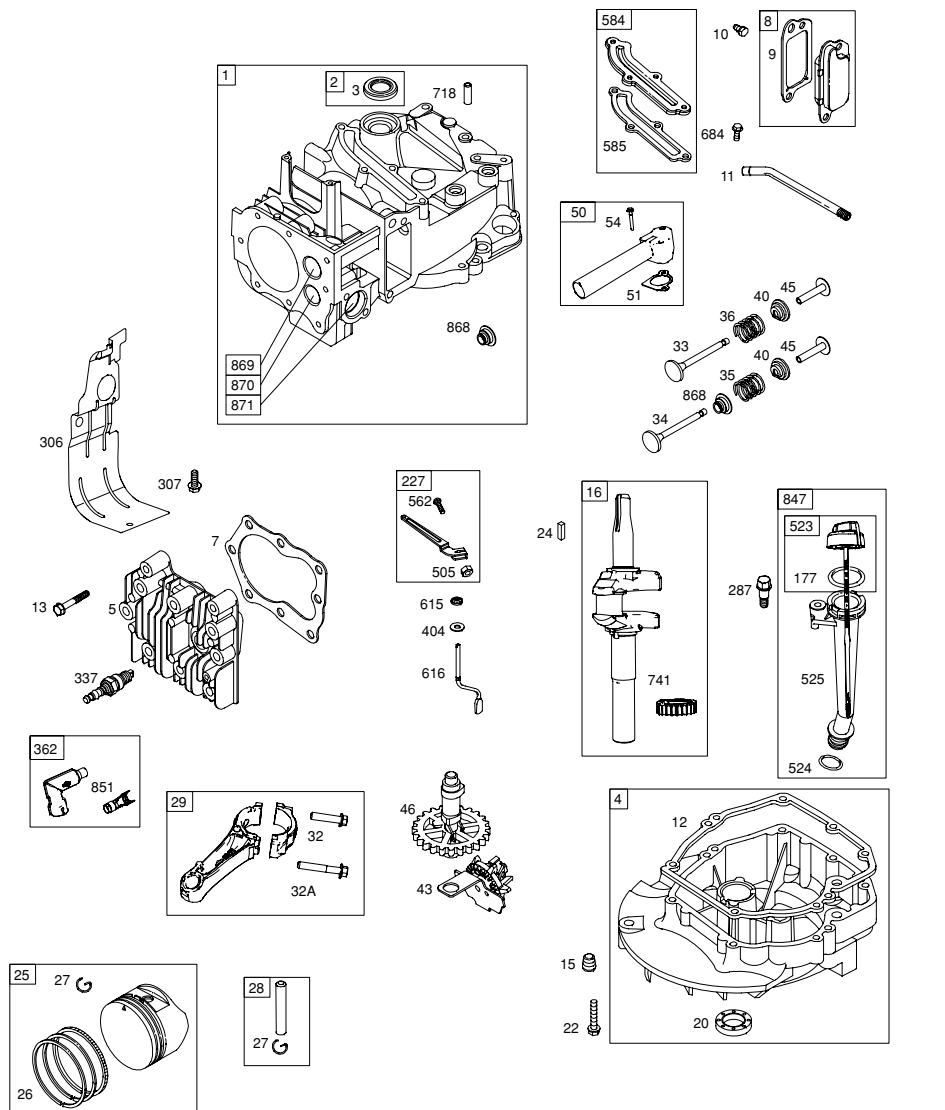


48 SHORT BLOCK

1058 OPERATOR'S MANUAL

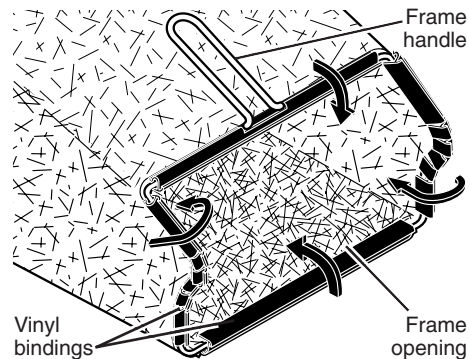
1329 REPLACEMENT ENGINE

1330 REPAIR MANUAL



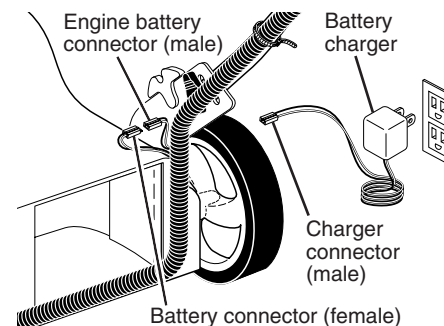
TO ASSEMBLE GRASS CATCHER

1. Put grass catcher frame into grass bag with rigid part of bag on the bottom. Make sure the frame handle is outside of the bag top.
 2. Slip vinyl bindings over frame.
- NOTE:** If vinyl bindings are too stiff, hold them in warm water for a few minutes. If bag gets wet, let it dry before using.



TO PREPARE BATTERY

- NOTE:** Your battery must be charged before you can start your lawn mower.
1. Disconnect engine battery connector (male) from battery connector (female).
 2. Connect battery charger connector (male) to battery connector (female).
 3. Plug battery charger into 110 volt A.C. outlet.
 4. Leave battery charger connected for 24 hours before starting your engine for the first time.
 5. After charging, connect engine connector (male) to battery connector (female).
- Connect your battery charger to charge battery as required.
- IMPORTANT:** The engine will not recharge your battery. At the end of the mowing season the battery should be charged for 48 hours to protect the battery during winter storage.
- CAUTION:** Always disconnect the harness connector to prevent accidental starting when transporting or storing your lawn mower after the season.



TO INSTALL ATTACHMENTS

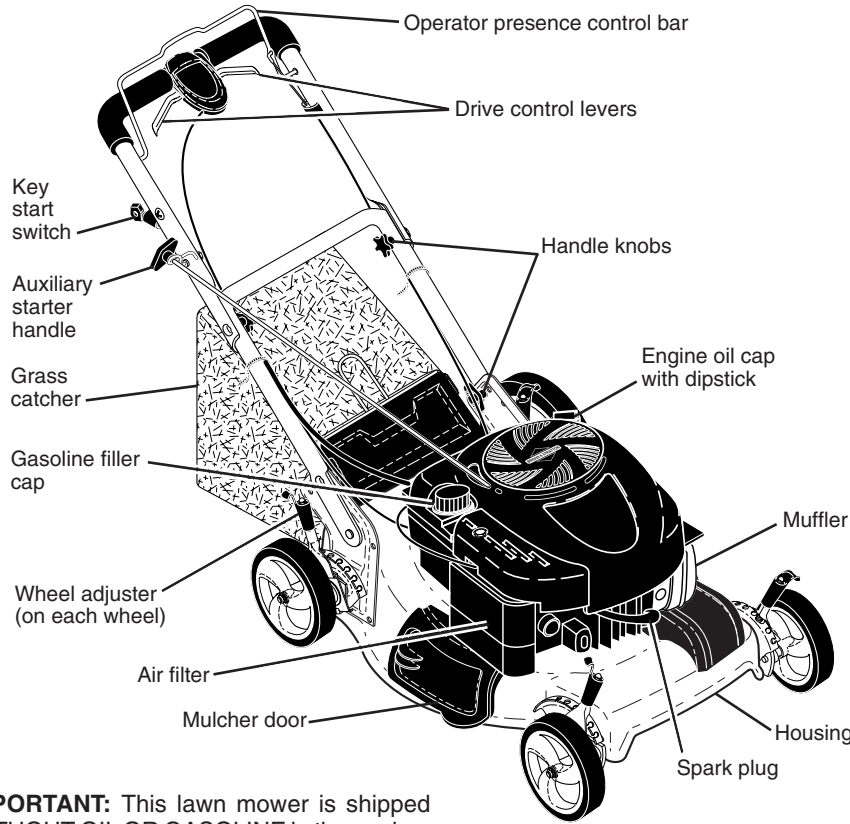
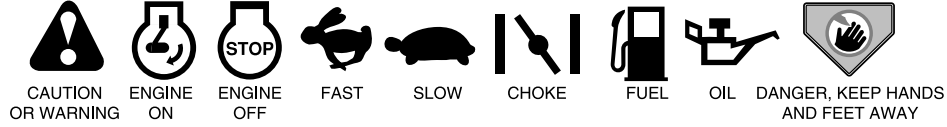
Your lawn mower was shipped ready to be used as a mulcher. To convert mower to bagging or discharging, see "TO CONVERT MOWER" in the Operation section of this manual.

OPERATION

KNOW YOUR LAWN MOWER

READ THIS OWNER'S MANUAL AND ALL SAFETY RULES BEFORE OPERATING YOUR LAWN MOWER. Compare the illustrations with your lawn mower to familiarize yourself with the location of various controls and adjustments. Save this manual for future reference.

These symbols may appear on your lawn mower or in literature supplied with the product. Learn and understand their meaning.



IMPORTANT: This lawn mower is shipped WITHOUT OIL OR GASOLINE in the engine.

MEETS CPSC SAFETY REQUIREMENTS

Sears rotary walk-behind power lawn mowers conform to the safety standards of the American National Standards Institute and the U.S. Consumer Product Safety Commission. **WARNING:** The blade turns when the engine is running.

Operator presence control bar – must be held down to the handle to start the engine. Release to stop the engine.

Drive control levers – used to engage power-propelled forward motion of mower.

Key start switch – used for starting engine.

Auxiliary starter handle – used for starting engine.

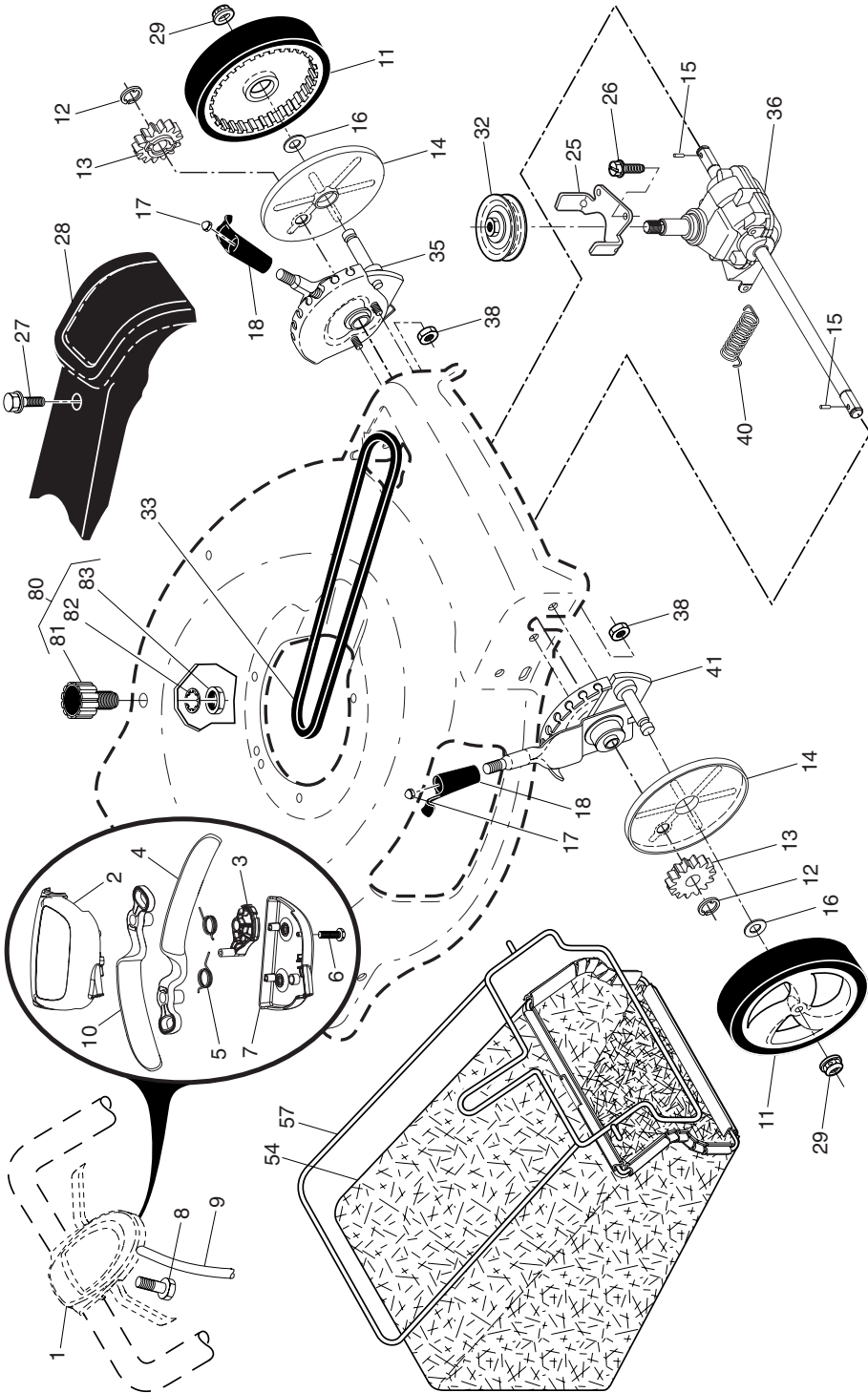
Mulcher door – allows conversion to discharging or bagging operation.

CRAFTSMAN ROTARY LAWN MOWER -- MODEL NUMBER 944.369630

| KEY NO. | PART NO. | DESCRIPTION | KEY NO. | PART NO. | DESCRIPTION |
|---------|------------|---|---------|----------|--|
| 1 | 428157 | Drive Control Assembly (Includes Cable) | 26 | 163409 | Screw, Hi-Lo Thread #12 x 5/8 |
| 2 | 424630 | Cover, Top | 27 | 175262 | Screw, Pan Head #10-24 x 2-3/4 |
| 3 | 420378 | Cam | 28 | 428165 | Drive Cover |
| 4 | 421538X615 | Lever, Drive Control, RH | 29 | 409148 | Locknut, Hex |
| 5 | 420381 | Spring, Return | 32 | 194018 | Drive Pulley |
| 6 | 181698 | Screw | 33 | 426609 | V-Belt |
| 7 | 420377X428 | Cover, Bottom | 35 | 424524 | Kit, Wheel Adjuster, Front, LH (Includes Red Knob and Pushnut) |
| 8 | 178848 | Screw #10-16 x 5/8 | 36 | 424657 | Gear Case Assembly, Complete |
| 9 | 427426 | Cable, Drive | 38 | 191730 | Locknut, Hex 1/4-20 |
| 10 | 421537X615 | Lever, Drive Control, LH | 40 | 406558 | Spring |
| 11 | 194231X460 | Wheel & Tire Assembly, Front | 41 | 424522 | Kit, Wheel Adjuster, Front, RH (Includes Red Knob and Pushnut) |
| 12 | 12000058 | E-Ring | 54 | 422507 | Grassbag |
| 13 | 403849 | Pinion | 57 | 419951 | Frame, Grassbag |
| 14 | 189403 | Dust Cover | 80 | 421114 | Kit, Water Washout Assembly (Includes Key Numbers 81 thru 83) |
| 15 | 404845 | Pawl, Drive | 81 | 419735 | Fitting, Water Washout |
| 16 | 67725 | Washer, Flat 3/8 | 82 | 415585 | Washer, Lock, Internal Tooth |
| 17 | 413808 | Nut, Push | 83 | 415586 | Locknut, Hex, with O-Ring |
| 18 | 419345X615 | Selector Knob | | | |
| 25 | 404843X004 | Belt Guide Bracket | | | |

IMPORTANT: Use only Original Equipment Manufacturer (O.E.M.) replacement parts. Failure to do so could be hazardous, damage your lawn mower and void your warranty.

NOTE: All component dimensions given in U.S. inches. 1 inch = 25.4 mm.



24



The operation of any lawn mower can result in foreign objects thrown into the eyes, which can result in severe eye damage. Always wear safety glasses or eye shields while operating your lawn mower or performing any adjustments or repairs. We recommend a standard safety glasses or wide vision safety mask worn over spectacles.

HOW TO USE YOUR LAWN MOWER ENGINE SPEED

Engine speed was set at the factory for optimum performance. It is not adjustable.

ENGINE ZONE CONTROL

CAUTION: Federal regulations require an engine control to be installed on this lawn mower in order to minimize the risk of blade contact injury. Do not under any circumstances attempt to defeat the function of the operator control. The blade turns when the engine is running.

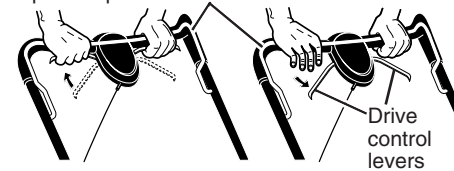
- Your lawn mower is equipped with an operator presence control bar which requires the operator to be positioned behind the lawn mower handle to start and operate the lawn mower.

DRIVE CONTROL

- Self-propelling is controlled by holding the operator presence control bar down to the handle and pulling either drive control lever rearward to the handle. The further toward the handle a lever is pulled, the faster the unit will travel.
- Forward motion will stop when either the operator presence control bar or a drive control lever are released. To stop forward motion without stopping engine, release a drive control lever only. Hold operator presence control bar down against handle to continue mowing without self-propelling.

NOTE: If after releasing the drive control the mower will not roll backwards, push the mower forward slightly to disengage drive wheels.

Operator presence control bar



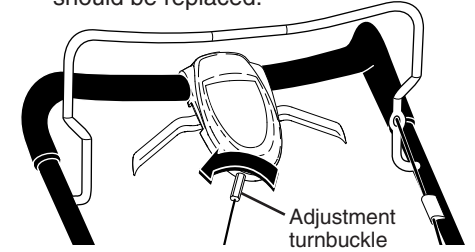
TO ENGAGE DRIVE CONTROL

DRIVE CONTROL DISENGAGED

DRIVE CONTROL ADJUSTMENT

Over time, the drive control system may become "loose", resulting in decreased speed. There is a turnbuckle on the drive control housing to increase tension on the drive cable. Proceed as follows:

- Turn unit off and disconnect spark plug wire from spark plug.
- Rotate turnbuckle on drive control to increase drive speed.
- Operate mower to test drive speed. Readjust as required.
- If condition fails to improve after the above steps (forward speed remains the same), your drive belt is worn and should be replaced.



TO ADJUST CUTTING HEIGHT

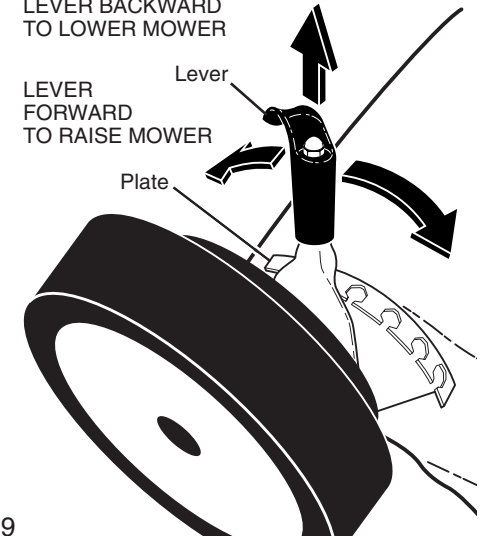
Raise wheels for low cut and lower wheels for high cut, adjust cutting height to suit your requirements. Medium position is best for most lawns.

- To change cutting height, pull up on adjuster lever, move wheel up or down to suit your requirements and release adjuster lever. Be sure all wheels are in the same setting.

NOTE: Adjuster is properly positioned when lever inserts into hole in plate.

LEVER BACKWARD TO LOWER MOWER

LEVER FORWARD TO RAISE MOWER



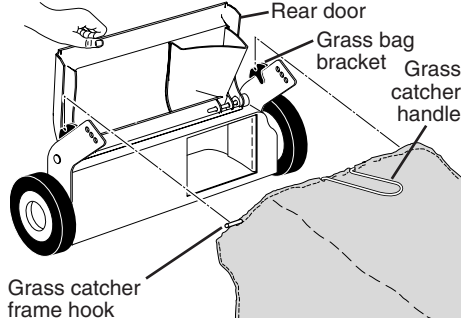
9

TO CONVERT MOWER

Your lawn mower was shipped ready to be used as a mulcher. To convert to bagging or discharging:

REAR BAGGING

- Lift rear door of the lawn mower and place the grass catcher frame hooks onto the grass bag brackets.
- To convert to mulching or discharging operation, remove grass catcher and close rear door.



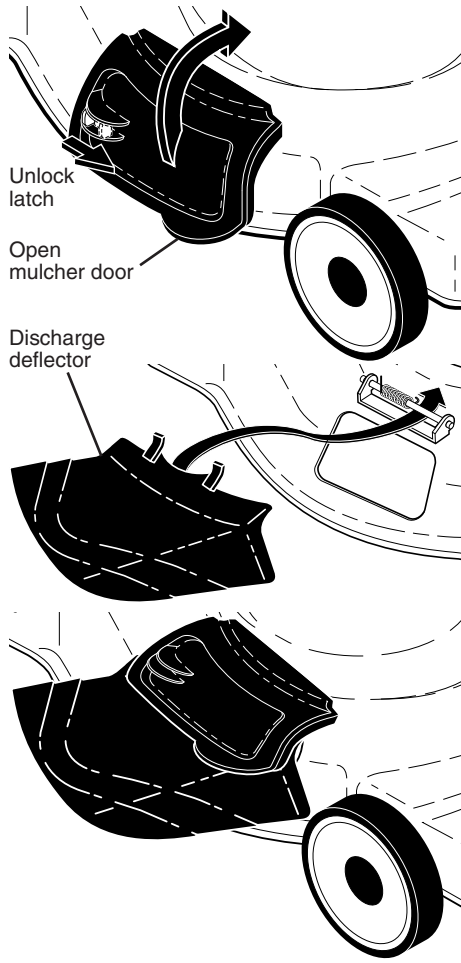
NOTE: Rear door will remain open until operator presence control bar is held down to the handle.

CAUTION: Do NOT force rear door to close. Serious damage to your mower could result.



SIDE DISCHARGING

- Rear door must be closed.
- Open mulcher door and install discharge deflector under door as shown.
- Mower is now ready for discharging operation.
- To convert to mulching or bagging operation, discharge deflector must be removed and mulcher door must be closed and locked.



SIMPLE STEPS TO REMEMBER WHEN CONVERTING YOUR LAWN MOWER

FOR MULCHING -

1. Rear door closed.
2. Mulcher door closed and locked.

FOR REAR BAGGING -

1. Grass catcher installed.
2. Mulcher door closed and locked.

FOR SIDE DISCHARGING -

1. Rear door closed.
2. Discharge deflector installed.

CAUTION: Do not run your lawn mower without rear door closed or approved grass catcher in place. Never attempt to operate the lawn mower with the rear door removed or propped open.

CRAFTSMAN ROTARY LAWN MOWER -- MODEL NUMBER 944.369630

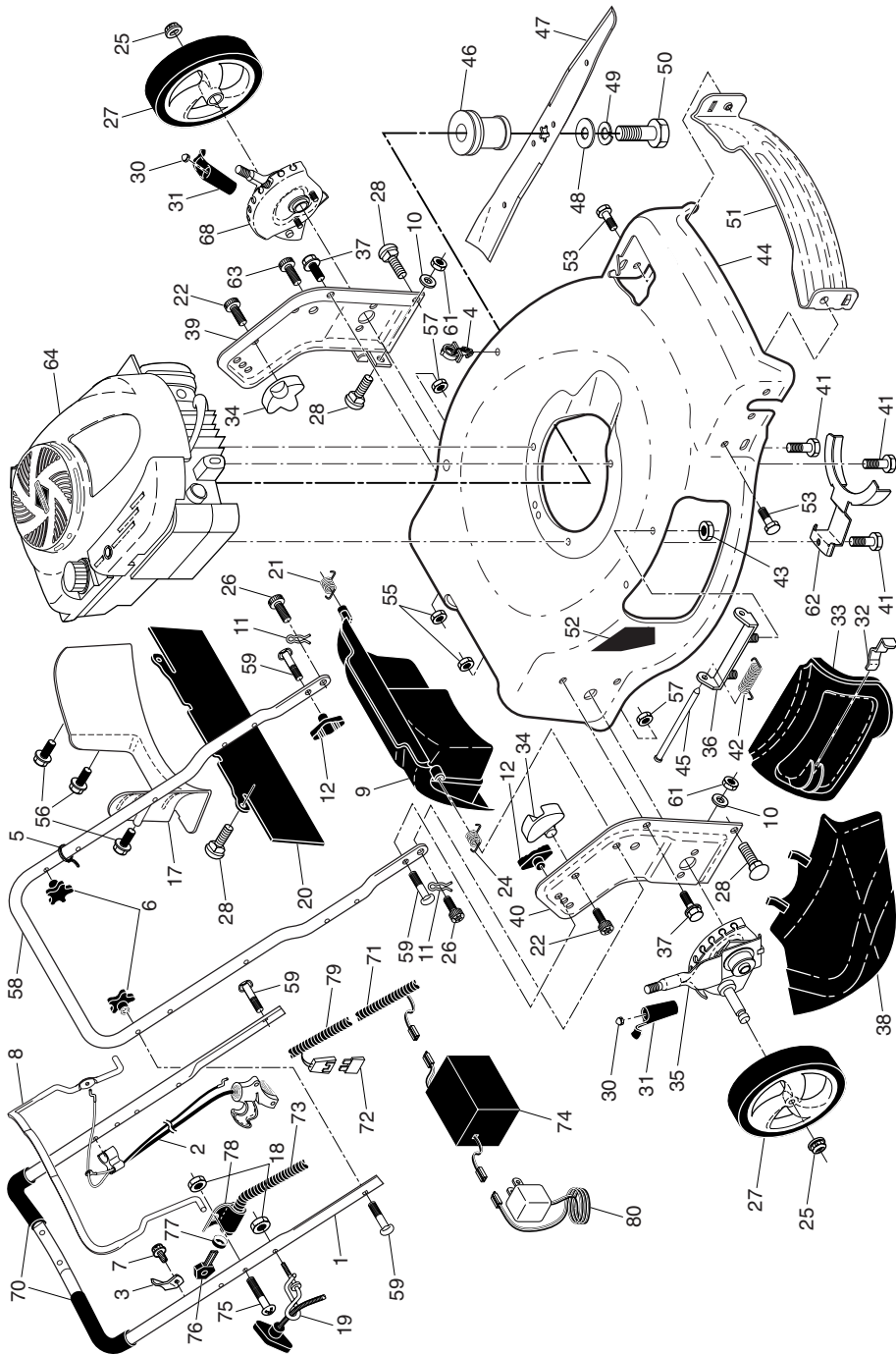
| KEY NO. | PART NO. | DESCRIPTION | KEY NO. | PART NO. | DESCRIPTION | KEY NO. | PART NO. | DESCRIPTION |
|---------|------------|--|---------|------------|---|---------|------------|--|
| 1 | 184576 | Upper Handle Assembly (Includes Foam Grip) | 34 | 419946X615 | Bracket, Grassbag | 57 | 155377 | Nut, Hex |
| 2 | 425079 | Cable, Engine Zone Control | 35 | 427456 | Kit, Wheel Adjuster, Rear, RH (Includes Red Knob & Pushnut) | 58 | 421241X479 | Lower Handle |
| 3 | 86899X004 | Bracket, Upstop | 36 | 175735 | Hinge Bracket Assembly | 59 | 191574 | Handle Bolt |
| 4 | 145006 | Guide, Cable | 37 | 17000512 | Screw, Flanged, Thread Cutting 5/16-18 x 3/4 | 61 | 73930500 | Nut, Hex 3/8-16 |
| 5 | 66426 | Wire Tie | 38 | 419942X428 | Discharge Deflector | 62 | 420474X004 | Belt Retainer |
| 6 | 182398 | Handle Knob, Star | 39 | 419033X479 | Handle Bracket, LH | 63 | 178848 | Screw #10-16 x 5/8 |
| 7 | 750634 | Screw #10-24 x 1/2 | 40 | 419031X479 | Handle Bracket, RH | 64 | --- | Engine, Briggs & Stratton, Model Number 128T05-1352-B1 (See Breakdown) |
| 8 | 426432X428 | Control Bar | 41 | 150406 | Bolt, Engine 3/8-16 | 65 | 197480 | O-Ring |
| 9 | 424207 | Rear Door Assembly | 42 | 193000 | Spring, Torsion | 68 | 427457 | Kit, Wheel Adjuster, Rear, LH (Includes Red Knob and Pushnut) |
| 10 | 19131610 | Washer | 43 | 191730 | Nut, Hex, Nylon | 70 | 182748 | Grip, Foam |
| 11 | 425575 | Hairpin, Door/Handle Pivot | 44 | 424995 | Kit, Lawn Mower Housing | 71 | 422114 | Wiring Harness, Battery |
| 12 | 189713X428 | Handle Knob, Standard | 45 | 175650 | Rod, Hinge | 72 | 425937 | Fuse, 40 Amp |
| 13 | 427120X428 | Rear Baffle | 46 | 421782 | Blade Adapter / Pulley | 73 | 194847 | Wiring Harness, Key Switch Housing |
| 14 | 132004 | Keys Locknut 1/4-20 | 47 | 421825 | Blade, 22" | 74 | 423264 | Battery |
| 15 | 194788 | Rope Guide | 48 | 851074 | Washer, Hardened | 75 | 186159 | Screw |
| 16 | 423323 | Rear Skirt | 49 | 850263 | Washer, Helical | 76 | 180331 | Key |
| 17 | 419949 | Spring, Rear Door, LH, Black | 50 | 851084 | Screw, Machine, Hex Head 3/8-24 x 1-3/8 Grade 8 | 77 | 194848 | Nut, Cap |
| 18 | 141841 | Screw, Panhead, Torx #20 | 51 | 419943 | Front Baffle | 78 | 423800 | Key Start Switch (Includes Key) |
| 19 | 419948 | Spring, Rear Door, RH, Grey | 52 | 404763 | Decal, Danger | 79 | 422115 | Wiring Harness, Handle |
| 20 | 409148 | Locknut, Hex | 53 | 17060408 | Screw, Semi-Gimlett Point 1/4-20 x 1/2 | 80 | 190097 | Charger, Battery |
| 21 | 419945 | Screw, Rear Door/Handle Pivot | 54 | 88348 | Washer, Flat | -- | 427279 | Owner's Manual, English |
| 22 | 400246X460 | Wheel & Tire Assembly, Rear | 55 | 191730 | Nut, Hex | -- | 427280 | Owner's Manual, French |
| 23 | 72250505 | Bolt, Carriage 5/16-18 x 5/8 | 56 | 17411312 | Screw, Hex Washer Head #13 x 3/4 | | | |
| 24 | 413808 | Nut, Push | | | | | | |
| 25 | 419407X615 | Selector Knob | | | | | | |
| 26 | 419944 | Latch, Mulcher Door | | | | | | |
| 27 | 423358 | Mulcher Door | | | | | | |

NOTE: All component dimensions given in U.S. inches. 1 inch = 25.4 mm.

IMPORTANT: Use only Original Equipment Manufacturer (O.E.M.) replacement parts. Failure to do so could be hazardous, damage your lawn mower and void your warranty.

REPAIR PARTS

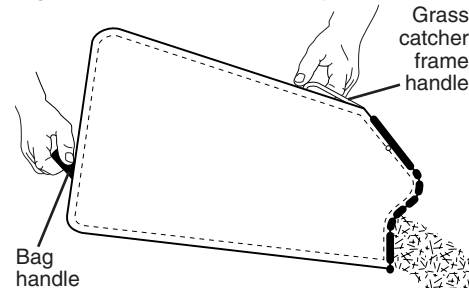
CRAFTSMAN ROTARY LAWN MOWER -- MODEL NUMBER 944.369630



TO EMPTY GRASS CATCHER

1. Lift up on grass catcher using the frame handle.
2. Remove grass catcher with clippings from under lawn mower handle.
3. Empty clippings from bag using both frame handle and bag handle.

NOTE: Do not drag the bag when emptying; it will cause unnecessary wear.



BEFORE STARTING ENGINE

ADD OIL

Your lawnmower is shipped without oil in the engine. For type and grade of oil to use, see "ENGINE" in the Maintenance section of this manual.

CAUTION: DO NOT overfill engine with oil, or it will smoke heavily from the muffler on startup.

1. Be sure lawnmower is level.
2. Remove oil dipstick from oil fill spout.
3. You receive a container of oil with the unit. Slowly pour the entire container down the oil fill spout into the engine.

NOTE: Initial oil fill requires only 18 oz. due to residual oil in engine from the manufacturer's 100% quality testing. When changing oil you may need 20 oz.

IMPORTANT:

- Check oil level before each use. Add oil if needed. Fill to full line on dipstick.
- Change the oil after every 25 hours of operation or each season. You may need to change the oil more often under dusty, dirty conditions. See "TO CHANGE ENGINE OIL" in the Maintenance section of this manual.

ATTACH FUEL CAP CARTRIDGE

Your mower is equipped with a special *FRESH START™* fuel cap and continuous fuel preserver cartridge. See the information and instructions packed with the *FRESH START™* cartridge.

1. Snap cartridge into bottom of fuel cap.

NOTE: Do not remove the silver foil seal on the side of cartridge that snaps into fuel cap.

2. Grasp the white peel tab and pull to remove the entire seal.
3. Screw fuel cap onto fuel tank after filling tank with gasoline.

Replace cartridge when empty (about once a season). Check preserver level visually.

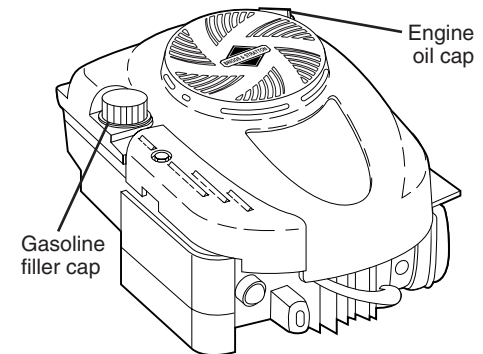
DANGER: Cartridge fluid is HARMFUL OR FATAL IF SWALLOWED. Avoid contact to eyes, skin, or clothing. Do not take internally. Do not inhale fluid vapor. Keep out of reach of children. If swallowed, call a physician immediately.

ADD GASOLINE

- Fill fuel tank to bottom of tank filler neck. Do not overfill. Use fresh, clean, regular unleaded gasoline with a minimum of 87 octane. Do not mix oil with gasoline. Purchase fuel in quantities that can be used within 30 days to assure fuel freshness.

CAUTION: Wipe off any spilled oil or fuel. Do not store, spill or use gasoline near an open flame.

CAUTION: Alcohol blended fuels (called gasohol or using ethanol or methanol) can attract moisture which leads to separation and formation of acids during storage. Acidic gas can damage the fuel system of an engine while in storage. To avoid engine problems, the fuel system should be emptied before storage of 30 days or longer. Empty the gas tank, start the engine and let it run until the fuel lines and carburetor are empty. Use fresh fuel next season. See Storage Instructions for additional information. Never use engine or carburetor cleaner products in the fuel tank or permanent damage may occur.



TO STOP ENGINE

- To stop engine, release operator presence control bar.

TO START ENGINE

NOTE: Due to protective coatings on the engine, a small amount of smoke may be present during the initial use of the product and should be considered normal.

NOTE: Your engine is equipped with an automatic choke system. No priming or choking is required before starting.

- To start engine, hold operator presence control bar down to the handle and turn the start key.

IMPORTANT: Do not crank engine more than five continuous seconds between each time you try to start. Wait 5 to 10 seconds between each attempt.

- To start engine using the rope starter, hold operator presence control bar down to the handle and pull starter handle quickly. Do not allow starter rope to snap back.

MOWING TIPS

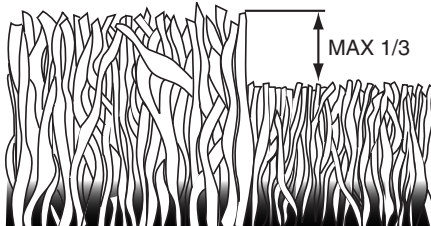
CAUTION: Do not use de-thatcher blade attachments on your mower. Such attachments are hazardous, will damage your mower and could void your warranty.

- Under certain conditions, such as very tall grass, it may be necessary to raise the height of cut to reduce pushing effort and to keep from overloading the engine and leaving clumps of grass clippings. It may also be necessary to reduce ground speed and/or run the lawn mower over the area a second time.
- For extremely heavy cutting, reduce the width of cut by overlapping previously cut path and mow slowly.
- For better grass bagging and most cutting conditions, the engine speed should be set in the FAST position.
- Pores in cloth grass catchers can become filled with dirt and dust with use and catchers will collect less grass. To prevent this, regularly hose catcher off with water and let dry before using.
- Keep top of engine around starter clear and clean of grass clippings and chaff. This will help engine air flow and extend engine life.

MULCHING MOWING TIPS

IMPORTANT: For best performance, keep mower housing free of built-up grass and trash. See "CLEANING" in the Maintenance section of this manual.

- The special mulching blade will recut the grass clippings many times and reduce them in size so that as they fall onto the lawn they will disperse into the grass and not be noticed. Also, the mulched grass will biodegrade quickly to provide nutrients for the lawn. Always mulch with your highest engine (blade) speed as this will provide the best recutting action of the blades.
- Avoid cutting your lawn when it is wet. Wet grass tends to form clumps and interferes with the mulching action. The best time to mow your lawn is the early afternoon. At this time the grass has dried, yet the newly cut area will not be exposed to direct sunlight.
- For best results, adjust the lawn mower cutting height so that the lawn mower cuts off only the top one-third of the grass blades. If the lawn is overgrown it will be necessary to raise the height of cut to reduce pushing effort and to keep from overloading the engine and leaving clumps of mulched grass. For extremely heavy grass, reduce your width of cut by overlapping previously cut path and mow slowly.



- Certain types of grass and grass conditions may require that an area be mulched a second time to completely hide the clippings. When doing a second cut, mow across (perpendicular) to the first cut path.
- Change your cutting pattern from week to week. Mow north to south one week then change to east to west the next week. This will help prevent matting and graining of the lawn.

TROUBLESHOOTING - See appropriate section in manual unless directed to a Sears Parts & Repair Centre.

| PROBLEM | CAUSE | CORRECTION |
|---|---|--|
| Poor cut – uneven | <ol style="list-style-type: none"> Worn, bent or loose blade. Wheel heights uneven. Buildup of grass, leaves and trash under mower. | <ol style="list-style-type: none"> Replace blade. Tighten blade bolt. Set all wheels at same height. Clean underside of mower housing. |
| Excessive vibration | <ol style="list-style-type: none"> Worn, bent or loose blade. Bent engine crankshaft. | <ol style="list-style-type: none"> Replace blade. Tighten blade bolt. Contact a Sears or other qualified service centre. |
| Starter rope hard to pull | <ol style="list-style-type: none"> Engine flywheel brake is on when control bar is released. Bent engine crankshaft. Blade adapter broken. Blade dragging in grass. | <ol style="list-style-type: none"> Depress control bar to upper handle before pulling starter rope. Contact a Sears or other qualified service centre. Replace blade adapter. Move lawn mower to cut grass or to hard surface. |
| Grass catcher not filling (If so equipped) | <ol style="list-style-type: none"> Cutting height too low. Lift on blade worn off. Catcher not venting air. | <ol style="list-style-type: none"> Raise cutting height. Replace blade. Clean grass catcher. |
| Hard to push | <ol style="list-style-type: none"> Grass is too high or wheel height is too low. Rear of lawn mower housing or cutting blade dragging in grass. Grass catcher too full. Handle height position not right for you. | <ol style="list-style-type: none"> Raise cutting height. Raise rear of lawn mower housing one (1) setting higher. Empty grass catcher. Adjust handle height to suit. |
| Loss of drive or slowing of drive speed | <ol style="list-style-type: none"> Belt wear. Belt off of pulley. Drive cable worn or broken. "Loose" drive control system. | <ol style="list-style-type: none"> Check/replace drive belt. Check/reinstall drive belt. Replace drive cable. Adjust drive control. |

TROUBLESHOOTING - See appropriate section in manual unless directed to a Sears Parts & Repair Centre.

| PROBLEM | CAUSE | CORRECTION |
|-----------------------|---|--|
| Does not start | 1. Dirty air filter. | 1. Clean/replace air filter. |
| | 2. Out of fuel. | 2. Fill fuel tank. |
| | 3. Stale fuel. | 3. Empty fuel tank and refill tank with fresh, clean gasoline. |
| | 4. Water in fuel. | 4. Empty fuel tank and refill tank with fresh, clean gasoline. |
| | 5. Spark plug wire is disconnected. | 5. Connect wire to plug. |
| | 6. Bad spark plug. | 6. Replace spark plug. |
| | 7. Loose blade or broken blade adapter. | 7. Tighten blade bolt or replace blade adapter. |
| | 8. Control bar in released position. | 8. Depress control bar to handle. |
| | 9. Control bar defective. | 9. Replace control bar. |
| | 10. Fuel valve lever (if so equipped) in OFF position. | 10. Turn fuel valve lever to the ON position. |
| | 11. Weak battery (if equipped). | 11. Charge battery. |
| | 12. Disconnected battery connector (if equipped). | 12. Connect battery to engine. |
| | 13. Blown fuse (if equipped). | 13. Replace fuse. |
| Loss of power | 1. Rear of lawn mower housing or cutting blade dragging in heavy grass. | 1. Raise cutting height. |
| | 2. Cutting too much grass. | 2. Raise cutting height. |
| | 3. Dirty air filter. | 3. Clean/replace air filter. |
| | 4. Buildup of grass, leaves, and trash under mower. | 4. Clean underside of mower housing. |
| | 5. Too much oil in engine. | 5. Check oil level. |
| | 6. Walking speed too fast. | 6. Cut at slower walking speed. |

MAINTENANCE

| MAINTENANCE SCHEDULE | | BEFORE EACH USE | AFTER EACH USE | EVERY 10 HOURS | EVERY 25 HOURS OR SEASON | EVERY 100 HOURS | BEFORE STORAGE |
|-----------------------------|-------------------------------------|-----------------|----------------|----------------|--------------------------|-----------------|----------------|
| LAWN MOWER | Check for Loose Fasteners | ✓ | | | | | ✓ |
| | Clean / Inspect Grass Catcher * | ✓ | ✓ | | | | ✓ |
| | Check Tires | ✓ | | | | | |
| | Check Drive Wheels *** | ✓ | | | | | |
| | Clean Lawn Mower **** | | ✓ | | | | ✓ |
| ENGINE | Clean under Drive Cover *** | | | ✓ | | | |
| | Check Drive Belt / Pulleys *** | | | | ✓ | | |
| | Check / Sharpen / Replace Blade | | | | ✓ ₃ | | |
| | Lubrication | | | | ✓ | | |
| | Clean and Recharge Battery ** | | | | ✓ | | ✓ ₄ |
| ENGINE | Check Engine Oil level | ✓ ₅ | | | | | |
| | Change Engine Oil | | | | ✓ _{1,2} | | |
| | Clean Air Filter | | | | ✓ ₂ | | |
| | Inspect Muffler | | | | ✓ | | |
| | Replace Spark Plug | | | | | | ✓ |
| | Replace Air Filter Paper Cartridge | | | | | | ✓ ₂ |
| | Empty fuel system or add Stabilizer | | | | | | ✓ |

- * (if so equipped)
- ** Electric-Start mowers
- *** Power-Propelled mowers
- **** Use a scraper to clean under deck
- 1 - Change more often if operating under a heavy load or in high outdoor temperatures.
- 2 - Service more often if operating in dirty or dusty conditions.
- 3 - Replace blades more often when mowing in sandy soil.
- 4 - Charge 48 hours at end of season.
- 5 - And after each 5 hours of use.

GENERAL RECOMMENDATIONS

The warranty on this lawn mower does not cover items that have been subjected to operator abuse or negligence. To receive full value from the warranty, operator must maintain unit as instructed in this manual. Some adjustments will need to be made periodically to properly maintain your unit. At least once a season, check to see if you should make any of the adjustments described in the Service and Adjustments section of this manual.

- At least once a year, replace the spark plug, clean or replace air filter element and check blade for wear. A new spark plug and clean/new air filter element assure proper air-fuel mixture and help your engine run better and last longer.
- Follow the maintenance schedule in this manual.

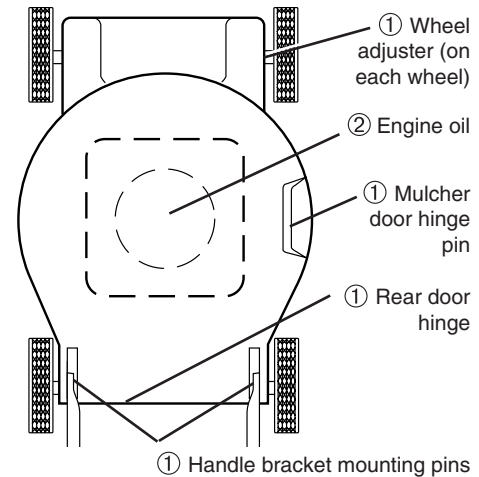
BEFORE EACH USE

- Check engine oil level.
- Check for loose fasteners.

LUBRICATION

Keep unit well lubricated (See "LUBRICATION CHART").

LUBRICATION CHART



- ① Spray lubricant
- ② See "ENGINE" in Maintenance section.

IMPORTANT: Do not oil or grease plastic wheel bearings. Viscous lubricants will attract dust and dirt that will shorten the life of the self-lubricating bearings. If you feel they must be lubricated, use only a dry, powdered graphite type lubricant sparingly.

LAWN MOWER

Always observe safety rules when performing any maintenance.

TIRES

- Keep tires free of gasoline, oil, or insect control chemicals which can harm rubber.
- Avoid stumps, stones, deep ruts, sharp objects and other hazards that may cause tire damage.

DRIVE WHEELS

Check rear drive wheels each time before you mow to be sure they move freely. The wheels not turning freely means trash, grass cuttings, etc. are in the drive wheel area and must be cleaned to free drive wheels. If necessary to clean the drive wheels, be sure to clean both rear wheels.

BLADE CARE

For best results, mower blade must be kept sharp. Replace a bent or damaged blade.

CAUTION: Use only a replacement blade approved by the manufacturer of your mower. Using a blade not approved by the manufacturer of your mower is hazardous, could damage your mower and void your warranty.

TO REMOVE BLADE

1. Disconnect spark plug wire from spark plug and place wire where it cannot come in contact with plug.
2. Turn lawn mower on its side. Make sure air filter and carburetor are up.
3. Use a wood block between blade and mower housing to prevent blade from turning when removing blade bolt.

NOTE: Protect your hands with gloves and/or wrap blade with heavy cloth.

4. Remove blade bolt by turning counter-clockwise.
5. Remove blade and attaching hardware (bolt, lock washer and hardened washer).

NOTE: Remove the blade adapter and check the key inside hub of blade adapter. The key must be in good condition to work properly. Replace adapter if damaged.

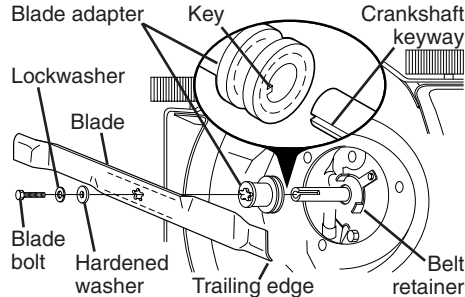
TO REPLACE BLADE

1. Position the blade adapter on the engine crankshaft. Be sure key in adapter and crankshaft keyway are aligned.
2. Position blade on the blade adapter.

IMPORTANT: To ensure proper assembly, center hole in blade must align with star on blade adapter.

3. Be sure the trailing edge of blade (opposite sharp edge) is up toward the engine.
 4. Install the blade bolt with the lock washer and hardened washer into blade adapter and crankshaft.
 5. Use block of wood between blade and lawn mower housing and tighten the blade bolt, turning clockwise.
- The recommended tightening torque is 35–40 ft. lbs.

IMPORTANT: Blade bolt is heat treated. If bolt needs replacing, replace only with approved bolt shown in the Repair Parts section of this manual.



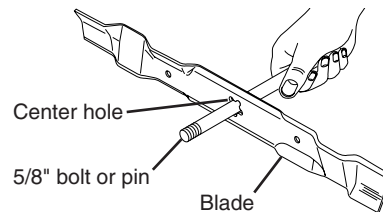
TO SHARPEN BLADE

NOTE: We do not recommend sharpening blade - but if you do, be sure the blade is balanced. An unbalanced blade will cause eventual damage to lawn mower or engine.

- The blade can be sharpened with a file or on a grinding wheel. Do not attempt to sharpen while on the mower.
- To check blade balance, you will need a 5/8" diameter steel bolt, pin, or a cone balancer. (When using a cone balancer, follow the instructions supplied with balancer.)

NOTE: Do not use a nail for balancing blade. The lobes of the center hole may appear to be centered, but are not.

- Slide blade on to an unthreaded portion of the steel bolt or pin and hold the bolt or pin parallel with the ground. If blade is balanced, it should remain in a horizontal position. If either end of the blade moves downward, sharpen the heavy end until the blade is balanced.



ENGINE

FUEL SYSTEM

IMPORTANT: It is important to prevent gum deposits from forming in essential fuel system parts such as carburetor, fuel filter, fuel hose, or tank during storage. Alcohol blended fuels (called gasohol or using ethanol or methanol) can attract moisture which leads to separation and formation of acids during storage. Acidic gas can damage the fuel system of an engine while in storage.

- Empty the fuel tank by starting the engine and letting it run until the fuel lines and carburetor are empty.
- Never use engine or carburetor cleaner products in the fuel tank or permanent damage may occur.
- Use fresh fuel next season.

NOTE: Fuel stabilizer is an acceptable alternative in minimizing the formation of fuel gum deposits during storage. Add stabilizer to gasoline in fuel tank or storage container. Always follow the mix ratio found on stabilizer container. Run engine at least 10 minutes after adding stabilizer to allow the stabilizer to reach the carburetor. Do not empty the gas tank and carburetor if using fuel stabilizer.

NOTE: FRESH START™ fuel cap and cartridge system automatically drips concentrated fuel preserver into your fuel tank and is an acceptable alternative to adding fuel stabilizer.

ENGINE OIL

Drain oil (with engine warm) and replace with clean engine oil. (See "ENGINE" in the Maintenance section of this manual).

CYLINDER

1. Remove spark plug.
2. Pour one ounce (29 ml) of oil through spark plug hole into cylinder.
3. Pull starter handle slowly a few times to distribute oil.
4. Replace with new spark plug.

BATTERY

Disconnect the battery from the engine connector and charge battery 48 hours.

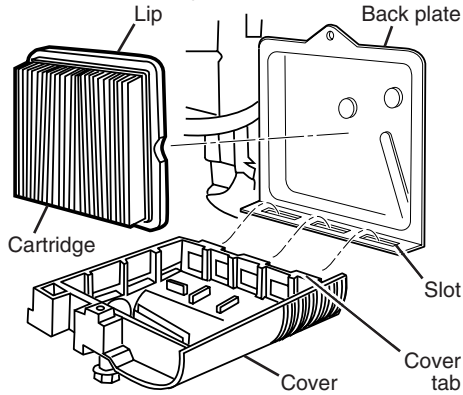
OTHER

- Do not store gasoline from one season to another.
- Replace your gasoline can if your can starts to rust. Rust and/or dirt in your gasoline will cause problems.
- If possible, store your unit indoors and cover it to protect it from dust and dirt.
- Cover your unit with a suitable protective cover that does not retain moisture. Do not use plastic. Plastic cannot breathe, which allows condensation to form and will cause your unit to rust.

IMPORTANT: Never cover mower while engine and exhaust areas are still warm.

CAUTION: Never store the lawn mower with gasoline in the tank inside a building where fumes may reach an open flame or spark. Allow the engine to cool before storing in any enclosure.

- CAUTION:** Petroleum solvents, such as kerosene, are not to be used to clean cartridge. They may cause deterioration of the cartridge. Do not oil cartridge. Do not use pressurized air to clean or dry cartridge.
4. Install cartridge, then replace cover making sure the tabs are aligned with the slots in the back plate. Fasten screw securely.



MUFFLER

Inspect and replace corroded muffler as it could create a fire hazard and/or damage.

SPARK PLUG

Replace spark plug at the beginning of each mowing season or after every 100 hours of operation, whichever occurs first. Spark plug type and gap setting are shown in the "PRODUCT SPECIFICATIONS" section of this manual.

CLEANING

IMPORTANT: For best performance, keep mower housing free of built-up grass and trash. Clean the underside of your mower after each use.

CAUTION: Disconnect spark plug wire from spark plug and place wire where it cannot come in contact with plug.

- Clean the underside of your lawn mower by scraping to remove build-up of grass and trash.
- Clean engine often to keep trash from accumulating. A clogged engine runs hotter and shortens engine life.
- Keep finished surfaces and wheels free of all gasoline, oil, etc.
- We do not recommend using a garden hose to clean lawn mower unless the electrical system, muffler, air filter and carburetor are covered to keep water out. Water in engine can result in shortened engine life.

WATER WASHOUT FEATURE

Your lawn mower is equipped with a fitting that allows quick and easy cleaning of the underside of the housing. To use this feature, proceed as follows:

1. Move lawn mower to an area of cut grass or another hard surface.

NOTE: Water, grass and other debris will drain from beneath the mower housing during the washout process.

2. Remove grass catcher and discharge chute assembly from lawn mower.
3. Close mulcher door (if equipped).
4. Connect a garden hose to the fitting where shown.

IMPORTANT: Be sure the garden hose is not routed under the lawn mower housing or entangled in the wheels.

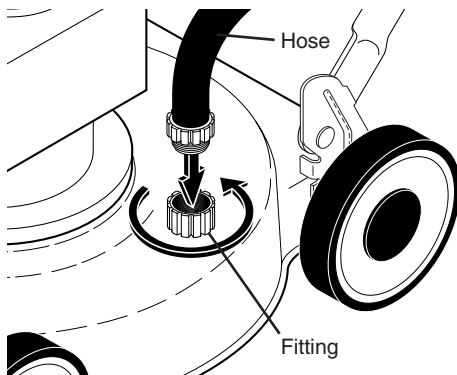
5. Turn on water supply and check for leaks at the fitting.

If no leaks are present, start engine (as described in the Operation section of this manual) and let engine run until the underside of the lawn mower is clean.

- WARNING:** Do not engage the drive system during the washout process.
6. Shut off the engine.
 7. Shut off water supply and remove hose from fitting.

CAUTION: Do not remove hose from fitting while engine is running. Water in engine can result in shortened engine life.

8. Start engine (as described in the Operation section of this manual) and let engine run for a full minute to remove excess water from mower.



CLEAN UNDER DRIVE COVER

Clean under drive cover at least twice a season. Scrape underside of cover with putty knife or similar tool to remove any build-up of trash or grass on underside of drive cover.

SERVICE AND ADJUSTMENTS

WARNING: To avoid serious injury, before performing any service and adjustments:

1. Release control bar and stop engine.
2. Make sure the blade and all moving parts have completely stopped.
3. Disconnect spark plug wire from spark plug and place wire where it cannot come in contact with plug.

LAWN MOWER

TO ADJUST CUTTING HEIGHT

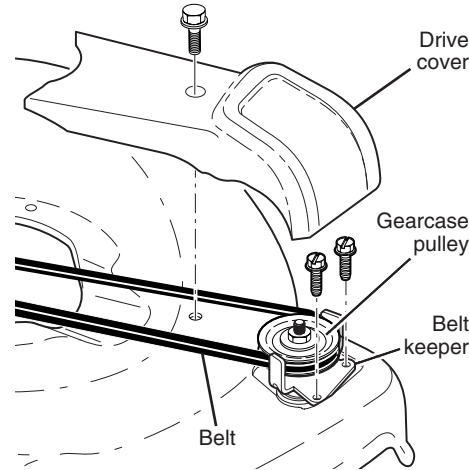
See "TO ADJUST CUTTING HEIGHT" in the Operation section of this manual.

REAR DEFLECTOR

The rear deflector, attached between the rear wheels of your mower, is provided to minimize the possibility that objects will be thrown out of the rear of the mower into the operator mowing position. If the deflector becomes damaged, it should be replaced.

TO REMOVE DRIVE BELT

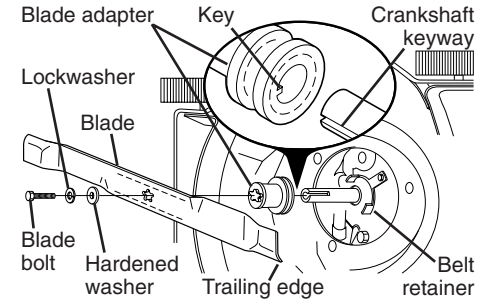
1. Remove drive cover and belt keeper.
2. Remove belt from gearcase pulley.
3. Turn lawn mower on its side with air filter and carburetor down.
4. Remove blade and blade adapter.
5. Remove belt from engine pulley.



TO REPLACE DRIVE BELT

1. Place new drive belt on engine pulley, inside tabs of belt retainer.
2. Route the other end of the new drive belt through hole in housing.
3. Reinstall blade adapter and blade.
4. Return mower to upright position.
5. Install new belt on gearcase pulley.

6. Reinstall belt keeper and drive cover.
- NOTE:** Always use factory approved belt to assure proper fit and long life.



TO ADJUST HANDLE

Your handle has three (3) height positions - adjust to a height that suits you.

1. Remove knob and carriage bolt on one side of the lower handle.
2. While holding handle assembly, remove knob and carriage bolt from opposite side, align hole in handle with desired hole in handle bracket and reassemble bolt and knob and tighten securely.
3. Align opposite side of handle with same positioning hole and secure with bolt and knob.

