

Carb.  
Repair  
Kit

Gasket/  
Dia.  
Kit

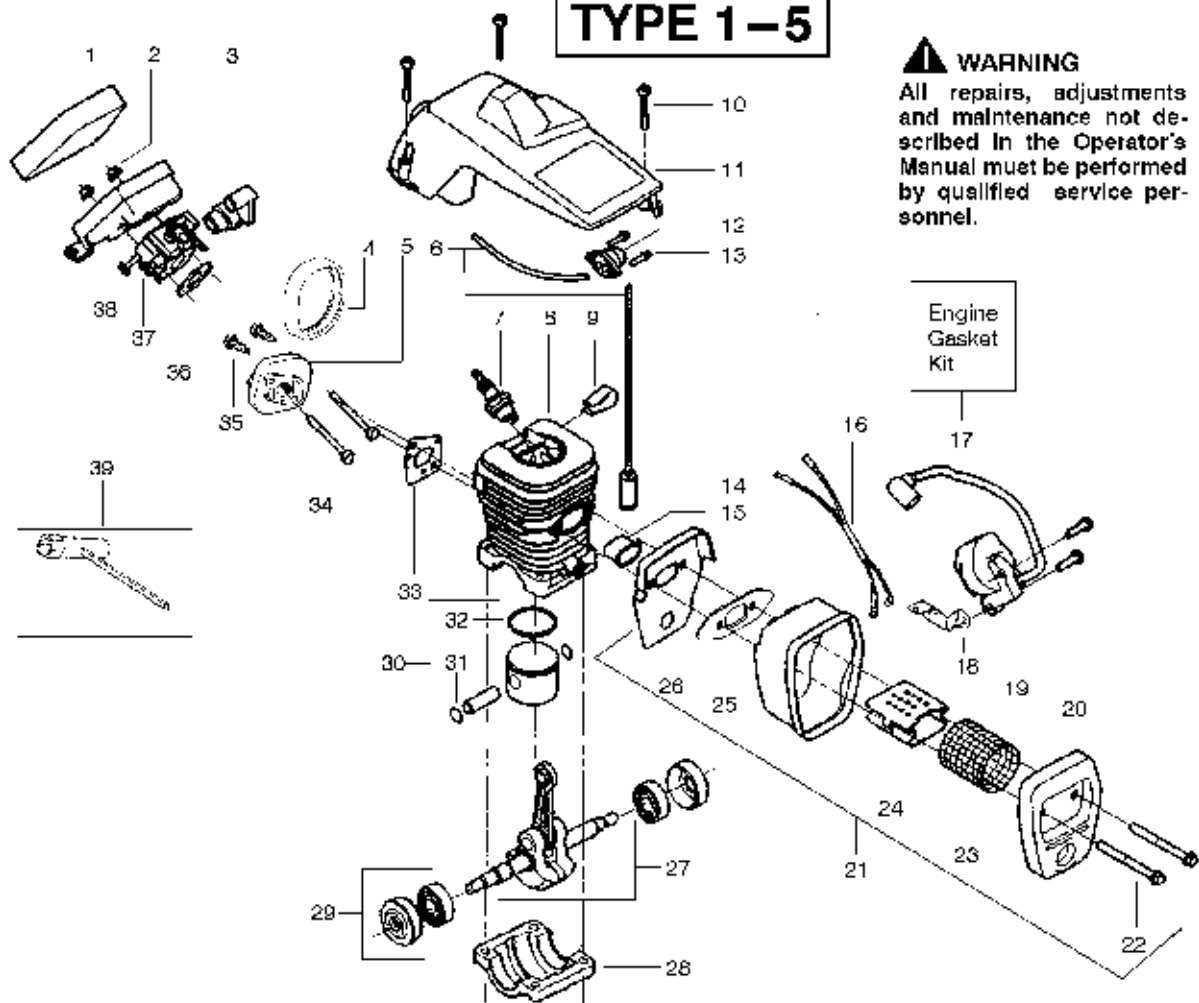
3

4

Ref #	Part Number	Qty.	Description
	530069703		Carburetor Assembly (WT324)
1	530038479		Limitter Cap-High
2	530038478		Limitter Cap-Low
3	530069826		Carburetor Repair Kit
4	530069844		Gasket Diaphragm Kit
5	530035383		Needle-Low Speed
6	530035293		Needle Spring-Low Speed
7	530035384		Needle-High Speed
8	530035295		Needle Spring-High Speed

# TYPE 1-5

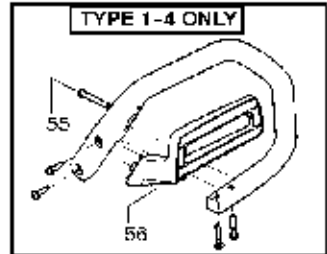
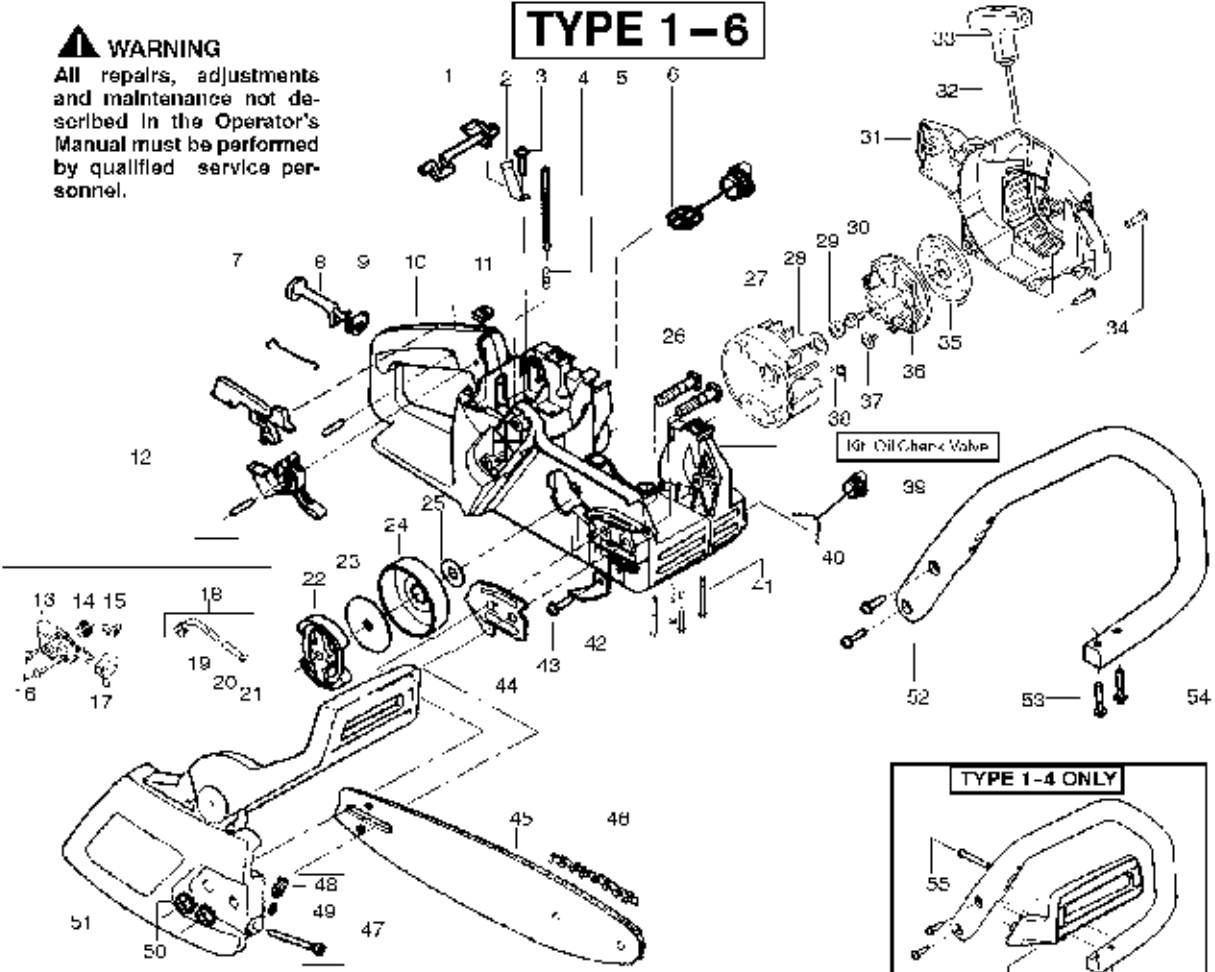
**⚠ WARNING**  
 All repairs, adjustments and maintenance not described in the Operator's Manual must be performed by qualified service personnel.



Ref #	Part Number	Qty.	Description
1	530037793		Foam- Air Filter
2	530016101		Nut
3	530035526		Grommet-Carb Adjust
4			Seal-Carb Adapter
5	530049700		Carb. Adapter
6	530069247		Fuel Line Kit
7	952030150		Spark Plug
8	530069606		Cylinder Kit
8	530069607		Cylinder Kit
9	530016136		Clip-High Tension Lead
10	530016153		Screw
11	530069964		Cylinder Shield
11	530049227		Cylinder Shield
12	530047213		Air Purge Ass'y.
13	530015780		Screw
14	530095646		Fuel Pick-up Ass'y.
15	530037652		Heat Insulator
16	530052296		Assy. -Wire Harness
17	530069608		Kit-Engine Gasket
18	530047442		Strap-Ground
19	530039167		Module- Ignition
20	530015814		Screw
21	530047207		Assy-Muffler
22	530016132		Screw
23	530036103		Screen-Spark
24	530037813		Diffuser-Muffler
25	530069608		Gasket-Muffler
26	530049870		Backplate-Muffler
27	530047062		Assy. - Crankshaft
28	530037935		Cap-Crankcase
29	530056363		Assy.-Seal & Bearing
30	530069604		Kit-Piston
30	530069605		Kit-Piston
31	530015697		Retainer-Piston Pin
32	530029805		Ring - Piston
32	530038729		Ring - Piston
33	530069608		Gasket - Carb. Adapter
34	530016187		Screw
35	530016386		Screw
36	530069608		Gasket - Carburetor
37	530069703		Kit-Carburetor
38	530037804		Housing- Air Filter
39	530031163		Wrench - Bar
	530087857		Operator Manual
	530163649		Operator Manual
	530038257		Decal Instruction
	530038486		Decal Stop

**WARNING**  
All repairs, adjustments and maintenance not described in the Operator's Manual must be performed by qualified service personnel.

**TYPE 1-6**



Ref #	Part Number	Qty.	Description
1	530038227		Lever-Switch
2	530016149		Spring-Switch
3	530015775		Screw
4	530069216		Kit-Fuel Line
5	530023877		Fitting
6	530047192		Assy-Fuel Cap
7	530037809		Wire-Throttle
8	530047989		Lever-Choke
9	530038406		Grommet-Choke Knob
10	530069822		Assy-Chassis
11	530015922		Nut-Speed
12	530071305		Kit-Trigger & Lockout
13	530071259		Kit-Oil Pump
14	530037820		Gear-Worm Spring
15	530049477		Elbow-Oil Pickup
16	530016064		Screw
17	530019206		Seal Block
18	530047663		Assy-Oil-Pickup
19	530038373		Pickup-Oiler
20	530037821		Filter-Oil
21	530030189		Plug-Oil Filter
22	530014949		Assy. - Clutch
23	530015611		Washer-Clutch
24	530047061		Assy-Drum W/brg.
25	530015907		Washer - Thrust
26	530016133		Bolt-Bar Mounting
27	530039209		Assy-Flywheel
28	530015127		Washer-Flywheel
29	530016134		Nut-Flywheel
30	530015920		Screw
31	530049334		Housing-Fan
31	530049337		Housing-Fan
32	530069232		Kit-Rope
33	530037485		Handle-Starter
34	530015892		Screw
35	530027531		Spring-Starter
36	530037817		Pulley-Starter
37	530016080		Screw
38	530023817		Spring - Starter Dog
39	530071666		Kit-Oil Check Valve
40	530010846		Assy-Oil Cap
41	530016132		Screw
42	530029850		Chain Catcher
43	530015814		Screw
44	530038238		Plate-Bar Mounting
45	952044368		Bar-14"
	952044370		Bar-16"
	952044418		Bar-18"
46	952051209		Chain-14"
	952051211		Chain-16"
	952051338		Chain-18"
47	530069611		Kit-Bar Adjust
48	530015826		Pin-Bar Adjust
49	530038593		Retainer-Bar Adjust
50	530015917		Nut-Bar Mounting
51	530054735		Assy-Chain Brake
51	530054740		Assy-Chain Brake
52	530015814		Screw
53	530015940		Screw
54	530056798		Handle-Front



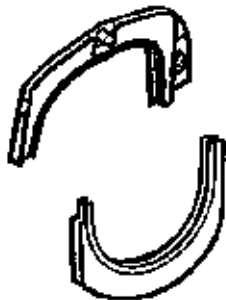
Ref #	Part Number	Qty.	Description
54	530056798		Handle-Front
55	530016020		Bolt-Handguard
56	530038224		Handguard

\*\*\*\*\* **Service Reference** \*\*\*\*\*

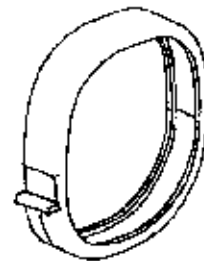
Note: Your chain saw may have either a one or two piece seal. Please note the two piece seal is no longer available, and you will need to order the one piece seal as a replacement.

Page 10 of 11

Two Piece Seal



One Piece Seal



If your saw has the one or two piece seal, order the **530054144** seal.