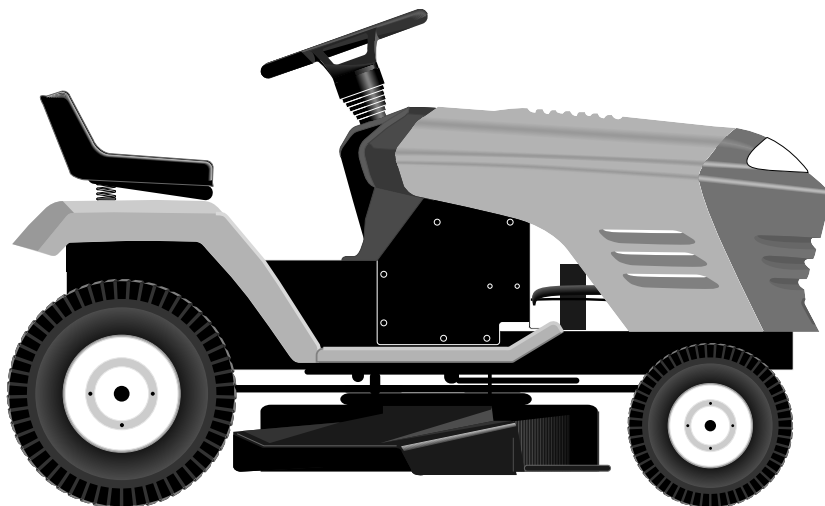


SEARS
OWNER'S
MANUAL

MODEL NO.
944.600871

Caution:
Read and follow
all Safety Rules
and Instructions
Before Operating
This Equipment

EZ³



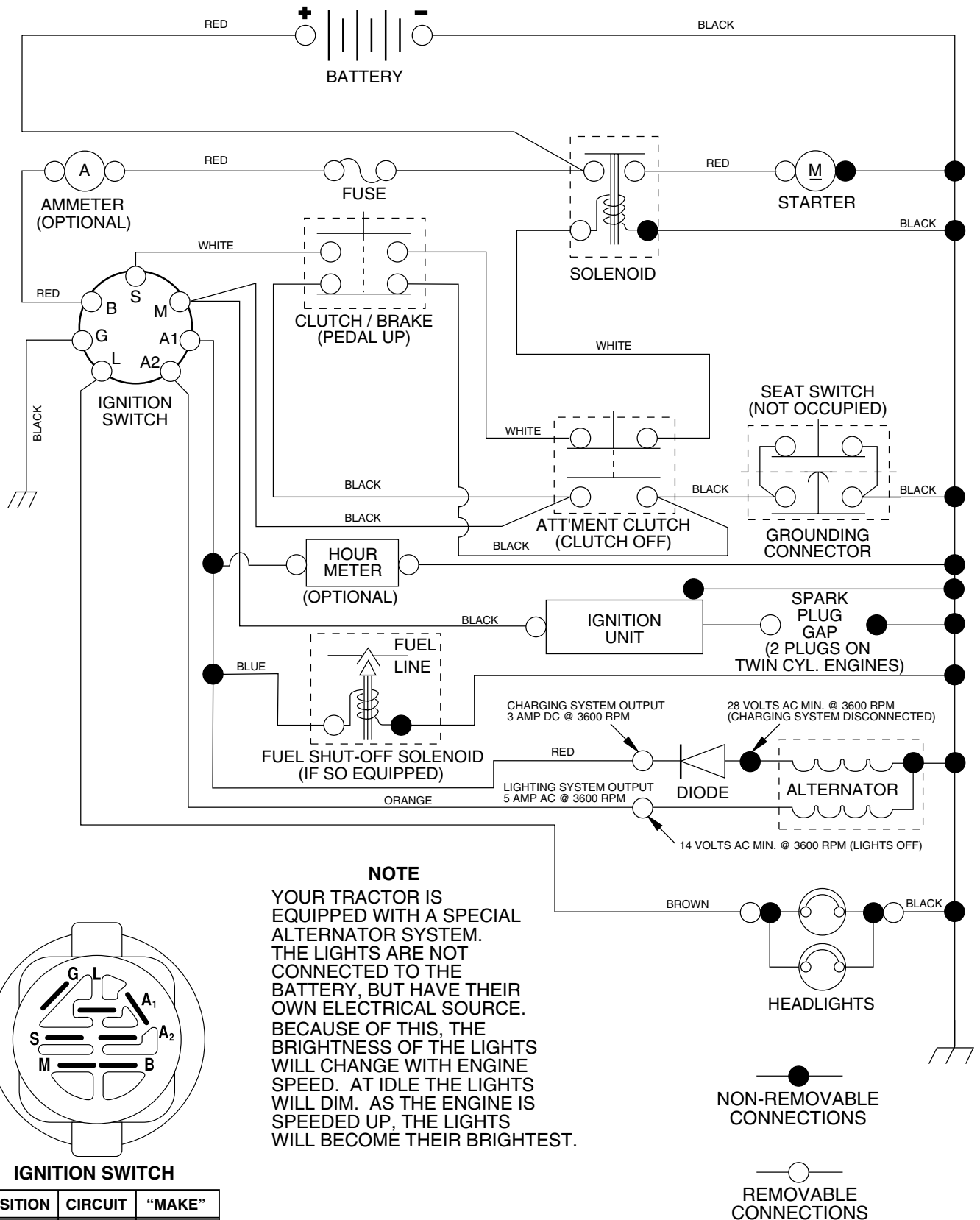
CRAFTSMAN®

**17.0 HP
ELECTRIC START
42" MOWER
AUTOMATIC
LAWN TRACTOR**

- Assembly
- Operation
- Customer Responsibilities
- Service and Adjustments
- Repair Parts

TRACTOR - - MODEL NUMBER 944.600871

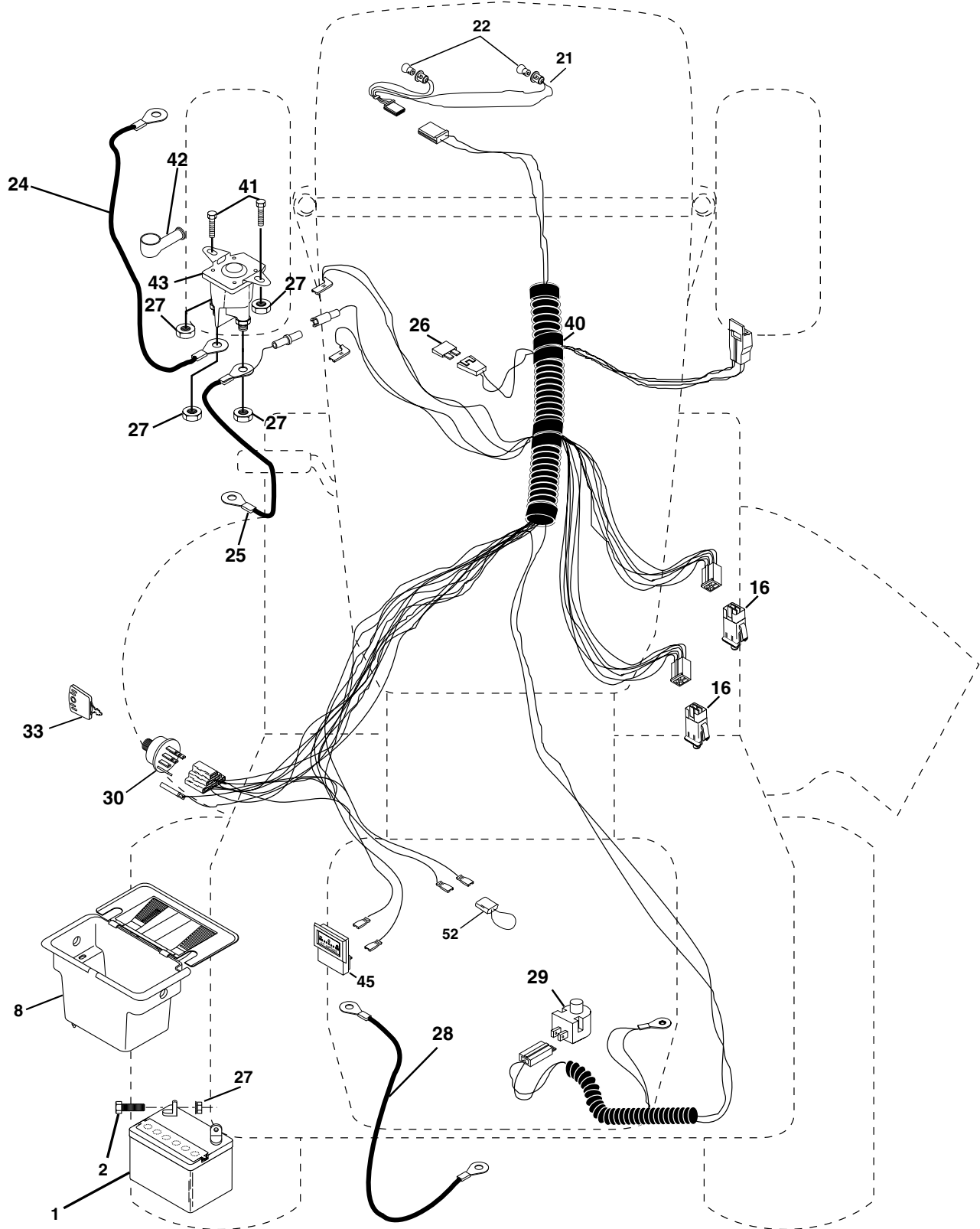
SCHEMATIC



REPAIR PARTS

TRACTOR - - MODEL NUMBER 944.600871

ELECTRICAL



REPAIR PARTS

TRACTOR - - MODEL NUMBER 944.600871

ELECTRICAL

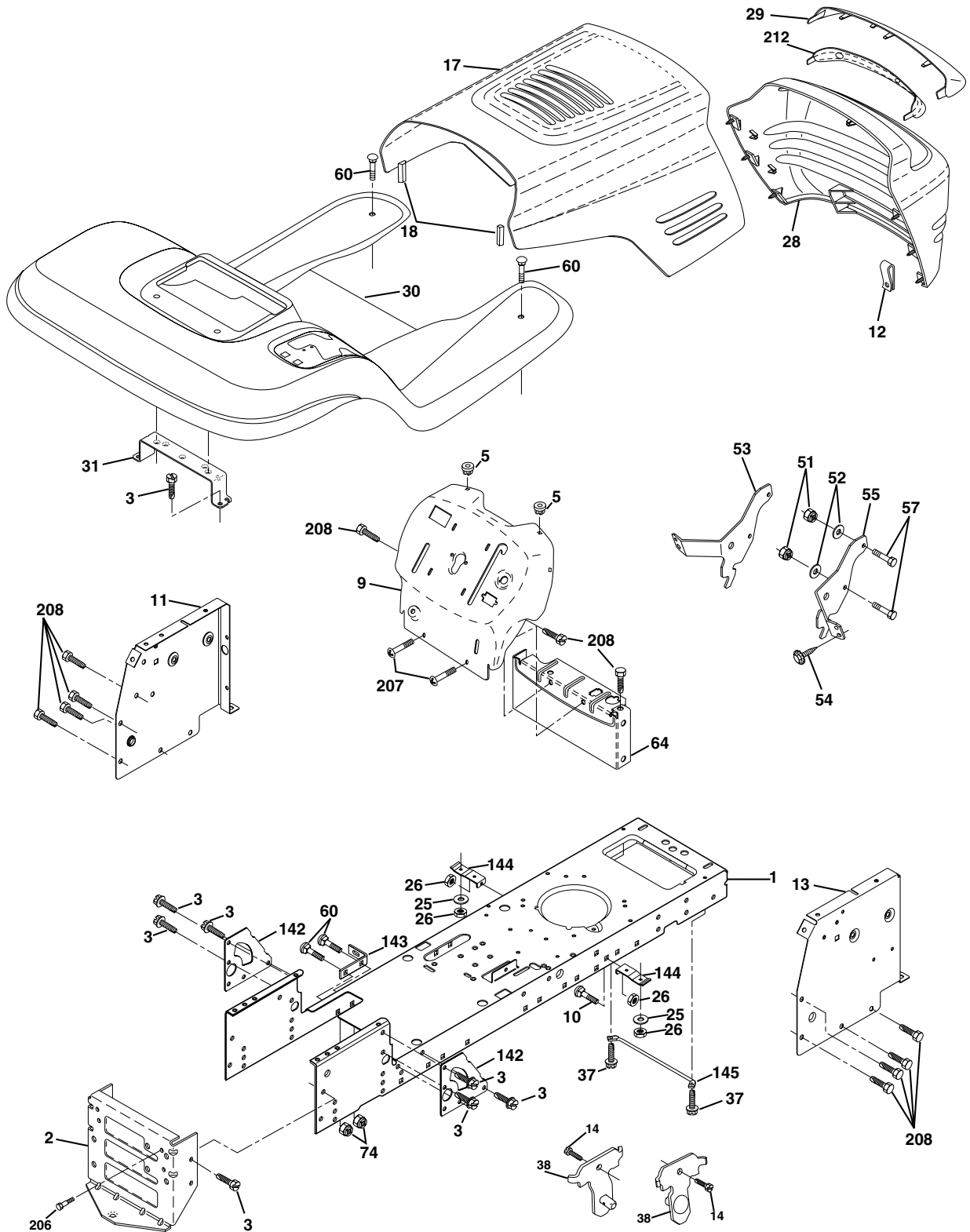
KEY NO.	PART NO.	DESCRIPTION
1	144925	Battery
2	74760412	Bolt Hex Hd 1/4-20unc X 3/4
8	156417	Case Battery Mech Hinge
16	153664	Switch Interlock Push-In
21	166182	Harness Asm Light W/4152J
22	4152J	Bulb Light #1156
24	4799J	Cable Battery 6 Ga 11"red
25	146147	Cable Battery 6 Ga w/16 wire,red
26	166180	Fuse 15 AMP
27	73510400	Nut Kep Hex 1/4-20
28	4207J	Cable Ground 6 Ga 12" black
29	121305X	Switch Plunger Nc Gray
30	163968	Switch Ign
33	140403	Key Ign
40	170217	Harness Ign
41	71110408	Bolt Blk Fin Hex 1/4-20unc X 1/2
42	131563	Cover Terminal Red
43	145673	Solenoid
45	121433X	Ammeter
52	141940	Protection Wire Loop (Hourmeter)

NOTE: All component dimensions give in U.S. inches
1 inch = 25.4 mm.

REPAIR PARTS

TRACTOR - - MODEL NUMBER 944.600871

CHASSIS AND ENCLOSURES



REPAIR PARTS

TRACTOR - - MODEL NUMBER 944.600871

CHASSIS AND ENCLOSURES

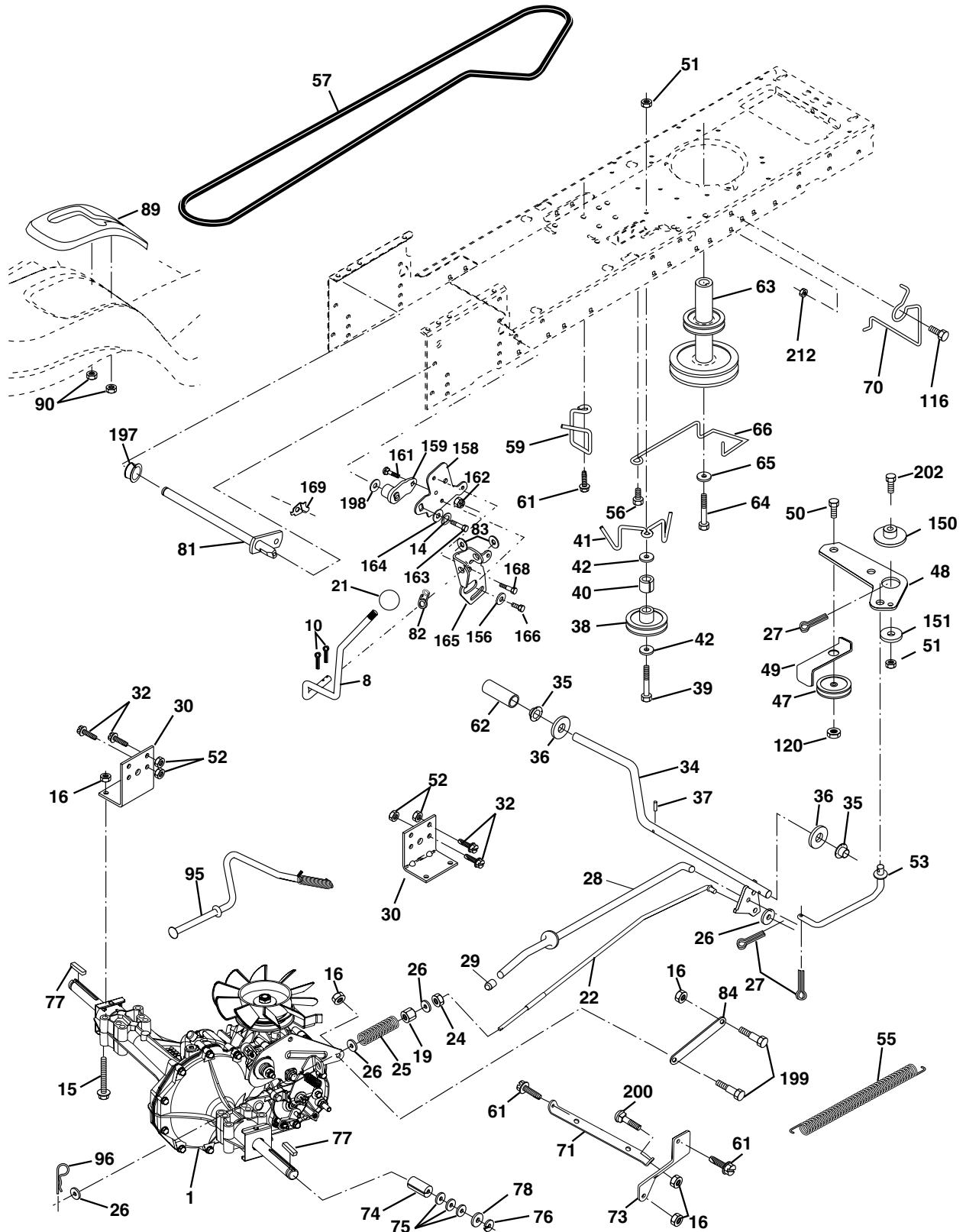
KEY NO.	PART NO.	DESCRIPTION
1	169830	Chassis
2	169061	Drawbar
3	17060612	Screw 3/8-16x3/4
4	STD551025	Washer 13/32 x 3/4 x 16 Ga.
5	155272	Bumper Hood/Dash
9	168337X011	Dash P/L M, W/AMM N/HM
10	STD533710	Bolt Carriage 3/8-16 x 1
11	155927	Panel Dash Lh
12	145660	Clip Tinnerman Grille P/L
13	172107X010	Panel Dash Rh
17	144983X558	Hood
18	126938X	Bumper Hood
25	19131312	Washer 13/32 X 13/16 X 12 Ga
26	STD541437	Nut Lock Hex W/Ins 3/8-16 Unc
28	156725X558	Grille/Lens Asm
29	155217X599	Lens Grille
30	164918X558	Fender Footrest STLT Pnt
31	139976	Bracket Support Fender
37	17490508	Screw Thdrol 6/16-18 x 1/2 TYT
38	169834	Bracket, Asm. Pivot, Mower Rear
51	73800400	Nut Lock Hex W/Ins 1/4-20
52	19091416	Washer 9/32 x 7/8 x 16 Ga.
53	145201	Bracket Grille Pick off L.H.
54	161464	Screw Hex Wshd 8-18 x 7/8
55	145202	Bracket Grille Pickoff R.H.
57	74780412	Bolt Hex 1/4-20 x 3/4
60	STD533707	Bolt Rdhd Sqnk 3/8-16unc x 3/4
64	154798	Dash Lower STLT
74	STD541437	Nut Crownlock 3/8-16 UNC
142	165867	Plate Reinforcement STLT
143	154966	Bracket Swaybar Chassis
144	154207	Bracket Pnt Footrest STLT
145	156524	Rod Pivot Chassis/Hood
206	170165	Bolt Shoulder 5/16-18 UNC
207	17670508	Screw Thdrol 5/16-18 x 1/2
208	17670608	Screw Thdrol 3/8-16 x 1/2
212	165919	Insert Lens Reflective
--	5479J	Plug Button

NOTE: All component dimensions given in U.S. inches
1 inch = 25.4 mm

REPAIR PARTS

TRACTOR - - MODEL NUMBER 944.600871

DRIVE



REPAIR PARTS

TRACTOR - - MODEL NUMBER 944.600871

DRIVE

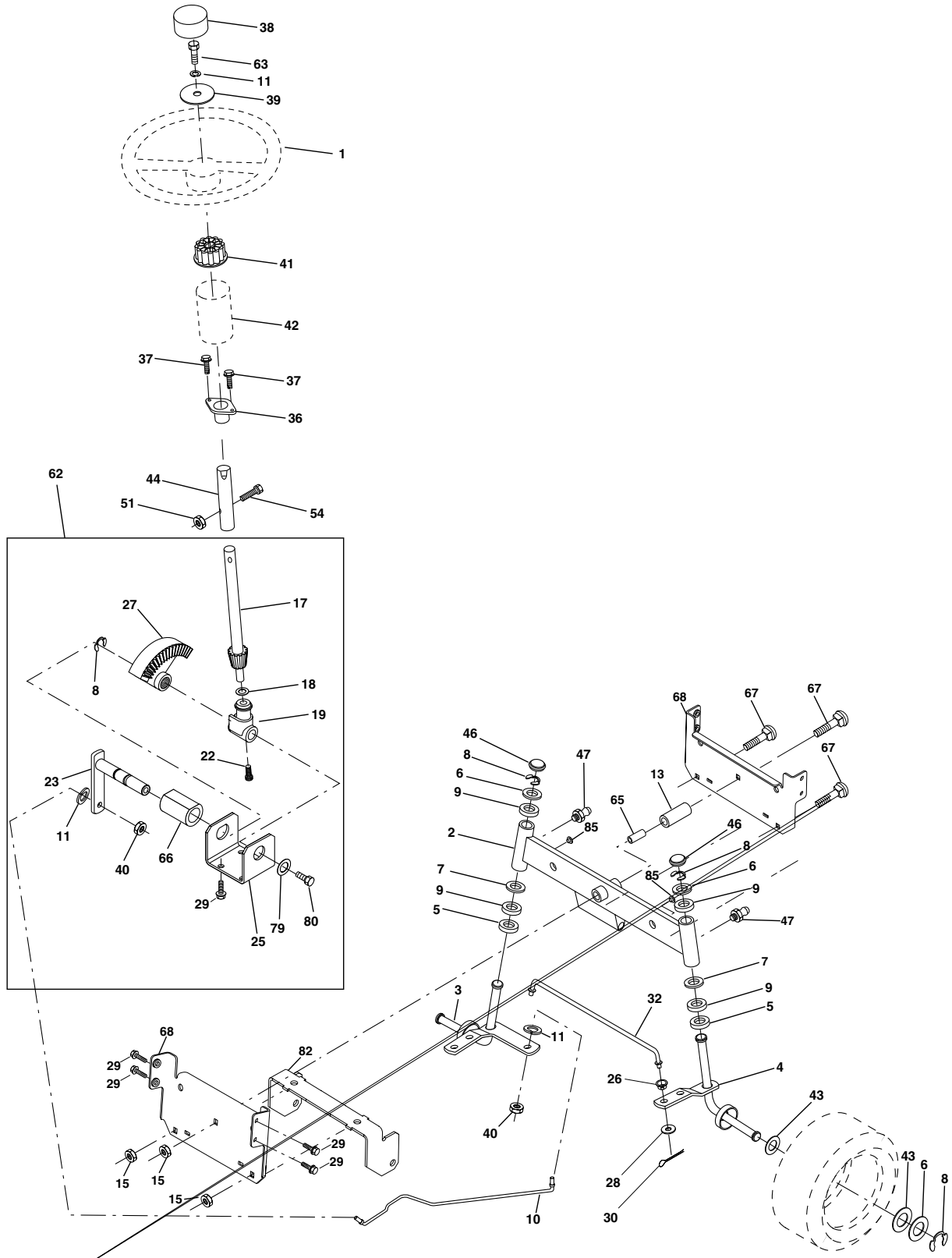
KEY NO.	PART NO.	DESCRIPTION	KEY NO.	PART NO.	DESCRIPTION
1	-----	Transaxle (See Breakdown) Hydro Gear Model 314-0510	64	71170764	Bolt, Hex
8	165866	Rod Shift	65	STD551143	Washer
10	STD561210	Pin Cotter 1/8 x 1 CAD	66	154778	Keeper Belt Engine
14	10040400	Washer Lock Hvy. Helical 1/4	70	134683	Keeper Belt Engine
15	74490544	Bolt, Hex FLGHD 5/16-18 Gr. 5	71	169183	Strap Torque Lh
16	STD541431	Nut Lock Hex W/Ins 5/16-18 Unc P	72	19132012	Washer 13/32 x 1-1/4 x 12 Gauge
18	STD523710	Bolt Fin Hex 3/8-16 Unc x 1 Gr. 5	73	169182	Strap Torque Rh
19	STD541437	Nut Lock Hex W/Wsh 3/8-16 Unc	74	169496	Spacer, Axle
21	130564	Knob, Deluxe 1/2-13	75	121749X	Washer 25/32 x 1-1/4 x 16 Gauge
22	169498	Rod, Brake	76	STD581075	E-Ring
24	STD541273	Nut	77	123583X	Key, Square
25	106888X	Spring, Brake Rod	78	121748X	Washer 25/32 x 1-5/8 x 16 Gauge
26	STD551037	Washer	81	165596	Shaft Asm. Cross
27	STD561210	Pin Cotter 1/8 x 3/4 CAD.	82	165711	Spring Torsion
28	145204	Rod, Parking Brake	83	19171216	Washer 17/32 x 3/4 x 16 Ga.
29	71673	Cap, Parking Brake	84	169594	Link, Transaxle
30	169592	Bracket, Transaxle	89	164890X428	Console, Shift
32	STD523107	Bolt Hex Hd 5/16-18 Unc x 3/4	90	124346X	Nut Self Thd Wsh-Hd 1/4 Zinc
34	155071	Shaft, Foot Pedal	95	170201	Control Asm Bypass Hydro
35	120183X	Bearing, Nylon	96	STD624003	Retainer Spring 1" Zinc/Cad
36	STD551062	Washer	116	72110610	Bolt Rdhd Sq. Neck 3/8-16 x 1.25
37	STD571810	Pin, Roll	150	165850	Bushing Bellcrank Grd Drive
38	131494	Pulley, Idler, Flat	151	19133210	Washer 13/32 x 2 x 10 Ga.
39	72110622	Bolt	156	166002	Washer Srrted 5/16 ID x 1 x .125
40	4470J	Spacer, Split	158	165589	Bracket Shift Mount
41	165838	Keeper, Belt Retainer	159	165494	Hub Tapered Flange Shift LT
42	19131312	Washer 13/32 x 13/16 x 12 Gauge	161	72140406	Bolt Rdhd Sqnk 1/4-20 x 3/4 Gr. 5
47	127783	Pulley, Idler, V-Groove	162	73680400	Nut Crownlock 1/4-20 Unc
48	154407	Bellcrank Clutch Grnd Drv STL	163	74780416	Bolt Hex Fin 1/4-20 Unc x 1 Gr. 5
49	123205X	Retainer, Belt	164	19091010	Washer 5/8 x .281 x 10 Ga.
50	STD523715	Bolt	165	165623	Bracket Pivot Lever
51	STD541437	Nut Crownlock 3/8-16 UNC	166	166880	Screw 5/16-18 x 5/8
52	STD541431	Nut Crownlock 5/16-18 UNC	168	165492	Bolt Shoulder 5/16-18 x .561
53	105710X	Link, Clutch	169	165580	Plate Fastening LT
55	105709X	Spring, Return, Clutch	197	169613	Nyliner Snap-In 5/8" ID
56	STD523712	Bolt Fin Hex 3/8-16 UNC x 1-1/4	198	169593	Washer Nyl 7/8 ID x .105"
57	140294	V-Belt, Ground Drive	199	169612	Bolt Shoulder 5/16-18 UNC
59	169691	Keeper, Center Span	200	72140508	Bolt Rdhd Sqnk 5/16-18 UNC x 1
61	17060612	Screw 3/8-16 x 3/4	202	72110612	Bolt Carr Sh 3/8-16 x 1-1/2 Gr. 5
62	8883R	Cover, Pedal			
63	140186	Pulley, Engine			

NOTE: All component dimensions given in U.S. inches
1 inch = 25.4 mm

REPAIR PARTS

TRACTOR - - MODEL NUMBER 944.600871

STEERING ASSEMBLY



REPAIR PARTS

TRACTOR - - MODEL NUMBER 944.600871

STEERING ASSEMBLY

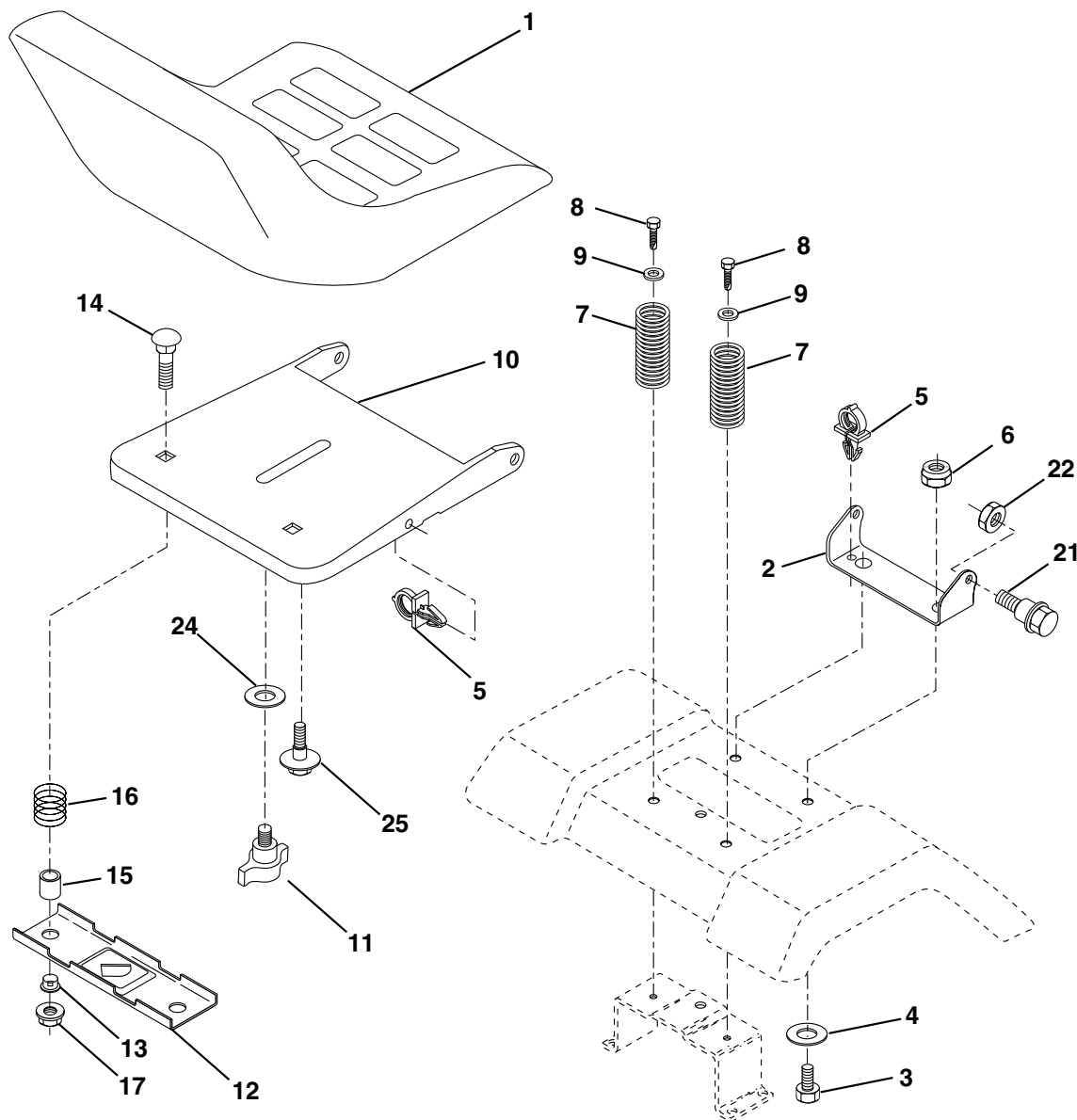
KEY NO.	PART NO.	DESCRIPTION
1	139768	Wheel Steering
2	154427	Axle Asm STMP Dropped STL
3	169840	Spindle Asm LH
4	169839	Spindle Asm RH
5	6266H	Bearing Race Thrust Harden
6	121748X	Washer 25/32 X 1-5/8 X 16 Ga
7	19272016	Washer 27/32 X 1-1/4 X 16 Ga
8	12000029	Ring Klip #t5304-75
9	3366R	Bearing Col Strg Blk
10	169832	Link Drag
11	STD551137	Washer Lock Hvy Hlcl Spr 3/8
13	136518	Spacer Brg Axle Front
15	145212	Nut Hex Flange Lock
17	156546	Shaft Asm Strg
18	57079	Washer Thrust 515x 750x 033
19	160395	Support Shaft
22	165857	Screw Hex Wshhd Torx
23	165851	Shaft Asm Pittman
25	154406	Bracket Steering
26	126847X	Bushing Link Drag Blk LR
27	136874	Gear Sector
28	19131416	Washer 13/32 X 7/8 X 16 Ga
29	17060612	Screw 3/8-16x3/4
30	STD561210	Pin Cotter 1/8 X 3/4 Cad
32	130465	Rod Tie Wire Form 19 75 Mech
36	155099	Bushing Strg
37	152927	Screw
38	139769	Insert Cap Strg Wh Au
39	19133812	Washer 13/32 X 2-3/8 X 12 Ga
40	STD541537	Lock nut
41	100711L	Adaptor Wheel Strg
42	145054X428	Boot Steering Shaft
43	121749X	Washer 25/32 X 1 1/4 X 16 Ga
44	153720	Extension Steering Shaft LR/LT
46	121232X	Cap Spindle Fr Top Blk
47	6855M	Fitting Grease
51	STD541431	Nut Lock Hex w/Ins 5/16-18
54	STD523112	Bolt Fin Hex 5/16-18 Unc x 1-1/4
62	167902	Kit, Steering Assembly Svc
63	STD523710	Bolt Fin Hex 3/8-16unc x 1 Gr. 5
65	160367	Spacer Brace Axle
66	154404	Bearing Arm Pittman
67	72140618	Bolt, Rdhd Sq 3/8-16 UNC x 2-1/4
68	169827	Axle, Brace
79	19132012	Washer 13/32 x 1-1/4 x 12 Ga.
80	74950612	Bolt Hex Nylon 3/8-16 x 3/4
82	169835	Bracket Susp Chassis Front
85	133835	Fastener Christmas Tree

NOTE: All component dimensions given in U.S. inches
1 inch = 25.4 mm

REPAIR PARTS

TRACTOR - - MODEL NUMBER 944.600871

SEAT ASSEMBLY



KEY NO.	PART NO.	DESCRIPTION
1	140123	Seat
2	140551	Bracket Pivot Seat 8 720
3	71110616	Bolt Fin Hex 3/8-16unc X 1
4	19131610	Washer 13/32 X 1 X 10 Ga
5	145006	Clip Push-In
6	STD541437	Nut Hex w/Ins. 3/8-16 Unc
7	124181X	Spring Seat Cprsn 2 250 Blk Zi
8	17000616	Screw 3/8-16 X 1-1/2
9	19131614	Washer 13/32 X 1 X 14 Ga.
10	155925	Pan Seat
11	166369	Knob Seat
12	121246X	Bracket Mounting Switch

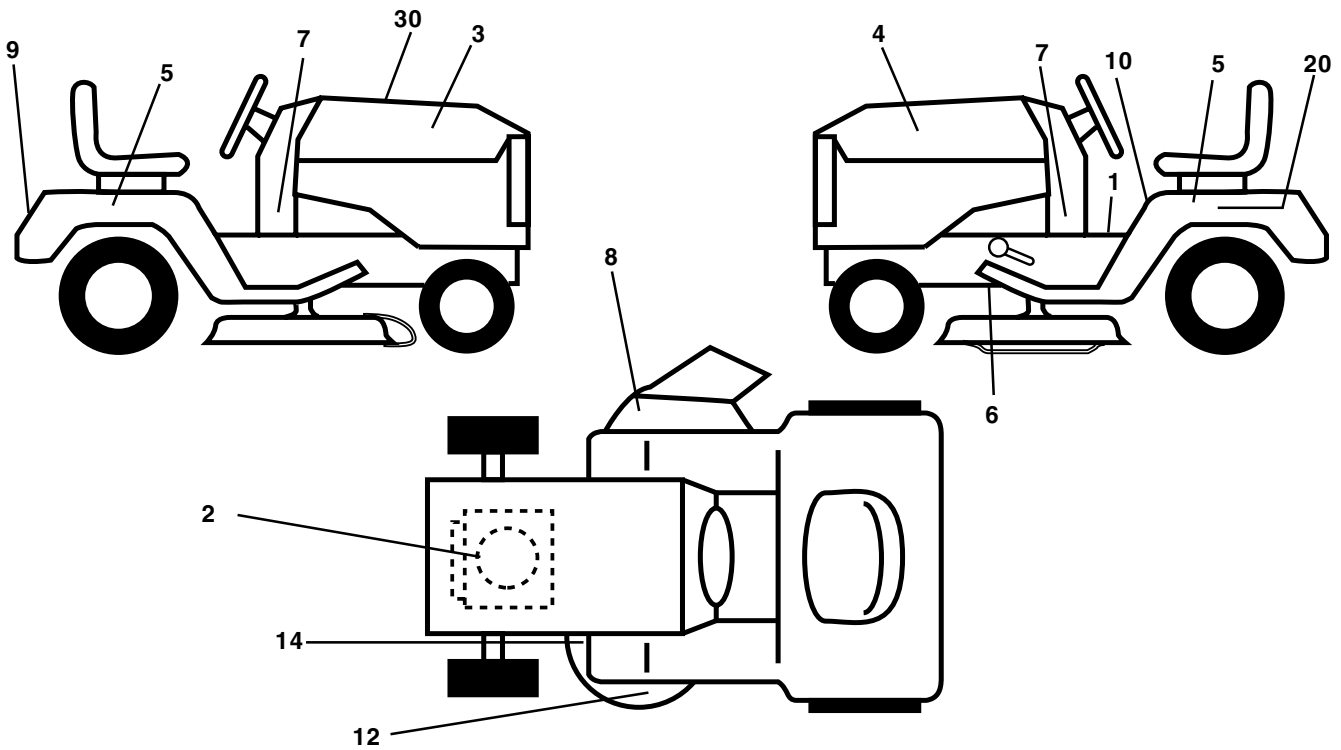
KEY NO.	PART NO.	DESCRIPTION
13	121248X	Bushing Snap Blk Nyl 50 Id
14	72050412	Bolt Rdhd Sqnk 1/4-20x1-1/2
15	134300	Spacer Split 28x 96 Yel Zinc
16	121250X	Spring Cprsn 1 27 Blk Pnt
17	123976X	Nut Lock 1/4 Lge Flg Gr 5 Zinc
21	171852	Bolt Shoulder 5/16-18 Unc
22	STD541431	Nut Hex Lock W/Ins 5/16-18
24	19171912	Washer 17/32 X 1-3/16 X 12 Ga.
25	127018X	Bolt Shoulder 5/16-18 X 62

NOTE: All component dimensions given in U.S. inches
1 inch = 25.4 mm

REPAIR PARTS

TRACTOR - - MODEL NUMBER 944.600871

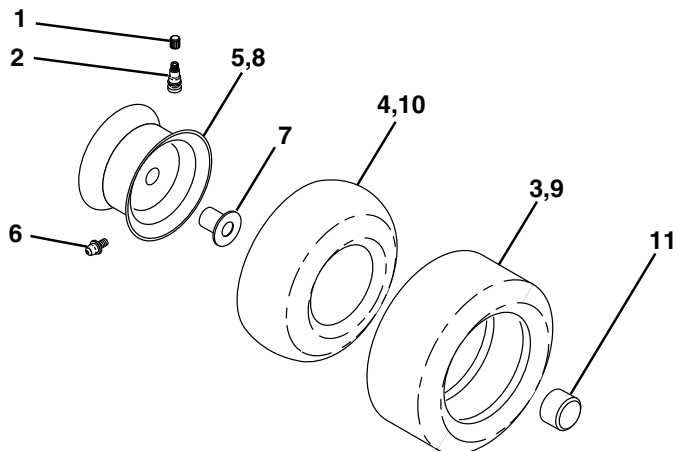
DECALS



KEY NO.	PART NO.	DESCRIPTION
1	157032	Decal Fend STLT Oper
2	165406	Decal Engine
3	171697	Decal Hood LH
4	171696	Decal Hood RH
5	163205	Decal Fender Sd Wht Rad Auto
6	146046	Decal V Belt Drive Sch
7	163254	Decal Dash Pnl
8	137259	Decal Warning Multi-Language
9	163204	Decal Craftsman
10	157140	Decal Fender Danger Eng/Fr

KEY NO.	PART NO.	DESCRIPTION
12	166887	Decal Deck EZ3
14	160396	Decal V-Belt Schematic
20	149517	Decal Bat Dan/Psn
30	172266	Decal Replacement Parts
--	169210	Decal Cntrl Movement HYD Lt
--	165800X428	Pad Footrest LH STLT
--	165799X428	Pad Footrest RH STLT
--	138311	Decal Handle Lft Height Adjust
--	174228	Manual Owner's (English)
--	174229	Manual Owner's (French)

WHEELS & TIRES



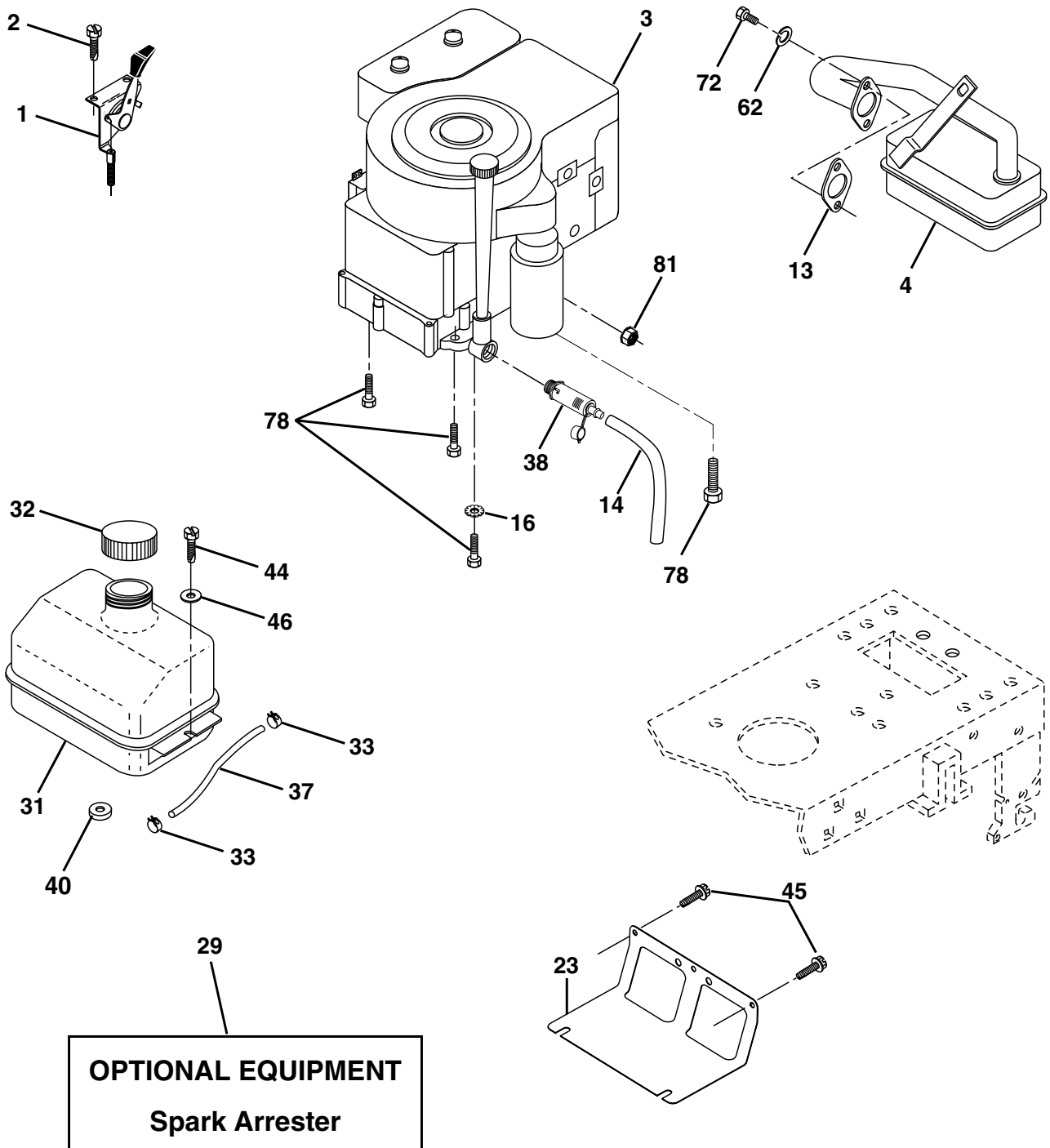
KEY NO.	PART NO.	DESCRIPTION
1	59192	Cap Valve Tire
2	65139	Stem Valve
3	106222X	Tire F Ts 15 X 6 0 - 6 Service
4	59904	Tube Front (Service Item Only)
5	106732X427	Rim Asm 6"front Service
6	278H	Fitting Grease (Front Wheel Only)
7	9040H	Bearing Flange (Front Wheel Only)
8	106108X427	Rim Asm 8"rear Service
9	122082X	Tire R Ts 20x10-8 C Service
10	7152J	Tube Rear (Service Item Only)
11	104757X	Cap Axle Blk 1 50 X 1 00
--	144334	Sealant, Tire (10 oz. Tube)

NOTE: All component dimensions given in U.S. inches
1 inch = 25.4 mm

REPAIR PARTS

TRACTOR - - MODEL NUMBER 944.600871

ENGINE



REPAIR PARTS

TRACTOR - - MODEL NUMBER 944.600871

ENGINE

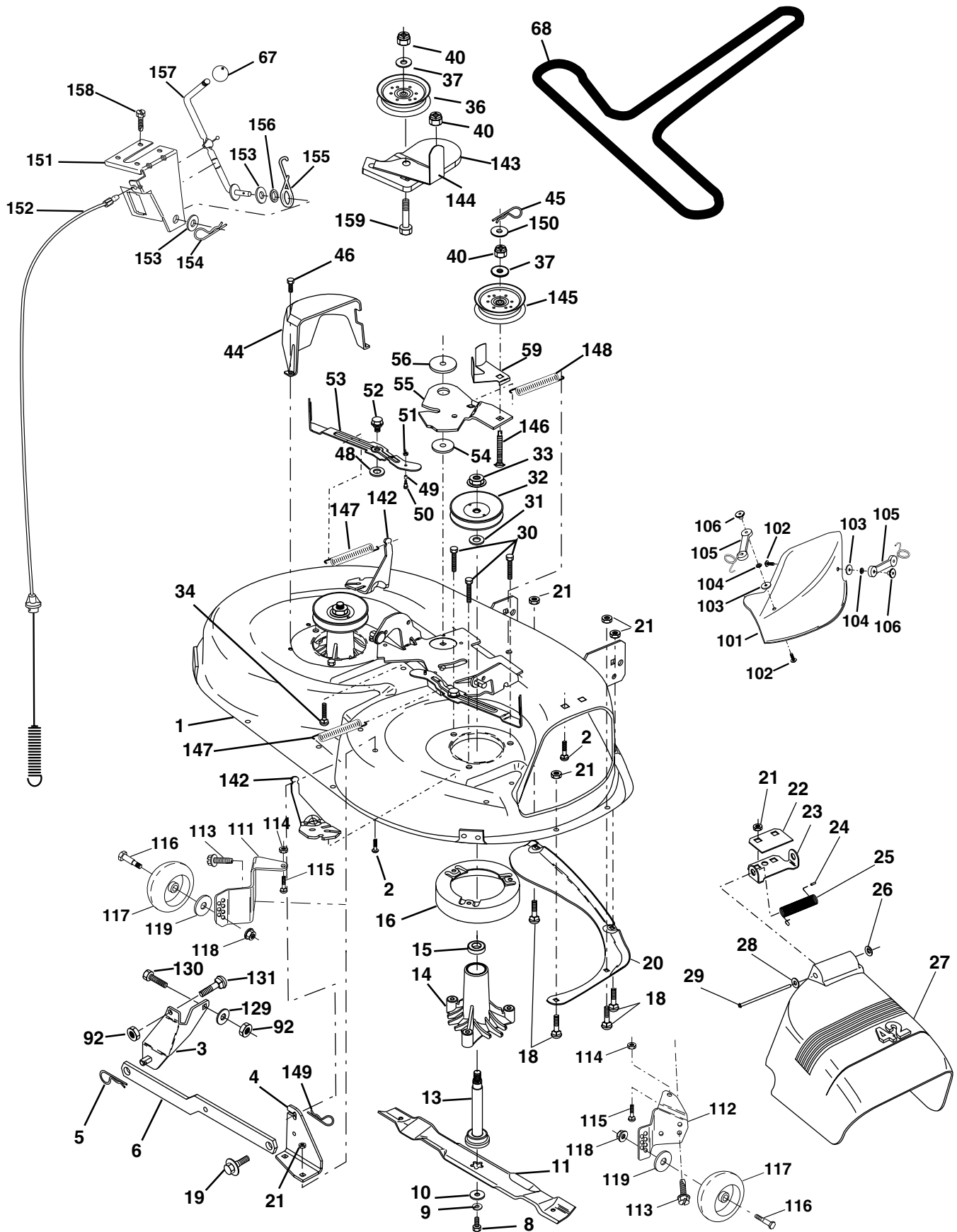
KEY NO.	PART NO.	DESCRIPTION
1	162157	Control Throt Lh
2	17720410	Screw Hex Thd Cut 1/4-20 x 5/8 T
3	-----	Engine (See Engine Breakdown) B&S, Model 311707-0132-E3
4	137352	Muffler Exhaust B&S Lt
13	165291	Gasket
14	13280324	Nipple Pipe 3/8 Npt x 3"
15	13200300	Elbow Std 90 Degree 3/8-18 Npt
16	STD551237	Washer Lock Ext Tooth 3/8
23	169837	Shield Browning
29	137180	Arrestor Spark
31	109202X	Tank Fuel 1 25 Fr
32	158990	Cap Asm Fuel W/sym Vented
33	123487X	Clamp Hose Blk
37	137040	Line Fuel 20"
38	---	Plug Oil Drain (See Engine Breakdown)
40	124028X	Bushing Snap Nyl Blk Fuel Line
44	17490412	Screw Hex Wsh Thdrol 1/4-20 x 3/4
45	17000612	Screw Hex Wsh Thdr 3/8-16 x 3/4
46	19091416	Washer 9/32 x 7/8 x 16 Ga
62	STD551131	Washer Lock Hvy Hlcl Spr 5/16
72	71070512	Screw Hexhd Cap 5/16-18 x 3/4
78	17060620	Screw 3/8-16x1-1/4
81	73510400	Nut Keps Hex 1/4-20 UNC

NOTE: All component dimensions given in U.S. inches
1 inch = 25.4 mm

REPAIR PARTS

TRACTOR - - MODEL NUMBER 944.600871

MOWER DECK



REPAIR PARTS

TRACTOR - - MODEL NUMBER 944.600871

MOWER DECK

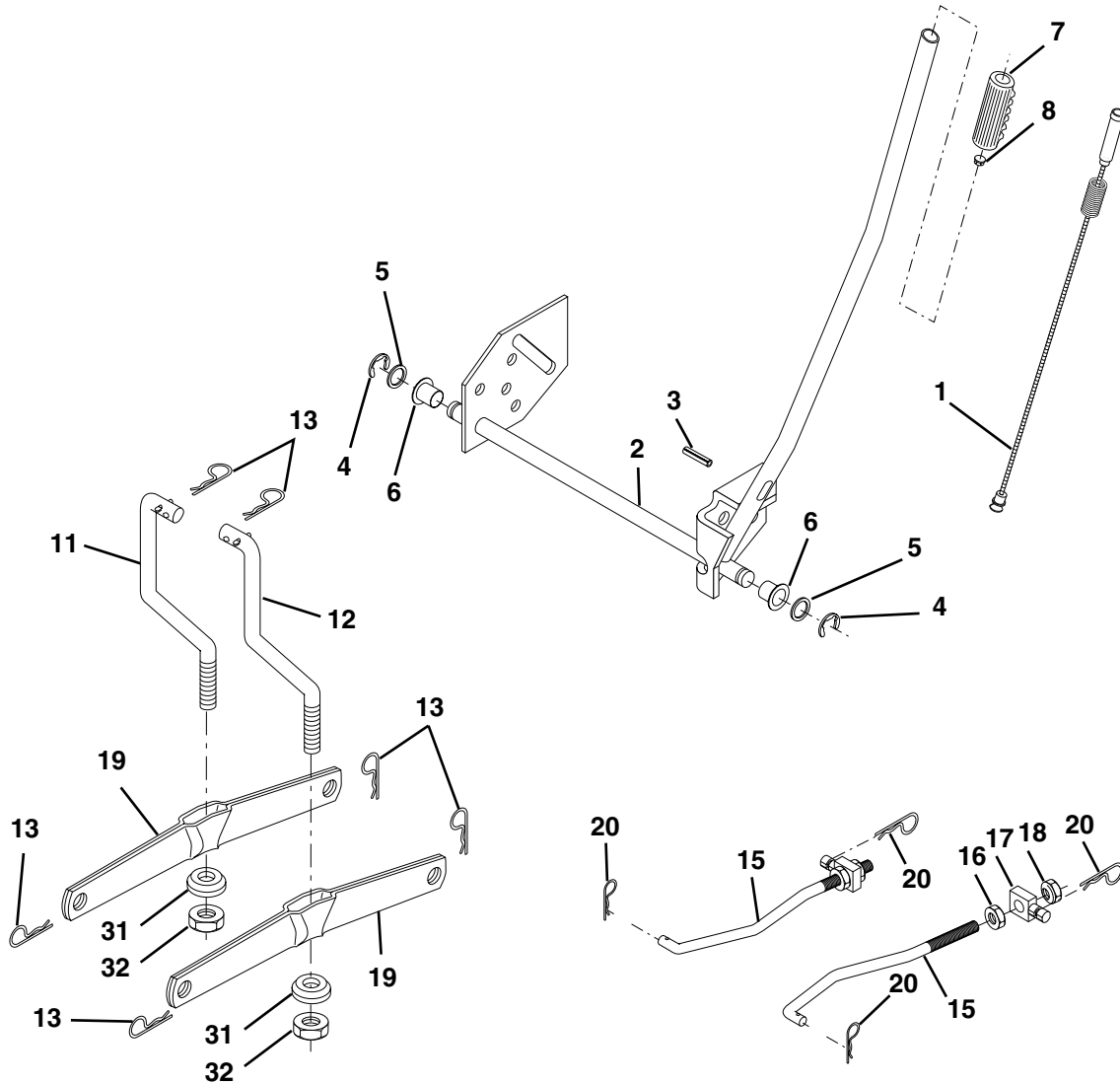
KEY NO.	PART NO.	DESCRIPTION	KEY NO.	PART NO.	DESCRIPTION
1	165892	Mower Deck Assembly, 42"	53	131845	Arm Assembly, Pad, Brake
2	STD533107	Bolt	54	133943	Washer, Hardened
3	138017	Bracket Asm Fr. Sway Bar 3/42	55	155046	Arm, Idler
4	165460	Bracket Asm Deck 42" Sway Bar	56	165723	Spacer, Retainer
5	STD624008	Retainer Spring	59	141043	Guard TUV Idler
6	130832	Arm, Suspension, Rear	67	149846	Knob Custom Oval
8	850857	Bolt 3/8-24 x 25 Grade 8 patched	68	144959	V-Belt, 42" Mower
9	STD551137	Washer, Lock	92	STD541437	Nut, Lock, Hex W/Ins 3/8-16 UNC
10	140296	Washer, Hardened	101	136420	Mulcher Cover
11	134149	Blade, Mulching 42" Std (Originally equipped with)	102	71161010	Screw
	138498	(Following Blades are Optional) Blade Mower 42" Hi-Lift Std (For better bagging, especially in wet conditions)	103	19061216	Washer, Flat
	139775	Blade Mulching Premium 42" (For better wear when mulching)	104	10071000	Washer, Lock
	138971	Blade Mower 42" Hi-Lift Premium (For better wear when bagging in heavy or wet conditions)	105	160793	Latch Assembly
12	129895	Bearing, Ball #6204	106	2029J	Nut, Weld
13	137645	Shaft Assembly, Mandrel, Vented	111	155197	Bracket, Gauge, Wheel LH
14	128774	Housing, Mandrel, Vented	112	155198	Bracket, Gauge, Wheel RH
15	110485X	Bearing, Ball, Mandrel	113	17060512	Screw 5/16 - 18 x 3/4
16	140329	Stripper, Vented Mower Deck	114	STD541431	Nut, Keps 5/16 - 18 UNC
18	STD533106	Bolt, Carriage 5/16-18 x 5/8	115	72110504	Bolt, Carriage 5/16-18 x 1/2
19	132827	Bolt, Shoulder	116	4898H	Bolt, Shoulder
20	159770	Baffle, Vortex	117	165746	Wheel, Gauge
21	STD541431	Nut	118	73930600	Nut Centerlock 3/8-16
22	134753	Stiffener Bracket	119	19121414	Washer 3/8 x 7/8 x 14 Ga.
23	131267	Bracket, Deflector Mower 42"	121	143723	Bracket, Extruded
24	105304X	Cap, Sleeve 80 x 112 Blk Mower	128	153390	Washer, Felt
25	123713X	Spring, Torsion, Deflector 2 52	129	19131312	Washer 13/32 x 13/16 x 12 Ga.
26	110452X	Nut, Push Phos & Oil	130	STD523710	Bolt Fin Hex 3/8-16 UNC x 1 Gr. 5
27	130968X428	Shield, Deflector 42" Blk	131	STD533710	Bolt Rdhd Sqnk 3/8-16 UNC x 1
28	19111016	Washer 11/32 x 5/8 x 16 Gauge	142	165890	Arm Spring Brake Mower
29	131491	Rod, Hinge 42" 6 75 W/G	143	157109	Bracket Arm Idler 42"
30	157722	Screw Thdrol Washer Head	144	158634	Keeper Belt 42" Clutch Cable
31	129963	Washer, Spacer Mower Vented	145	165888	Pulley Idler Flat
32	153535	Pulley, Mandrel	146	165891	Bolt Carriage Idler
33	137266	Nut, Toplock 9/16	147	131335	Spring Extension
34	STD533717	Bolt	148	169022	Spring Return Idler
35	133835	Fastener, Christmas Tree	149	169898	Retainer Spring Yellow
36	131494	Pulley, Idler, Flat	150	19091216	Washer 9/32 x 3/4 x 16 Ga.
37	STD551037	Washer 13/32 x 13/16 x 16 Gauge	151	169670	Bracket Clutch Cable
40	STD541437	Nut	152	169676	Clutch Cable 42"
44	140088	Guard, Mandrel, LH	153	169674	Washer Flat 3/8" Type B
45	STD624003	Retainer	154	169675	Spring Retainer
46	137729	Screw, Thdrol 1/4-20 x 5/8 T	155	169671	Spring Retention LVR CLTCH CAB
48	133944	Washer, Hardened	156	169672	Spacer Clutch Cable
49	155066	Roller Assembly, Cam Follower	157	169669	Rod Clutch Cable 3/8"
50	131340	Bolt, Shoulder #10-24 Grade 5	158	17720410	Screw Hex Thd Cut 1/4-20 x 5/8
51	STD541410	Locknut	159	72140614	Bolt Rdhd Sqn 3/8-16 UNC x 1-3/4
52	139888	Bolt, Shoulder 5/16-18 UNC	--	130794	Mandrel Assembly (Includes Key Numbers 8-10, 12-15, 31 and 33)
			--	169583	Mower Deck, Complete (Standard Deck - Order separately mulcher plate and gauge wheel components Key Nos. 101-106, and 111-121)

NOTE: All component dimensions given in U.S. inches
1 inch = 25.4 mm

REPAIR PARTS

TRACTOR - - MODEL NUMBER 944.600871

MOWER LIFT



REPAIR PARTS

TRACTOR - - MODEL NUMBER 944.600871

MOWER LIFT

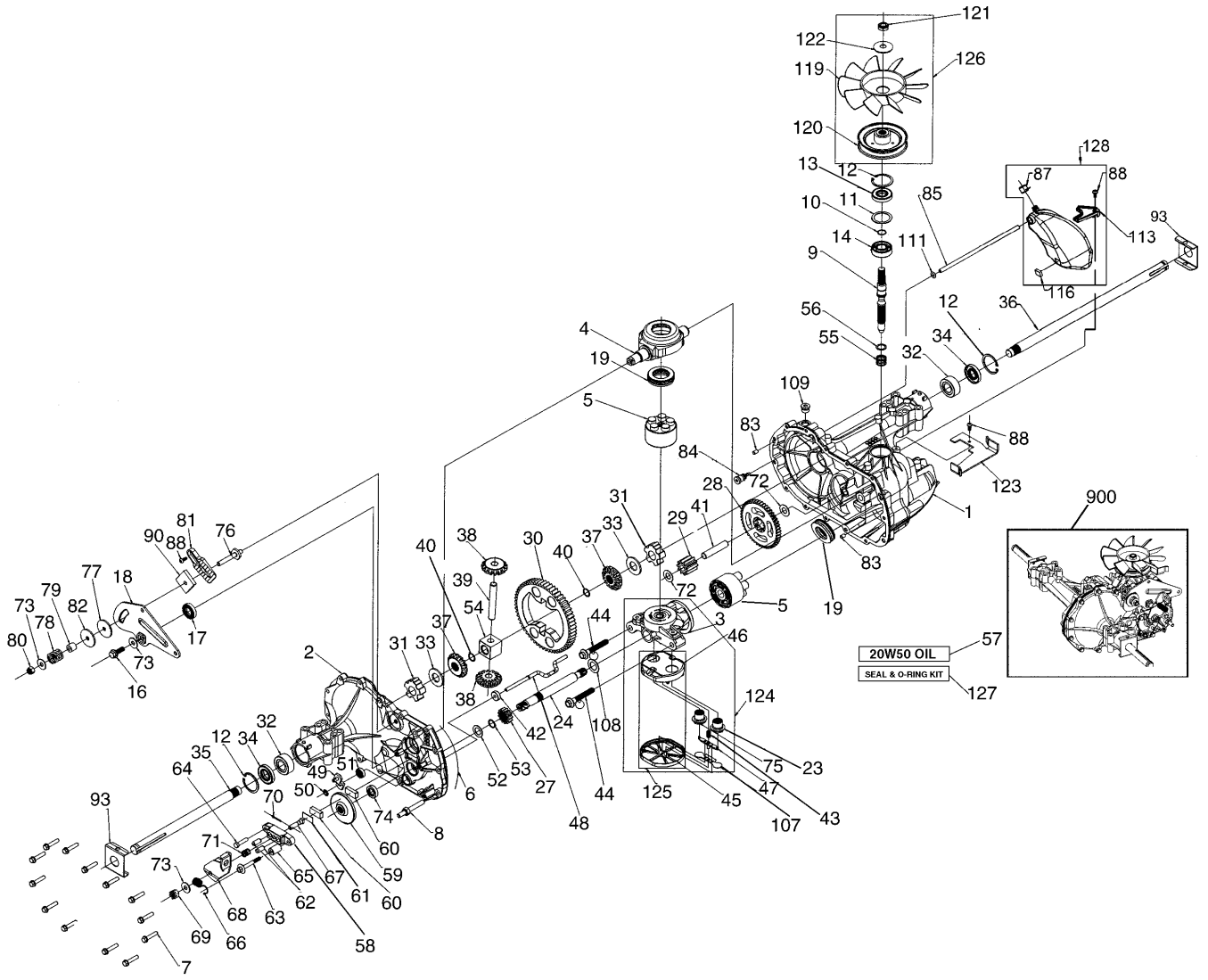
KEY NO.	PART NO.	DESCRIPTION
1	159460	Wire Asm Inner W/Plunge5r
2	159471	Shaft Asm Lift
3	105767X	Pin Groove
4	STD581062	E Ring #5133-62
5	19211621	Washer 29/32 x 1-1/4 x 21 Ga.
6	120183X	Bearing Nylon Blk .629 ID
7	125631X	Grip Handle Fluted
8	122365X	Button, Plunger
11	139865	Link Lift Lh Fixed Length
12	139866	Link Lift Rh Fixed Length
13	STD624008	Retainer Spring
15	173288	Link Front
16	73350800	Nut Jam Hex 1/2-13 Unc
17	130171	Trunnion Blk Zinc
18	73800800	Nut Lock W/Wsh 1/2-13 Unc
19	139868	Arm Suspension Rear
20	163552	Spring Retainer
31	140302	Bearing Pvt. Lift Spherical
32	73540600	Nut Lock 3/8-24

NOTE: All component dimensions given in U.S. inches
1 inch = 25.4 mm

REPAIR PARTS

TRACTOR - - MODEL NUMBER 944.600871

HYDRO GEAR TRANSAXLE - MODEL NUMBER 314-0510



REPAIR PARTS

TRACTOR - - MODEL NUMBER 944.600871

HYDRO GEAR TRANSAXLE - MODEL NUMBER 314-0510

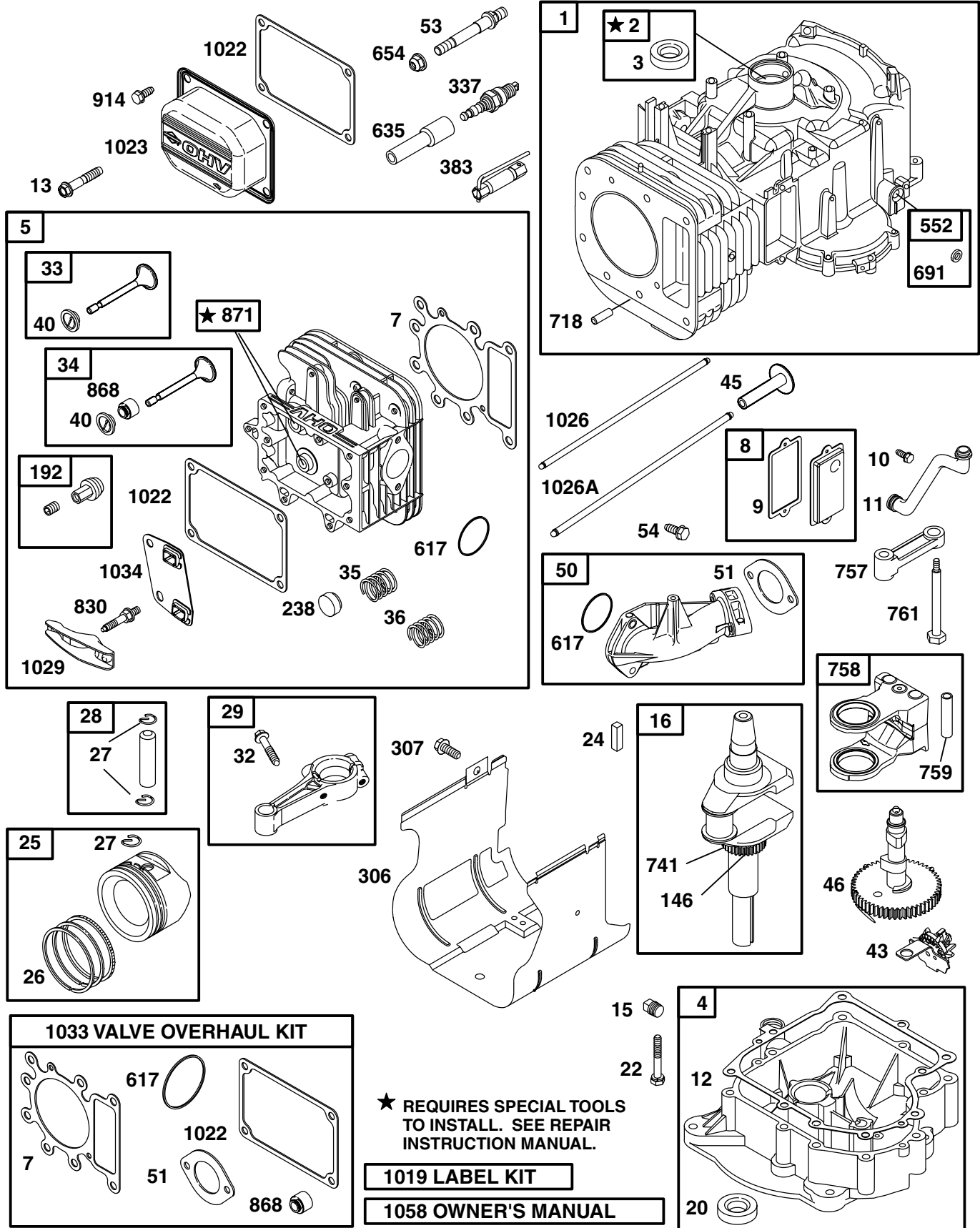
KEY NO.	PART NO.	DESCRIPTION	KEY NO.	PART NO.	DESCRIPTION
1	170351	Main Housing, Assembly	59	170408	Rotor, Brake
2	170352	Side Housing, Assembly	60	142883	Brake Puck
3	170353	Center Section, Assembly	61	142881	Puck Plate
4	170354	Swashplate, Trunion Machined	62	142887	Brake Actuating Pin
5	169898	Block - Assembly	63	170410	Hfhcs 1/4-20x2 W/ Patch,SpecialFlange
6	170355	Sealant 10.5 Oz			
7	170356	Hex Flange Screw 1/4-20 X 1.25	64	142892	Bolt, 1/4-20 X 1 W/Patch
8	170357	Stud, 5/16-24 Hex Double End	65	170411	Spacer
9	170358	Shaft, Input	66	170412	Spring, Brake Arm Bias
10	170359	Ring - Retaining	67	170413	Sq. Hd. Bolt 5/16-24-Ribbed
11	170360	Spacer	68	170414	Arm, Brake
12	169870	Ring - Retaining	69	170415	Slotted Hex Nut 5/16-24
13	170361	Seal, Lip .67 X 1.58 X .276	70	170416	Cotter Pin 3/32 X 3/4
14	169869	Ball Brg 17mm Id X 40mm Od X 12mm	71	170417	Compression Spring Brake Anti-Drag
16	170362	Hex Flange Head Screw 5/16- 24X0.75	72	170418	Washer, Ht .5 I.D. X 1 O.D. X .032
17	170363	Lip Seal 18 X 32 X 7	73	142884	Flat - Washer 11/32 I.D. X 7/8 O.D
18	170364	Arm, Control	74	170419	Oil Seal .625 X 1.0 X .25
19	150771	Bearing, 30x52x13 Thrust	75	170420	Check Plug Assembly, .027, Washer
23	170365	Check Plug Assembly, Washer	76	170421	Stud, 5/16-24 Friction Pack
24	170366	Shaft, Motor	77	170422	Puck, .330 X 1.50 X .0975
27	170367	Gear - Pinion, 13t	78	142969	Spring, Helical Comp
28	170368	10t/48t Gear	79	142980	Spacer
29	170369	Gear, 10t Jackshaft	80	150778	Hex Lock Nut 5/16-24Unjf(Nylon Insert)
30	170370	60t Bull Gear	81	170423	Wedge, Friction Pack
31	170371	Sleeve Bearing .75 X 1.575 X .625	82	170424	Clip, Washer .316x1.50x.1046 (Plated)
32	170389	SleeveBearing(Outboard) .75x1.750x.625	83	161162	Pin, Standard Headless
33	142991	Washer, 3/4 Id X 1-1/2 Od X .13 Thk	84	170425	Fitting, 5/16 Sae 5/32 Tube
34	170390	Lip Seal Axle Seal	85	170426	Hose, Expansion Tank
35	170391	Shaft, Axle .75 X 11.39 (Key, R.H.)	86	170427	Expansion Tank
36	170392	Shaft, Axle .75 X 16.99 (Key, L.H.)	87	170424	Cap - Poppet Valve
37	150792	Miter Gear (Splined)	88	170429	Bolt, Self Tapping 10-32 X 1/2
38	150793	Miter Gear 15t (0.5 Id)	90	170430	Puck, Inner Wedge
39	150809	Shaft	93	170431	Spring Clip - Housing Thrust
40	170393	Ring, Spiral Retaining	107	170432	Deflector
41	170394	Pin, Jackshaft	108	170433	Washer, Motor Shaft .71idx1.15odx.030thk
42	170395	Magnet, Ring	109	170434	Plug, Sae #6
43	170396	Spring, Bypass	111	170435	O-Ring .07 X .301 I.D.
44	150797	Hydro Mtg Screw 3/8-24 X 2.5 Long	112	170436	Shield, Vent
45	170397	Filter	113	170437	Bracket, Support Expansion Tank
46	170398	Base, Filter	116	170438	Silicon Sponge
47	170399	Actuator, Bypass	119	170439	Fan, 7 In.
48	170400	Rod, Bypass Actuator	120	170440	Pulley
49	170401	Arm, Bypass	121	170441	Hex Lock Nut 1/2-20 (Nylon Insert)
50	170202	Retaining Ring .250 External	122	170442	Washer, Belleville
51	170403	Seal, Lip .741 X .250 X .250 Tc	123	170443	Belt Keeper
52	170404	Flat Washer, 5/8 Id X 1.0 Od X .05 Thk	124	170444	Center Section-Filter-Bypass Assembly
53	170405	Retaining Ring	125	170445	Filter Assembly
54	170406	Bearing, Center Block	126	170446	Fan - Pulley Service Assembly
55	142977	Spring - Helical Compression	127	170447	Seal - O-Ring Kit
56	142978	Washer	900	166768	Transaxle Complete
57	150798	20w-50 Oil			
58	170407	Brake Yoke			

NOTE: All component dimensions given in U.S. inches
1 inch = 25.4 mm

REPAIR PARTS

TRACTOR - - MODEL NUMBER 944.600871

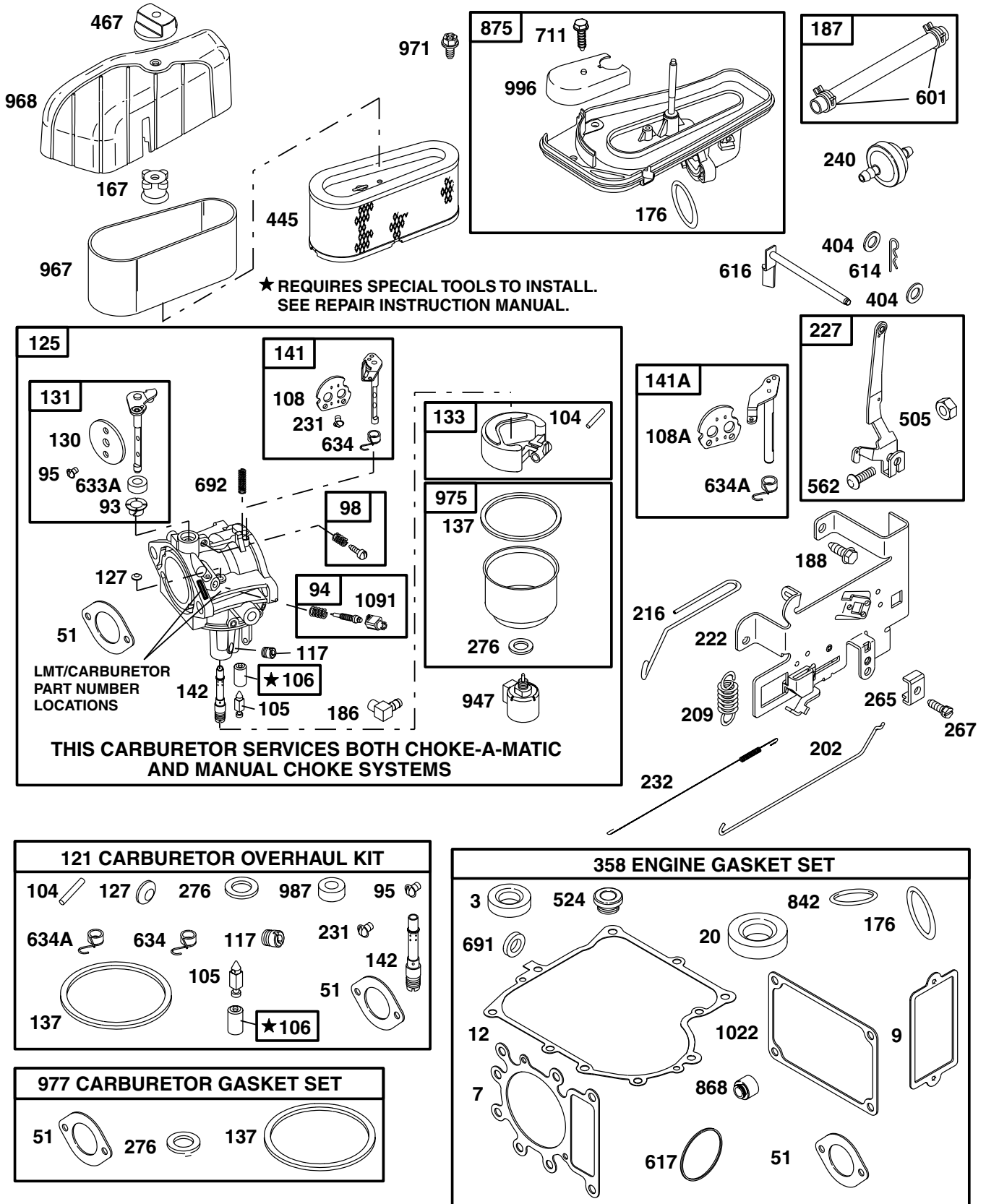
BRIGGS & STRATTON ENGINE - MODEL NUMBER 311707, TYPE NUMBER 0132-E3



REPAIR PARTS

TRACTOR - - MODEL NUMBER 944.600871

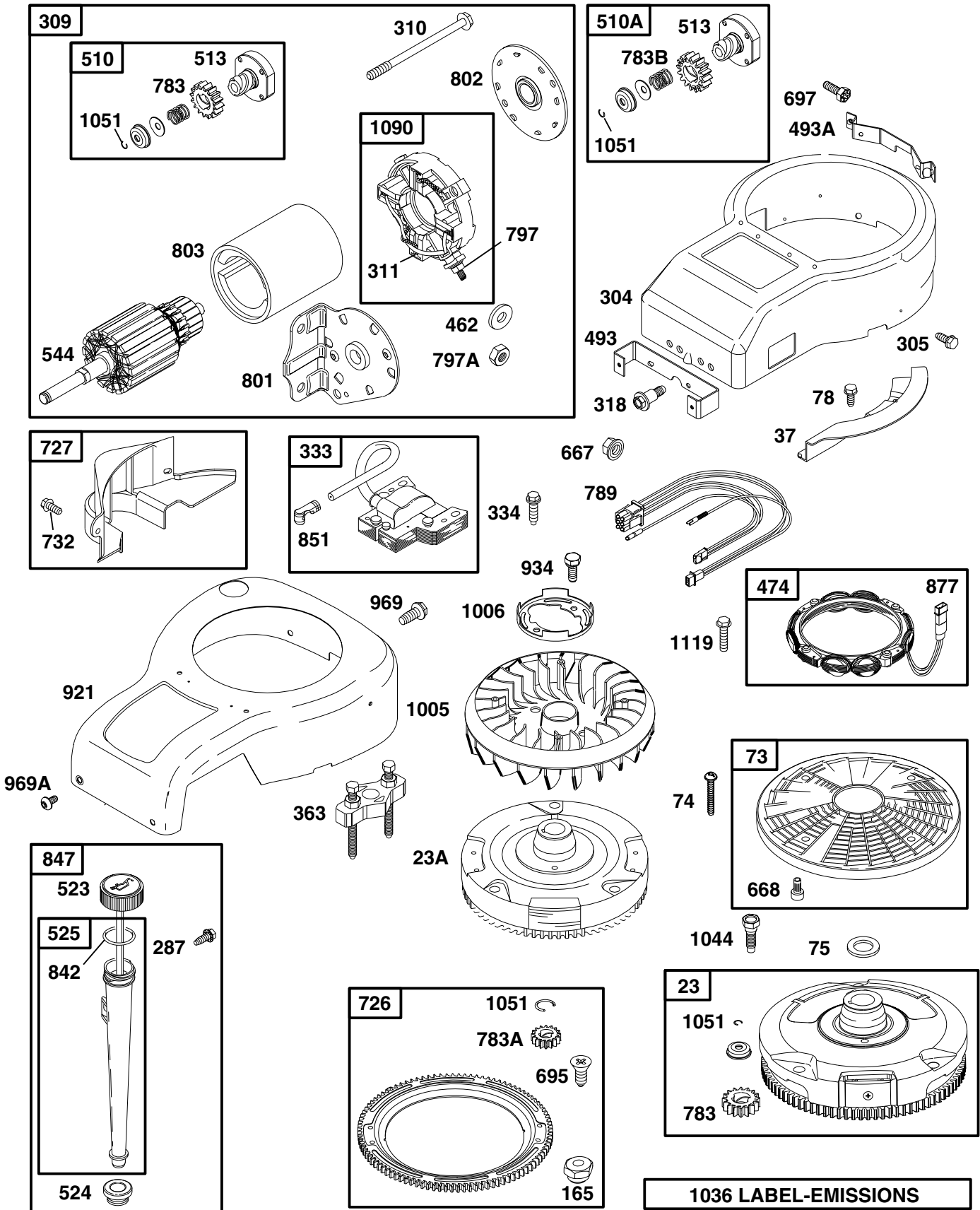
BRIGGS & STRATTON ENGINE - MODEL NUMBER 311707, TYPE NUMBER 0132-E3



REPAIR PARTS

TRACTOR - - MODEL NUMBER 944.600871

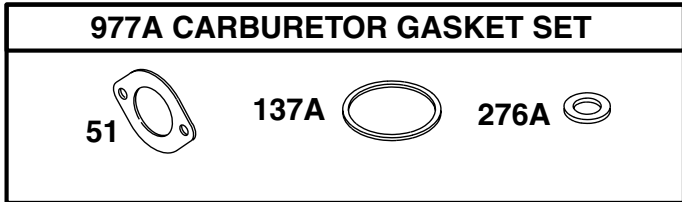
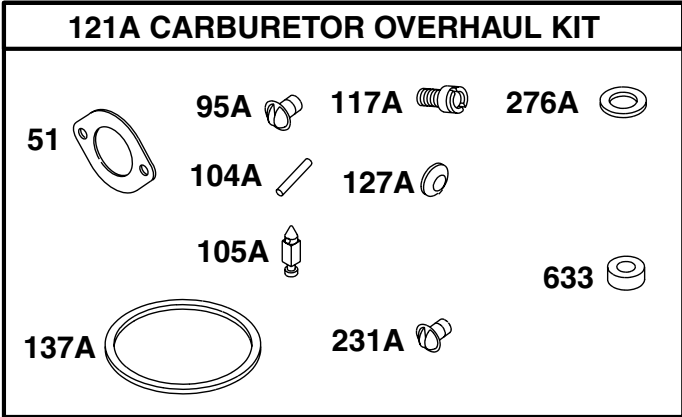
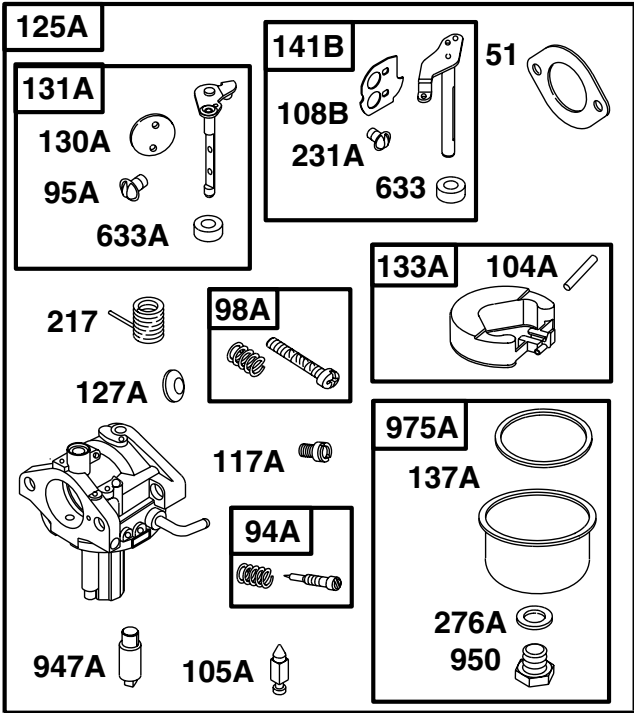
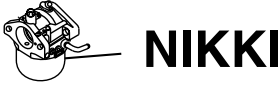
BRIGGS & STRATTON ENGINE - - MODEL NUMBER 311707, TYPE NUMBER 0132-E3



REPAIR PARTS

TRACTOR - - MODEL NUMBER 944.600871

BRIGGS & STRATTON ENGINE - MODEL NUMBER 311707, TYPE NUMBER 0132-E3



REPAIR PARTS

TRACTOR - - MODEL NUMBER 944.600871

BRIGGS & STRATTON ENGINE - MODEL NUMBER 311707, TYPE NUMBER 0132-E3

KEY NO.	PART NO.	DESCRIPTION	KEY NO.	PART NO.	DESCRIPTION
1	690156	Cylinder Assembly	108	690464	Valve-Choke (Manual Choke)
2	399265	Bushing/Seal Kit	108A	692344	Valve-Choke (Choke A Matic)
3	391086	• Seal-Oil	108B	695419	Choke Valve
4	494238	Sump-Engine	117	692408	Ø Jet- Main (Standard)
5	690188	Head-Cylinder		692411	Ø Jet- Main (High Altitude)
7	692410	•+ Gasket-Cylinder Head	117A	695415	Ø Jet-Main (Standard)
8	495735	Breather Assembly	117A	695416	Ø Jet-Main (High Altitude)
9	27803	• Gasket-Breather	121	690191	Carburetor Overhaul Kit
10	691666	Screw (Breather Assembly)	121A	695427	Carburetor Overhaul Kit (Nikki)
11	691328	Tube-Breather	125	690194	Carburetor
12	271916	• Gasket-Crankcase (.015 Thick, Std.)	125A	695412	Carburetor
	271997	• Gasket-Crankcase (.005 Thick)	127	— — —	Ø Plug-Welch (Sold in Kit Only)
	271996	• Gasket-Crankcase (.009 Thick)	127A	690727	Ø Plug-Welch
13	690360	Screw (Cylinder Head)	130	224539	Valve-Throttle
15	94239	Plug-Oil Drain	130A	695418	Valve-Throttle
16	690136	Crankshaft	131	494379	Throttle Shaft Kit
20	291675	• Seal-Oil	131A	695421	Throttle Shaft Kit
22	692125	Screw (Crankcase Cover)	133	494381	Float-Carburetor
23	693557	Flywheel (Steel Ring Gear)	133A	694914	Float-Carburetor
23A	492326	Flywheel (Plastic Ring Gear)	137	281165	Ø‡ Gasket-Float Bowl
24	222698	Key-Flywheel	137A	695426	Ø‡ Gasket-Float Bowl
25	692271	Piston Assembly (Std.)	141	495097	Choke Shaft Kit (Man. Choke)
	692272	Piston Assembly (.010 O.S.)	141A	495931	Choke Shaft Kit (Choke-A-Matic)
	692273	Piston Assembly (.020 O.S.)	141B	695420	Choke Shaft Kit
	692274	Piston Assembly (.030 O.S.)	142	692412	Ø Nozzle-Carburetor
26	690162	Ring Set, Piston (Std.)	146	94196	Key-Timing
	690164	Ring Set (.010 O.S.)	165	693148	Nut (Ring Gear)
	690166	Ring Set (.020 O.S.)	167	281051	Air Cleaner Stud Seal
	690168	Ring Set (.030 O.S.)	176	281106	• O-Ring Seal (Air Cleaner Base)
27	691299	Lock-Piston Pin	186	493496	Connector-Hose
28	498319	Pin Assembly, Piston (Std.)	187	298049	Line-Fuel (Cut to Required Length)
	498320	Pin Assembly-Piston (.005 O.S.)	188	94929	Screw (Control Bracket)
29	692419	Rod-Connecting (Std.)	192	492160	Adjuster- Rocker Arm
	499940	Rod-Connecting (.020 U.S.)	202	262767	Link-Choke
32	692852	Screw (Connecting Rod)	209	260695	Spring- Governor
33	495856	Valve-Exhaust	216	262766	Link-Choke
34	495857	Valve- Intake	217	695409	Choke Return Spring
35	691279	Spring- Valve (Intake)	222	694042	Bracket- Control
36	691279	Spring-Valve (Exhaust)	227	691374	Lever-Governor Control
37	690456	Guard-Flywheel	231	94098	Ø Screw (Choke Valve)
40	224641	Retainer- Valve	231A	690718	Ø Screw (Choke Valve)
43	490815	Governor-Oil Slinger	232	262785	Spring-Link
45	690564	Tappet- Valve	238	262836	Cap- Valve
46	692421	Camshaft	240	394358	Filter-Fuel
48	692706	Short Block	265	221535	Clamp-Casing
50	690193	Manifold- Intake	267	695134	Screw (Casing Clamp)
51	273650	Gasket-Intake	276	281164	Ø‡ Sealing Washer
53	690227	Stud (Carburetor)	276A	695410	Ø‡ Sealing Washer
54	691148	Screw (Intake Manifold)	287	94903	Screw (Dipstick Tube)
73	494439	Screen-Rotating	304	690497	Housing-Blower
74	94821	Screw (Rotating Screen)	305	690969	Screw (Blower Housing)
75	225136	Washer (Flywheel)	306	690499	Shield-Cylinder
78	94896	Screw (Flywheel Guard)	307	94930	Screw (Cylinder Shield)
93	690902	Bushing-Throttle Shaft			
94	498030	Idle Mixture Kit			
94A	695425	Idle Mixture Kit	•		Included in Engine Gasket Set, Ref Number 358.
95	94098	Ø Screw (Throttle Valve)	Ø		Included in Carburetor Overhaul Kit, Ref Number 121 and 121A.
95A	690718	Ø Screw (Throttle Valve)	‡		Included in Carburetor Gasket Set, Ref Number 977.
98	495800	Kit-Idle Speed	+		Included in Value Overhaul Kit, Ref Number 1033.
98A	695408	Kit-Idle Speed			
104	690525	Ø Pin-Float Hinge			
104A	694918	Ø Pin-Float Hinge			
105	231855	Ø Valve-Float Needle			
105A	695424	Ø Valve-Float Needle			
106	231854	Ø Seat-Inlet			

NOTE: All component dimensions given in U.S. inches
1 inch = 25.4 mm

REPAIR PARTS

TRACTOR - - MODEL NUMBER 944.600871

BRIGGS & STRATTON ENGINE - MODEL NUMBER 311707, TYPE NUMBER 0132-E3

KEY NO.	PART NO.	DESCRIPTION	KEY NO.	PART NO.	DESCRIPTION
309	693551	Motor-Starter (For Steel Ring Gear Only)	783B	693058	Gear-Pinion (For Plastic Ring Gear Only)
309	497595	Motor-Starter (For Plastic Ring Gear Only)	789	695050	Harness- Wiring
310	690323	Screw (Starter Motor)	797	693167	Nut (Brush Retainer)
311	497608	Brush Set	797A	92278	Nut (Brush Retainer)
318	692127	Screw (Mounting Bracket)	801	691429	Cap-Drive
333	495859	Armature- Magneto	802	497607	Cap-End
334	94731	Screw (Magneto Armature)	803	691427	Housing-Starter
337	491055	Spark Plug	830	691095	Stud (Rocker Arm)
358	690189	Gasket Set	842	270920	• Dipstick/Tube Seal
363	19203	Flywheel Puller	847	496415	Dipstick/Tube Assembly
383	89838	Wrench-Spark Plug	851	692424	Terminal-Sparkplug
404	94927	Washer (Governor Crank)	868	690968	+ Seal- Valve
445	496894	Filter- A/C Cartridge	871	262835	Bushing-Guide
462	225137	Washer (Starter Cable)	875	693686	Base- Air Cleaner
467	493903	Knob-Air Cleaner	877	393456	Wire-Alternator
474	393474	Alternator	914	690969	Screw (Rocker Cover)
493	690493	Bracket-Mounting (Front)	921	692493	Cover-Blower Housing
493A	690494	Bracket-Mounting (Rear)	934	94627	Screw (Fan Retainer)
505	691251	Nut (Governor Control Lever)	947	497672	Solenoid-Fuel
510	693699	Drive- Starter (Use With Steel Ring Gear Only)	947A	695423	Solenoid-Fuel
510A	497606	Drive- Starter (Use With Plastic Ring Gear Only)	950	695407	Float Bowl Screw
513	398003	Clutch-Drive	967	272403	Filter-Pre Cleaner
523	495230	Dipstick	968	692502	Cover, Air Cleaner
524	281370	• Dipstick Tube Seal	969	690969	Screw (Blower Housing Cover)
525	691398	Dipstick Tube	969A	690365	Screw (Blower Housing Cover)
544	497603	Armature-Starter	971	692129	Screw (Air Cleaner Base)
552	491986	Bushing-Gov. Lever	975	495933	Bowl-Float
562	691119	Bolt (Governor Control Lever)	975A	695417	Bowl-Float
601	95162	Clamp-Hose	977	690192	Gasket Set-Carburetor
614	93306	Pin-Cotter	977A	695428	Gasket Set-Carburetor
616	495157	Crank-Governor	987	691326	Ø Seal-Throttle Shaft
617	693138	+ O-Ring Seal (Intake Manifold)	996	690678	Carburetor Shield
633	695414	Ø Choke/Throttle Shaft Seal	1005	281400	Fan-Flywheel
633	690998	Ø Choke/Throttle Shaft Seal	1006	690452	Retainer-Fan
634	690801	Ø Seal/Spring Assembly (Manual Choke)	1019	690180	Label Kit
634A	690802	Ø Seal/Spring Assy. (Choke A Matic)	1022	272475	+ Gasket-Rocker Cover
635	280872	Boot- Spark Plug	1023	692492	Cover-Rocker
654	94010	Nut (Carburetor)	1026	494432	Rod-Push (Intake)
667	94010	Nut (Air Cleaner Brace)	1026A	495136	Rod-Push (Exhaust)
668	805402	Spacer	1029	224554	Arm-Rocker
691	491323	• Seal-Governor Shaft	1033	690190	Valve Overhaul Kit
692	690572	Spring-Detent	1034	690822	Guide-Push Rod
695	693109	Screw (Ring Gear)	1036	694497	Label-Emission
697	690372	Screw (Starter Motor)	1044	94673	Screw (Flywheel)
711	690703	Screw (Carburetor Shield)	1051	263080	Ring-Retainer
718	230192	Pin-Locating	1058	274271	Owner's Manual
726	399676	Gear Ring (Aluminum-Services Plastic Ring Gear Only)	1090	497605	Retainer-Brush
727	490324	Cover- Starter Drive	1091	691333	Cap-Limiter
732	94903	Screw (Starter Drive Cover)	1119	93621	Screw (Alternator)
741	691284	Gear-Timing	—	311707-0028-E1	Replacement Engine
757	213998	Link-Counterweight			
758	692423	Counterweight			
759	691239	Pin-Counterweight			
761	691096	Screw (Counterweight)			
783	693713	Gear-Pinion (For Steel Ring Gear Only)			
783A	693059	Gear-Pinion (For Aluminum Ring Gear Only)			

RPM Settings: Low Speed: 1900-2100
High Speed: 3000-3200

- Included in Engine Gasket Set, Ref Number 358.
- Ø Included in Carburetor Overhaul Kit, Ref Number 121 and 121A.
- ‡ Included in Carburetor Gasket Set, Ref Number 977.
- + Included in Value Overhaul Kit, Ref Number 1033.

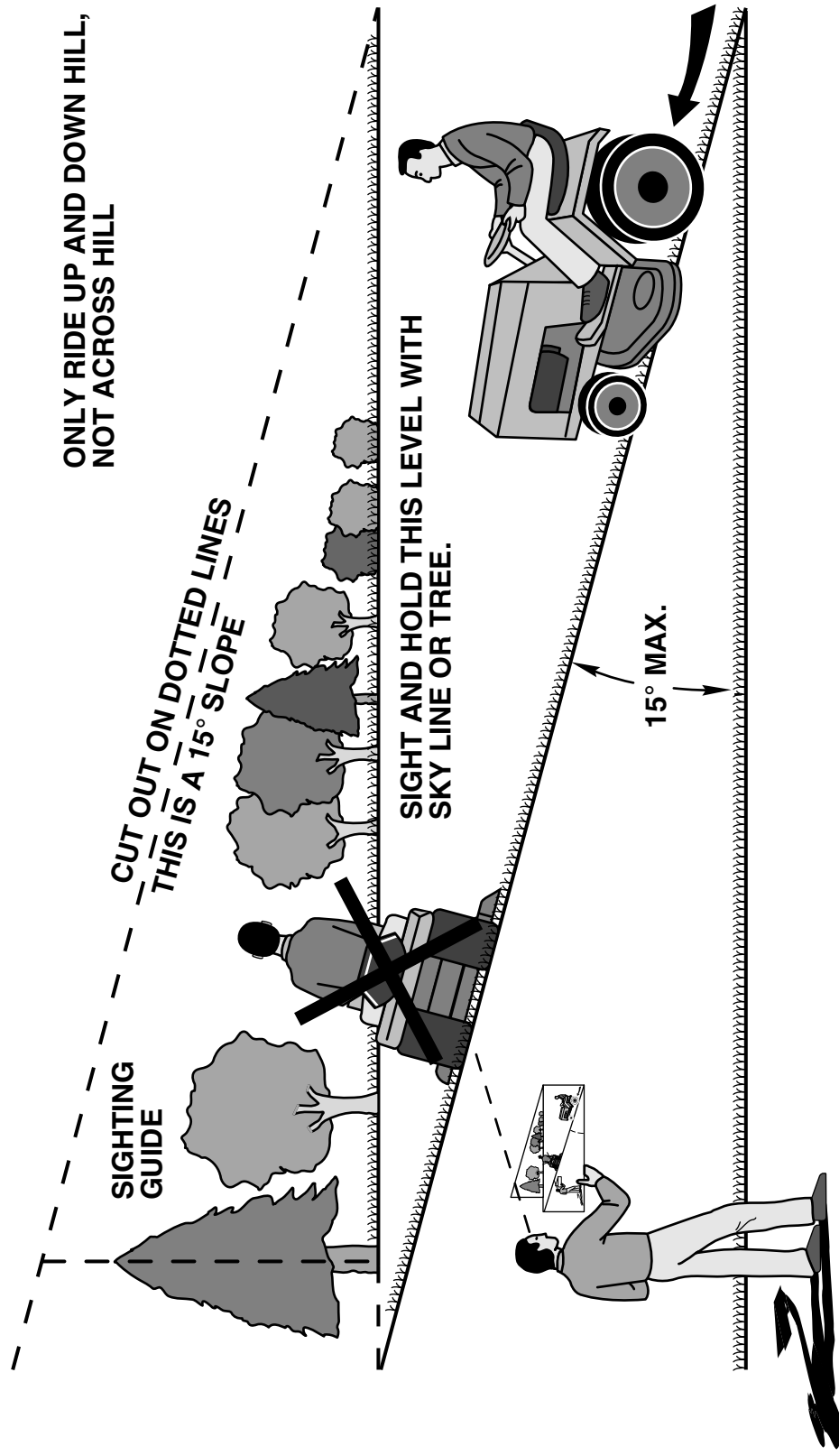
NOTE: All component dimensions given in U.S. inches
1 inch = 25.4 mm

SERVICE NOTES

SERVICE NOTES

SERVICE NOTES

SUGGESTED GUIDE FOR SIGHTING SLOPES FOR SAFE OPERATION



 Operate your Tractor up and down the face of slopes (not greater than 15°), never across the face. Make turns gradually to prevent tipping or loss of control. Exercise extreme caution when changing direction on slopes.

Get it fixed, at your home or ours!

Just Call:

1-800-4-MY-HOME[®]

(1-800-469-4663)

24 hours a day, 7 days a week

For the repair of major brand appliances **in your own home...**
no matter who made it, no matter who sold it!

For your nearest **Sears Parts and Service** location,
to bring in products like vacuums, lawn equipment and electronics.

For **Sears Parts & Service**, to order the replacement parts,
accessories and owner's manuals that you need to do-it-yourself.

www.sears.ca

To purchase or inquire about a Sears Maintenance Agreement, call:

1-800-361-6665

9 a.m. – 8 p.m. EST, Mon. – Fri., 4 p.m. Sat.

Pour service en français:

1-800-LE-FOYER^{MC}

(1-800-533-6937)

www.sears.ca



® / TM Trademarks of Sears, Roebuck and Co. used under license by Sears Canada

MC / MD Marque de commerce / déposée de Sears, Roebuck and Co. utilisée en vertu d'une licence de Sears Canada

© Sears