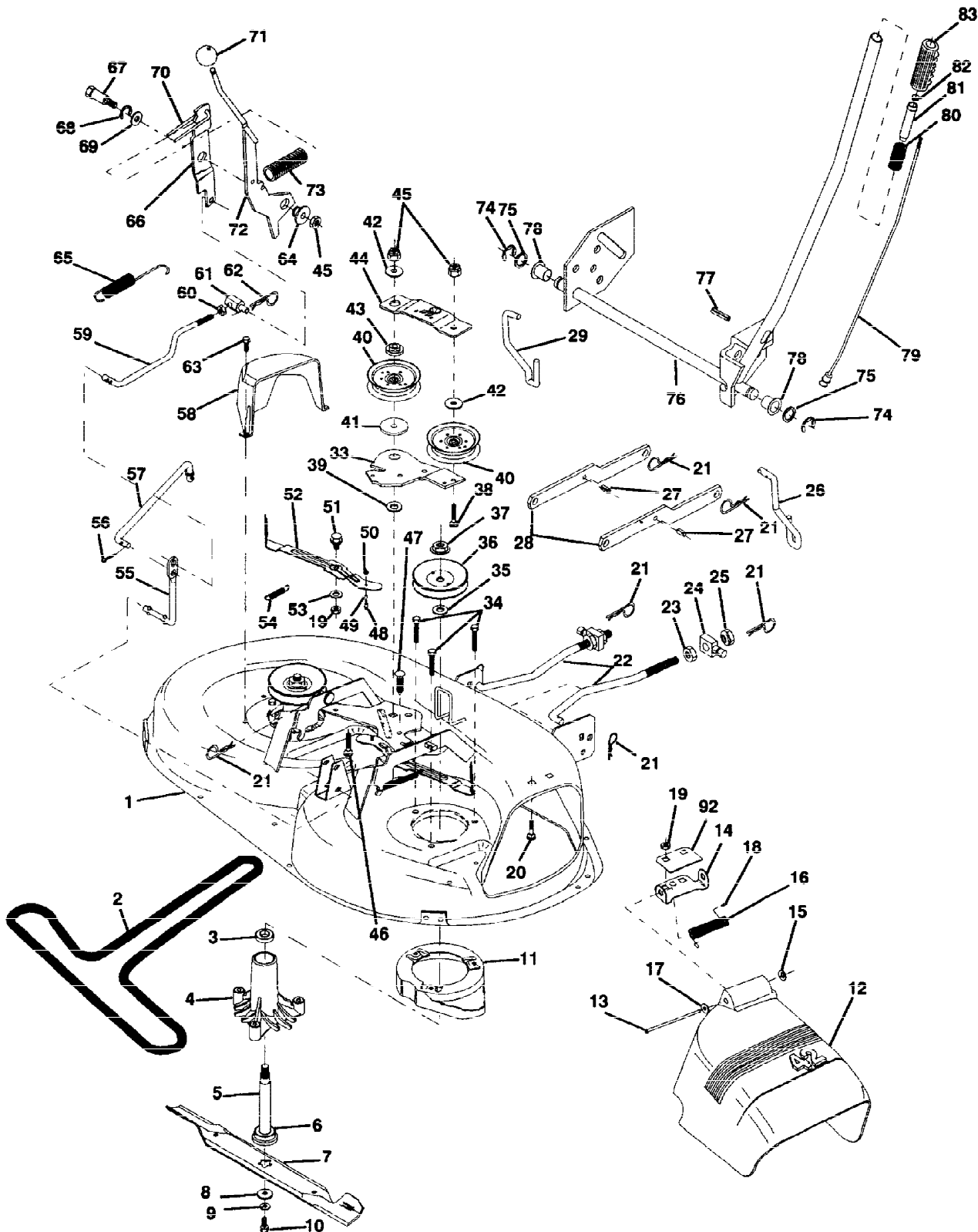




12 HP 42" TRACTOR -- MODEL NUMBER RE1242A

42" MOWER DECK



Ref #	Part Number	Qty	Description
1	130970		SUB= 145338
2	130969		BELT-V.92.4.MWR
3	110485X		BEARING
4	128774		HSG ASM MANDREL
5	133172		SUB= 137646
6	129895		BEARING.BALL
7	127843		SUB= 138498
8	129962		WASHER BLADE
9	10030600		SUB= 10040600
10	850857		BLADE BOLT
11	128961		SUB= 140329
12	130968		DEFLECTOR.SHIELD
13	131491		HINGE ROD
14	131267		DEFLECTOR BRKT
15	110452X		NUT PUSH M
16	123713X		SPRING TORSION
17	19111016		WASHER
18	105304X		CAP-SLEEVE LT
19	73680500		SUB= 73690500
20	72140506		BOLT
21	4939M		SUB= 85902
22	127218		LINK.FRONT
23	73350800		NUT
24	130171		TRUNION
25	73800800		NUT.LK.W/WSH.1/2.
26	135388		LIFT LINK RH
27	135563		"PIN,SPRING"
28	130833		SUSP ARM ASM REAR
29	134619		LINK LIFT LH
33	133844		IDLER ARM
34	78158		SUB= 17580520
35	129963		WASHER
36	129861		SUB= 153535
37	73050900		SUB= 139729
38	72110614		BOLT
39	133943		HARDENED WASHER
40	131494		FLAT IDLER PULLEY
41	122052X		SPACER RETAINER
42	19131612		WASHER GT
43	133502		RETAINER SPACER
44	133503		IDLER ARM STIFF
45	73680600		SUB= 73690600
46	72110618		BOLT CARRIAGE
47	133835		XMAS TREE FASTNER
48	131340		SHOULDER BOLT
49	133940		SUB= 151785
50	69180		LOCKNUT
51	105529X		SUB= 139888
52	131845		BRAKE PAD ARM ASM
53	133944		HARD SMALL WASHER
54	131335		SPRING EXTENSION
55	133551		PIVOT ROD
56	76020312		SUB= 3145

Ref #	Part Number	Qty	Description
57	133504		CLUTCH ROD SECOND
58	131857		SUB= 140088
59	133550		SUB= 142427
60	73350600		NUT
61	133205		TRUNION
62	4497H		RETAINER M
63	17720410		SCREW LT
64	127498		BUSHING
65	131870		RETURN SPRING
66	127847		CLUTCH ARM SECOND
67	128903		SHOULDER BOLT
68	12000029		RING
69	121748X		WASHER
70	127845		SPRING KEEPER
71	7803J		SUB= 106932X
72	133573		CLUTCH ARM PRI AS
73	128759		SUB= 918128759
74	12000002		SUB= 2225J
75	19211416		WASHER
76	122507X		SUB= 145117
77	105767X		PIN-GROOVE LT
78	120183X		NYLON BEARING
79	122514X		SUB= 136973
80	122512X		SUB= 532122512
81	122364X		SUB= 125925X
82	124385X		SUB= 125925X
83	109413X		GRIP
92	134753		STIFFENER BRKT
	132707		SUB= 145411
	130794		MANDREL ASM