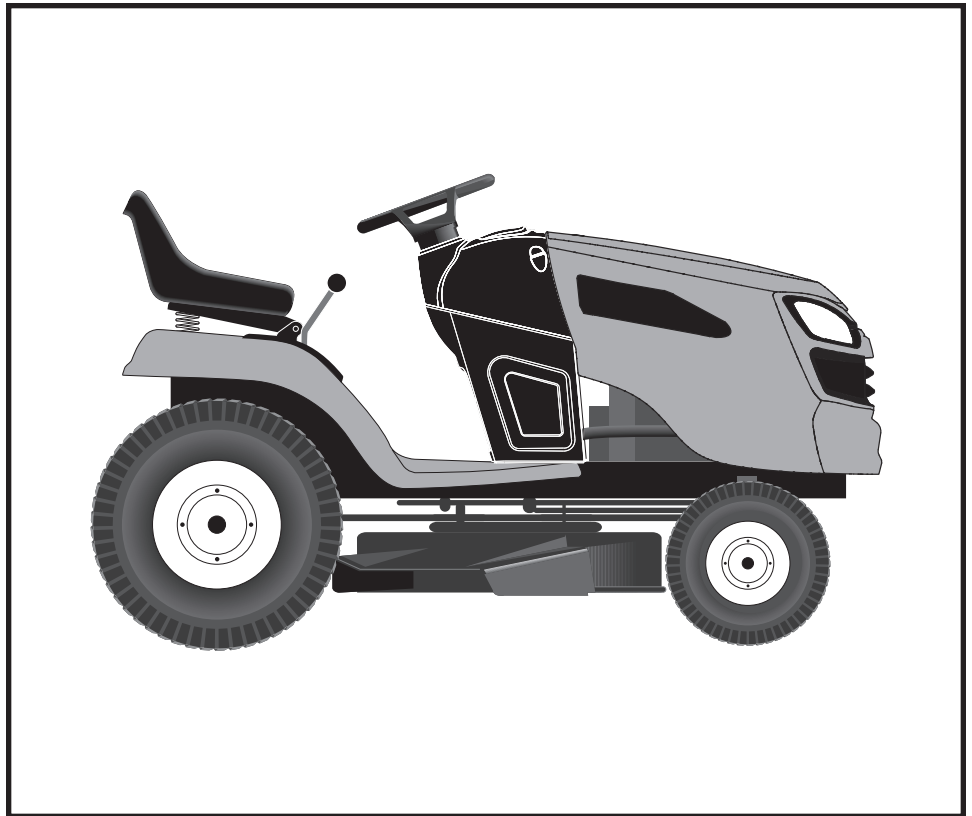


SEARS
REPAIR PARTS
MANUAL

MODEL NO.
944.602640

Important:
Read and follow
all Safety Rules
and Instructions
Before Operating
This Equipment.



21.0 HP*
ELECTRIC START
42" MOWER
AUTOMATIC TRANSMISSION
LAWN TRACTOR

Gasoline containing up to 10% ethanol (E10) is acceptable for use in this machine.
The use of any gasoline exceeding 10% ethanol (E10) will void the product warranty.

*As rated by the engine manufacturer

Sears Canada, Inc., Toronto, Ontario M5B 2B8

HOW TO USE THIS MANUAL

This manual is designed to provide the customer with a means to identify the parts on his/her tractor when ordering repair parts. The illustrations may or may not represent the actual assemblies; therefore, it is not recommended to use this manual as a guide to assemble or disassemble the tractor. Some hardware and parts are drawn larger in order to more readily identify them.

Each tractor has its own model number.

The model number for your tractor can be found on the fender under the seat.

When ordering parts, always give the following information:

- Product - "Tractor"
- MODEL NUMBER - "944.602640"
- Part Number
- Part Description

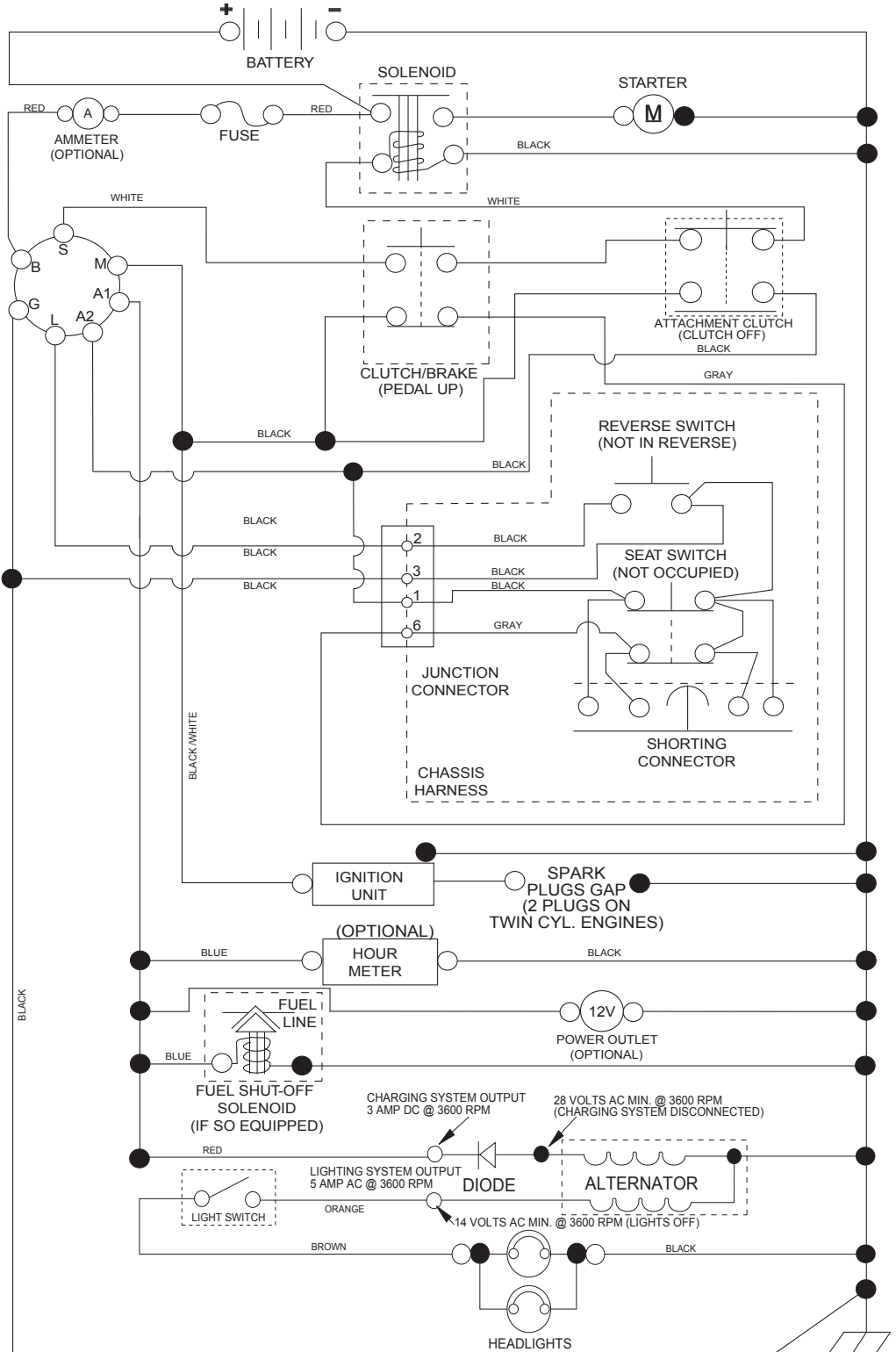
TABLE OF CONTENTS

SCHEMATIC	3
ELECTRICAL.....	4-5
CHASSIS	6-7
DRIVE.....	8-9
ENGINE.....	10-11
STEERING	12-13
SEAT	14-15
MOWER DECK	16-17
MOWER LIFT.....	18
DECALS.....	19
TRANSAXLE BREAKDOWN	20-21
ENGINE BREAKDOWN.....	22-25
SEARS SERVICE	26

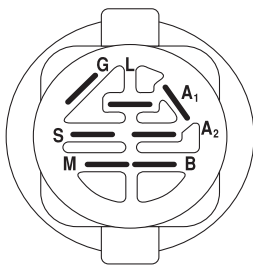
TRACTOR - - MODEL NUMBER 944.602640

SCHEMATIC

SCH11

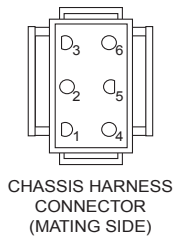


NOTE
YOUR TRACTOR IS EQUIPPED WITH A SPECIAL ALTERNATOR SYSTEM. THE LIGHTS ARE NOT CONNECTED TO THE BATTERY, BUT HAVE THEIR OWN ELECTRICAL SOURCE. BECAUSE OF THIS, THE BRIGHTNESS OF THE LIGHTS WILL CHANGE WITH ENGINE SPEED. AT IDLE THE LIGHTS WILL DIM. AS THE ENGINE IS SPEEDED UP, THE LIGHTS WILL BECOME THEIR BRIGHTEST.



IGNITION SWITCH

POSITION	CIRCUIT "MAKE"
OFF	M+G+A1
RUN/OVERRIDE	B+A1
RUN	B+A1 L+A2
START	B + S + A1



CHASSIS HARNESS CONNECTOR (MATING SIDE)



DASH HARNESS CONNECTOR (MATING SIDE)

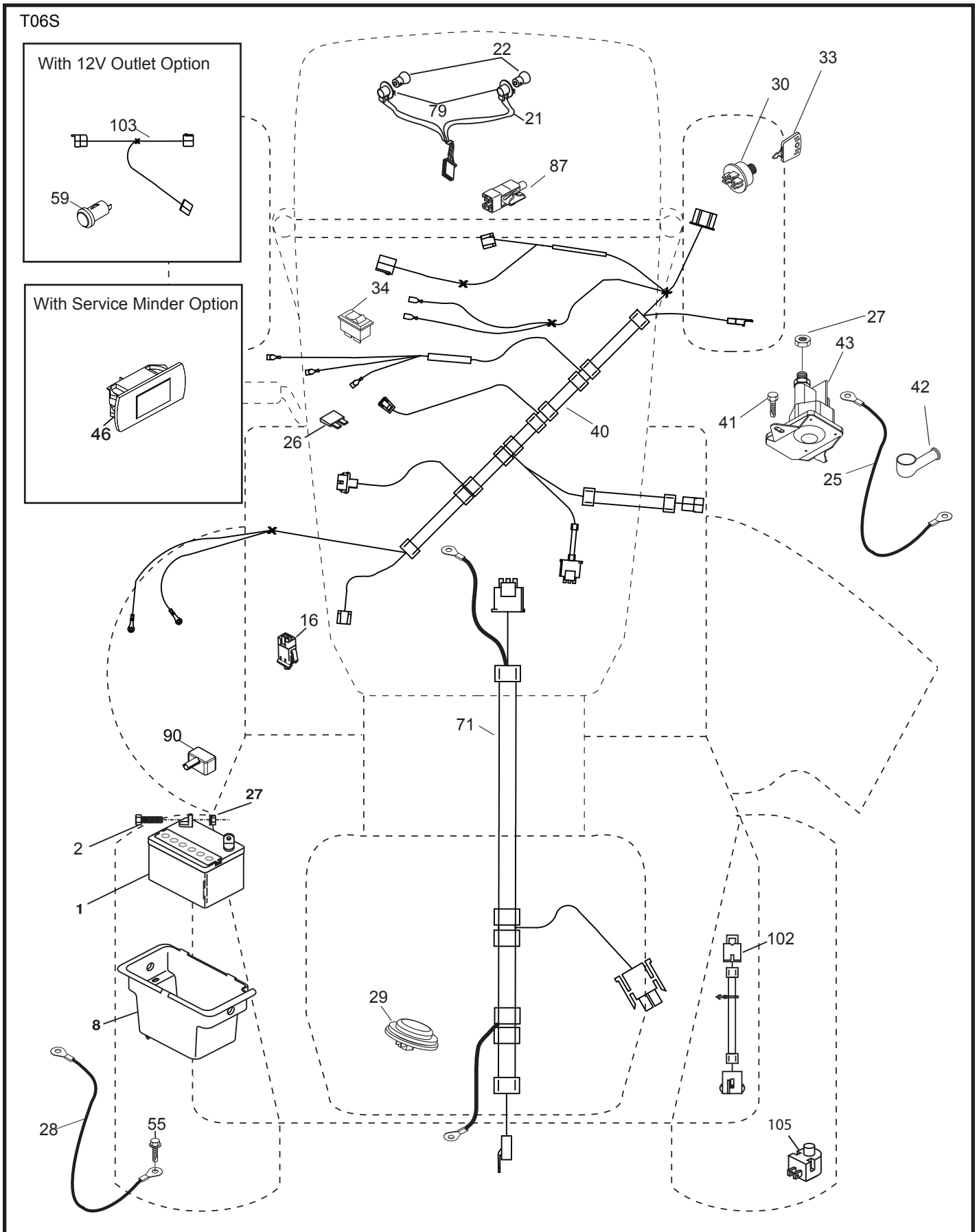
WIRING INSULATED CLIPS
NOTE: IF WIRING INSULATED CLIPS WERE REMOVED FOR SERVICING OF UNIT, THEY SHOULD BE RE-INSTALLED TO PROPERLY SECURE YOUR WIRING.

NON-REMOVABLE CONNECTIONS

REMOVABLE CONNECTIONS

TRACTOR - - MODEL NUMBER 944.602640

ELECTRICAL



TRACTOR - - MODEL NUMBER 944.602640

ELECTRICAL

KEY NO.	PART NO.	DESCRIPTION
1	163465	Battery
2	74760412	Bolt Hex Hd 1/4-20 unc x 3/4
8	193228	Box Battery
16	176138	Switch Interlock Push-In
21	400252	Harness Socket Light w/4152J
22	4152J	Bulb Light
25	412895	Cable Starter
26	175158	Fuse
27	73510400	Nut Keps Hex 1/4-20 unc
28	198885	Cable, Ground
29	401545	Switch, Seat
30	193350	Switch, Ign
33	411934	Key/Chain
34	110712X	Switch Light / Reset
40	401098	Harness Ign. Dash
41	17720408	Screw Thd Cut 1/4-20 x 1/2
42	131563	Cover, Terminal
43	192507	Solenoid
55	17060512	Screw Thdrol 5/16-18 x 3/4 TYTT
71	400449	Harness Ign. Chassis
79	175242	Bulbholder Asm. Incan Descent
87	197802	Switch Interlock Clutch Cable
90	435395	Cover Terminal Battery
102	419781	Harness Pigtail
105	407568	Switch Reverse

NOTE: All component dimensions given in U.S. inches
1 inch = 25.4 mm

TRACTOR - - MODEL NUMBER 944.602640

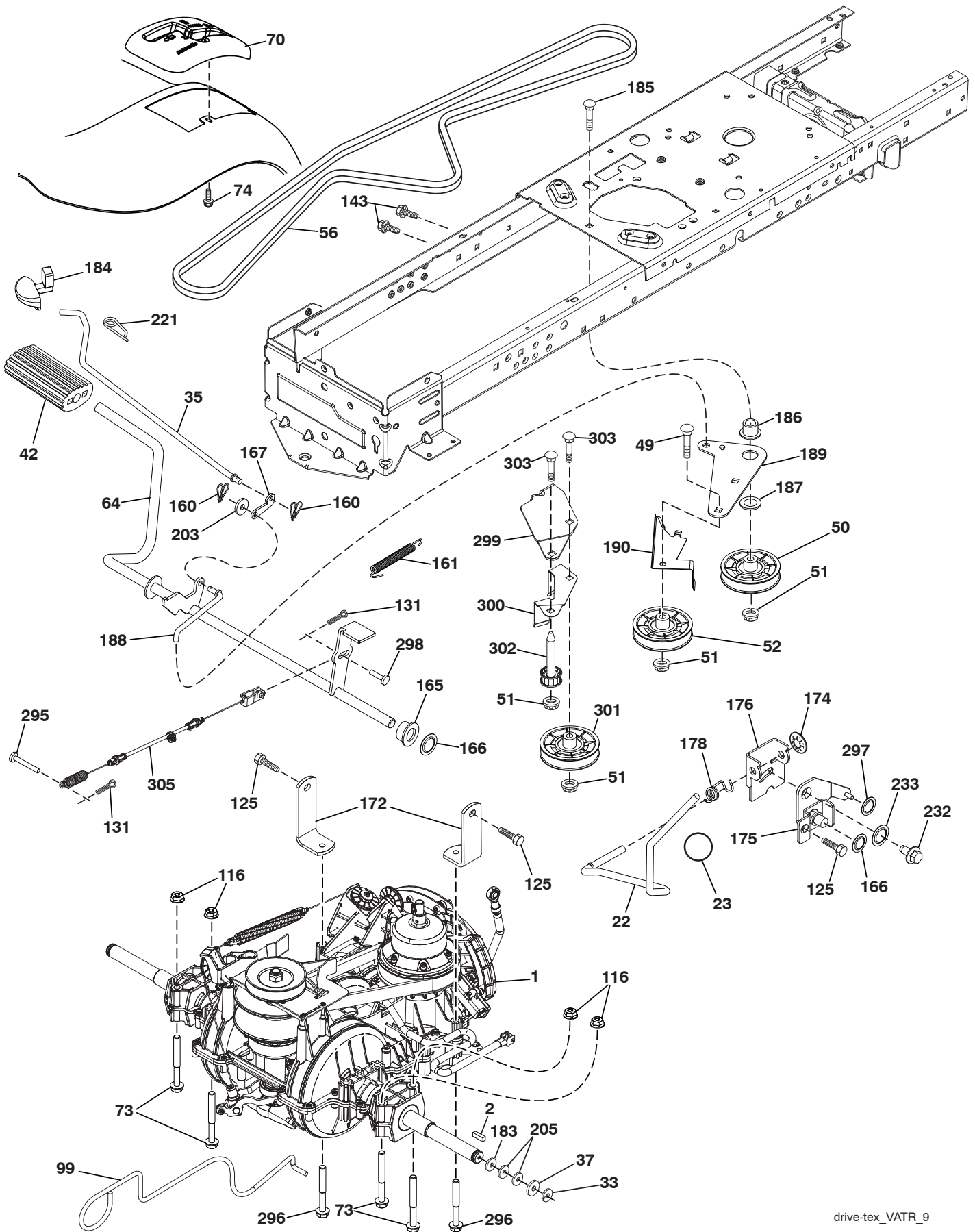
CHASSIS

KEY NO.	PART NO.	DESCRIPTION
5	421810X428	Dash
14	421154X615	Hood
15	421493X599	Lens LH
18	441721X428	Grille
25	421494X599	Lens RH
34	447253	Plate engine
36	17060512	Screw 5/16-18 x 3/4
37	414872X615	Fender
52	73680500	Nut Crown lock 5/16-18
58	412280	Drawbar Upper
68	17490508	Screw Thdrol 5/16-18 x 1/2
130	416358	Screw # 10 x .750 BOS Thread
138	193224X428	Cupholder
150	199413	Duct Heat Hood
151	445494	Bracket Pivot
152	199535	Shield Browning/Debris
159	17000612	Screw Hexwsh Thdrol 3/8-16 x 3/4
162	142432	Screw Hex Wsh Hi-Lo 1/4 x 1/2
175	196304	Crossmember
176	400776	Screw 10-24 x 5/8 Wshd Qdrx
177	195227	Bushing Steering
180	415063	Chassis
181	193102X428	Bushing Mtg. Fender Crgo.
182	406859	Dash Lower
183	74520520	Bolt Fin Hex 5/16-18 x 1-1/4
189	17000512	Screw 5/16 - 18 x 3/4
191	425407	Insert Reflective RH
194	73900500	Nut Lock Hex Flange 5/16-18
195	401556x428	Plug Hole Dash 12V Adapter
196	431658	Console Asm. Deck Lift
202	441722X428	Vent Side Hood RH
203	441723X428	Vent Side Hood LH
213	74760512	Bolt Hex HD 5/16-18 unc x 3/4
217	409167	Rod Pivot Chassis
218	196395	X piece hood stop
228	195161	Stud Fastener
235	406129	Spacer Fender
236	73930500	Nut Center Lock 5/16-18
237	403704	Plug Mount Cargo
287	17600406	Screw Hex Washhead 1/4-20 x 3/8
289	199783X428	Plug Cruise/Phone Common YTGT
297	425406	Insert Reflective LH
314	441665	Trim SD LH
315	441664	Trim SD RH
317	421257X615	Bumper RH
318	421258X615	Bumper LH
- - -	404951X428	Plug Dash SRVMNDR

NOTE: All component dimensions given in U.S. inches
1 inch = 25.4 mm

TRACTOR - - MODEL NUMBER 944.602640

DRIVE



TRACTOR - - MODEL NUMBER 944.602640

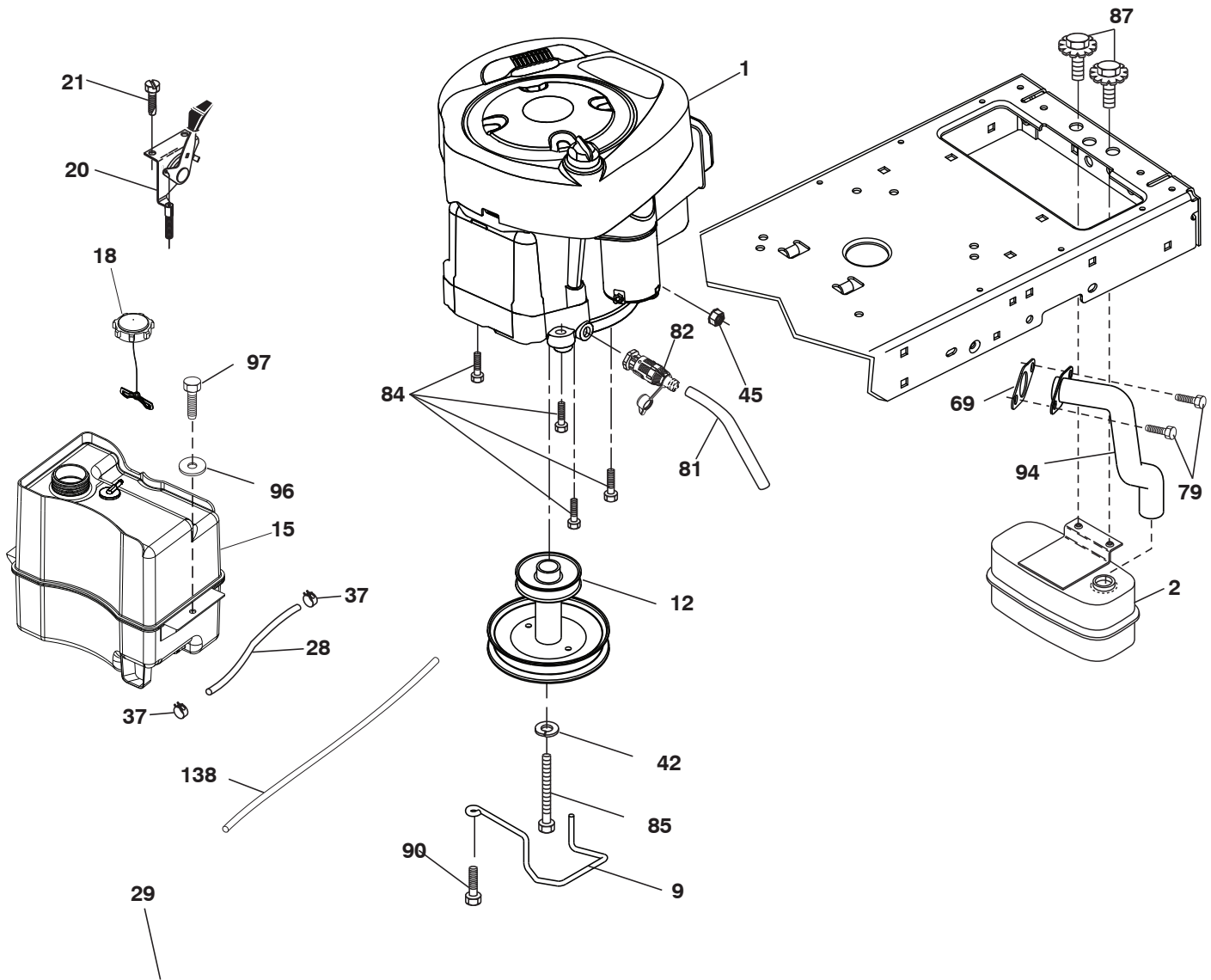
DRIVE

KEY NO.	PART NO.	DESCRIPTION	KEY NO.	PART NO.	DESCRIPTION
1	---	Transmission, Gentrans (415663) (See transaxle breakdown.)	176	196214	Arm. Clevis Rod Shift
2	123583	Key Square 2.0 x .1845/.1865	178	197456	Spring Shift Gt 2006
22	421063	Rod Shift	183	137057	Spacer Axle
23	140845	Knob	184	196439X667	Handle Parking Brake
33	12000001	E-Ring #5133-75	185	72110622	Bolt Rdhd 3/8-16 unc x 2-3/4 Gr.5
35	435486	Rod Brake Parking	186	194321	Spacer Retainer
37	121749	Washer 25/32 X 1 1/4 x 16 Ga.	187	19133210	Washer 13/32 x 2 x 10 Ga.
42	8883R	Cover Pedal Blk Round	188	194323	Link Clutch Ground Drive
49	72110614	Bolt Rdhd 3/8-16 unc x 1-3/4 Gr 5	189	194317	Bellcrank Groundrive Nstg/Nstl
50	194327	Idler Flat	190	194318	Keeper Bellcrank Drive Ground
51	73900600	Nut Hex Flangelock 3/8-16	203	19111116	Washer 11/32 x 11/16 x 16 Ga.
52	194326	Idler V-Groove	205	121748	Washer 25/32 x 1-5/8 x 16 Ga.
56	197253	Belt Drive 100.97"	221	403187	Retainer Spring Clip Handle
64	196200	Shaft Asm. Pedal Brake Control	232	74780716	Bolt Fin Hex 7/16-14 x 1 Gr.5
70	415688X428	Console	233	405296	Washer Serrated
73	74490544	Bolt Hex Flghd 5/16-18 Gr.5	295	420306	Pin Clevis 183 Od x 1.260 Long
74	142432	Screw Hex Wsh Hi-Lo 1/4 x 1/2 unc	296	420471	Screw Thdrol 5/16-18 x 3
99	427340	Rod Bypass	297	420223	Nut Push 1/4
116	73900500	Nut Lock Hex Flange 5/16-18 unc	298	415694	Pin Clevis Cbl. Brk. Variator
125	17000512	Screw 5/16-18 x 3/4 Smgml Tap/Bl	299	415683	Bracket Mount Idler
131	76020312	Pin Cotter 3/32/ x 3/4	300	415681	Keeper Idler Rear
143	17490508	Screw Thdrol 5/16-18 x 1/2 Tytt	301	415680	Pulley Idler V-Groove
160	169484	Retainer Clip(M) Dia.290	302	415666	Pulley Idler Flat 2.0 Od
161	105709	Spring Return Clutch 6.75	303	72110618	Bolt Rdhd Sgnk 3/8-16 x 2-1/4
165	196212	Bushing Shaft Brake Hand Contr	305	415692	Cable Brake Variator
166	429164	Nut Push .625			
167	405257	Latch Brake Parking			
172	415664	Strap Torque LH/RH			
174	197289	Nut Push .500			
175	415677	Shaft Asm Shift			

NOTE: All component dimensions given in U.S. inches
1 inch = 25.4 mm

TRACTOR - - MODEL NUMBER 944.602640

ENGINE



OPTIONAL EQUIPMENT
SPARK ARRESTER

engine-tex_BS_70

TRACTOR - - MODEL NUMBER 944.602640

ENGINE

KEY PART NO.	PART NO.	DESCRIPTION
1	- - - -	Engine B&S Model No. 331877-1577-G5 (442175) (See Engine Breakdown)
2	188655	Muffler
9	194319	Keeper Belt Engine
12	401985	Pulley Engine
15	433007	Tank Fuel
18	438596	Cap Asm. Fuel
20	175438X428	Control Throttle/Choke
21	416358	Screw 10 x .750 BOS Thread
28	401137	Fuel Line
29	137180	Spark Arrester Kit
37	123487X	Clamp Hose
42	10040700	Washer Lock 7/16
45	73510400	Nut Keps Hex 1/4-20 unc
69	165291	Gasket
79	192334	Screw 5/16-18 x .75
81	148456	Tube Drain Oil Easy
82	428287	Valve, Oil Drain
84	17060620	Screw 3/8-16 x 1-1/4
85	173937	Bolt Hex 7/16-20 x 4 x Gr. 5-1.5
87	171877	Bolt 5/16-18 unc x 3/4 w/Sems
90	17000616	Screw 3/8-16 x 1.0
94	405450	Exhaust Tube
96	19091416	Washer 9/32 x 7/8 x 16 Ga.
97	17670412	Screw 1/4-20 x 3/4
138	414119	Purge Line

NOTE: All component dimensions given in U.S. inches
1 inch = 25.4 mm

For engine service and replacement parts, call the toll free number for your engine manufacturer listed below:

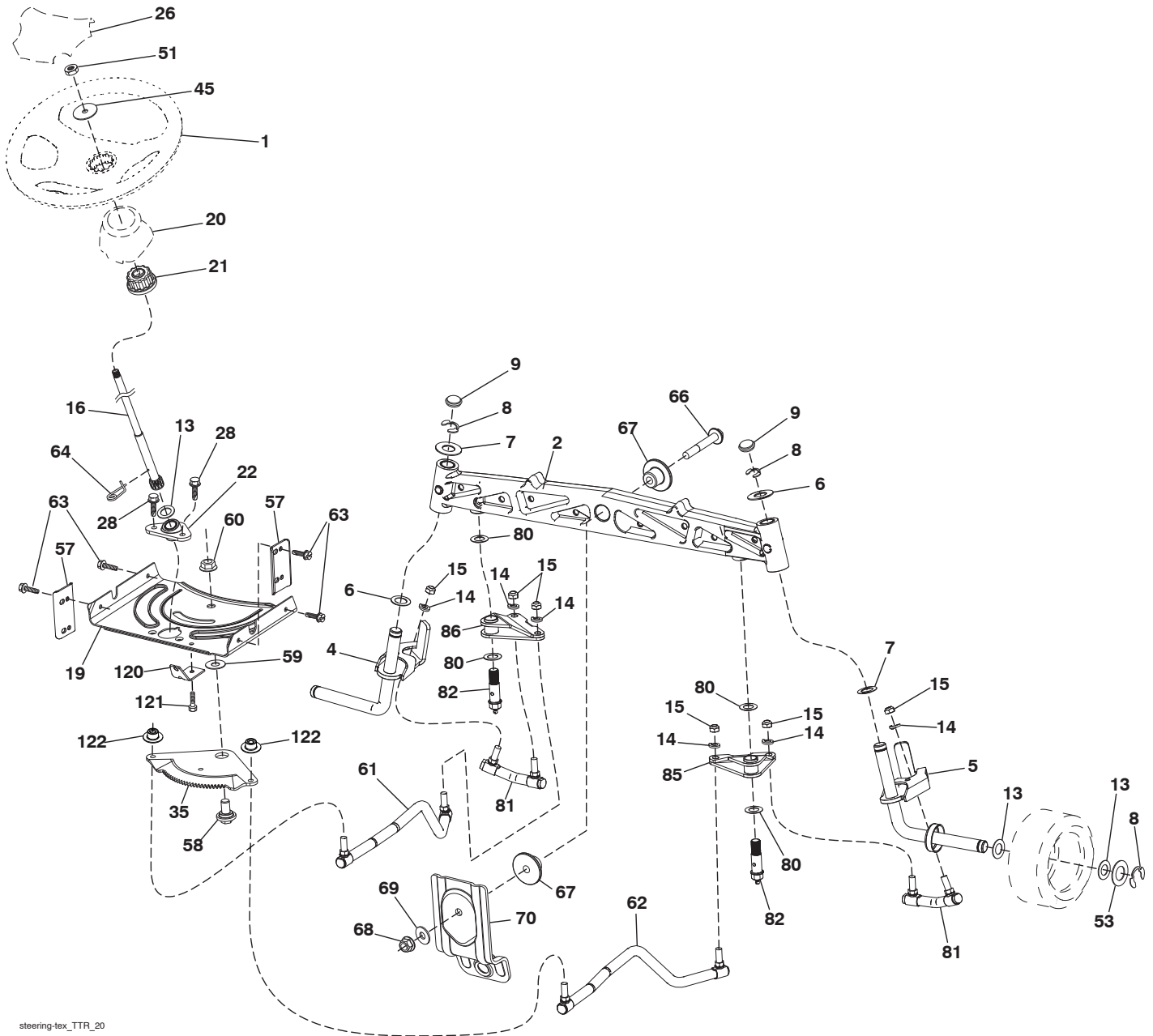
Briggs & Stratton 1-800-233-3723

Engine Power Rating Information

The gross power rating for individual gas engine models is labeled in accordance with SAE (Society of Automotive Engineers) code J1940 (Small Engine Power & Torque Rating Procedure), and rating performance has been obtained and corrected in accordance with SAE J1995 (Revision 2002-05). Torque values are derived at 3060 RPM; horsepower values are derived at 3600 RPM. Actual gross engine power will be lower and is affected by, among other things, ambient operating conditions and engine-to-engine variability. Given both the wide array of products on which engines are placed and the variety of environmental issues applicable to operating the equipment, the gas engine will not develop the rated gross power when used in a given piece of power equipment (actual "on-site" or net power). This difference is due to a variety of factors including, but not limited to, accessories (air cleaner, exhaust, charging, cooling, carburetor, fuel pump, etc.), application limitations, ambient operating conditions (temperature, humidity, altitude), and engine-to-engine variability. Due to manufacturing and capacity limitations, Briggs & Stratton may substitute an engine of higher rated power for this Series engine.

TRACTOR - - MODEL NUMBER 944.602640

STEERING ASSEMBLY



steering-tex_TTR_20

TRACTOR - - MODEL NUMBER 944.602640

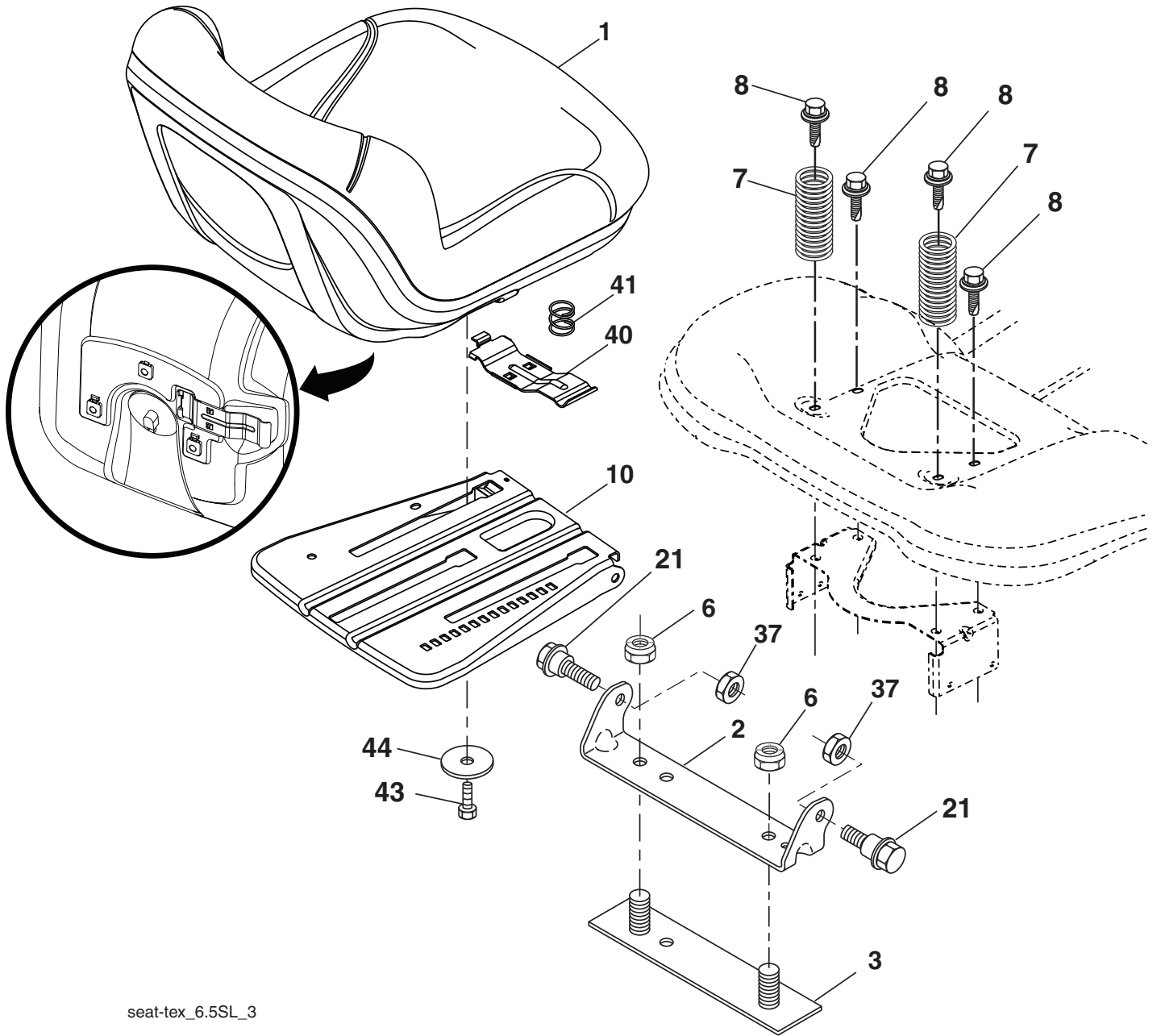
STEERING ASSEMBLY

KEY PART NO.	PART NO.	DESCRIPTION
1	414803X428	Wheel, Steering
2	436870	Axle Asm., Front
4	436873	Spindle Asm., LH
5	436874	Spindle Asm., RH
6	6266H	Washer Thrust
7	121748X	Washer 25/32 x 1-5/8 x 16 Ga.
8	12000029	Ring, Klip #T5304-75
9	184946X667	Cap, Spindle
13	121749X	Washer 25/32 x 1-1/4 x 16 Ga.
14	10040600	Washer, Lock Hvy Hlcl Spr 3/8
15	73540600	Nut, Crown Lock 3/8-24 unf
16	440785	Shaft Steering
19	194729	Plate Steering
20	199676X428	Boot, Steering
21	437747	Adapter, Wheel Steering
22	194845	Bushing, Supt. Lower
26	414852X428	Insert, Wheel Steering
28	17000612	Screw 3/8-16 x 3/4
35	440770	Gear, Sector Plate
45	19183812	Washer 9/16 x 2-3/8 x 12 Ga.
51	73940800	Nut Hex 1/2-20 unf
53	188967	Washer Hardened .793 x 1.637 x .060
57	407465	Bracket Upstop
58	194747	Bolt Shoulder Sector Pivot CFM
59	194748	Washer Thrust Sector Steering
60	73971000	Nut Flange Lock 5/8-11
61	436884	Draglink LH
62	436885	Draglink, RH
63	17000512	Screw 5/16-18 x 3/4
64	199849	Retainer Clip Spring Steering
66	71020748	Bolt Hex Fghd 7/16-14 x 3 Serr
67	194737	Bushing PM Front Axle
68	73900700	Nut Lock Flange 7/16-14 Gr. 5
69	199162	Washer 1.5 x .505 x .118
70	196197	Bracket Deck Susp. Front
80	1370H	Washer
81	436887	Link RH
82	436877	Pivot Bolt
85	441873	Pivot RH
86	441872	Pivot LH
120	415689	Bracket Locator
121	17490508	Screw
122	444962	Cap Gear

NOTE: All component dimensions given in U.S. inches
1 inch = 25.4 mm

TRACTOR - - MODEL NUMBER 944.602640

SEAT ASSEMBLY



seat-tex_6.5SL_3

TRACTOR - - MODEL NUMBER 944.602640

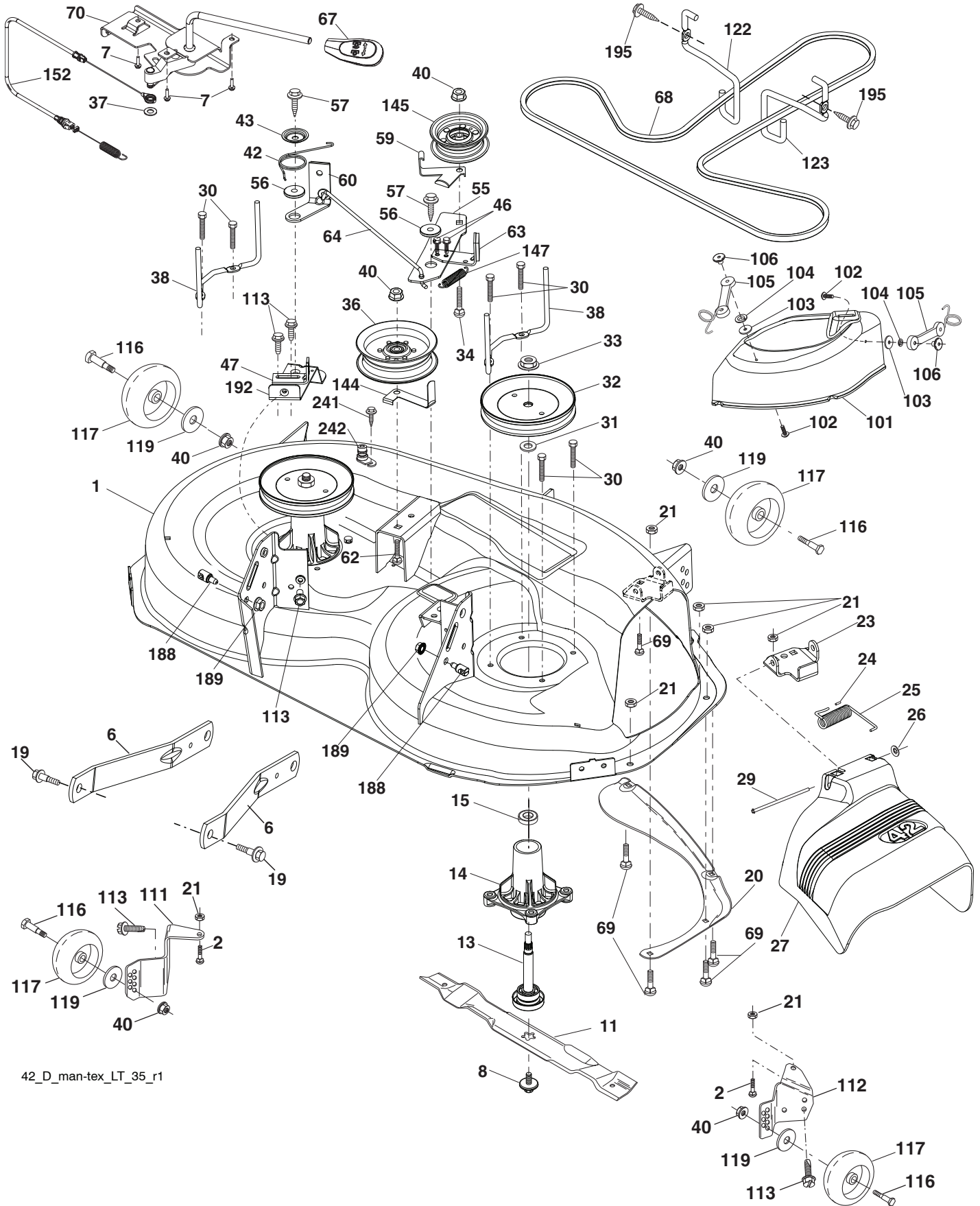
SEAT ASSEMBLY

KEY PART NO.	PART NO.	DESCRIPTION
1	423645	Seat
2	180166	Bracket Pivot Fender
3	140675	Strap, Asm Fender
6	73800600	Nut, Lock W/Ins. 3/8-16 unc
7	124181X	Spring, Seat Cprsn
8	171877	Bolt 5/16-18 unc x 3/4 w/Sems
10	196977	Pan, Seat
21	171852	Bolt, Shoulder 5/16-18
37	73800500	Nut, Lock 5/16-18 unc
40	197661	Handle Slide Seat
41	198200	Spring Latch Seat
43	74760612	Bolt 3/8-16 x 3/4
44	19133812	Washer 13/32 x 2-3/8 x 12 Ga.

NOTE: All component dimensions given in U.S. inches
1 inch = 25.4 mm

TRACTOR - - MODEL NUMBER 944.602640

MOWER DECK



42_D_man-tex_LT_35_r1

TRACTOR - - MODEL NUMBER 944.602640

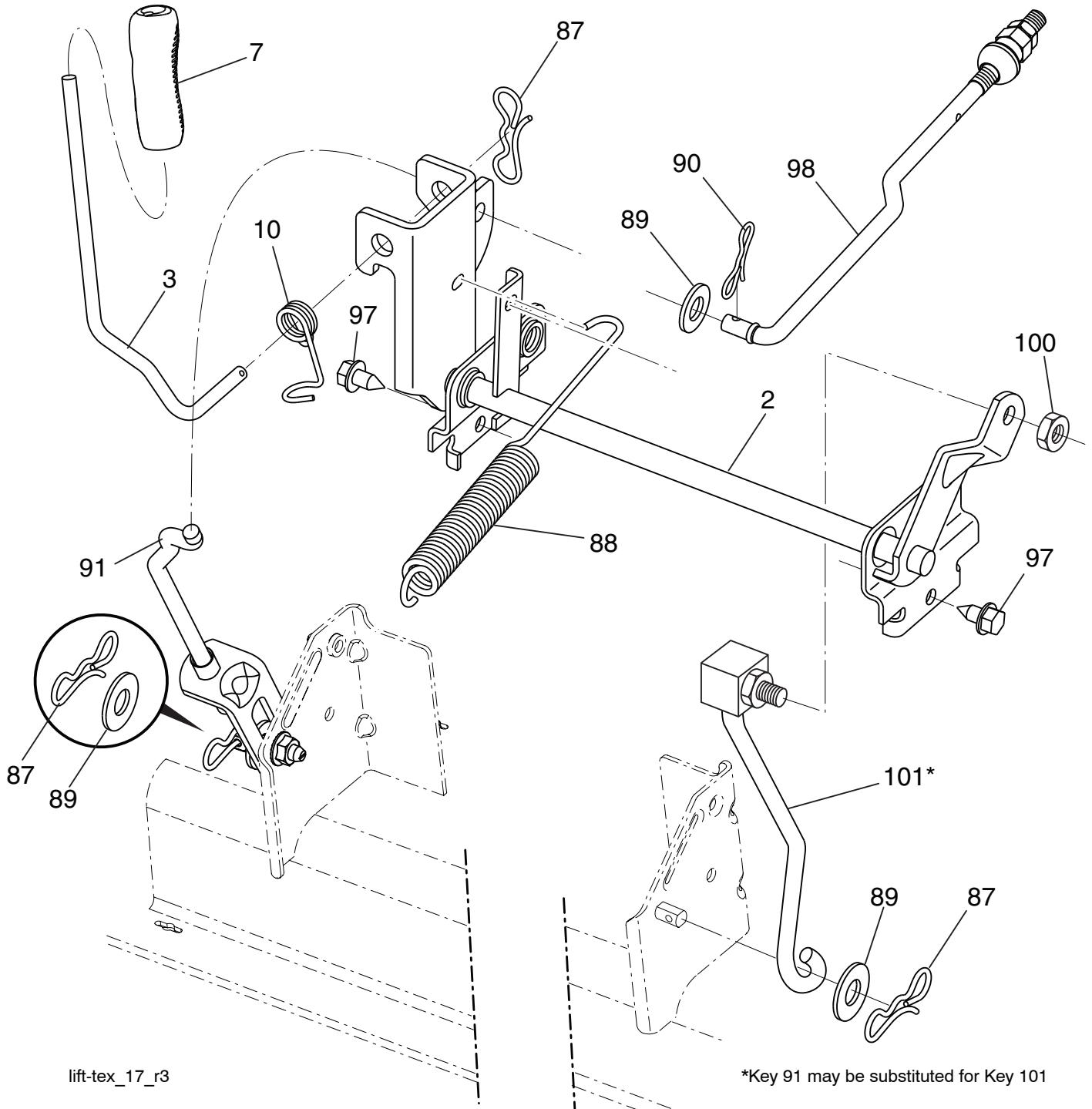
MOWER DECK

KEY NO.	PART NO.	DESCRIPTION	KEY NO.	PART NO.	DESCRIPTION
1	196495X615	Mower Housing	64	199790	Linkage Brake
2	72140506	Bolt RDHD.SQNK. 5/16-18 unc x 3/4	67	198398X667	Handle, Clutch Cable
6	195186	Arm Suspension	68	429636	V-Belt
7	416358	Screw 10 x .750 BOS Thread	69	72140505	Bolt Rdhd Sqnk 5/16-18 x 5/8
8	193003	Bolt/Washer Asm 7/16-20 unf	70	199972	Clutch Asm. Manual
11	424752	Blade, 3N1 Premium (For bagging or discharge)	101	193107	Cover Mulching
13	192872	Shaft Assembly, Mandrel	102	71081010	Screw Pan HD Phillip 10-24 x 5/8
14	187281	Housing, Mandrel	103	19061216	Washer #10
15	110485X	Bearing, Ball, Mandrel	104	10071000	Washer Lock #10
19	196539	Bolt, Shoulder	105	160793	Latch Asm. Mulch
20	159770	Baffle, Vortex	106	2029J	Nut Weld .327/.304 #10-24
21	73680500	Nut, Crownlock 5/16-18 unc	111	404784	Bracket, Gauge Wheel LH
23	192557	Bracket, Deflector	112	404785	Bracket, Gauge Wheel RH
24	105304X	Cap, Sleeve	113	17000510	Screw 5/16-18
25	197026	Spring, Torsion, Deflector	116	4898H	Bolt, Shoulder
26	110452X	Nut, Push	117	188606	Wheel, Gauge
27	424469	Shield, Deflector	119	19121414	Washer 13/32 x 7/8 x 14 Ga.
29	131491	Rod, Hinge	122	197258	Keeper Belt Eng. LH
30	173984	Screw Thdrol Rolling Wsh Hd	123	197259	Keeper Belt Eng. RH
31	187690	Washer, Spacer	144	199204	Keeper Belt
32	197473	Pulley, Mandrel	145	193197	Pulley, Idler, Flat
33	400234	Nut, Toplock, Flanged	147	401971	Spring Return
34	72110612	Bolt Carr Sh. 3/8-16 x 1-1/2 Gr. 5	152	435111	Cable Clutch Manual w/Spr.
36	197379	Pulley Idler	188	195161	Stud Fastener
37	19131316	Washer 13/32 x 13/16 x 16 Ga.	189	73900500	Nut Lock Hex Flange
38	432520	Keeper Belt LH Mandrel	192	197260	Bracket Brake Stand LH
40	73900600	Nut, Lock Flg. 3/8-16 unc	195	17000612	Screw Hexwsh Thdr 3/8-16 x 3/4
42	198410	Spring Torsion Brake	241	152927	Screw
43	197256	Spring Torsion Retainer	242	415598	Washout Port
46	137729	Screw Thd Roll 1/4-20 x 5/8	--	416405	Quick Connect Coupling
47	197250	Bracket Clutch Cable	--	437732	Replacement Mower, Complete
55	437110	Arm, Idler	--	192870	Mandrel Assembly (Includes housing, shaft assembly, and bearing only - pulley/nut/washer and blade bolt/washers not included)
56	199092	Spacer, Retainer			
57	17000616	Screw Hexwsh Thd 3/8-16 x 1			
59	141043	Guard, Tuv Idler (94)			
60	197261	Arm Brake Mower			
62	72110616	Bolt Rdhd Sqnk 3/8-16 unc x 2			
63	199477	Arm Brake Mower			

NOTE: All component dimensions given in U.S. inches
1 inch = 25.4 mm

TRACTOR - - MODEL NUMBER 944.602640

MOWER LIFT



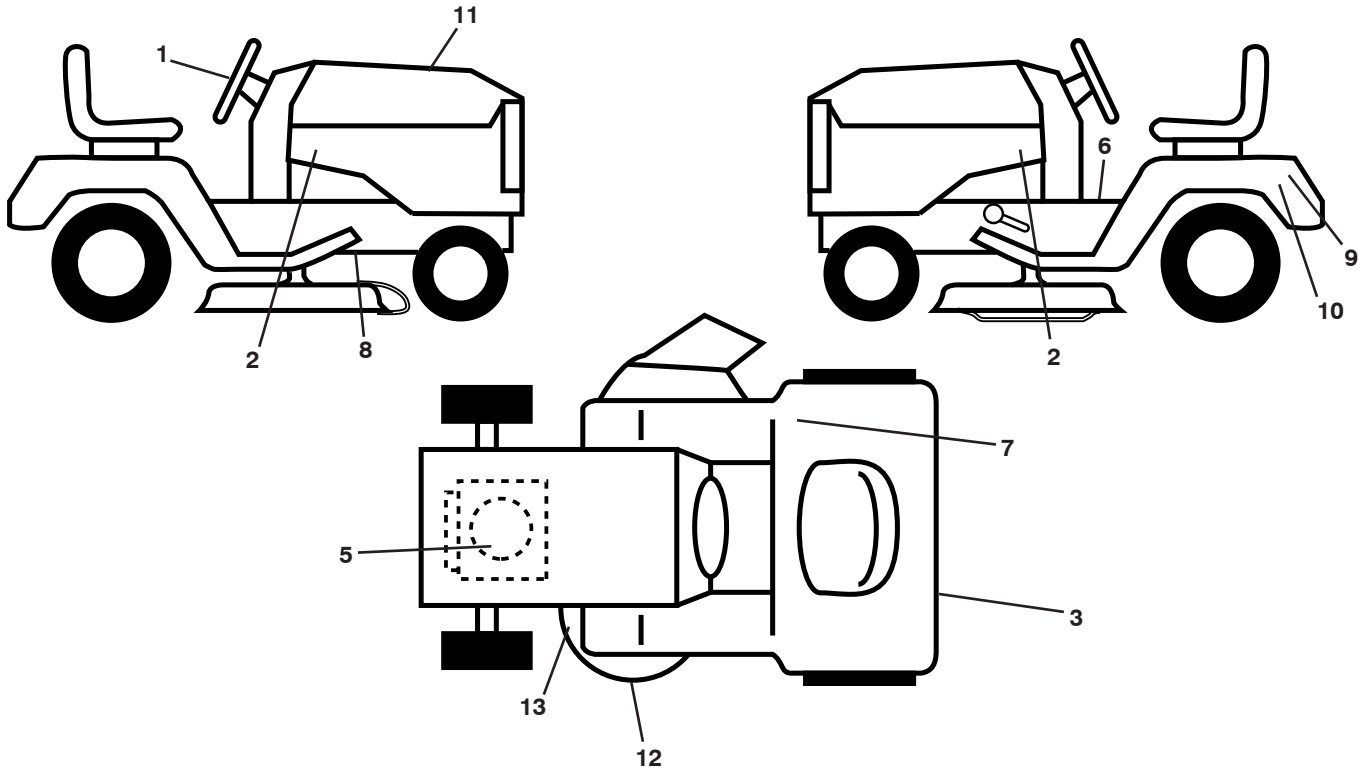
KEY NO.	PART NO.	DESCRIPTION
2	422027	Shaft Asm., Cross Lift
3	426896	Lever Asm., Lift RH
7	196492X428	Grip, Lever
10	196314	Spring Torsion
87	194209	Pin Cotter 7/16 Bow Tie Lock
88	410710	Spring Lift Assist
89	19191912	Washer Clear Zinc
90	194208	Pin Cotter 5/16 Bow Tie Lock

KEY NO.	PART NO.	DESCRIPTION
91	195181	Link Lift Susp Mower Rear
97	17000612	Screw 3/8-16 x .75
98	195270	Link Lift Susp. Front Mower
100	73930600	Nut Centerlock 3/8-16 unc
101	407003	Link Asm Lift Fixed

NOTE: All component dimensions given in U.S. inches
1 inch = 25.4 mm

TRACTOR - - MODEL NUMBER 944.602640

DECALS



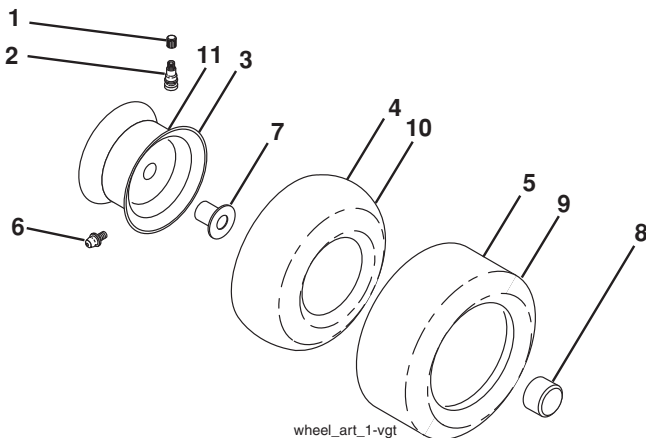
KEY PART NO. NO.

KEY PART NO.	NO.	DESCRIPTION
1	439525	Decal, Steering
2	443183	Decal, Hood
3	441121	Decal, Fender
4	170563	Decal, Mower
5	426028	Decal, Engine HP
6	411658	Decal, Fender Warning
7	435286	Decal, Warning spark
8	421534	Decal, V-Belt Schematic Drive
9	149517	Decal, Battery Warning

KEY PART NO. NO.

KEY PART NO.	NO.	DESCRIPTION
10	448709	Decal, Battery
11	580385701	Decal, Replacement
12	426593	Decal, Mower Precision
13	160396	Decal, Mower V-Belt SCH.
--	193226X428	Pad, Footrest LH
--	193227X428	Pad, Footrest RH
--	166960	Decal, Bypass
--	580402324	Manual, Operator's (English/French)
--	580402426	Manual, Parts (English/French)

WHEELS AND TIRES



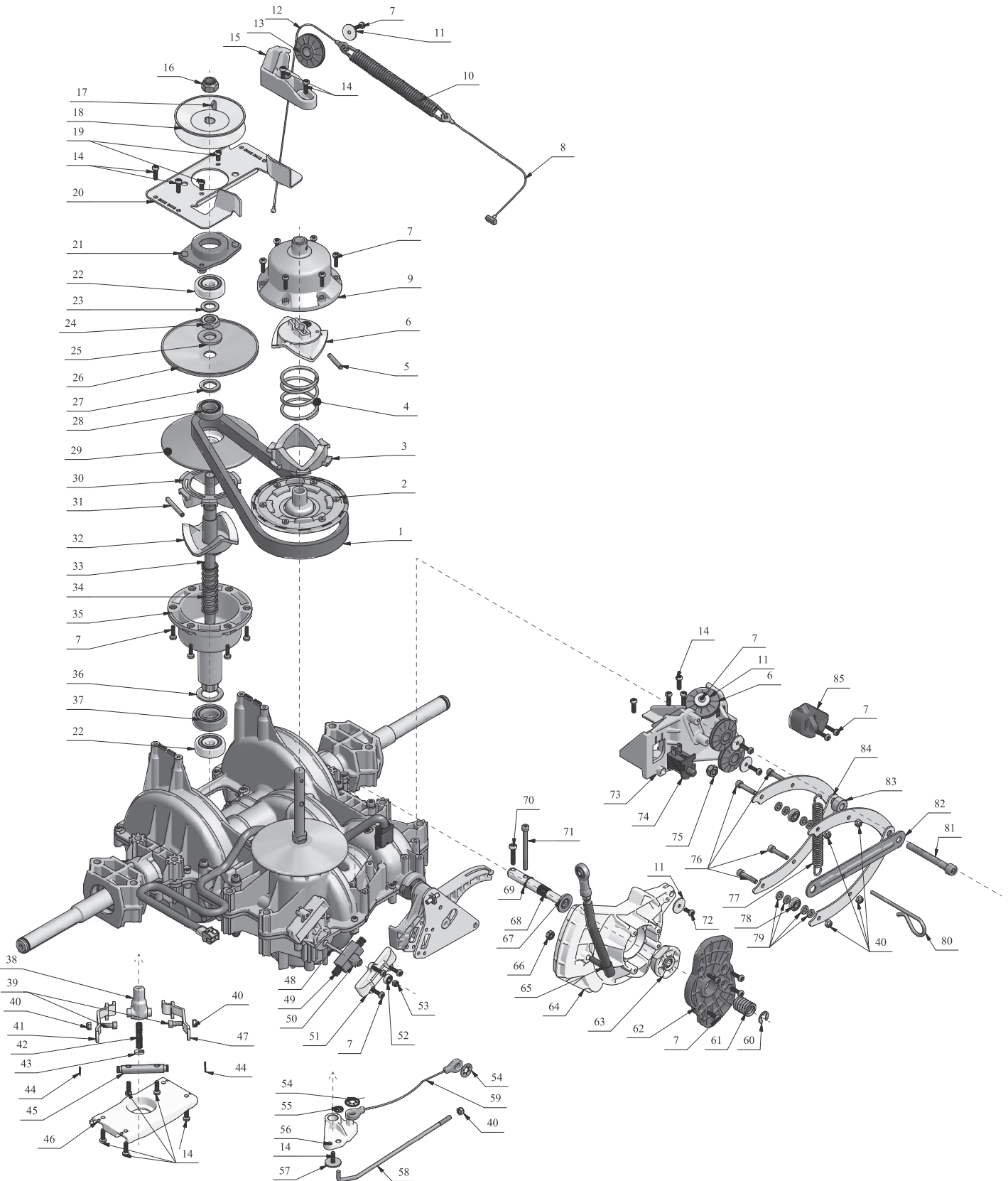
KEY PART NO. NO.

KEY PART NO.	NO.	DESCRIPTION
1	59192	Cap, Valve, Tire
2	65139	Stem, Valve
3	106732X613	Rim Assembly, Front
4	59904	Tire, Front
5	106222X	Tire, Front
6	278H	Fitting, Grease
7	9040H	Bearing, Flange
8	104757X428	Cap, Axle (Front Wheel Only)
9	420531	Tire, Rear 18 x 9.5-8c
10	7152J	Tube, Rear
11	106108X613	Rim Assembly, Rear
--	144334	Sealant, Tire (10 oz. Tube)

NOTE: All component dimensions given in U.S. inches
1 inch = 25.4 mm

TRACTOR - - MODEL NUMBER 944.602640

GENTRANS TRANSAXLE - VATR



**TRACTOR - - MODEL NUMBER 944.602640
GENTRANS TRANSAXLE - VATR**

KEY PART NO. NO.	DESCRIPTION	KEY PART NO. NO.	DESCRIPTION		
1	426740	Belt	46	426788	Inferior plate
2	426739	Flange	47	426787	Lever
3	426738	Ramp	48	426786	Screw M4 (0.7Nm)
4	426737	Spring	49	426785	Spring
5	426736	Pin	50	426784	Inversion axle
6	426735	Fixed ramp	51	426783	Cover
7	426734	Screw 4x16 (torque 2.2Nm)	52	426782	Ball bearing 604.2RS
8	426733	Cable	53	426781	Nut M4
9	426732	Cap	54	426780	Starlock Ø8
10	426731	Spring	55	426779	Starlock Ø4
11	426730	Washer	56	426778	Lever
12	426729	Cable	57	426777	Washer 5x20x1
13	426728	Cable sheave	58	426776	Rod
14	426727	Screw 5x16 (torque 2.2Nm)	59	426775	Cable
15	426726	Support 1 sheave	60	426774	Clip
16	426725	Nut M12	61	426773	Spring
17	426724	Key 4x6.5	62	426772	Cam
18	426723	Pulley	63	426771	Cone
19	426722	Screw 5x10 (torque 2.2Nm)	64	426770	Cam
20	426721	Superior plate	65	426769	Rod
21	426720	Bushing	66	426768	Nut 1/4" (5Nm)
22	426710	Ball bearing 6301.2RS	67	426767	Washer 13x24x2,5
23	426709	Washer 13x22x1.5	68	426766	Axle
24	426708	Screw M14x1.5	69	426765	Clip 12x1
25	426707	Washer 15.1x29.5x3	70	426763	Screw 5x25 (Torque 3.3Nm)
26	426706	Flange Ø15.1	71	426764	Screw M5x60 (Torque 3.3Nm)
27	426704	Washer 15.7x25.3x2	72	426762	Screw 4x10 (Torque 2.2Nm)
28	426703	Ball bearing 6002.2RS	73	426761	Support
29	426702	Flange Ø17.7	74	426758	Switch
30	426701	Mobile ramp 40°	75	426756	Nut M8
31	426700	Pin 5x40	76	426755	Screw M5x25 (Torque 2.2Nm)
32	426699	Fixed ramp 40°	77	426754	Spring
33	426698	Variator shaft	78	426753	Ball bearing 625 2RS
34	426697	Variator Spring	79	426752	Washer 5.3x10x1.7
35	426696	Cap	80	426751	Pin Ø4
36	426693	Washer 21x33x1.5	81	426750	Screw M8x70 (1.1m)
37	426692	Ball bearing 6004 2RS	82	426749	Plate
38	426691	Cable hook	83	426748	Spacer
39	426690	Screw M5x12	84	426747	Jaws
40	426689	Nut M5	85	426746	Snap-in
41	426687	Lever			
42	426686	Spring			
43	426791	Washer 3x11.7x2			
44	426790	Clips 8x0.8			
45	426789	Axle			

NOTE: All component dimensions given in U.S. inches
1 inch = 25.4 mm

TRACTOR - - MODEL NUMBER 944.602640

BRIGGS ENGINE - MODEL NUMBER 331877, TYPE NUMBER 1577-G5

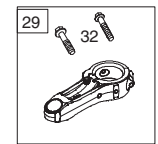
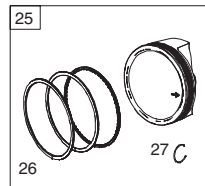
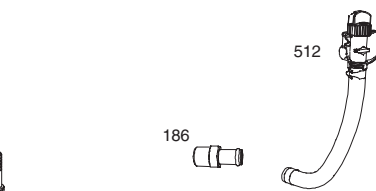
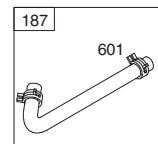
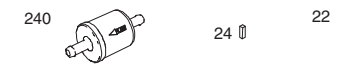
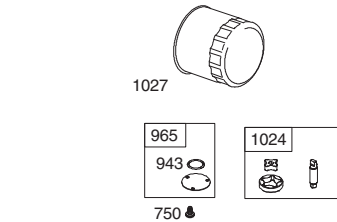
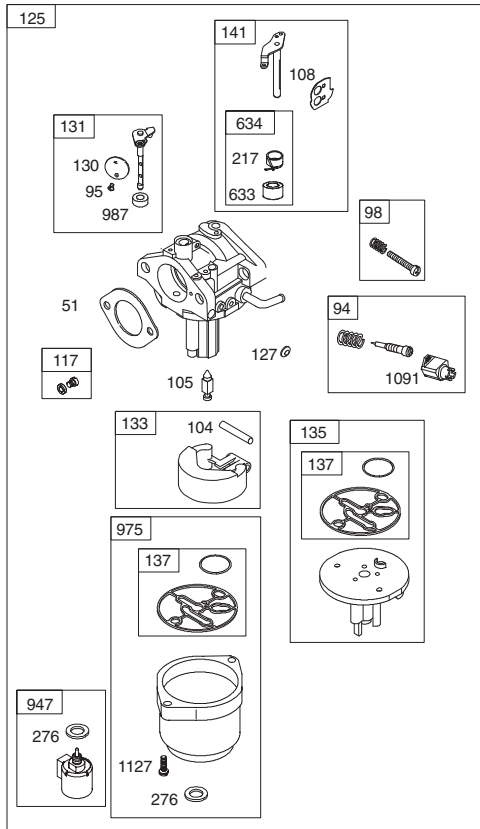
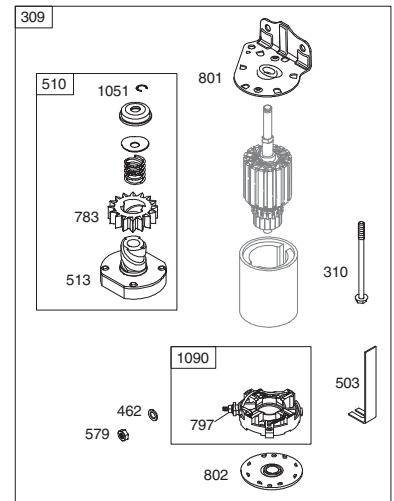
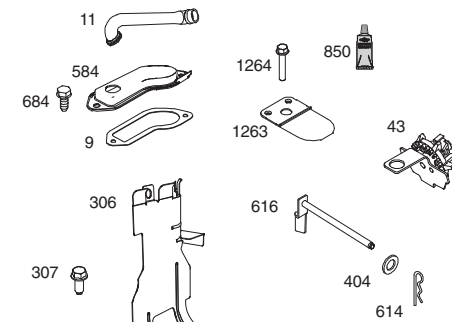
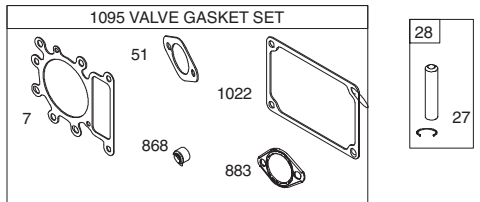
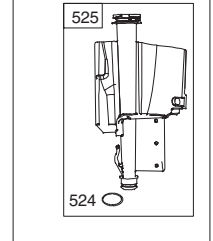
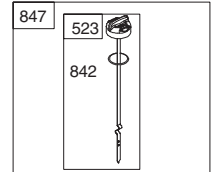
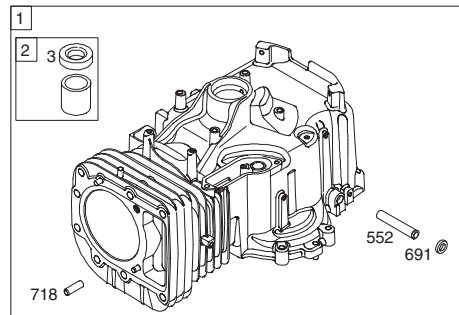
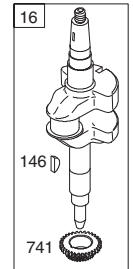
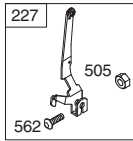
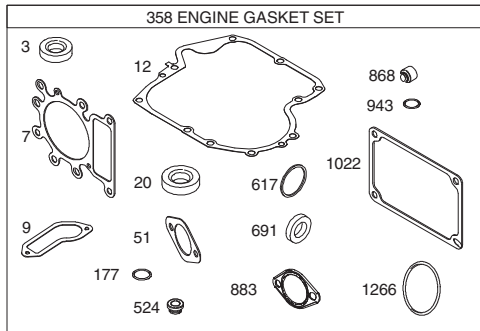
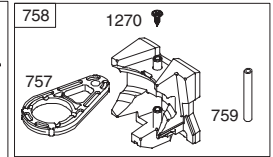
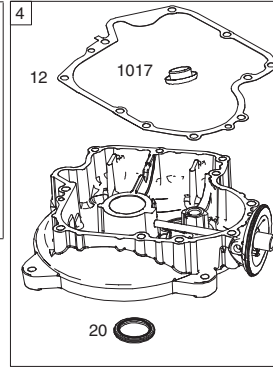
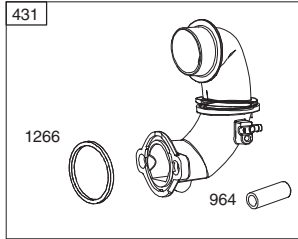
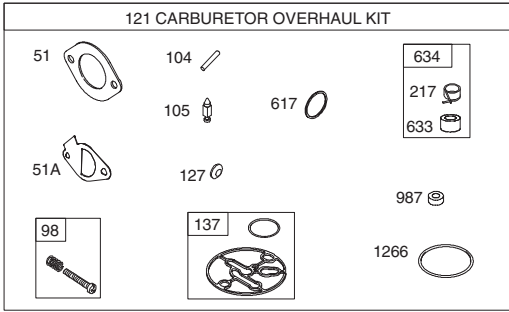
48 SHORT BLOCK

1058 OPERATOR'S MANUAL

1329 REPLACEMENT ENGINE

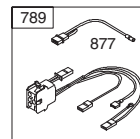
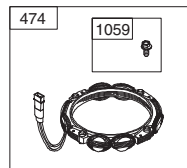
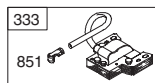
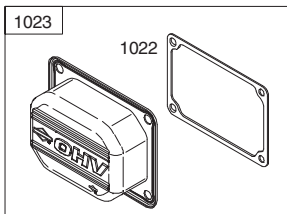
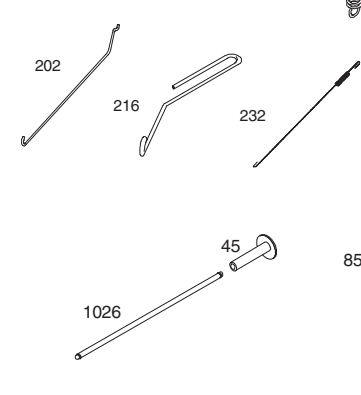
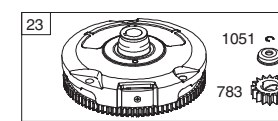
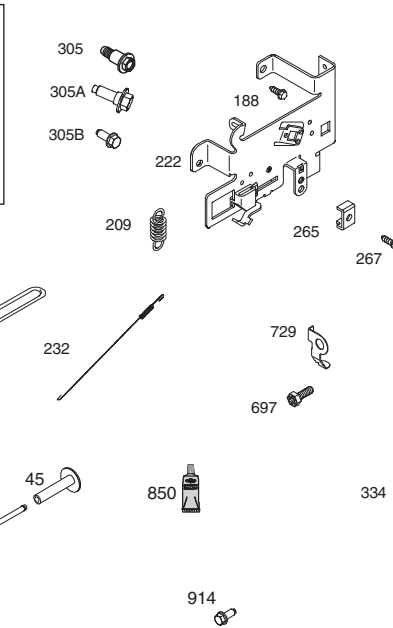
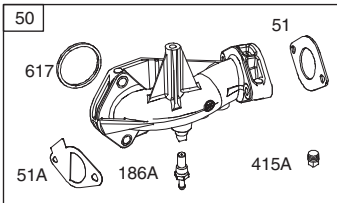
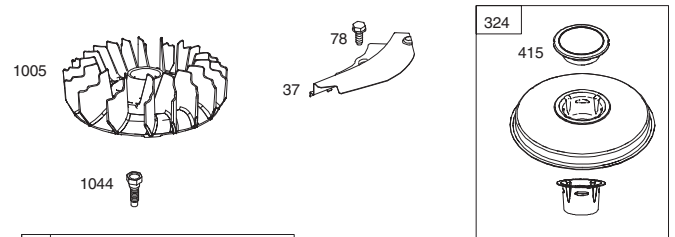
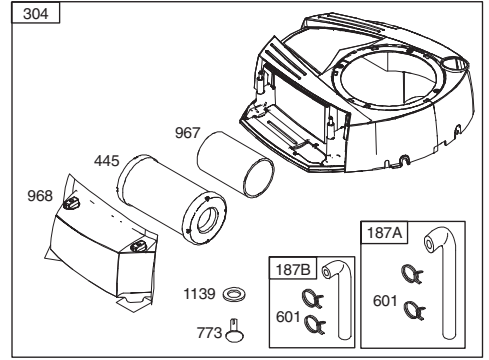
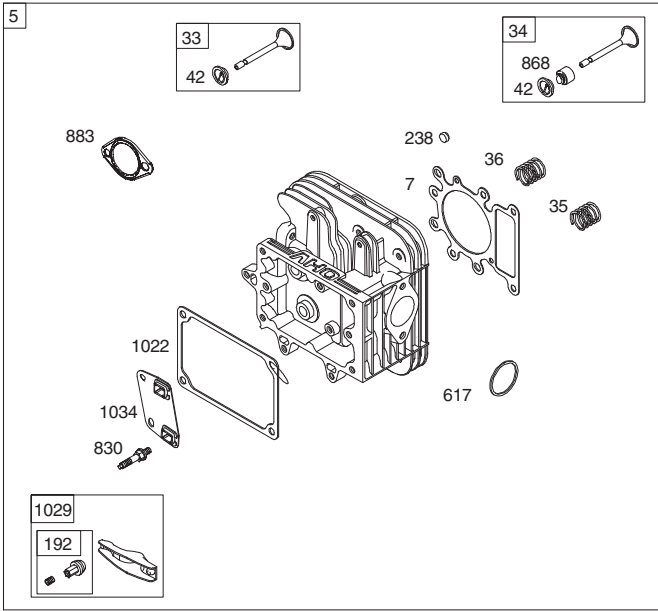
1330 REPAIR MANUAL

1036 EMISSIONS LABEL



TRACTOR - - MODEL NUMBER 944.602640

BRIGGS ENGINE - MODEL NUMBER 331877, TYPE NUMBER 1577-G5



TRACTOR - - MODEL NUMBER 944.602640
BRIGGS ENGINE - MODEL NUMBER 331877, TYPE NUMBER 1577-G5

KEY PART NO.	PART NO.	DESCRIPTION	KEY PART NO.	PART NO.	DESCRIPTION
1	794128	Cylinder Assembly	133	694914	Float-Carburetor
2	399265	Bushing/Seal Kit (Magneto Side)	135	698780	Tube-Fuel Transfer
3	391086s	Seal-Oil (Magneto Side)	137	698781	Gasket-Float Bowl
4	697188	Sump-Engine	141	792777	Kit-Choke Shaft
5	796026	Head-Cylinder	146	691639	Key-Timing
7	794114	Gasket-Cylinder Head	186	796532	Hose-Connector (Oil Drain Hose)
9	697109	Gasket-Breather	186A	794873	Hose-Connector (Intake Manifold)
11	794683	Tube-Breather	187	791805	Line-Fuel (Formed) (Cut to Required Length)
12	697110	Gasket-Crankcase	187A	791806	Line-Fuel (Formed) (21" Long) (Cut to Required Length)
13	793988	Screw (Cylinder Head)	187B	791744	Line-Fuel (Formed) (14" Long) (Cut to Required Length)
16	797585	Crankshaft	188	691693	Screw (Control Bracket)
20	795387	Seal-Oil (PTO Side)	192	691986	Adjuster-Rocker Arm
22	692125	Screw (Crankcase Cover/Sump)	202	691841	Link-Mechanical Governor
23	698281	Flywheel	209	692208	Spring-Governor (Green)
24	796335	Key-Flywheel (Steel)	216	691840	Link-Choke
25	795858	Piston Assembly (Standard)	217	695409	Spring-Choke Return
	795877	Piston Assembly (.020" Oversize)	222	694042	Bracket-Control
26	794126	Ring Set (Standard)	227	691374	Lever-Governor Control
	794127	Ring Set (.020" Oversize)	232	691842	Spring-Governor Link
27	698469	Lock-Piston Pin	238	691843	Cap-Valve
28	795861	Pin-Piston	240	691035	Filter-Fuel
29	794571	Rod-Connecting	265	691024	Clamp-Casing
32	791118	Screw (Connecting Rod)	267	794904	Screw (Casing Clamp)
33	792868	Valve-Exhaust	276	695410	Washer-Sealing
34	791935	Valve-Intake	304	798670	Housing-Blower
35	691279	Spring-Valve (Intake)	305	697102	Screw (Blower Housing) (1/4-20x1.14)
36	691279	Spring-Valve (Exhaust)	305A	793376	Screw (Blower Housing) (1/4-20x.68)
37	699882	Guard-Flywheel	305B	795891	Screw (Blower Housing) (Blower Housing to Elbow)
42	499586	Keeper-Valve	306	794953	Shield-Cylinder
43	691968	Slinger-Governor/Oil	307	691693	Screw (Cylinder Shield)
45	690564	Tappet-Valve	309	693551	Motor-Starter
46	793880	Camshaft	310	690323	Screw (Starter Motor)
48	795446	Short Block	324	796309	Screen/Cup Assembly
50	796180	Manifold-Intake	333	795315	Armature-Magneto
51	692137	Gasket-Intake	334	691061	Screw (Magneto Armature)
51A	794312	Gasket-Intake	337	793541	Plug-Spark
53	690227	Stud (Carburetor)	358	796187	Gasket Set-Engine
54	691148	Screw (Intake Manifold)	404	691691	Washer (Governor Crank)
78	691693	Screw (Flywheel Guard)	415	794129	Plug (Cover/Retainer)
94	793610	Kit-Idle Mixture	415A	794903	Plug (Intake Manifold)
95	690718	Screw (Throttle Valve)	431	799043	Elbow-Intake
98	695408	Kit-Idle Speed	445	793569	Filter-Air Cleaner Cartridge
104	694918	Pin-Float Hinge	462	691261	Washer (Starter Cable)
105	696136	Valve-Float Needle	474	696459	Alternator
108	695419	Valve-Choke	503	691532	Strap-Starter
117	796251	Jet-Main (Standard)	505	691251	Nut (Governor Control Lever)
118	791406	Jet-Main (High Altitude)			
121	796184	Kit-Carburetor Overhaul			
125	796587	Carburetor			
127	690727	Plug-Welch			
130	792747	Valve-Throttle			
131	792765	Kit-Throttle Shaft			

**TRACTOR - - MODEL NUMBER 944.602640
BRIGGS ENGINE - MODEL NUMBER 331877, TYPE NUMBER 1577-G5**

KEY PART NO. NO.	DESCRIPTION	KEY PART NO. NO.	DESCRIPTION	
510	693699	987	698777	Seal-Throttle Shaft
512	796530	1005	796084	Fan-Flywheel
513	692024	1017	796981	Screen-Oil Pump
523	699908	1022	272475s	Gasket-Rocker Cover
524	691032	1023	797421	Cover-Rocker
525	697184	1024	794644	Pump-Oil
552	697144	1026	692003	Rod-Push (Intake)
562	691119		692011	Rod-Push (Exhaust)
579	691029	1027	795890	Filter-Oil
584	794682	1029	691751	Arm-Rocker
601	791850	1034	690822	Guide-Push Rod
614	691620	1036		Label-Emissions (Available from a Briggs & Stratton Authorized Dealer)
616	692012			Plate-Trim
617	692138	1040	698368	Screw (Flywheel)
633	699813	1044	698139	Ring-Retaining
634	698779	1051	691265	Operator's Manual
635	691909	1058	276344	Kit-Screw/Washer (Alternator)
654	690958	1059	698516	Retainer-Brush
684	697157	1090	691293	Cap-Limiter
691	692407	1091	691333	Gasket Set-Valve
697	791680	1095	794152	Screw (Alternator)
718	690959	1119	691183	Screw (Float Bowl)
729	691224	1127	695407	Washer (Fuel Pump)
741	697128	1139	796449	Reed-Breather
750	790832	1263	697124	Screw (Breather Reed)
757	793242	1264	697104	Support-Blower Housing
758	793763	1265	794151	Seal-O Ring (Intake Elbow) (Red)
759	697392	1266	691917	Plug-AVS Counterweight
773	796448	1270	793243	Replacement Engine
783	693713	1329	331877- 3036-G5	Repair Manual
789	698329	1330	276781	
797	693167			
801	691283		Engine Gasket Set	Key No. 358
802	691286		Valve Gasket Set	Key No. 1095
830	691095		Carburetor Overhaul Kit	Key No. 121
842	691031			
847	790442			
850	100106			
851	692424			
868	690968			
877	790544			
883	692236			
914	697551			
943	690589			
947	699915			
964	799159			
965	499613			
967	793685			
968	795757			
975	699502			

NOTE: All component dimensions given in U.S. inches
1 inch = 25.4 mm

Get it fixed, at your home or ours!

Just Call:

1-800-4-MY-HOME[®]

(1-800-469-4663)

24 hours a day, 7 days a week

For the repair of major brand appliances **in your own home...**
no matter who made it, no matter who sold it!

For your nearest **Sears Parts and Service** location,
to bring in products like vacuums, lawn equipment and electronics.

For **Sears Parts & Service**, to order the replacement parts,
accessories and owner's manuals that you need to do-it-yourself.

www.sears.ca

To purchase or inquire about a Sears Maintenance Agreement, call:

1-800-361-6665

9 a.m. – 11 p.m. Mon. – Fri., EST, 9 a.m. – 4 p.m. Sat.

Pour service en français:

1-800-LE-FOYER^{MC}

(1-800-533-6937)

www.sears.ca



® / TM Trademarks of Sears Brands Management Corporation used under license by Sears Canada

^{MD} Marque déposée / ^{MC} Marque de commerce de Sears Brands Management Corporation utilisée en vertu d'une licence de Sears Canada

Faites-le réparer, à domicile ou à l'atelier!

Téléphonez au:
1-800-LE-FOYER^{MC}
(1-800-533-6937)
24 heures par jour, 7 jours par semaine

Pour la réparation des appareils électroménagers de grandes marques
à votre domicile ... peu importe le fabricant ou le détaillant!

Pour connaître l'emplacement du **Service des pièces et de l'entretien**
Sears le plus proche afin d'apporter à l'atelier des produits tels que
des aspirateurs, tondeuses à gazon ou appareils électroniques.

Pour connaître le no. de téléphone du **Service des pièces et de l'entretien**
Sears afin de commander les pièces de rechange, accessoires et
manuels d'instructions requis pour effectuer vous-même les réparations.

www.sears.ca

Pour acheter ou demander des renseignements
sur un contrat d'entretien Sears, téléphonez au:
1-800-361-6665

de 9 h à 23 h du lundi au vendredi (HNE), de 9 h à 16 h le samedi!

For service in English:
1-800-4-MY-HOME[®]
(1-800-469-4663)
www.sears.ca



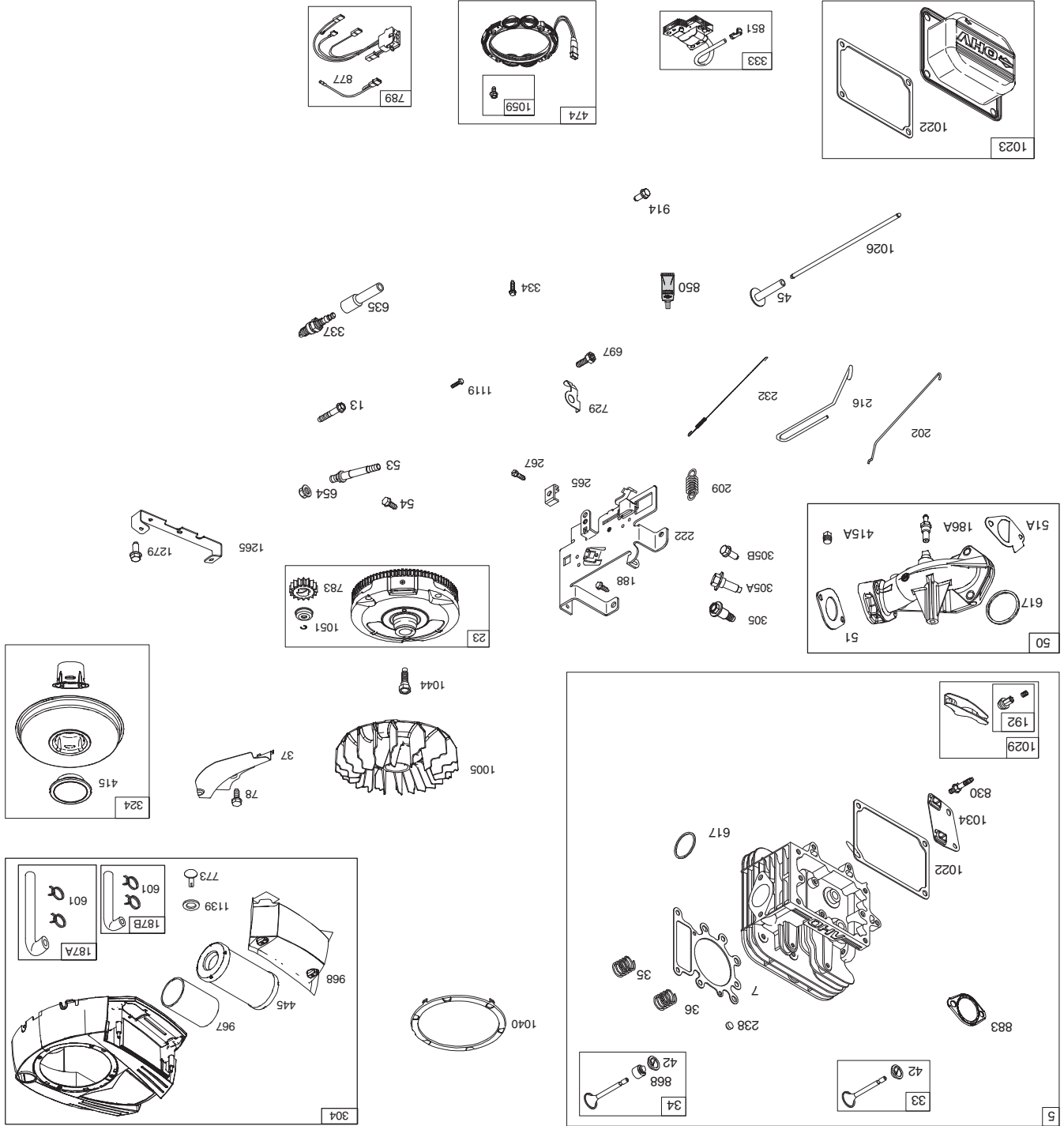
TRACTEUR - - NUMÉRO DE MODÈLE 944.602640 MOTEUR "BRIGGS & STRATTON" - NO. DE MODÈLE 331877, NO. DE TYPE 1577-G5

NO. DE PIÈCE	DESCRIPTION	NO. DE PIÈCE	DESCRIPTION	NO. DE PIÈCE	DESCRIPTION
513	Embrayage-Conduisez	975	Cuve de Carburateur	943	Vis, Couverture de Balancier
523	Jauge de Remplissage d'huile	699502	Axe de Joint-Commande de puis- sance	914	Vis, Couverture de Balancier
524	Joint d'étanchéité, Tube de Remplis- sage d'huile	698777	Ventilateur de Volant du Moteur	883	Garniture d'échappement
525	Tube de Remplissage d'huile	796084	Ecran de pompe d'huile	877	Fil/Connecteur-Alternateur
552	Douille, Manivelle du Régulateur	1017	Garniture, Couverture de Balancier	868	Joint d'étanchéité, Soupape
562	Vis de Levier de Régulateur	1022	Pompe d'huile	851	Borne, Bougie d'allumage
579	Ecro (Câble de démarrage)	797421	Tige à Frein	847	Mastic-Liquide
584	Passage de Couvrir-Renflard	692003	Tige à Frein	100106	plissage d'huile
601	Bride de Serrage de Tuyau (Green)	692011	Arête à huile	842	Ensemble des Tube et Jauge de Rem- plissage d'huile
614	Pin (Manivelle du Gouverneur)	795890	Bras de Balancier	830	Joint Torique, d'étanchéité
616	Manivelle du Régulateur	691751	Bras de Balancier	820	Bras de Goujon-Culbuteur
617	Anneau de Joint-o (tubulure de prise)	690822	Guide-Poussez Rod	801	Monture
633	Siège de Arbre de Starter/ Papillon	1034	Jeu d'étiquette (Fourni par un reven- deur autorisé Briggs & Stratton)	797	Chapeau-Conduisez
634	Assemblée de ressort/joint	1040	Plat d'équilibre	789	Ecro (Arrêt de brosse)
635	Coude de Bougie d'allumage	698368	Vis (Volant Magnéto)	783	Harnais-Câblage
654	Ecro (Carburetor)	1051	Circlip	773	Vitesse-Fignon
684	Vis, (Couverture de passage de reni- lard)	276344	Le manuel de l'opérateur	759	Arrêt
691	Joint d'axe du Gouverneur	1059	Jeu-Vis/Rondelle (Alternateur)	757	Pin-Contrepoids
697	Vis, Moteur de Rebobinage	698516	Arêteur de brosse	758	Contrepoids
718	Goupille de Emplacement	1091	Chapeau de limiteur	757	Lien-Contrepoids
718	Agrafe-Fil	691333	Fixée, Garnitures du Soupape	750	Vis, (Pompe de Couvrir-Huile)
729	691224	1119	Vis, Alternateur	741	Vitesse de Distribution
759	697392	695407	Vis, Cuve de Flotteur	729	697128
773	796448	1127	Rondelle (Pompe à essence)	718	697128
783	693713	1263	Roseau de renflard	718	697128
789	698329	697124	Appui de logement de ventilateur	718	697128
797	693167	794151	Contrepoids de Prise-AVS	718	697128
801	691283	1265	Moteur de rechange	718	697128
820	691286	1329	Réparez le manuel	718	697128
830	691095	793243	Ensemble de garniture de moteur	718	697128
842	691031	3036-G5	Ensemble de garniture de valve	718	697128
847	790442	276781	Kit de révision de carburateur	718	697128
850	100106	1330	REMARQUE: Toutes les dimensions de composant sont données en pouces E.-U., --1 pouce = 25,4 mm	718	697128
851	692424			718	697128
868	690968			718	697128
877	790544			718	697128
883	692236			718	697128
914	697551			718	697128
943	690589			718	697128
947	699915			718	697128
964	799159			718	697128
965	499613			718	697128
967	793685			718	697128
968	795757			718	697128

**TRACTEUR - - NUMÉRO DE MODÈLE 944.602640
MOTEUR "BRIGGS & STRATTON" - NO. DE MODÈLE 331877, NO. DE TYPE 1577-G5**

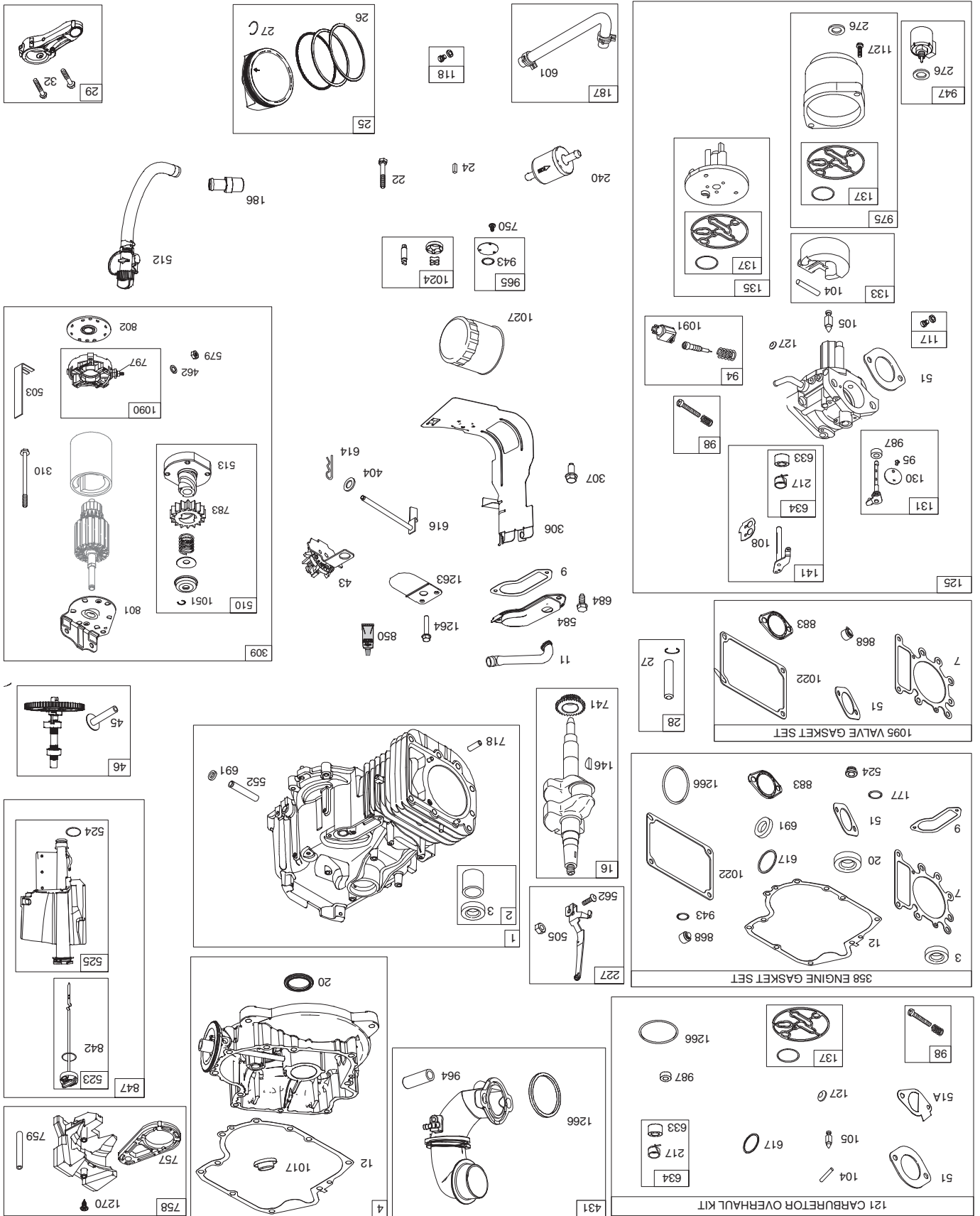
NO. NO	DE DE	RÉF. PIÈCE	DESCRIPTION	NO. NO	DE DE	RÉF. PIÈCE	DESCRIPTION
1		794128	Ensemble du Cylindre	131		792765	Jeu-Axe de commande de puissance
2		399265	Douille de Cylindre (Côté Magneto)	133		694914	Ens. de Flotteur de Carburateur
3		391086S	Bague d'étanchéité (Côté Magneto)	135		698780	Tube d'essence
4		697188	Carter de vidange-Moteur	137		698781	Garniture du Flotteur
5		796026	Tête de Cylindre	141		792777	Jeu-Obstruez l'axe
7		794114	Garniture de la Tête de Cylindre	146		691639	Cle de la Distribution
9		697109	Garniture de renfiard	186		796532	Tuyau-Connecteur (Drain de Tuyau-Huile)
11		794683	Tube de Renfiard				
12		697110	Garniture du Carter-moteur	186A		794873	Tuyau-Connecteur (Coude de prise)
13		793988	Vis de Tête de Cylindre	187		791805	Tuyau, Essence
16		797585	Vilbrequin	187A		791806	Tuyau, Essence
20		795387	Bague d'étanchéité (Côté PTO)	187B		791744	Tuyau, Essence
22		692125	Vis de Montage de Bac à Sems	188		691693	Vis, Support de Control
23		698281	Volant Magnéto	192		691986	Balancier de Réglage
24		796335	Cle de Volant	202		691841	Gouverneur Lien-Mécanique
25		795858	Piston Assembly (Standard)	209		692208	Ressort, Régulateur (Green)
26		794126	Piston Assembly (020" Oversize)	216		691840	Lien-Obstruez
		794127	Ensemble du Piston, Standard	217		695409	Ressort-Obstruez le retour
		794127	Ensemble du Piston, 0,020" OS	222		694042	Support du Carburateur
27		698469	Verrou de l'axe de Piston	227		691374	Ensemble du Levier de Régulateur
28		795861	Axe de Piston	232		691842	Lien de Ressort-Gouverneur
29		794571	Ensemble de la Bielle	238		691843	Chapeau-Valve
32		791118	Vis de Bielle	240		691035	Filter-Carburant
33		792868	Soupape d'échappement	265		691024	Bride d'enveloppe
34		791935	Soupape d'admission	267		794904	Vis (Bride d'enveloppe)
35		691279	Ressort de Soupape d'admission	276		695410	Rondelle-Cachetage
36		691279	Ressort de Soupape d'échappement	304		798670	Boitier de Soupuffie
37		699882	Protecteur de Volant Magnéto	305		697102	Vis H, Boitier de Soupuffie (1/4-20X.68)
42		499586	Guide à Soupape	305A		793376	Vis H, Boitier de Soupuffie (1/4-20X1.14)
43		691968	E Carter-Gouverneur/pétrole				
45		690564	Poussoir à Soupape	305B		795891	Vis H, Boitier de Soupuffie
46		793880	Engrenage de Came	306		794953	Protecteur de Cylindre
48		795446	Bloc court	307		691693	Vis, Protecteur de Cylindre
50		796180	Coude de prise	309		693551	Démarrreur de Rebobinage
51A		692137	Garniture de Coude d'admission	310		690323	Vis, Moteur de Rebobinage
53		690227	Stud (Carburetor)	324		796309	Assemblée d'écran/fasse
54		691148	Vis (Coude de prise)	333		795315	Armature de Magnéto
78		691693	Vis (Garde de volant)	334		691061	Vis de Armature de Magnéto
94		793610	Kit-Mélange à vide	337		793541	Bougie d'allumage
95		690718	Vis à Sems de Montage de Soupape	358		796187	Jeu de la Garniture de Moteur
98		695408	Jeu de Vitesses à Vide	404		691691	Rondelle de Levier de Régulateur
104		694918	Axe de Charnière de Flotteur	415		794129	Prise (couverture/arrêt)
105		696136	Soupape de Aiguille	415A		794903	Prise (Coude de prise)
108		695419	Soupape à Starter	431		799043	Coude de prise
117		796251	Giclette, Standard	462		691261	Rondelle (Câble de démarrage)
118		791406	Giclette, Altitude Haute	474		696459	Alternateur
121		796184	Jeu de Carburateur	503		691532	Courroie-Démarrreur
125		796587	Carburateur	505		691251	Ecroû de Levier de Régulateur
127		690727	Rondelle Obturatrice	510		693699	Conduire-Démarrreur
130		792747	Soupape de Commande des Gaz	512		796530	Drain de Tuyau-Huile

TRACTEUR - - NUMÉRO DE MODÈLE 944.602640
MOTEUR "BRIGGS & STRATTON" - NO. DE MODÈLE 331877, NO. DE TYPE 1577-G5



TRACTEUR - - NUMÉRO DE MODÈLE 944.602640 MOTEUR "BRIGGS & STRATTON" - NO. DE MODÈLE 331877, NO. DE TYPE 1577-G5

48 SHORT BLOCK 1058 OPERATOR'S MANUAL 1329 REPLACEMENT ENGINE 1330 REPAIR MANUAL 1036 EMISSIONS LABEL

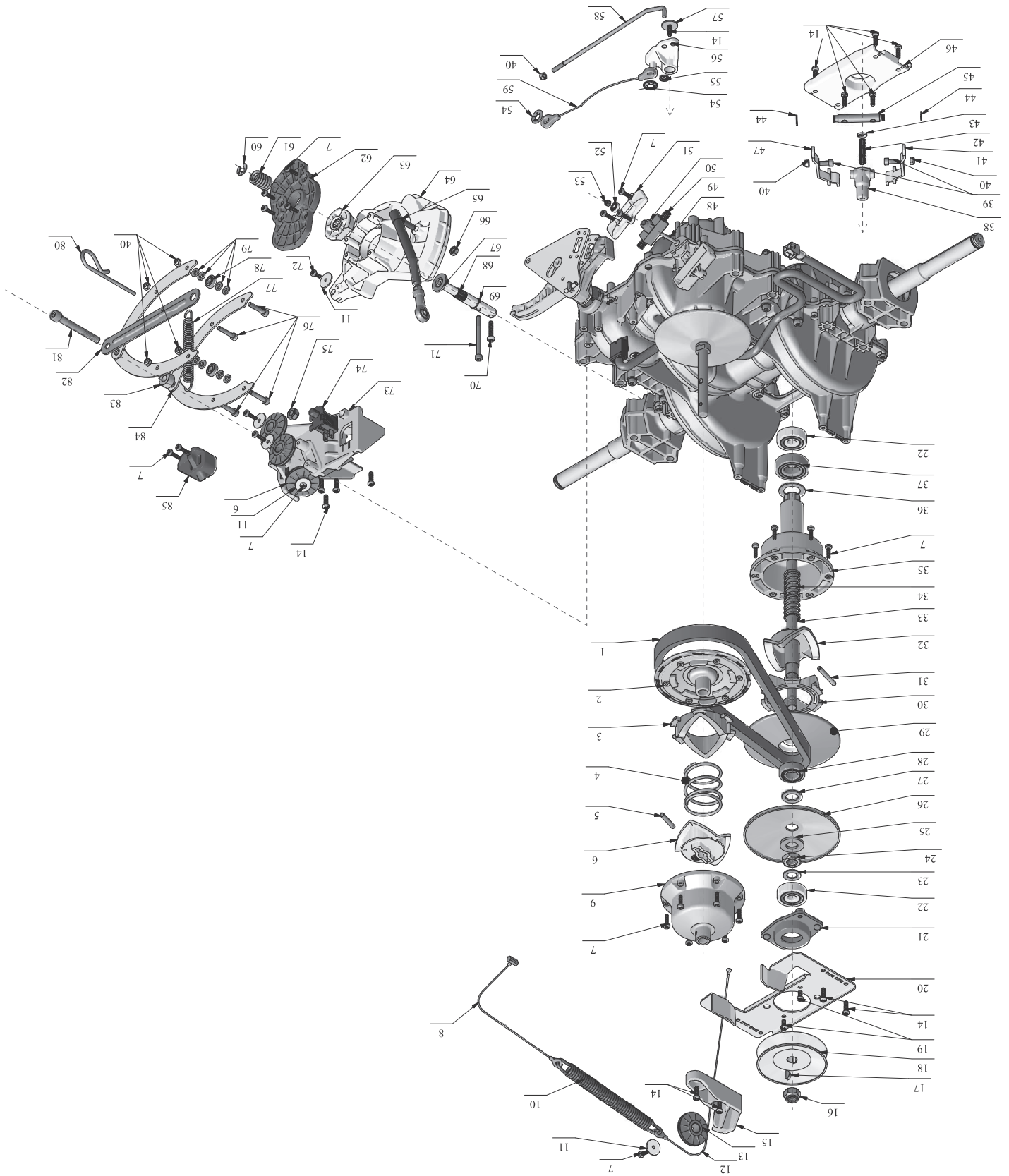


TRACTEUR - - NUMÉRO DE MODÈLE 944.602640 TRANSMISSION GENTRANS - VART

NO. DE REF.	DESCRIPTION	NO. DE REF.	DESCRIPTION
1	426740	47	426787
2	426739	48	426786
3	426738	49	426785
4	426737	50	426784
5	426736	51	426783
6	426735	52	426782
7	426734	53	426781
8	426733	54	426780
9	426732	55	426779
10	426731	56	426778
11	426730	57	426777
12	426729	58	426776
13	426728	59	426775
14	426727	60	426774
15	426726	61	426773
16	426725	62	426772
17	426724	63	426771
18	426723	64	426770
19	426722	65	426769
20	426721	66	426768
21	426720	67	426767
22	426710	68	426766
23	426709	69	426765
24	426708	70	426763
25	426707	71	426764
26	426706	72	426762
27	426704	73	426761
28	426703	74	426758
29	426702	75	426756
30	426701	76	426755
31	426700	77	426754
32	426699	78	426753
33	426698	79	426752
34	426697	80	426751
35	426696	81	426750
36	426693	82	426749
37	426692	83	426748
38	426691	84	426747
39	426690	85	426746
40	426689		
41	426687		
42	426686		
43	426791		
44	426790		
45	426789		
46	426788		

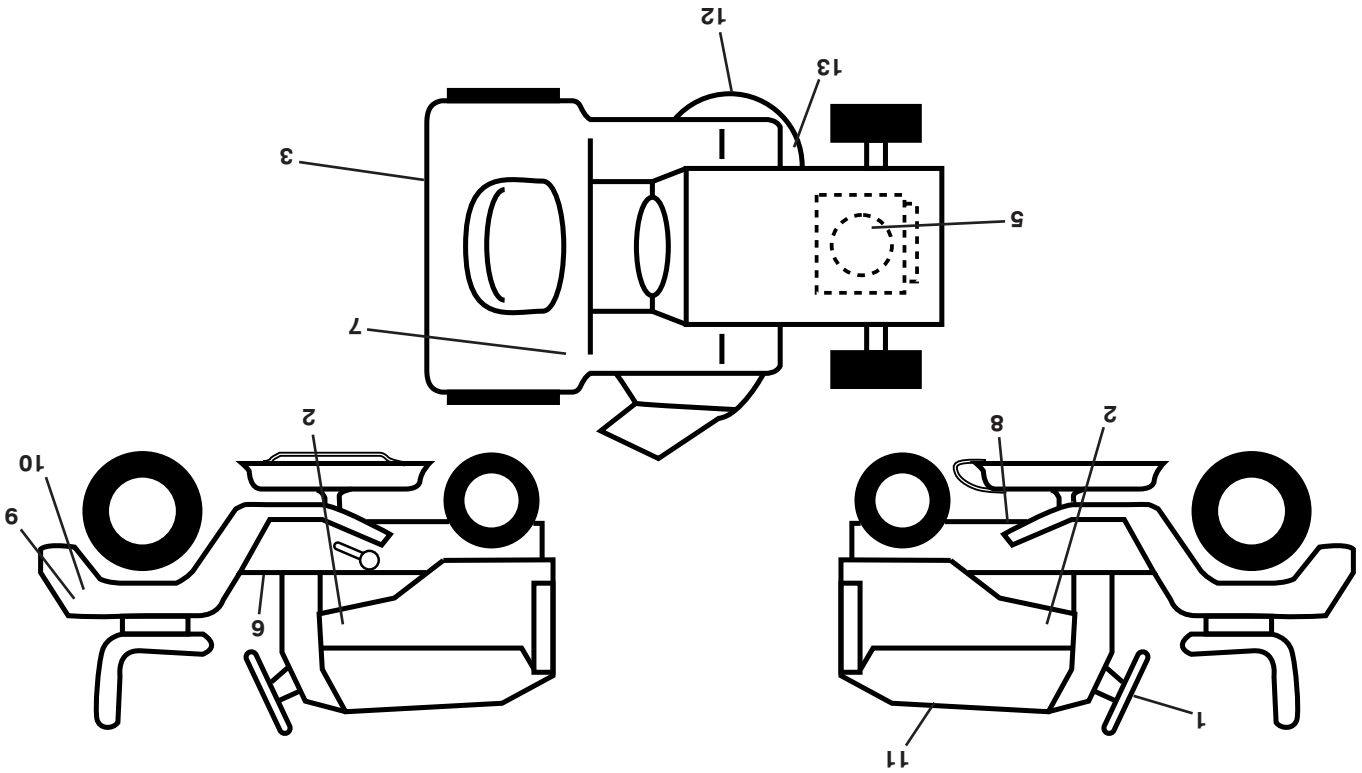
REMARQUE: Toutes les dimensions de composant sont données en pouces E.-U. -- 1 pouce = 25,4 mm

TRACTEUR - - NUMÉRO DE MODÈLE 944.602640
TRANSMISSION GENTRANS - VART



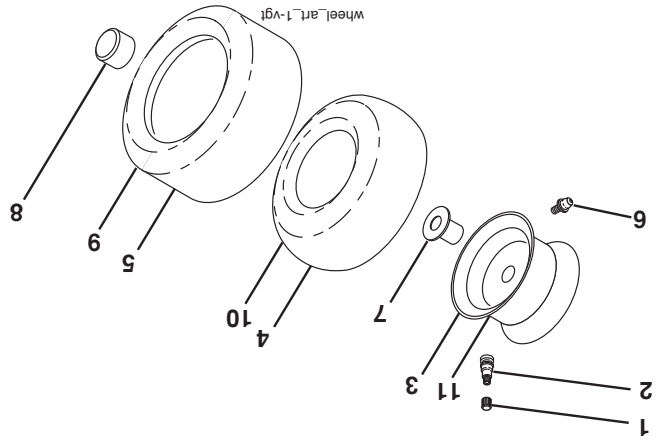
TRACTEUR -- NUMÉRO DE MODÈLE 944.602640

DECALCOMANIES



NO. DE PIÈCE	DESCRIPTION	NO. DE PIÈCE	DESCRIPTION
1	439525	10	448709
2	443183	11	580385701
3	441121	12	426593
4	170563	13	160396
5	426028	--	193226X428
6	411658	--	193227X428
7	435286	--	580402324
8	421534	--	166960
9	149517	--	580402426
			(Anglais/Français)
			Manuel des Pièces de Remplacement
			(Anglais/Français)
			Manuel de L'Opérateur
			166960
			Décalcomanie, Dérivation
			193227X428
			Coussin de repose-pied (C.D.)
			193226X428
			Coussin de repose-pied (C.G.)
			160396
			Décalcomanie de courroie de tondeuse
			426593
			Décalcomanie de tondeuse
			580385701
			Décalcomanie, Remplacement
			448709
			Décalcomanie de batterie
			443183
			Décalcomanie du capot
			441121
			Décalcomanie, Tableau De Bord
			426028
			Décalcomanie, Moteur C.V.
			411658
			Décalcomanie d'avertissement de
			Décalcomanie d'avertissement de
			Tableau De Bord
			435286
			Décalcomanie d'avertissement
			421534
			Décalcomanie de courroie
			149517
			Décalcomanie d'avertissement de bat-
			terie

PNEU

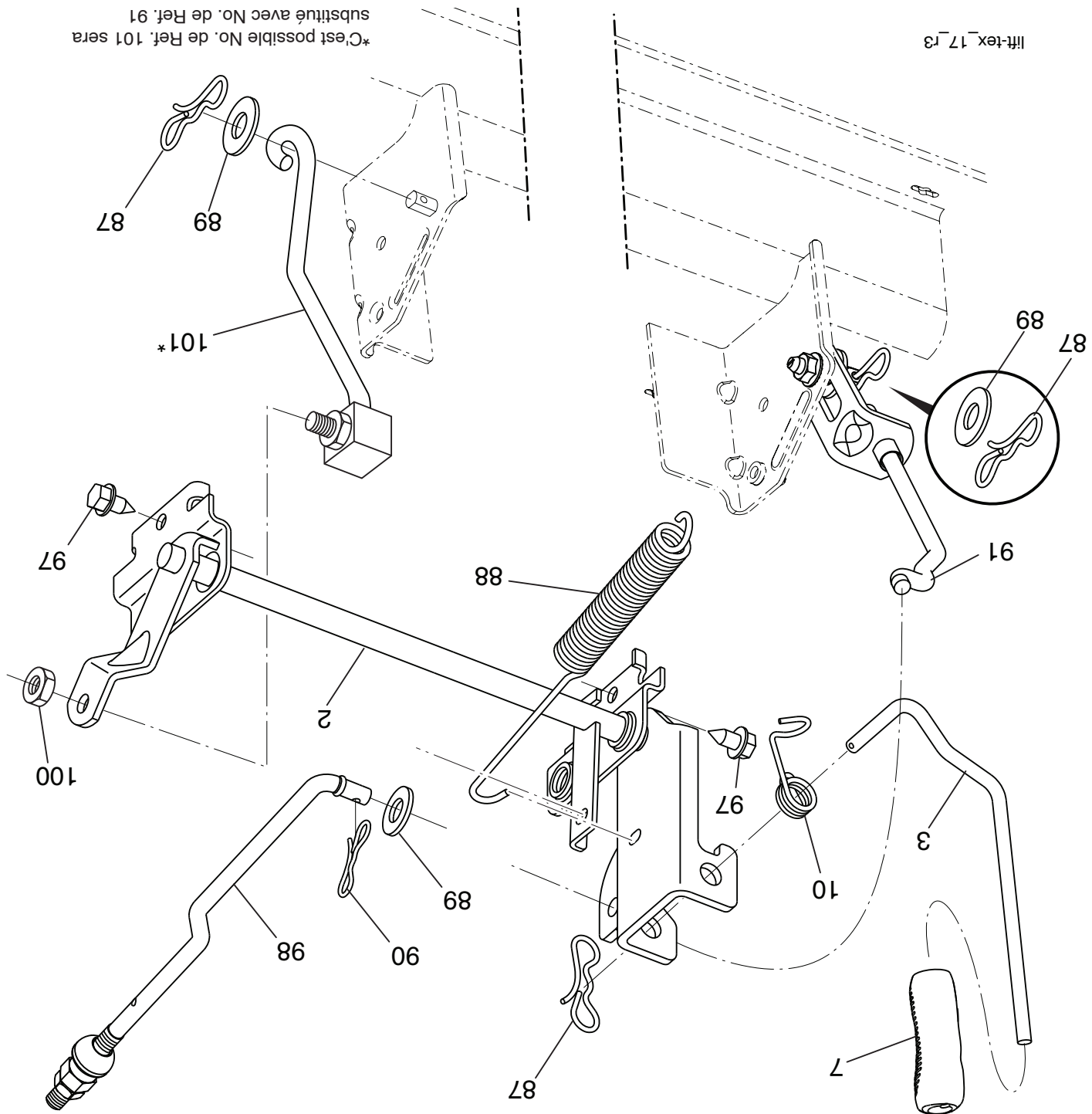


NO. DE PIÈCE	DESCRIPTION	NO. DE PIÈCE	DESCRIPTION
1	59192	1	Chapeau de soupape du pneu
2	65139	2	Tuyau du soupape
3	106732X613	3	Assemblage de la jante antérieure
4	59904	4	Chambre à air antérieure
5	106222X	5	Pneu antérieur
6	278H	6	Graisneur
7	9040H	7	Palier à collerette
8	104757X613	8	Chapeau de l'essieu (Roue antérieure seulement)
9	420531	9	Pneu arrière 18 x 9.5-8c
10	7152J	10	Chambre à air arrière
11	106108X613	11	Assemblage de la jante arrière
--	144334	--	Joint d'étanchéité de pneu (tube de .30L [10 oz. Tube])

REMARQUE: Toutes les dimensions de composant sont données en pouces E.-U. -- 1 pouce = 25,4 mm

TRACTEUR -- NUMÉRO DE MODÈLE 944.602640

LEVAGE DE LA TONDEUSE



*C'est possible No. de Ref. 101 sera substitué avec No. de Ref. 91

NO.	DE	PIÈCE	DESCRIPTION
91	195181	Tige de levage (C.G)	
97	1700612	Vis 3/8-16 x 3/4	
98	195270	Tige de levage du suspension avant	
100	73930600	Erou	
101	407003	Tige de levage pas ajustable	

REMARQUE: Toutes les dimensions de composant sont données en pouces E.-U. -- 1 pouce = 25,4 mm

NO.	DE	PIÈCE	DESCRIPTION
2	422027	Ensemble de l'arbre	
3	426896	Levier de levage (C.D.)	
7	196492X428	Poignée du levier	
10	196314	Ressort de torsion	
87	194209	Goupille fendue 7/16	
88	410710	Ressort du levage	
89	19191912	Rondelle 17/32 x 1-3/16 x 12 Ja.	
90	194208	Goupille fendue 5/16	

TRACTEUR - - NUMÉRO DE MODÈLE 944.602640

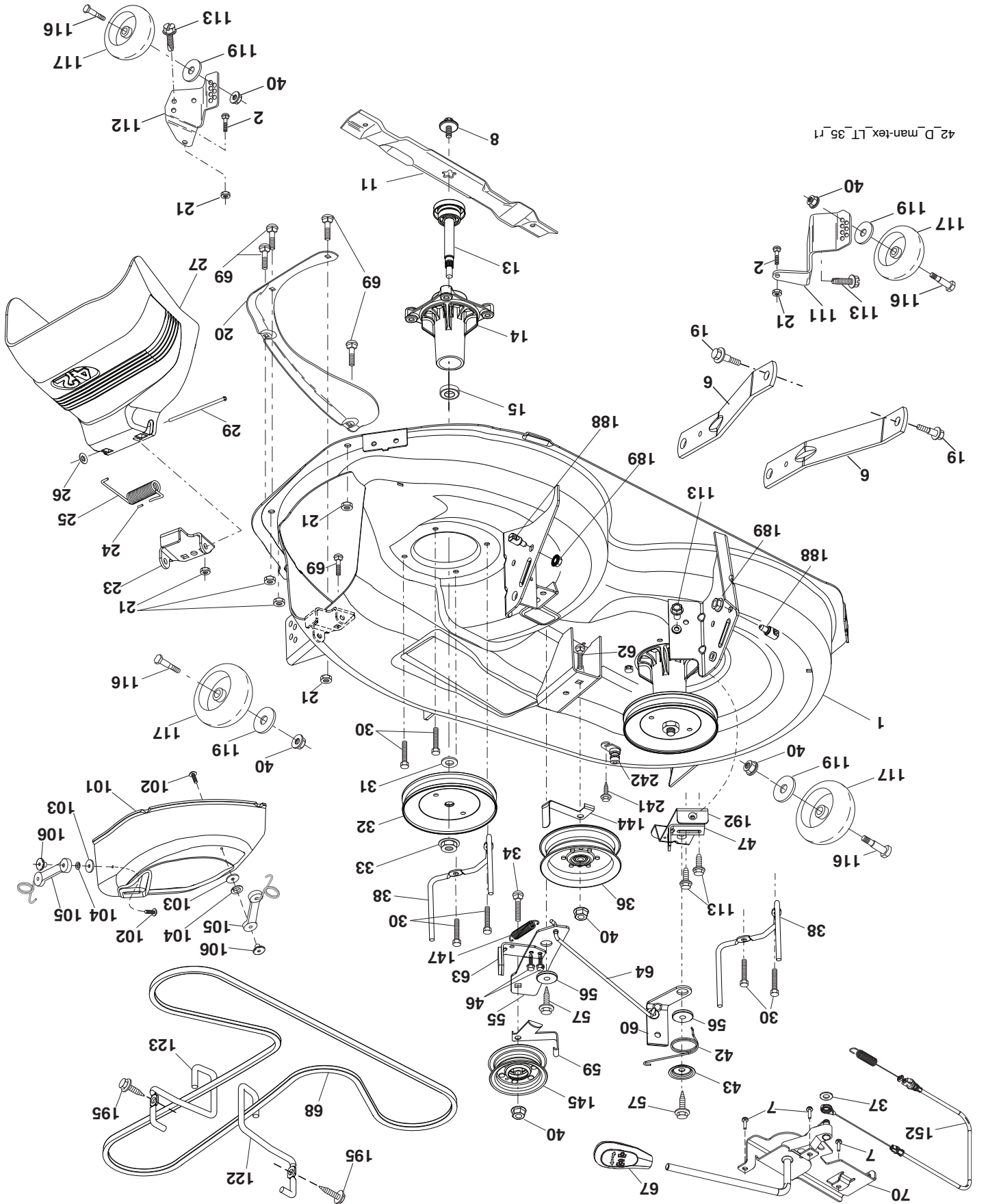
CARTER DE TONDEUSE

NO. DE RÉF. PIÈCE	DESCRIPTION	NO. DE RÉF. PIÈCE	DESCRIPTION
1	196495X615	69	72140505 Boulon 5/16-18 x 5/8
2	72140506	70	199972 Assemblage d'embranchage
6	195186	101	193107 Couverture
7	416358	102	71081010 Vis 10-24 x 5/8
8	193003	103	19061216 Rondelle #10
11	424752	104	10071000 Rondelle #10
13	192872	105	160793 Ensemble de loquet
14	187281	106	2029J Erou #327/.304 #10-24
15	110485X	111	404784 Support de roue (C.G.)
19	196539	112	404785 Support de roue (C.D.)
20	159770	113	17000510 Boulon 5/16-18
21	73680500	116	4898H Boulon
23	192557	117	188606 Roue
24	105304X	119	19121414 Rondelle
25	197026	122	197258 Garde du courroie (C.G.)
26	110452X	123	197259 Garde du courroie (C.D.)
27	424469	144	199204 Garde du courroie
29	131491	145	193197 Poulie de tension
30	173984	147	401971 Ressort de retour
31	187690	152	435111 Câble d'embranchage avec ressort
32	197473	152	195161 Attache à tenon
33	400234	189	73900500 Contre-écrou collerette
34	72110612	192	197260 Support (C.G.)
36	197379	195	17000612 Vis 3/8-16 x 3/4
37	19131316	241	152927 Vis #10-32.5. 3/8
38	432520	242	415598 Raccord de levage
40	73900600	--	416405 Connecter d'accouplement du rapide
42	198410	--	192870 Assemblage du mandrin (inclut boîtier, ensemble arbe, et palier seulement - poulie/écrou/rondelle et lame, boulon/ rondelle n'est pas inclus)
43	197256	--	437732 Tondeuse du gazon pour remplace- ment, Complète
46	137729	--	437732 Support du câble de commande
47	197250	--	437732 Tige
55	437110	--	437732 Entroise de retenue
56	199092	--	437732 Vis 3/8-16 x 1
57	17000616	--	437732 Garde de poulie
59	141043	--	437732 Tige du frein du tondeuse
60	197261	--	437732 Boulon 3/8-16 unc x 2
62	72110616	--	437732 Tige du frein du tondeuse
63	199477	--	437732 Tige du frein
64	199790	--	437732 Poignée du câble de commande
67	198398X667	--	437732 d'embranchage
68	429636	--	437732 Courroie de tondeuse

REMARQUE: Toutes les dimensions de composant sont données en pouces E.-U. -- 1 pouce = 25,4 mm

TRACTEUR - - NUMÉRO DE MODÈLE 944.602640

CARTER DE TONDEUSE



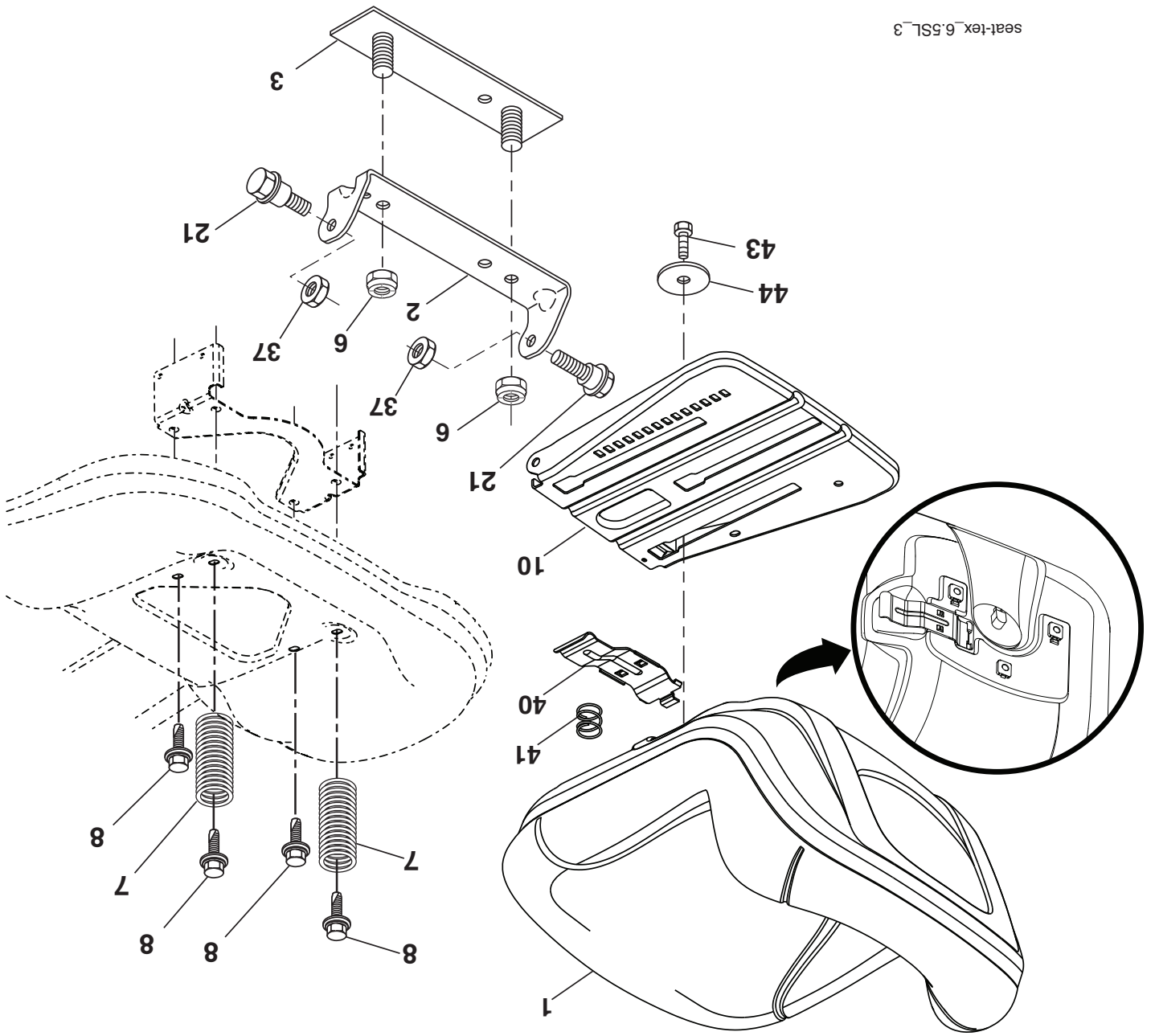
TRACTEUR - - NUMÉRO DE MODÈLE 944.602640
ENSEMBLE DU SIÈGE

NO.	DE	RÉF.	PIÈCE	DESCRIPTION
1		423645		Siège
2		180166		Support de pivot
3		140675		Support de siège
6		73800600		Contre-écrou avec rondelle insert 3/8-16
7		124181X		Ressort de compression du siège
8		171877		Boulon 5/16-18 unc x 3/4
10		196977		Panneau du siège
21		171852		Boulon 5/16-18
37		73800500		Contre-écrou 5/16-18
40		197661		Poignée de siège
41		198200		Ressort de siège
43		74760612		Boulon 3/8-16 x 3/4
44		19133812		Rondelle 13/32 x 2-3/8 x 12 Ja.

REMARQUE: Toutes les dimensions de composant sont données en pouces E.-U. -- 1 pouce = 25,4 mm

TRACTEUR - - NUMÉRO DE MODÈLE 944.602640
ENSEMBLE DU SIÈGE

seat-tex_6:SSL_3



TRACTEUR - - NUMÉRO DE MODÈLE 944.602640

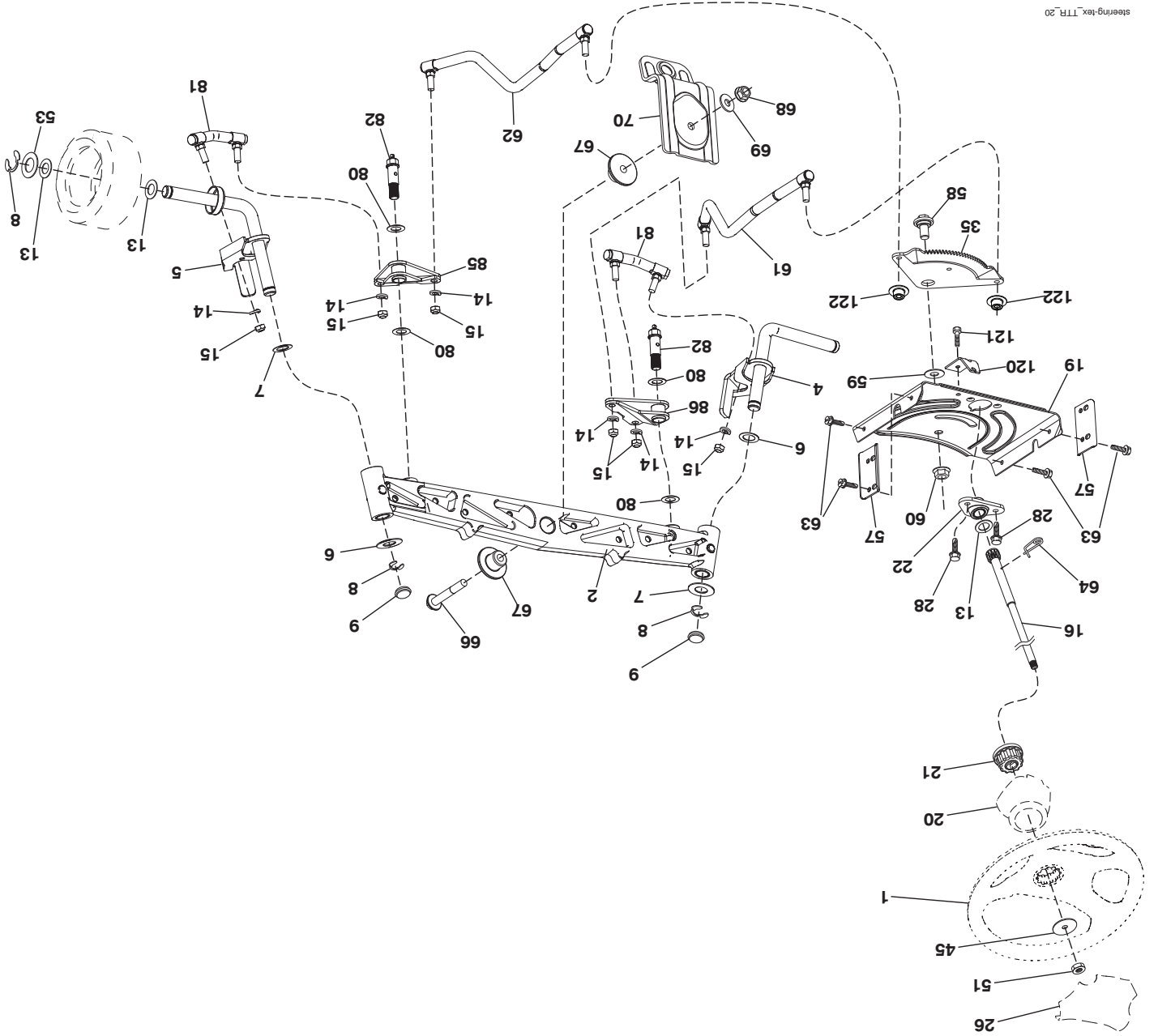
ENSEMBLE DE LA DIRECTION

NO.	DE	RÉF.	PIÈCE	DESCRIPTION
1		414803X428		Volant de direction
2		436870		Assemblage d'essieu
4		436873		Fusée d'arbre (C.G.)
5		436874		Fusée d'arbre (C.D.)
6		6266H		Pallier
7		121748X		Rondelle 25/32 x 1-5/8 x 16 Ja.
8		12000029		Anneau de retenue #T5304-75
9		184946X667		Chapeau de fusée d'arbre
13		121749X		Rondelle 25/32 x 1-1/4 x 16 Ja.
14		10040600		Rondelle 3/8
15		73540600		Erou 3/8-24 unf
16		440785		Arbre de direction
19		194729		Plaque de direction
20		199676X428		Plaque de direction
21		437747		Adaptateur du volant de direction
22		194845		Support inférieur
26		414852X428		Chapeau du volant de direction
28		17000612		Vis 3/8-16 x 3/4
35		440770		Plaque de mécanisme denté
45		19183812		Rondelle 9/16 ID x 2-3/8 OD x 12 Ja.
51		73940800		Erou 1/2-20 unf
53		188967		Rondelle : 793 x 1.637 x .060
57		407465		Support
58		194747		Boulon
59		194748		Rondelle
60		73971000		Contre-écrou collerette 5/8-11
61		436884		Tige de direction (C.G.)
62		436885		Tige de direction (C.D.)
63		17000512		Vis 5/16-18 x 3/4
64		199849		Collier de retenue
66		71020748		Boulon 7/16-14 x 3
67		194737		Coussinet
68		73900700		Contre-écrou collerette 7/16-14 Cat. 5
69		199162		Rondelle 1.5 x .505 x .118
70		196197		Support du suspension de tondeuse
80		1370H		Rondelle
81		436887		Tige (C.D.)
82		436877		Boulon
85		441873		Tige de pivot (C.D.)
86		441872		Tige de pivot (C.G.)
120		415689		Support
121		17490508		Vis 5/16-18 x 1/2
122		444962		Chapeau

REMARQUE: Toutes les dimensions de composant sont données en pouces E.-U. -- 1 pouce = 25,4 mm

TRACTEUR - - NUMÉRO DE MODÈLE 944.602640

ENSEMBLE DE LA DIRECTION



steering-lex_TFR_20

TRACTEUR - - NUMÉRO DE MODÈLE 944.602640

MOTEUR

NO. NO
DE DE
REF. REF.
PIECE PIECE

1 - - - -

Moteur B&S No. de modèle
331877-1577-G5 (442175)
(Voir la assemblage du moteur)

2 188655

Silencieux

9 194319

Garde du courroie du moteur

12 401985

Pouille du moteur

15 433007

Réservoir d'essence

18 438596

Chapeau d'essence

20 175438X428

Commande des gaz et l'étrangleur

21 416358

Vis 10 x .750

Conduite d'essence

28 401137

Jeu de pare - étincelles

37 123487X

Collier de serrage pour tuyaux flexibles

42 10040700

Rondelle 7/16

45 73510400

Ecroû 1/4-20 unc

69 165291

Garniture

79 192334

Vis 5/16-18 x .75

Tuyau d'huile

81 148456

Soupape d'huile

82 428287

17060620

Vis 3/8-16 x 1-1/4

84 17060620

Boulon 7/16-20 x 4 x Cat. 5-1.5

85 173937

Boulon 5/16-18 unc x 3/4

87 171877

Vis 3/8-16 x 1.0

90 17000616

Tuyau d'échappement

94 405450

Rondelle 9/32 x 7/8 x 16 Ja.

96 19091416

Vis 1/4-20 x 3/4

97 17670412

Ligne De Purge

138 414119

REMARQUE: Toutes les dimensions de composant sont données en pouce d'E.-U. - - 1 pouce = 25,4 mm.

Pour des pièces de service et de rechange de moteur, réclamez le numéro de téléphone libre pour votre fabricant de moteur énuméré ci-dessous:

Briggs & Stratton

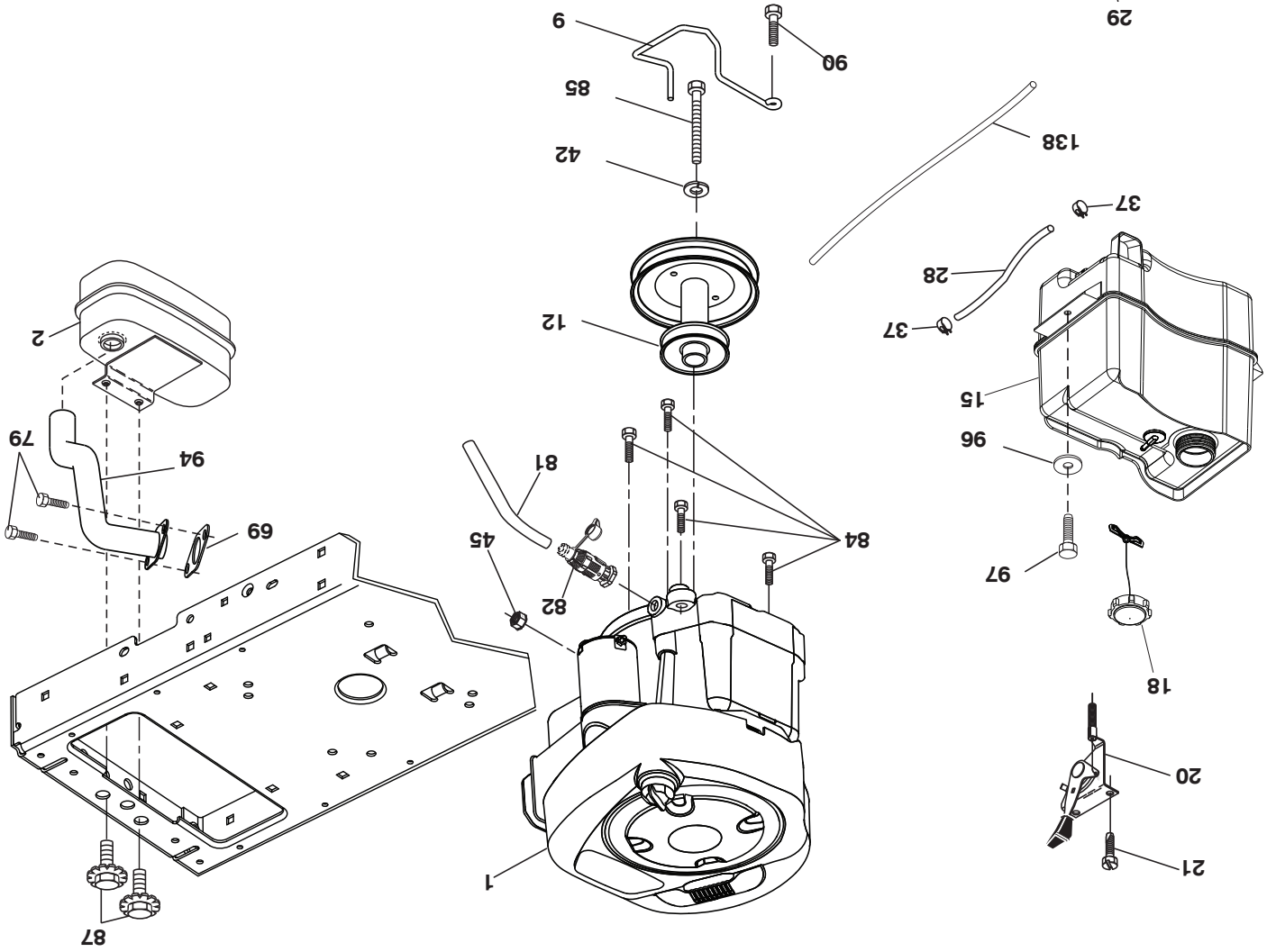
1-800-233-3723

Informations concernant la puissance théorique du moteur

La puissance brute pour chaque Modèle de moteur à essence est indiquée conformément au code J1940 (procédure de calcul de la puissance et du couple des petits moteurs) de la SAE (Society of Automotive Engineers) et les performances théoriques ont été obtenues et corrigées selon SAE J1995 (révision 2002-05). Les valeurs de couple sont calculées sur la base de 3060tr/min et celles de puissance sur la base de 3600tr/min. La puissance brute réelle du moteur peut être plus faible notamment à cause des conditions de fonctionnement et des variations d'un moteur à l'autre. Compte tenu de la grande variété de machines sur lesquelles nos moteurs sont utilisés et du nombre de problèmes environnementaux applicables au fonctionnement des équipements, il se peut que le moteur à essence ne développe pas sa puissance théorique une fois qu'il est monté sur une machine particulière (puissance nette ou réelle « sur site»). Cette différence s'explique par un grand nombre de facteurs, tels que (liste non limitative): accessoires (filtre à air, échappement, admission, refroidissement, carburateur, pompe à essence, etc.), limites d'utilisation, conditions ambiantes d'utilisation (température, humidité, altitude) et variations d'un moteur à l'autre. Pour des raisons de fabrication et de capacité limitées, Briggs & Stratton est susceptible de remplacer ce Modèle par un moteur plus puissant.

EQUIPMENT FACULTATIF
PARA-ETINCELLES

engine-tex_BS_70



TRACTEUR - - NUMÉRO DE MODÈLE 944.602640

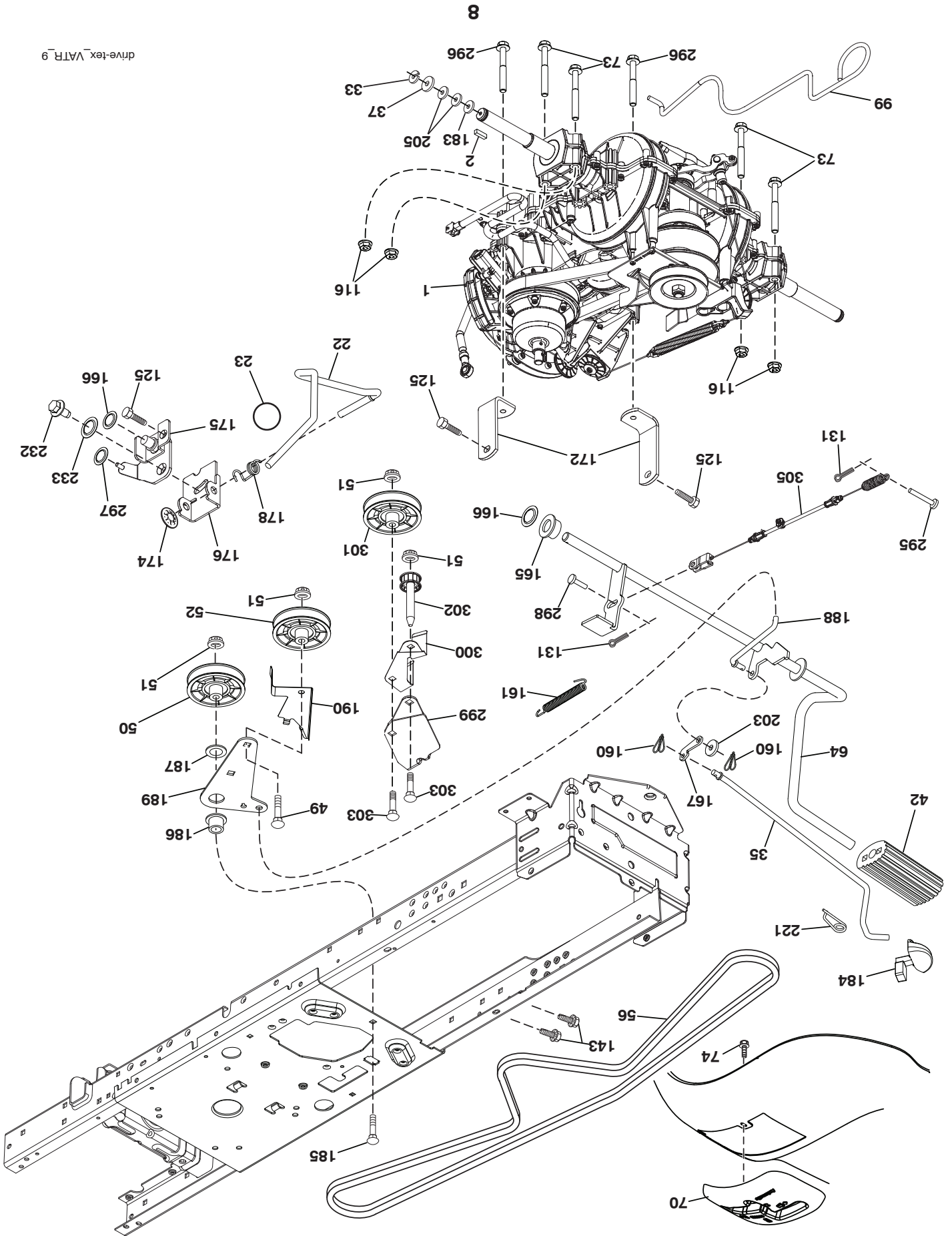
ENTRAÎNEMENT

NO. DE PIÈCE	DESCRIPTION	NO. DE PIÈCE	DESCRIPTION
1	Transmission, Gentrans (415663)	178	Ressort
2	123583	183	Essieu D'entretoise
	Cie 2.0 x .1845/.1865	184	Poignée de frein de stationnement
22	421063	185	Boulon 3/8-16 unc x 2-3/4 cat.5
23	140845	186	Entretoise
33	1200001	187	Rondelle 13/32 x 2 x 10 Ja.
35	435486	188	Raccord d'embrayage
37	121749	189	Ensemble Du Levier Coude
42	8883R	190	Garde de Poulie
49	72110614	191	Rondelle 11/32 x 11/16 x 16 Ja.
50	194327	203	Rondelle 11/32 x 11/16 x 16 Ja.
51	73900600	205	Rondelle 25/32 x 1-5/8 x 16 Ja.
52	194326	221	Ressort
56	197253	232	Boulon 7/16-14 x 1 cat.5
64	196200	233	Rondelle
70	415688X428	295	Axe De Chape 183 Od x 1.260
73	74490544	296	Vis 5/16-18 x 3
74	142432	297	Ecrou 1/4
99	427340	298	Axe De Chape
116	73900500	299	Support
125	17000512	300	Guide
131	76020312	301	Poulie
143	17490508	302	Poulie Du Gaiet-Tendeur
160	169484	303	Boulon 3/8-16 x 2-1/4
161	105709	305	Câble
165	196212		
166	429164		
167	405257		
172	415664		
174	197289		
175	415677		
176	196214		
	Ensemble de l'arbre		
	Ecrou .500		
	Attache De Torsion CD/CG		
	Loquet		
	Ecrou .625		
	Coussinet		
	Ressort De Rappel		
	Pince D'Arrêt, Collier De Retenue		
	Vis 5/16-18 x 1/2		
	Goupille Fendue 3/32/ x 3/4		
	Vis 5/16-18 x 3/4		
	Ecrou 5/16-18 unc		
	Tige De Dérivation		
	Vis 1/4 x 1/2 unc		
	Boulon 5/16-18 cat.5		
	Console		
	Ensemble de l'arbre		
	Courroie		
	Gaiet-Tendeur		
	Ecrou 3/8-16		
	Poulie du gaiet-tendeur		
	Boulon 3/8-16 unc x 1-3/4 cat. 5		
	Couverture de la pédale		
	Rondelle 25/32 X 1 1/4 x 16 Ja.		
	Tige frein de stationnement		
	Bague en E #5133-75		
	Bouton		
	Tige du changement de vitesse		

REMARQUE: Toutes les dimensions de composant sont données en pouces E.-U. -- 1 pouce = 25,4 mm

TRACTEUR - - NUMÉRO DE MODÈLE 944.602640

ENTRAÎNEMENT



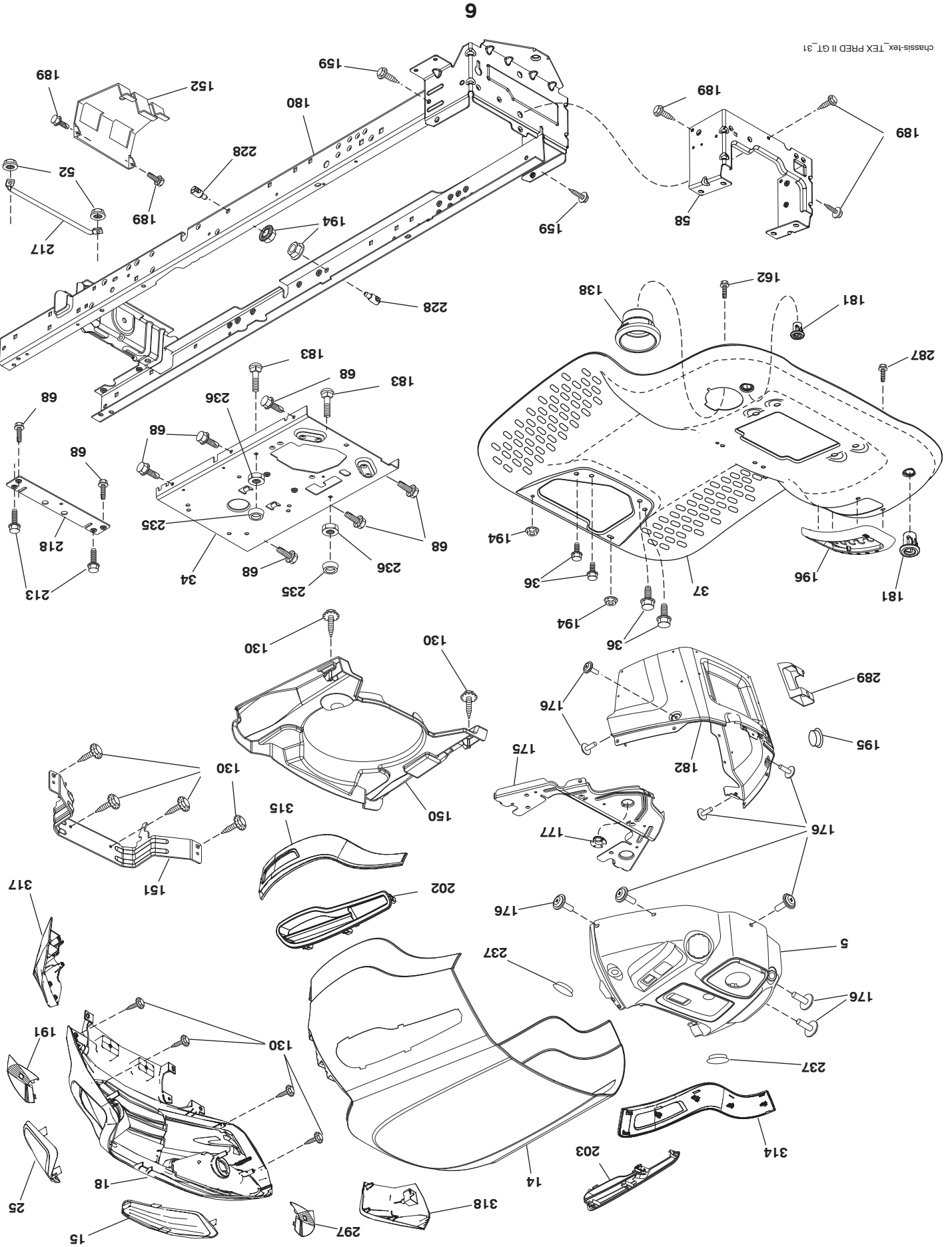
TRACTEUR - - NUMÉRO DE MODÈLE 944.602640

CHÂSSIS/ENCEINTES

NO. DE DÉ	REF. PIÈCE	DESCRIPTION
5	421810X428	Tableau de bord
14	421154X615	Capot
15	421493X599	Lentille (C.G.)
18	441721X428	Gillie
25	421494X599	Lentille (C.D.)
34	447253	Plaque
36	17060512	Vis 5/16-18 x 3/4
37	414872X615	Fender
52	73680500	Ecrou 5/16-18
58	412280	Barre d'attelage
68	17490508	Vis 5/16-18 x 1/2
130	416358	Vis #10 x 0.750
138	193224X428	Support De Tasse
150	199413	Conduit d'entrée d'air
151	445494	Support
152	199535	Bouclier de débris
159	17000612	Vis 3/8-16 x 3/4
162	142432	Vis 1/4 x 1/2
175	196304	Traverse
176	400776	Vis 10-24 x 5/8
177	195227	Coussinet
180	415063	Châssis
181	193102X428	Coussinet
182	406859	Tableau du bord intérieur
183	74520520	Boulon 5/16-18 x 1-1/4
189	17000512	Vis 5/16-18 x 3/4
191	425407	Insert (C.D.)
194	73900500	Ecrou 5/16-18
195	401556X428	Bouchon
196	431658	Assemblage du console
202	441722X428	Évente (C.D.)
203	441723X428	Évente (C.G.)
213	74760512	Boulon 5/16-18 x 3/4
217	409167	Tige
218	196395	Capot support d'arrêt
228	195161	Attache à tenon
235	406129	Entretoise du pare-chocs
236	73930500	Ecrou 5/16-18
237	403704	Bouchon
287	17600406	Vis 1/4-20 x 3/8
289	199783X428	Bouchon
297	425406	Insert (C.G.)
314	441665	Moulure de côte (C.G.)
315	441664	Moulure de côte (C.D.)
317	421257X615	Pare-chocs (C.D.)
318	421258X615	Pare-chocs (C.G.)
---	404951X428	Bouchon

REMARQUE: Toutes les dimensions de composant sont données en pouces E.-U. -- 1 pouce = 25,4 mm

TRACTEUR - - NUMÉRO DE MODÈLE 944.602640
CHÂSSIS/ENCEINTES



TRACTEUR - - NUMÉRO DE MODÈLE 944.602640

ELECTRIQUE

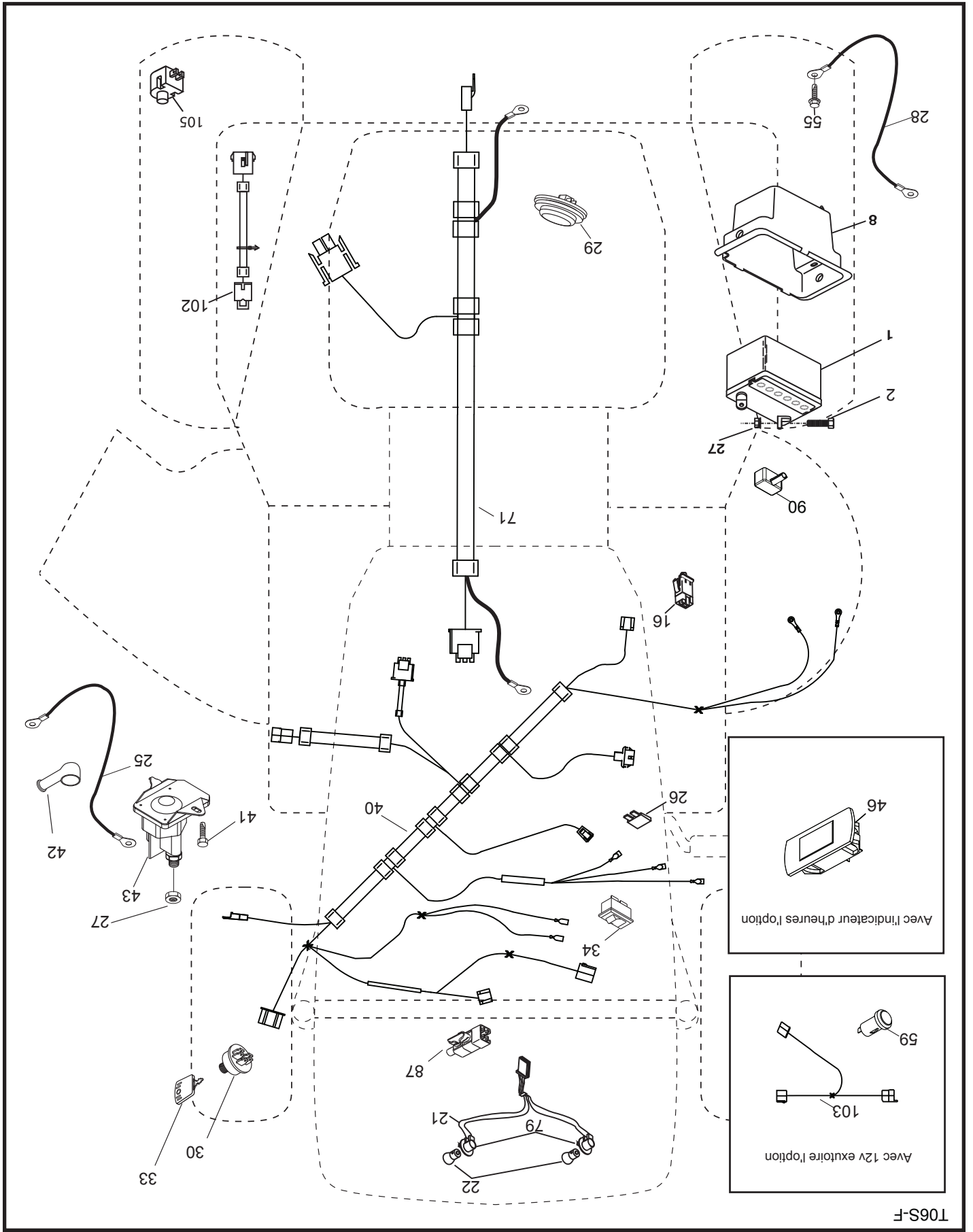
NO.	DE	REF.	DESCRIPTION
1		163465	Batterie
2		74760412	Boulon 1/4-20 unc x 3/4
8		193228	Bac de batterie
16		176138	Interrupteur
21		400252	Harnais de prise de courant d'ampoule 4152J
22		4152J	Ampoule
25		412894	Cable 6 ja. 14.5"
26		175158	Fusible
27		73510400	Ecrin 1/4-20 unc
28		198885	Câble
29		401545	Interrupteur de siège
30		193350	Interrupteur d'allumage
33		411934	Clé/Chaîne
34		110712X	Interrupteur des phares
40		401098	Harnais d'allumage
41		17720408	Vis 1/4-20 x 1/2
42		131563	Couvercle de borne
43		192507	Solénoïde
55		17060512	Vis 5/16-18 x 3/4
71		400449	Harnais d'allumage
79		175242	Prise de courant d'ampoule
87		197802	Interrupteur de verrouillage de câble d'embranchage
90		435395	Couvercle du borne de batterie
102		419781	Harnais de fil
105		407568	Commutez, renversez

REMARQUE: Toutes les dimensions de composant sont données en pouces E.-U. --1 pouce = 25,4 mm

TRACTEUR - - NUMÉRO DE MODÈLE 944.602640

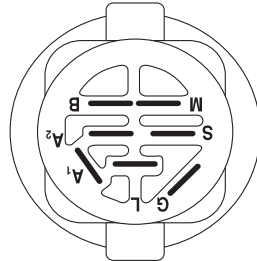
ELECTRIQUE

T06S-F

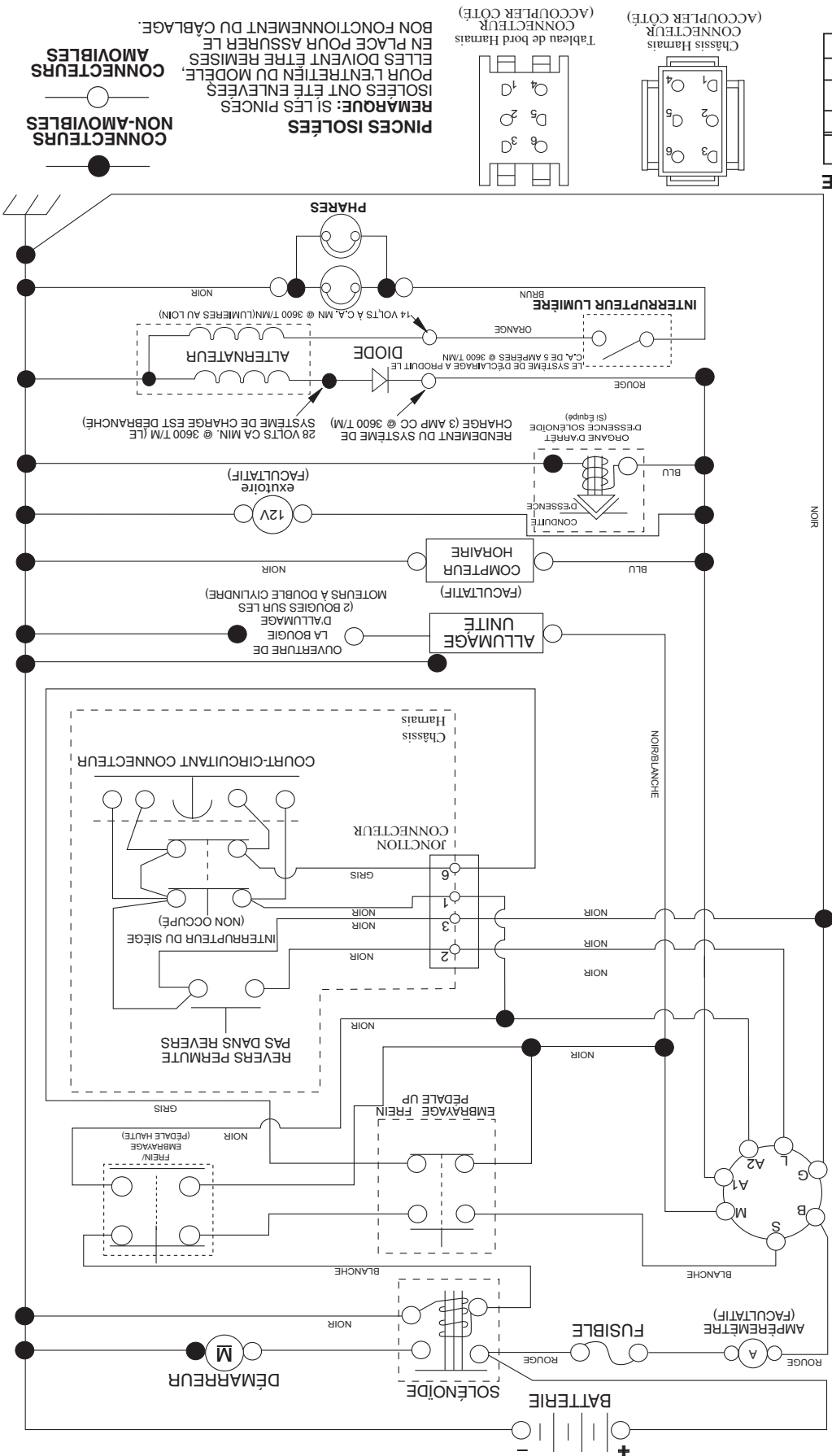


POSITION	CIRCUIT "FAITS"
ARRÊT	M + G + A1
MARCHE/ ALLUMAGE	B + A1
MARCHE	B + A1
DÉMARRAGE	B + S + A1

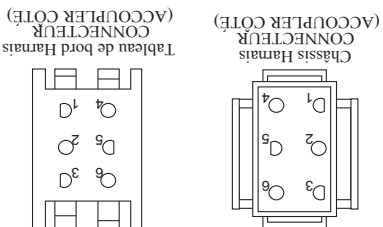
CONTACTEUR D'ALLUMAGE



REMARQUE
 VOTRE TRACTEUR EST ÉQUIPÉ D'UN SYSTÈME D'ALTERNATEUR SPÉCIAL AU LIEU D'ÊTRE BRANCHÉS SUR LA BATTERIE. LES PHARES DISPOSENT DE LEUR PROPRE SOURCE D'ÉNERGIE ÉLECTRIQUE. DONC LA BRILLANCE DES PHARES CHANGERA EN FONCTION DE LA VITESSE DU MOTEUR. AU RALENTI, LA BRILLANCE DES PHARES BAISSERA. QUAND LE MOTEUR EST ACCÉLÉRÉ, LA BRILLANCE ATTEINDRA SON MAXIMUM.



3



PINCES ISOLÉES
 REMARQUE: SI LES PINCES ISOLÉES ONT ÉTÉ ENLEVÉES POUR L'ENTRÉTIEN DU MODÈLE, ELLES DOIVENT ÊTRE REMISES EN PLACE POUR ASSURER LE BON FONCTIONNEMENT DU CÂBLAGE.

CONNECTEURS NON-AMOVIBLES

CONNECTEURS AMOVIBLES

COMMENT UTILISER CE MANUEL

Ce manuel a été dessiné pour fournir le client avec les moyens d'identification des pièces de détails du tracteur quand il/elle a besoin de commander les pièces de rechange. Les illustrations ne peuvent pas représenter exactement le modèle que vous avez acheté. N'utilisez pas ce manuel comme un guide dans le montage et/ou démontage de votre tracteur. La visserie montrée est plus grande pour faciliter l'identification.

Chaque tracteur a un numéro de modèle particulier.

Le numéro de modèle du produit se trouvera sur l'aile, dessous le siège.

Lorsque vous commandez des pièces de rechange, donnez toujours les renseignements suivants:

- Produit - "TRACTEUR"
- NUMÉRO DU MODÈLE - "944.602640"
- Numéro de la Pièce
- Description de la Pièce

TABLE DE MATIERES

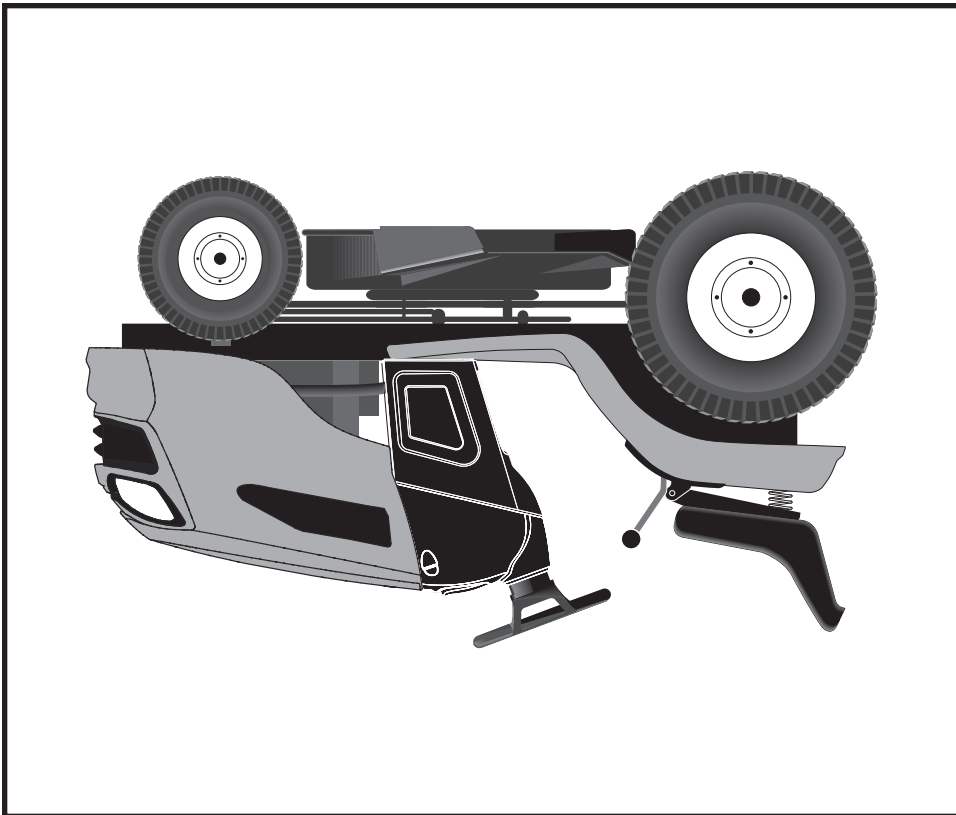
SCHEMA.....	3
ELECTRIQUE.....	4-5
CHASSIS/ENCEINTES.....	6-7
ENTRAÎNEMENT.....	8-9
MOTEUR.....	10-11
ENSEMBLE DE LA DIRECTION.....	12-13
ENSEMBLE DU SIÈGE.....	14-15
CARTER DE TONDEUSE.....	16-17
LEVAGE DE LA TONDEUSE.....	18
DECALCOMANIES.....	19
VOYEZ LES DÉTAILS DE TRANSMISSION.....	20-21
VOYEZ LES DÉTAILS DE MOTOR.....	22-25
ENTRETIEN DE "SEARS".....	26

Sears Canada, Inc., Toronto, Ontario M5B 2B8

*As estimé par le fabricant de moteur

Vous pouvez utiliser de l'essence contenant jusqu'à 10 % d'éthanol (E10) avec cet appareil. L'utilisation d'essence contenant plus de 10 % d'éthanol annulera la garantie du produit.

21,0 C.V.*
DÉMARRAGE ÉLECTRIQUE
TONDEUSE DE 107 CM (42 PO.)
AUTOMATIQUE
TRACTEUR DE PELOUSE



Importante:
Lisez et suivez
le mode d'emploi
et toutes les ré-
gles de sécurité
avant d'utiliser
cet équipement.

**NUMÉRO DE
MODÈLE
944.602640**

SEARS
**MANUEL DE
PIÈCES DE
RECHANGE**