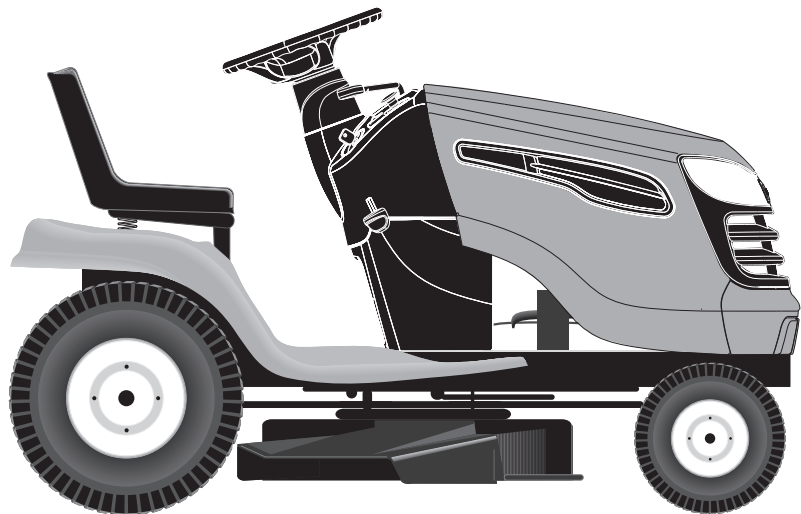


**SEARS**  
REPAIR PARTS  
MANUAL

**MODEL NO.  
944.602670**

**Important:  
Read and follow  
all Safety Rules  
and Instructions  
Before Operating  
This Equipment.**



**CRAFTSMAN®**

**24.0 HP\*  
ELECTRIC START  
46" MOWER  
AUTOMATIC TRANSMISSION  
LAWN TRACTOR**

**Gasoline containing up to 10% ethanol (E10) is acceptable for use in this machine.  
The use of any gasoline exceeding 10% ethanol (E10) will void the product warranty.**

\*As rated by the engine manufacturer

---

**Sears Canada, Inc., Toronto, Ontario M5B 2B8**

---

448298

01.27.12 CL  
PRINTED IN THE U.S.A.

# HOW TO USE THIS MANUAL

This manual is designed to provide the customer with a means to identify the parts on his/her tractor when ordering repair parts. The illustrations may or may not represent the actual assemblies; therefore, it is not recommended to use this manual as a guide to assemble or disassemble the tractor. Some hardware and parts are drawn larger in order to more readily identify them.

Each tractor has its own model number.

The model number for your tractor can be found on the fender under the seat.

When ordering parts, always give the following information:

- Product - "Tractor"
- MODEL NUMBER - "944.602670"
- Part Number
- Part Description

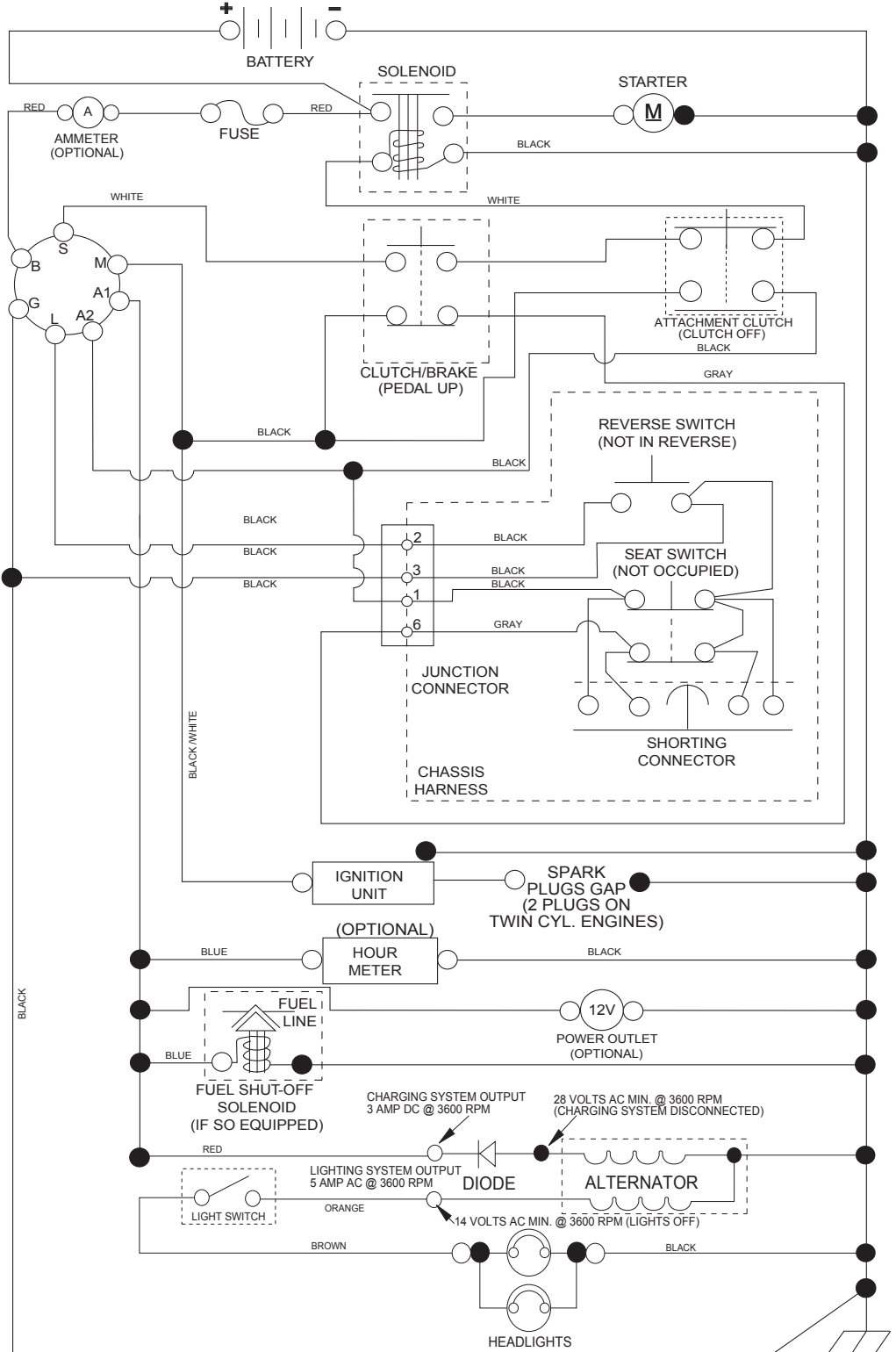
## TABLE OF CONTENTS

SCHEMATIC .....	3
ELECTRICAL.....	4-5
CHASSIS .....	6-7
DRIVE.....	8-9
ENGINE.....	10-11
STEERING .....	12
SEAT .....	13
MOWER DECK .....	14-15
MOWER LIFT.....	16
DECALS.....	17
TRANSAXLE BREAKDOWN .....	18-19
ENGINE BREAKDOWN.....	20-23
SEARS SERVICE .....	24

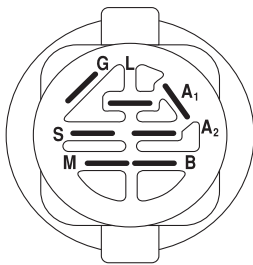
# TRACTOR - - MODEL NUMBER 944.602670

## SCHEMATIC

SCH11

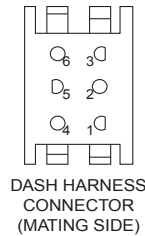
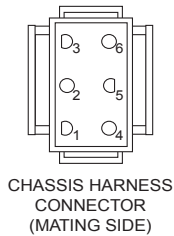


**NOTE**  
 YOUR TRACTOR IS EQUIPPED WITH A SPECIAL ALTERNATOR SYSTEM. THE LIGHTS ARE NOT CONNECTED TO THE BATTERY, BUT HAVE THEIR OWN ELECTRICAL SOURCE. BECAUSE OF THIS, THE BRIGHTNESS OF THE LIGHTS WILL CHANGE WITH ENGINE SPEED. AT IDLE THE LIGHTS WILL DIM. AS THE ENGINE IS SPEEDED UP, THE LIGHTS WILL BECOME THEIR BRIGHTEST.



IGNITION SWITCH

POSITION	CIRCUIT	"MAKE"
OFF	M+G+A1	
RUN/OVERRIDE	B+A1	
RUN	B+A1	L+A2
START	B + S + A1	

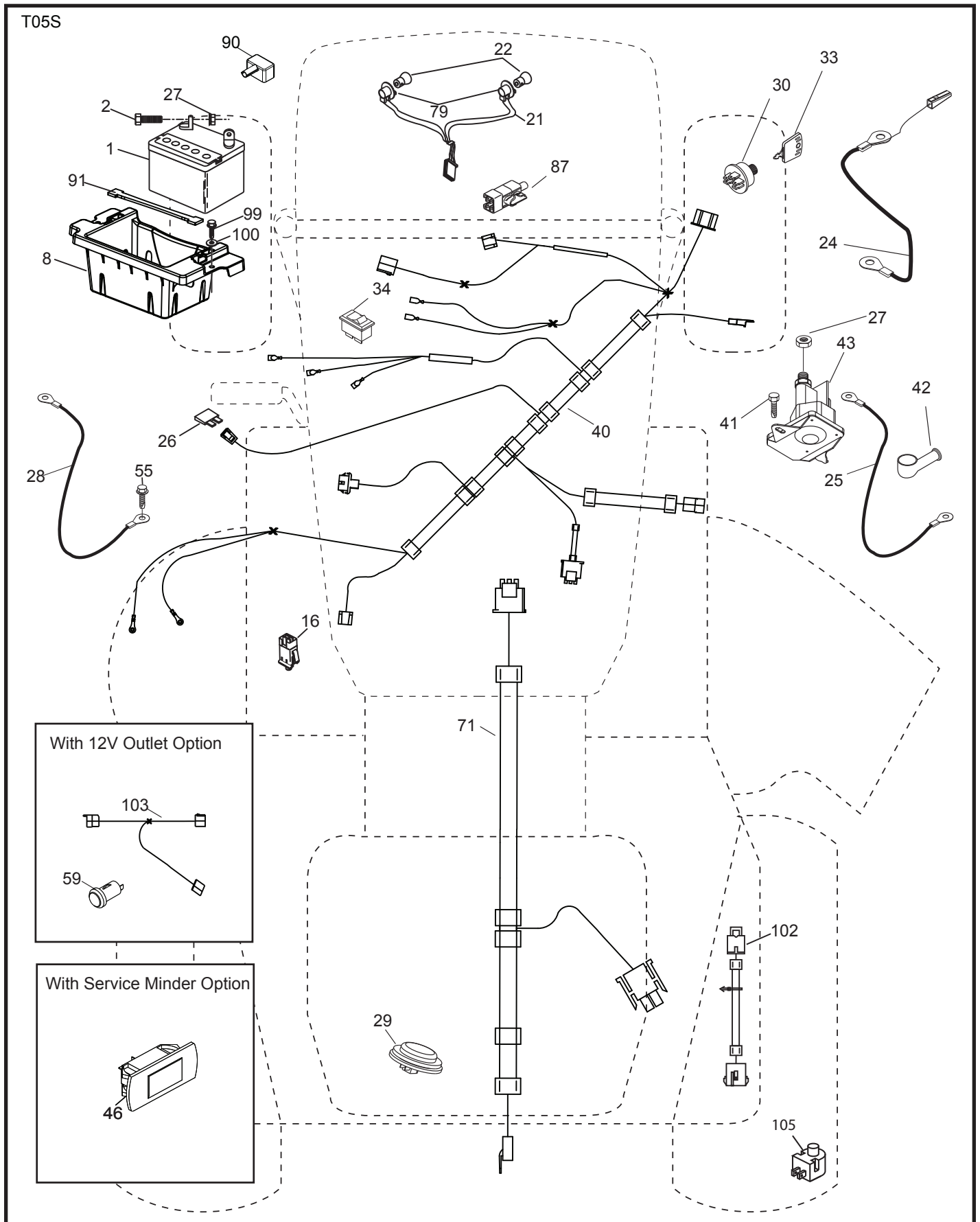


WIRING INSULATED CLIPS  
 NOTE: IF WIRING INSULATED CLIPS WERE REMOVED FOR SERVICING OF UNIT, THEY SHOULD BE RE-INSTALLED TO PROPERLY SECURE YOUR WIRING.

NON-REMOVABLE CONNECTIONS  
 REMOVABLE CONNECTIONS

# TRACTOR - - MODEL NUMBER 944.602670

## ELECTRICAL



# TRACTOR - - MODEL NUMBER 944.602670

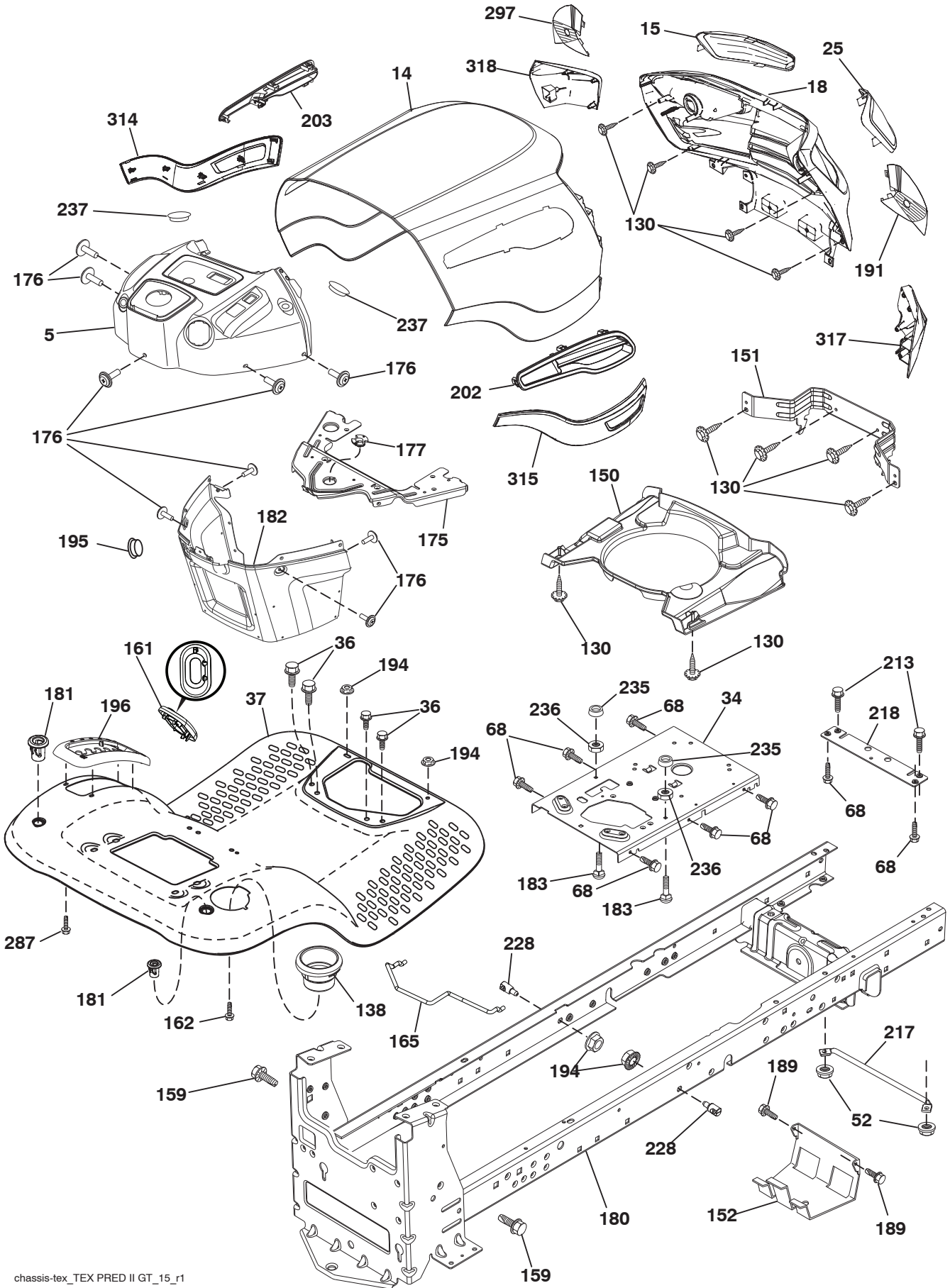
## ELECTRICAL

KEY NO.	PART NO.	DESCRIPTION
1	163465	Battery
2	74760412	Bolt Hex Hd 1/4-20 unc x 3/4
8	186491	Box Battery
16	176138	Switch Interlock Push-In
21	400252	Harness Socket Light w/4152J
22	4152J	Bulb Light
24	400253	Cable Btry.
25	412895	Cable Starter
26	175158	Fuse
27	73510400	Nut Keps Hex 1/4-20 unc
28	145491	Cable, Ground
29	401545	Switch, Seat
30	193350	Switch, Ign
33	411934	Key/Chain
34	110712X	Switch Light / Reset
40	401098	Harness Ign. Dash/Lift
41	17720408	Screw Thd Cut 1/4-20 x 1/2
42	131563	Cover, Terminal
43	192507	Solenoid
46	401763	Gauge SRVCMNDR HRMTR
55	17060512	Screw Thdrol 5/16-18 x 3/4 TYTT
71	194276	Harness Ign. Chassis/Lift
79	175242	Bulbholder Asm. Incandescent
87	197802	Switch Interlock Clutch Cable
90	435395	Cover Terminal Battery
91	190270	Strap Btry.
99	17670412	Screw Hexwsh Thdrol 1/4-20 x 3/4
100	19091416	Washer 9/32 x 7/8 16 Ga.
102	404454	Harness Pigtail
105	407568	Switch Reverse

**NOTE:** All component dimensions given in U.S. inches  
1 inch = 25.4 mm

# TRACTOR - - MODEL NUMBER 944.602670

## CHASSIS



# TRACTOR - - MODEL NUMBER 944.602670

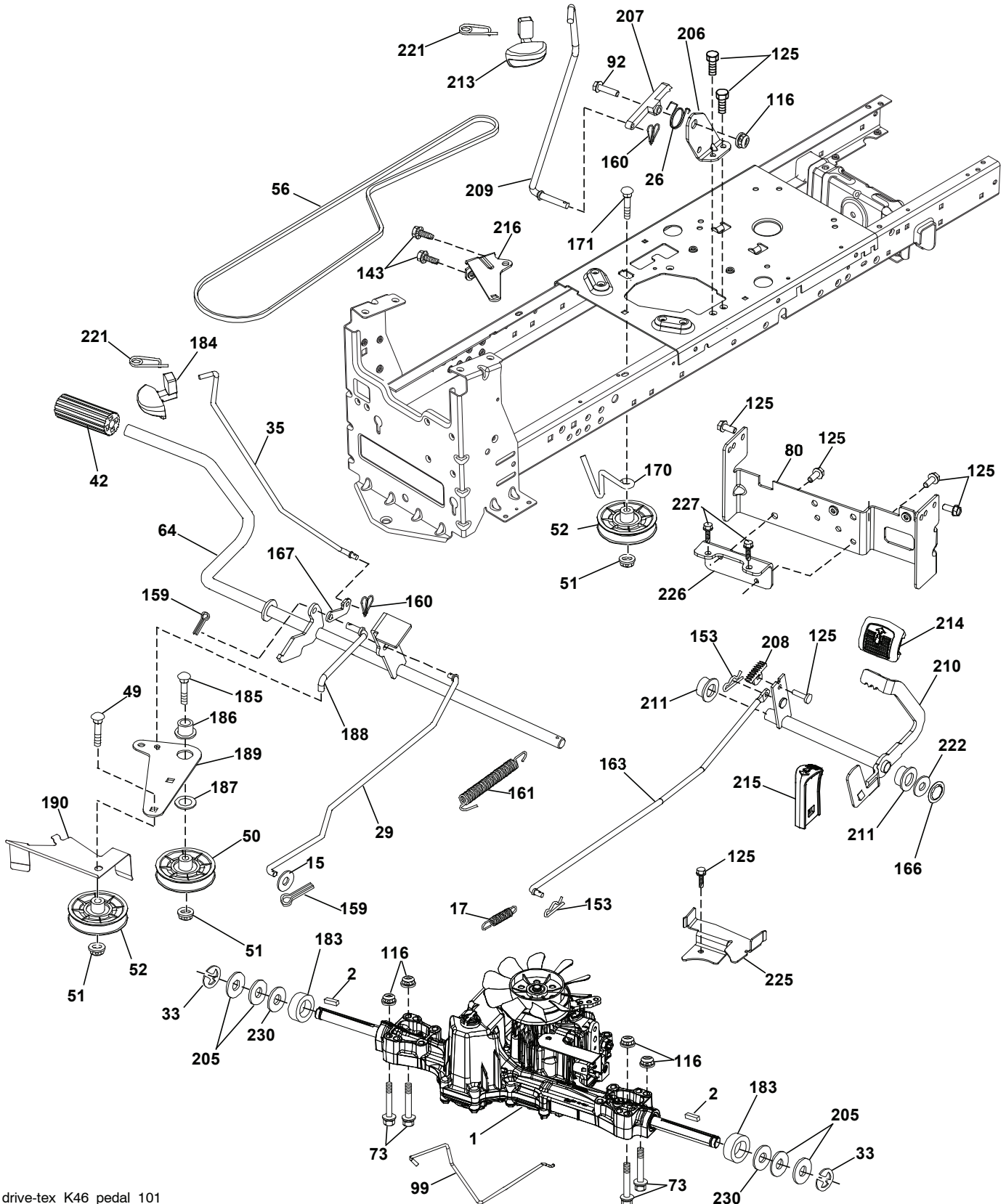
## CHASSIS

KEY NO.	PART NO.	DESCRIPTION
5	421810X428	Dash
14	421154X428	Hood
15	421493X599	Lens LH
18	441721X428	Grille
25	421494X599	Lens RH
34	447253	Plate Engine
36	17060512	Screw 5/16-18 x 3/4
37	414878X428	Fender
52	73680500	Nut Crown Lock 5/16-18
68	17490508	Screw Thdrol 5/16-18 x 1/2
130	416358	Screw # 10 x .750 BOS Thread
138	193224X428	Cupholder
150	199411	Duct Heat Hood
151	445494	Bracket Pivot
152	199535	Shield Browning/Debris
159	17000612	Screw Hexwsh Thdrol 3/8-16 x 3/4
161	193229X428	Window Fuel
162	142432	Screw Hex Wsh Hi-Lo 1/4 x 1/2
165	196826	Support Tank Rear
175	196304	Crossmember
176	400776	Screw 10-24 x 5/8 Wshd Qdrx
177	195227	Bushing Steering
180	195457	Chassis
181	193102X428	Bushing Mtg. Fender Crgo.
182	406859	Dash Lower
183	74520520	Bolt 5/16-18 x 1-1/4
189	17000512	Screw 5/16 - 18 x 3/4
191	425407	Insert Reflective RH
194	73900500	Nut Lock Hex Flange 5/16-18
195	401556X428	Plug Hole Dash 12V Adapter
196	431658	Console Asm. Deck Lift
202	441724X428	Vent Side Hood RH
203	441725X428	Vent Side Hood LH
213	74760512	Bolt hex HD 5/16-18 unc x 3/4
217	409167	Rod Pivot Chassis
218	196395	X piece hood stop
228	195161	Stud Fastener
235	406129	Spacer Fender
236	73930500	Nut Center Lock 5/16-18
237	403704	Plug Mount Cargo
287	17600406	Screw Hex Washhead 1/4-20 x 3/8
297	425406	Insert Reflective LH
314	441669	Trim SD LH
315	441668	Trim SD RH
317	421257X428	Cap Corner RH
318	421258X428	Cap Corner LH

**NOTE:** All component dimensions given in U.S. inches  
1 inch = 25.4 mm

# TRACTOR - - MODEL NUMBER 944.602670

## DRIVE



drive-tex\_K46\_pedal\_101



# TRACTOR - - MODEL NUMBER 944.602670

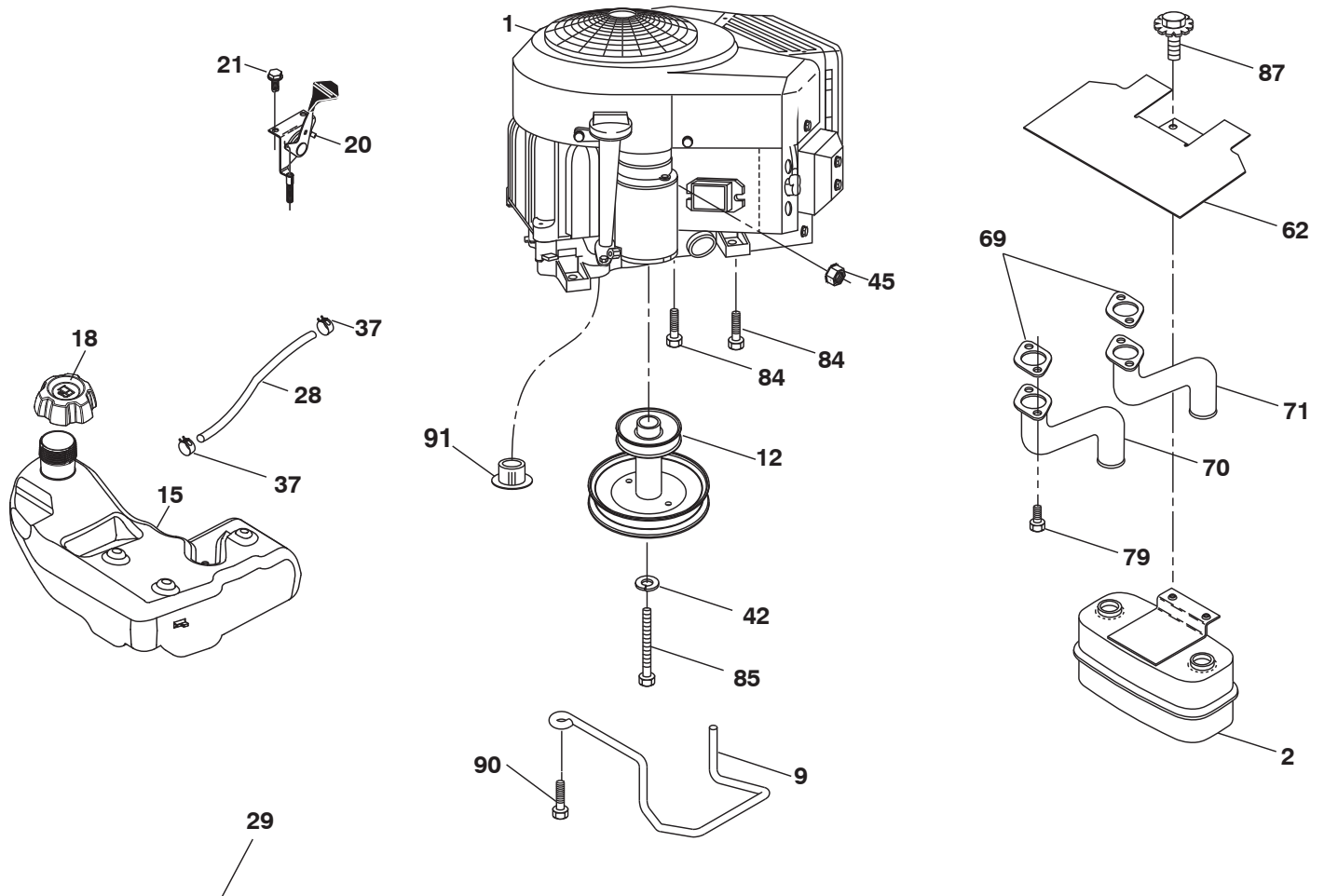
## DRIVE

KEY NO.	PART NO.	DESCRIPTION	KEY NO.	PART NO.	DESCRIPTION
1	---	Transaxle, TUFFTORQ K46 BT (426120) (See transaxle breakdown.)	171	72110616	Bolt 3/8-16 x 2
2	123583X	Key	183	137057	Spacer Split
15	19131316	Washer 13/32 x 13/16 x 16 Ga.	184	196439X667	Handle Parking Brake
17	413678	Spring, Brake	185	72110622	Bolt Rdhd Sqnk 3/8-16 x 2-1/2
26	199679	Spring Return Cruise	186	194321	Spacer Retainer
29	403806	Rod, Brake	187	19133210	Washer
33	12000001	Ring E	188	194323	Link Clutch Ground Drive
35	435486	Rod, Brake, Park	189	194317	Bellcrank Ground Drive
42	8883R	Cover, Foot Pedal	190	194318	Keeper Bellcrank Ground Drive
49	72110614	Bolt	205	121748X	Washer
50	194327	Pulley Idler Flat	206	197867	Bracket Mount Latch Cruise
51	73900600	Lock Nut 3/8-16	207	197868	Latch Control Cruise
52	194326	Idler V-Groove	208	197869	Gear Sector Control Cruise
56	130969	V-Belt, Drive	209	199592	Rod Control Cruise
64	197865	Shaft Asm. Pedal Brake Control	210	400980	Rocker Asm. Pedal Control
73	74490540	Bolt 5/16-18 x 4.5 Gr. 5	211	120183X	Bearing Nylon
80	440619	Strap Torque	213	196441X428	Knob Control Cruise
92	74760520	Bolt Fin Hex 5/16-18 unc x 1.25	214	421263	Pedal Forward
99	415742	Rod Spring Bypass	215	197301X428	Pedal Reverse
116	73900500	Nut Lock Hex Flange 5/16-18	216	196131	Bracket Pulley Idler
125	17000512	Screw 5/16-18 x 3/4	221	403187	Retainer Spring Clip Handle
143	17490508	Screw 5/16-18 x 1/2	222	79212010	Washer 21/32 x 1-1/4 x 10 Ga.
153	4497H	Retainer Spring	225	403319	Keeper Belt Trans.
159	76020412	Pin Cotter 1/8 x 3/4	226	401564	Bracket Mount Torque
160	169484	Retainer Clip	227	17490512	Screw Thdrol. 5/16-18 x 3/4
161	105709X	Spring, Return, Clutch	230	188967	Washer
163	401034	Rod Pedal Control			
166	429164	Nut Push .625			
167	405257	Latch Brake Parking			
170	194322	Keeper Belt Centerspan			

**NOTE:** All component dimensions given in U.S. inches  
1 inch = 25.4 mm

# TRACTOR - - MODEL NUMBER 944.602670

## ENGINE



**SPARK ARRESTER KIT**

engine-tex\_bs-2cyl\_32\_r1

# TRACTOR - - MODEL NUMBER 944.602670

## ENGINE

KEY NO.	PART NO.	DESCRIPTION
1	---	Engine B&S Model No. 445677-1578-G5(442176) (See engine breakdown.)
2	149723	Muffler
9	194320	Keeper Belt Engine
12	405472	Pulley Engine
15	438080	Tank Fuel
18	430214	Cap Fuel
20	421473X428	Control Throttle
21	416358	Screw 10 x .750 BOS Thread
28	401135	Fuel Line
29	137180	Spark Arrester Kit
37	123487X	Clamp Hose
42	10040700	Washer Lock 7/16
45	73510400	Nut Keps Hex 1/4-20 unc
62	434017	Shield Heat Muffler
69	165391	Gasket
70	159955	Exhaust Tube LH
71	160589	Exhaust Tube RH
79	183906	Screw 5/16-18 x .75
84	17060620	Screw 3/8-16 x 1-1/4
85	173937	Bolt Hex 7/16-20 x 4 x Gr. 5-1.5
87	171877	Bolt 5/16-18 unc x 3/4 w/Sems
90	17000616	Screw 3/8-16 x 1.0
91	187495	Bushing

**NOTE:** All component dimensions given in U.S. inches  
1 inch = 25.4 mm

For engine service and replacement parts, call the toll free number for your engine manufacturer listed below:

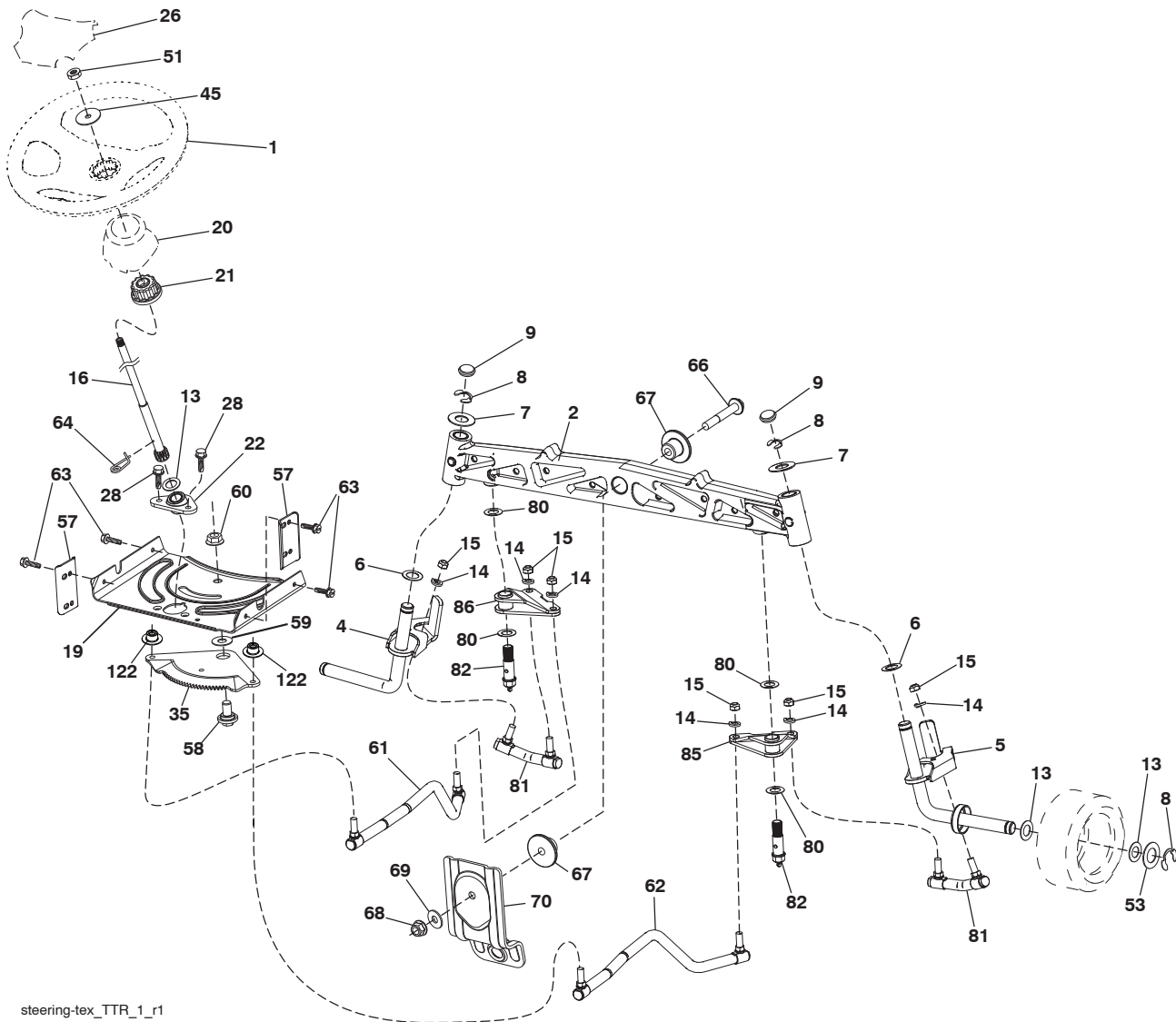
Briggs & Stratton            1-800-233-3723

### Engine Power Rating Information

The gross power rating for individual gas engine models is labeled in accordance with SAE (Society of Automotive Engineers) code J1940 (Small Engine Power & Torque Rating Procedure), and rating performance has been obtained and corrected in accordance with SAE J1995 (Revision 2002-05). Torque values are derived at 3060 RPM; horsepower values are derived at 3600 RPM. Actual gross engine power will be lower and is affected by, among other things, ambient operating conditions and engine-to-engine variability. Given both the wide array of products on which engines are placed and the variety of environmental issues applicable to operating the equipment, the gas engine will not develop the rated gross power when used in a given piece of power equipment (actual "on-site" or net power). This difference is due to a variety of factors including, but not limited to, accessories (air cleaner, exhaust, charging, cooling, carburetor, fuel pump, etc.), application limitations, ambient operating conditions (temperature, humidity, altitude), and engine-to-engine variability. Due to manufacturing and capacity limitations, Briggs & Stratton may substitute an engine of higher rated power for this Series engine.

# TRACTOR - - MODEL NUMBER 944.602670

## STEERING ASSEMBLY



steering-tex\_TTR\_1\_r1

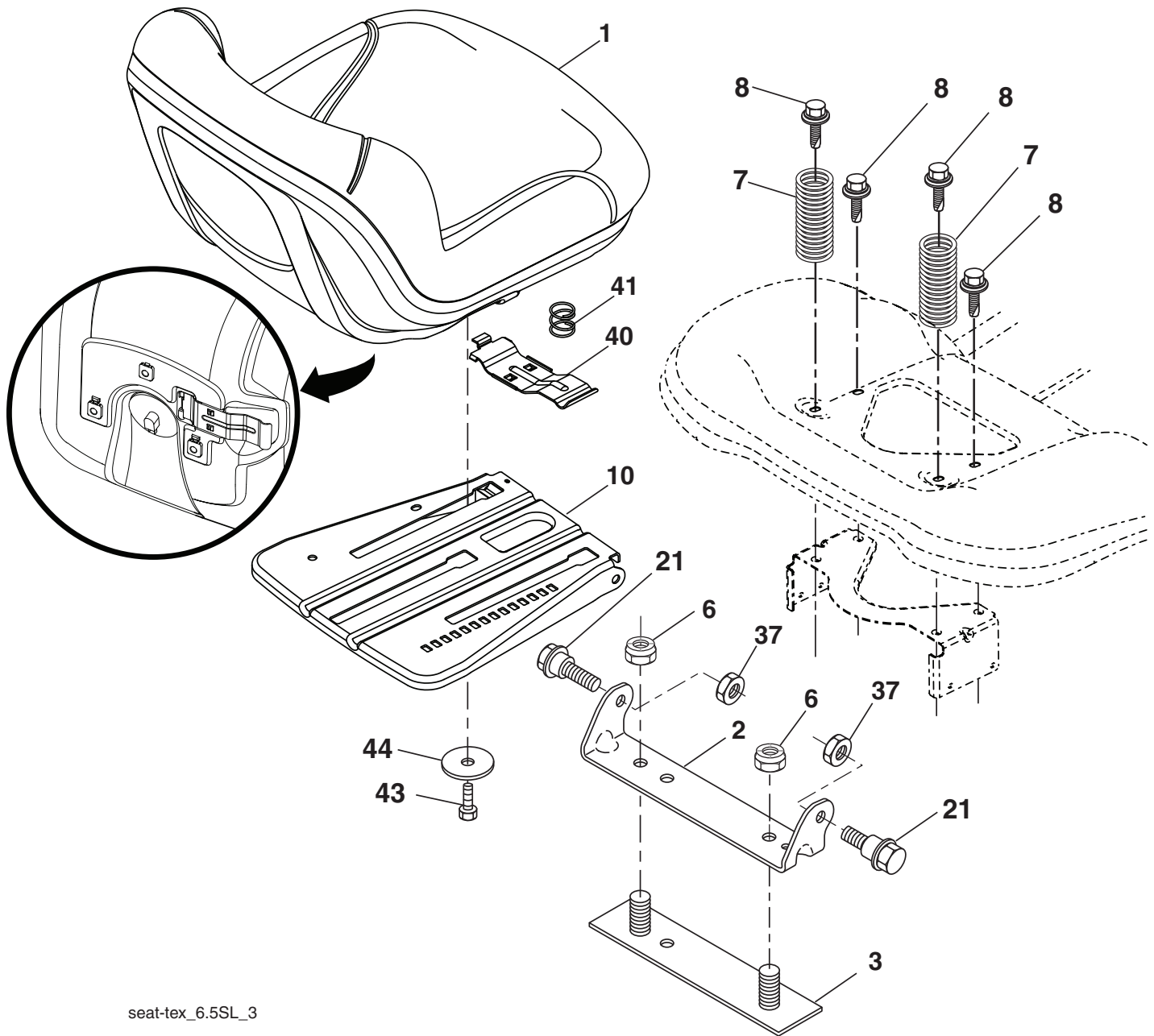
KEY PART NO.	PART NO.	DESCRIPTION
1	414803X428	Wheel, Steering
2	436870	Axle Asm., Front
4	436873	Spindle Asm., LH
5	436874	Spindle Asm., RH
6	6266H	Washer Thrust 0.75 x 1.23
7	121748X	Washer 25/32 x 1-5/8 x 16 Ga.
8	12000029	Ring, Klip #T5304-75
9	184946X667	Cap, Spindle
13	121749X	Washer 25/32 x 1-1/4 x 16 Ga.
14	10040600	Washer, Lock 3/8
15	73540600	Nut, Crown Lock 3/8-24 unf
16	440785	Shaft Steering (Two High Units)
19	194729	Plate Steering
20	199676X428	Boot, Steering
21	437747	Adapter, Wheel Steering
22	194845	Bushing, Strg. Blk
26	414852X428	Insert, Wheel Steering
28	17000612	Screw 3/8-16 x 3/4
35	440770	Gear, Sector Plate
45	19183812	Washer
51	73940800	Nut Hex 1/2-20 unf
53	188967	WasherHardened.793x1.637x.060

KEY PART NO.	PART NO.	DESCRIPTION
57	407465	Bracket Upstop
58	194747	Bolt Shoulder Sector Pivot CFM
59	194748	Washer Thrust Sector Steering
60	73971000	Nut Flange Lock 5/8-11
61	436884	Draglink, LH
62	436885	Draglink, RH
63	17000512	Screw 5/16-18 x 3/4
64	199849	Retainer Clip Spring Steering
66	71020748	Bolt Hex Fghd 7/16-14 x 3 Serr
67	194737	Bushing PM Front Axle
68	73900700	Nut Lock Flange 7/16-14 Gr. 5
69	199162	Washer 1.5 x .505 x .118
70	196197	Bracket Deck Susp. Front
80	1370H	Washer
81	436887	Link Cross RH
82	436877	Pivot Bolt
85	441873	Pivot RH
86	441872	Pivot LH
122	444962	Cap Gear Sector

**NOTE:** All component dimensions given in U.S. inches  
1 inch = 25.4 mm

# TRACTOR - - MODEL NUMBER 944.602670

## SEAT ASSEMBLY



seat-tex\_6.5SL\_3

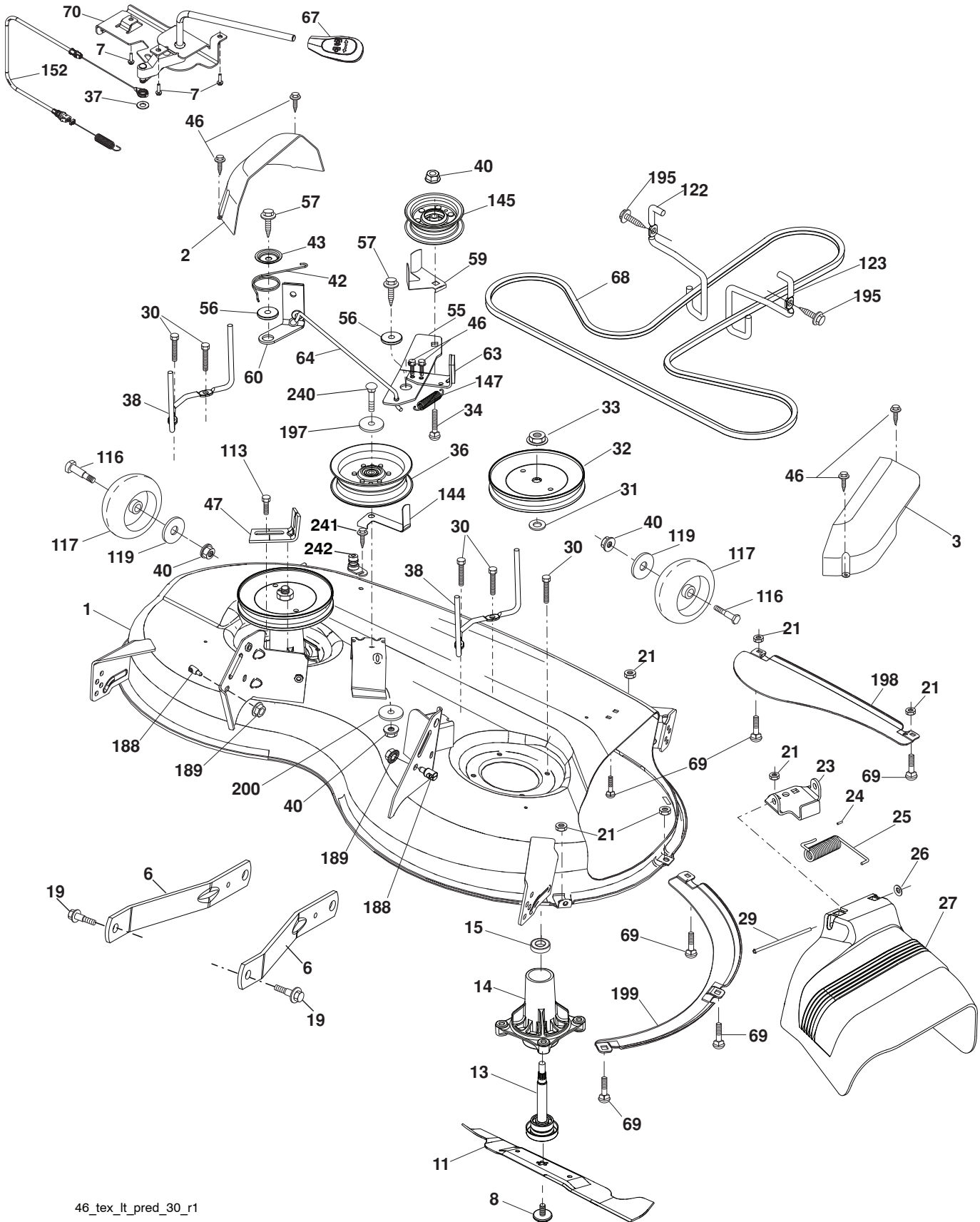
KEY NO.	PART NO.	DESCRIPTION
1	423646	Seat
2	180166	Bracket Pivot Fender
3	140675	Strap, Asm Fender
6	STD541437	Nut, Lock W/Ins. 3/8-16 unc
7	124181X	Spring, Seat Cprsn
8	171877	Bolt 5/16-18 unc x 3/4 w/Sems
10	196977	Pan, Seat
21	171852	Bolt, Shoulder 5/16-18
37	STD541431	Nut, Lock 5/16-18 unc

KEY NO.	PART NO.	DESCRIPTION
40	197661	Handle Slide Seat
41	198200	Spring Latch Seat
43	74760612	Bolt 3/8-16 x 3/4
44	19133812	Washer 13/32 x 2-3/8 x 12 Ga.

**NOTE:** All component dimensions given in U.S. inches  
1 inch = 25.4 mm

# TRACTOR - - MODEL NUMBER 944.602670

## MOWER DECK



46\_tex\_lt\_pred\_30\_r1

# TRACTOR - - MODEL NUMBER 944.602670

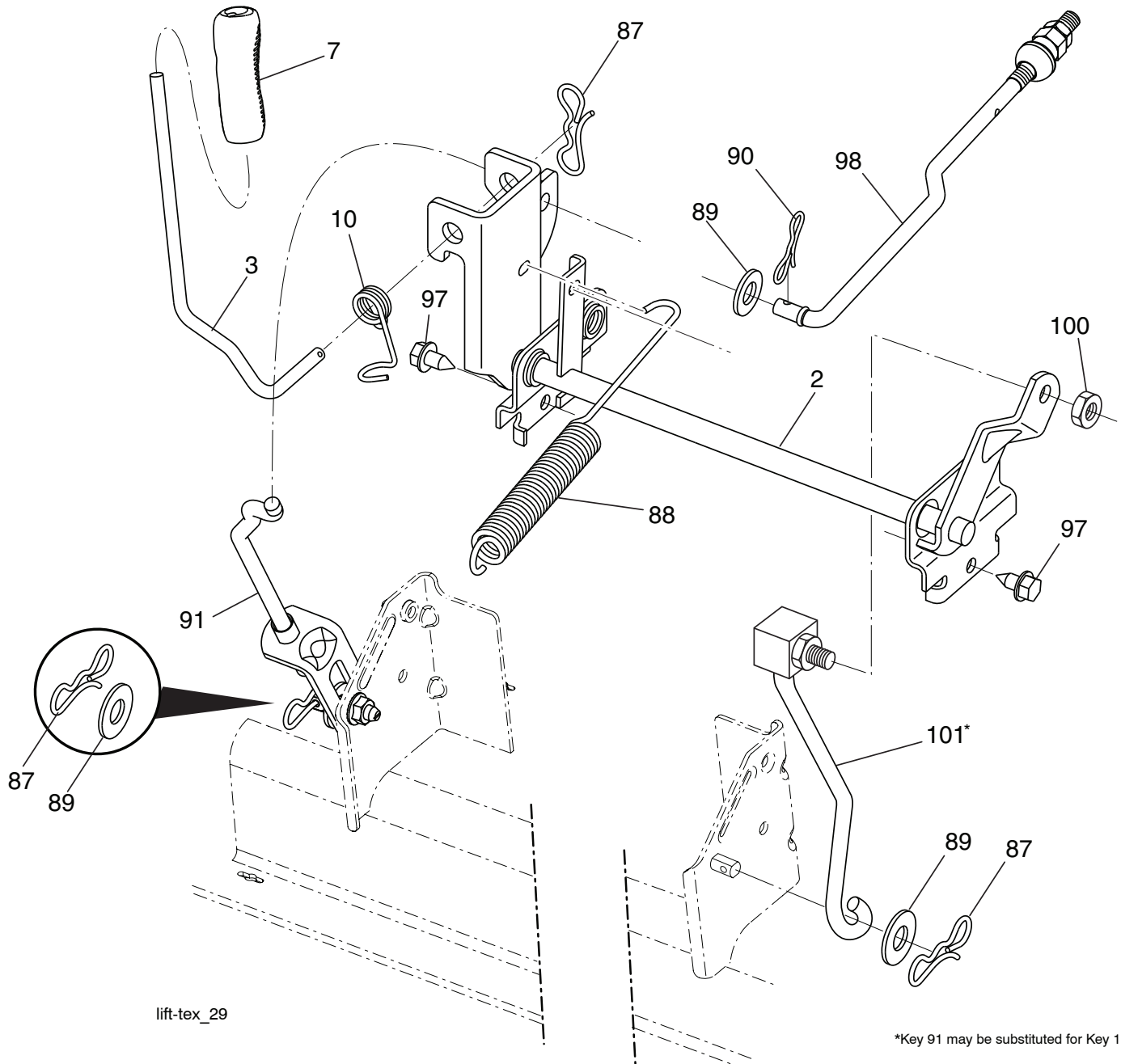
## MOWER DECK

KEY NO.	PART NO.	DESCRIPTION	KEY NO.	PART NO.	DESCRIPTION
1	441611X613	Mower Housing	67	198398X667	Handle, Clutch Cable
2	405507	Cover Mandrel LH	68	405143	V-Belt
3	405506	Cover Mandrel RH	69	72140505	Bolt
6	195186	Arm Suspension	70	199972	Clutch Asm. Manual
7	416358	Screw #10 x 0.750 BOS Thread	113	17000510	Screw 5/16-18
8	193003	Bolt/Washer Asm. 7/16-20 unf	116	4898H	Bolt, Shoulder
11	403107	Blade Mulching	117	188606	Wheel, Gauge
13	192872	Shaft Assembly, Mandrel	119	19121414	Washer 13/32 x 7/8 x 14 Ga.
14	187281	Housing, Mandrel	122	197258	Keeper Belt Eng. LH
15	110485X	Bearing, Ball, Mandrel	123	197259	Keeper Belt Eng. RH
19	196539	Bolt, Shoulder	144	199204	Keeper Belt
21	73680500	Nut	145	193197	Pulley Idler
23	192557	Bracket, Deflector	147	401872	Spring Return
24	105304X	Cap, Sleeve	152	435111	Cable Clutch Manual w/Spr.
25	197026	Spring, Torsion, Deflector	188	195161	Stud Fastener
26	110452X	Nut, Push	189	73900500	Nut Lock Hex Flange
27	405357	Shield, Deflector	195	17000612	Screw Hex Wsh. Thdr. 3/8 -16 x 3/4
29	131491	Rod, Hinge	197	19131312	Washer 13/32 x 13/16 x 12 Ga.
30	173984	Screw Thdrol. Rolling Wsh. Hd.	198	403149	Baffle Center Front
31	187690	Washer, Spacer	199	403150	Baffle Front RH
32	197473	Pulley, Mandrel	200	413524	Washer 13/32 x 1 x 1/2 x 11 Ga
33	400234	Nut, Toplock, Flanged	240	74520636	Bolt Fin. Hex 3/8-16 x 2-1/4 Gr. 5
34	72110612	Bolt Carr. Sh. 3/8-16 x 1-1/2 Gr. 5	241	152927	Screw
36	197379	Pulley, Idler, Flat	242	415598	Port Washout
37	19131316	Washer 13/32 x 13/16 x 16 Ga.	--	416405	Coupling Quick Connect
38	432520	Keeper Belt Mandrel	--	192870	Mandrel Assembly (Includes hous- ing, shaft assembly, and bearing only - pulley/nut/washer and blade bolt/washers not included)
40	73900600	Nut, Lock Flg. 3/8-16 unc	--	441183	Replacement Mower, Complete
42	198410	Spring Torsion Brake			
43	197256	Spring Torsion Retainer			
46	137729	Screw			
47	197250	Bracket Clutch Cable			
55	197249	Arm, Idler			
56	199092	Spacer, Retainer			
57	17000616	Screw Hex Wsh. Thd. 3/8-16 x 1			
59	141043	Guard, Tuv. Idler (94)			
60	199471	Arm Brake Mower			
63	199477	Arm Brake Mower			
64	405138	Linkage Brake			

**NOTE:** All component dimensions given in U.S. inches  
1 inch = 25.4 mm

# TRACTOR - - MODEL NUMBER 944.602670

## MOWER LIFT



KEY NO.	PART NO.	DESCRIPTION
2	422027	Shaft Asm., Lift
3	426896	Lever Asm., Lift RH
7	196492X428	Grip, Lever
10	196314	Spring Torsion
87	194209	Pin Cotter 7/16 Bow Tie Lock
88	410710	Spring Lift Assist
89	19191912	Washer Clear Zinc
90	194208	Pin Cotter 5/16 Bow Tie Lock

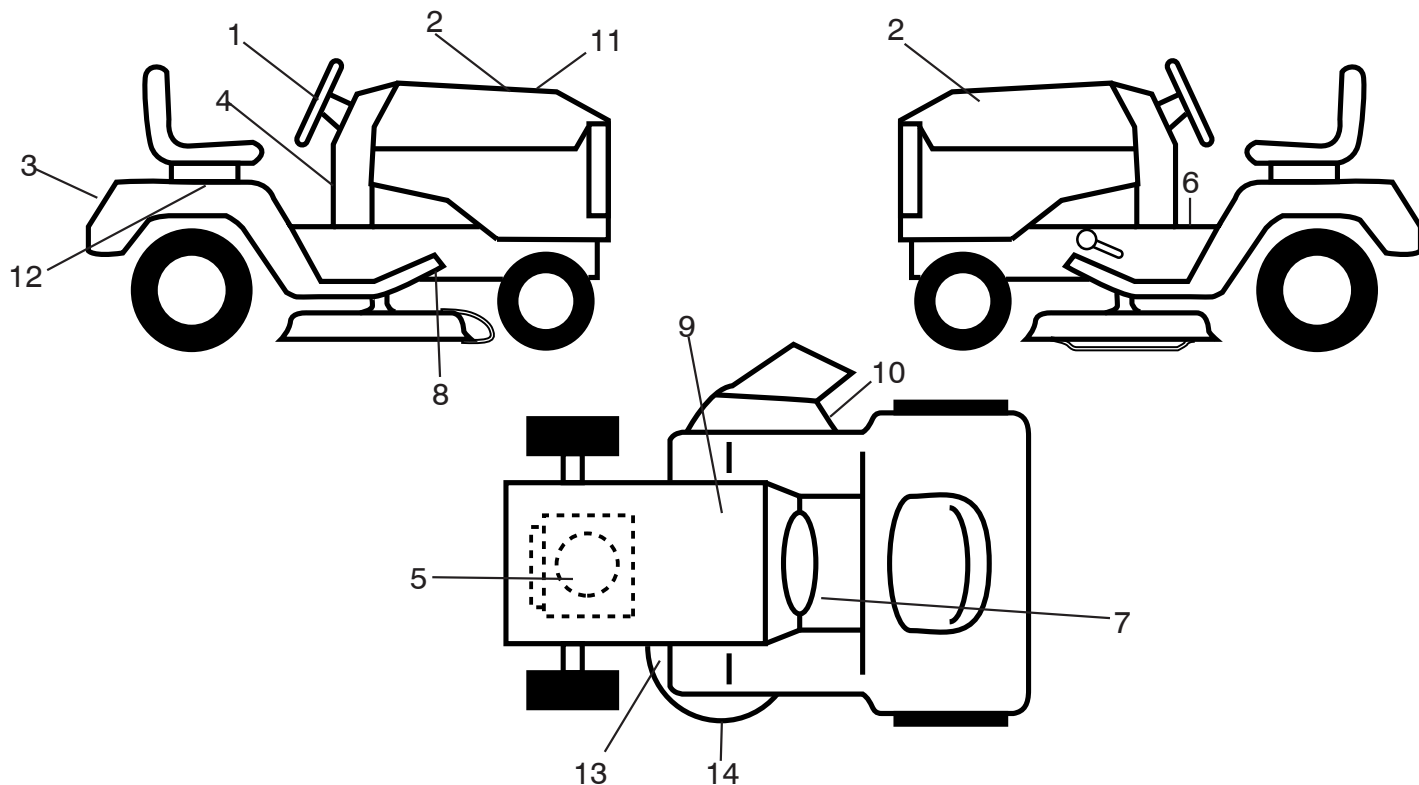
KEY NO.	PART NO.	DESCRIPTION
91	195181	Link Lift Susp Mower Rear
97	17000612	Screw 3/8-16 x .75
98	195270	Link Lift Susp. Front Mower
100	73930600	Nut Centerlock 3/8-16 unc
101	407003	Link Asm Lift Fxd

**NOTE:** All component dimensions given in U.S. inches  
1 inch = 25.4 mm



# TRACTOR - - MODEL NUMBER 944.602670

## DECALS



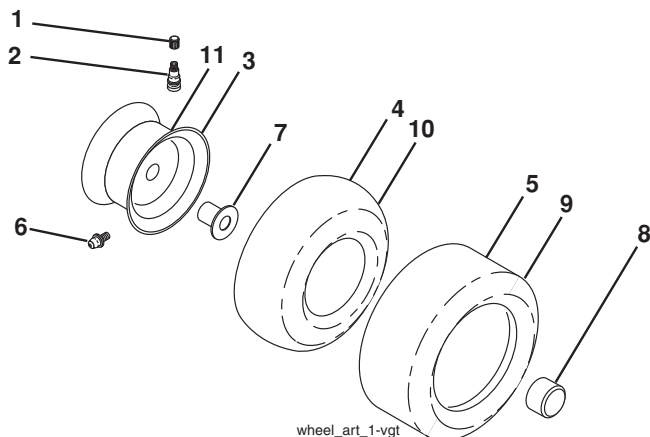
### KEY PART NO. NO.

KEY PART NO.	NO.	DESCRIPTION
1	439525	Decal, Steering
2	443183	Decal, Hood RH/LH
3	441122	Decal, Fender
4	435286	Decal, Warning
5	426029	Decal, Engine HP
6	411658	Decal, Fender Warning
7	448709	Decal, Battery
8	421534	Decal, V-Belt Schematic Drive
9	149517	Decal, Battery Warning
10	170563	Decal, Mower Warning

### KEY PART NO. NO.

KEY PART NO.	NO.	DESCRIPTION
11	427508	Decal, Replacement
12	442517	Label EPA Compliance
13	160396	Decal, Mower V-Belt SCH.
14	426593	Decal, Mower Precision
--	193226X428	Pad, Footrest LH
--	400981X428	Pad, Footrest
--	166960	Decal, Bypass
--	448297	Manual, Operator's (English/French)
--	448298	Manual, Parts (English/French)

## WHEELS AND TIRES



### KEY PART NO. NO.

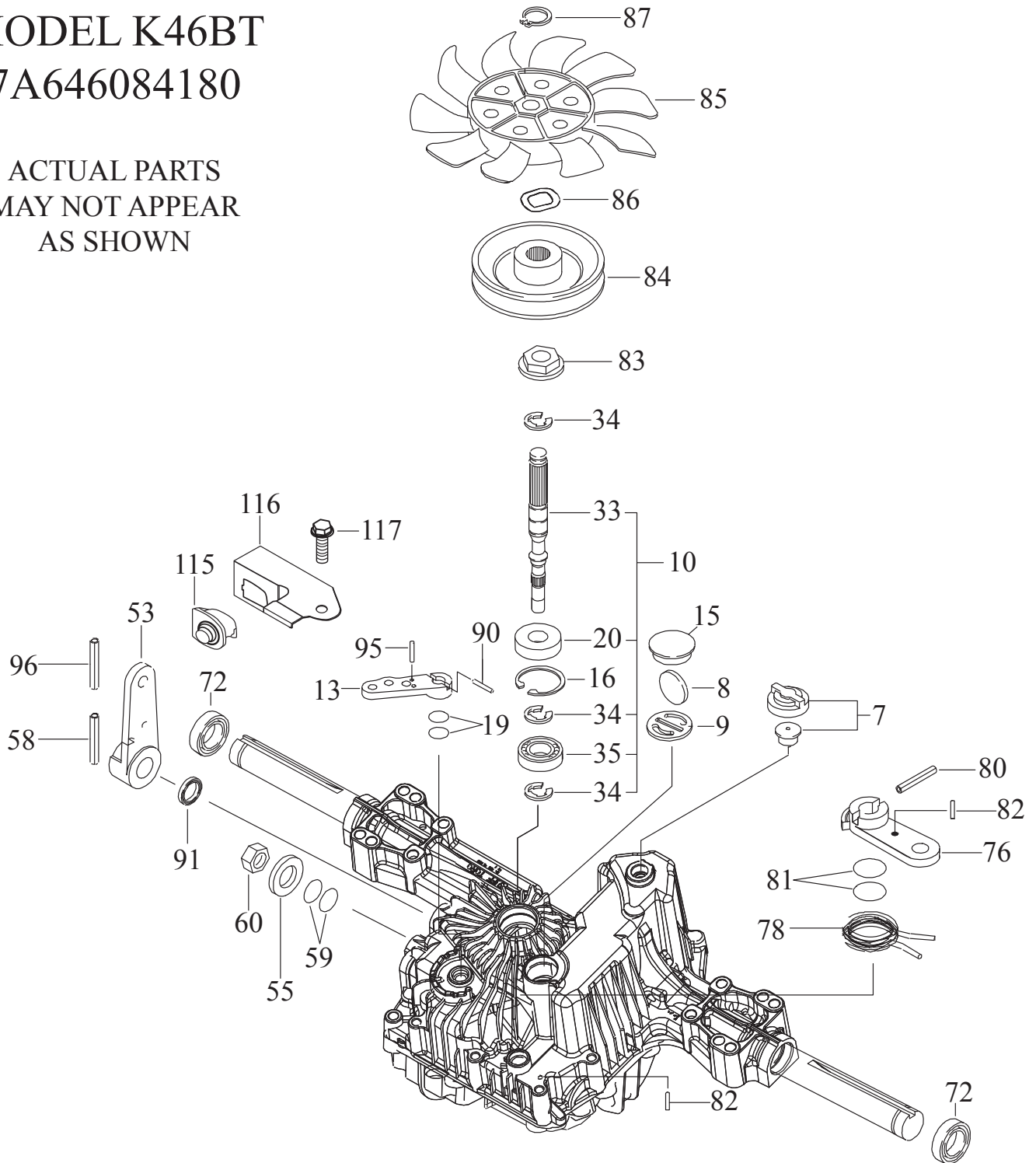
KEY PART NO.	NO.	DESCRIPTION
1	59192	Cap, Valve, Tire
2	65139	Stem, Valve
3	106732X613	Rim Assembly, Front
4	59904	Tube, Front
5	106222X	Tire, Front
6	278H	Fitting, Grease
7	9040H	Bearing, Flange
8	104757X428	Cap, Axle
9	138468	Tire, Rear
10	7152J	Tube, Rear
11	106108X613	Rim Assembly, Rear
--	144334	Sealant, Tire (10 oz. Tube)

**NOTE:** All component dimensions given in U.S. inches  
1 inch = 25.4 mm

TRACTOR - - MODEL NUMBER 944.602670  
TUFF TORQ TRANSAXLE - MODEL NUMBER K46BT

MODEL K46BT  
7A646084180

ACTUAL PARTS  
MAY NOT APPEAR  
AS SHOWN



**TRACTOR - - MODEL NUMBER 944.602670**  
**TUFF TORQ TRANSAXLE - MODEL NUMBER K46BT**

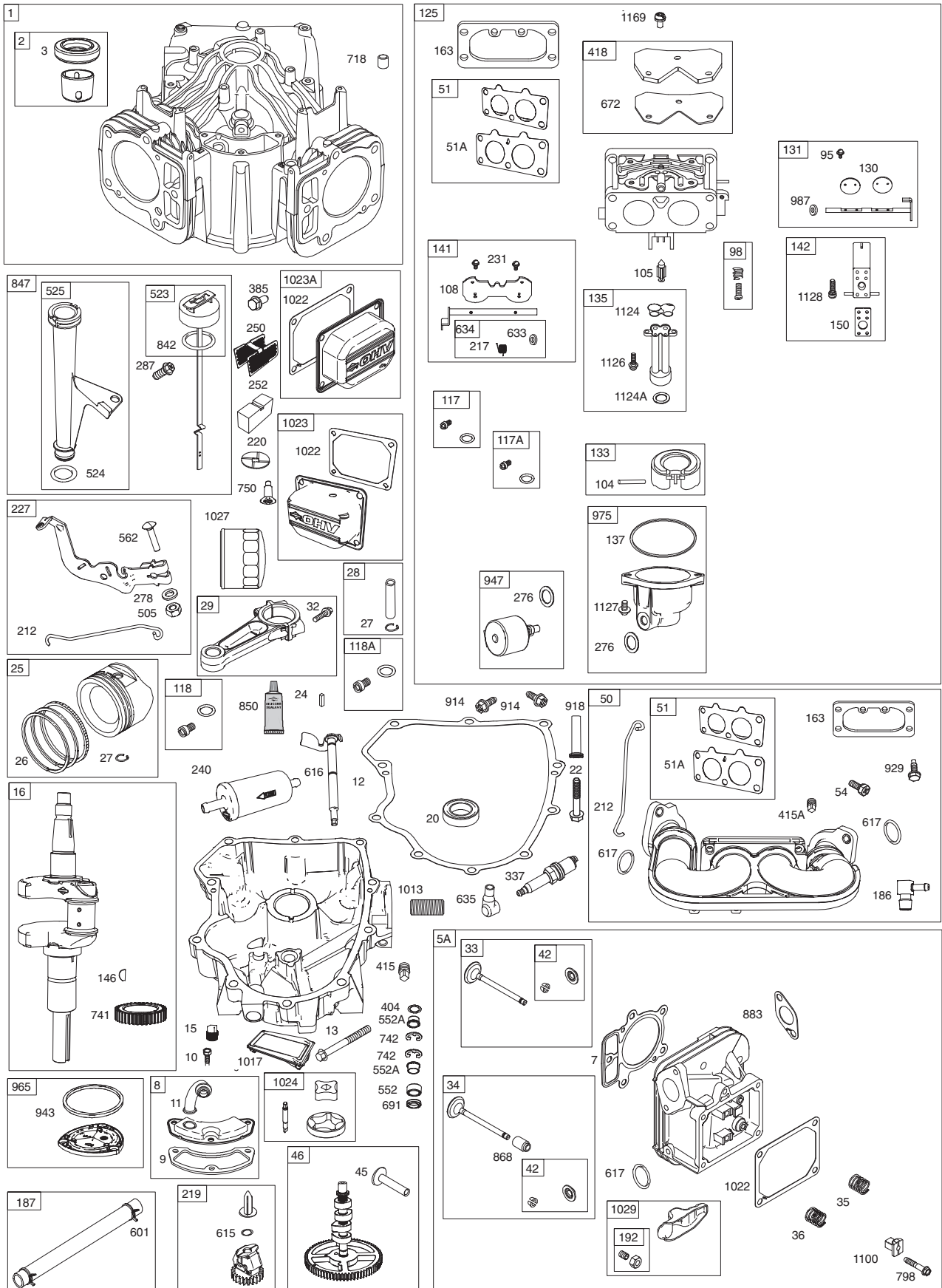
KEY NO.	PART NO.	DESCRIPTION
7	414395	Vent Valve 15
8	414396	Magnet
9	414397	Magnet Holder
10	415923	Pump Shaft/bearing Kit
13	414398	Bypass Lever
15	414399	Sealing Cap 30
16	414400	Snap Ring C 35
19	414401	O-ring 1a P10a
20	414402	Seal Tc 153507
33	414403	Pump Shaft (Standard)
34	414404	E-ring 15
35	414405	Bearing 6202c3
53	414431	Control Lever F
55	415924	Washer 12
58	415925	Roll Pin 6 * 40
59	415926	O-ring 1a P14
60	415927	Nut 12
72	414407	Seal 19 * 32 * 8
76	414408	Brake Lever
78	414409	Brake Return Spring
80	414410	Spring Pin 5 * 32
81	414411	O-ring 1a P12
82	414412	Spring Pin 4 * 16
83	414413	Spine Collar
84	414414	Pulley L
85	414415	Fan, Black
86	414416	Wave Washer
87	414417	Snap Ring
90	414418	Spring Pin 3.0a * 20
91	414419	Oil Seal 16 * 22 *.03
95	414850	Spring Pin 3.0a*16
96	414420	Roll Pin 3.5 * 40
115	415928	Switch 6440-11 Delta
116	415929	Switch Bracket
117	415930	Tapping Screw 8 * 20

**NOTE:** All component dimensions given in U.S. inches  
1 inch = 25.4 mm

# TRACTOR - - MODEL NUMBER 944.602670

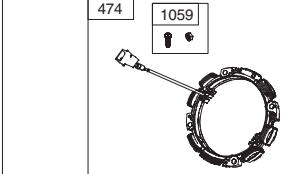
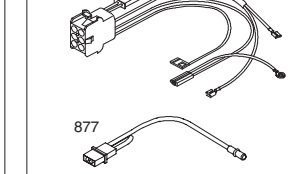
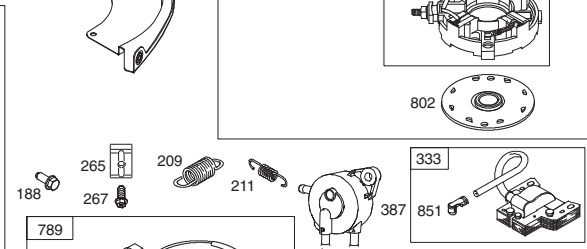
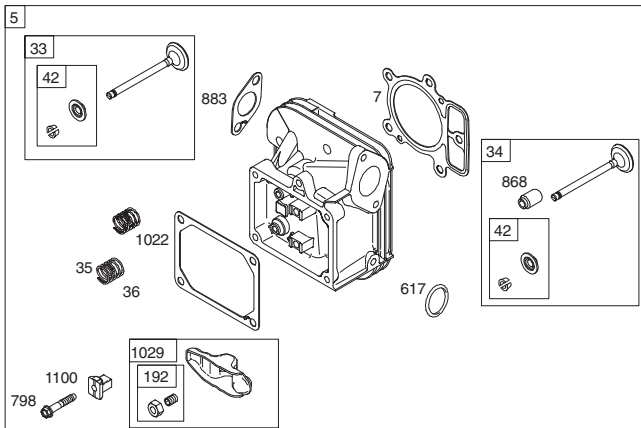
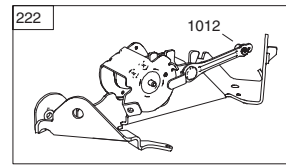
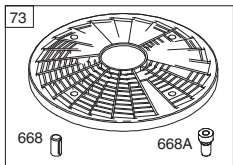
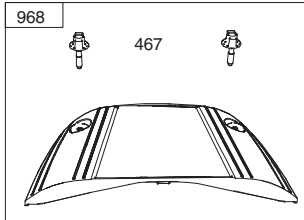
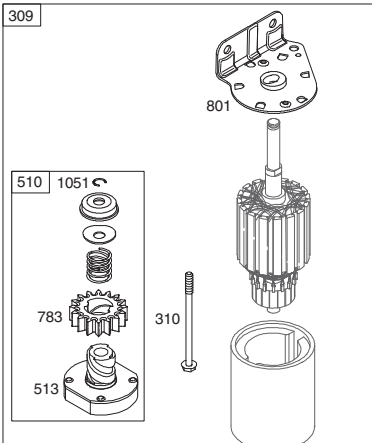
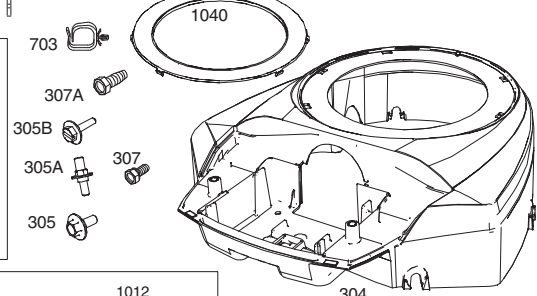
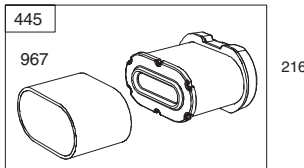
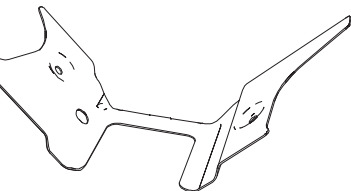
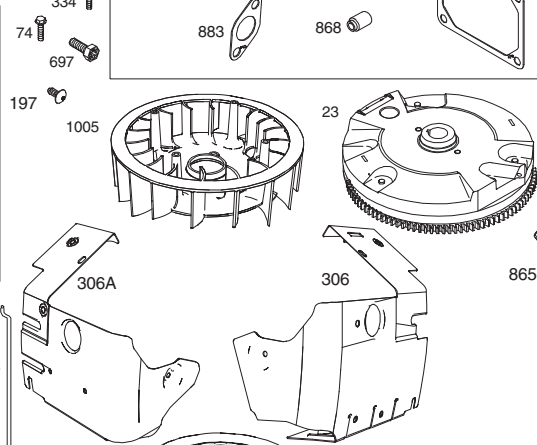
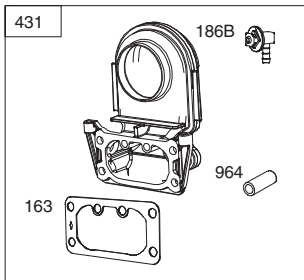
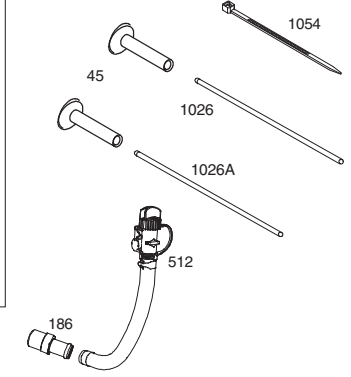
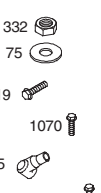
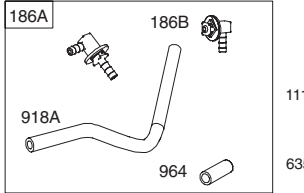
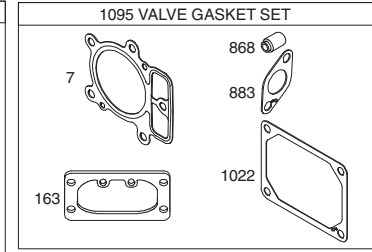
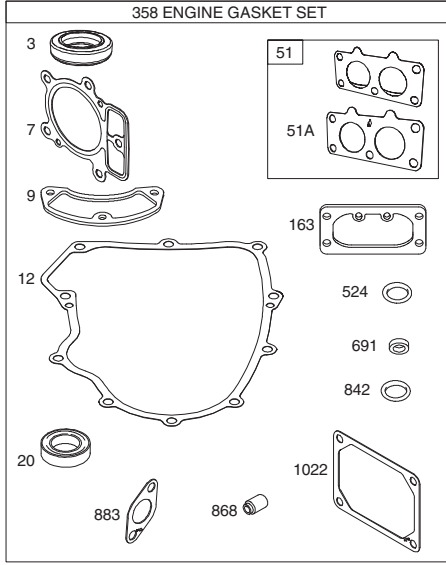
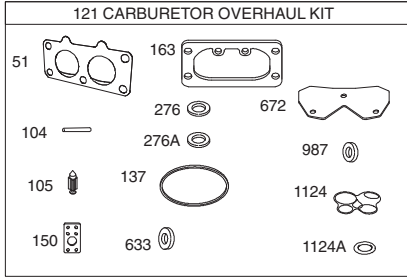
## BRIGGS ENGINE - MODEL NUMBER 445677, TYPE NUMBER 1578-G5

48 SHORT BLOCK      1058 OPERATOR'S MANUAL      1329 REPLACEMENT ENGINE      1330 REPAIR MANUAL      1036 EMISSIONS LABEL



# TRACTOR - - MODEL NUMBER 944.602670

## BRIGGS ENGINE - MODEL NUMBER 445677, TYPE NUMBER 1578-G5



**TRACTOR - - MODEL NUMBER 944.602670**  
**BRIGGS ENGINE - MODEL NUMBER 445677, TYPE NUMBER 1578-G5**

KEY NO.	PART NO.	DESCRIPTION	KEY NO.	PART NO.	DESCRIPTION
1	793564	Cylinder Assembly	130	690993	Valve-Throttle
2	797673	Bushing/Seal Kit (Magneto Side)	131	499805	Kit-Throttle Shaft
3	391086s	Seal-Oil (Magneto Side)	133	699724	Float-Carburetor
4	796307	Sump-Engine	135	699729	Tube-Fuel Transfer
5	796231	Head-Cylinder (Cylinder #1)	137	690994	Gasket-Float Bowl
5A	796232	Head-Cylinder (Cylinder #2)	141	796228	Kit-Choke Shaft
7	693997	Gasket-Cylinder Head	142	699726	Nozzle-Carburetor
8	792185	Breather Assembly	146	690979	Key-Timing
9	690937	Gasket-Breather	150	690995	Gasket-Nozzle
10	697551	Screw (Breather Assembly)	163	691001	Gasket-Air Cleaner
11	792184	Tube-Breather	186	796532	Hose-Connector (Oil Drain Hose)
12	697227	Gasket-Crankcase	186A	799158	Hose-Connector (EVAP System)
13	793988	Screw (Cylinder Head)	186B	845141	Hose-Connector
15	690946	Plug-Oil Drain	187	791766	Line-Fuel (Cut to Required Length)
16	796237	Crankshaft	188	697551	Screw (Control Bracket)
20	795387	Seal-Oil (PTO Side)	192	690083	Adjuster-Rocker Arm
22	694966	Screw (Crankcase Cover/Sump)	197	697820	Screw (Back Plate)
23	691054	Flywheel	209	798921	Spring-Governor (Orange)
24	222698s	Key-Flywheel	211	691019	Spring-Governed Idle (No Color)
25	792023	Piston Assembly (Standard)	212	695238	Link-Throttle
	792072	Piston Assembly (020" Over size)	216	796229	Link-Choke
26	793561	Ring Set (Standard)	217	695409	Spring-Choke Return
	792073	Ring Set (.020" Oversize)	219	793338	Gear-Governor
27	690975	Lock-Piston Pin	220	690412	Washer (Governor Gear)
28	696581	Pin-Piston	221	841026	Cup-Governor
29	796209	Rod-Connecting	222	798915	Bracket-Control
32	690976	Screw (Connecting Rod)	227	798856	Lever-Governor Control
33	697576	Valve-Exhaust	231	690718	Screw (Choke Valve)
34	792200	Valve-Intake	240	695666	Filter-Fuel
35	694865	Spring-Valve (Intake)	250	690957	Retainer-Breather
36	694865	Spring-Valve (Exhaust)	252	794389	Collector-Oil
42	499586	Keeper-Valve	265	691024	Clamp-Casing
45	690977	Tappet-Valve	267	792629	Screw (Casing Clamp)
46	792555	Camshaft	276	695410	Washer-Sealing
48	698172	Short Block	278	792651	Washer (Governor Control Lever)
50	695241	Manifold-Intake	287	697551	Screw (Dipstick Tube)
51	795123	Gasket-Intake	304	797407	Housing-Blower
51A	690950	Gasket-Intake	305	691005	Screw (Blower Housing)
53	690951	Stud (Carburetor)	305A	698336	Screw (Blower Housing)
54	699816	Screw (Intake Manifold)	305B	790690	Screw (Blower Housing) (Blower Housing to Intake Elbow)
73	494439	Screen-Rotating	306	798855	Shield-Cylinder (Cylinder #2)
74	698425	Screw (Rotating Screen)	306A	796852	Shield-Cylinder (Cylinder #1)
75	691056	Washer (Flywheel)	307	691003	Screw (Cylinder Shield) (10-24x.43)
95	690718	Screw (Throttle Valve)	307A	697551	Screw (Cylinder Shield) (1/4-20x.66)
98	699721	Kit-Idle Speed	309	497595	Motor-Starter
104	694918	Pin-Float Hinge	310	690323	Screw (Starter Motor)
105	797410	Valve-Float Needle	332	691059	Nut (Flywheel)
108	699723	Valve-Choke	333	691060	Armature-Magneto
117	792296	Jet-Main (Standard) (Left Jet)	334	691061	Screw (Magneto Armature)
117A	842627	Jet-Main (Standard) (Right Jet)	337	793541	Plug-Spark
118	699457	Jet-Main (High Altitude) (Left Jet)	358	694012	Gasket Set-Engine
118A	699733	Jet-Main (High Altitude) (Right Jet)			
121	797890	Kit-Carburetor Overhaul			
125	796227	Carburetor			

**TRACTOR - - MODEL NUMBER 944.602670  
BRIGGS ENGINE - MODEL NUMBER 445677, TYPE NUMBER 1578-G5**

<b>KEY NO.</b>	<b>PART NO.</b>	<b>DESCRIPTION</b>	<b>KEY NO.</b>	<b>PART NO.</b>	<b>DESCRIPTION</b>
385	797409	Screw (Fuel Pump)	943	796222	Seal-O Ring (Oil Pump Cover)
387	808656	Pump-Fuel	947	798779	Solenoid-Fuel
404	690442	Washer (Governor Crank)	964	799159	Cap-Connector
415	690283	Plug (Oil Pressure Switch Hole)	965	796221	Cover-Oil Pump
415A	794903	Plug (Intake Manifold)	967	792303	Filter-Pre Cleaner
418	795912	Plate-Carburetor	968	795120	Cover-Air Cleaner
431	798860	Elbow-Intake	975	798775	Bowl-Fuel
445	792105	Filter-Air Cleaner Cartridge	987	691000	Seal-Throttle Shaft
462	691261	Washer (Starter Cable)	1005	791236	Fan-Flywheel
467	790697	Knob-Air Cleaner	1012	797926	Retainer-Link
474	696459	Alternator	1013	690954	Nipple-Oil Filter
505	691029	Nut (Governor Control Lever)	1017	796214	Screen-Oil Pump
510	696541	Drive-Starter	1022	690971	Gasket-Rocker Cover
512	796530	Hose-Oil Drain	1023	793146	Cover-Rocker (Cylinder #1)
513	692024	Clutch-Drive	1023A	499600	Cover-Rocker (Cylinder #2)
523	691036	Dipstick	1024	796220	Pump-Oil
524	691032	Seal-Dipstick Tube	1026	690981	Rod-Push (Steel) (Exhaust)
525	691037	Tube-Dipstick	1026A	690982	Rod-Push (Aluminum) (Intake)
552	796638	Bushing-Governor Crank	1027	795890	Filter-Oil
552A	690553	Bushing-Governor Crank	1029	690972	Arm-Rocker
562	690311	Screw (Governor Control Lever)	1036		Label-Emissions (Available from a Briggs & Stratton Authorized Dealer)
573	790444	Plate-Back			
601	691038	Hose-Clamp (Black)	1040	791237	Plate-Trim
615	698290	Retainer-Governor Shaft	1051	691265	Ring-Retaining
616	691045	Crank-Governor	1054	280275	Tie-Cable
617	697891	Seal-O Ring (Intake Manifold) (Red)	1058	276245	Operator's Manual
633	699813	Seal-Choke/Throttle Shaft (Choke Shaft)	1059	698516	Kit-Screw/Washer
634	698779	Spring/Seal Assembly	1070	791680	Screw (Flywheel Fan)
635	66538s	Boot-Spark Plug	1090	691293	Retainer-Brush
654	690958	Nut (Carburetor)	1095	694013	Gasket Set-Valve
668	691215	Spacer (Rotating Screen)	1000	791959	Pivot-Rocker Arm
668A	691500	Spacer (Rotating Screen)	1119	691183	Screw (Alternator)
672	690234	Gasket-Carburetor Plate	1124	690988	Seal-O Ring (Fuel Transfer Tube)
691	790574	Seal-Governor Shaft	1124A	841653	Seal-O Ring (Fuel Transfer Tube)
697	690372	Screw (Drive Cap)			
703	691010	Clip	1126	690991	Screw (Fuel Transfer Tube)
718	690959	Pin-Locating	1127	695407	Screw (Float Bowl)
741	690980	Gear-Timing	1128	690990	Screw (Carburetor Nozzle)
742	690328	Retainer-E Ring	1169	690990	Screw (Carburetor Cover Plate)
750	796208	Screw (Oil Pump Cover)	1329		Replacement Engine (Not Available at this printing)
783	695708	Gear-Pinion			
789	698330	Harness-Wiring	1330	273521	Repair Manual
798	697890	Screw (Rocker Arm)			
801	691283	Cap-Drive			
802	691286	Cap-End			
842	691031	Seal-O Ring (Dipstick)			
847	499602	Dipstick/Tube Assembly			
850	100106	Sealant-Liquid			
851	493880s	Terminal-Spark Plug			
865A	792286	Cover-Air Guide (Valley)			
868	690968	Seal-Valve			
877	790544	Wire/Connector-Alternator			
883	690970	Gasket-Exhaust			
914	691127	Screw (Rocker Cover)			
918	797468	Hose-Vacuum			
918A	799160	Hose-Vacuum (EVAP System)			

Engine Gasket Set                      Key No. 358  
Valve Gasket Set                        Key No. 1095  
Carburetor Overhaul Kit                Key No. 121

**NOTE:** All component dimensions given in U.S. inches  
1 inch = 25.4 mm

# Get it fixed, at your home or ours!

Just Call:

**1-800-4-MY-HOME<sup>®</sup>**

(1-800-469-4663)

24 hours a day, 7 days a week

For the repair of major brand appliances **in your own home...**  
no matter who made it, no matter who sold it!

For your nearest **Sears Parts and Service** location,  
to bring in products like vacuums, lawn equipment and electronics.

For **Sears Parts & Service**, to order the replacement parts,  
accessories and owner's manuals that you need to do-it-yourself.

[www.sears.ca](http://www.sears.ca)

---

To purchase or inquire about a Sears Maintenance Agreement, call:

**1-800-361-6665**

9 a.m. – 11 p.m. Mon. – Fri., EST, 9 a.m. – 4 p.m. Sat.

---

Pour service en français:

**1-800-LE-FOYER<sup>MC</sup>**

(1-800-533-6937)

[www.sears.ca](http://www.sears.ca)



® / <sup>TM</sup> Trademarks of Sears Brands Management Corporation used under license by Sears Canada

<sup>MD</sup> Marque déposée / <sup>MC</sup> Marque de commerce de Sears Brands Management Corporation utilisée en vertu d'une licence de Sears Canada



# Faites-le réparer, à domicile ou à l'atelier!

Téléphonez au:  
**1-800-LE-FOYER**<sup>MC</sup>  
(1-800-533-6937)  
24 heures par jour, 7 jours par semaine

Pour la réparation des appareils électroménagers de grandes marques  
à votre domicile ... peu importe le fabricant ou le détaillant!

Pour connaître l'emplacement du **Service des pièces et de l'entretien**  
**Sears** le plus proche afin d'apporter à l'atelier des produits tels que  
des aspirateurs, tondeuses à gazon ou appareils électroniques.

Pour connaître le no. de téléphone du **Service des pièces et de l'entretien**  
**Sears** afin de commander les pièces de rechange, accessoires et  
manuels d'instructions requis pour effectuer vous-même les réparations.

**www.sears.ca**

Pour acheter ou demander des renseignements  
sur un contrat d'entretien Sears, téléphonez au:  
**1-800-361-6665**

de 9 h à 23 h du lundi au vendredi (HNE), de 9 h à 16 h le samedi!

For service in English:  
**1-800-4-MY-HOME**<sup>®</sup>  
(1-800-469-4663)  
**www.sears.ca**



**TRACTEUR - - NUMÉRO DE MODÈLE 944.602670  
MOTEUR "BRIGGS & STRATTON" - NO. DE MODÈLE 445677, NO. DE TYPE 1578-G5**

NO. DE PIÈCE	DESCRIPTION	NO. DE PIÈCE	DESCRIPTION
525	691037	1051	691265 Anneau-Retenu
552	796638	1054	280275 Câble-Attachez
552A	690553	1058	276245 Le Manuel Du Propriétaire
562	690311	1059	698516 Jeu - Vis/Rondelle
573	790444	1070	791680 Vis (Volant)
601A	691038	1090	691293 Arretoir - Brosse
615	698290	1095	694013 Garniture De Placer-Valve
616	691045	1000	791959 Bras De Pivo-Culbuteur
617	697891	1119	691183 Vis (Alternateur)
633	699813	1124	690988 Anneau De Joint-O (Renvoi des billes De Carburant)
634	698779	1126	690991 Vis (Renvoi des billes De Carburant)
635	665386	1127	695407 Vis (Cuvette De Flotteur)
654	690958	1128	690990 Vis (Bec De Carburateur)
668	691215	1329	Moteur De rechange (Non disponible à cette impression)
668A	691500	273521	Manuel De Réparation
672	690234	1330	273521 Manuel De Réparation
691	790574		
697	690372		
703	691010		
718	690959		
741	690890		
742	690328		
750	796208		
783	695708		
789	698330		
798	697890		
801	691283		
802	691286		
842	691031		
847	499602		
850	100106		
851	493880		
865A	792286		
868	690968		
877	790544		
883	690970		
914	691127		
918	797468		
918A	799160		
943	796222		
947	798779		
964	799159		
965	796221		
967	792303		
968	795120		
975	798775		
987	691000		
1005	791236		
1012	797926		
1013	690954		
1017	796214		
1022	690971		
1023	793146		
1023A	499600		
1024	796220		
1026	690981		
1026A	690982		
1027	795890		
1029	690972		
1036	-----		
1040	791237		

**REMARQUE:** Toutes les dimensions de composant sont données en pouces E.-U. -- 1 pouce = 25,4 mm

Inclus dans l'ensemble de garniture de moteur, clef. Numéro 358

Inclus dans l'ensemble de garniture de valve, clef. Numéro 1095

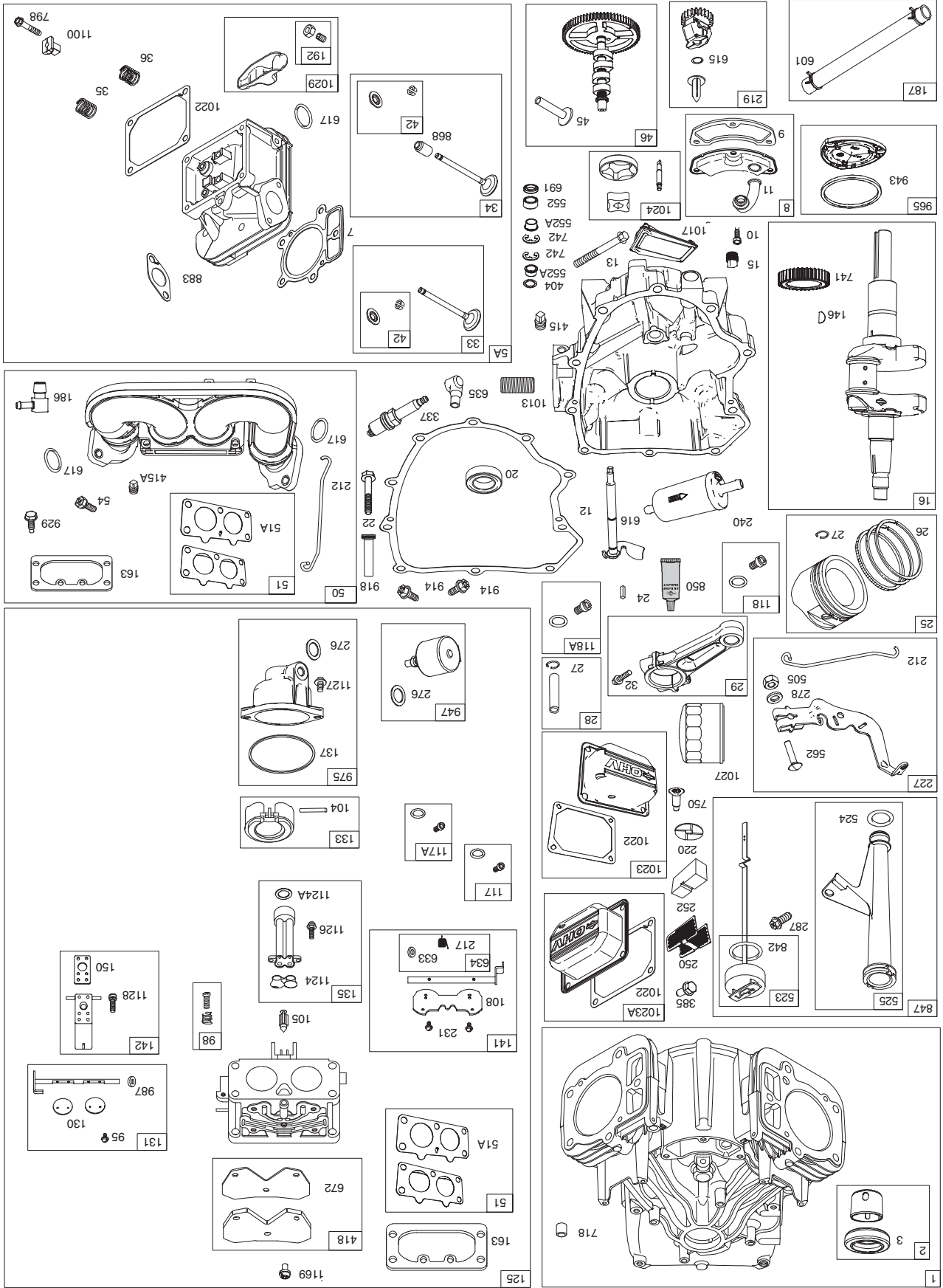
Inclus dans le kit de révision de carburateur, clef. Numéro 121

**TRACTEUR - - NUMÉRO DE MODÈLE 944.602670  
MOTEUR "BRIGGS & STRATTON" - NO. DE MODÈLE 445677, NO. DE TYPE 1578-G5**

NO. DE RÉF.	PIÈCE	DESCRIPTION	NO. DE RÉF.	PIÈCE	DESCRIPTION
1	79364	Assemblée De Cylindre	146	690979	Clef-Synchronisation
2	797673	Kit-Douille/Phoque (Côté De Magnéto)	150	690995	Garniture-Bec
3	3910866	Joint-Huile (Côté De Magnéto)	163	691001	Décapant D'Garniture-Air
4	796307	Carter de vidange-Moteur	177	691031	Anneau De Joint-O (Tube De Jaugeur)
5	796231	Tête-Cylindre (Cylindre 1)	186	796532	Bride - Tuyau
5A	796232	Tête-Cylindre (Cylindre 2)	186A	799158	Connecteur de tuyau (EVAF Système)
7	693997	Tête De Garniture-Cylindre	186B	845141	Connecteur de tuyau
8	792185	Assemblée De Reniflard	187	791766	Ligne-Carburant
9	690937	Garniture-Reniflard	188	697551	Vis (Support De Commande)
10	697551	Vis (Assemblée De Reniflard)	192	690083	Bras De Régleur-Culbuteur
11	792184	Tube de Reniflard	197	697820	Vis (Plaque)
12	697227	Garniture-Carter de vilebrequin	209	798921	Ressort-Gouverneur
13	793988	Vis (Culasse)	211	691019	Ralent! Ressort-Régi
15	690946	Drain D'Prise-Huile	212	695238	Lien-Gouverneur
16	796237	Vilebrequin	216	796229	Lien-Obstruez
20	795387	Joint-Huile (Côté de PTO)	217	695409	Ressort-Obstruez
22	694966	Vis (Couverture De Carter de vilebrequin)	219	793338	Ressort-Gouverneur
27	690975	Goupille-Piston	252	794389	Collecteur-Huile
28	696581	Goupille-Piston	265	691024	Bride-Enveloppe
29	796209	Tige-Se relieur	267	792629	Vis (Bride D'Enveloppe)
32	690976	Vis (Bielle)	276	695410	Rondelle-Cachetage
33	697576	Valve-Echappement	278	792651	Rondelle-Cachetage
34	792200	Valve-Prise	287	697551	Vis (Assemblée De Jauge D'huile)
35	694865	Ressort-Valve (Prise))	304	797407	Logement-Ventilateur
36	694865	Ressort-Valve (Echappement)	305	691005	Vis (Logement De Ventilateur)
40	690964	Garde-Valve	305A	698336	Vis (Logement De Ventilateur)
42	499586	Garde-Valve	305B	790690	Vis (Logement De Ventilateur)
45	690977	Tringlerie-Valve	306A	798855	Cylindre deflecteur
46	792555	Arbre à cames	306	306	Cylindre deflecteur
48	698172	Bloc Court	307	691003	Vis (Cylindre deflecteur)
50	695241	Tubulure-Prise	307A	697551	Vis (Cylindre deflecteur)
51	795123	Garniture-Prise	309	497595	Moteur-Démarreur
51A	690950	Garniture-Prise	310	690323	Vis (Moteur De Démarreur)
53	690951	Goujon (Carburateur)	332	691059	Ecroû (Volant)
54	699816	Yis (Tubulure De Prise)	333	691060	Armature-Magnéto
73	494439	Ecran-Rotation	334	691061	Vis (Armature De Magnéto)
74	698425	Vis (Ecran Tournant)	337	793541	Prise-Etincelles
75	691056	Rondelle (Volant)	358	694012	Placer-Moteur De Garniture
95	690718	Vis (Valve De Commande de puissance)	385	797409	Vis (Pompe d'essence)
98	699721	Vitesse Kit-A vide	387	808656	Pompe-Carburant
104	694918	Goupille-Flottez La Charnière	404	690442	Rondelle (Manivelle Du Gouverneur)
105	797410	Valve-Flottez LAiguille	415	690283	Bouchon
108	699723	Valve-Obstruez	415A	794903	Bouchon
117	792296	Voyager en jet-main (Standard)(C.G.)	418	795912	Plat-Carburateur
117A	842627	Voyager en jet-main (Standard)(C.D.)	431	798860	Coude-Prise
118	699457	Voyager en jet-main (Haut Altitude)	445	792105	Cartouche De Décapant D'Filtre-Air
118A	699733	Voyager en jet-main (Haut Altitude)	447	691003	Vis (Couverture De Guide D'Air)
		(C.G.)	477	691003	Vis (Couverture De Guide D'Air)
		(C.D.)	462	691261	Rondelle
121	797890	Révision De Kit-Carburateur	467	790697	Bouton - Filtre À air
125	796227	Carburateur	474	696459	Alternateur
130	690993	Valve-Commande de puissance	501	691185	Régulateur
131	499805	Axe De Kit-Commande de puissance	505	691029	Ecroû
133	699724	Flotter-Carburateur	510	696541	Starter
135	699729	Transfert De Tube-Carburant	512	796530	Tuyau-Vide (Vidange d'huile)
137	690994	Garniture-Flottez La Cuvette	513	692024	Embryage-Conduisez
141	796228	Kit-Obstruez L'axe	523	691036	Jaugeur
142	699726	Bec-Carburateur	524	691032	Anneau De Joint-O (Tube De Jaugeur)

**TRACTEUR - - NUMÉRO DE MODÈLE 944.602670  
MOTEUR "BRIGGS & STRATTON" - NO. DE MODÈLE 445677, NO. DE TYPE 1578-G5**





48 LE PETITE BLOC 1058 MANUEL DE L'OPERATOR 1329 MOTEUR DE RECHARGE 1330 MANUEL DU PIÈCE DE RECHARGE 1036 ÉTIQUETTE

**TRACTEUR - - NUMÉRO DE MODÈLE 944.602670**  
**MOTEUR "BRIGGS & STRATTON" - NO. DE MODÈLE 445677, NO. DE TYPE 1578-G5**

**TRACTEUR - - NUMÉRO DE MODÈLE 944.602670  
TRANSMISSION "TUFFTORQ" - NO. DE MODÈLE K46BT**

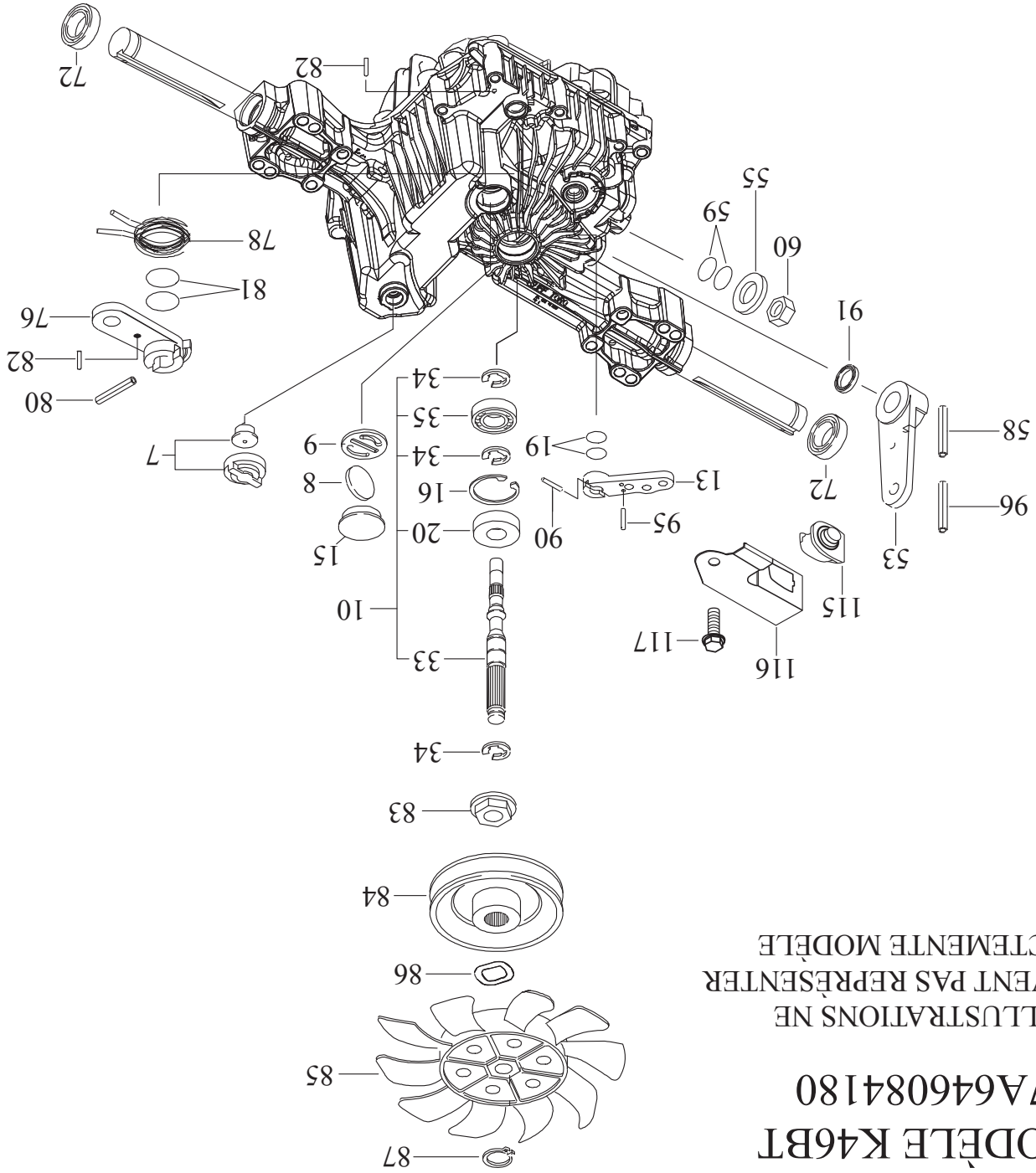
NO.	DE	REF.	PIÈCE	DESCRIPTION
7		414395	Conduit 15	
8		414396	Aimant	
9		414397	Porte-aimant	
10		415923	Pomper l'Arbre/Trousse de maintien	
13		414398	Sauter le levier	
15		414399	Casquette scellant 30	
16		414400	Claquer l'anneau C 35	
19		414401	O-anneau 1A P10a	
20		414402	Scellant Tc 153507	
33		414403	Pomper l'Arbre (Standard	
34		414404	E-anneau 15	
35		414405	Bearing 6202c3	
53		414431	Levier de commande	
55		415924	Rondelle 12	
58		415925	Rouler l'épingle 6 * 40	
59		415926	O-anneau 1A P14	
60		415927	Ecrou 12	
72		414407	Scellant 19 * 32 * 8	
76		414408	Levier de frein à main	
78		414409	Freiner le retour de printemps	
80		414410	Bondir l'épingle 5 * 32	
81		414411	O-anneau 1A P12	
82		414412	Bondir l'épingle 4 * 16	
83		414413	Col d'épine	
84		414414	Pouille L	
85		414415	Ventilateur, noir	
86		414416	Rondelle	
87		414417	Sonner le claquement	
90		414418	Bondir l'épingle 3.0a * 20	
91		414419	Huiler le cachet 16 * 22 * 03	
95		414850	Bondir l'épingle 3.0a * 16	
96		414420	Rouler l'épingle 3.5 * 40	
115		415928	Interrupteur 6440-11 DELTA	
116		415929	Support de Interrupteur	
117		415930	Vis 8 * 20	

**REMARQUE:** Toutes les dimensions de composant sont données en pouces E.-U. -- 1 pouce = 25,4 mm

**TRACTEUR - - NUMÉRO DE MODÈLE 944.602670  
TRANSMISSION "TUFFTORQ" - NO. DE MODÈLE K46BT**

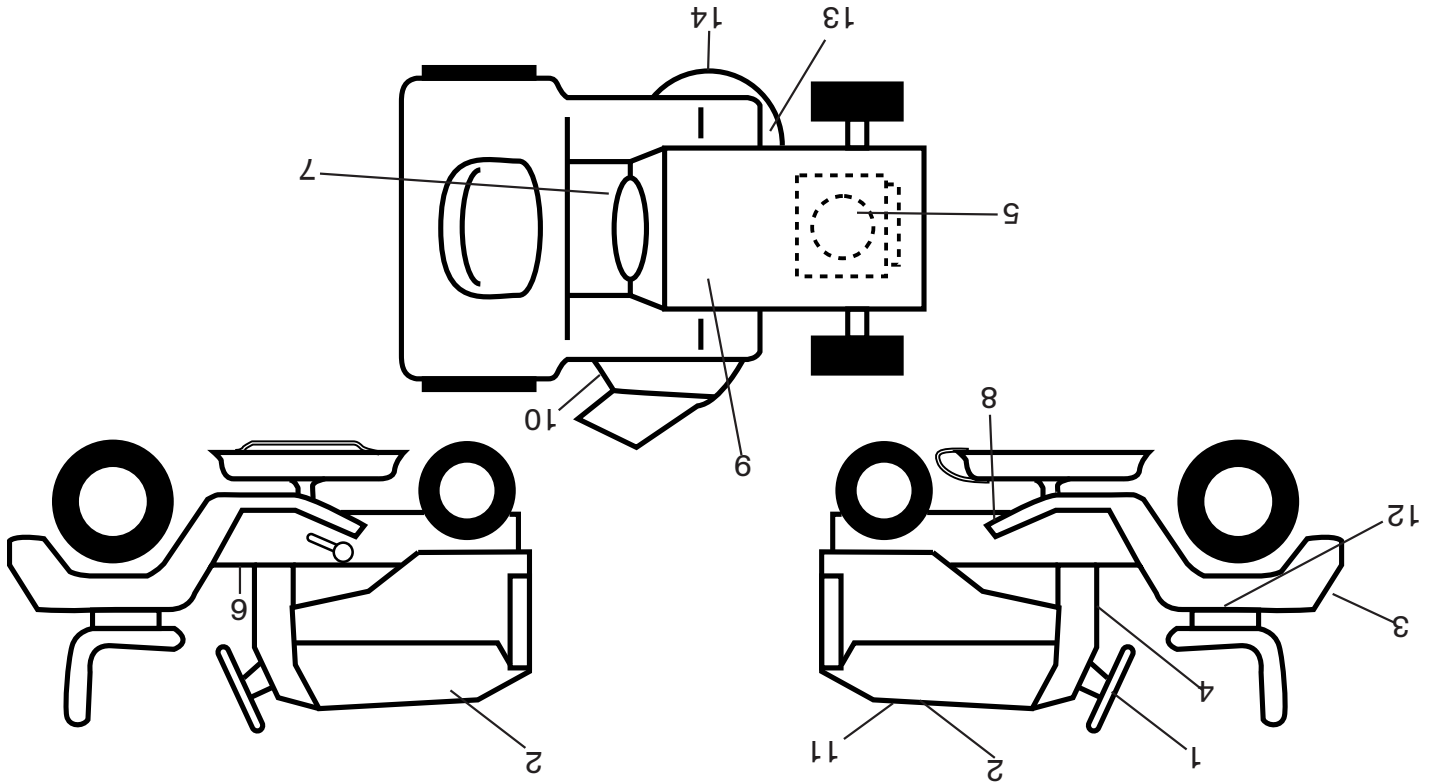
**MODÈLE K46BT  
7A646084180**

LES ILLUSTRATIONS NE  
PEUVENT PAS REPRÉSENTER  
EXACTEMENT LE MODÈLE



# TRACTEUR -- NUMÉRO DE MODÈLE 944.602670

## DECALCOMANIES



NO. NO	DÉ DE	REF. PIÈCE	DESCRIPTION
11	--	427508	Décalcomanie, Remplacement
12	--	442517	Étiquette EPA
13	--	160396	Décalcomanie, Schématique du Cour-
14	--	426593	roie "V" du tondeuse

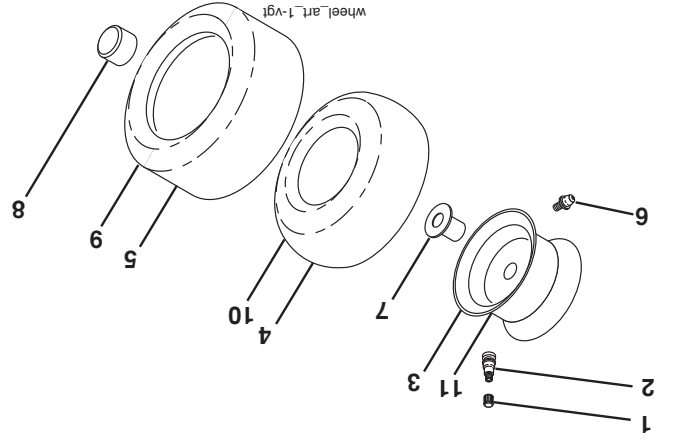
14	--	426593	Décalcomanie, Tracteur Prime
--	--	193226X428	Coussin de repose-pied (C.G.)
--	--	400981X428	Coussin de repose-pied (C.D.)
--	--	166960	Décalcomanie, Dérivation
--	--	448297	Manuel de L'Opérateur
--	--	448298	Manuel De Pièces De Remplacement
--	--		(Anglais/ Français)

NO. NO	DÉ DE	REF. PIÈCE	DESCRIPTION
--------	-------	------------	-------------

1	59192	1	Chapeau de soupape du pneu
2	65139	2	Tuyau du soupape
3	106732X613	3	Assemblage de la jante antérieure
4	59904	4	Chambre à air antérieure
5	106222X	5	Pneu antérieur
6	278H	6	Graisneur
7	9040H	7	Pallier à collerette
8	104757X428	8	Chapeau de l'essieu (Roue antérieure
9	138468	9	Pneu arrière
10	7152J	10	Chambre à air arrière
11	106108X613	11	Assemblage de la jante arrière
--	144334	--	Joint d'étanchéité de pneu (tube de

## WHEELS AND TIRES

NO. NO	DÉ DE	REF. PIÈCE	DESCRIPTION
1	439525	1	Décalcomanie, Volant de direction
2	443183	2	Décalcomanie, Capot (C.D./C.G.)
3	441122	3	Décalcomanie, Amortisseur
4	435286	4	Décalcomanie, Avertissement
5	426029	5	Décalcomanie, Moteur
6	41658	6	Décalcomanie, Fare-chocs
7	448709	7	Décalcomanie, Batterie
8	421534	8	Décalcomanie, Schématique du Cour-
9	149517	9	roie "V" d'entraînement
10	170563	10	Décalcomanie, Batterie
			Décalcomanie, Avertissement de fau-
			chuse

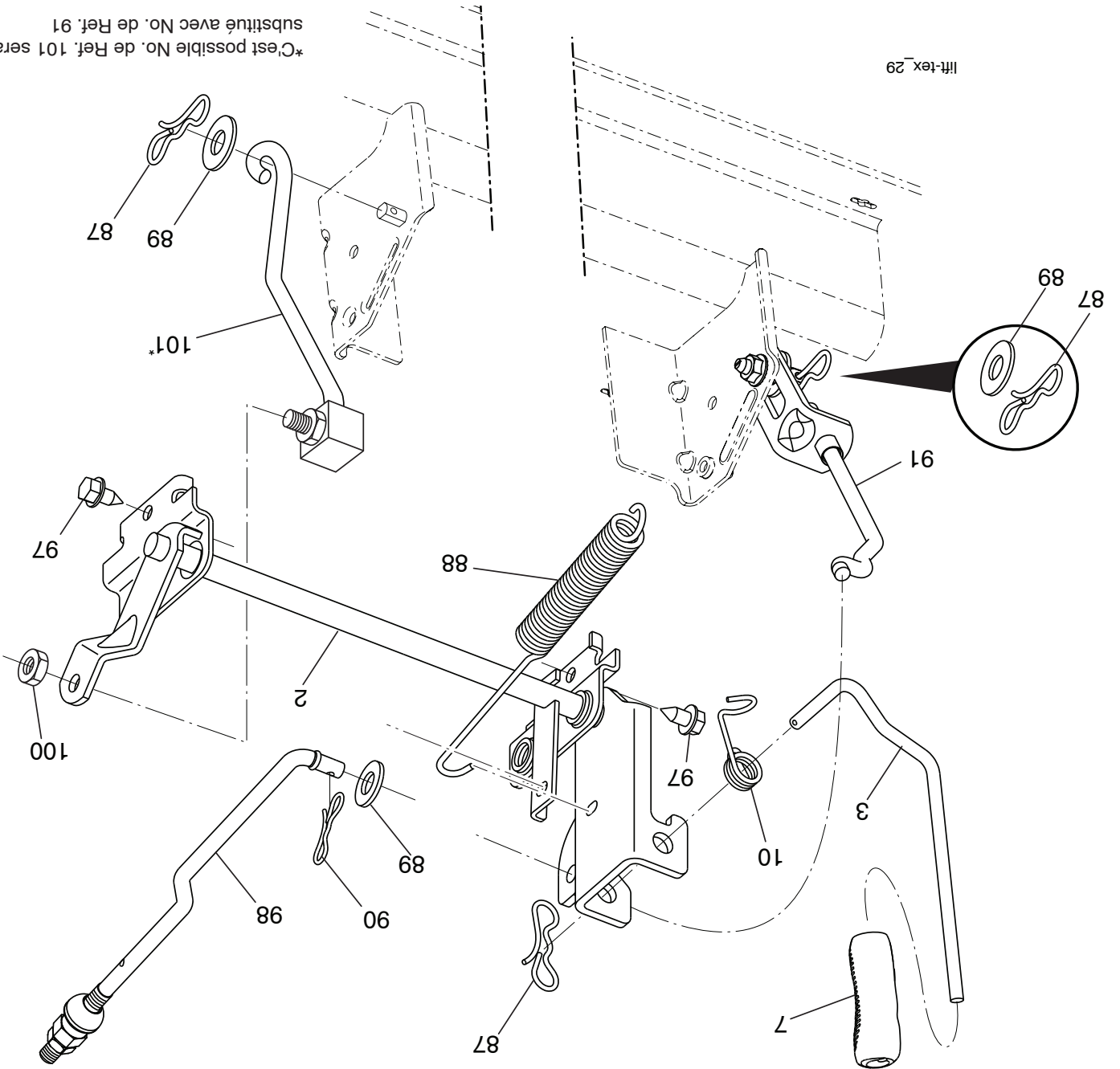


REMARQUE: Toutes les dimensions de composant sont données en pouces E.-U. -- 1 pouce = 25,4 mm



# TRACTEUR -- NUMÉRO DE MODÈLE 944.602670

## LEVAGE DE LA TONDEUSE



\*C'est possible No. de Ref. 101 sera substitué avec No. de Ref. 91

NO.	DE	DESCRIPTION
91	DE	Tige de levage (C.G.)
97	DE	Vis 3/8-16 x 3/4
98	DE	Tige de levage du suspension avant
100	DE	Ecron
101	DE	Tige de levage pas ajustable

**REMARQUE:** Toutes les dimensions de composant sont données en pouces E.-U. -- 1 pouce = 25,4 mm

NO.	DE	DESCRIPTION
2	DE	Ensemble de l'arbre
3	DE	Levier de levage (C.D.)
7	DE	Poignée du levier
10	DE	Ressort de torsion
10	DE	Goupille fendue 7/16
87	DE	Ressort du levage
88	DE	Rondelle 17/32 x 1-3/16 x 12 Ja.
89	DE	Goupille fendue 5/16
90	DE	

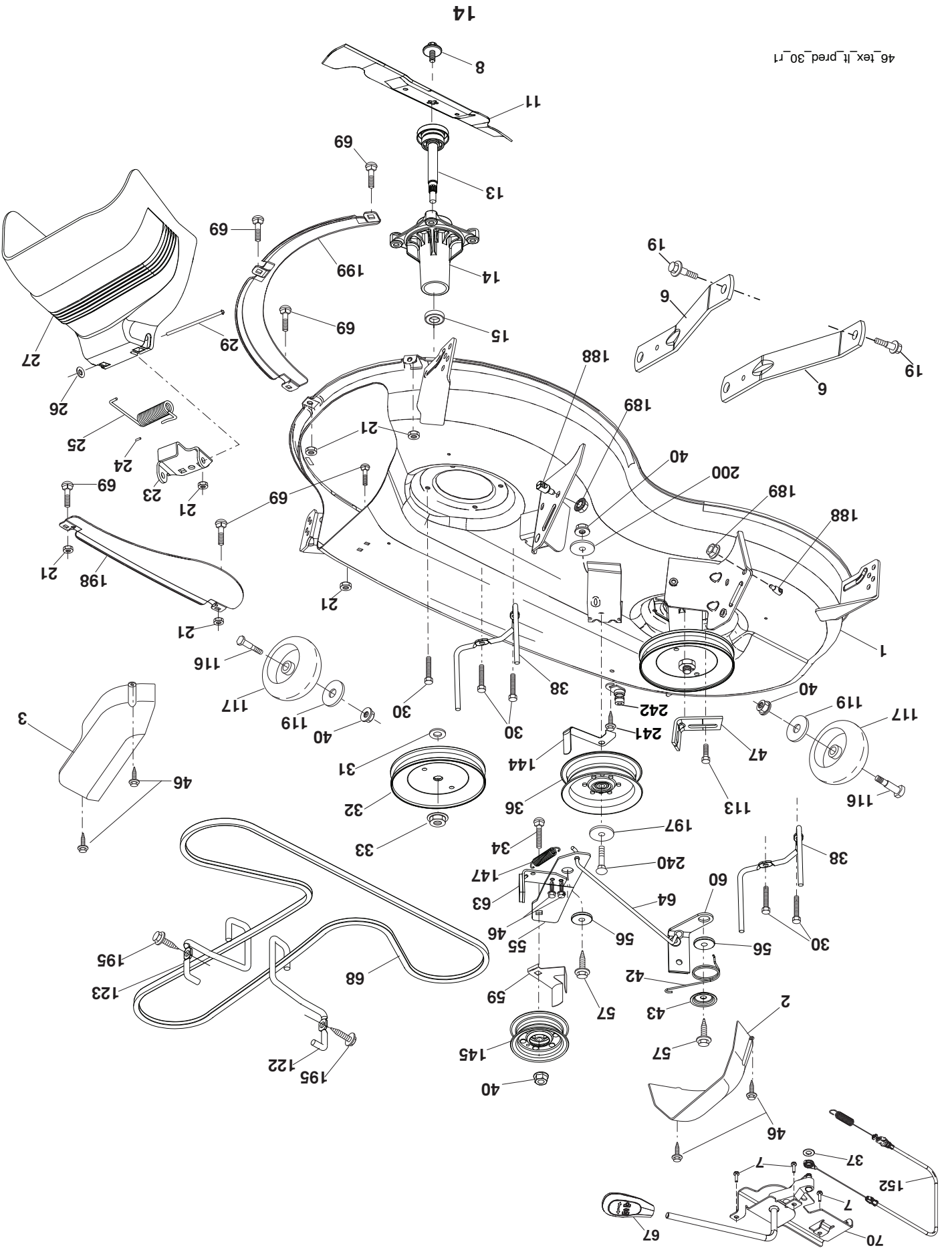
# TRACTEUR - - NUMÉRO DE MODÈLE 944.602670

## CARTER DE TONDEUSE

NO. DÉ	REF. PIÈCE	DESCRIPTION	NO. DÉ	REF. PIÈCE	DESCRIPTION
1	441611X613	Boîtier de tondeuse	67	198398X667	Guidon du câble d'embrayage
2	405507	Mandrin de couverture C.G.	68	405143	Courroie trapézoïdale
3	405506	Mandrin de couverture C.D.	69	72140505	Boulon 5/16-18 x 5/8
6	195186	Bras de suspension	70	199972	Ensemble du embrayage
7	416358	Vis #10 x .750	113	17000510	Vis 5/16-18
8	193003	Ensemble du Boulon/Rondelle 7/16-20 unt	116	4898H	Boulon
11	403107	Paillage de la lame	117	188606	Support de roue
13	192872	Ensemble de l'arbre	119	19121414	Rondelle 3/8-7/8 x 14 Ja.
14	187281	Cartier du mandrin	122	197258	Guide-courroie du Moteur C.G.
15	110485X	Roulement à billes du Mandrin	123	197259	Guide-courroie du Moteur C.D.
19	196539	Boulon à épaulement	144	199204	Guide-courroie
21	73680500	Ecroû auto-serrant 5/16-18 unc	145	193197	Pouille de tension principal
23	192557	Support du déflecteur	147	401872	Ressort de rappel
24	105304X	Chapeau de manchon	152	435111	Câbler le Manuel d'Embrayage
25	197026	Ressort de torsion	188	195161	Attache
26	110452X	Frein ecrou	189	73900500	Ecroû frein
27	405357	Déflecteur de décharge	195	17000612	Vis 3/8-16 x 3/4
29	131491	Tige à charnière	197	19131312	Rondelle 13/32 x 13/16 x 12 Ja..
30	173984	Vis à filets lamines	198	403149	Cloison de centre avant
31	187690	Entretoise	199	403150	Cloison avant C.D.
32	197473	Pouille du Mandrin	200	413524	Rondelle 13/32 x 1 x 1/2 x 11 Ja.
33	400234	Ecroû	240	74520636	Boulon 3/8-16 x 2-1/4 Cat. 5
34	72110612	Boulon 3/8-16 x 1-1/2 Cat. 5	241	152927	Vis
36	197379	Pouille de tension, 4.50 RAW	242	415598	Raccord de lavage du plateau de coupe
37	19131316	Rondelle 13/32 x 13/16 x 16 Ja.	--	416405	Connecter d'accouplement du rapide
38	432220	Guide-courroie du Mandrin C.G.	--	192870	Ensemble du mandrin (inclut boîtier, ensemble arbre, et palier seulement - pouille/écrou/rondelle et lame, boulon/ rondelle ne pas inclut)
40	73900600	Ecroû frein 3/8-16 unc	--	441183	La Tondeuse à gazon de remplacement, Complet
42	198410	Bondir le Frein de Torsion			
43	197256	Bondir la Torsion de retenue			
46	137729	Vis 1/4-20 x 5/8			
47	197250	Support du câble d'embrayage			
55	197249	Bras du gâlet-tendeur			
56	199092	Entretoise			
57	17000616	Vis 3/8-16 x 1			
59	141043	Protecteur			
60	199471	Levier de frein			
63	199477	Levier de frein			
64	405138	Raccord			

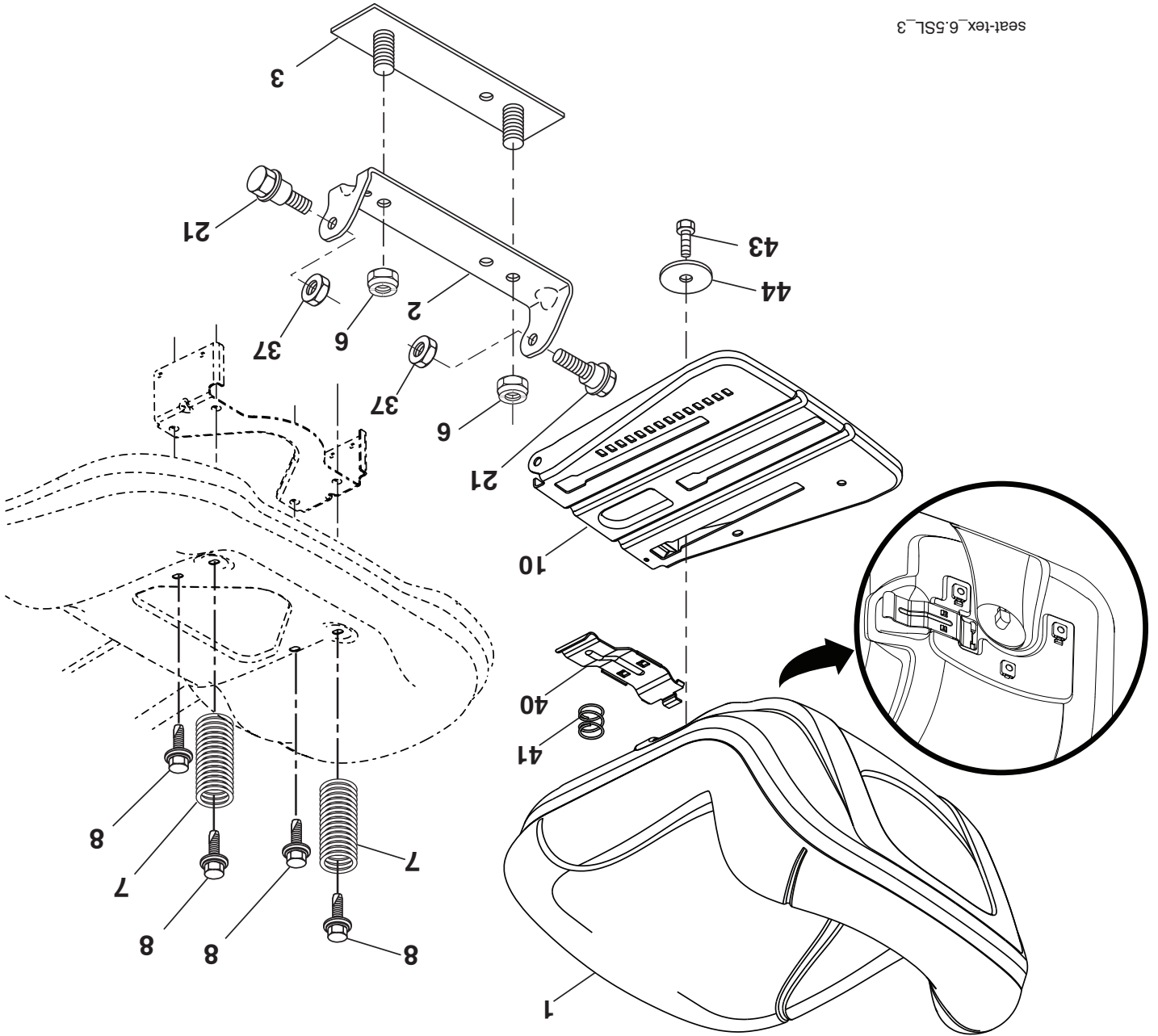
**REMARQUE:** Toutes les dimensions de composant sont données en pouces E.-U. -- 1 pouce = 25,4 mm.

TRACTEUR - - NUMÉRO DE MODÈLE 944.602670  
 CARTER DE TONDEUSE



# TRACTEUR -- NUMÉRO DE MODÈLE 944.602670

## ENSEMBLE DU SIÈGE



seat-tex\_6.5SL\_3

**REMARQUE:** Toutes les dimensions de composant sont données en pouces E.-U. -- 1 pouce = 25,4 mm

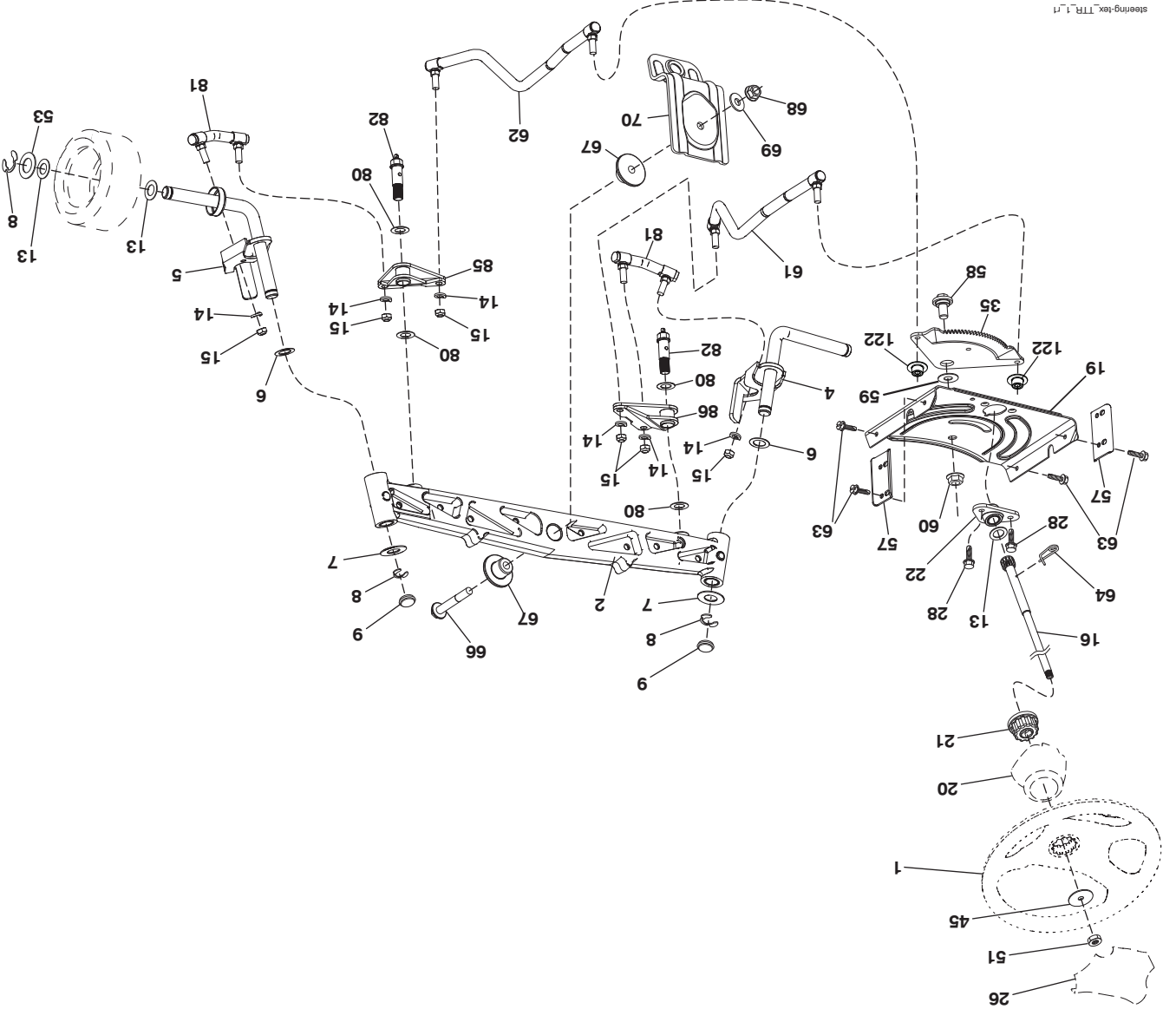
NO. DE PIÈCE	DESCRIPTION
40	Poignée glissant du siège
41	Ressort du loquet
43	Boulon 3/8-16 x 3/4
44	Rondelle 13/32 x 2 3/8 x 12 Ja.

NO. DE PIÈCE	DESCRIPTION
1	Siège
2	Support de pivot
3	Support de siège
6	Contre-écrou avec rondelle insert 3/8-16
7	Ressort de compression du siège
8	Boulon 5/16-18 unc x 3/4
10	Panneau du siège
21	Boulon 5/16-18
37	Contre-écrou 5/16-18

# TRACTEUR - - NUMÉRO DE MODÈLE 944.602670

## ENSEMBLE DE LA DIRECTION

steering-tox\_TTR\_1\_17



NO. DE REF.	PIECE
1	414803X428
2	436870
4	436873
5	436874
6	6266H
7	121748X
8	1200029
9	184946X667
13	121749X
14	10040600
15	73540600
16	440785
19	194729
20	199676X428
21	437747
22	194845
26	414852X428
28	17000612
35	440770
45	19183812
51	73940800
53	188967

DESCRIPTION	NO. DE REF.
Volant de direction	57
Assemblage d'essieu	58
Fusée d'arbre (C.G.)	59
Fusée d'arbre (C.D.)	60
Palier	61
Rondelle 25/32 x 1-5/8 x 16 Ja.	62
Anneau de retenue #T5304-75	63
Chapeau de fusée d'arbre	64
Rondelle 25/32 x 1-1/4 x 16 Ja.	66
Rondelle 3/8	67
Ecrou 3/8-24 unft	68
Arbre de direction	69
Plaque de direction	70
Plaque de direction	71
Adaptateur du volant de direction	72
Douille	73
Chapeau du volant de direction	74
Vis 3/8-16 x 3/4	75
Plaque de mécanisme denté	76
Rondelle 9/16 x 2-3/8 x 12 Ja.	77
Ecrou 1/2-20 unft	78
Rondelle : 793 x 1.637 x .060	79

DESCRIPTION	NO. DE REF.
Support	407465
Boulon	194747
Rondelle	194748
Contre-écrou collerette 5/8-11	73971000
Tige de direction (C.G.)	436884
Tige de direction (C.D.)	436885
Vis 5/16-18 x 3/4	17000512
Collier de retenue	199849
Boulon 7/16-14 x 3	71020748
Coussinet	194737
Contre-écrou collerette 7/16-14 Cat. 5	73900700
Rondelle 1.5 x .505 x .118	199162
Support du suspension de tondeuse	196197
Rondelle	1370H
Lien (C.D.)	436887
Boulon de pivot	436877
Pivot (C.D.)	441873
Pivot (C.G.)	441872
Chapeau	444962

**REMARQUE:** Toutes les dimensions de composant sont données en pouces E.-U. -- 1 pouce = 25,4 mm

NO. NO  
DE DE  
REF. REF.  
PIECE PIECE

1 - - - -  
Moteur B&S No. de modèle

445677-1578-G5(442176) (Commandez les pièces du fabricant du moteur.)

2 149723 Silencieux

9 194320 Garde du courroie du moteur

12 405472 Paille du moteur

15 438080 Réservoir d'essence

18 430214 Chapeau d'essence

20 421473X428 Commande des gaz et l'étrangleur

21 416358 Vis 10 x .750

28 401135 Conduite d'essence

29 137180 Jeu de pare - étincelles

37 123487X Collier de serrage pour tuyaux flexibles

42 10040700 Rondelle 7/16

45 73510400 Ecrou 1/4-20 unc

62 434017 Pare-chaleur du silencieux

69 165391 Garniture

70 159955 Tube d'échappement (C.G.)

71 160589 Tube d'échappement (C.D.)

79 183906 Vis 5/16-18 x 1

84 17060620 Vis 3/8-16 x 1-1/4

85 173937 Boulon 7/16-20 x 4 x Cat. 5-1.5

87 171877 Boulon 5/16-18 unc x 3/4

90 17000616 Vis 3/8-16 x 1.0

91 187495 Douille

**REMARQUE:** Toutes les dimensions de composant sont données en pouce d'E.-U. - - 1 pouce = 25,4 mm.

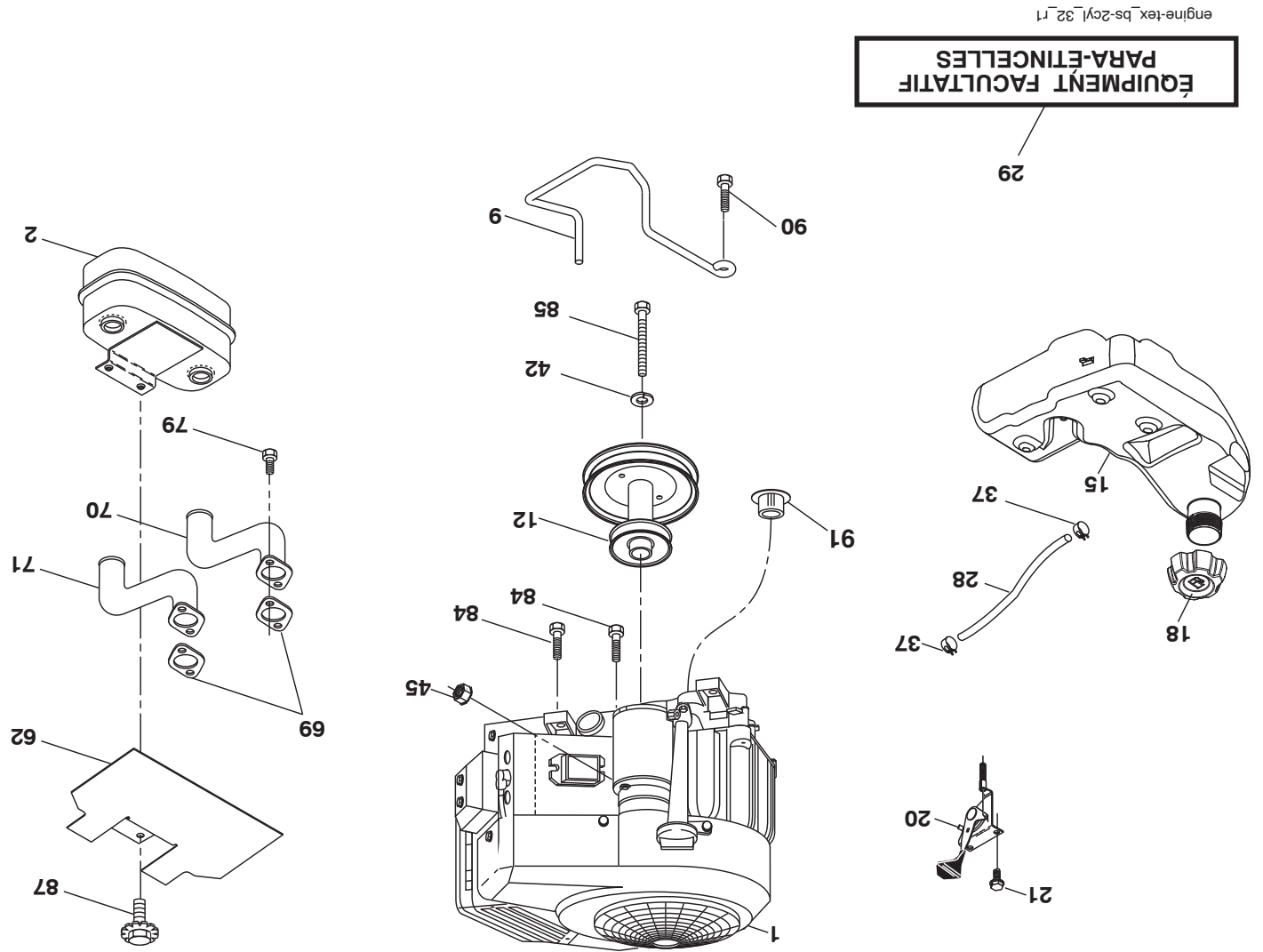
Pour des pièces de service et de rechange de moteur, réclamez le numéro de téléphone libre pour votre fabricant de moteur énuméré ci-dessous:

Briggs & Stratton

1-800-233-3723

**Informations concernant la puissance théorique du moteur**

La puissance brute pour chaque Modèle de moteur à essence est indiquée conformément au code J1940 (procédure de calcul de la puissance et du couple des petits moteurs) de la SAE (Society of Automotive Engineers) et les performances théoriques ont été obtenues et corrigées selon SAE J1995 (révision 2002-05). Les valeurs de couple sont calculées sur la base de 3060tr/min et celles de puissance sur la base de 3600tr/min. La puissance brute réelle du moteur peut être plus faible notamment à cause des conditions de fonctionnement et des variations d'un moteur à l'autre. Compte tenu de la grande variété de machines sur lesquelles nos moteurs sont utilisés et du nombre de problèmes environnementaux applicables au fonctionnement des équipements, il se peut que le moteur à essence ne développe pas sa puissance théorique une fois qu'il est monté sur une machine particulière (puissance nette ou réelle « sur site»). Cette différence s'explique par un grand nombre de facteurs, tels que (liste non limitative): accessoires (filtre à air, échappement, admission, refroidissement, carburateur, pompe à essence, etc.), limites d'utilisation, conditions ambiantes d'utilisation (température, humidité, altitude) et variations d'un moteur à l'autre. Pour des raisons de fabrication et de capacité limitées, Briggs & Stratton est susceptible de remplacer ce Modèle par un moteur plus puissant.



# TRACTEUR - - NUMÉRO DE MODÈLE 944.602670

## ENTRAÎNEMENT

NO. DE DÉ	REF. PIÈCE	DESCRIPTION
1	---	Transaxle, TUFFTORQ K46 BT
(426120) (Commandez les pièces du fabricant du transmission.)		
2	123583X	Cle
15	19131316	Rondelle 13/32 x 13/16 x 16 Ja.
17	413678	Ressort du frein
26	199679	Tige d'embrayage, croisière
29	403806	Tige du frein
33	1200001	Anneau "E"
35	435486	Tige du frein de stationnement
42	8883R	Couverture de la pédale
49	72110614	Boulon
50	194327	Pouille du galet-tendeur
51	73900600	Contre-écrou 3/8-16
52	194326	Pouille 910" contrebalance
56	130969	Courroie trapézoïdale
64	197865	Ensemble de l'arbre
73	74490540	Boulon 5/16-18 Cat. 5
80	440619	Support
92	74760520	Boulon 5/16-18 unc x 1.25
99	415742	Tige de dérivation
116	73900500	Contre-écrou collière 5/16-18
125	17000512	Vis 5/16-18 x 3/4
143	17490508	Vis
153	4497H	Ressort de retenue
159	76020412	Epingle goupille 1/8 x 3/4
160	169484	Collier de retenue
161	105709X	Ressort du rappel d'embrayage
163	401034	Tige du commande de pédale
166	429164	Écrou .625
167	405257	Loquet du frein de stationnement
170	194322	Garde du pouille

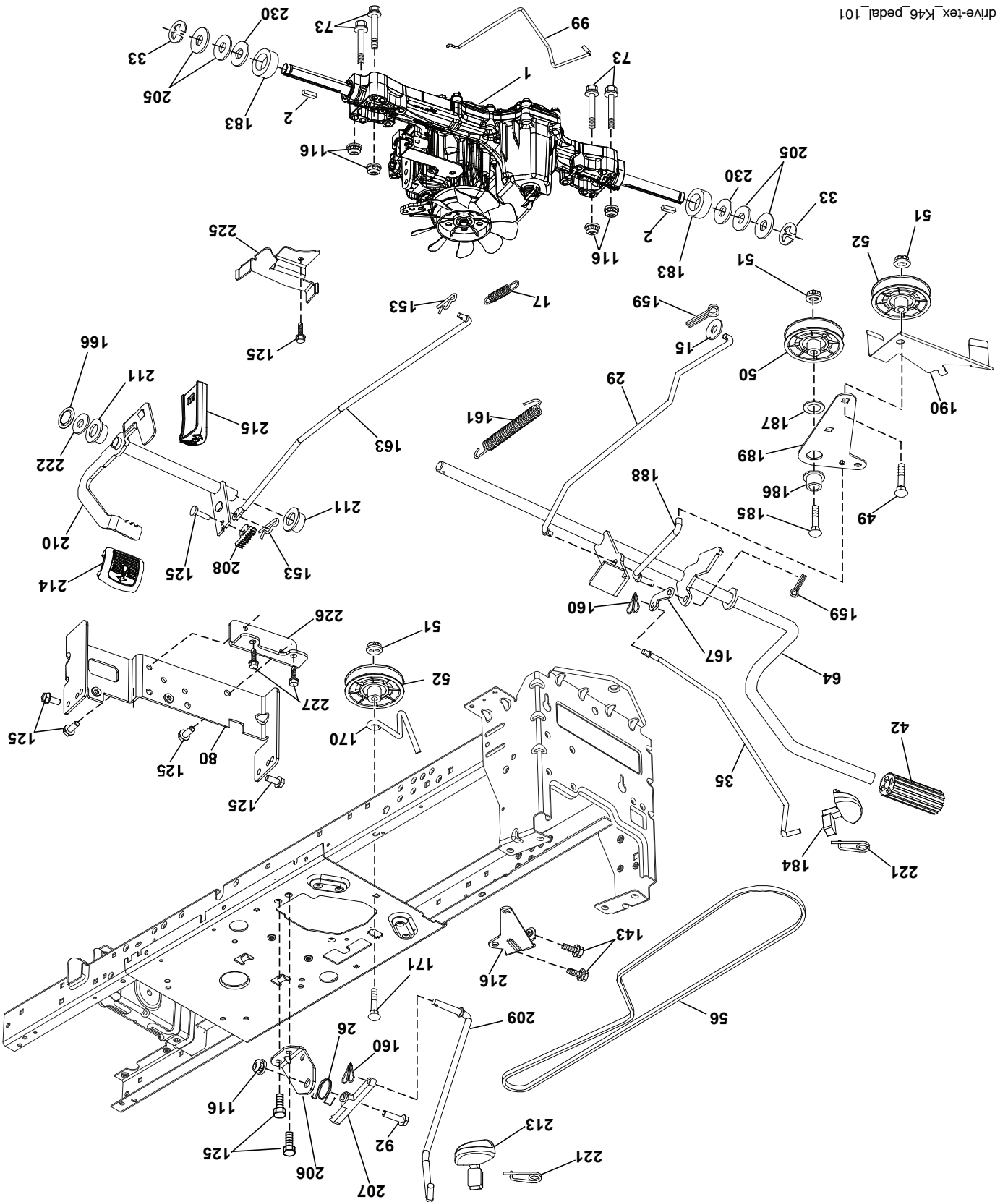
NO. DE DÉ	REF. PIÈCE	DESCRIPTION
171	72110616	Boulon 3/8-16 x 2
183	137057	Entretoise d'essieu
184	196439X667	Poignée de frein de stationnement
185	72110622	Boulon 3/8-16 x 2-3/4 Cat. 5
186	194321	Entretoise
187	19133210	Rondelle
188	194323	Tige d'embrayage
189	194317	Support du pouilles
190	194318	Garde du pouille
205	121748X	Rondelle
206	197867	Support, croisière
207	197868	Commande de verrou croisière
208	197869	Commande de secteur de vitesse, croisière
209	199592	Tige du croisière
210	400980	Culbuteur commande de pédale
211	120183X	Nylon de roulement
213	196441X428	Bouton, croisière
214	421263	Pédale en avant
215	197301X428	Inverse de pédale
216	196131	Support
221	403187	Ressort du retenue
222	79212010	Rondelle 21/32 x 1-1/4 x 10 Ja.
225	403319	Guide-Courroie Transmission
226	401564	Support de Montage Couple de Rota-
227	17490512	Vis 5/16-18 x 3/4
230	188967	Rondelle Durcie

**REMARQUE:** Toutes les dimensions de composant sont données en pouces E.-U. --1 pouce = 25,4 mm



TRACTEUR - - NUMÉRO DE MODÈLE 944.602670

ENTRAÎNEMENT



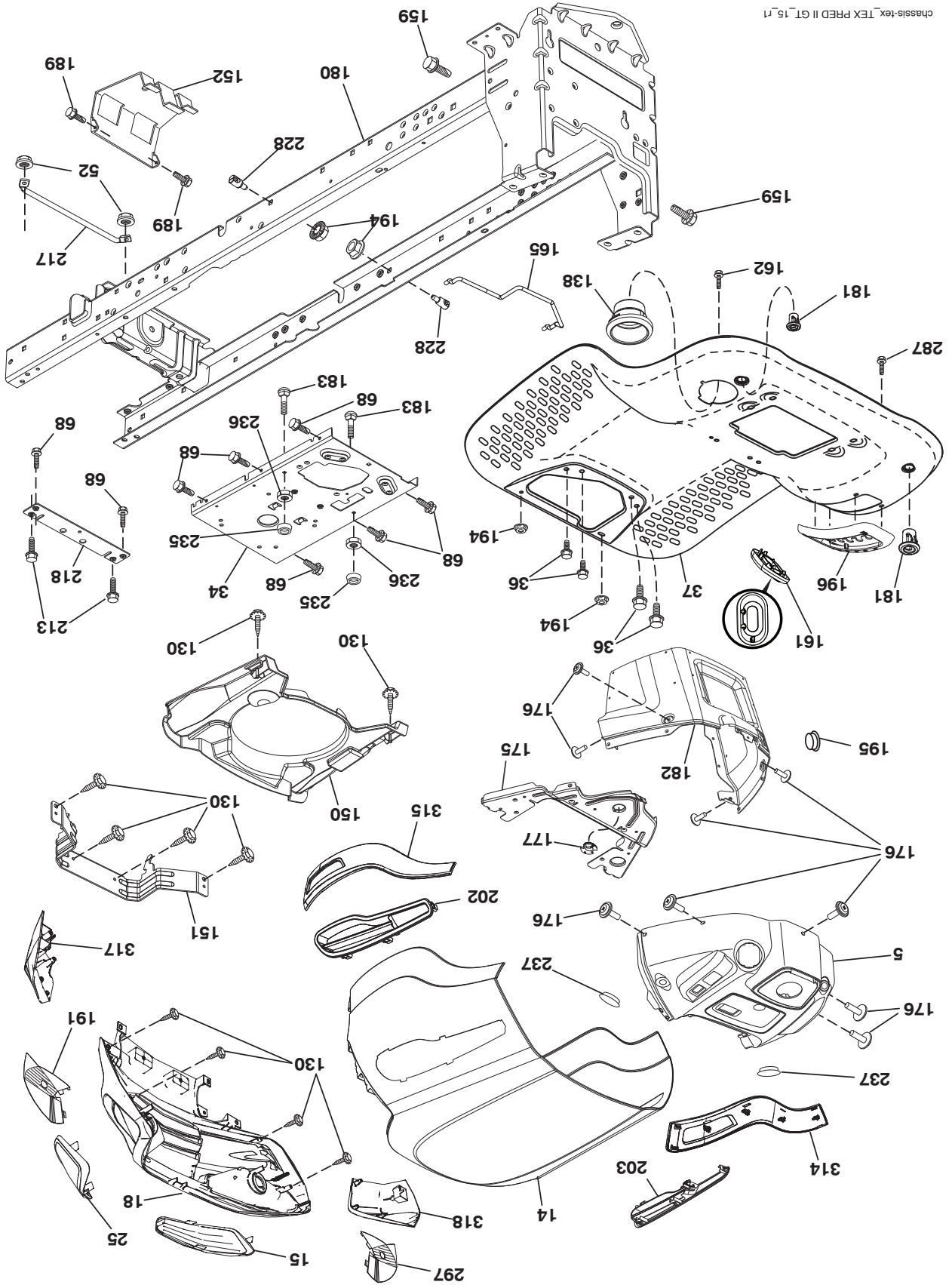
drive-tex\_K46\_pedal\_101

**TRACTEUR - - NUMÉRO DE MODÈLE 944.602670**  
**CHÂSSIS/ENCEINTES**

NO. DE RÉF. PIÈCE	DESCRIPTION
5	Tableau de bord
14	Capot
15	Lentille (C.G.)
18	Gilille
25	Lentille (C.D.)
34	Plaque Moteur
36	Vis 5/16-18 x 3/4
37	Amortisseur
52	Contre-écrou 5/16-18
68	Vis 5/16-18 x 1/2
130	Vis #10 x .750
138	Support De Tasse
150	Conduit d'entrée d'air
151	Support
152	Bouclier de débris
159	Vis 3/8-16 x 3/4
161	Lentille pour l'essence
162	Vis 1/4 x 1/2
165	Support d'essence
175	Traverse
176	Vis 10-24 x 5/8
177	Coussinet
180	Châssis
181	Coussinet
182	Tableau du bord inférieur
183	Boulon 5/16-18 x 1-1/4
189	Vis 5/16 - 18 x 3/4
191	Insert (C.D.)
194	Contre-écrou collerette 5/16-18
195	Bouchon de 12V
196	Assemblage du console
202	Événement (C.D.)
203	Événement (C.G.)
213	Boulon 5/16-18 unc x 3/4
217	Tige
218	X-Pièce Capot Arrêt
228	Attache à tenon
235	Entretoise du pare-chocs
236	Contre-écrou 5/16-18
237	Bouchon
287	Vis
297	Insert (C.G.)
314	Panneau plus bas (C.G.)
315	Panneau plus bas (C.D.)
317	Chapeau (C.D.)
318	Chapeau (C.G.)

**REMARQUE:** Toutes les dimensions de composant sont données en pouces E.-U. -- 1 pouce = 25,4 mm

**TRACTEUR - - NUMÉRO DE MODÈLE 944.602670**  
**CHÂSSIS/ENCEINTES**



chassis-tex\_TEX PREED II GT\_15\_14

# TRACTEUR - - NUMÉRO DE MODÈLE 944.602670

## ELECTRIQUE

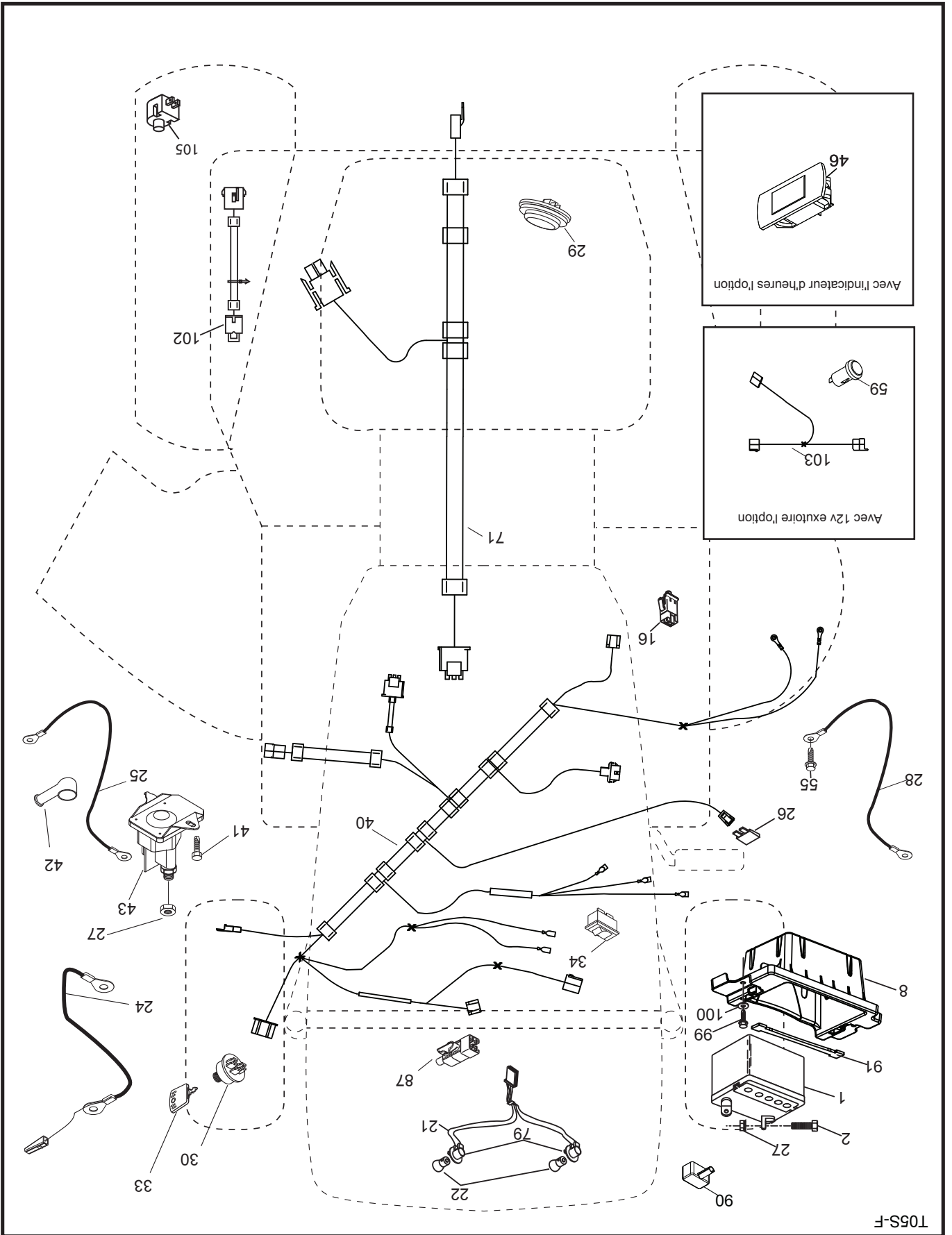
NO.	DE	REF.	DESCRIPTION
NO.	DE	PIECE	
1		163465	Batterie
2		74760412	Boulon 1/4-20 unc x 3/4
8		186491	Bac de batterie
16		176138	Interrupteur
21		400252	Harnais de prise de courant d'ampoule 4152J
22		4152J	Ampoule
24		400253	Câble de Batterie 8"
25		412895	Cable 6 Ja. 17.5"
26		175158	Fusible
27		73510400	Ecroû 1/4-20 unc
28		145491	Câble
29		401545	Interrupteur de siège
30		193350	Interrupteur d'allumage
33		411934	Clé/Chaîne
34		110712X	Interrupteur des phares
40		401098	Harnais d'allumage/levage
41		17720408	Vis 1/4-20 x 1/2
42		131563	Couvercle de borne
43		192507	Solénoïde
46		401763	Compteur Horaire
55		17060612	Vis 5/16-18 x 3/4
71		194276	Harnais d'allumage/levage
79		175242	Prise de courant d'ampoule
87		197802	Interrupteur de verrouillage de câble d'embrayage
90		435395	Couvercle du borne de batterie
91		190270	Sangle de batterie
99		17670412	Vis 1/4-20 x 3/4
100		19091416	Rondelle 9/32 x 7/8 x 16 Ja.
102		404454	Harnais de tresse
105		407568	Inverseur

**REMARQUE:** Toutes les dimensions de composant sont données en pouces E.-U. -- 1 pouce = 25,4 mm

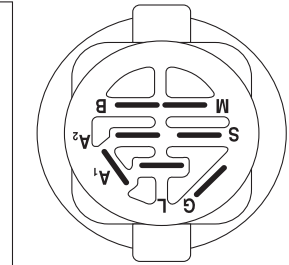
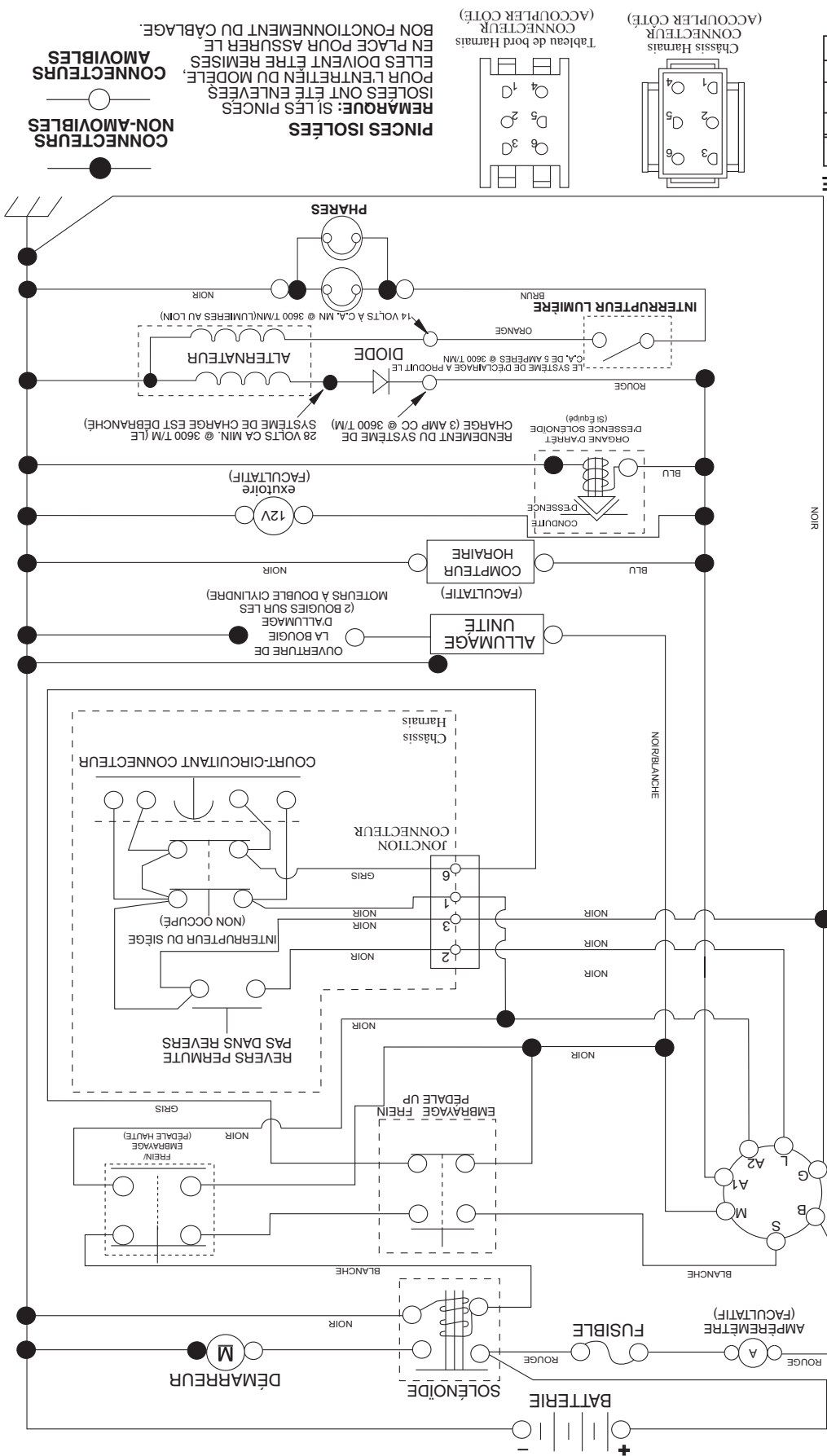
TRACTEUR - - NUMÉRO DE MODÈLE 944.602670

ELECTRIQUE

T05S-F



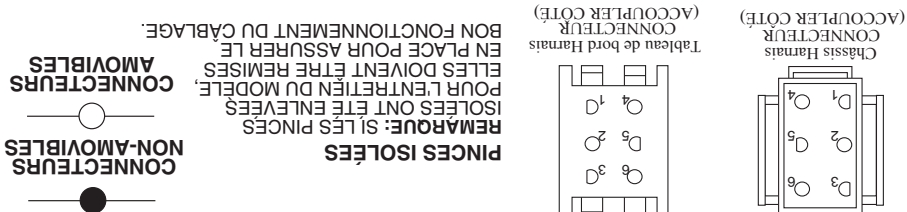
TRACTEUR - - NUMÉRO DE MODÈLE 944.602670



**REMARQUE**  
 VOTRE TRACTEUR EST ÉQUIPÉ D'UN SYSTÈME D'ALTERNATEUR SPÉCIAL AU LIEU D'ÊTRE BRANCHÉS SUR LA BATTERIE. LES PHARES DISPOSENT DE LEUR PROPRE SOURCE D'ÉNERGIE ÉLECTRIQUE. DONC LA BRILLANCE DES PHARES CHANGERA EN FONCTION DE LA VITESSE DU MOTEUR. AU RALENTI, LA BRILLANCE DES PHARES BAISSERA: QUAND LE MOTEUR EST ACCÉLÉRÉ, LA BRILLANCE ATTEINDRA SON MAXIMUM.

**CONTACTEUR D'ALLUMAGE**

POSITION	CIRCUIT "FAITS"
ARRÊT	M + G + A1
MARCHE/ ALLUMAGE	B + A1
MARCHE	B + A1
DEMARRAGE	B + S + A1



**PINCES ISOLÉES**  
 REMARQUE: SI LES PINCES ISOLÉES ONT ÉTÉ ENLEVÉES POUR L'ENTRETIEN DU MODÈLE, ELLES DOIVENT ÊTRE REMISES EN PLACE POUR ASSURER LE BON FONCTIONNEMENT DU CÂBLAGE.



**CONNECTEURS NON-AMOVIBLES**



# COMMENT UTILISER CE MANUEL

Ce manuel a été dessiné pour fournir le client avec les moyens d'identification des pièces de détails du tracteur quand il/elle a besoin de commander les pièces de rechange. Les illustrations ne peuvent pas représenter exactement le modèle que vous avez acheté. N'utilisez pas ce manuel comme un guide dans le montage et/ou démontage de votre tracteur. La visserie montrée est plus grande pour faciliter l'identification.

Chaque tracteur a un numéro de modèle particulier.

Le numéro de modèle du produit se trouvera sur l'aile, dessous le siège.

Lorsque vous commandez des pièces de rechange, donnez toujours les renseignements suivants:

- Produit - "TRACTEUR"
- NUMÉRO DU MODÈLE - "944.602670"
- Numéro de la Pièce
- Description de la Pièce

## TABLE DE MATIERES

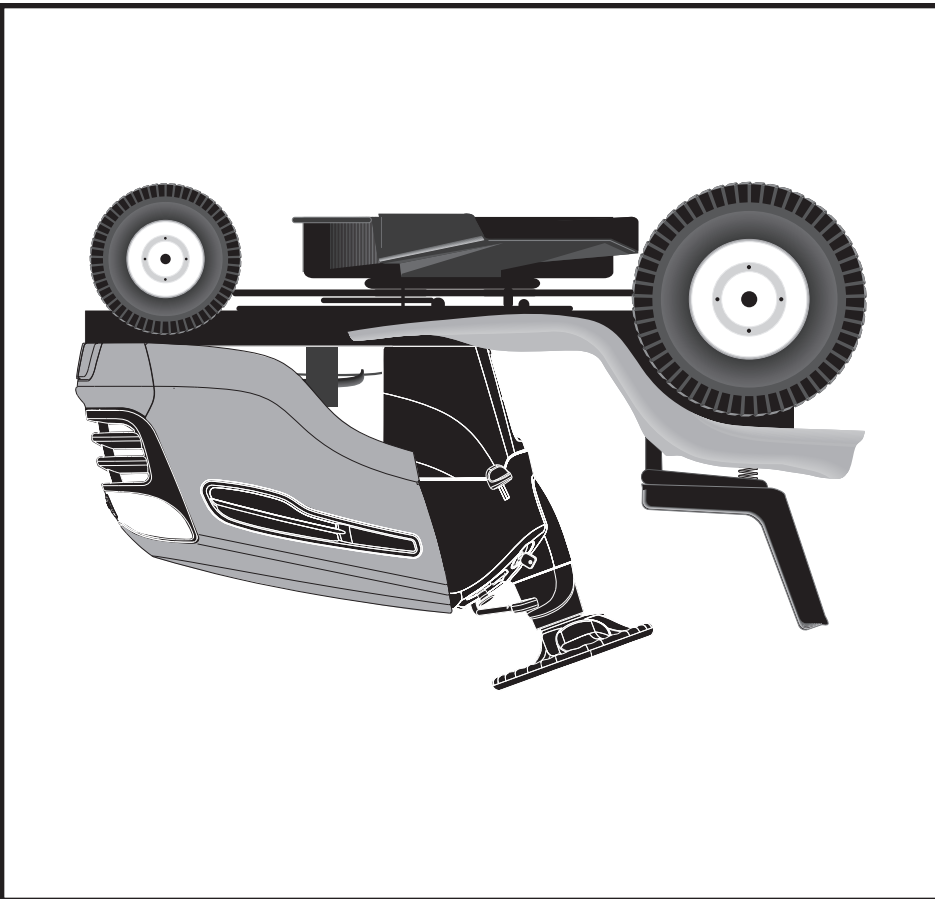
SCHEMA.....	3
ELECTRIQUE.....	4-5
CHASSIS/ENCEINTES.....	6-7
ENTRAÎNEMENT.....	8-9
MOTEUR.....	10-11
ENSEMBLE DE LA DIRECTION.....	12
ENSEMBLE DU SIÈGE.....	13
CARTER DE TONDEUSE.....	14-15
LEVAGE DE LA TONDEUSE.....	16
DECALCOMANIES.....	17
VOYEZ LES DÉTAILS DE TRANSMISSION.....	18-19
VOYEZ LES DÉTAILS DE MOTOR.....	20-23
ENTRETIEN DE "SEARS".....	24

Sears Canada, Inc., Toronto, Ontario M5B 2B8

\*As estimé par le fabricant de moteur

Vous pouvez utiliser de l'essence contenant jusqu'à 10 % d'éthanol (E10) avec cet appareil.  
L'utilisation d'essence contenant plus de 10 % d'éthanol annulera la garantie du produit.

**24,0 C.V.\***  
**DEMARRAGE ÉLECTRIQUE**  
**TONDEUSE DE 117 CM (46 PO.)**  
**AUTOMATIQUE**  
**TRACTEUR DE PELOUSE**



Importante: Lisez  
et suivez le mode  
d'emploi et toutes  
les règles de sécu-  
rité avant d'utiliser  
cet équipement.

**NUMÉRO DE  
MODÈLE  
944.602670**

**SEARS**  
**MANUEL DE  
PIÈCES DE  
RECHANGE**