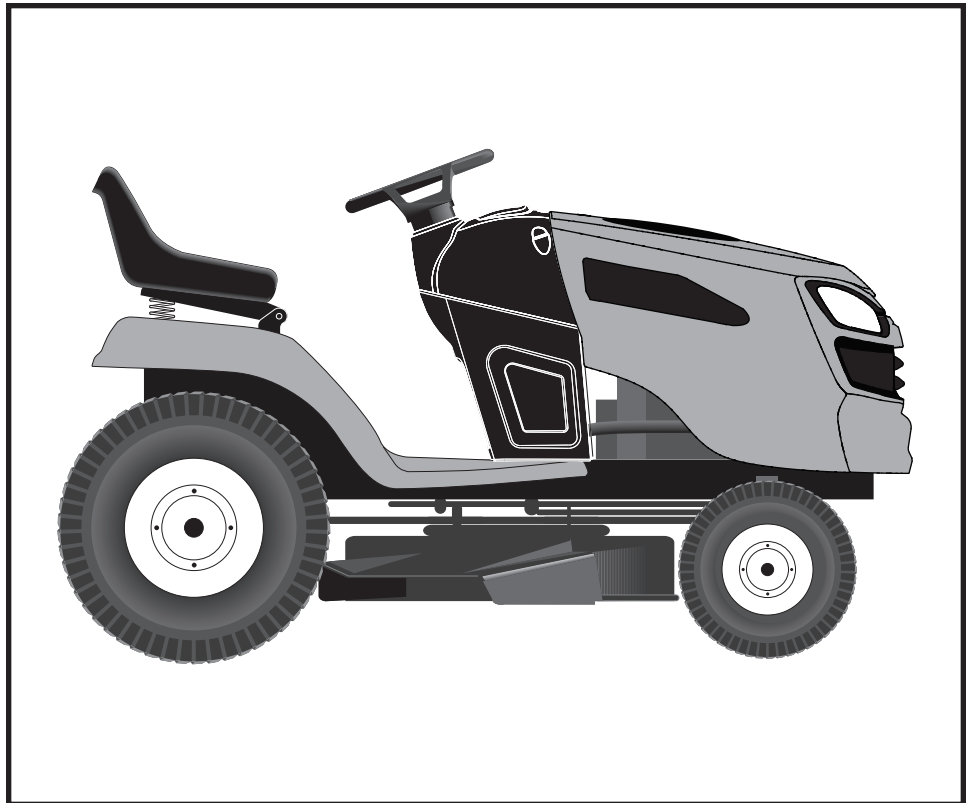


SEARS
PARTS
MANUAL

**MODEL NO.
944.602680**

**Important:
Read and follow
all Safety Rules
and Instructions
Before Operating
This Equipment**



CRAFTSMAN®

**26.0 HP*
ELECTRIC START
54" MOWER
AUTOMATIC TRANSMISSION
LAWN TRACTOR**

**Gasoline containing up to 10% ethanol (E10) is acceptable for use in this machine.
The use of any gasoline exceeding 10% ethanol (E10) will void the product warranty.**

*As rated by the engine manufacturer

Sears Canada, Inc., Toronto, Ontario M5B 2B8

580401824

02.14.12 AP
Printed In The U.S.A.

HOW TO USE THIS MANUAL

This manual is designed to provide the customer with a means to identify the parts on his/her tractor when ordering repair parts. The illustrations may or may not represent the actual assemblies; therefore, it is not recommended to use this manual as a guide to assemble or disassemble the tractor. Some hardware and parts are drawn larger in order to more readily identify them.

Each tractor has its own model number.

The model number for your tractor can be found on the fender under the seat.

When ordering parts, always give the following information:

- Product - "Tractor"
- MODEL NUMBER - "944.602680"
- Part Number
- Part Description

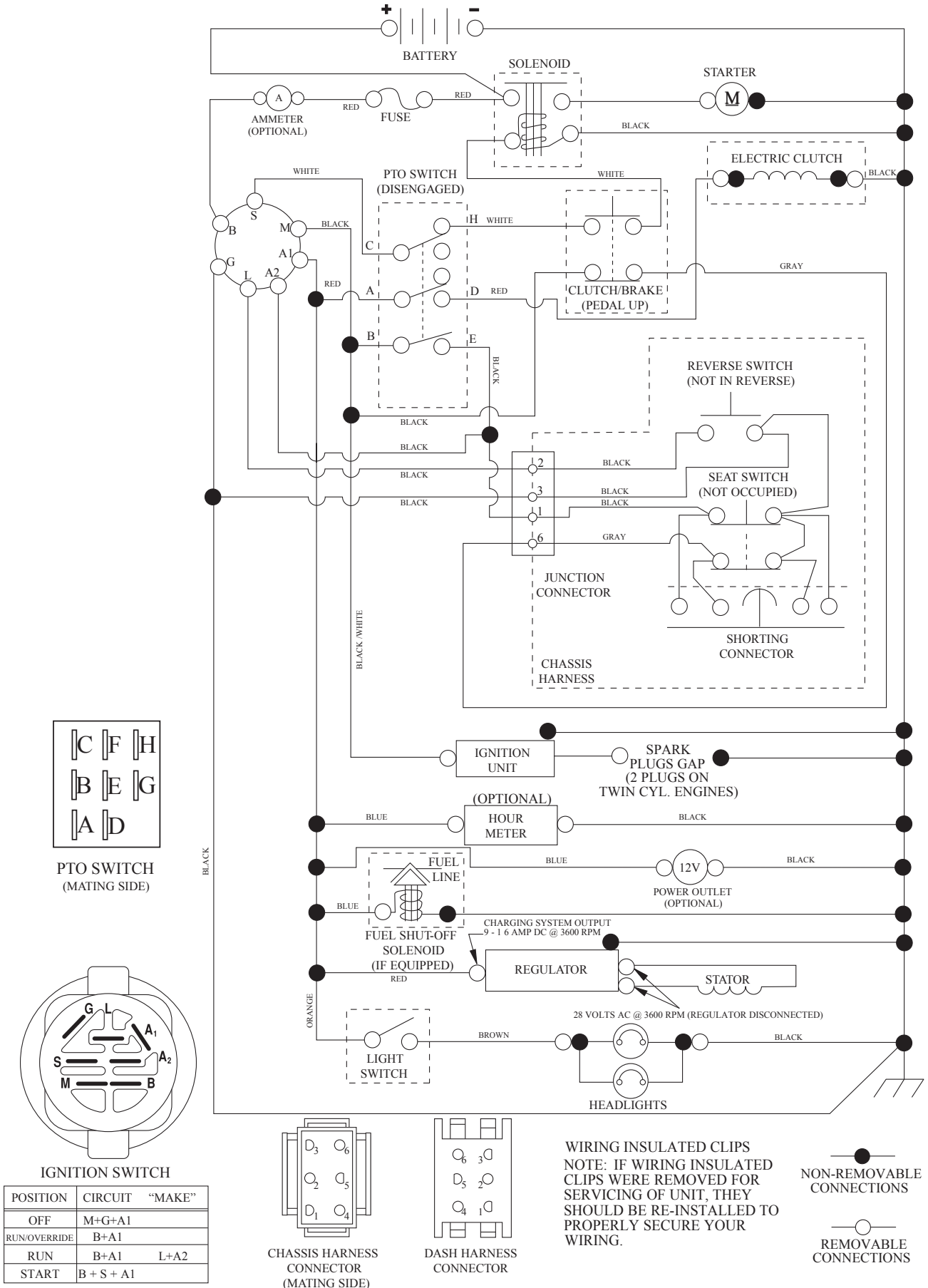
TABLE OF CONTENTS

SCHEMATIC	3
ELECTRICAL.....	4-5
CHASSIS	6-7
DRIVE.....	8-9
ENGINE.....	10-11
STEERING	12-13
MOWER DECK	14-15
MOWER LIFT.....	16
SEAT	17
DECALS.....	18
ENGINE BREAKDOWN.....	19-23
TRANSAXLE BREAKDOWN	24-25
WARRANTY.....	27
SEARS SERVICE	28

TRACTOR - - MODEL NUMBER 944.602680

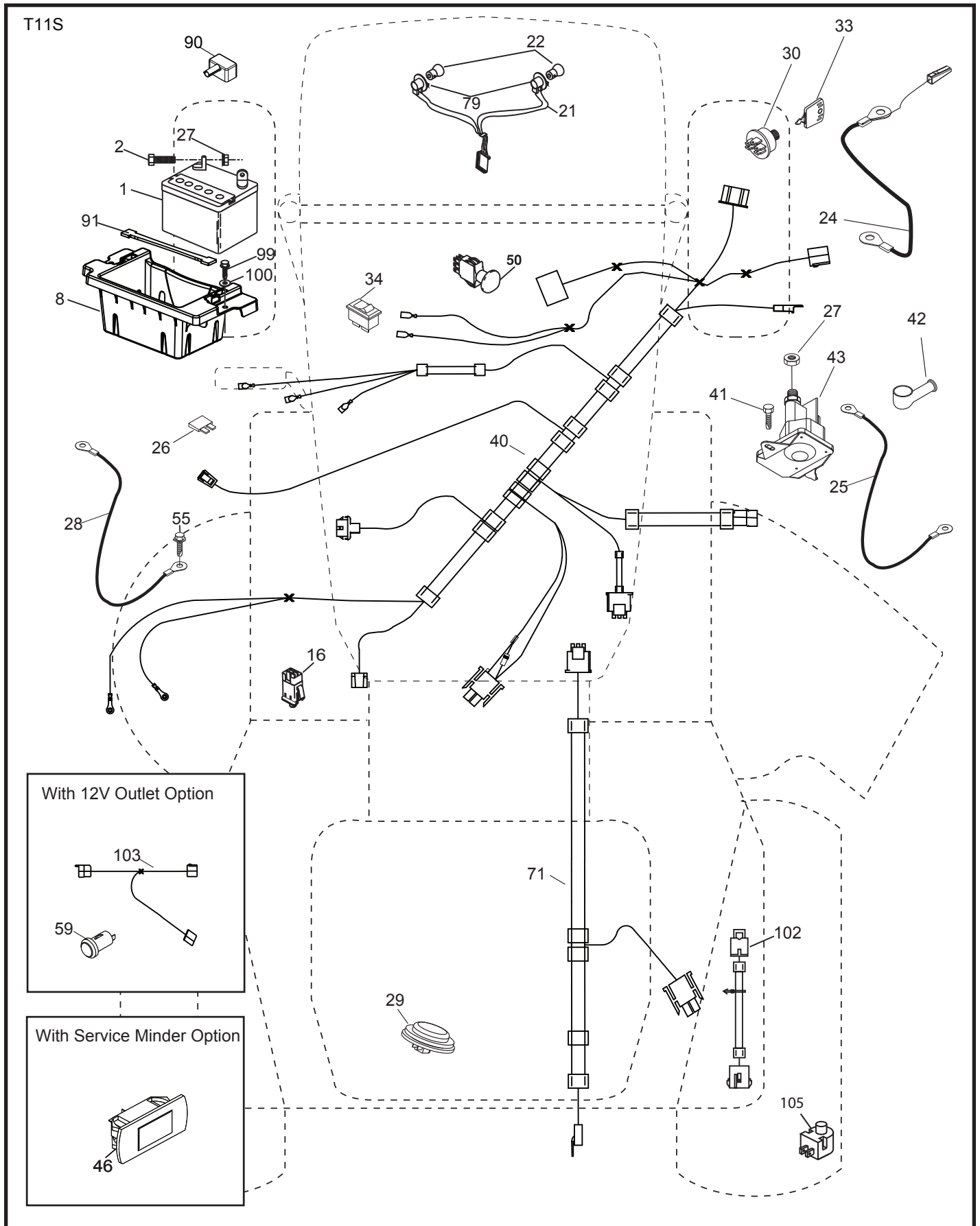
SCHEMATIC

SCH12



TRACTOR - - MODEL NUMBER 944.602680

ELECTRICAL



TRACTOR - - MODEL NUMBER 944.602680

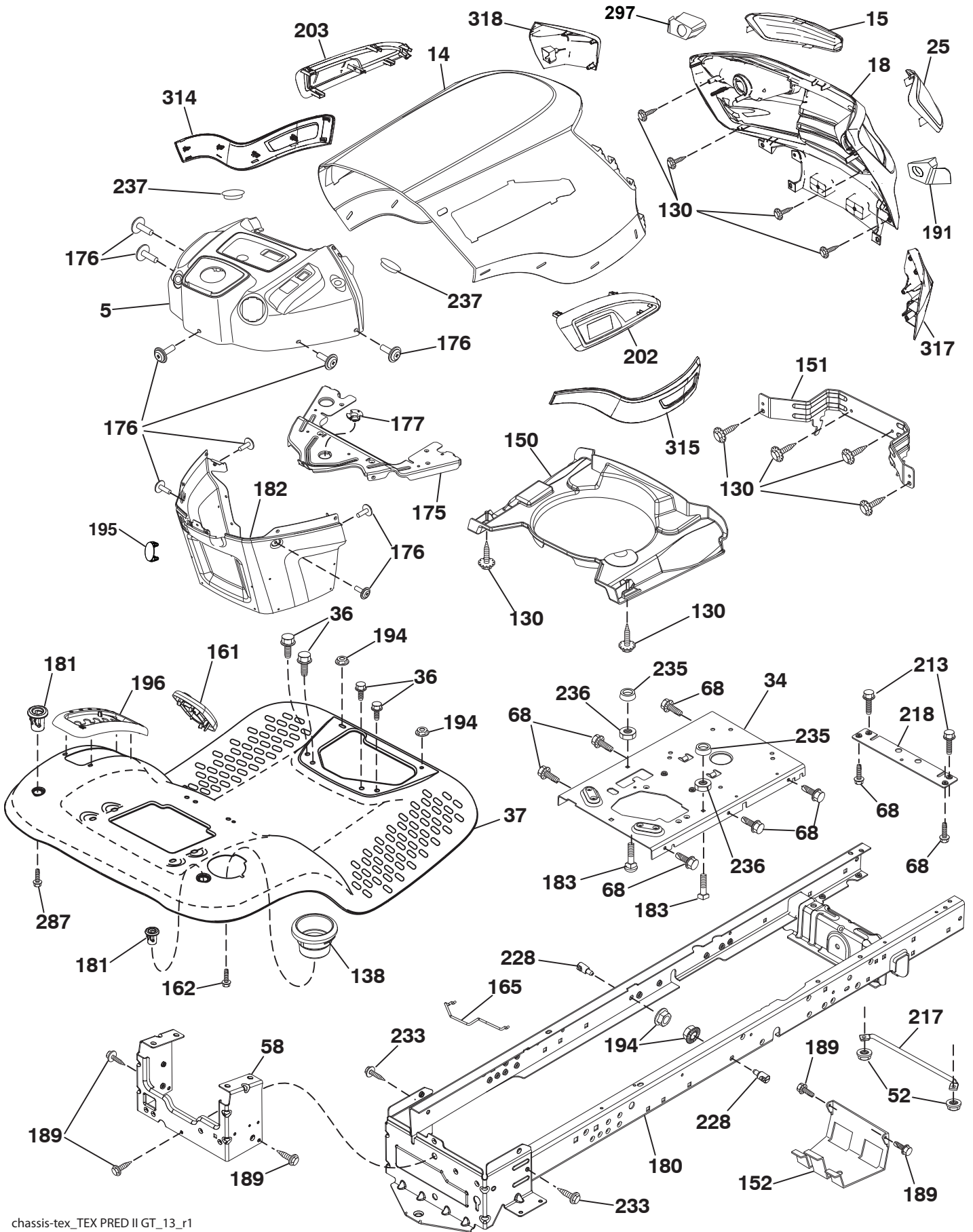
ELECTRICAL

KEY NO.	PART NO.	DESCRIPTION
1	163465	Battery
2	74760412	Bolt Hex Hd. 1/4-20 unc x 3/4
8	186491	Box Battery
16	176138	Switch Interlock Push-In
21	400252	Harness Socket Light w/4152J
22	4152J	Bulb Light
24	400253	Cable Battery
25	412895	Cable Starter
26	175158	Fuse
27	73510400	Nut Keps Hex 1/4-20 unc
28	145491	Cable, Ground
29	401545	Switch, Seat
30	193350	Switch, Ign.
33	411934	Key/Chain
34	110712X	Switch Light/Reset
40	401104	Harness Ign. Dash/Lift
41	17720408	Screw Thd. Cut 1/4-20 x 1/2
42	131563	Cover, Terminal
43	192507	Solenoid
46	401763	Gauge Hourmeter
50	174652	Switch PTO
55	17060512	Screw Thdrol. 5/16-18 x 3/4 TYTT
71	194276	Harness Ign. Chassis/Lift
79	175242	Socket Asm. Bulb Twistlock
90	435395	Cover Terminal Battery
91	190270	Strap Battery Mount Front
99	17670412	Screw Hexwsh. Thdrol. 1/4-20 x 3/4
100	19091416	Washer 9/32 x 7/8 x 16 Ga.
102	404454	Harness Pigtail Tex ROS Tufftorq
105	407568	Switch Reverse TT Pedal Control

NOTE: All component dimensions given in U.S. inches
1 inch = 25.4 mm

TRACTOR - - MODEL NUMBER 944.602680

CHASSIS



TRACTOR - - MODEL NUMBER 944.602680

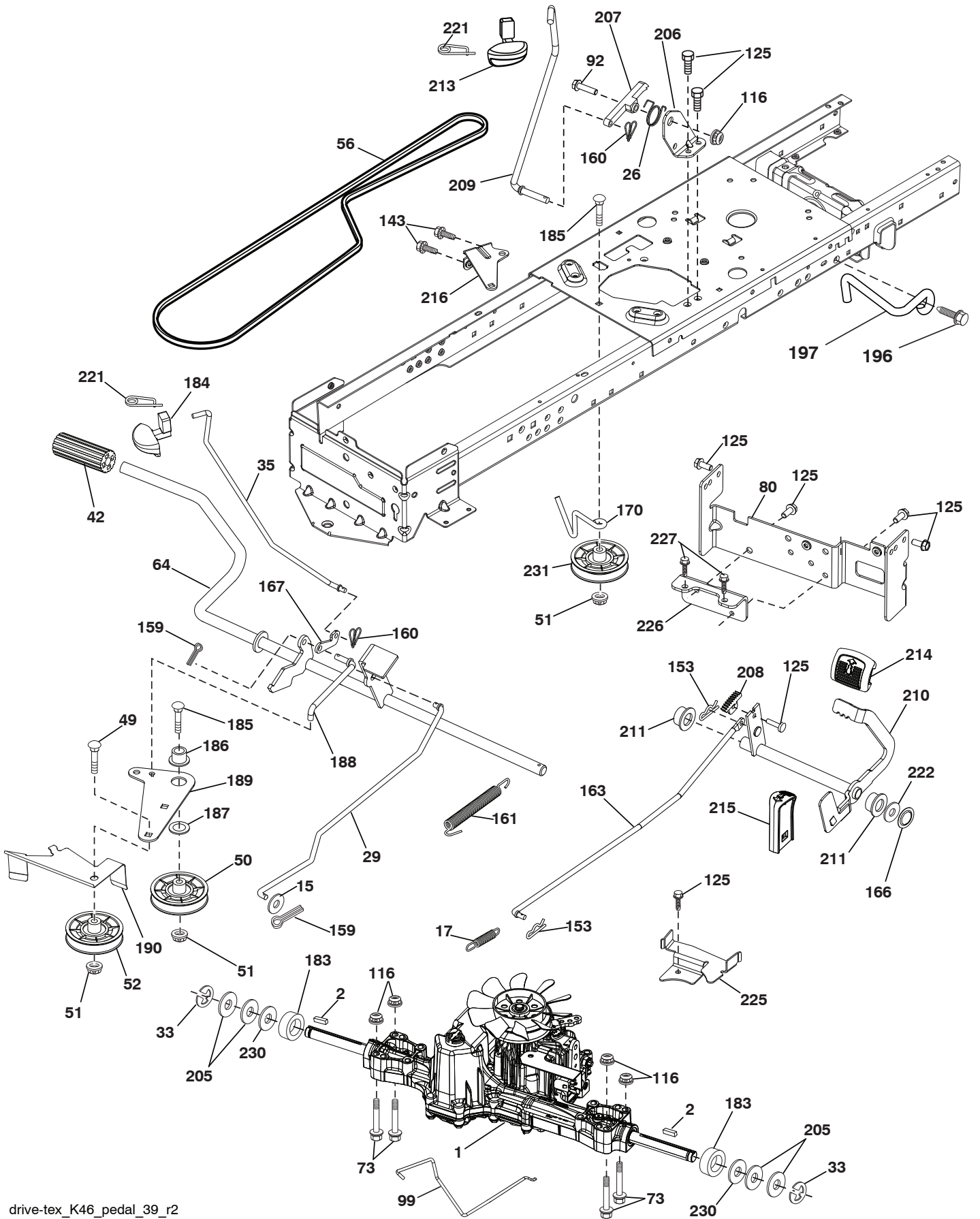
CHASSIS

KEY NO.	PART NO.	DESCRIPTION
5	424927X428	Dash
14	421154X428	Hood
15	421493X599	Lens LH
18	441721X428	Grille
25	421494X599	Lens RH
34	447253	Plate engine
36	17060512	Screw 5/16-18 x 3/4
37	414878X428	Fender
52	73680500	Nut Crown lock 5/16-18
58	412280	Drawbar Upper
68	17490508	Screw Thdrol 5/16-18 x 1/2
130	416358	Screw # 10 x .750 BOS Thread
138	193224X428	Cupholder
150	199411	Duct Heat Hood
151	445494	Bracket Pivot
152	199535	Shield Browning/Debris
161	193229X428	Window Fuel
162	142432	Screw Hex Wsh Hi-Lo 1/4 x 1/2
165	196826	Support Tank Rear
175	196304	Crossmember
176	400776	Screw 10-24 x 5/8 Wshd Qdrx
177	195227	Bushing Steering
180	415063	Chassis
181	193102X428	Bushing Mtg. Fender Crgo.
182	406859	Dash Lower
183	74520520	Bolt Full Thread 5/16-18 x 1-1/4
189	17000512	Screw 5/16 - 18 x 3/4
191	425407	Insert Reflective RH
194	73900500	Nut Lock Hex Flange 5/16-18
195	401556X428	Plug Hole Dash 12V Adapter
196	431658	Console Asm. Deck Lift
202	441726X428	Vent Side Hood RH
203	441727X428	Vent Side Hood LH
213	74760512	Bolt hex HD 5/16-18 unc x 3/4
217	409167	Rod Pivot Chassis
218	196395	X piece hood stop
228	195161	Stud Fastener
233	196539	Bolt Shoulder
235	406129	Spacer Fender
236	73930500	Nut Center Lock 5/16-18
237	403704	Plug Mount Cargo
287	17600406	Screw Hex Washhead 1/4-20 x 3/8
297	425406	Insert Reflective LH
314	441674	Trim Side LH
315	441673	Trim Side RH
317	421257X428	Bumper Pred II GT Pro Corner RH
318	421258X428	Bumper Pred II GT Pro Corner LH

NOTE: All component dimensions given in U.S. inches
1 inch = 25.4 mm

TRACTOR - - MODEL NUMBER 944.602680

DRIVE



TRACTOR - - MODEL NUMBER 944.602680

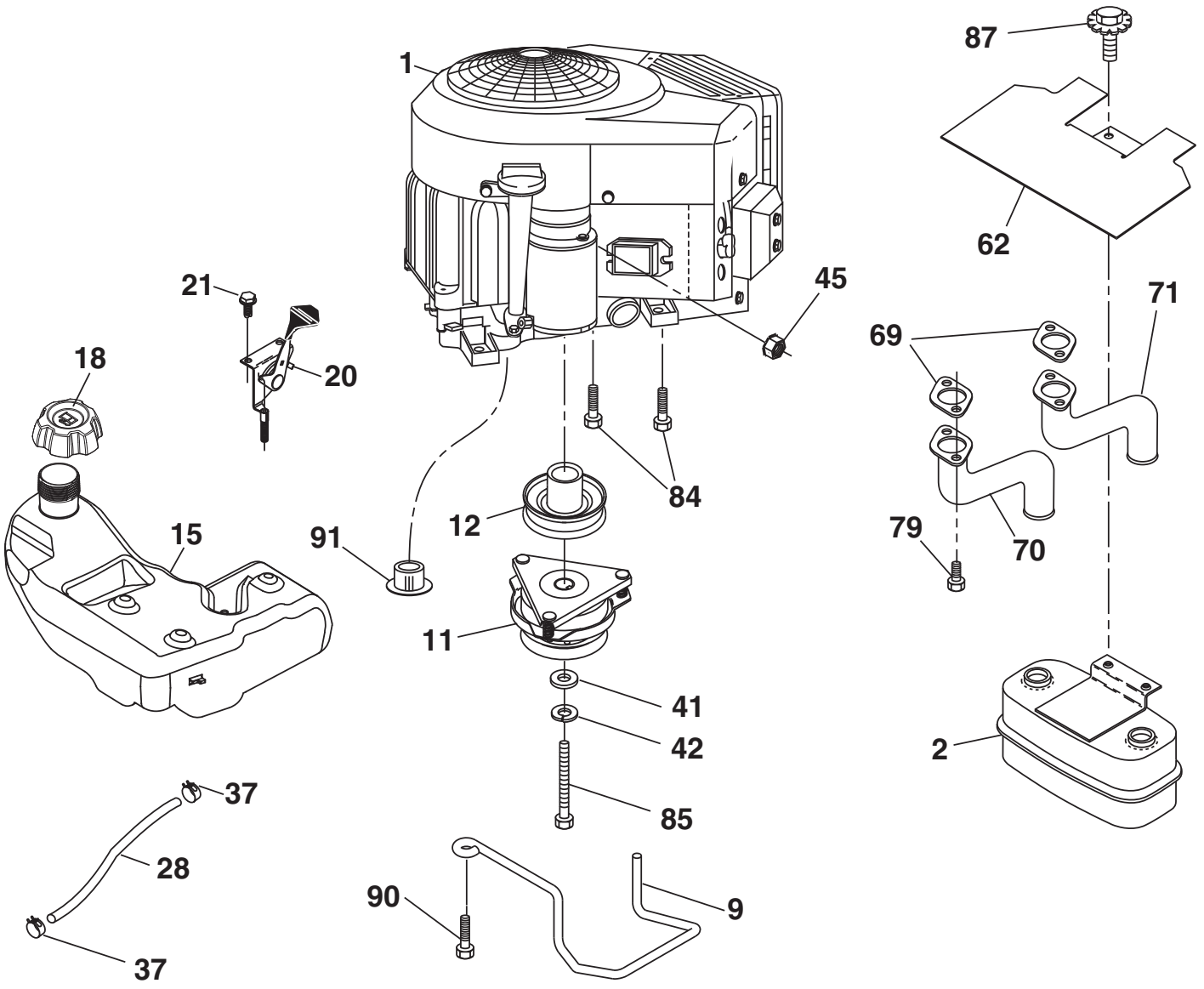
DRIVE

KEY NO.	PART NO.	DESCRIPTION	KEY NO.	PART NO.	DESCRIPTION
1	---	Transaxle, TUFFTORQ K46 BT (426120) (See Transaxle Breakdown.)	183	137057	Spacer Split
2	123583X	Key	184	196439X667	Handle Parking Brake
15	19131316	Washer 13/32 x 13/16 x 16 Ga.	185	72110622	Bolt 3/8-16 x 2-3/4 Gr. 5
17	413678	Spring, Brake	186	194321	Spacer Retainer
26	199679	Spring Return Cruise	187	19133210	Washer
29	403806	Rod, Brake	188	194323	Link Clutch Ground Drive
33	12000001	Ring E	189	194317	Bellcrank Ground Drive
35	435486	Rod, Brake, Park	190	194318	Keeper Bellcrank Ground Drive
42	8883R	Cover, Foot Pedal	196	17000616	Screw 3/8-16 x 1
49	72110614	Bolt	197	195804	Bracket Clutch Anti-Rotation
50	194327	Pulley Idler Flat	205	121748X	Washer
51	73900600	Lock Nut 3/8-16	206	197867	Bracket Mount Latch Cruise
52	194326	Idler V-Groove	207	197868	Latch Control Cruise
56	130969	V-Belt, Drive	208	197869	Gear Sector Control Cruise
64	197865	Shaft Asm. Pedal Brake Control	209	199592	Rod Control Cruise
73	74490540	Bolt 5/16-18 x 4.5 Gr. 5	210	400980	Rocker Asm. Pedal Control
80	440619	Strap Torque	211	120183X	Bearing Nylon
92	74760520	Bolt Fin Hex 5/16-18 unc x 1.25	213	196441X428	Knob Control Cruise
99	415742	Rod Spring Bypass	214	421263	Pedal Forward
116	73900500	Nut Lock Hex Flange 5/16-18	215	197301X428	Pedal Reverse
125	17000512	Screw 5/16-18 x 3/4	216	196131	Bracket Pulley Idler
143	17490508	Screw 5/16-18 x 1/2	221	403187	Retainer Spring Clip Handle
153	4497H	Retainer Spring	222	79212010	Washer 21/32 x 1-1/4 x 10 Ga.
159	76020412	Pin Cotter 1/8 x 3/4	225	403319	Keeper Belt Trans.
160	169484	Retainer Clip	226	401564	Bracket Mount Torque
161	105709X	Spring, Return, Clutch	227	17490512	Screw Thdrol 5/16-18 x 3/4
163	401034	Rod Pedal Control	230	188967	Washer
166	429164	Nut Push .625	231	407287	Idler V-Groove Pulley
167	405257	Latch Brake Parking			
170	413430	Keeper Belt Centerspan			

NOTE: All component dimensions given in U.S. inches
1 inch = 25.4 mm

TRACTOR - - MODEL NUMBER 944.602680

ENGINE



SPARK ARRESTER KIT

engine-tex_bs-2cyl_39

TRACTOR - - MODEL NUMBER 944.602680

ENGINE

KEY NO.	PART NO.	DESCRIPTION
1	— — — —	Engine B&S Model No. 445877-0140-G5 (448603) (See engine breakdown.)
2	149723	Muffler
9	194320	Keeper Belt Engine
11	400008	Clutch Electric
12	405097	Pulley Engine
15	438080	Tank Fuel
18	430214	Cap Asm. Fuel
20	421473X428	Control Throttle
21	416358	Screw #10 x 0.750 BOS Thread
28	401135	Fuel Line
29	137180	Spark Arrester Kit
37	123487X	Clamp Hose
41	126197X	Washer 1-1/2 OD x 15/32 TD x.250
42	10040700	Washer Lock 7/16
45	73510400	Nut Keps Hex 1/4-20
62	434017	Shield Heat Muffler
69	165391	Gasket Muffler
70	159955	Pipe Exhaust LH
71	160589	Pipe Exhaust RH
79	183906	Screw Socket Head 5/16-18 x 1
84	17060620	Screw 3/8-16 x 1-1/4
85	173937	Bolt Hex 7/16-20 x Gr. 5-1.5 THR
87	171877	Bolt 5/16-18 unc x 3/4 w/Sems.
90	17000616	Screw 3/8-16 x 1.0
91	187495	Bushing 1.375 OD

NOTE: All component dimensions given in U.S. inches
1 inch = 25.4 mm

For engine service and replacement parts, call the toll free number for your engine manufacturer listed below:

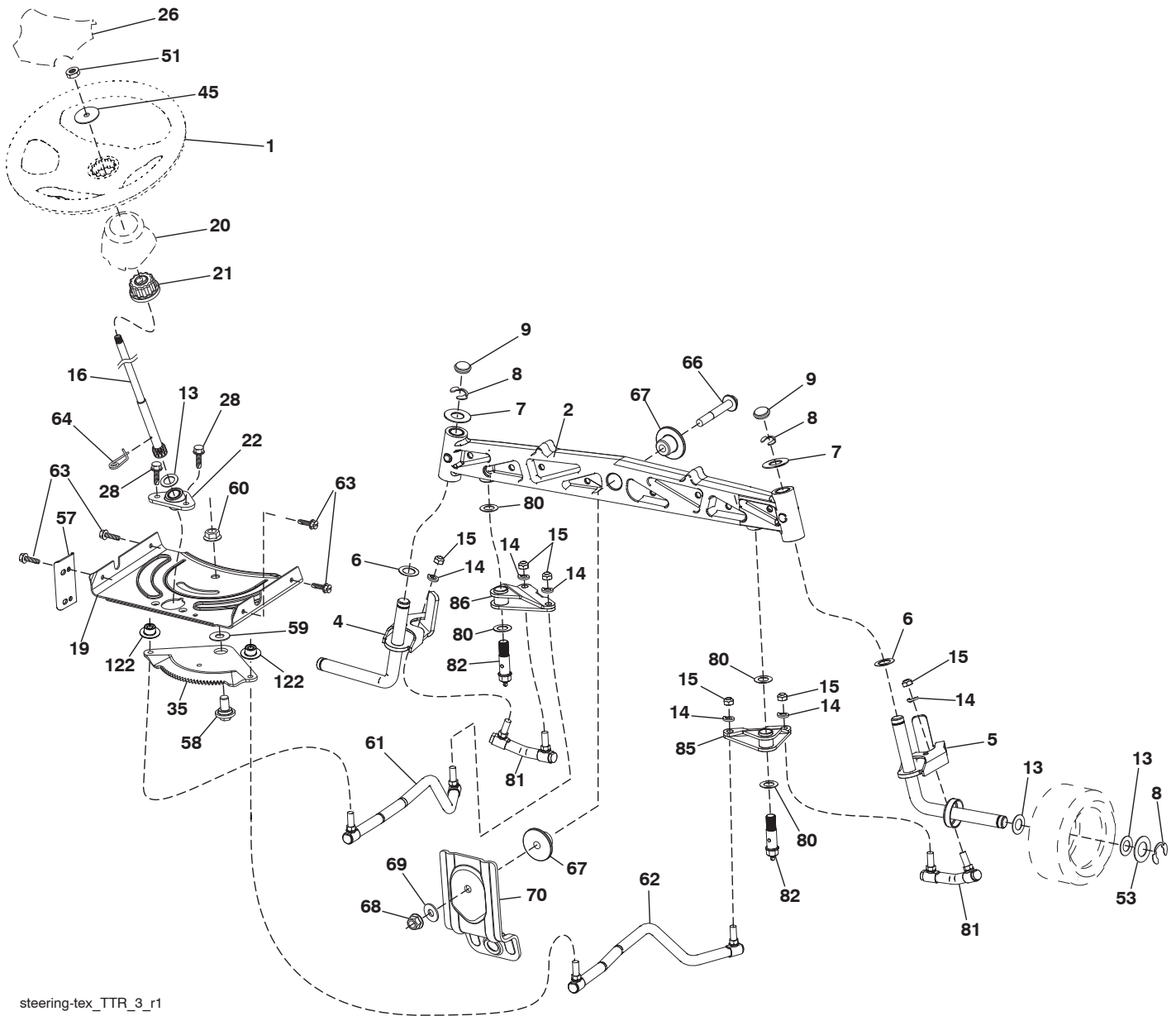
Briggs & Stratton 1-800-233-3723

Engine Power Rating Information

The gross power rating for individual gas engine models is labeled in accordance with SAE (Society of Automotive Engineers) code J1940 (Small Engine Power & Torque Rating Procedure), and rating performance has been obtained and corrected in accordance with SAE J1995 (Revision 2002-05). Torque values are derived at 3060 RPM; horsepower values are derived at 3600 RPM. Actual gross engine power will be lower and is affected by, among other things, ambient operating conditions and engine-to-engine variability. Given both the wide array of products on which engines are placed and the variety of environmental issues applicable to operating the equipment, the gas engine will not develop the rated gross power when used in a given piece of power equipment (actual "on-site" or net power). This difference is due to a variety of factors including, but not limited to, accessories (air cleaner, exhaust, charging, cooling, carburetor, fuel pump, etc.), application limitations, ambient operating conditions (temperature, humidity, altitude), and engine-to-engine variability. Due to manufacturing and capacity limitations, Briggs & Stratton may substitute an engine of higher rated power for this Series engine.

TRACTOR - - MODEL NUMBER 944.602680

STEERING ASSEMBLY



steering-tex_TTR_3_r1

TRACTOR - - MODEL NUMBER 944.602680

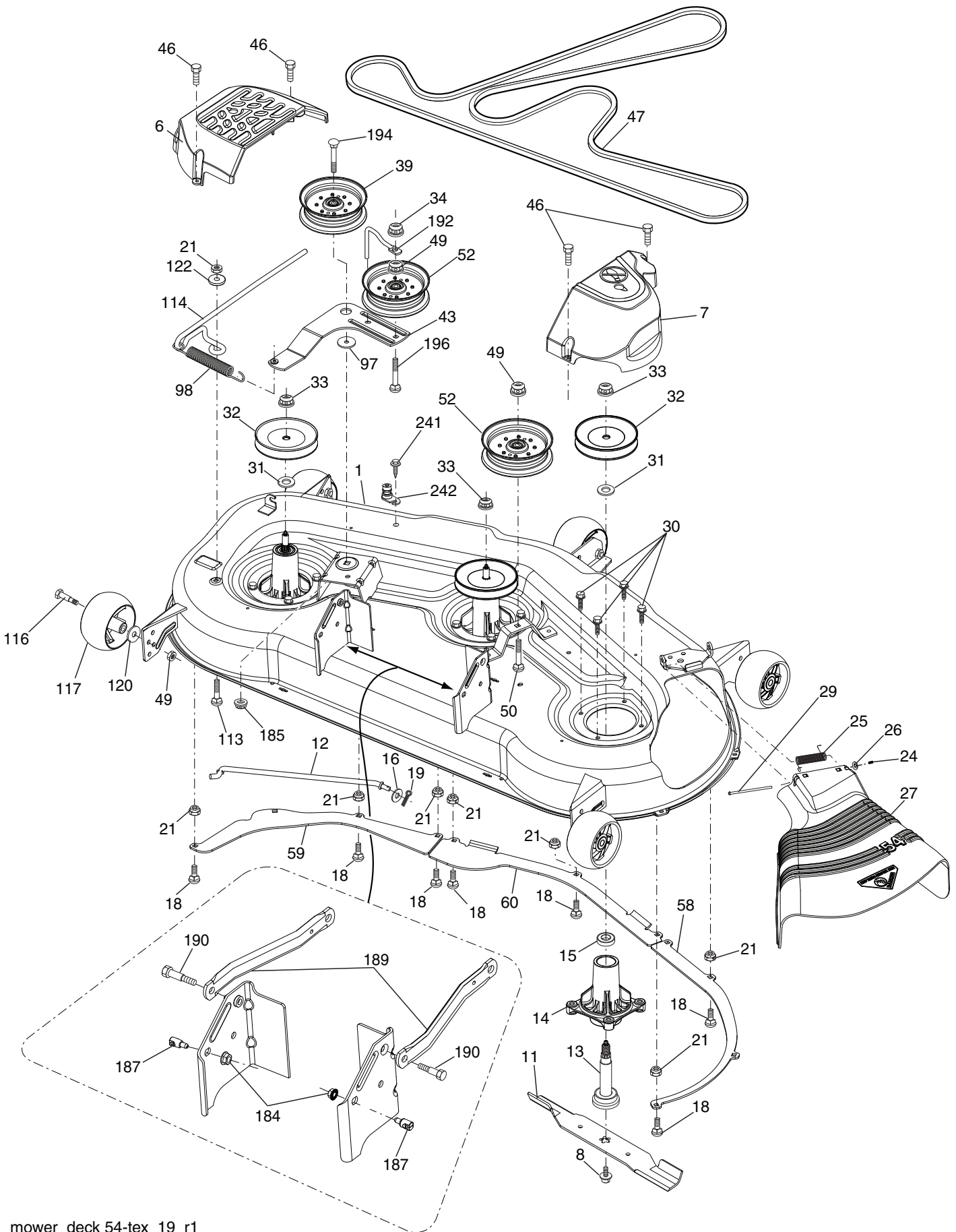
STEERING ASSEMBLY

KEY NO.	PART NO.	DESCRIPTION
1	414851X659	Wheel, Steering
2	436870	Axle Asm., Front
4	436873	Spindle Asm., LH
5	436874	Spindle Asm., RH
6	6266H	Bearing, Race Thrust Harden
7	121748X	Washer 25/32 x 1-5/8 x 16 Ga.
8	12000029	Ring, Clip #T5304-75
9	184946X667	Cap, Spindle
13	121749X	Washer 25/32 x 1-1/4 x 16 Ga.
14	10040600	Washer, Lock Hvy Hlcl Spr 3/8
15	73540600	Nut, Crown Lock 3/8-24 unf
16	440785	Shaft Steering
19	194729	Plate Steering
20	199676X428	Boot, Steering
21	437747	Adapter, Wheel Steering
22	194845	Supt., Strg. Lower
26	414852X659	Insert, Wheel Steering
28	17000612	Screw 3/8-16 x 3/4
35	440770	Gear, Sector Plate
45	19183812	Washer 9/16 x 2-3/8 x 12 Ga.
51	73940800	Nut Hex Jam Toplock 1/2-20 unf
53	188967	Washer Hardened .793 x 1.637 x .060
57	197246	Bracket Upstop
58	194747	Bolt Shoulder Sector Pivot CFM
59	194748	Washer Thrust Sector Steering
60	73971000	Nut Flange Lock 5/8-11
61	436884	Draglink, LH
62	436885	Draglink, RH
63	17000512	Screw 5/16-18 x 3/4
64	199849	Retainer Clip Spring Steering
66	71020748	Bolt Hex Fghd 7/16-14 x 3 Serr
67	194737	Bushing PM Front Axle
68	73900700	Nut Lock Flange 7/16-14 Gr. 5
69	199162	Washer 1.5 x .505 x .118
70	196197	Bracket Deck Susp. Front
80	1370H	Washer Thrust 5/8 x 1.10 x 1/32
81	436887	Link Cross
82	436 877	Pivot Bolt
85	441873	Pivot Weldment RH
86	441872	Pivot Weldment LH
122	444962	Cap Gear Sector Tex

NOTE: All component dimensions given in U.S. inches
1 inch = 25.4 mm

TRACTOR - - MODEL NUMBER 944.602680

MOWER DECK



mower_deck 54-tex_19_r1

TRACTOR - - MODEL NUMBER 944.602680

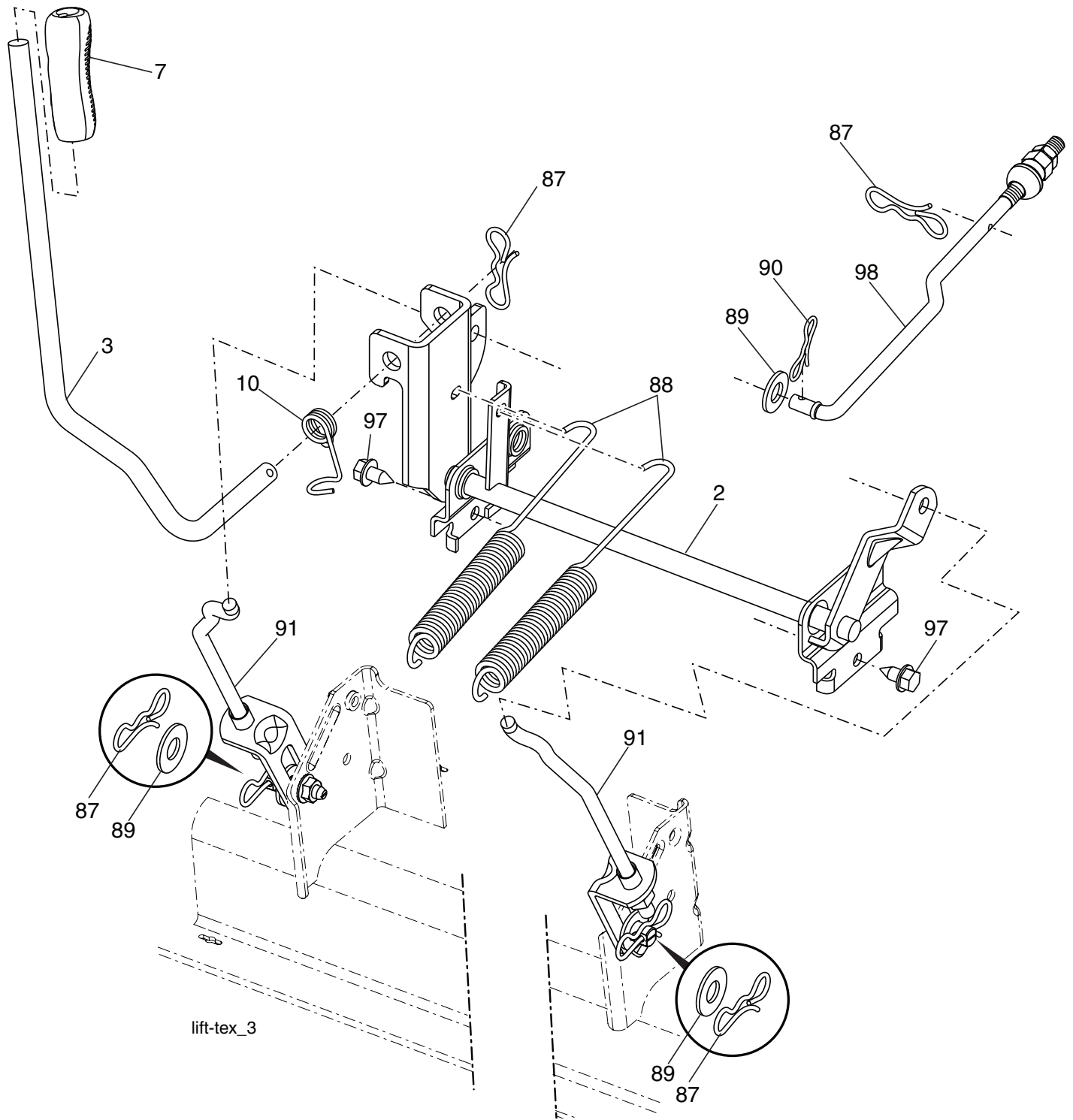
MOWER DECK

KEY NO.	PART NO.	DESCRIPTION	KEY NO.	PART NO.	DESCRIPTION
1	195632X613	Deck Weldment Mower	59	187344	Baffle Left
6	196066	Cover Mandrel LH	60	187607	Baffle Center
7	197181	Cover Mandrel RH	97	178515	Washer Hardened
8	193003	Bolt 7/16 Asm. Blade	98	196105	Spring Drive
11	187256	Blade Mulching	113	72110508	Bolt Rdhd. Sqnk. 5/16-18 x 3/4
12	404851	Rod Anti-Sway	114	187556	Rod Tension Relief
13	187291	Shaft Asm. w/Lower Bearing	116	193406	Bolt, Shoulder
14	187281	Housing, Mandrel	117	174873	Gauge Wheel
15	110485X	Bearing, Ball, Mandrel	120	19132012	Washer 13/32 x 1-1/4 x 12 Ga.
16	19131312	Washer 13/23 x 13/16 x 1 2 Ga.	122	187557	Bushing Tension Relief
18	72140505	Bolt RdHd. 5/16-18 unc x 5/8	184	73900500	Nut Lock Hex Flange 5/16-18
19	194208	Pin Cotter 5/16 Bowtie Lock	185	73900700	Nut Lock Flange 7/16-14 Gr. 5
21	73680500	Nut, Crownlock 5/16-18 unc	187	195161	Stud Fastener w/"D" Anti-Rotation
24	105304X	Cap Sleeve	189	195185	Arm Susp. Mower Rear
25	178102	Spring, Torsion	190	196539	Bolt Shoulder
26	110452X	Nut, Push	192	198468	Keeper Belt Idler
27	187257X428	Deflector Shield	194	74490736	Bolt Hex Wsh HD 7/16-24
29	131491	Rod, Hinge	196	72140620	Bolt Rdhd 3/8-16 x 2-1/2 Gr. 5
30	173984	Screw, Thdrol. Washer Head	241	152927	Screw
31	187690	Washer, Spacer Mower Vented	242	415598	Port Washout
32	153535	Pulley, Mandrel	--	187292	Mandrel Assembly (Includes housing, shaft assembly, and bearing only - pulley/nut/washer and blade bolt/washers not included)
33	400234	Nut, Flg. Top Lock			
34	73680600	Nut Crownlock 3/8-16 unc			
39	197380	Pulley, Idler			
43	196065	Arm, Idler	--	403349	Replacement Mower, Complete
46	137729	Screw, Thdrol. 1/4-20 x 5/8			
47	196103	Belt Drive Deck			
49	73900600	Nut, Lock Flg. 3/8-16 unc			
50	72110616	Bolt Rdhd. Sqnk. 3/8-16 unc x 2			
52	197379	Pulley Idler			
58	187342	Baffle Right			

NOTE: All component dimensions given in U.S. inches
1 inch = 25.4 mm

TRACTOR - - MODEL NUMBER 944.602680

MOWER LIFT



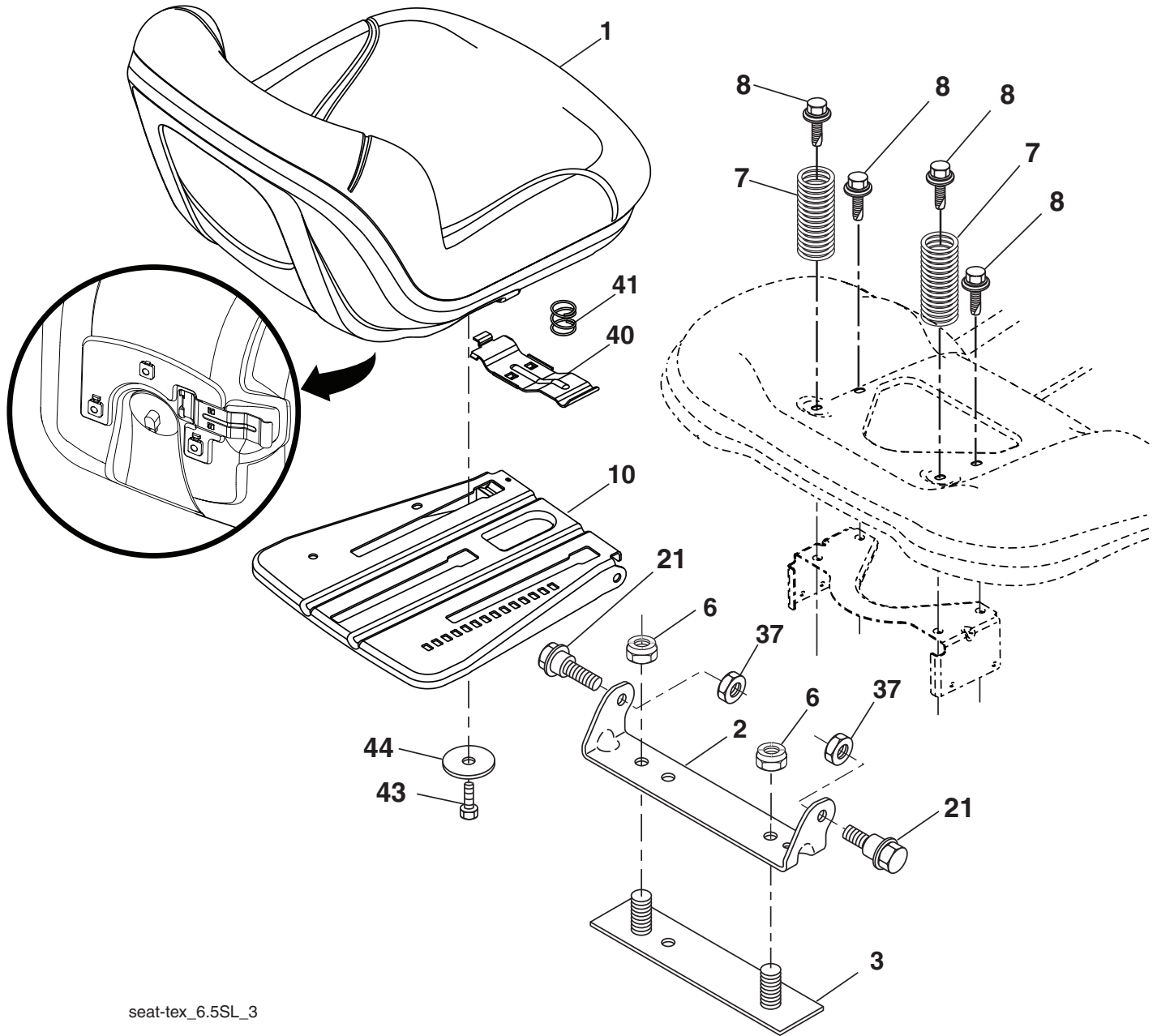
KEY NO.	PART NO.	DESCRIPTION
2	422027	Shaft Asm., Lift
3	426896	Lever Asm., Lift RH
7	196492X428	Grip, Lever
10	196314	Spring Torsion
87	194209	Pin Cotter 7/16 Bow Tie Lock
88	410710	Spring Lift Assist
89	19191912	Washer Clear Zinc

KEY NO.	PART NO.	DESCRIPTION
90	194208	Pin Cotter 5/16 Bow Tie Lock
91	403407	Link Lift Susp. Mower Rear
97	17000612	Screw 3/8-16 x .75 R.Z
98	195264	Link Lift Susp. Front Mower

NOTE: All component dimensions given in U.S. inches
1 inch = 25.4 mm

TRACTOR - - MODEL NUMBER 944.602680

SEAT ASSEMBLY



seat-tex_6.5SL_3

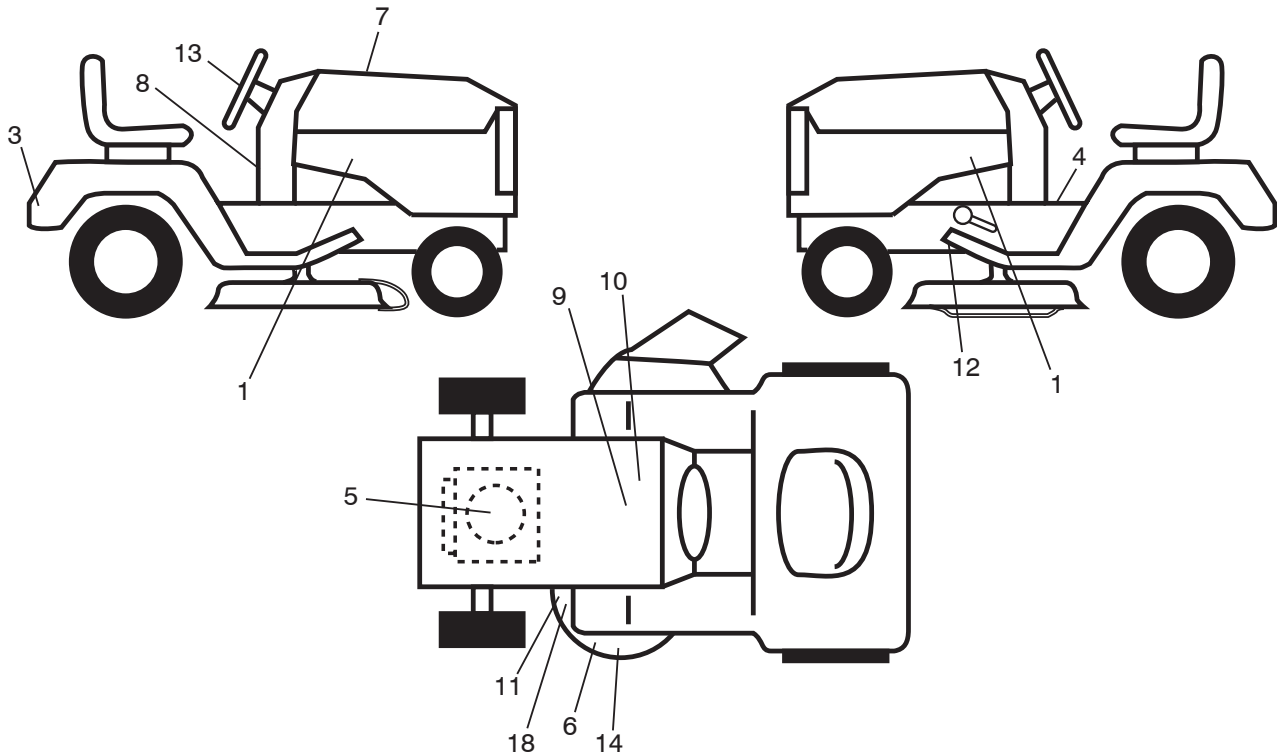
KEY NO.	PART NO.	DESCRIPTION
1	423646	Seat
2	180166	Bracket Pivot Fender
3	140675	Strap, Asm. Fender
6	73800600	Nut, Lock w/Ins. 3/8-16 unc
7	124181X	Spring, Seat Cprsn.
8	171877	Bolt 5/16-18 unc x 3/4 w/Sems.
10	196977	Pan, Seat
21	171852	Bolt, Shoulder 5/16-18

KEY NO.	PART NO.	DESCRIPTION
37	73800500	Nut, Lock 5/16-18 unc
40	197661	Handle Slide Seat
41	198200	Spring Latch Seat
43	74760612	Bolt 3/8-16 x 3/4
44	19133812	Washer 13/32 x 2-3/8 x 12 Ga.

NOTE: All component dimensions given in U.S. inches
1 inch = 25.4 mm

TRACTOR - - MODEL NUMBER 944.602680

DECALS

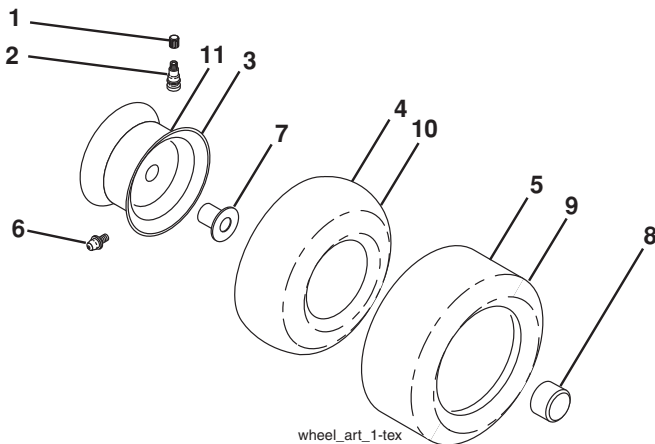


KEY PART NO.	PART NO.	DESCRIPTION
1	443183	Decal, Hood
3	441122	Decal, Fender
4	411658	Decal, Warning
5	440997	Decal, Engine
6	198785	Decal, B-Belt Schematic
7	580385801	Decal, RPL
8	435286	Decal, Warning
9	149517	Decal, Battery Warning
10	448709	Decal, Battery
11	178502	Decal, Mower Warning
12	421534	Decal, Mower V-Belt Schematic

KEY PART NO.	PART NO.	DESCRIPTION
13	439525	Decal, Steering Wheel
14	426593	Decal, Precision
18	170563	Decal, Mower Caution
--	166960	Decal, Bypass
--	193226X428	Pad, Footrest, LH
--	400981X428	Pad, Footrest, RH
--	580401724	Manual, Operator's (E/F)
--	580401824	Manual, Parts (E/F)

NOTE: All component dimensions given in U.S. inches
1 inch = 25.4 mm

WHEELS AND TIRES

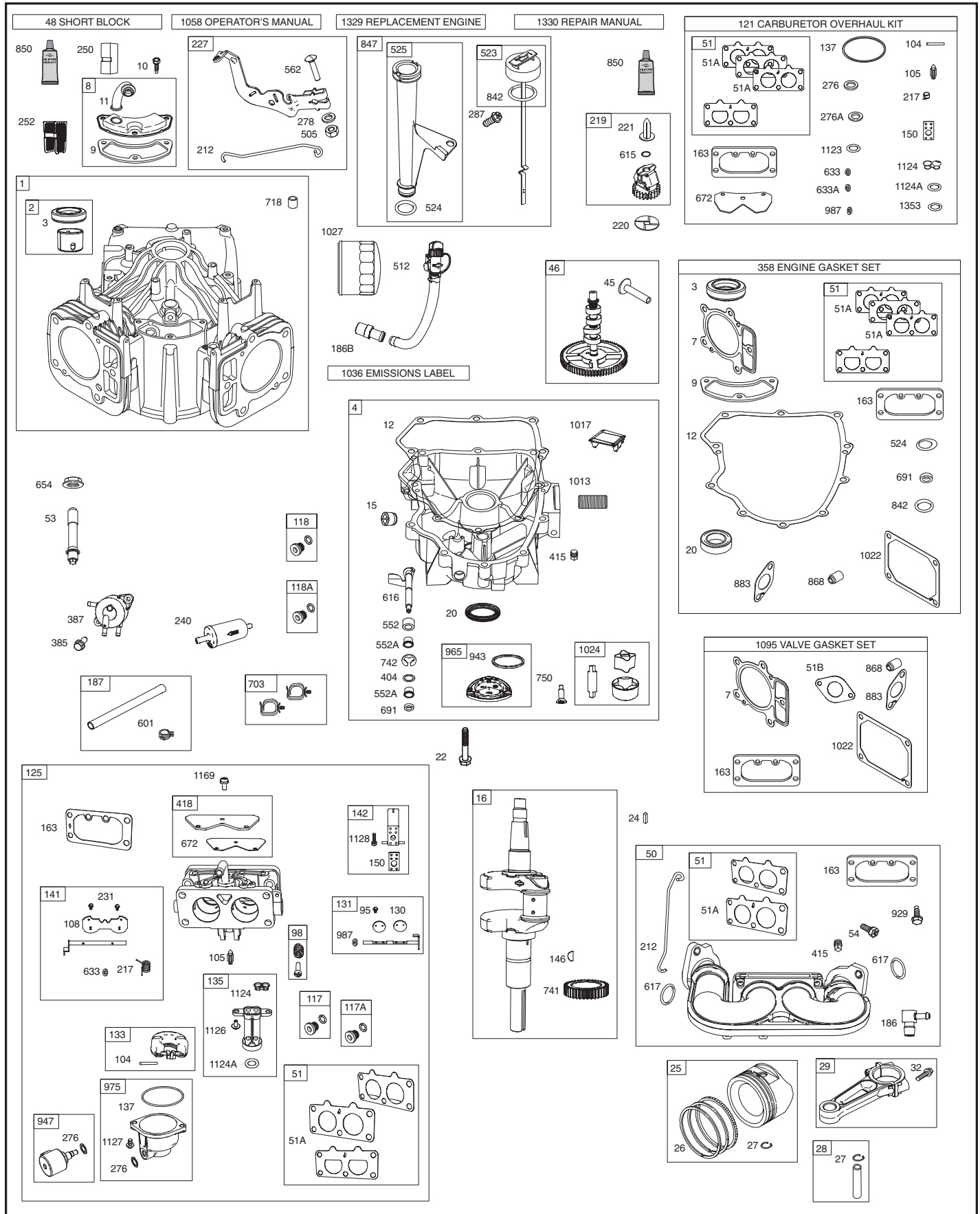


KEY PART NO.	PART NO.	DESCRIPTION
1	59192	Cap, Valve, Tire
2	65139	Stem, Valve
3	148736X613	Rim Assembly, Front
4	8134H	Tube, Front
5	106230X	Tire, Front
6	278H	Fitting, Grease
7	9040H	Bearing, Flange
8	104757X428	Cap, Axle (Front Wheel Only)
9	122082X	Tire, Rear
10	7152J	Tube, Rear
11	106108X613	Rim Assembly, Rear
--	144334	Sealant, Tire (10 oz. Tube)

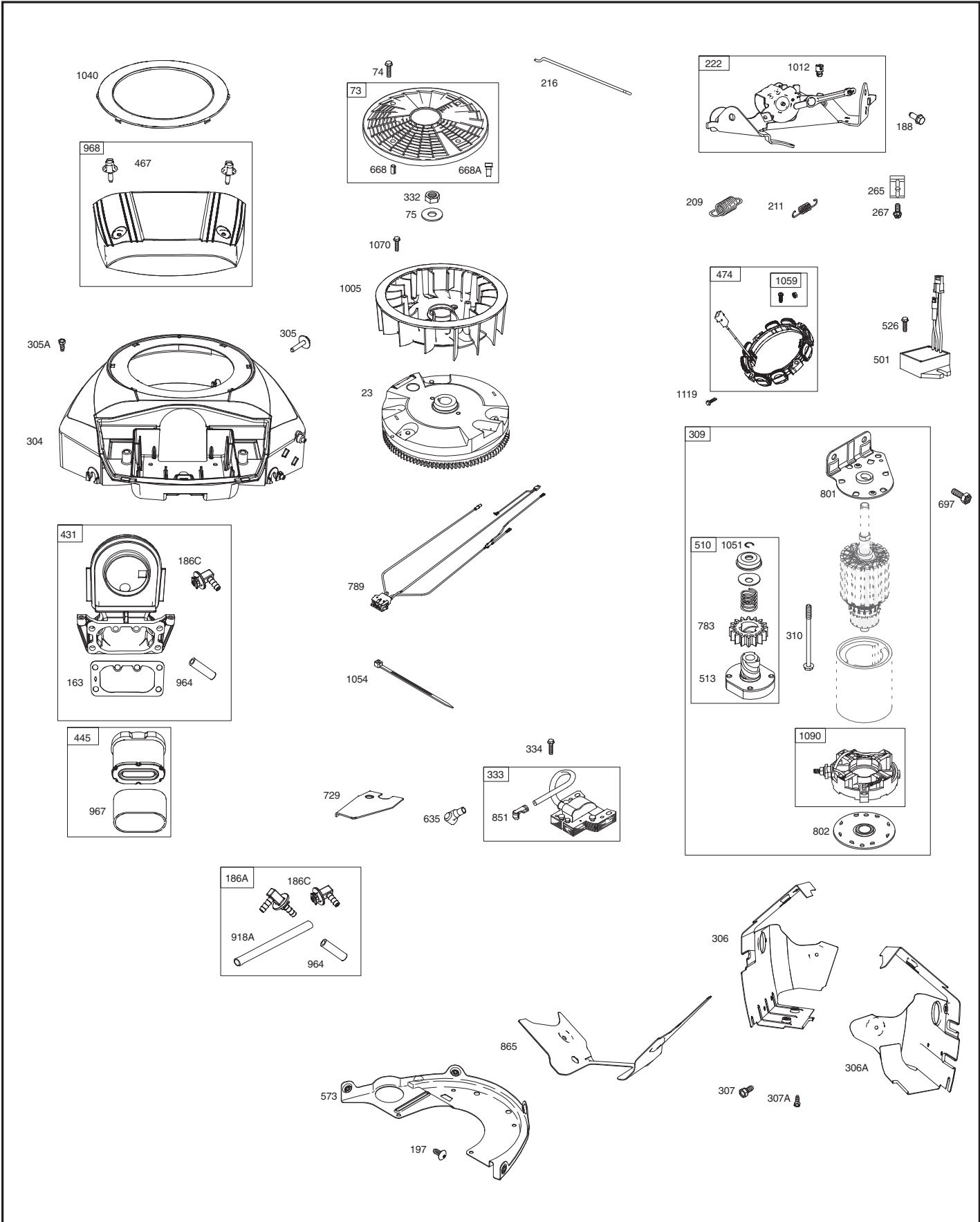
NOTE: All component dimensions given in U.S. inches
1 inch = 25.4 mm

TRACTOR - - MODEL NUMBER 944.602680

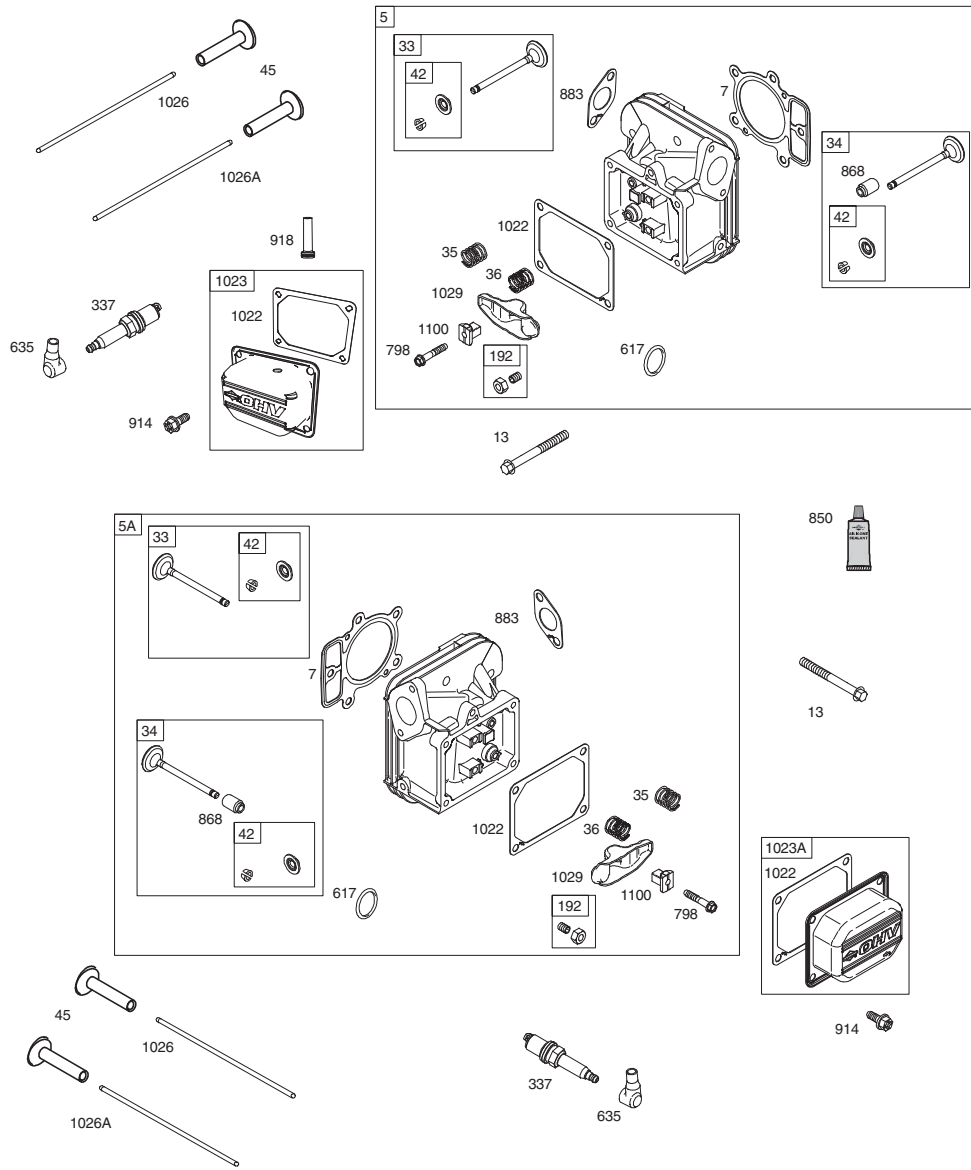
BRIGGS & STRATTON ENGINE - - MODEL NUMBER 445877, TYPE NUMBER 0140-G5



TRACTOR - - MODEL NUMBER 944.602680
BRIGGS & STRATTON ENGINE - - MODEL NUMBER 445877, TYPE NUMBER 0140-G5



TRACTOR - - MODEL NUMBER 944.602680
BRIGGS & STRATTON ENGINE - - MODEL NUMBER 445877, TYPE NUMBER 0140-G5



TRACTOR - - MODEL NUMBER 944.602680

BRIGGS & STRATTON ENGINE - - MODEL NUMBER 445877, TYPE NUMBER 0140-G5

KEY NO.	PART NO.	DESCRIPTION	KEY NO.	PART NO.	DESCRIPTION
1	793564	Cylinder Assembly	130	690993	Valve-Throttle
2	797673	Kit-Bushing/Seal (Magneto Side)	131	499805	Kit-Throttle Shaft
3	391086s	Seal-Oil (Magneto Side)	133	699724	Float-Carburetor
4	796307	Sump-Engine	135	699729	Tube-Fuel Transfer
5	799088	Head-Cylinder (Cylinder 1)	137	690994	Gasket-Float Bowl
5A	799089	Head-Cylinder (Cylinder 2)	141	796228	Kit-Choke Shaft
7	693997	Gasket-Cylinder Head	142	699726	Nozzle-Carburetor
8	792185	Breather Assembly	146	690979	Key-Timing
9	690937	Gasket-Breather	150	690995	Gasket-Nozzle
10	691108	Screw (Breather Assembly)	163	691001	Gasket-Air Cleaner
11	792184	Tube-Breather	186	795985	Connector-Hose (Intake Manifold)
12	697227	Gasket-Crankcase	186A	799158	Connector-Hose (EVAP System)
13	793988	Screw (Cylinder Head)	186B	796532	Connector-Hose (Oil Drain Hose)
15	690946	Plug-Oil Drain	186C	845141	Connector-Hose (EVAP System)
16	796237	Crankshaft	187	791766	Line-Fuel (Cut to Required Length)
20	795387	Seal-Oil (PTO Side)	188	691108	Screw (Control Bracket)
22	694966	Screw (Crankcase Cover/Sump)	192	690083	Adjuster-Rocker Arm
23	691053	Flywheel	197	697820	Screw (Back Plate)
24	222698s	Key-Flywheel (Aluminum)	209	798921	Spring-Governor (Orange)
25	793560	Piston Assembly (Standard)	211	691019	Spring-Governed Idle (No Color)
25	793563	Piston Assembly (.020" Oversize)	212	695238	Link-Throttle
26	796026	Ring Set (Standard)	216	796229	Link-Choke
26	792073	Ring Set (.020" Oversize)	217	799112	Spring-Choke Return
27	690975	Lock-Piston Pin	219	793338	Gear-Governor
28	696581	Pin-Piston	220	799772	Washer (Governor Gear)
29	796209	Rod-Connecting	221	841026	Cup-Governor
32	690976	Screw (Connecting Rod)	222	798915	Bracket-Control
33	793557	Valve-Exhaust	227	798856	Lever-Governor Control
34	793556	Valve-Intake	231	690718	Screw (Choke Valve)
35	694865	Spring-Valve (Intake)	240	695666	Filter-Fuel
36	694865	Spring-Valve (Exhaust)	250	690957	Retainer-Breather
42	499586	Keeper-Valve	252	794389	Collector-Oil
45	690977	Tappet-Valve	265	691024	Clamp-Casing
46	792555	Gear-Cam	267	792629	Screw (Casing Clamp)
48	698172	Short Block	276	695410	Washer-Sealing
50	695241	Manifold-Intake	276A	794271	Washer-Sealing
51	795123	Gasket-Intake	278	792651	Washer (Governor Control Lever)
51A	690950	Gasket-Intake	287	697820	Screw (Dipstick Tube)
51	690949	Gasket-Intake	304	799955	Housing-Blower
53	690951	Stud (Carburetor)	305	691005	Screw (Blower Housing) (1/4-20x.68)
54	699816	Screw (Intake Manifold)	305A	790690	Screw (Blower Housing to Intake Elbow)
73	494439	Screen-Rotating	306	798855	Shield-Cylinder (Cylinder 1)
74	698425	Screw (Rotating Screen)	306A	796852	Shield-Cylinder (Cylinder 2)
75	691056	Washer (Flywheel)	307	691108	Screw (Air Guide Cover) (1/4-20x.66)
95	690718	Screw (Throttle Valve)	307A	691003	Screw (Air Guide Cover) (10-24x.43)
98	699721	Kit-Idle Speed	309	497595	Motor-Starter
104	694918	Pin-Float Hinge	310	690323	Screw (Starter Motor)
105	797410	Valve-Float Needle	332	691059	Nut (Flywheel)
108	699723	Valve-Choke	333	799651	Armature-Magneto
117	792296	Jet-Main (Standard) (Left Jet)			
117A	842627	Jet-Main (Standard) (Right Jet)			
118	699457	Jet-Main (High Altitude) (Left Jet)			
118A	699733	Jet-Main (High Altitude) (Right Jet)			
121	797890	Kit-Carburetor Overhaul			
125	796227	Carburetor			

TRACTOR - - MODEL NUMBER 944.602680

BRIGGS & STRATTON ENGINE - - MODEL NUMBER 445877, TYPE NUMBER 0140-G5

KEY NO.	PART NO.	DESCRIPTION	KEY NO.	PART NO.	DESCRIPTION
334	691061	Screw (Magneto Armature)	883	690970	Gasket-Exhaust
337	793541	Plug-Spark	914	691127	Screw (Rocker Cover)
358	694012	Gasket Set-Engine	918	797408	Line-Vacuum (Rocker Cover)
385	797409	Screw (Fuel Pump)	918A	799160	Line-Vacuum (EVAP System)
387	808656	Pump-Fuel	929	695239	Screw (Choke Control Bracket)
404	690442	Washer (Governor Crank)	943	796222	Seal-O Ring (Oil Pump Cover)
415	794903	Plug (Oil Pressure Switch)	947	798779	Solenoid-Fuel
418	795912	Plate-Carburetor	964	799159	Cap-Connector
431	798860	Elbow-Intake	965	796221	Cover-Oil Pump
445	792105	Filter-Air Cleaner Cartridge	967	792303	Filter-Pre Cleaner
467	790697	Knob-Air Cleaner	968	795120	Cover-Air Cleaner
474	696458	Alternator	975	798778	Bowl-Float
501	797375	Regulator	987	691000	Seal-Throttle Shaft
505	691029	Nut (Governor Control Lever)	1005	791236	Fan-Flywheel
510	696541	Drive-Starter	1012	797926	Retainer-Link (Control Bracket)
512	796530	Hose-Oil Drain	1013	690954	Nipple-Oil Filter
513	692024	Clutch-Drive	1017	796214	Screen-Oil Pump
523	691036	Dipstick	1022	690971	Gasket-Rocker Cover
524	691032	Seal-Dipstick Tube	1023	793146	Cover-Rocker (Cylinder 1)
525	691037	Tube-Dipstick	1023A	499600	Cover-Rocker (Cylinder 2)
526	691108	Screw (Regulator)	1024	796220	Pump-Oil
552	796638	Bushing-Governor Crank	1026	690981	Rod-Push (Exhaust) (Steel)
552A	690553	Bushing-Governor Crank	1026A	690982	Rod-Push (Intake) (Aluminum)
562	690311	Screw (Governor Control Lever)	1027	795890	Filter-Oil
573	790444	Plate-Back	1029	690972	Arm-Rocker
601	691038	Clamp-Hose (Black)	1036		Label-Emissions (Available from a Briggs & Stratton Authorized Dealer)
615	698290	Retainer-Governor Shaft	1040	791237	Plate-Trim
616	691045	Crank-Governor	1051	691265	Ring-Retaining (Starter Drive)
617	697891	Seal-O Ring (Intake Manifold) (Red)	1054	280275	Tie-Cable
633	699813	Seal-Choke/Throttle Shaft (Choke Shaft)	1058	277103TRI	Operator's Manual
633A	690998	Seal-Choke/Throttle Shaft	1059	698516	Kit-Screw/Washer (Alternator)
635	66538s	Boot-Spark Plug	1070	791680	Screw (Flywheel Fan)
654	690958	Nut (Carburetor)	1090	691293	Retainer-Brush
668	691215	Spacer (Rotating Screen)	1095	694013	Gasket Set-Valve
668A	691500	Spacer (Rotating Screen)	1100	791959	Pivot-Rocker Arm
672	690234	Gasket-Carburetor Plate	1119	691183	Screw (Alternator)
691	790574	Seal-Governor Shaft	1124	690988	Seal-O Ring (Fuel Transfer Tube)
697	791680	Screw (Drive Cap)	1124A	841653	Seal-O Ring (Fuel Transfer Tube)
703	691010	Clip	1126	690991	Screw (Fuel Transfer Tube)
718	690959	Pin-Locating	1127	695407	Screw (Fuel Bowl)
729	797454	Clip-Wire	1128	690990	Screw (Carburetor Nozzle)
741	690980	Gear-Timing	1169	690990	Screw (Carburetor Plate)
742	690328	Retainer-E Ring (Governor Crank)	1329	44Q777	Replacement Engine
750	796208	Screw (Oil Pump Cover)	1330	273521	Repair Manual
783	695708	Gear-Pinion		-3137-G5	
789	797424	Harness-Wiring			
798	697890	Screw (Rocker Arm)			
801	691283	Cap-Drive			
802	691286	Cap-End			
842	691031	Seal-O Ring (Dipstick Tube)			
847	499602	Dipstick/Tube Assembly			
850	100106	Sealant-Liquid (Rocker Cover Gasket and Breather Gasket)			
851	493880s	Terminal-Spark Plug			
865	792286	Cover-Air Guide (Valley)			
868	690968	Seal-Valve			

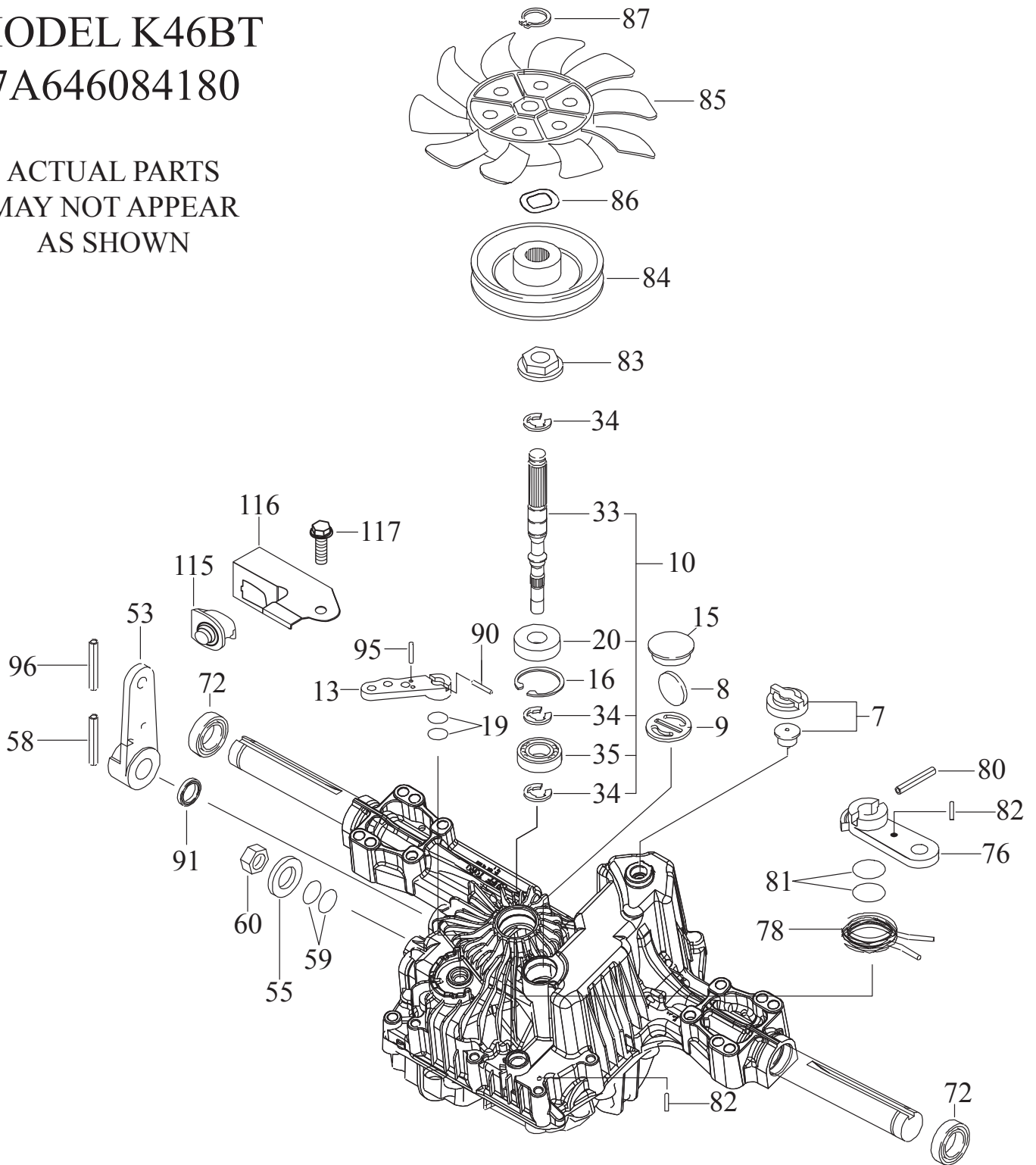
Carburetor Overhaul Kit Key No. 121
 Engine Gasket Set Key No. 358
 Valve Gasket Set Key No. 1095

NOTE: All component dimensions given in U.S. inches
 1 inch = 25.4 mm

TRACTOR - - MODEL NUMBER 944.602680
TUFFTORQ TRANSAXLE - - MODEL NUMBER K46BT

MODEL K46BT
7A646084180

ACTUAL PARTS
MAY NOT APPEAR
AS SHOWN



TRACTOR - - MODEL NUMBER 944.602680
TUFFTORQ TRANSAXLE - - MODEL NUMBER K46BT

KEY NO.	PART NO.	DESCRIPTION
7	414395	VENT VALVE 15
8	414396	MAGNET
9	414397	MAGNET HOLDER
10	415923	PUMP SHAFT/BEARING KIT
13	414398	BYPASS LEVER
15	414399	SEALING CAP 30
16	414400	SNAP RING C 35
19	414401	O-RING 1A P10A
20	414402	SEAL TC 153507
33	414403	PUMP SHAFT (STANDARD)
34	414404	E-RING 15
35	414405	BEARING 6202C3
53	414431	CONTROL LEVER F
55	415924	WASHER 12
58	415925	ROLL PIN 6 * 40
59	415926	O-RING 1A P14
60	415927	NUT 12
72	414407	SEAL 19 * 32 * 8
76	414408	BRAKE LEVER
78	414409	BRAKE RETURN SPRING
80	414410	SPRING PIN 5 * 32
81	414411	O-RING 1A P12
82	414412	SPRING PIN 4 * 16
83	414413	SPINE COLLAR
84	414414	PULLEY L
85	414415	FAN, BLACK
86	414416	WAVE WASHER
87	414417	SNAP RING
90	414418	SPRING PIN 3.0A * 20
91	414419	OIL SEAL 16 * 22 *.03
95	414850	SPRING PIN 3.0A*16
96	414420	ROLL PIN 3.5 * 40
115	415928	SWITCH 6440-11 DELTA
116	415929	SWITCH BRACKET
117	415930	TAPPING SCREW 8 * 20

NOTE: All component dimensions given in U.S. inches.
1 inch = 25.4 mm

SERVICE NOTES

GENERAL: Craftsman products are warranted to be free from defects in materials or workmanship for a specific time period as set-out below (the "Warranty Period"). Warranties extend to the original purchaser of a Craftsman product only. Purchases made through an online auction or through any website other than www.sears.ca are excluded. The relevant Warranty Period commences on the original date of purchase. Within this period, SEARS CANADA, Inc. will, at its sole option, repair or replace any products or components which fail in normal use. Such repairs or replacement will be made at no charge to the customer for parts or labor, provided that the customer shall be responsible for any transportation cost.

EXCLUSIONS: This warranty does not cover failures due to normal wear, abuse, misuse, neglect (including but not limited to the use of stale fuel, dirt, abrasives, moisture, rust, corrosion, or any adverse reaction due to improper storage or use habits), improper maintenance or failure to follow maintenance guidelines and/or instructions, failure to operate the product in accordance with the owner's manual or any additional instructions or information provided at the time of purchase or in subsequent communications with the original purchaser, accident or unauthorized alterations or repairs made or attempted by others. Also excluded from warranty coverage - except as provided below - are the following: maintenance, adjustments, components subject to wear including but not limited to: cosmetic components, belts, blades, blade adapters, bulbs, tires, filters, guide bars, lubricants, seats, grips, recoil assy's, saw chains and bars, trimmer lines and spools, spark plugs, starter ropers and tines, and discoloration resulting from ultraviolet light. Any product missing the model and/or serial number identification label will be disqualified from coverage under this warranty.

REPAIRS: Repairs have a 90 day warranty. If the defective product is still within the Warranty Period, then the new warranty is 90 days from the date of repair or to the end of the original Warranty Period, whichever period is longer.

DISCLAIMERS: THE WARRANTIES AND REMEDIES CONTAINED HEREIN ARE EXCLUSIVE AND IN LIEU OF ALL OTHER WARRANTIES, WHETHER ORAL OR WRITTEN (OTHER THAN AS STATED HEREIN), AND WHETHER EXPRESS, IMPLIED OR STATUTORY, INCLUDING BUT NOT LIMITED TO ANY. THIS WARRANTY GIVES YOU SPECIFIC LEGAL RIGHTS, WHICH MAY VARY FROM PROVINCE TO PROVINCE.

IN NO EVENT SHALL SEARS BE LIABLE FOR ANY INCIDENTAL, SPECIAL, INDIRECT OR CONSEQUENTIAL DAMAGES, WHETHER RESULTING FROM THE USE, MISUSE OR INABILITY TO USE THE PRODUCT OR FROM DEFECTS IN THE PRODUCT. THE EXCLUSIONS IN THIS PARAGRAPH SHALL NOT APPLY IN JURISDICTIONS WHERE APPLICABLE LAW DOES NOT ALLOW FOR THE EXCLUSION OF INCIDENTAL OR CONSEQUENTIAL DAMAGES. IN SUCH JURISDICTIONS, THIS PARAGRAPH SHALL NOT APPLY, BUT THE REMAINING PROVISIONS OF THIS DOCUMENT SHALL REMAIN VALID.

SEARS retains the exclusive right to repair or replace the product or offer a full refund of the purchase price at its sole discretion. SUCH REMEDY SHALL BE YOUR SOLE AND EXCLUSIVE REMEDY FOR ANY BREACH OF WARRANTY.

CUSTOMER RESPONSIBILITIES: In addition to complying with all suggested maintenance guidelines and instructions, customers' obligations shall include but shall not be limited to: operating the product in accordance with the owner's manual or any additional instructions or information provided at the time of purchase or in subsequent communications to the purchaser from time to time, exhibit reasonable care in the use, operation, maintenance, general upkeep and storage of the product. Failure to comply with these requirements will void any applicable warranty.

LIST OF APPLICABLE WARRANTY PERIODS: The following list contains the applicable Warranty Period for your Craftsman product and is based on a combination of the type of product or component and the intended and actual use of the product or component:

1. **90 DAYS:** Craftsman products intended for use or actually used for commercial, institutional, professional or income-producing purposes
2. **2 YEARS:** Craftsman riding lawn mowers, yard and garden tractors, walk behind mowers, tillers, brush cutters, snow blowers, handheld blowers, backpack blowers, hedge trimmers and electrical products for noncommercial, nonprofessional, non-institutional, or non-income-producing use, except for those components which are part of engine systems manufactured by third party engine manufacturers for which the purchase has received a separate warranty with product information supplied at the time of purchase.
3. **1 YEAR:** Craftsman power cutters, stump grinders, pole pruners, gas chain saws, electric chain saws, trimmer attachments, baggers and pole saws for noncommercial, nonprofessional, non-institutional, or non-income-producing use.
4. **90 DAYS:** All defective batteries, which will be replaced during this 90-day Warranty Period.
5. **60 DAYS:** Additional Warranty Period of 60 days will apply to adjustments and worn products or components BUT DOES NOT INCLUDE WEAR OR ADJUSTMENTS for products used for commercial, institutional, professional or income-producing purposes. Wear items include but are not limited to: belts, blades, tires, spark plugs, air filters, chains, shear bolts, skid plates, scraper bars, drift cutters, ropes, tines, collection bags and pulleys.

As the Warranty Period runs from the date of purchase and NOT from the date that a product is delivered, opened, assembled or first used, please ensure during this time period that your product or component has been assembled and tested for correction operation regardless of when you intend to actually use it. Claims made after the Warranty Period has expired will not be honored.

PROOF OF PURCHASE/DOCUMENTATION: Warranty coverage is conditioned upon the original purchaser furnishing SEARS CANADA or its authorized third party service provider if applicable, with the original sales receipt or other adequate written proof of the original purchase date and identification of the product. In the event that the original purchaser is unable to provide a company of the original sales receipt, SEARS CANADA Inc. reserves the right to determine in its sole discretion what other written proof of the original purchase date and identification of the product is acceptable.

Get it fixed, at your home or ours!

Just Call:

1-800-4-MY-HOME[®]

(1-800-469-4663)

24 hours a day, 7 days a week

For the repair of major brand appliances **in your own home...**
no matter who made it, no matter who sold it!

For your nearest **Sears Parts and Service** location,
to bring in products like vacuums, lawn equipment and electronics.

For **Sears Parts & Service**, to order the replacement parts,
accessories and owner's manuals that you need to do-it-yourself.

www.sears.ca

To purchase or inquire about a Sears Maintenance Agreement, call:

1-800-361-6665

9 a.m. – 11 p.m. Mon. – Fri., EST, 9 a.m. – 4 p.m. Sat.

Pour service en français:

1-800-LE-FOYER^{MC}

(1-800-533-6937)

www.sears.ca



® / TM Trademarks of Sears Brands Management Corporation used under license by Sears Canada

^{MD} Marque déposée / ^{MC} Marque de commerce de Sears Brands Management Corporation utilisée en vertu d'une licence de Sears Canada

Faites-le réparer, à domicile ou à l'atelier!

Téléphonez au:
1-800-LE-FOYER^{MC}

(1-800-533-6937)

24 heures par jour, 7 jours par semaine

Pour la réparation des appareils électroménagers de grandes marques
à votre domicile ... peu importe le fabricant ou le détaillant!

Pour connaître l'emplacement du **Service des pièces et de l'entretien**
Sears le plus proche afin d'apporter à l'atelier des produits tels que
des aspirateurs, tondeuses à gazon ou appareils électroniques.

Pour connaître le no. de téléphone du **Service des pièces et de l'entretien**
Sears afin de commander les pièces de rechange, accessoires et
manuels d'instructions requis pour effectuer vous-même les réparations.

www.sears.ca

Pour acheter ou demander des renseignements
sur un contrat d'entretien Sears, téléphonez au:
1-800-361-6665

de 9 h à 23 h du lundi au vendredi (HNE), de 9 h à 16 h le samedi!

For service in English:
1-800-4-MY-HOME[®]
(1-800-469-4663)
www.sears.ca



GÉNÉRALITÉS : Les produits Craftsman sont garantis contre tout défaut de matériaux ou de fabrication pendant une période de temps précise, telle qu'établie ci-dessous (la « période de garantie »). En outre, cette garantie est offerte uniquement à l'acheteur initial du produit Craftsman. Les achats effectués par l'entremise d'un encan en ligne ou sur tout site Web autre que www.sears.ca sont exclus. La période de garantie débute à la date de l'achat initial. Au cours de cette période, Sears Canada, Inc. s'engage, à sa seule discrétion, à réparer ou à remplacer tout produit ou composant de produit défectueux dans des conditions d'utilisation normale. La réparation ou le remplacement sera effectué pour le client sans frais de pièces ni de main-d'œuvre, à condition que le client prenne à sa charge les frais de transport.

EXCLUSIONS : La présente garantie ne couvre pas les défectuosités dues à l'usure normale, l'utilisation inappropriée ou abusive, la négligence (y compris sans s'y restreindre, l'utilisation d'essence éventuellement, la abusifs, l'humidité, la rouille, la corrosion ou tout autre effet indésirable, imputable à un entreposage ou à des habitudes d'utilisation inappropriées), un mauvais entretien, le non-respect des consignes ou directives d'entretien, l'utilisation de l'appareil contrairement aux instructions fournies dans le manuel d'entretien ou aux consignes ou informations données à l'acheteur initial, au moment de l'achat ou au cours de communications subséquentes avec lui, un accident ou encore une modification de la couverture de la garantie - sauf indication fournie ci-dessous, effectuées ou tentées par d'autres. Sont également exclus de la couverture de la garantie - les éléments suivants : les composants esthétiques, courroies, lames, adaptateurs de lame, ampoules, pneus, filtres, barres de guidage, lubrifiants, sièges, poignées, logements de cordon de coupe, chaînes et barres de scie, bobines et fils de tondeuse à touet, bougies, cordes - les éléments suivants : travaux d'entretien, réglages, composants sujets à l'usure, y compris mais sans s'y restreindre : les composants esthétiques, courroies, lames, adaptateurs de lame, ampoules, pneus, filtres, barres de guidage, lubrifiants, sièges, poignées, logements de cordon de coupe, chaînes et barres de scie, bobines et fils de tondeuse à touet, bougies, cordes de démarrage et dents, ainsi que les décorations résultant de l'exposition aux rayons ultraviolets. Tout produit ne portant pas son étiquette d'identification avec son numéro de modèle ou de série sera exclu de la protection offerte par la présente garantie.

RÉPARATIONS : Les réparations sont garanties pendant une période de 90 jours. Si le produit défectueux est toujours couvert par la garantie, la nouvelle garantie est de 90 jours à compter de la date de la réparation ou jusqu'à la fin de la période de garantie initiale, selon la plus longue des deux échéances.

RESTRICTIONS : LES GARANTIES ET RECOURS DÉFINIS DANS LES PRÉSENTES SONT EXCLUSIFS ET REMPLACENT TOUTE AUTRE GARANTIE, QU'ELLE SOIT VERBALE OU ÉCRITE (AUTRE QUE CELLES ÉNONCÉES DANS LES PRÉSENTES) OU QU'ELLE SOIT EXPRÉSSÉ, IMPLICITE OU PRÉVUE PAR LA LOI, SANS SE RESTREINDRE À AUCUNE. LA PRÉSENTE GARANTIE VOUS CONFÈRE DES DROITS JURIDIQUES PRÉCIS, POUVANT DIFFÉRER D'UNE PROVINCE À LAUTRE.

SEARS NE POURRA EN AUCUN CAS ÊTRE TENUE RESPONSABLE DE TOUT DOMMAGE ACCESSOIRE, SPÉCIAL, INDIRECT OU CONSÉCUTIF, QUI RÉSULTERAIT DE L'UTILISATION, DU MÉSUSAGE OU DE L'INCAPACITÉ D'UTILISER LE PRODUIT OU QUI DÉCOULERAIT DE DÉFECTUOSITÉS DU PRODUIT. LES EXCLUSIONS DU PRÉSENT PARAGRAPHE NE S'APPLIQUENT PAS DANS LES TERRITOIRES OU LA LOI NE PERMET PAS L'EXCLUSION DES DOMMAGES ACCESSOIRES OU CONSÉCUTIFS. DANS CES TERRITOIRES, LE PRÉSENT PARAGRAPHE SERA SANS EFFET, MAIS SEARS CONSERVE LE DROIT EXCLUSIF DE RÉPARER OU DE REMPLACER LE PRODUIT OU ENCORE D'OFFRIR UN REMBOURSEMENT COMPLET DE SON PRIX D'ACHAT, À SA SEULE DISCRÉTION. CE RECOURS SERA LE SEUL ET UNIQUE RECOURS DONT VOUS DISPOSEREZ EN CAS D'INEXÉCUTION QUELLE QU'ELLE SOIT DE LA GARANTIE.

RESPONSABILITÉS DU CLIENT : En plus d'observer toutes les consignes et directives d'entretien, le client doit s'acquitter, entre autres, des obligations suivantes : utiliser le produit conformément aux consignes de la notice d'entretien et aux directives ou informations additionnelles fournies à l'acheteur au moment de l'achat ou à l'occasion de communications subséquentes ; faire preuve d'un soin raisonnable pour l'utilisation, le fonctionnement, l'entretien général, le maintien en bon état et l'entreposage du produit. Le manquement à ces obligations entraînera une annulation de la garantie applicable.

LISTE DES PÉRIODES DE GARANTIE APPLICABLES : La liste ci-dessous indique la période de garantie applicable aux divers produits Craftsman qu'elle couvre ; la période accordée tient compte du type de produit ou de composants et du type d'utilisation prévue ou effective de l'appareil ou du composant :

- 1. 90 JOURS** - Produits Craftsman devant être ou étant effectivement utilisés à des fins commerciales, institutionnelles, professionnelles ou lucratives.
- 2 ANS** - Les produits de marque Craftsman suivants : tondeuses à conducteur porté, tracteurs de jardin, tondeuses à contrôle arrière, motobèches, débroussaillieurs, souffluses à neige, souffluses portatives, souffluses dorsales, taille-bordures et produits électriques à usage non commercial, non professionnel, non institutionnel ou non lucratif, sauf les composants faisant partie de systèmes de moteur fabriqués par des tiers pour lesquels l'acheteur a reçu une garantie séparée ainsi que des renseignements sur le produit, au moment de l'achat.
- 1 AN** - Produits de marque Craftsman suivants : couteaux électriques, broyeuses de souches, ébranchoirs, scies à chaîne à essence, scies à chaîne électriques, accessoires de taille-porlures, sacs et scies à long manche utilisées à des fins non commerciales, non professionnelles, non institutionnelles et non lucratives.
- 90 JOURS** - Toutes les batteries défectueuses, qui seront remplacées pendant une période de garantie de 90 jours.
- 60 JOURS** - Une période de garantie additionnelle de 60 jours s'appliquera pour le réglage de produits de produits commerciaux, institutionnelles, professionnelles ou lucratives. Les articles sujets à l'usure englobent, sans s'y restreindre : les courroies, lames, pneus, bougies, filtres à air, chaînes, boujons de cisaillement, plaques de protection, barres de raclage, coupe-congères, cordons, dents, sacs collecteurs et poules.

Étant donné que la période de garantie débute à la date d'achat et NON à la date à laquelle le produit est livré, l'emballage ouvert et l'appareil assemblé ou utilisé la première fois, assurez-vous que votre produit ou composant est assemblé et mis à l'essai pour en vérifier le bon fonctionnement, quel que soit le moment où vous prévoyez commencer à l'utiliser réellement. Les réclamations présentées après l'expiration de la garantie ne seront pas acceptées.

PREUVE D'ACHAT ET DOCUMENTS : La protection de la garantie est conditionnelle à la présentation par l'acheteur initial, à Sears Canada ou à son fournisseur de service autorisé s'il y a lieu, de la facture ou de toute autre preuve d'achat appropriée indiquant la date de l'achat et désignant le produit. Dans le cas où l'acheteur initial serait dans l'impossibilité de fournir une copie de sa facture, Sears Canada Inc. se réserve le droit d'établir, à sa seule discrétion, quelle autre preuve écrite de la date d'achat initial et de la désignation du produit est acceptable.

TRACTEUR - - NUMÉRO DE MODÈLE 944.602680
TRANSMISSION "TUFFTORQ" - NO. DE MODÈLE K46BT

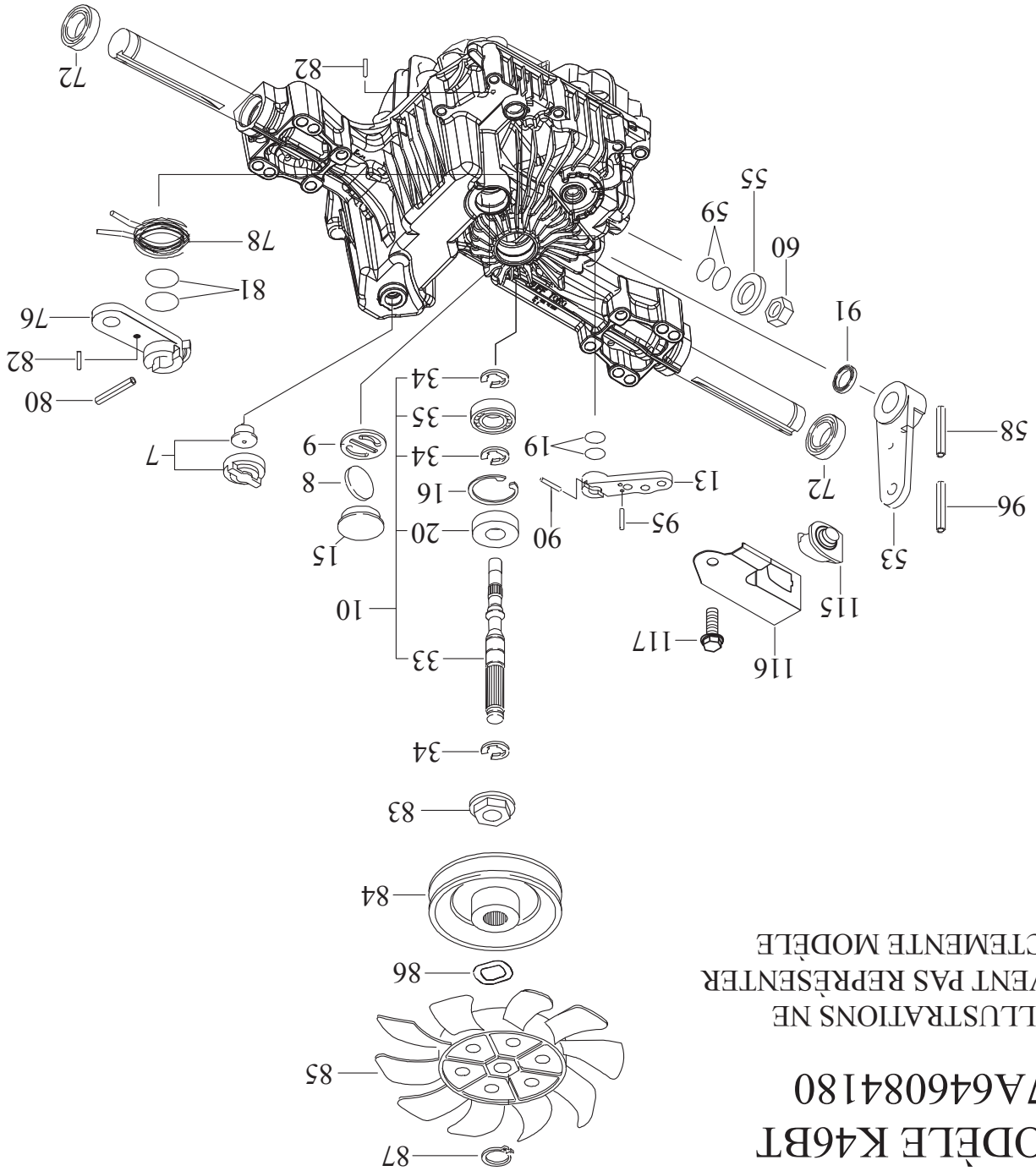
NO.	DÉ	REF.	NO.	PIECE	DESCRIPTION
7			414395		Conduit 15
8			414396		Almant
9			414397		Porte-aimant
10			415923		Pomper l'Arbre/Trousse de maintien
13			414398		Sauter le levier
15			414399		Casquette scellant 30
16			414400		Claquer l'anneau C 35
19			414401		O-anneau 1A P10a
20			414402		Scellant Tc 153507
33			414403		Pomper l'Arbre (Standard
34			414404		E-anneau 15
35			414405		Bearing 6202c3
53			414431		Levier de commande
55			415924		Rondelle 12
58			415925		Rouler l'épingle 6 * 40
59			415926		O-anneau 1A P14
60			415927		Ecrou 12
72			414407		Scellant 19 * 32 * 8
76			414408		Levier de frein à main
78			414409		Freiner le retour de printemps
80			414410		Bondir l'épingle 5 * 32
81			414411		O-anneau 1A P12
82			414412		Bondir l'épingle 4 * 16
83			414413		Col d'épine
84			414414		Poulie L
85			414415		Ventilateur, noir
86			414416		Rondelle
87			414417		Sonner le claquement
90			414418		Bondir l'épingle 3.0a * 20
91			414419		Huiler le cachet 16 * 22 * 03
95			414850		Bondir l'épingle 3.0a * 16
96			414420		Rouler l'épingle 3.5 * 40
115			415928		Interrupteur 6440-11 DELTA
116			415929		Support de Interrupteur
117			415930		Vis 8 * 20

REMARQUE: Toutes les dimensions de composant sont données en pouce d'E.-U. - - 1 pouce = 25,4 mm.

**TRACTEUR - - NUMÉRO DE MODÈLE 944.602680
TRANSMISSION "TUFFTORQ" - NO. DE MODÈLE K46BT**

**MODÈLE K46BT
7A646084180**

LES ILLUSTRATIONS NE
PEUVENT PAS REPRÉSENTER
EXACTEMENT LE MODÈLE



**TRACTEUR - - NUMÉRO DE MODÈLE 944.602680
MOTEUR "BRIGGS & STRATTON" - NO. DE MODÈLE 445877, NO. DE TYPE 0140-G5**

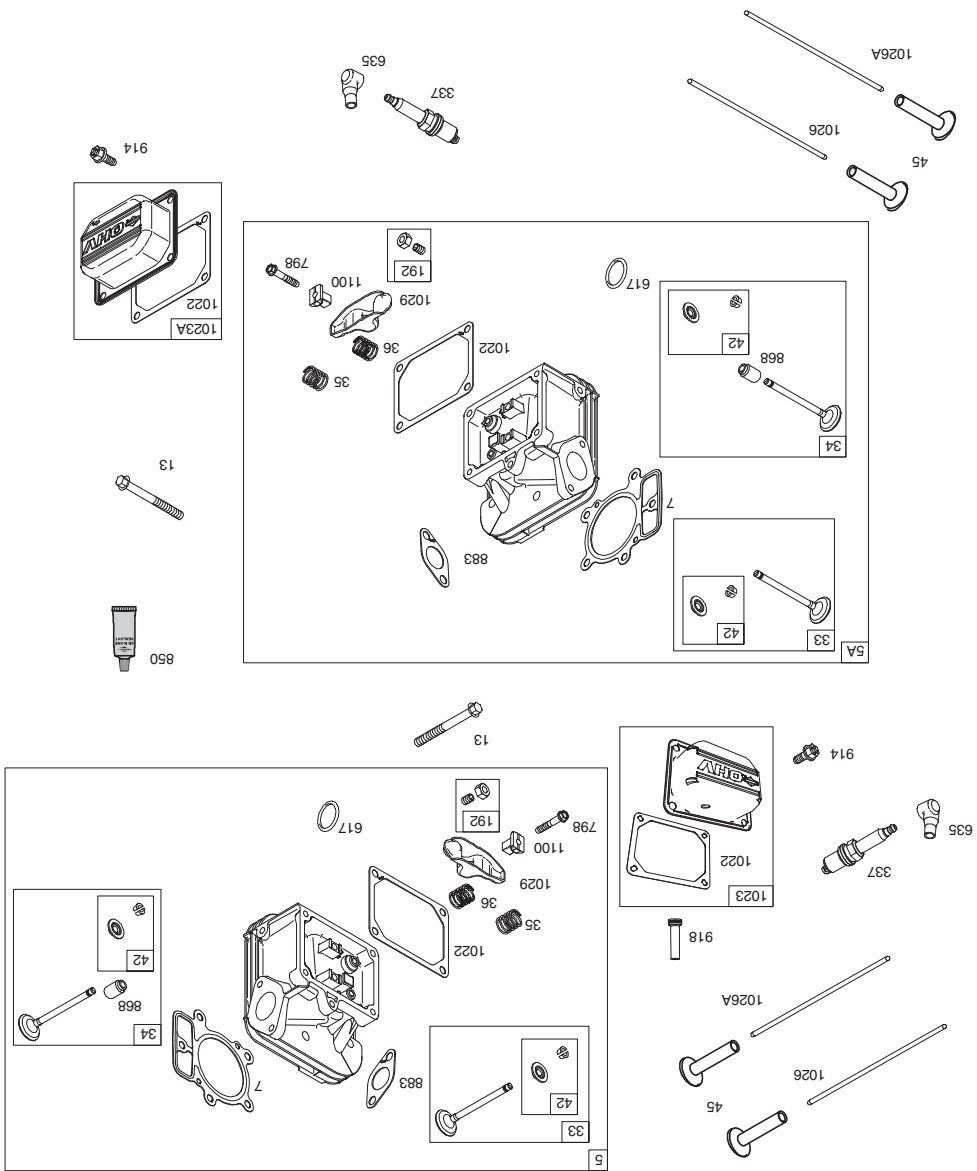
NO. DÉ	DESCRIPTION	NO. DÉ	DESCRIPTION
385	797409	918A	Vis (Pompe à Essence)
387	808656	929	Vis (Support de commande de bobine)
404	690442	943	Annneau de Joint-o (couverture de pompe d'huile)
415	794903	947	Solénoïde-Carburant
445	792105	964	Chapeau-Connecteur
474	696458	965	Pompe de Couvrir-Huile
474	696458	967	Décapant de Filtre-Pré
501	797375	968	Décapant de Couvrir-Air
505	691029	975	Cuve de Carburateur
510	696541	987	Axe de Joint-Commande de puissance
513	692024	1005	Ventilateur de Volant du Moteur
523	691036	1012	Tige
524	691032	1013	Filtre de Mamelon-Huile
525	691037	1017	Ecran de pompe d'huile
526	691108	1022	Garniture, Couverture de Balancier
552A	690553	1023A	Couverture de Balancier (Cyl. 2)
562	690311	1024	Pompe d'huile
573	790444	1026	Tige à Frein (Steel)
601	691038	1026A	Tige à Frein (Aluminium)
615	698290	1027	Filtre à huile
616	691045	1029	Bras de Balancier
617	697891	1036	Jeu d'étriquette (Fourni par un revendeur autorisé Briggs & Stratton)
633	699813	1040	Plat d'équilibrage
633A	690998	1051	Circclip
635	665385	1054	Attacher-Câble
654	690958	1058	Le manuel de l'opérateur
668	691215	1059	Jeu, Vis/Rondelle (Alternateur)
668A	691500	1070	Vis, Ventilateur de Volant du Moteur
672	690234	1090	Arrêt-à-brosse
691	790574	1095	Fixée, Garnitures du Soupape
697	791680	1100	Pivot, Tige à Frein
703	691010	1119	Vis, Alternateur
718	690959	1124	Annneau de Joint-o (renvoi des billes de carburant)
729	797454	1124A	Annneau de Joint-o (renvoi des billes de carburant)
741	690980	841653	Annneau de Joint-o (renvoi des billes de carburant)
742	690328	1126	de carburant)
750	796208	690991	Vis (renvoi des billes de carburant)
783	695708	1127	Vis, Cuve de Flotteur
789	797424	690990	Vis (bec de carburateur)
798	697890	1169	Vis (plat de carburateur)
801	691283	1329	Moteur de rechange
802	691286	273521	Réparez le manuel
842	691031	1330	
847	499602		
850	100106		Kit de révision de carburateur
851	493880s		Ensemble de garniture de moteur
855	792286		Ensemble de garniture de valve
865	792286		
868	690968		
883	690970		
914	691127		
918	797408		

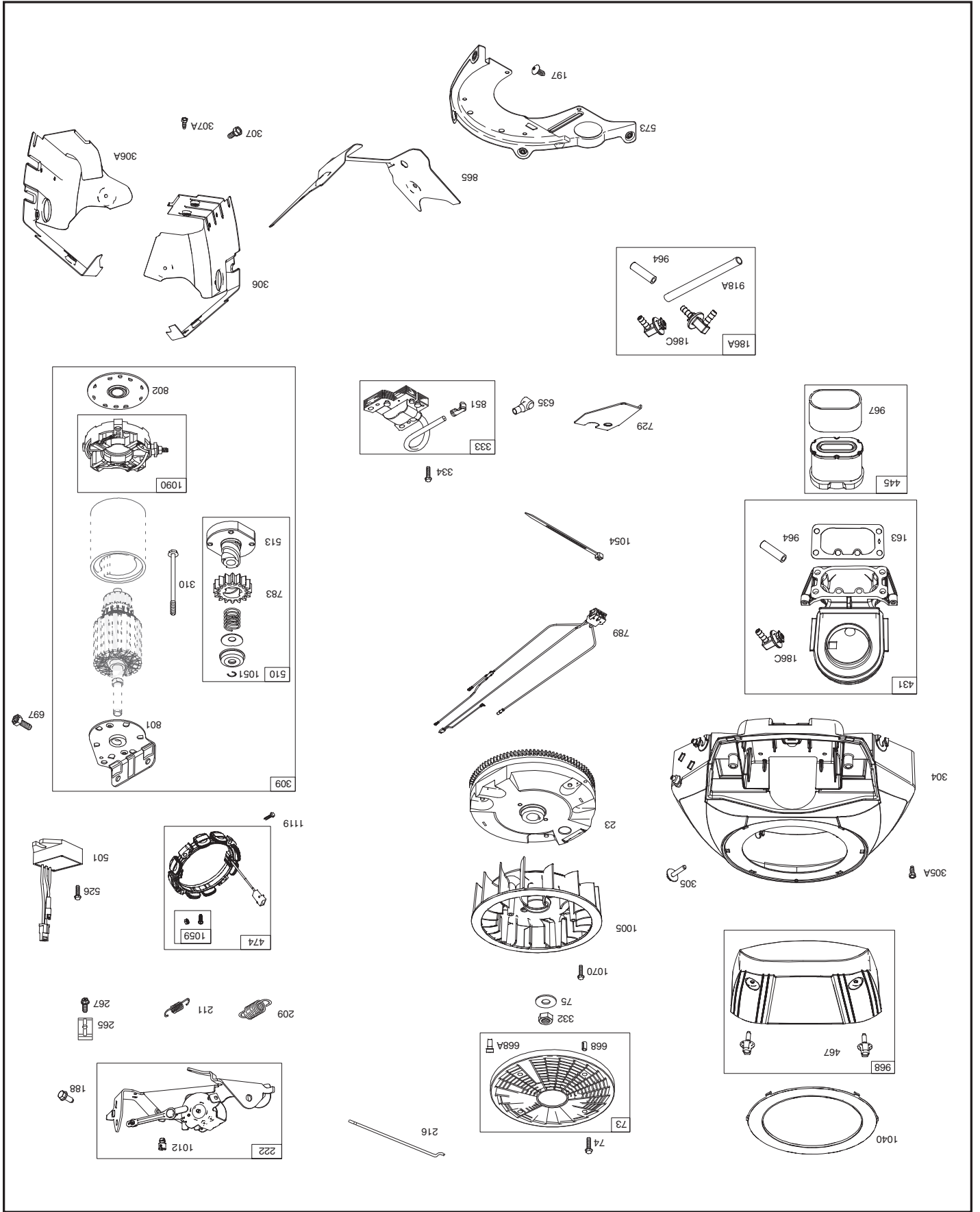
REMARQUE: Toutes les dimensions de composant sont données en pouce d'E.-U. - - 1 pouce = 25,4 mm.

**TRACTEUR - - NUMÉRO DE MODÈLE 944.602680
MOTEUR "BRIGGS & STRATTON" - NO. DE MODÈLE 445877, NO. DE TYPE 0140-G5**

NO. DÉF.	NO. PIÈCE	DESCRIPTION	NO. DÉF.	NO. PIÈCE	DESCRIPTION
1	793564	Ensemble du Cylindre	125	796227	Carburateur
2	797673	Douille de Cylindre (Côté Magneto)	130	690993	Soupape de Commande des Gaz
3	3910865	Bague d'étanchéité (Côté Magneto)	131	499805	Jeu-axe de commande de puis- sance
4	796307	Carter de vidange-Moteur	133	699724	Ens. de Flotteur de Carburateur
5	799088	Tête de Cylindre (Cyl 1)	135	699729	Tube d'essence
5A	799089	Tête de Cylindre (Cyl 2)	137	690994	Garniture du Flotteur
7	693997	Garniture de la Tête de Cylindre	141	796228	Jeu-Obstruez l'axe
8	792185	Assemblée de reniflard	142	699726	Bec-Carburateur
9	690937	Garniture de reniflard	146	690979	Cîe de la Distribution
10	691108	Vis (Assemblée de reniflard)	150	690995	Garniture-Bec
11	792184	Tube de Reniflard	163	691001	Garniture de Filtre à Aire
12	697227	Garniture du Carter-moteur	186	795985	Tuyau-Connecteur (Coude de prise)
13	793988	Vis de Tête de Cylindre	186B	799158	Tuyau-Connecteur (EVAF)
16	796237	Vilbrequin	186C	845141	Tuyau-Connecteur (EVAF)
15	690946	Bouchon de Vidange d'huile	187	791766	Tuyau, Essence
20	795387	Bague d'étanchéité (Côté PTO)	188	691108	Vis, Support de Control
22	694966	Vis de Montage de Bac à Sems	192	690083	Balancier de Réglaqe
23	691053	Volant Magneto	197	697820	Vis (Plat Arrière)
24	2226988	Cîe de Volant	209	798921	Ressort, Régulateur (Orange)
25	793563	Ensemble du Piston, Standard	211	691019	Ralentî Ressort-Régi (Aucune Cou- leur)
26	792073	Jeu, Segments de Piston, 0,020" OS	212	695238	Lien-Commande de puissance
27	690975	Verrou de l'axe de Piston	216	796229	Lien-Obstruez
28	696581	Axe de Piston	217	799112	Ressort-Obstruez le retour
29	796209	Ensemble de la Bielle	219	793338	Visse, Régulateur
32	690976	Vis de Bielle	220	799772	Rondelle de Vitesse de Régulateur
33	793557	Soupape d'échappement	221	841026	Tasse-Gouverneur
34	793556	Soupape d'admission	222	798915	Support du Carburateur
35	694865	Ressort de Soupape d'admission	227	798856	Ensemble du Levier de Régulateur
36	694865	Ressort de Soupape	231	690718	Vis (Valve de Bobine)
42	499586	Guide à Soupape	240	695666	Filtre-Carburant
45	690977	Poussoir à Soupape	250	690957	Arrêteur-Reniflard
46	792555	Engrenage de Came	252	794389	Collecteur-Huile
48	698172	Bloc Court	265	691024	Clamp-Casing
50	695241	Coude de prise	267	792629	Vis (Bride d'enveloppe)
51	795123	Garniture de Coude d'admission	276	695410	Rondelle-Cachetage
51A	690950	Garniture de Coude d'admission	276A	794271	Rondelle-Cachetage
51	690949	Garniture de Coude d'admission	278	792651	Rondelle, Levier de Régulateur
53	69051	Stud (Carburateur)	287	697820	Vis de Tube de Jauge d'huile
54	699816	Garniture (Intake Manifold)	304	799955	Boîtier de Soufflerie
73	49439	Screen-Rotating	305	691005	Vis H, Boîtier de Soufflerie
74	698425	Screen (Rotating Screen)	305A	790690	Vis (ventilateur logeant au coude de prise)
75	691056	Washer (Flywheel)	306	798855	Protecteur de Cylindre (Cyl. 1)
95	690718	Vis à Sems de Montage de Soup- ape de Commande des Gaz	306A	796852	Protecteur de Cylindre (Cyl. 2)
98	699721	Jeu de Vitesse à Vide	307	691108	Vis, Protecteur de Cylindre (1/4- 20x,66)
104	694918	Axe de Charnière de Flotteur	307A	691003	Vis, Protecteur de Cylindre (10- 24x,44)
105	797410	Soupape de Aiguille	309	497595	Démarrreur de Rebobinage
117	792296	Giclette, Standard (C. G. Giclette)	310	690323	Vis (Démarrreur de Rebobinage)
117A	842627	Giclette, Standard (C. D. Giclette)	332	691059	Ecron de Volant
118	699457	Giclette (Haute Altitude) (C. G. Giclette)	333	799651	Armature de Magneto
118A	699733	Giclette (Haute Altitude) (C. D. Giclette)	334	691061	Vis (Armature de Magneto)
121	797890	Jeu de Carburateur	337	793541	Bougie d'allumage

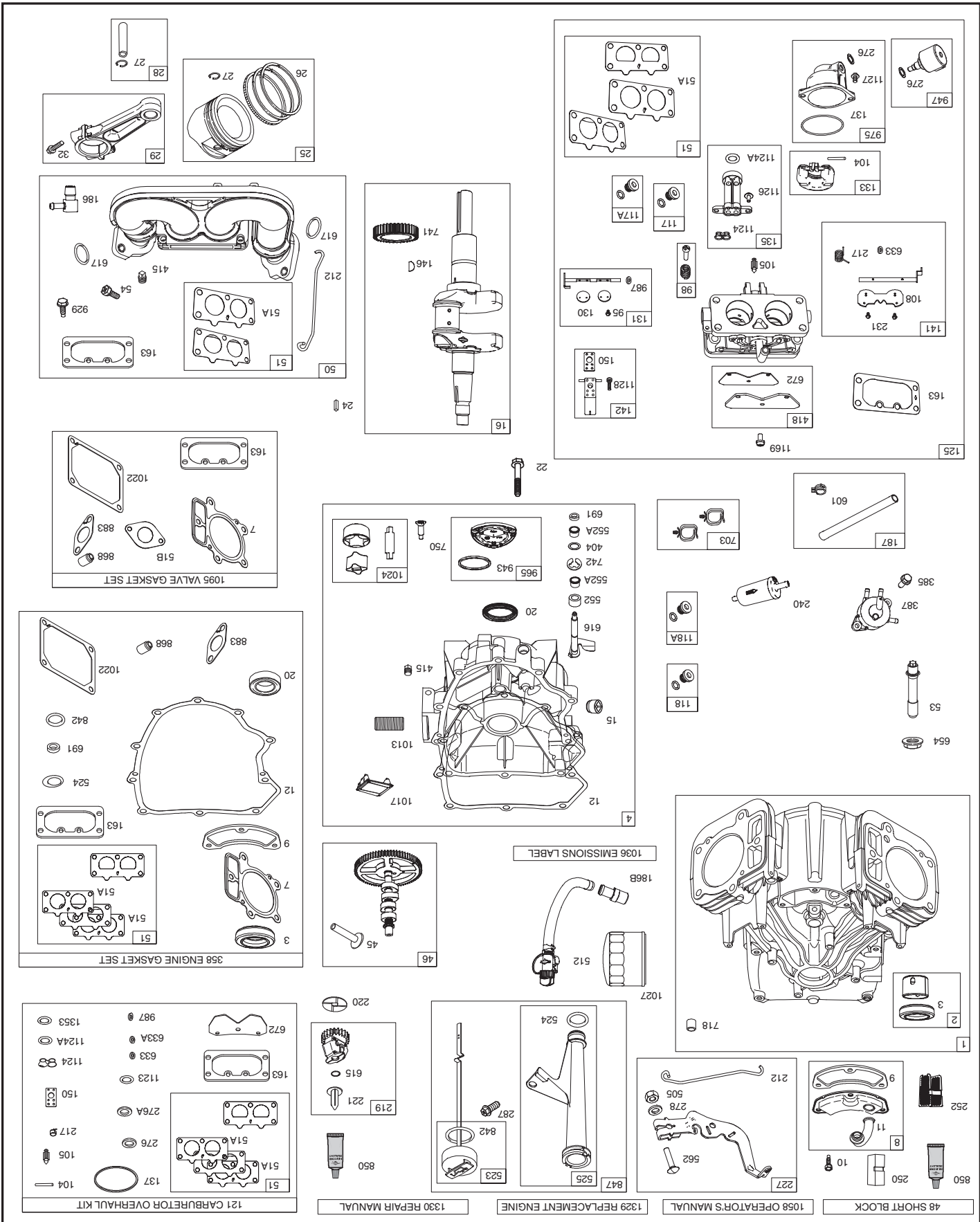
TRACTEUR - - NUMÉRO DE MODÈLE 944.602680
MOTEUR "BRIGGS & STRATTON" - NO. DE MODÈLE 445877, NO. DE TYPE 0140-G5





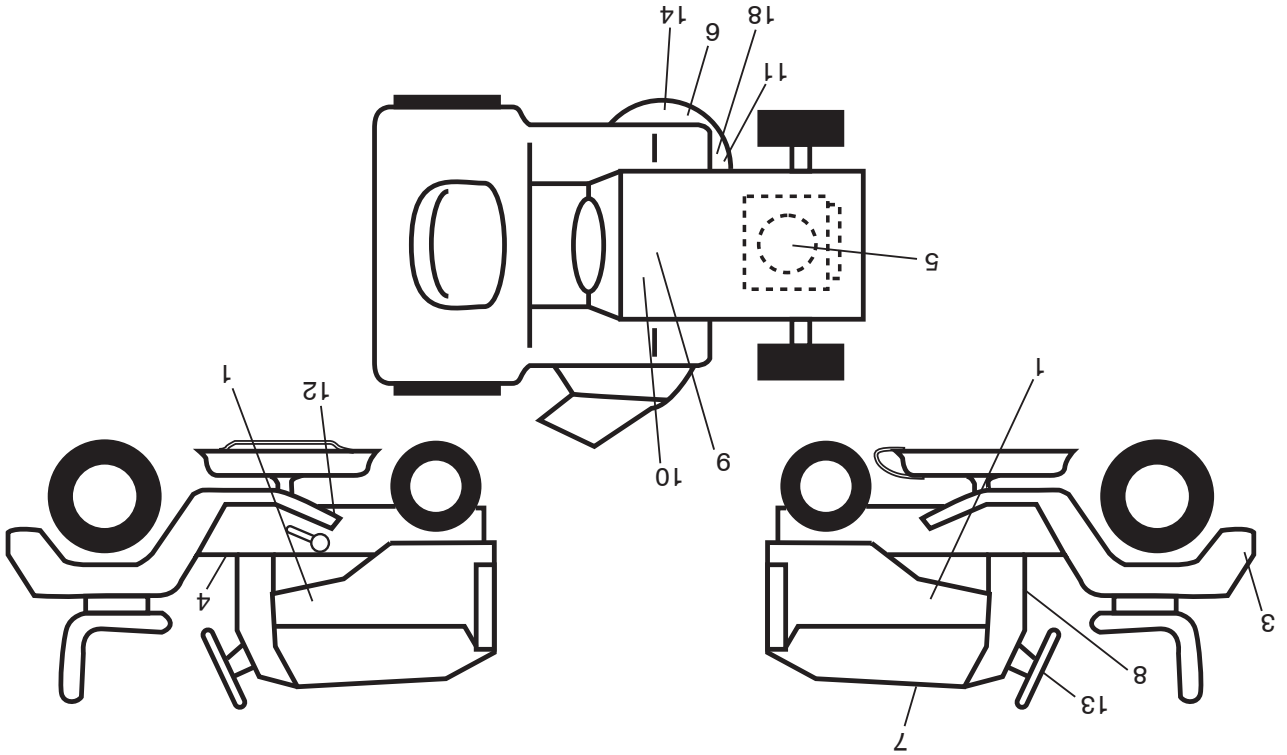
TRACTEUR -- NÚMERO DE MODELO 944.602680
 MOTEUR "BRIGGS & STRATTON" - NO. DE MODELO 445877, NO. DE TIPO 0140-G5

TRACTEUR - - NUMÉRO DE MODÈLE 944.602680 MOTEUR "BRIGGS & STRATTON" - NO. DE MODÈLE 445877, NO. DE TYPE 0140-G5



TRACTEUR -- NUMÉRO DE MODÈLE 944.602680

DECALCOMANIES



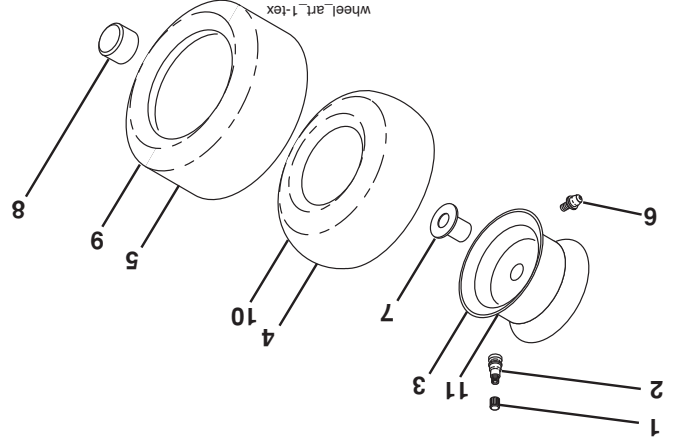
NO. DÉ. REF. PIÈCE

1	443183	Decalcomanie du capot
3	441122	Decalcomanie de l'aile
4	411658	Decalcomanie d'avertissement
5	440997	Decalcomanie du moteur
6	198785	Decalcomanie Courroie
7	580385801	Decalcomanie
8	435286	Decalcomanie d'avertissement
9	149517	Decalcomanie d'avertissement de bat-terrie
10	448709	Decalcomanie de batterie
11	178502	Decalcomanie d'avertissement de ton- deuse

NO. DÉ. REF. PIÈCE

12	421534	Decalcomanie de courroie
13	439525	Decalcomanie de direction
14	426593	Decalcomanie
18	170563	Decalcomanie de tondeuse
--	166960	Decalcomanie dérivation
--	193226X428	Coussin d' repose-pied C.G.
--	400981X428	Coussin d' repose-pied C.D.
--	580401724	Manuel de l'opérateur
--	580401824	Manuel des Pièces de Rechange (Anglais/Français) (Anglais/Français)

ROUES & PNEUS



NO. DÉ. REF. PIÈCE

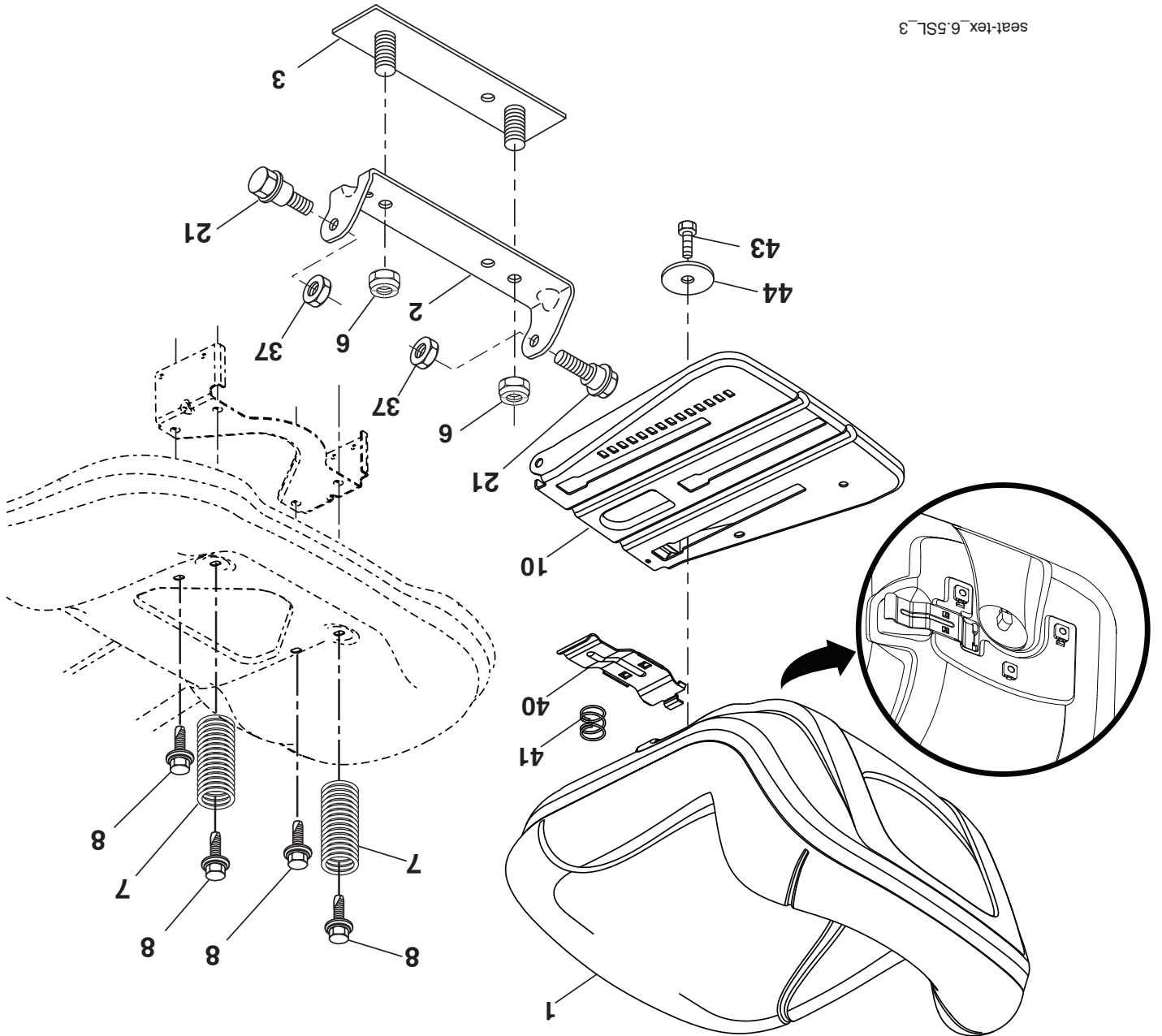
1	59192	Capuchon de la valve du pneu
2	65139	Tubulure de la valve
3	148736X613	Ensemble de la jante antérieure
4	8134H	Chambre à air antérieure
5	106230X	Pneu antérieur
6	278H	Graisseur (roue antérieure seulement)
7	9040H	Palier à bride (roue antérieure seule-ment)
8	104757X428	Chapeau de l'essieu
9	122082X	Pneu arrière
10	7152J	Chambre à air arrière
11	106108X613	Ensemble de la jante arrière
--	144334	Joint d'étanchéité de pneu (tube de .30L [10 oz. Tube])

DESCRIPTION

REMARQUE: Toutes les dimensions de composant sont données en pouce d'E.-U. -- 1 pouce = 25,4 mm.

TRACTEUR - - NUMÉRO DE MODÈLE 944.602680

ENSEMBLE DU SIÈGE



seat-tex_6.5SL_3

NO.	DÉ	PIÈCE
1		Siège
2		Support de pivot
3		Attache de l'ensemble de l'aile
6		Ecroû frein H avec insert 3/8-16 unc
7		Ressort de compression du siège
8		Boulon 5/16-18 unc x 3/4
10		Cuvette du siège
21		Boulon à épaulement 5/16-18
37		Ecroû frein 5/16-18 unc

DESCRIPTION

NO.	DÉ	PIÈCE
40		Guidon
41		Ressort de compression
43		Boulon 3/8-16 x 3/4
44		Rondelle 13/32 x 2-3/8 x 12 Ja.

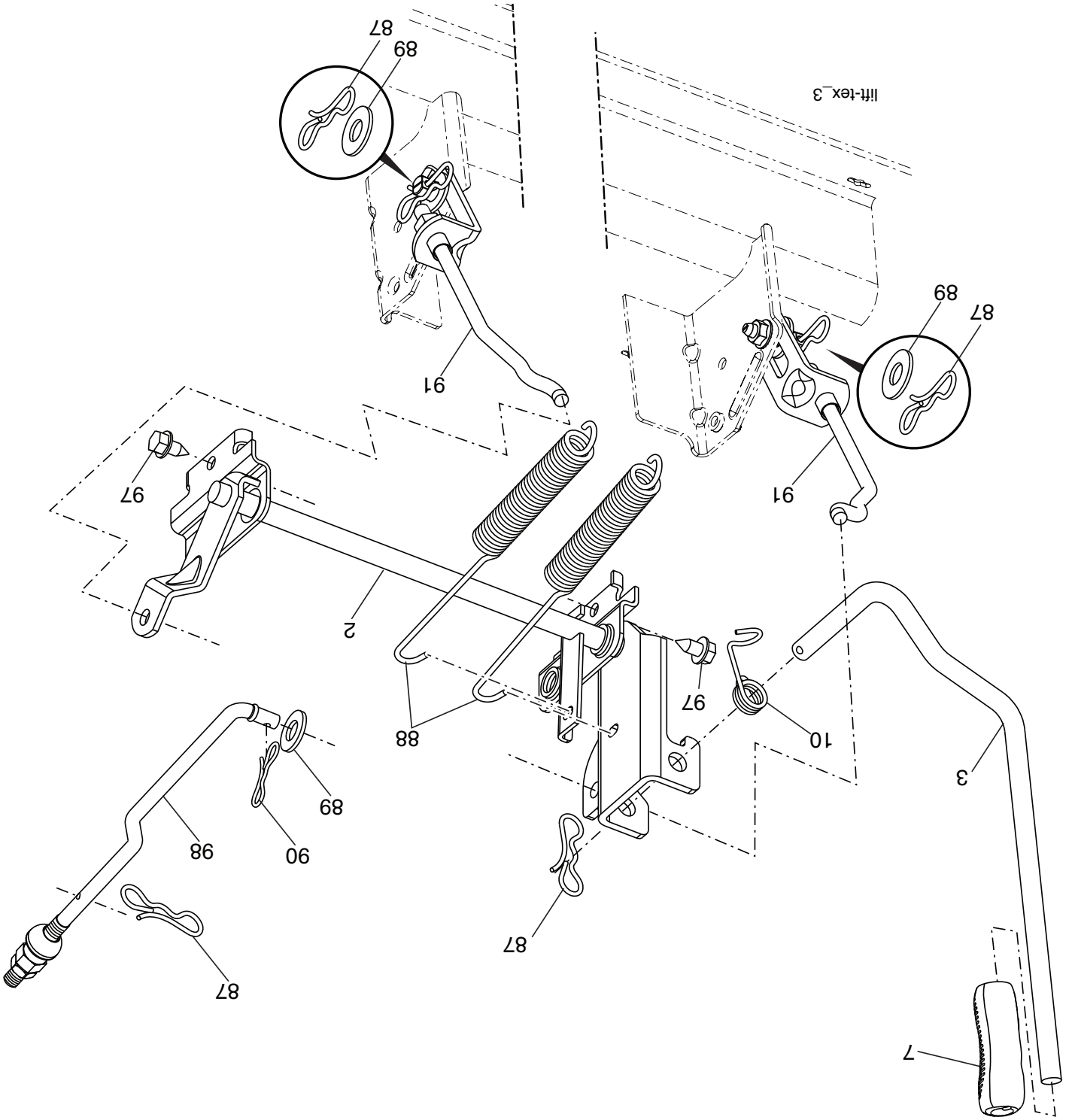
DESCRIPTION

NO.	DÉ	PIÈCE
40		Guidon
41		Ressort de compression
43		Boulon 3/8-16 x 3/4
44		Rondelle 13/32 x 2-3/8 x 12 Ja.

REMARQUE: Toutes les dimensions de composant sont données en pouce d'E.-U. - - 1 pouce = 25,4 mm.

TRACTEUR -- NUMÉRO DE MODÈLE 944.602680

LEVAGE DE LA TONDEUSE



NO. DE PIÈCE	DESCRIPTION
2	Ensemble de l'arbre
3	Ensemble de l'arbre de levage C.D.
7	196492X421
10	Ressort de Torsion
196314	Poignée cannelée du levier
87	Goupille fendue 7/16
88	Ressort de retenue
89	Rondelle
90	194208

NO. DE PIÈCE	DESCRIPTION
91	403407
97	17000612
98	195264

REMARQUE: Toutes les dimensions de composant sont données en pouce d'E.-U. - - 1 pouce = 25,4 mm.

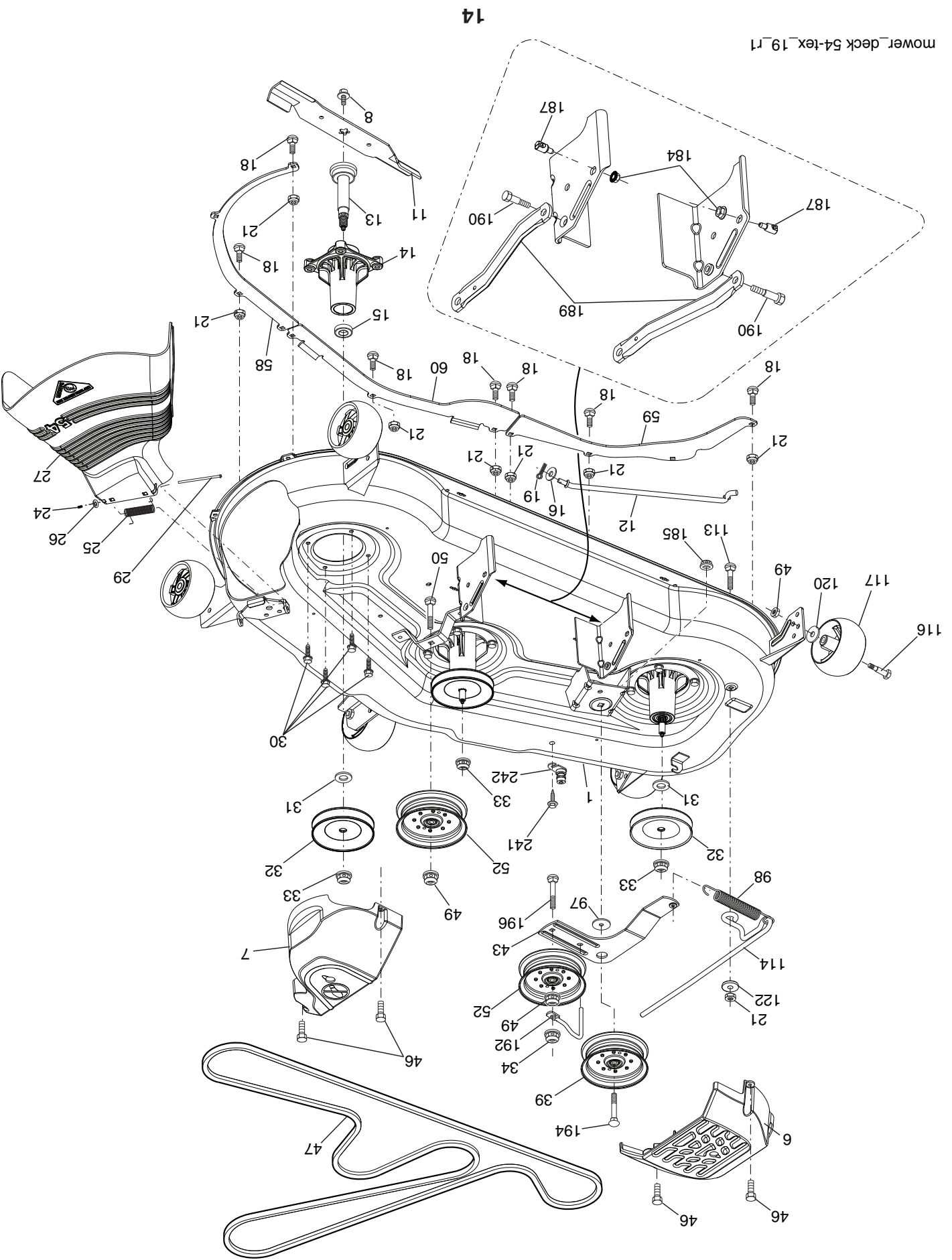
NO. DE PIÈCE	DESCRIPTION
91	Raccord de levage
97	Vis 3/8-16 x 3/4
98	Raccord de levage

TRACTEUR - - NUMÉRO DE MODÈLE 944.602680
CARTER DE TONDEUSE

NO.	DÉ	PIECE	DESCRIPTION	NO.	DÉ	PIECE	DESCRIPTION
1	196066	187342	Chicane (C.D.)	58	187342	Chicane (C.D.)	Carter De Tondeuse
6	197181	187344	Chicane (C.G.)	59	187344	Chicane (C.G.)	Mandrin de logement C.G.
7	197181	187607	Chicane	60	187607	Chicane	Mandrin de logement C.D.
8	193003	178515	Rondelle	97	178515	Rondelle	Boulon/Rondelle 7/16-20 unF
11	187256	196105	Ressort	98	196105	Ressort	Lame
12	404851	72110508	Boulon 5/16-18 x 3/4	113	72110508	Boulon 5/16-18 x 3/4	Tige
13	187291	187556	Tige	114	187556	Tige	Roulement à billes
14	187281	193406	Boulon	116	193406	Boulon	Mandrin de logement
15	110485X	174873	Roue de jauge	117	174873	Roue de jauge	Roulement à billes, mandrin
16	19131312	19132012	Rondelle 13/32 x 1-1/4 x 12 Ja.	120	19132012	Rondelle 13/32 x 1-1/4 x 12 Ja.	Rondelle 13/32 x 13/16 x 12 Ja.
18	72140505	187557	Coussinet	122	187557	Coussinet	Boulon 5/16-18 unc x 5/8
19	194208	73900500	Écrou 5/16-18	184	73900500	Écrou 5/16-18	Épingle
21	73680500	73900700	Écrou 7/16-14 Cat. 5	185	73900700	Écrou 7/16-14 Cat. 5	Écrou 5/16-18 unc
24	105304X	195161	Fixation à goujon	187	195161	Fixation à goujon	Chapeau
25	178102	195185	Suspension arrière	189	195185	Suspension arrière	Ressort de torsion
26	110452X	196539	Boulon	190	196539	Boulon	Écrou
27	187257X428	198468	Garde de poulie	192	198468	Garde de poulie	Déflecteur de bouclier
29	131491	74490736	Boulon 7/16-24	194	74490736	Boulon 7/16-24	Tige
30	173984	72140620	Boulon 3/8-16 x 2-1/2 Cat. 5	196	72140620	Boulon 3/8-16 x 2-1/2 Cat. 5	Vis
31	187690	152927	Vis	241	152927	Vis	Rondelle
32	153535	415598	Raccord de lavage	242	415598	Raccord de lavage	Poulie de mandrin
33	400234	187292	Ensemble du mandrin (Inclut boîtier, ensemble arbre, et palier seulement - poulie/écrou/rondelle et lame, boulon/ rondelle ne pas inclut)	403349	187292	Ensemble du mandrin (Inclut boîtier, ensemble arbre, et palier seulement - poulie/écrou/rondelle et lame, boulon/ rondelle ne pas inclut)	Écrou
34	73680600						Écrou 3/8-16 unc
39	197380						Poulie de renvoi
43	196065						Le bras du tendeur
46	137729						Vis 1/4-20 x 5/8
47	196103						Courroie
49	73900600						Écrou 3/8-16 unc
50	72110616						Vis 3/8-16 x 2-1/4
52	197379						Poulie de renvoi

REMARQUE: Toutes les dimensions de composant sont données en pouce d'E.-U. - - 1 pouce = 25,4 mm.

TRACTEUR -- NUMÉRO DE MODÈLE 944.602680
CARTER DE TONDEUSE



TRACTEUR - - NUMÉRO DE MODÈLE 944.602680

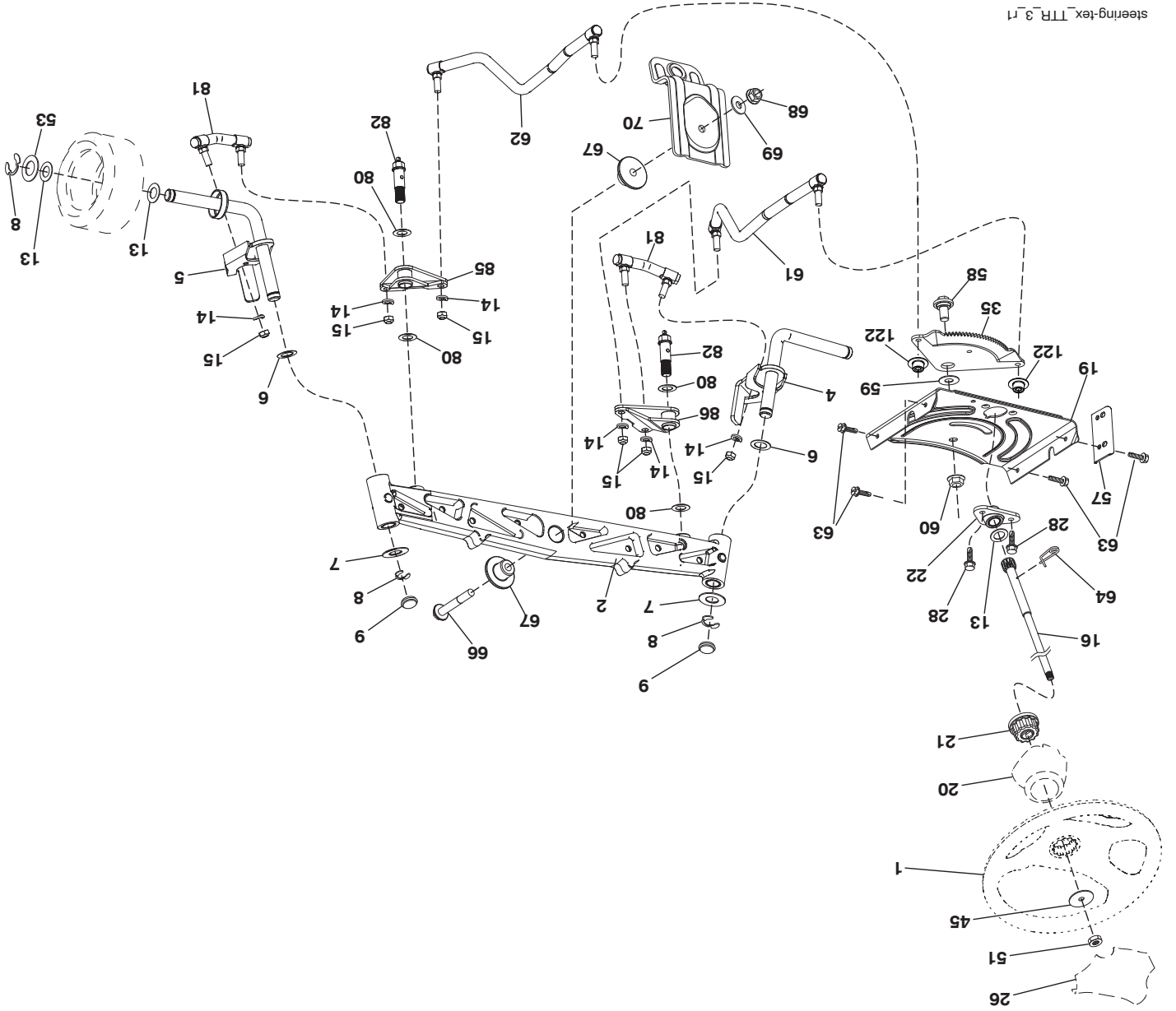
ENSEMBLE DE LA DIRECTION

NO.	DE	REF.	PIECE	DESCRIPTION
1		414851X659		Volant de direction
2		436870		Axe avant Asmmbly
4		436873		Ensemble de la broche C.G.
5		436874		Ensemble de la broche C.D.
6		6266H		Rondelle clip n°T5304-75
7		121748X		Rondelle 25/32 x 1-5/8 x 16 Ja.
8		12000029		Anneau d'agrafe #T5304-75
9		184946X667		Spindle Cape
13		121749X		Rondelle
14		10040600		Rondelle 3/8
15		73540600		Ecrou 3/8-24 unf
16		440785		Arbre de direction
19		194729		Arbre de plaque
20		199676X428		Boîte de direction
21		437747		Adaptateur de volant
22		194845		Douille
26		414852X659		Insertion de volant
28		17000612		Vis 3/8-16 x 3/4
35		440770		Visse de plat de secteur
45		19183812		Rondelle
51		73940800		Ecrou 1/2-20 unf
53		188967		Rondelle : 793 x 1.637 x .060
57		197246		Support
58		194747		Boulon
59		194748		Rondelle
60		73971000		Ecrou 5/8-11
61		436884		Draglink, C.G.
62		436885		Draglink, C.D.
63		17000512		Vis 5/16-18 x 3/4
64		199849		Ressort
66		71020748		Boulon 7/16-14 x 3 Serr
67		194737		Douille
68		73900700		Ecrou 7/16-14 Cat. 5
69		199162		Rondelle 1.5 x .505 x .118
70		196197		Support
80		1370H		Rondelle
81		436887		Réticulation C.G.
82		436877		Pivot Boulon
85		441873		Pivot C.G.
86		441872		Pivot C.D.
122		444962		Chapeau

REMARQUE: Toutes les dimensions de composant sont données en pouce d'E.-U. - - 1 pouce = 25,4 mm.

TRACTEUR - - NUMÉRO DE MODÈLE 944.602680
ENSEMBLE DE LA DIRECTION

steering-tex_TTR_3_r1



NO.	DÉ	REF.	DESCRIPTION
1	---	---	Moteur B&S-No. de modèle 445877-0140-G5 (448603) (Voyez Les Détails De Moteur.)
2		149723	Silencieux
9		194320	Ensemble de la guide courroie du moteur
11		400008	Embrayage électrique
12		405097	Pouille
15		438080	Réservoir d'essence 3.0
18		430214	Chapeau
20		421473X428	Commande des gaz
21		416358	Vis
28		401135	Conduite d'essence
29		137180	Jeu de pare - étincelles
37		123487X	Bride de serrage de tuyau
41		126197X	Rondelle 1-1/2 OD x 15/32 ID x .250
42		10040700	Rondelle 7/16
45		73510400	Ecroû 1/4-20 unc
62		434017	Défecteur de débris
69		165391	Garniture de silencieux
70		159955	Tube C.G.
71		160589	Tube C.D.
79		183906	Vis 5/16-18 x 3/4
84		17060620	Vis 3/8-16 x 1
85		173937	Boulon 7/16-20 x 3.75 Ja. 5
87		171877	Boulon 5/16-18 unc x 1 w/Sems
90		1700616	Vis 3/8-16 x 1
91		187495	Bague

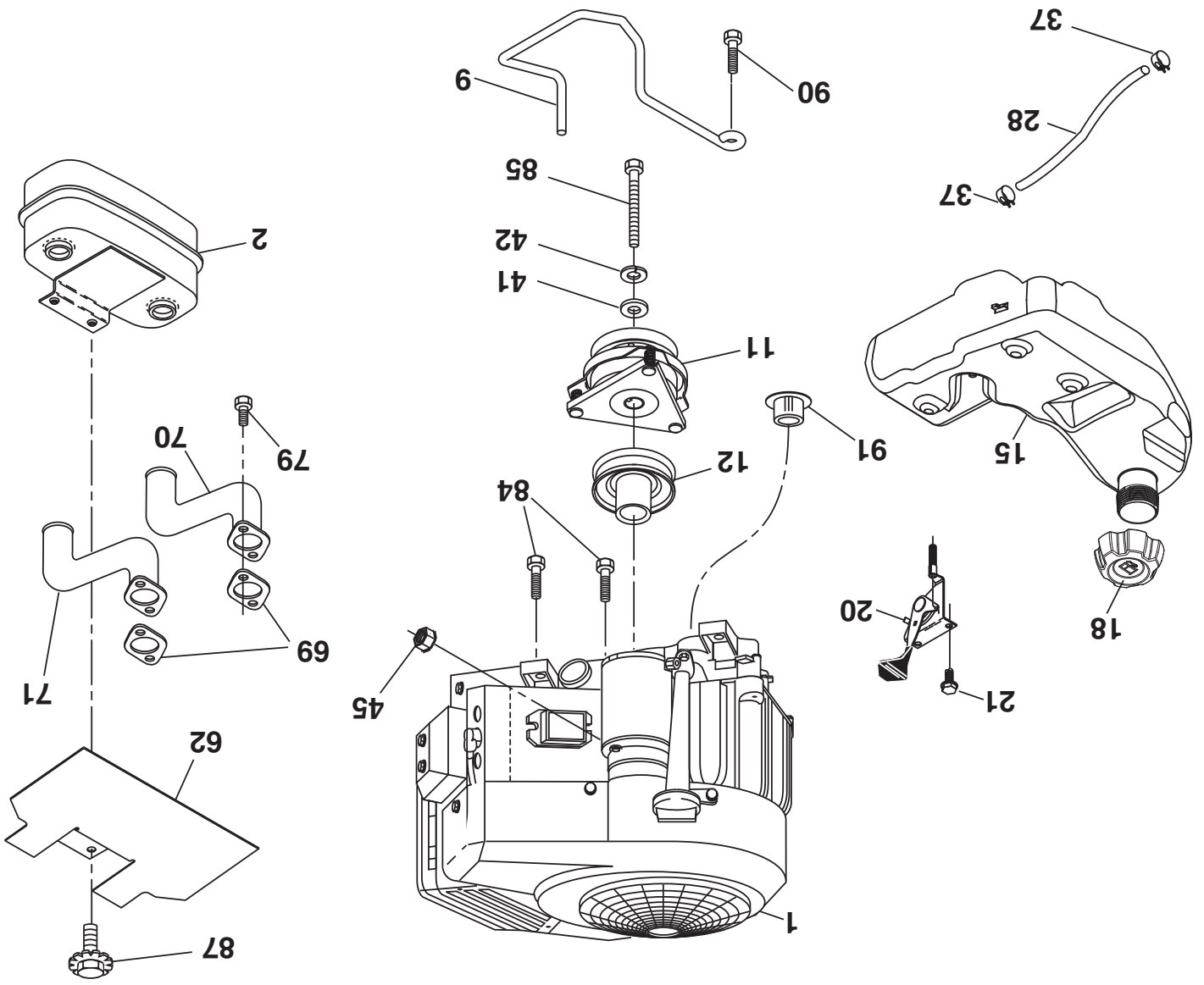
REMARQUE: Toutes les dimensions de composant sont données en pouce d'E.-U. - - 1 pouce = 25,4 mm.

Pour des pièces de service et de rechange de moteur, réclamez le numéro de téléphone libre pour votre fabricant de moteur énuméré ci-dessous:

Briggs & Stratton 1-800-233-3723

Informations concernant la puissance théorique du moteur

La puissance brute pour chaque Modèle de moteur à essence est indiquée conformément au code J1940 (procédure de calcul de la puissance et du couple des petits moteurs) de la SAE (Society of Automotive Engineers) et les performances théoriques ont été obtenues et corrigées selon SAE J1995 (révision 2002-05). Les valeurs de couple sont calculées sur la base de 3060tr/min et celles de puissance sur la base de 3600tr/min. La puissance brute réelle du moteur peut être plus faible notamment à cause des conditions de fonctionnement et des variations d'un moteur à l'autre. Compte tenu de la grande variété de machines sur lesquelles nos moteurs sont utilisés et du nombre de problèmes environnementaux applicables au fonctionnement des équipements, il se peut que le moteur à essence ne développe sa puissance théorique une fois qu'il est monté sur une machine particulière (puissance nette ou réelle « site»). Cette différence s'explique par un grand nombre de facteurs, tels que (liste non limitative): accessoires (filtre à air, échappement, admission, refroidissement, carburateur, pompe à essence, etc.), limites d'utilisation, conditions ambiantes d'utilisation (température, humidité, altitude) et variations d'un moteur à l'autre. Pour des raisons de fabrication et de capacité limitées, Briggs & Stratton est susceptible de remplacer ce Modèle par un moteur plus puissant.



TRACTEUR - - NUMÉRO DE MODÈLE 944.602680

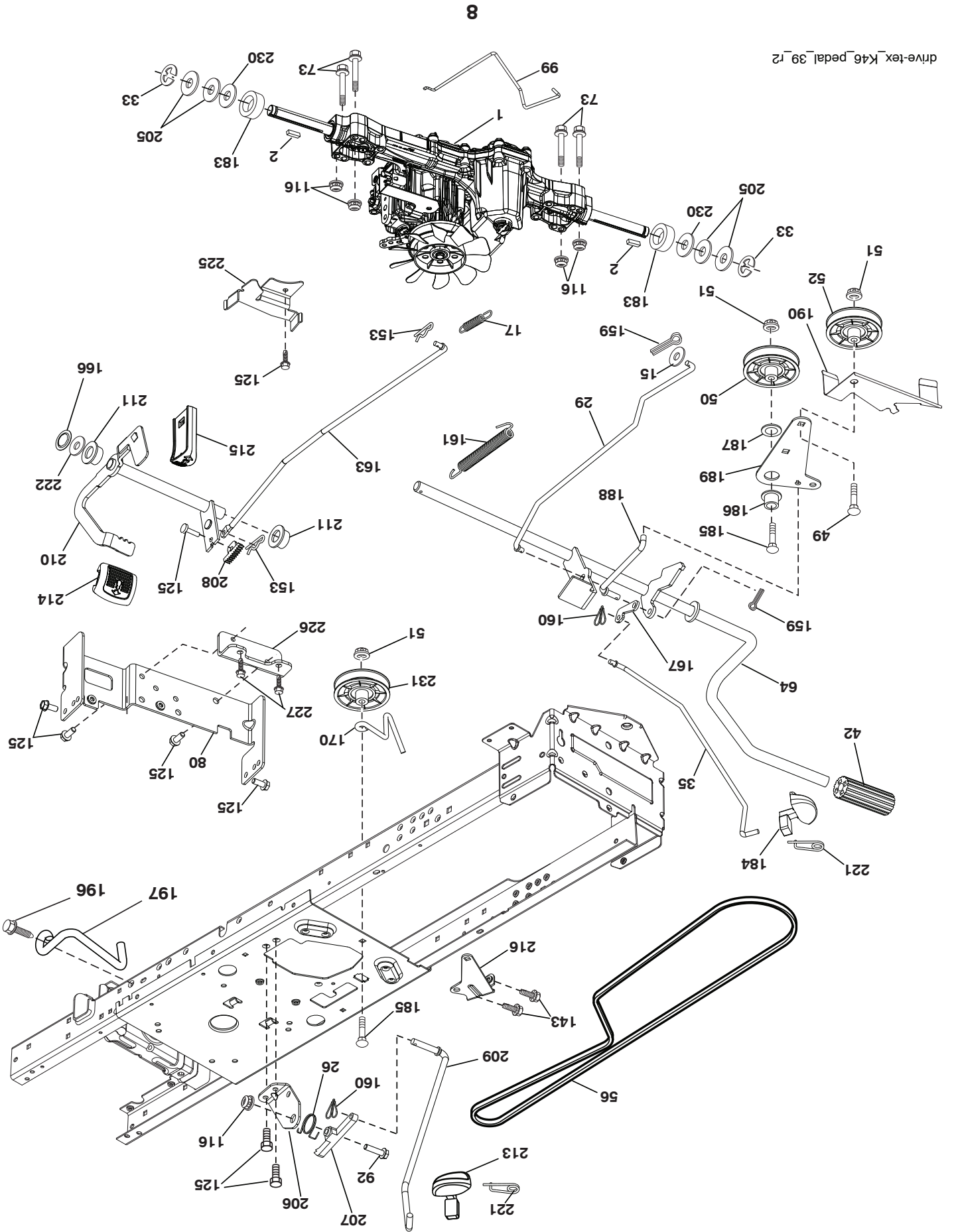
ENTRAÎNEMENT

NO.	DE	PIÈCE	DESCRIPTION	NO.	DE	PIÈCE	DESCRIPTION
1	---	---	Transmission, Tufftorq K46BT (426120) (Voir la assemblage de transmission.)	187	19133210	188	Rondelle
2	123583X	19131316	Cle	188	194323	189	Lien d'embrayage
15	19131316	19678	Rondelle 13/32 x 13/16 x 16 Ja.	189	194317	190	Commande au sol de balancier
17	413678	19679	Ressort	190	194318	191	Garde
26	19679	403806	Ressort	191	121748X	192	Anti-rotation d'embrayage de lien
29	403806	197867	Tige du frein	192	197867	205	Rondelle
33	12000001	197868	Bague en E	206	197867	206	Support
35	435486	197869	Tige du frein de stationnement	207	197868	207	Commandez le verrou de croisière
42	8883R	197869	Couverture de la pédale	208	197869	208	Boulon-Commandez la croisière
49	72110614	197869	Boulon	209	199592	209	Commandez la croisière Rod
50	194327	197869	Poulie du galet-tendeur	210	400980	210	Culbuteur Assembly de commande
51	73900600	120183X	Ecrou 3/8-16	211	120183X	211	Roulement en nylon
52	194326	196441X428	Galet-tendeur	213	196441X428	213	Commandez le bouton de croisière
56	130969	421263	Ceinture trapézoïdale	214	421263	214	Pédale vers l'avant
64	197865	197301X428	Axe	215	197301X428	215	Pédale renversée
73	74490540	196131	Boulon 5/16-18 Cat. 5	216	196131	216	Poulie du galet-tendeur
80	440619	403187	Courroie de couple	221	403187	221	Ressort
92	74760520	79212010	Boulon 5/16-18 unc x 1.25	222	79212010	222	Rondelle
99	415742	403319	Tige	225	403319	225	Garde
116	73900500	401564	Ecrou 5/16-18	226	401564	226	Support
125	17000512	17490512	Vis 5/16-18 x 3/4	227	17490512	227	Vis
143	17490508	188967	Vis 5/16-18 x 1/2	230	188967	230	Rondelle
153	4497H	407287	Ressort	231	407287	231	Poulie
159	76020412		Pin 1/8 x 3/4				
160	169484		Goupille fendue				
161	105709X		Ressort				
163	401034		De commande triangle de pédale				
166	429164		Ecrou				
167	405257		Frein à main				
170	413430		Garde				
183	137057		Axe				
184	196439X667		Poignée de frein à main				
185	72110622		Boulon				
186	194321		Arrêt de l'entretoise				

REMARQUE: Toutes les dimensions de composant sont données en pouce d'E.-U. - - 1 pouce = 25,4 mm.

ENTRAÎNEMENT

TRACTEUR - - NUMÉRO DE MODÈLE 944.602680



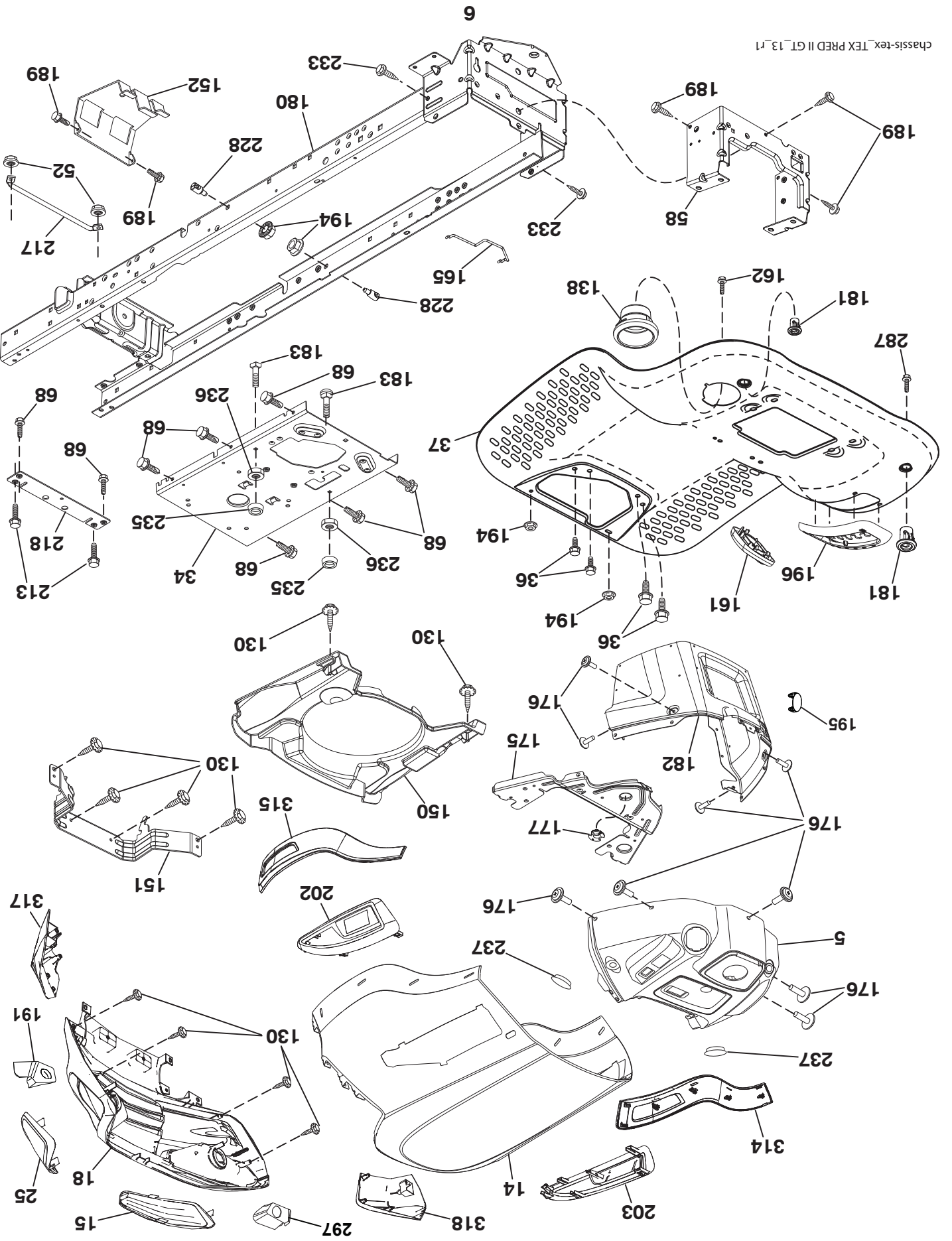
TRACTEUR - - NUMÉRO DE MODÈLE 944.602680
CHÂSSIS/ENCEINTES

NO.	DE	REF.	PIECE	DESCRIPTION
5		424927X428	Applique	
14		421154X428	Capot	
15		421493X599	Lentilles C.G.	
18		441721X428	Grille	
25		421494X599	Lentilles C.D	
34		447253	Plaque de moteur	
36		17060512	Vis 5/16-18 x 3/4	
37		414878X428	Aile	
52		73680500	Ecrou 5/16-18	
58		412280	Barre D'attelage	
68		17490508	Vis 5/16-18 x 1/2	
130		416358	Vis #10 x 0.750	
138		193224X428	Support du tasse	
150		19411	Canalisation	
151		445494	Capot de pivot de Support	
152		199535	Deflecteur	
161		193229X428	Fenêtre de combustible	
162		142432	Vis 1/4 x 1/2	
165		196826	Soutien du support	
175		196304	Pièce d'entretoisement	
176		400776	Vis	
177		195227	Douille direction	
180		415063	Châssis	
181		193102X428	Douille	
182		406859	Tableau de bord	
183		74520520	Boulon 5/16-18 x 1-1/4	
189		17000512	Vis 3/8-16 x 3/4	
191		425407	Insert (C.D.)	
194		73900500	Ecrou 5/16-18	
195		401556X428	Pièce de tirêt	
196		431658	Panneau du tableau de bord	
202		441726X428	Ventile C.D.	
203		441727X428	Ventile C.G.	
213		74760512	Boulon 5/16-18 unc x 3/4	
217		409167	Tige	
218		196395	Coussin morceau x pièce	
228		195161	Attache De Goujon	
233		196539	Boulon	
235		406129	Entretoise	
236		73930500	Ecrou 5/16-18 unc	
237		403704	Pièce de caraison de bâti	
287		17600406	Vis 1/4-20 x 3/8	
297		425406	Insert (C.G.)	
314		441674	Équillibre C.G.	
315		441673	Équillibre C.D.	
317		421257X428	Coin de chapeau C.D.	
318		421258X428	Coin de chapeau C.G.	

REMARQUE: Toutes les dimensions de composant sont données en pouce d'E.-U. - - 1 pouce = 25,4 mm.

TRACTEUR - - NUMÉRO DE MODÈLE 944.602680

CHÂSSIS/ENCEINTES



TRACTEUR - - NUMÉRO DE MODÈLE 944.602680

ELECTRIQUE

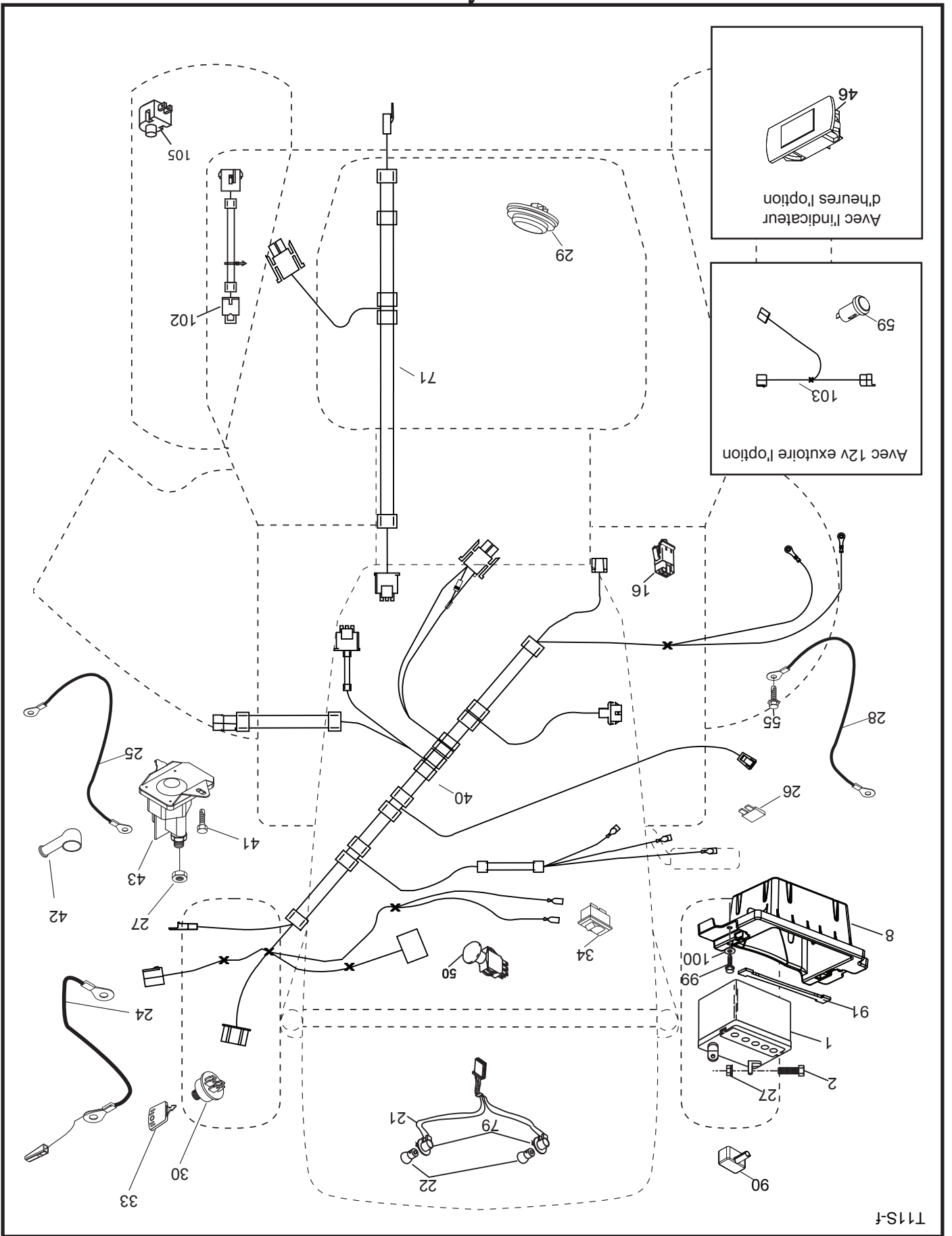
NO.	DE	REF.	PIECE	DESCRIPTION
1		163465	Batterie	
2		74760412	Boulon 1/4-20 unc x 3/4	
8		186491	Bac de batterie	
16		176138	Interrupteur de verrouillage pressé	
21		400252	Harnais des prises de courant des phares	
22		4152J	Ampoule N°1156	
24		400253	Câble de batterie	
25		412895	Câble de batterie de 6 ja. avec un fil de 16 po. - rouge	
26		175158	Fusible	
27		73510400	Écrou 1/4-20 unc	
28		145491	Câble de masse de 6 ja. de 21" - noir	
29		401545	Interrupteur	
30		193350	Contacteur d'allumage	
33		411934	Clé/Chaîne	
34		110712X	L'Interrupteur des phares	
40		401104	Harnais Tableau De Bord/D'élévation	
41		17720408	Vis 1/4-20 x 1/2	
42		131563	Couverture de borne	
43		192507	Solénoïde	
46		401763	Compteur horaire rond	
50		174653	Interrupteur, PTO	
55		17060512	Vis 5/16-18 x 3/4	
71		194276	Harnais des câbles d'allumage	
79		175242	Douille ensemble ampoule torsion serrure	
90		435395	Couverture	
91		190270	Attache	
99		17670412	Vis 1/4-20 x 3/4	
100		19091416	Rondelle 9/32 x 7/8 x 16 Ja.	
102		404454	Harnais K46	
105		407568	Interrupteur, Inverse	

REMARQUE: Toutes les dimensions de composant sont données en pouce d'E.-U. - - 1 pouce = 25,4 mm.

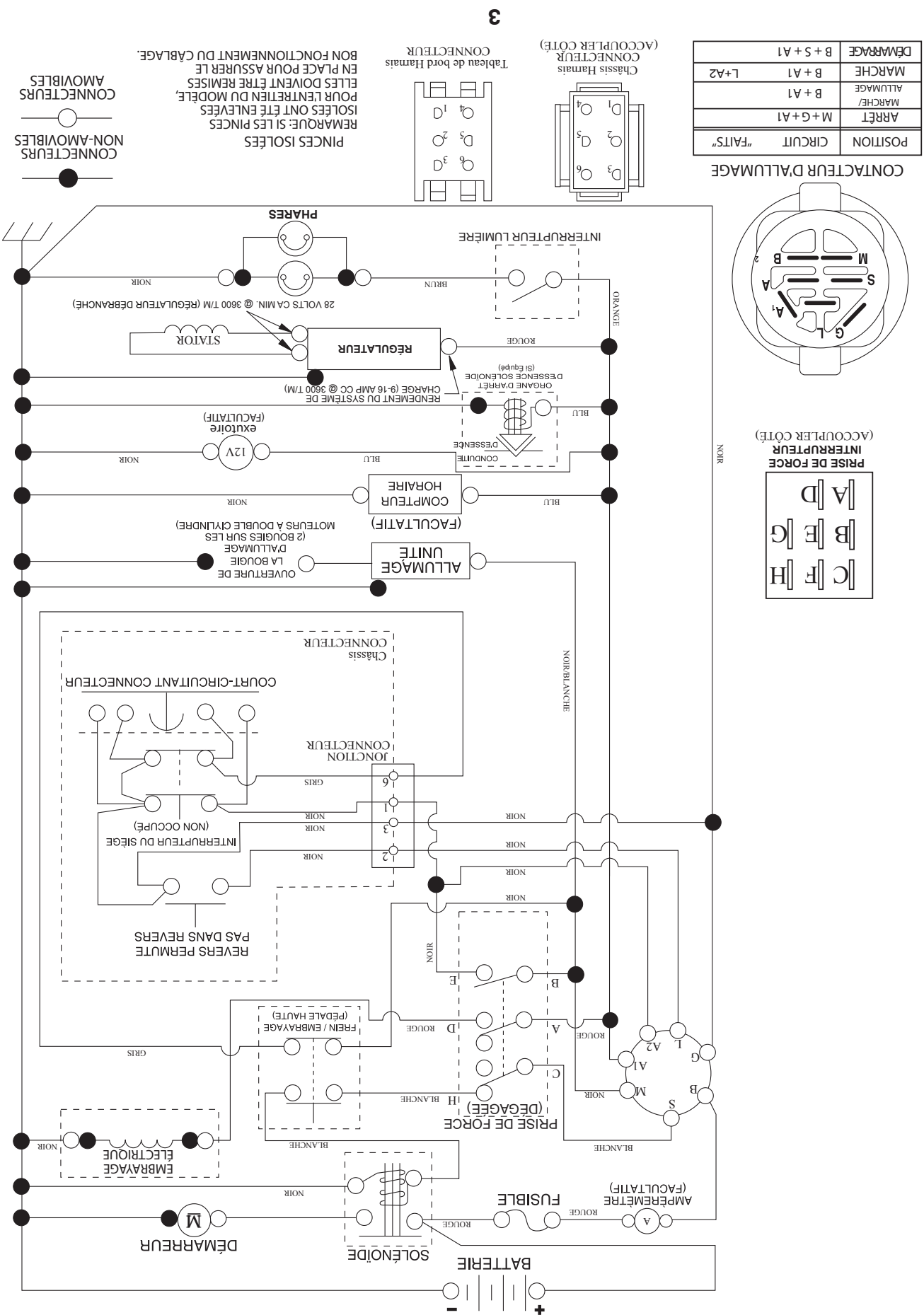
TRACTEUR -- NUMÉRO DE MODÈLE 944.602680

ELECTRIQUE

T11S-f

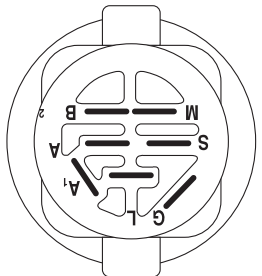


TRACTEUR - - NUMÉRO DE MODÈLE 944.602680

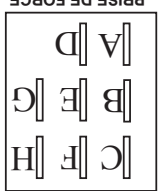


POSITION	CIRCUIT	"FAITS"
ARRÊT	M+G+A1	
MARCHE/ALLUMAGE	B+A1	
MARCHE	B+A1	
DÉMARRAGE	B+S+A1	
L+A2		

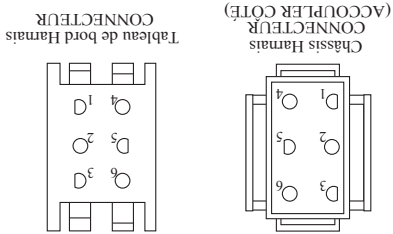
CONTACTEUR D'ALLUMAGE



PRISE DE FORCE INTERRUPTEUR (ACCOUPLER CÔTÉ)



3



PINCES ISOLÉES
REMARQUE: SI LES PINCES ISOLÉES ONT ÉTÉ ENLEVÉES ELLES DOIVENT ÊTRE REMISES POUR L'ENTRETIEN DU MODÈLE. EN PLACE POUR ASSURER LE BON FONCTIONNEMENT DU CABLAGE.

CONNECTEURS AMOVIBLES
CONNECTEURS NON-AMOVIBLES

COMMENT UTILISER CE MANUEL

Ce manuel a été dessiné pour fournir le client avec les moyens d'identification des pièces de détails du tracteur quand il/elle a besoin de commander les pièces de rechange. Les illustrations ne peuvent pas représenter exactement le modèle que vous avez acheté. N'utilisez pas ce manuel comme un guide dans le montage et/ou démontage de votre tracteur. La visserie montrée est plus grande pour faciliter l'identification.

Chaque tracteur a un numéro de modèle particulier.

Le numéro de modèle du produit se trouvera sur l'aile, dessous le siège.

Lorsque vous commandez des pièces de rechange, donnez toujours les renseignements suivants:

- Produit - "TRACTEUR"
- NUMÉRO DU MODÈLE - "944.602820"
- Numéro de la Pièce
- Description de la Pièce

TABLE DE MATIERES

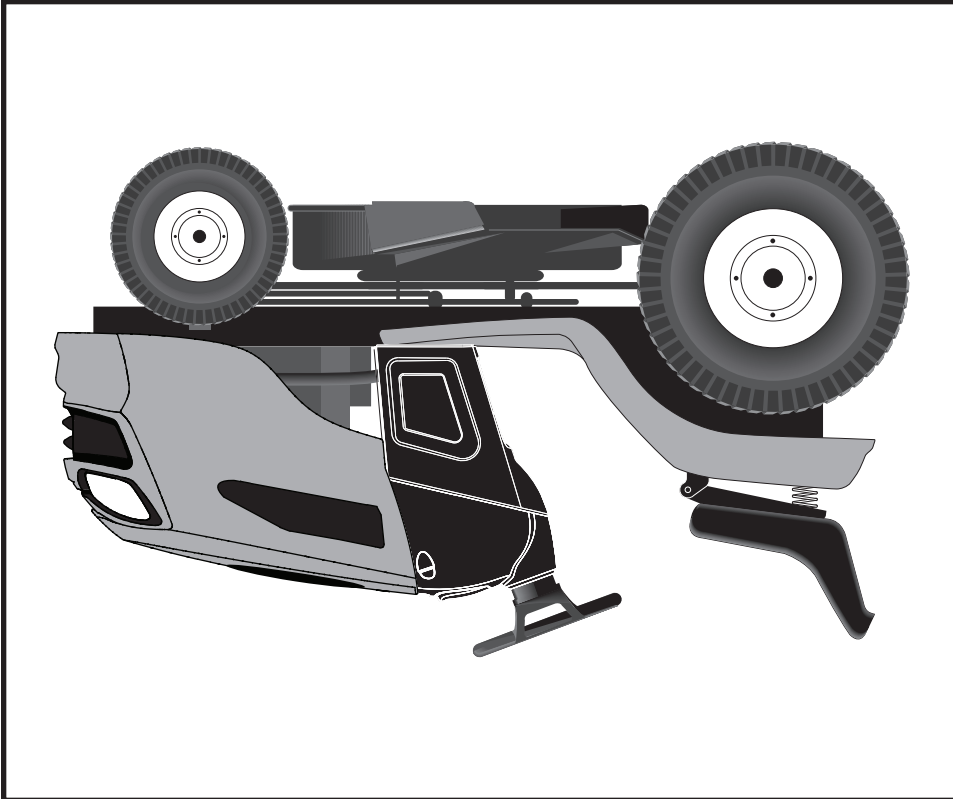
SCHEMA.....	3
ELECTRIQUE.....	4-5
CHASSIS/ENCEINTES.....	6-7
ENTRAÎNEMENT.....	8-9
MOTEUR.....	10-11
ENSEMBLE DE LA DIRECTION.....	12-13
CARTER DE TONDEUSE.....	14-15
LEVAGE DE LA TONDEUSE.....	16
ENSEMBLE DU SIÈGE.....	17
DECALCOMANIES.....	18
VOYEZ LES DÉTAILS DE MOTOR.....	19-23
VOYEZ LES DÉTAILS DE TRANSMISSION.....	24-25
GARANTIE.....	26
ENTRETIEN DE "SEARS".....	28

Sears Canada, Inc., Toronto, Ontario M5B 2B8

*As estimé par le fabricant de moteur

Vous pouvez utiliser de l'essence contenant jusqu'à 10 % d'éthanol (E10) avec cet appareil. L'utilisation d'essence contenant plus de 10 % d'éthanol annulera la garantie du produit.

**26.0 C.V.*
DÉMARRAGE ÉLECTRIQUE
TONDEUSE DE 137 CM (54 PO.)
AUTOMATIQUE
TRACTEUR DE PELOUSE**



SEARS
MANUEL DES
PIÈCES DE
RECHANGE

NUMÉRO DE
MODÈLE
944.602680

Importante:
Lisez et suivez le
mode d'emploi et
toutes les règles
de sécurité avant
d'utiliser cet
équipement