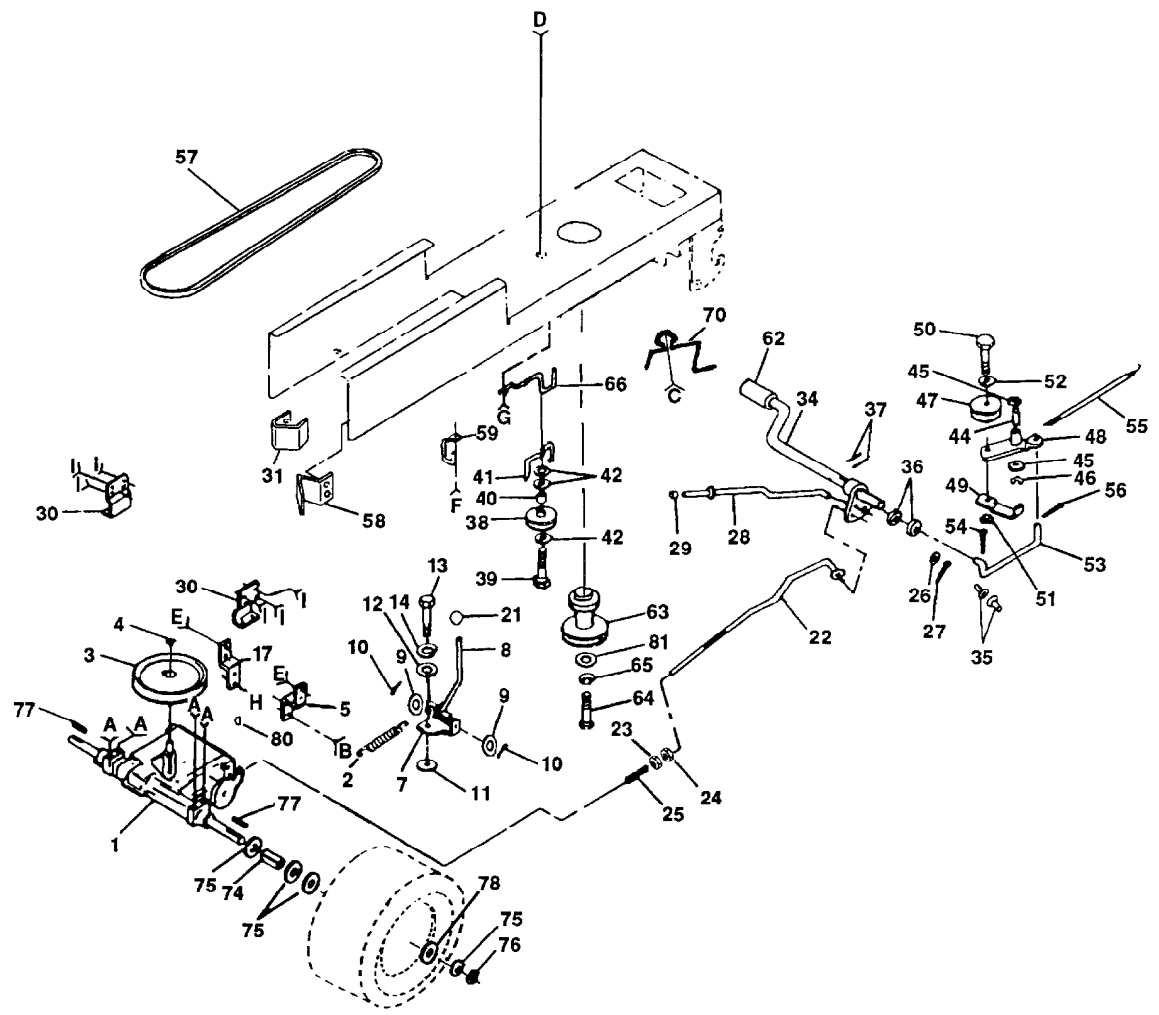


Same as a 944.603220

12 HP 38" RIDING LAWN TRACTOR - - MODEL NUMBER AYP7122A29
DRIVE



- | | | | | | | | | |
|----------|----------|----------|----------|----------|----------|----------|----------|----------|
| A | B | C | D | E | F | G | H | I |
| 15 | 6 | 71 | 43 | 18 | 61 | 67 | 20 | 32 |
| 79 | 72 | 72 | 19 | 60 | 68 | 69 | 33 | |
| 16 | 73 | | | | | | | |

Ref #	Part Number	Qty	Description
1			REFER TO IMAGE
2	110422X		SUB= 146682
3	123666X		PULLEY TRANS
4	12000028		SUB= 2267J
5	121520X		STRAP TORQUE
6	17490512		SCREW
7	106919X		PLATE SHIFT LT
8	133428		SHIFTER ROD
9	19151216		WASHER
10	7602-416		SUB= 76020416
11	105701X		WASH-SHFT PLT LT
12	19091210		WASHER LT
13	71040412		SUB= 74550412
14	10040400		LOCKWASHER
15	74760540		BOLT
16	73680500		SUB= 73690500
17	121520X		STRAP TORQUE
18	74760612		SUB= 74780612
19	73680600		SUB= 73690600
20	17490512		SCREW
21	106933X		KNOB T (1/2-HOLE)
22	131867		BRAKE ROD
23	73800600		NUT
24	7335600		SUB= 73350600
25	106888X		SPRING ROD LT
26	19131316		WASHER
27	76024012		SUB= 76020412
28	128904		PARKING BRAKE ROD
29	71673		PLUNGER CAP T
30	109167X		BRACKET LT
31	127275X		"KEEPER,BELT LH T"
32	74760612		SUB= 74780612
33	73680600		SUB= 73690600
34	122424X		SUB= 149001
35	120183X		NYLON BEARING
36	19211616		WASHER LT
37	1572H		SUB= 2882J
38	123674X		PULLEY.IDLER.FLAT
39	74760644		BOLT
40	4470J		SPACER T
41	109070X		BELT KEEPER LT
42	19131312		WASHER
43	73680600		SUB= 73690600
44	105706X		"LY, BEARING"
45	110812X		WASHER LT
46	12000039		KLIP RING
47	127783		SUB= 139245
48	123789X		ARM IDLER
49	123205X		RETAIN BELT
50	74760624		SUB= 74930624
51	73680600		SUB= 73690600
52	19131316		WASHER
53	105710X		"LINK, CLUTCH T"
54	76024012		SUB= 76020412
55	105709X		"SPRING, RETURN LT"
56	76024012		SUB= 76020412
57	125907X		BELT-V.90.0.GD.DR
58	127274X		"KEEPER,BELT RH T"
59	104777X		SUB= 140312
60	19131312		WASHER

Ref #	Part Number	Qty	Description
60	19131312		WASHER
61	17490612		SCREW
62	8883R		PEDAL COVER T
63	131002		SUB= 136004
64	71170768		SUB= 150280
65	10040700		LOCKWASHER
66	129921		KEEPER.BELT.ENG.L
67	74760616		BOLT
68	19131312		WASHER
69	73680600		SUB= 73690600
70	131402		GUIDE BLT DR MWR
71	74760616		BOLT
72	19132012		WASHER
73	73680600		SUB= 73690600
74	109501X		SUB= 137057
75	121749X		WASHER
76	12000001		E-RING LT
77	123583X		SQUARE KEY
78	121748X		WASHER
79	19111116		WASHER
80	2228M		SUB= 2228M1
81	126197X		WASHER