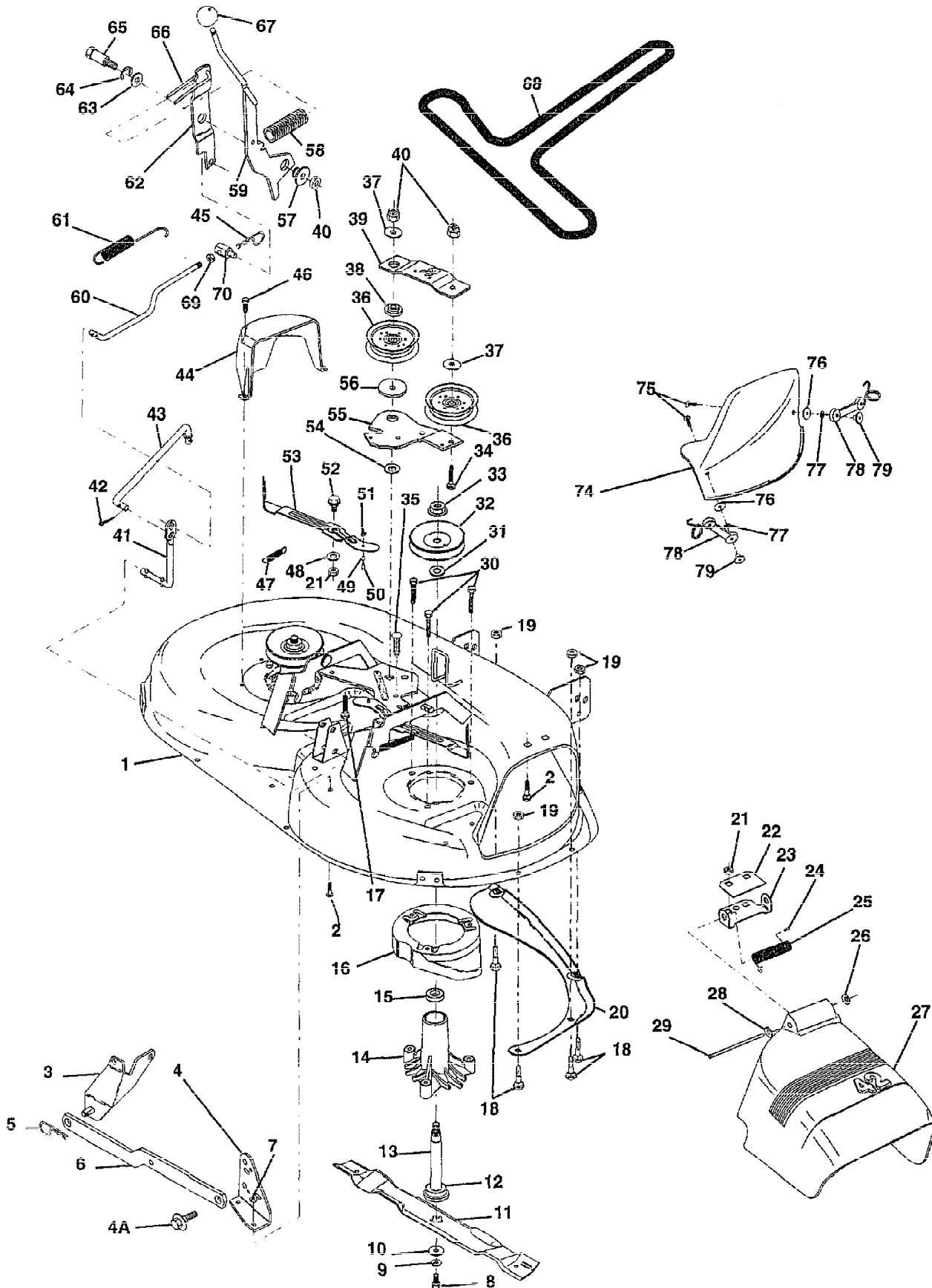


# 14 HP 42" TRACTOR - - MODEL NUMBER 2K4B9A

## 42" MOWER DECK



| Ref # | Part Number | Qty | Description         |
|-------|-------------|-----|---------------------|
| 1     | 138024      |     | SUB= 145338         |
| 2     | 72140506    |     | BOLT                |
| 3     | 138017      |     | BRKT ASM SWAY BAR   |
| 4     | 138440      |     | BRKT DECK SW BAR    |
| 4A    | 132827      |     | BOLT SHD 5/16-18    |
| 5     | 4939M       |     | SUB= 85902          |
| 6     | 130832      |     | SUB= 130833         |
| 7     | 73800500    |     | NUT                 |
| 8     | 850857      |     | BLADE BOLT          |
| 9     | 10030600    |     | SUB= 10040600       |
| 10    | 140296      |     | WASHER.HARD.BLADE   |
| 11    | 134149      |     | "BLADE.42" MULCHER" |
| 12    | 129895      |     | BEARING.BALL        |
| 13    | 137645      |     | SUB= 137646         |
| 14    | 128774      |     | HSG ASM MANDREL     |
| 15    | 110485X     |     | BEARING             |
| 16    | 136929      |     | SUB= 140329         |
| 17    | 72110618    |     | BOLT CARRIAGE       |
| 18    | 72140505    |     | BOLT                |
| 19    | 73800500    |     | NUT                 |
| 20    | 136888      |     | SUB= 918136888      |
| 21    | 73680500    |     | SUB= 73690500       |
| 22    | 134753      |     | STIFFENER BRKT      |
| 23    | 131267      |     | DEFLECTOR BRKT      |
| 24    | 105304X     |     | CAP-SLEEVE LT       |
| 25    | 123713X     |     | SPRING TORSION      |
| 26    | 110452X     |     | NUT PUSH M          |
| 27    | 130968      |     | DEFLECTOR.SHIELD    |
| 28    | 19111016    |     | WASHER              |
| 29    | 131491      |     | HINGE ROD           |
| 30    | 138776      |     | SUB= 157722         |
| 31    | 137266      |     | SUB= 139729         |
| 32    | 129861      |     | SUB= 153535         |
| 33    | 137266      |     | SUB= 139729         |
| 34    | 72110614    |     | BOLT                |
| 35    | 133835      |     | XMAS TREE FASTNER   |
| 36    | 131494      |     | FLAT IDLER PULLEY   |
| 37    | 19131612    |     | WASHER GT           |
| 38    | 133502      |     | RETAINER SPACER     |
| 39    | 133503      |     | IDLER ARM STIFF     |
| 40    | 73680600    |     | SUB= 73690600       |
| 41    | 133551      |     | PIVOT ROD           |
| 42    | 76020312    |     | SUB= 3145           |
| 43    | 133504      |     | CLUTCH ROD SECOND   |
| 44    | 140088      |     | GUARD MAND LH BLK   |
| 45    | 4497H       |     | RETAINER M          |
| 46    | 137729      |     | SCREW.1/4-20X5/8    |
| 47    | 131335      |     | SPRING EXTENSION    |
| 48    | 133944      |     | HARD SMALL WASHER   |
| 49    | 133940      |     | SUB= 151785         |
| 50    | 131340      |     | SHOULDER BOLT       |
| 51    | 69180       |     | LOCKNUT             |
| 52    | 139888      |     | BOLT.SHLD.5/16-18   |

| Ref # | Part Number | Qty | Description       |
|-------|-------------|-----|-------------------|
| 53    | 131845      |     | BRAKE PAD ARM ASM |
| 54    | 133943      |     | HARDENED WASHER   |
| 55    | 133844      |     | IDLER ARM         |
| 56    | 122052X     |     | SPACER RETAINER   |
| 57    | 127498      |     | BUSHING           |
| 58    | 128759      |     | SUB= 918128759    |
| 59    | 133573      |     | CLUTCH ARM PRI AS |
| 60    | 133550      |     | SUB= 142427       |
| 61    | 131870      |     | RETURN SPRING     |
| 62    | 127847      |     | CLUTCH ARM SECOND |
| 63    | 121748X     |     | WASHER            |
| 64    | 12000029    |     | RING              |
| 65    | 128903      |     | SHOULDER BOLT     |
| 66    | 127845      |     | SPRING KEEPER     |
| 67    | 106932X     |     | KNOB T(3/8 HOLE)  |
| 68    | 130969      |     | BELT-V.92.4.MWR   |
| 69    | 73350600    |     | NUT               |
| 70    | 133205      |     | TRUNION           |
| 74    | 136420      |     | "COVER.MULCH.42"" |
| 75    | 71161010    |     | SCREW             |
| 76    | 19061216    |     | WASHER #10        |
| 77    | 10071000    |     | LOCKWASHER        |
| 78    | 130758      |     | SUB= 160793       |
| 79    | 2029J       |     | WELDNUT           |
|       | 130794      |     | MANDREL ASM       |
|       | 138358      |     | SUB= 145411       |