

SEARS
REPAIR PARTS
MANUAL

**MODEL NO.
944.603620**

**Important:
Read and follow
all Safety Rules
and Instructions
Before Operating
This Equipment.**



CRAFTSMAN®

**22.0 HP*
ELECTRIC START
42" MOWER
AUTOMATIC TRANSMISSION
LAWN TRACTOR**

**Gasoline containing up to 10% ethanol (E10) is acceptable for use in this machine.
The use of any gasoline exceeding 10% ethanol (E10) will void the product warranty.**

*As rated by the engine manufacturer

Sears Canada, Inc., Toronto, Ontario M5B 2B8

HOW TO USE THIS MANUAL

This manual is designed to provide the customer with a means to identify the parts on his/her tractor when ordering repair parts. The illustrations may or may not represent the actual assemblies; therefore, it is not recommended to use this manual as a guide to assemble or disassemble the tractor. Some hardware and parts are drawn larger in order to more readily identify them.

Each tractor has its own model number.

The model number for your tractor can be found on the fender under the seat.

When ordering parts, always give the following information:

- Product - "Tractor"
- MODEL NUMBER - "944.603620"
- Part Number
- Part Description

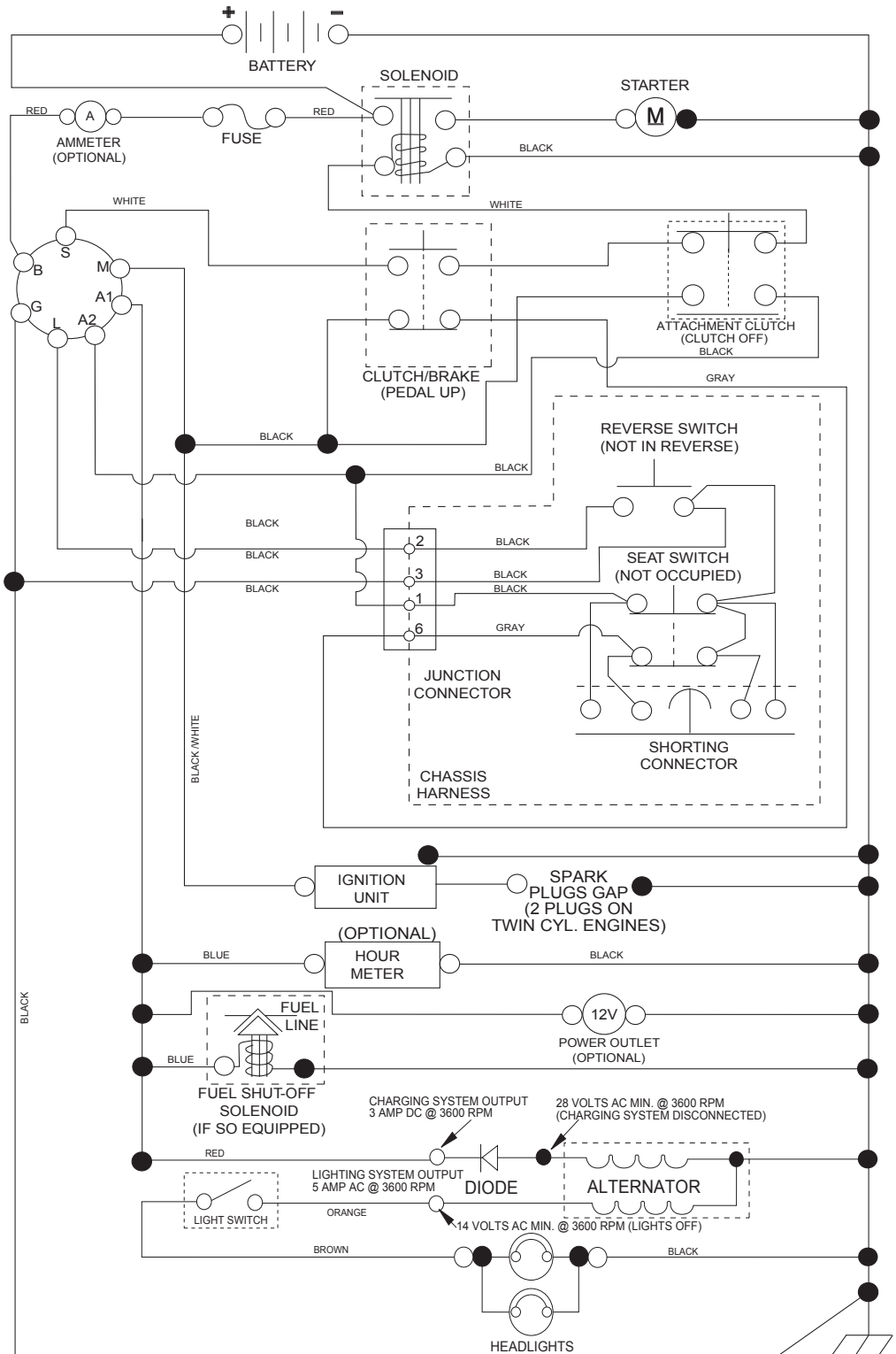
TABLE OF CONTENTS

SCHEMATIC	3
ELECTRICAL.....	4-5
CHASSIS	6-7
DRIVE.....	8-9
ENGINE.....	10-11
STEERING	12
SEAT	13
MOWER DECK	14-15
MOWER LIFT.....	16
DECALS.....	17
TRANSAXLE BREAKDOWN	18-19
ENGINE BREAKDOWN.....	20-25
SEARS SERVICE	26

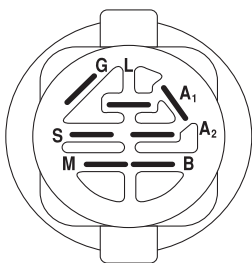
TRACTOR - - MODEL NUMBER 944.603620

SCHEMATIC

SCH11

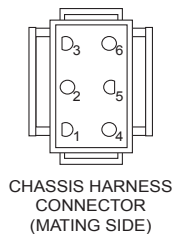


NOTE
YOUR TRACTOR IS EQUIPPED WITH A SPECIAL ALTERNATOR SYSTEM. THE LIGHTS ARE NOT CONNECTED TO THE BATTERY, BUT HAVE THEIR OWN ELECTRICAL SOURCE. BECAUSE OF THIS, THE BRIGHTNESS OF THE LIGHTS WILL CHANGE WITH ENGINE SPEED. AT IDLE THE LIGHTS WILL DIM. AS THE ENGINE IS SPEEDED UP, THE LIGHTS WILL BECOME THEIR BRIGHTEST.



IGNITION SWITCH

POSITION	CIRCUIT	"MAKE"
OFF	M+G+A1	
RUN/OVERRIDE	B+A1	
RUN	B+A1	L+A2
START	B + S + A1	



CHASSIS HARNESS CONNECTOR (MATING SIDE)



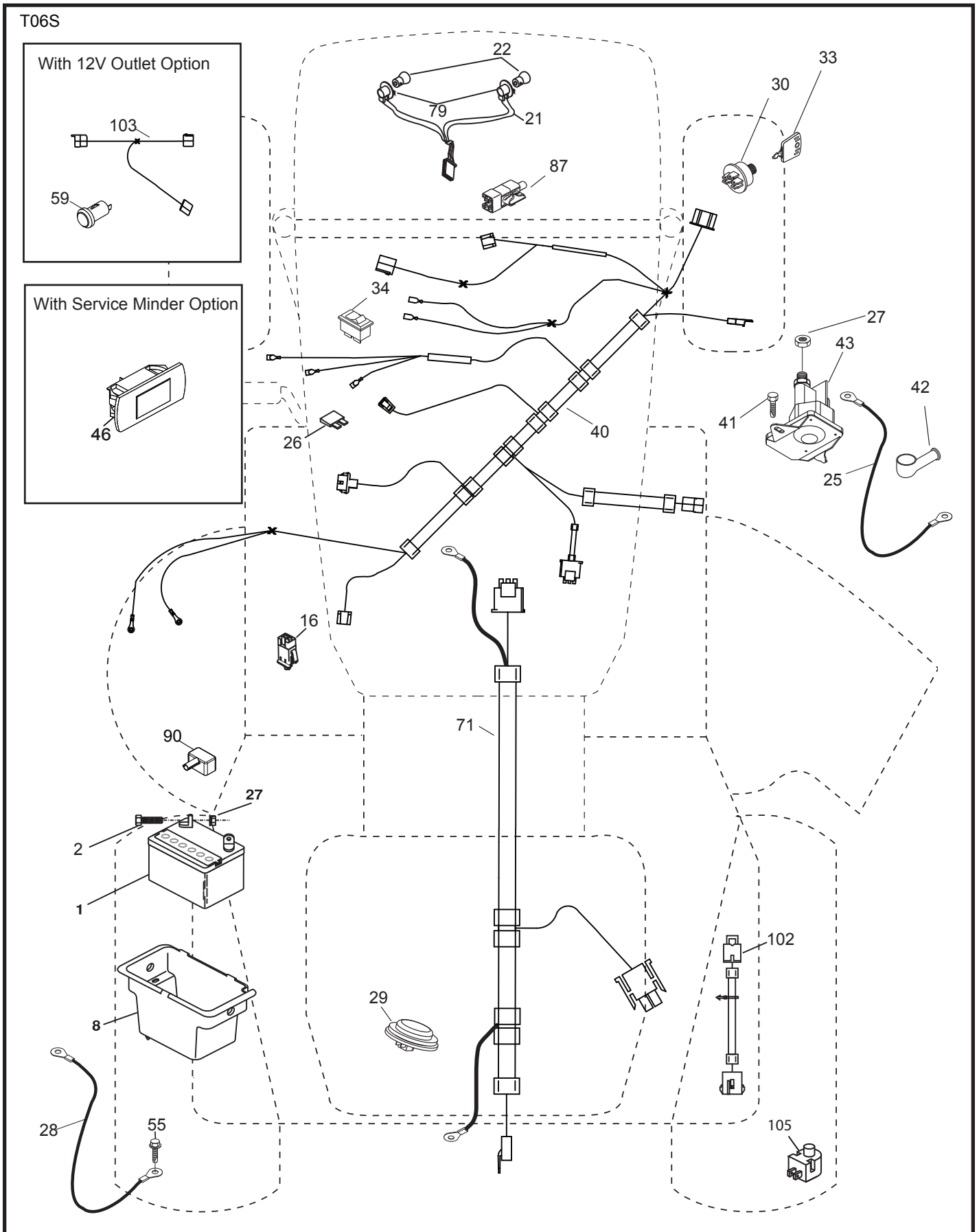
DASH HARNESS CONNECTOR (MATING SIDE)

WIRING INSULATED CLIPS
NOTE: IF WIRING INSULATED CLIPS WERE REMOVED FOR SERVICING OF UNIT, THEY SHOULD BE RE-INSTALLED TO PROPERLY SECURE YOUR WIRING.

NON-REMOVABLE CONNECTIONS
REMOVABLE CONNECTIONS

TRACTOR - - MODEL NUMBER 944.603620

ELECTRICAL



TRACTOR - - MODEL NUMBER 944.603620

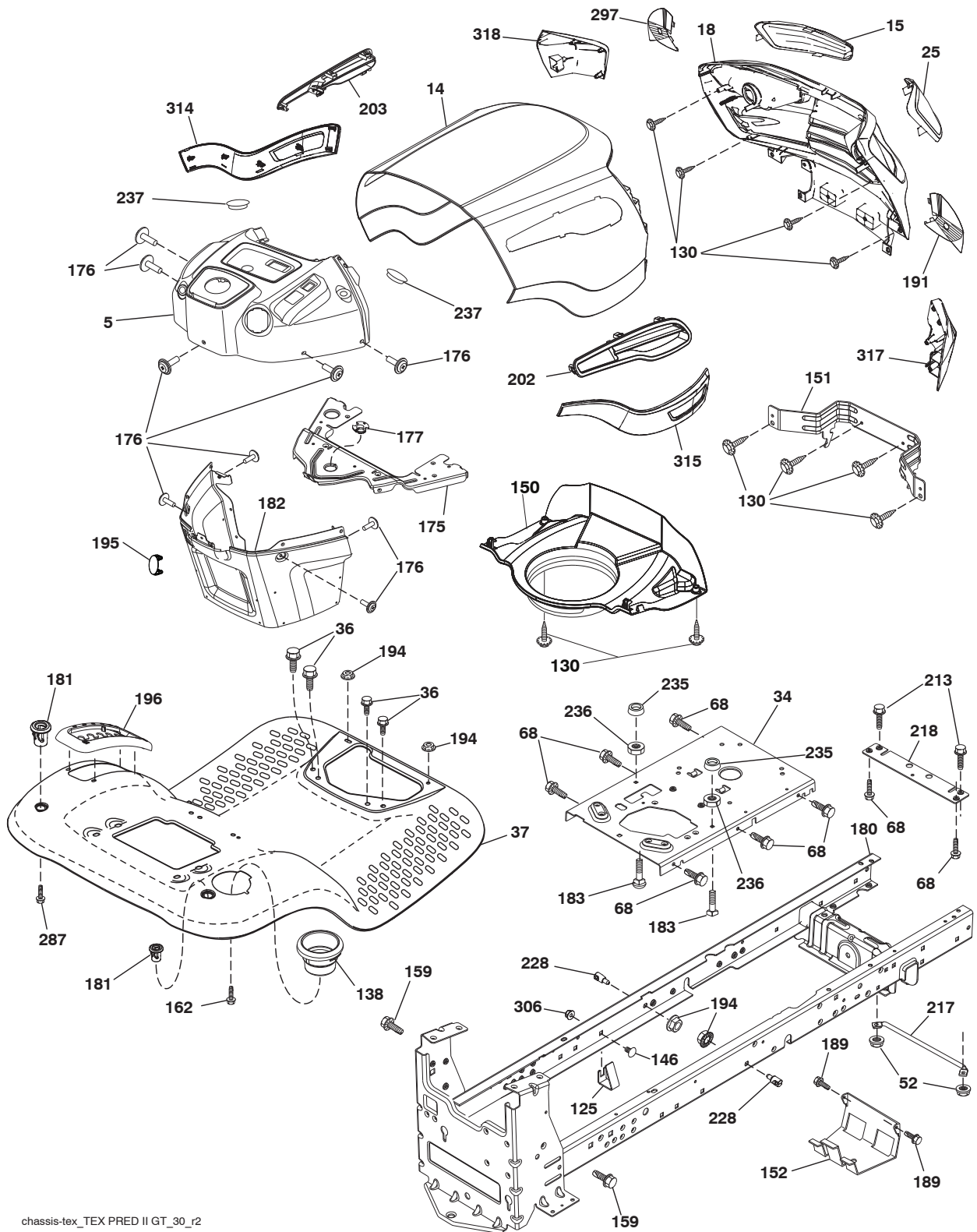
ELECTRICAL

KEY NO.	PART NO.	DESCRIPTION
1	163465	Battery
2	74760412	Bolt Hex Head 1/4-20 x 3/4
8	193228	Box Battery
16	176138	Switch Interlock Push-In
21	400252	Harness Socket Light w/4152J
22	4152J	Bulb Light
25	412895	Cable Start Red
26	175158	Fuse
27	73510400	Nut Keps Hex 1/4-20 unc
28	198885	Cable, Ground
29	401545	Switch, Seat
30	193350	Switch, Ignition
33	411934	Key/Chain
34	110712X	Switch Light / Reset
40	401098	Harness Ign. Dash (if equipped with front solenoid)
--	581023101	Harness Ign. Dash (if equipped with rear solenoid)
41	17720408	Screw Thd Cut 1/4-20 x 1/2
42	131563	Cover, Terminal
43	192507	Solenoid
55	17060512	Screw 5/16-18 x 3/4
71	400449	Harness Ign. Chassis (if equipped with front solenoid)
--	581023001	Harness Ign. Chassis (if equipped with rear solenoid)
79	175242	Bulbholder Asm. Incandescent
87	197802	Switch Interlock
90	435395	Cover Terminal Battery
102	404454	Harness Pigtail
105	407568	Switch Reverse

NOTE: All component dimensions given in U.S. inches
1 inch = 25.4 mm

TRACTOR - - MODEL NUMBER 944.603620

CHASSIS



chassis-tex_TEX PRED II GT_30_r2

TRACTOR - - MODEL NUMBER 944.603620

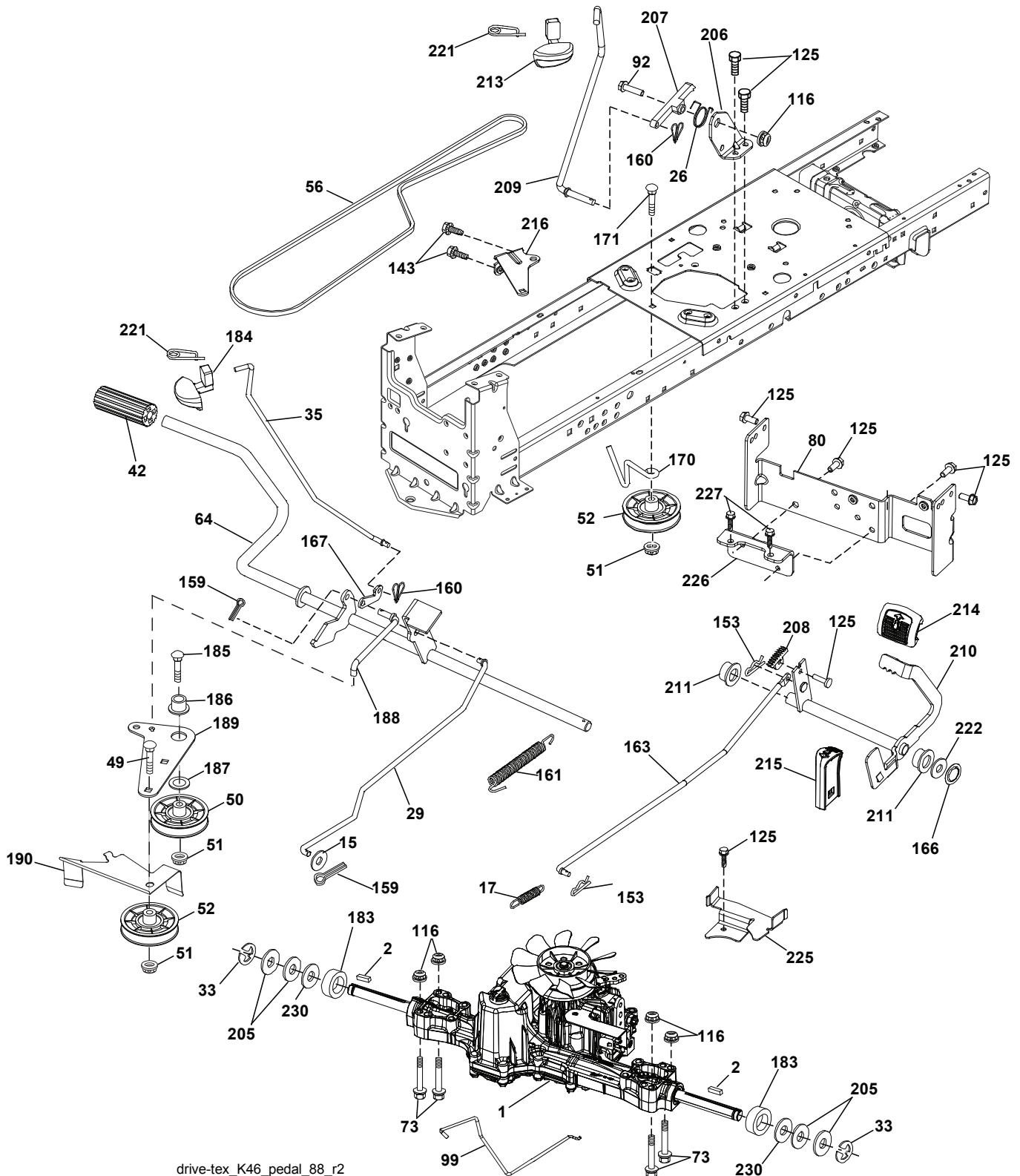
CHASSIS

KEY NO.	PART NO.	DESCRIPTION
5	421810X428	Dash
14	421154X615	Hood
15	421493X599	Lens LH
18	441721X428	Grille
25	421494X599	Lens RH
34	580910801	Plate Engine
36	17060512	Screw 5/16-18 x 3/4
37	414879X615	Fender
52	73680500	Nut Crown Lock 5/16-18
68	17490508	Screw Thdrol 5/16-18 x 1/2
130	416358	Screw #10 x 0.750 BOS Thread
138	193224X428	Cupholder
150	584862901	Duct Heat Hood
151	445494	Bracket Pivot
152	199535	Shield Browning/Debris
159	17000612	Screw 3/8-16 x 3/4
162	142432	Screw Hex Wsh Hi-Lo 1/4 x 1/2
175	196304	Crossmember
176	400776	Screw #10-24 x 5/8 Rnd Qudrx
177	195227	Bushing Steering
180	195457	Chassis
181	193102X428	Bushing Mtg. Fender Crgo.
182	406859	Dash Lower
183	74520520	Bolt 5/16-18 x 1-1/4
189	17000512	Screw 5/16-18 x 3/4
191	425407	Insert Reflective RH
194	73900500	Nut Lock Hex Flange 5/16-18
195	401556X428	Plug Hole Dash Lower
196	431658	Console Asm. Deck Lift
202	442489X428	Vent Side Hood RH
203	442490X428	Vent Side Hood LH
213	74760512	Bolt Hex HD 5/16-18 unc x 3/4
217	409167	Rod Pivot
218	196395	X-Piece Hood Stop
228	195161	Stud Fastener
235	406129	Spacer Fender
236	73930500	Nut Center Lock 5/16-18 unc
237	403704	Plug Mount
287	17600406	Screw 1/4 - 20 x 3/8
297	425406	Insert Reflective LH
314	442421	Trim SD LH
315	442420	Trim SD RH
317	421257X615	Cap Corner RH
318	421258X615	Cap Corner LH
--	404951X428	Plug Dash

NOTE: All component dimensions given in U.S. inches
1 inch = 25.4 mm

TRACTOR - - MODEL NUMBER 944.603620

DRIVE



drive-tex_K46_pedal_88_r2

TRACTOR - - MODEL NUMBER 944.603620

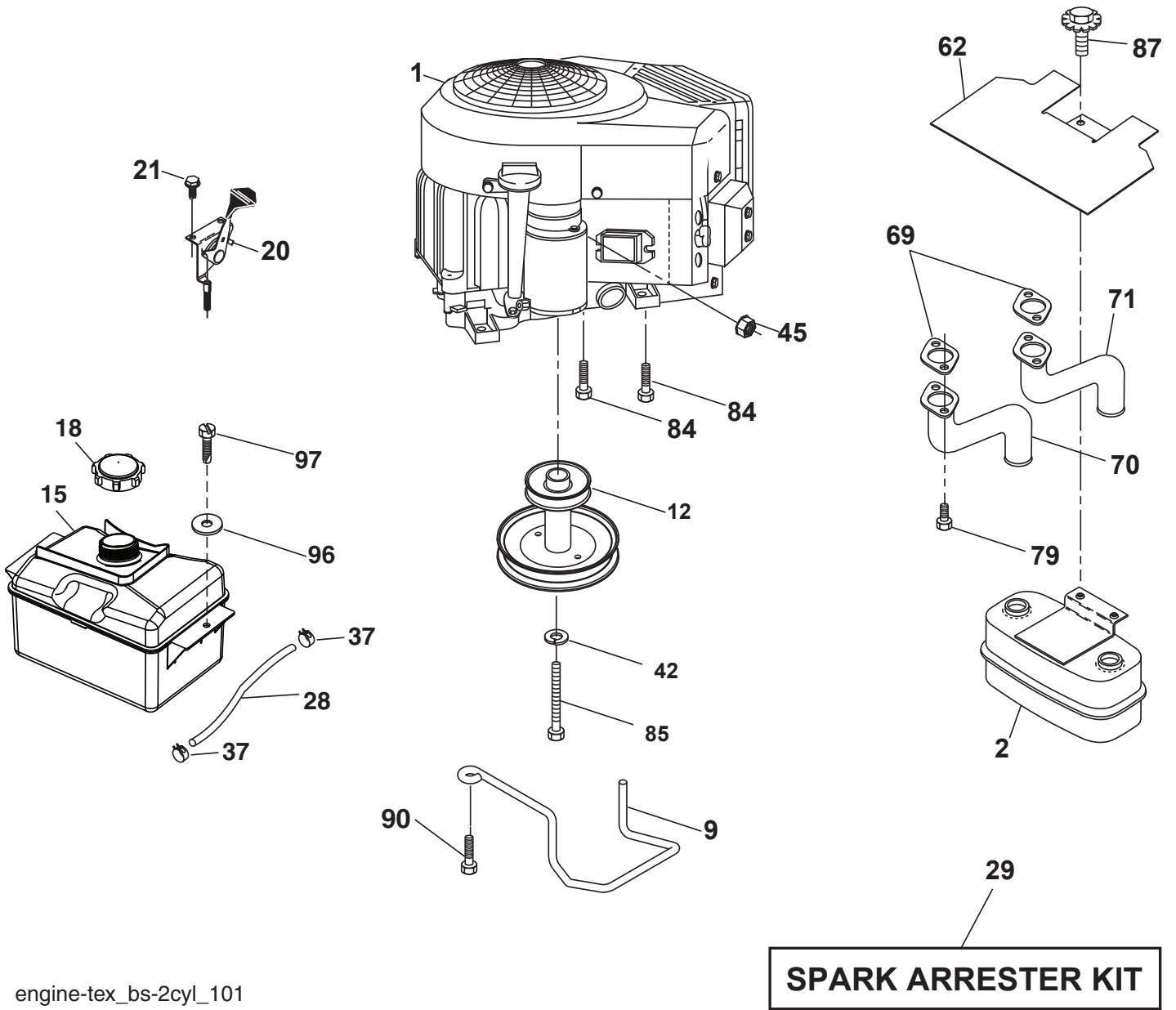
DRIVE

KEY NO.	PART NO.	DESCRIPTION	KEY NO.	PART NO.	DESCRIPTION
1	-- --	Transaxle, K46BT(426120) (See transaxle breakdown.)	171	72110616	Bolt
2	123583X	Key Square	183	137057	Spacer Axle
15	19131316	Washer 13/32 x 13/16 x 16 Ga.	184	196439X667	Handle Parking Brake
17	413678	Spring, Brake	185	72110622	Bolt Rdhd Sqnk 3/8-16 x 2-3/4
26	199679	Spring Return Cruise	186	194321	Spacer Retainer
29	403806	Rod, Brake	187	19133210	Washer
33	12000001	Ring E	188	194323	Link Clutch Ground Drive
35	583864501	Rod, Brake, Park	189	194317	Bellcrank Ground Drive
42	8883R	Cover, Foot Pedal	190	194318	Keeper Bellcrank Ground Drive
49	72110614	Bolt	205	121748X	Washer 25/32 x 1-5/8 x 16 Ga.
50	194327	Pulley Idler Flat	206	448596	Bracket Mount Latch Cruise
51	73900600	Lock Nut 3/8-16	207	197868	Latch Control Cruise
52	194326	Idler V-Groove	208	197869	Gear Sector Control Cruise
56	130969	V-Belt, Drive	209	199592	Rod Control Cruise
64	197865	Shaft Asm. Pedal Brake Control	210	400980	Rocker Asm. Pedal Control
73	74490540	Bolt Hex 5/16-18 Gr. 5	211	120183X	Bearing Nylon
80	440619	Strap Torque	213	196441X428	Knob Control Cruise
92	74760520	Bolt 5/16-18 x 1/2	214	421263	Pedal Forward
99	415742	Rod Bypass	215	197301X428	Pedal Reverse
116	73900500	Nut Lock Hex Flange 5/16-18	216	196131	Bracket Pulley Idler
125	17000512	Screw 5/16-18 x 3/4	221	403187	Retainer Spring Clip Handle
143	17490508	Screw 5/16-18 x 1/2	222	79212010	Washer 21/32 x 1-1/4 x 10 Ga.
153	4497H	Retainer Spring	225	403319	Keeper Belt Trans.
159	76020412	Pin Cotter 1/8 x 3/4	226	401564	Bracket Mount Torque
160	169484	Retainer Clip	227	17490512	Screw 5/16-18 x 3/4
161	105709X	Spring, Return, Clutch	230	188967	Washer Hardened
163	448275	Rod Pedal Control			
166	429164	Nut Push .625			
167	405257	Latch Brake Parking			
170	194322	Keeper Belt Centerspan			

NOTE: All component dimensions given in U.S. inches
1 inch = 25.4 mm

TRACTOR - - MODEL NUMBER 944.603620

ENGINE



engine-tex_bs-2cyl_101

TRACTOR - - MODEL NUMBER 944.603620

ENGINE

KEY NO.	PART NO.	DESCRIPTION
1	— — — —	Engine B&S Model No. 407777-1582-G5 (442318) (See engine breakdown.)
2	149723	Muffler
9	194320	Keeper Asm. Belt Engine
12	405471	Pulley Engine
15	581290101	Tank Fuel
18	430220	Cap Asm
20	421473X428	Control Throttle/Choke
21	416358	Screw #10 x 0.750 BOS Thread
28	401137	Fuel Line
29	137180	Spark Arrester Kit
37	123487X	Clamp Hose
42	10040700	Washer Lock 7/16
45	73510400	Nut Keps Hex 1/4-20 unc
62	434017	Shield Heat Muffler
69	165391	Gasket
70	581881101	Tube Exhaust LH
71	581881001	Tube Exhaust RH
79	183906	Screw 5/16-18 x 1
84	17060620	Screw 3/8-16 x 1 1/4
85	173937	Bolt Hex 7/16-20 x 4 Gr. 5 1.5 Thr.
87	171877	Bolt 5/16-18 unc x 3/4 w/Sems
90	17000616	Screw 3/8-16 x 1
96	19091416	Washer 9/32 x 7/8 x 16
97	17670412	Screw 1/4-20 x 3/4

NOTE: All component dimensions given in U.S. inches
1 inch = 25.4 mm

For engine service and replacement parts, call the toll free number for your engine manufacturer listed below:

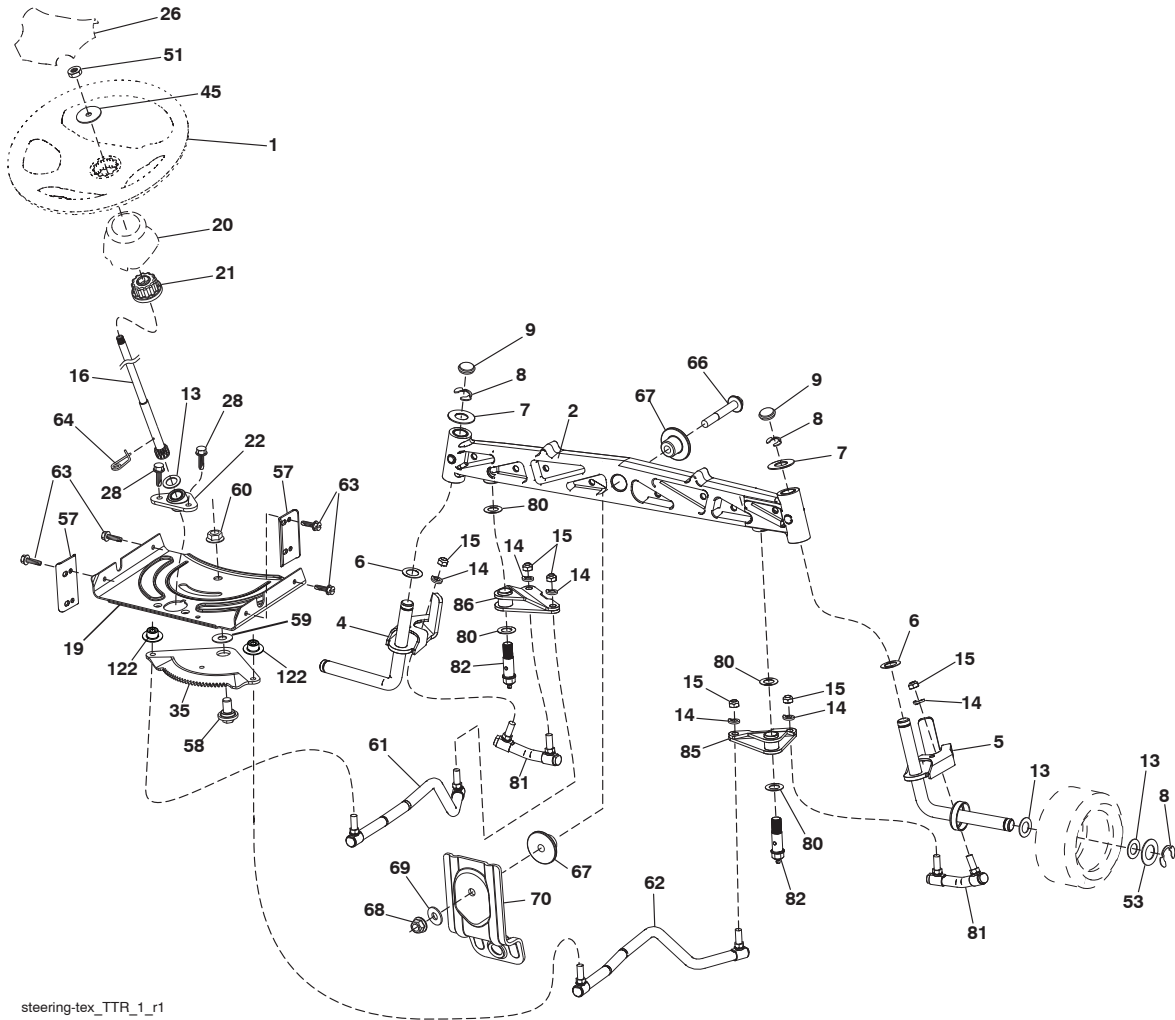
Briggs & Stratton 1-800-233-3723

Engine Power Rating Information

The gross power rating for individual gas engine models is labeled in accordance with SAE (Society of Automotive Engineers) code J1940 (Small Engine Power & Torque Rating Procedure), and rating performance has been obtained and corrected in accordance with SAE J1995 (Revision 2002-05). Torque values are derived at 3060 RPM; horsepower values are derived at 3600 RPM. Actual gross engine power will be lower and is affected by, among other things, ambient operating conditions and engine-to-engine variability. Given both the wide array of products on which engines are placed and the variety of environmental issues applicable to operating the equipment, the gas engine will not develop the rated gross power when used in a given piece of power equipment (actual "on-site" or net power). This difference is due to a variety of factors including, but not limited to, accessories (air cleaner, exhaust, charging, cooling, carburetor, fuel pump, etc.), application limitations, ambient operating conditions (temperature, humidity, altitude), and engine-to-engine variability. Due to manufacturing and capacity limitations, Briggs & Stratton may substitute an engine of higher rated power for this Series engine.

TRACTOR - - MODEL NUMBER 944.603620

STEERING ASSEMBLY



steering-tex_TTR_1_r1

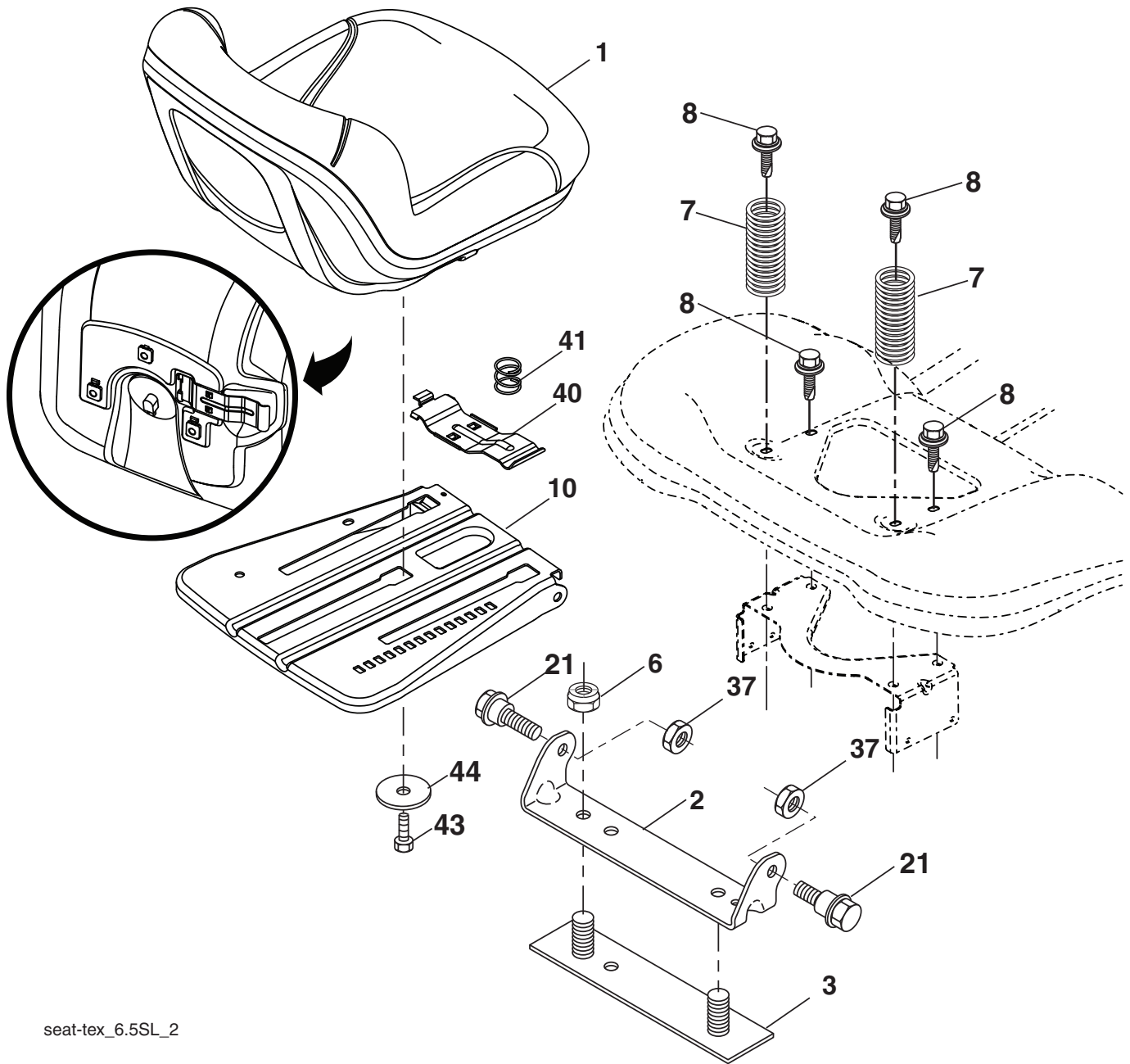
KEY NO.	PART NO.	DESCRIPTION
1	414803X428	Wheel, Steering
2	436870	Axle Asm., Front
4	436873	Spindle Asm., LH
5	436874	Spindle Asm., RH
6	6266H	Washer Thrust 0.75 x 1.23
7	121748X	Washer 25/32 x 1-5/8 x 16 Ga.
8	12000029	Ring, Klip #T5304-75
9	184946X667	Cap, Spindle
13	121749X	Washer 25/32 x 1-1/4 x 16 Ga.
14	10040600	Washer, Lock 3/8
15	73540600	Nut, Crown Lock 3/8-24 unf
16	440785	Shaft Steering (Two High Units)
19	194729	Plate Steering
20	199676X428	Boot, Steering
21	437747	Adapter, Wheel Steering
22	194845	Bushing, Strg. Blk
26	414852X428	Insert, Wheel Steering
28	17000612	Screw 3/8-16 x 3/4
35	440770	Gear, Sector Plate
45	19183812	Washer
51	73940800	Nut Hex 1/2-20 unf
53	188967	Washer Hardened .793 x 1.637 x .060

KEY NO.	PART NO.	DESCRIPTION
57	407465	Bracket Upstop
58	194747	Bolt Shoulder Sector Pivot CFM
59	194748	Washer Thrust Sector Steering
60	73971000	Nut Flange Lock 5/8-11
61	436884	Draglink, LH
62	436885	Draglink, RH
63	17000512	Screw 5/16-18 x 3/4
64	199849	Retainer Clip Spring Steering
66	71020748	Bolt Hex Fghd 7/16-14 x 3 Serr
67	194737	Bushing PM Front Axle
68	73900700	Nut Lock Flange 7/16-14 Gr. 5
69	199162	Washer 1.5 x .505 x .118
70	196197	Bracket Deck Susp. Front
80	1370H	Washer
81	436887	Link Cross RH
82	436877	Pivot Bolt
85	441873	Pivot RH
86	441872	Pivot LH
122	444962	Cap Gear

NOTE: All component dimensions given in U.S. inches
1 inch = 25.4 mm

TRACTOR - - MODEL NUMBER 944.603620

SEAT ASSEMBLY



seat-tex_6.5SL_2

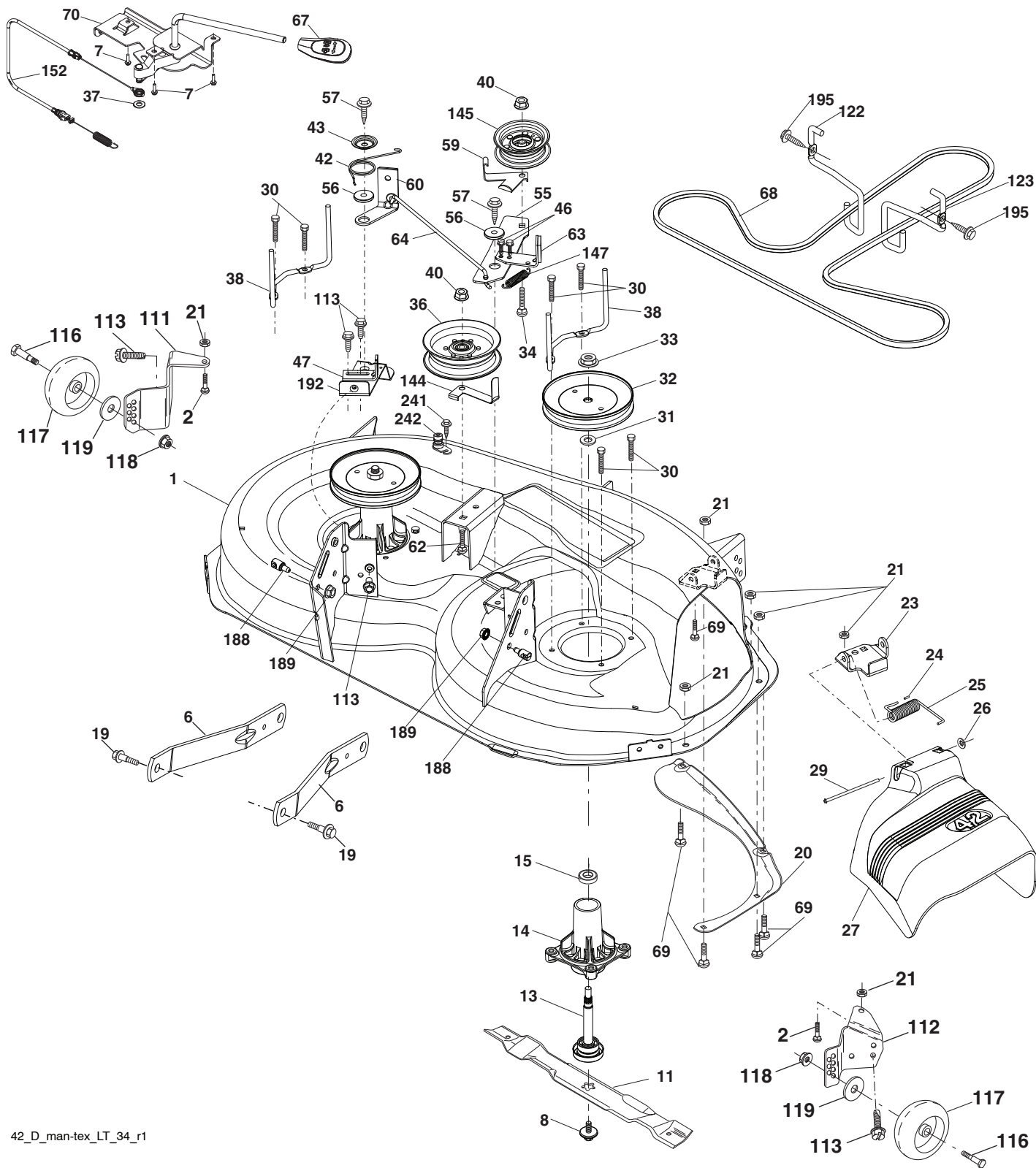
KEY NO.	PART NO.	DESCRIPTION
1	423645	Seat
2	180166	Bracket Pivot Fender
3	140675	Strap, Asm Fender
6	73800600	Nut, Lock W/Ins. 3/8-16 unc
7	124181X	Spring, Seat Cprsn
8	171877	Bolt 5/16-18 unc x 3/4 w/Sems
10	196977	Pan, Seat
21	171852	Bolt, Shoulder 5/16-18
37	73800500	Nut, Lock 5/16-18 unc

KEY NO.	PART NO.	DESCRIPTION
40	197661	Handle Slide Seat
41	198200	Spring Latch Seat
43	74760612	Bolt Fin Hex 3/8-16 unc x 3/4
44	19133812	Washer 13/32 x 2-3/8 x 12 Ga.

NOTE: All component dimensions given in U.S. inches
1 inch = 25.4 mm

TRACTOR - - MODEL NUMBER 944.603620

MOWER DECK



42_D_man-tex_LT_34_r1

TRACTOR - - MODEL NUMBER 944.603620

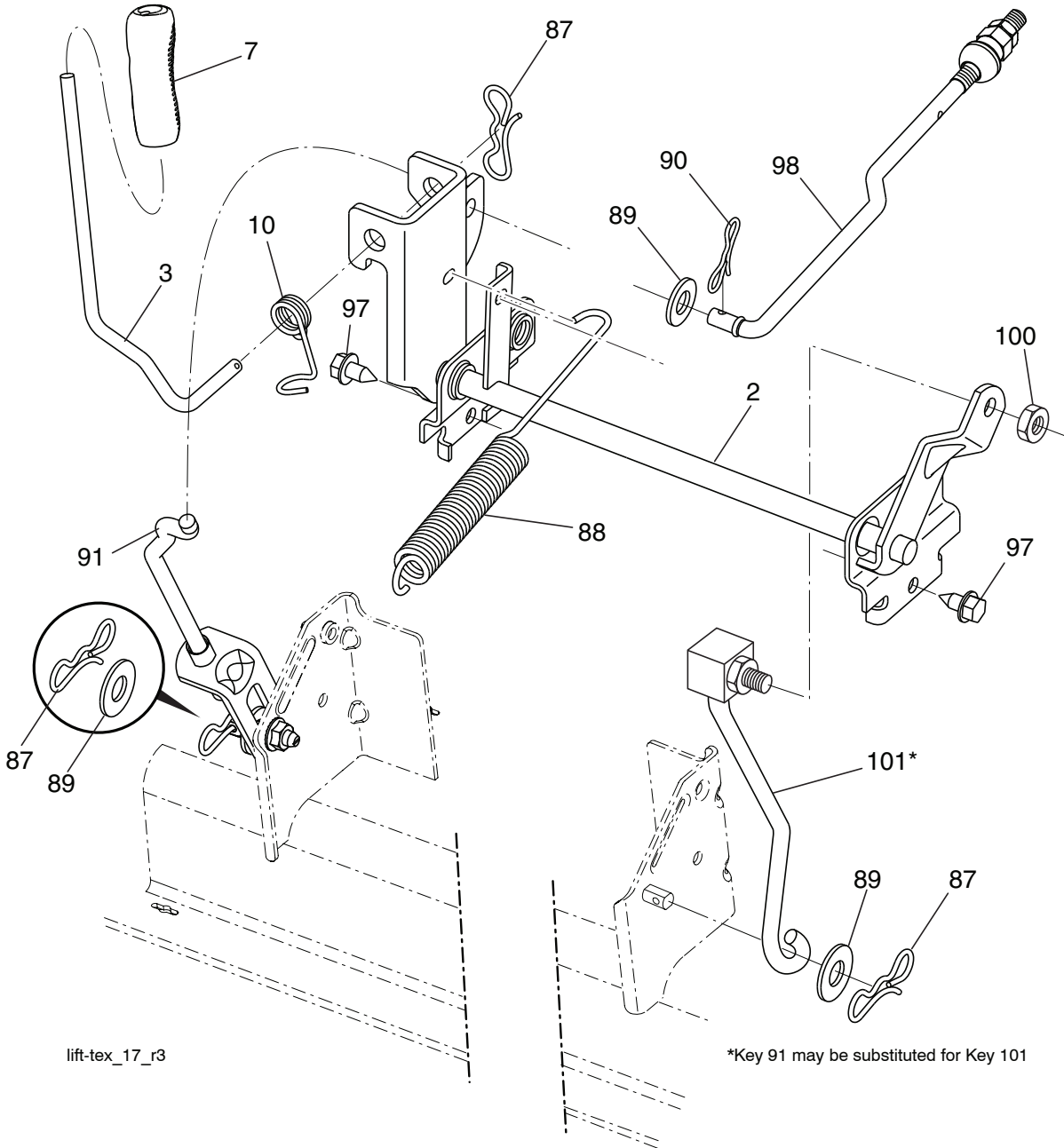
MOWER DECK

KEY NO.	PART NO.	DESCRIPTION	KEY NO.	PART NO.	DESCRIPTION
1	196495X615	Mower Housing	57	17000616	Screw Hexwsh Thd 3/8-16 x 1
2	72140506	Bolt 5/16-18 unc x 3/4	59	141043	Guard, Tuv Idler (94)
6	195186	Arm Suspension	60	197261	Arm Brake Mower
7	416358	Screw #10 x 0.750 BOS Thread	62	72110616	Bolt Rdhd Sqnk 3/8-16 unc x 2
8	193003	Bolt/Washer Asm 7/16-20 unf	63	199477	Arm Brake Mower
11	424752	Blade, 3N1	64	199790	Linkage Brake
--	422719	Blade, 3N1 Premium	67	198398X667	Handle, Clutch Cable
--	139775	Blade, 42" Mulching Premium (For better wear when mulching)	68	429636	V-Belt
--	138971	Blade, 42" Hi-Lift (For bagging or discharge)	69	72140505	Bolt Rdhd Sqnk 5/16-18 x 5/8
--	134149	Blade, 42" Mulching Std (For mulching mowers only)	70	199972	Clutch Asm. Manual
13	192872	Shaft Assembly, Mandrel	111	404784	Bracket Wheel Gauge LH
14	187281	Housing, Mandrel	112	404785	Bracket Wheel Gauge RH
15	110485X	Bearing, Ball, Mandrel	113	17000510	Screw 5/16-18
19	196539	Bolt, Shoulder	116	4898H	Bolt
20	159770	Baffle, Vortex	117	188606	Wheel Gauge
21	73680500	Nut, Crownlock 5/16-18 unc	118	73900600	Nut Lock 3/8-16 unc
23	192557	Bracket, Deflector	119	19121414	Washer 3/8-7/8 x 14 Ga.
24	105304X	Cap, Sleeve	122	197258	Keeper Belt Eng. LH
25	197026	Spring, Torsion, Deflector	123	197259	Keeper Belt Eng. RH
26	110452X	Nut, Push	144	199204	Keeper Belt
27	424469	Shield, Deflector	145	193197	Pulley Idler Primary
29	131491	Rod, Hinge	147	401971	Spring Return
30	173984	Screw Thdrol Rolling Wsh Hd	152	584243501	Cable Clutch Manual w/Spr.
31	187690	Washer, Spacer	188	195161	Stud Fastener
32	197473	Pulley, Mandrel	189	73900500	Nut Lock Hex Flange
33	400234	Nut, Toplock, Flanged	192	197260	Bracket Brake Stand LH
34	72110612	Bolt Carr Sh. 3/8-16 x 1-1/2 Gr. 5	195	17000612	Screw Hexwsh Thdr 3/8-16 x 3/4
36	197379	Pulley, Idler 4.50 RAW	241	152927	Screw
37	19131316	Washer 13/32 x 13/16 x 16 Ga.	242	415598	Port, Washout
38	432520	Keeper Belt Mandrel	--	416405	Quick Connect Coupling
40	73900600	Nut, Lock Flg. 3/8-16 unc	--	192870	Mandrel Assembly (Includes housing (key #14), shaft assembly (key #13), and bearing only (key #15)-pulley/nut/washer and blade bolt/washers not included)
42	198410	Spring Torsion Brake	--	437732	Replacement Mower, Complete
43	197256	Spring Torsion Retainer			
46	137729	Screw Thd Roll 1/4-20 x 5/8			
47	197250	Bracket Clutch Cable			
55	437110	Arm, Idler			
56	199092	Spacer, Retainer			

NOTE: All component dimensions given in U.S. inches
1 inch = 25.4 mm

TRACTOR - - MODEL NUMBER 944.603620

MOWER LIFT



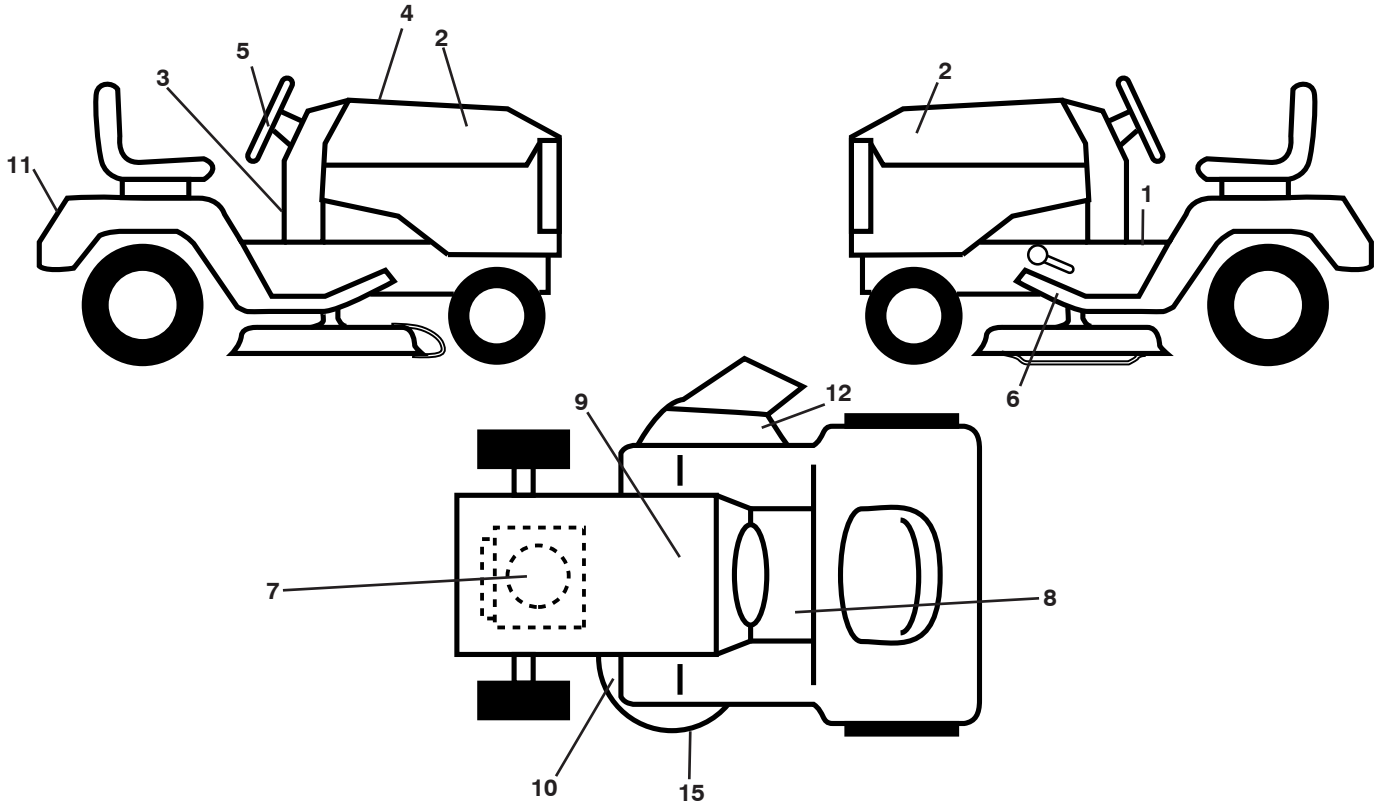
KEY NO.	PART NO.	DESCRIPTION
2	422027	Shaft Asm., Lift
3	426896	Lever Lift Handle
7	445060X428	Grip, Lever
10	196314	Spring Torsion
87	194209	Pin Cotter 7/16 Bow Tie Lock
88	410710	Spring Lift Assist
89	19191912	Washer Clear Zinc
90	194208	Pin Cotter 5/16 Bow Tie Lock

KEY NO.	PART NO.	DESCRIPTION
91	195181	Link Lift Susp Mower Rear
97	17000612	Screw Hexwsh Thdrl. 3/8-16 x 3/4
98	195270	Link Lift Susp. Front Mower
100	73930600	Nut Centerlock 3/8-16 unc
101	407003	Link Asm Lift Fixed

NOTE: All component dimensions given in U.S. inches
1 inch = 25.4 mm

TRACTOR - - MODEL NUMBER 944.603620

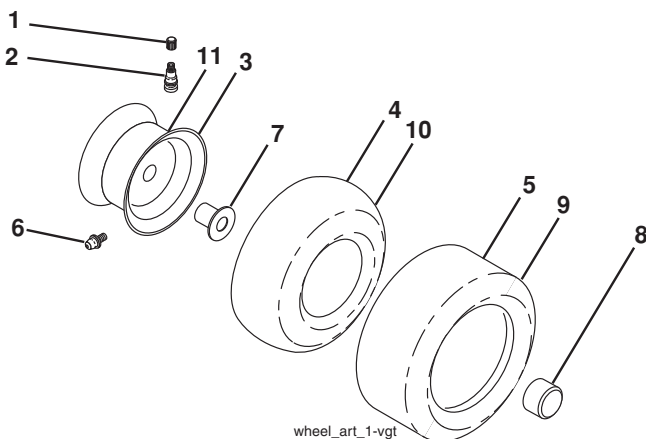
DECALS



KEY NO.	PART NO.	DESCRIPTION
1	581579001	Decal, Fender Warning
2	443183	Decal, Hood
3	581579901	Decal, Dash
4	426906	Decal, Replacement
5	439525	Decal, Strg Whl
6	421534	Decal, V-Belt Sch
7	426841	Decal, Engine
8	448709	Decal, Battery
9	149517	Decal, Battery Dnge/Poi
10	581580001	Decal, Mower Sch.

KEY NO.	PART NO.	DESCRIPTION
11	441121	Decal, Fender
12	581579501	Decal, Mower Warning Keep Hand Away
15	426593	Decal, Deck PRCSN Plus
--	581724801	Decal, Bypass Fender
--	400981X428	Pad, Foot Pedal
--	193226X428	Pad, Footrest, LH
--	584439332	Manual, Opers (English/French)
--	584439326	Manual, Parts (English/French)

WHEELS AND TIRES



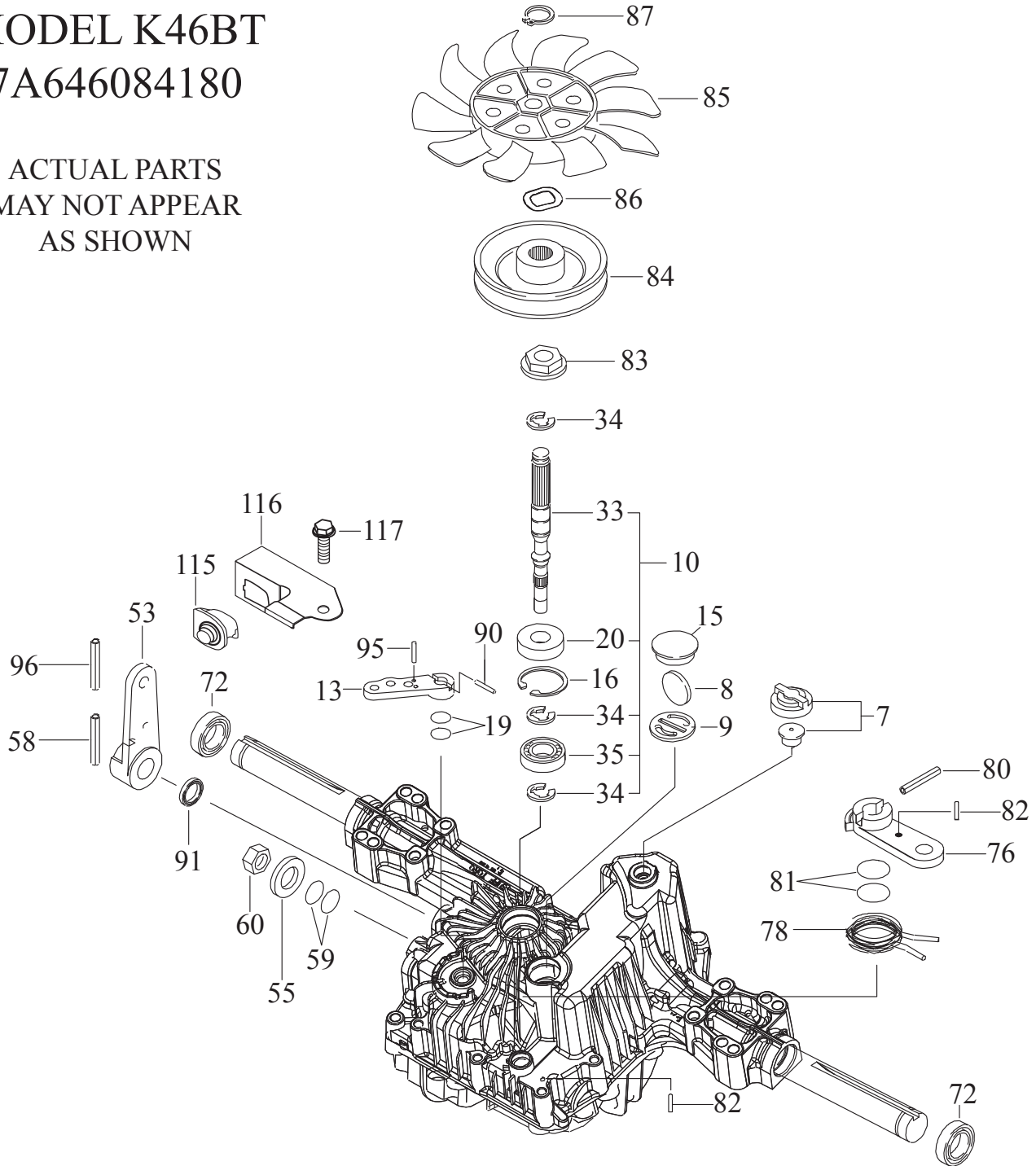
KEY NO.	PART NO.	DESCRIPTION
1	59192	Cap, Valve, Tire
2	65139	Stem, Valve
3	106732X613	Rim Assembly, Front
4	59904	Tube, Front (Service Item Only)
5	106222X	Tire, Front 15 x 6.0-6
6	278H	Fitting, Grease (Front Wheel Only)
7	9040H	Bearing, Flange (Front Wheel Only)
8	104757X428	Cap, Axle
9	138468	Tire, Rear 20 x 8-8
10	7152J	Tube, Rear (Service Item Only)
11	106108X613	Rim Assembly, Rear
--	144334	Sealant, Tire (10 oz. Tube)

NOTE: All component dimensions given in U.S. inches
1 inch = 25.4 mm

TRACTOR - - MODEL NUMBER 944.603620
TUFF TORQ TRANSAXLE - MODEL NUMBER K46BT

MODEL K46BT
7A646084180

ACTUAL PARTS
MAY NOT APPEAR
AS SHOWN

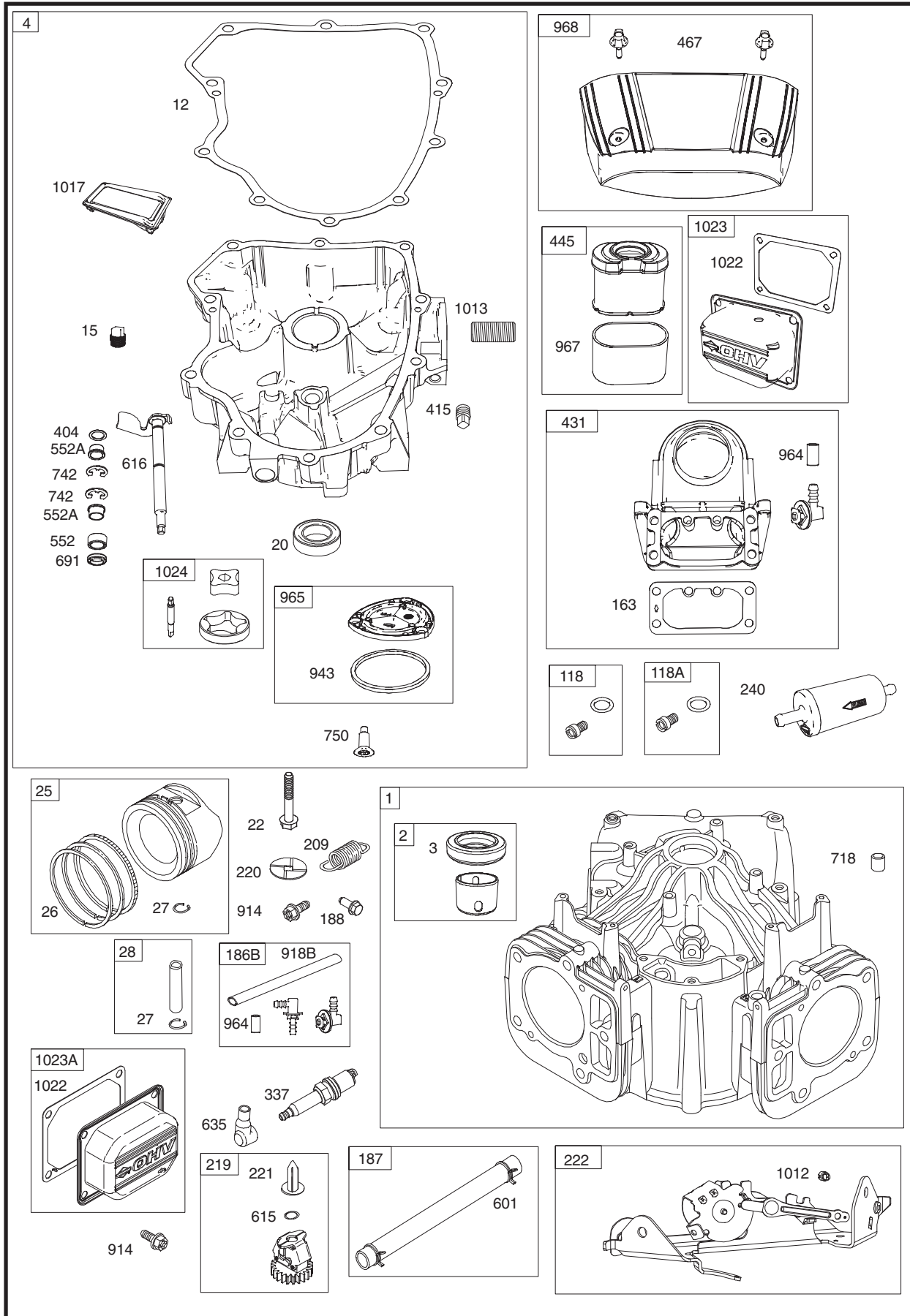


TRACTOR - - MODEL NUMBER 944.603620
TUFF TORQ TRANSAXLE - MODEL NUMBER K46BT

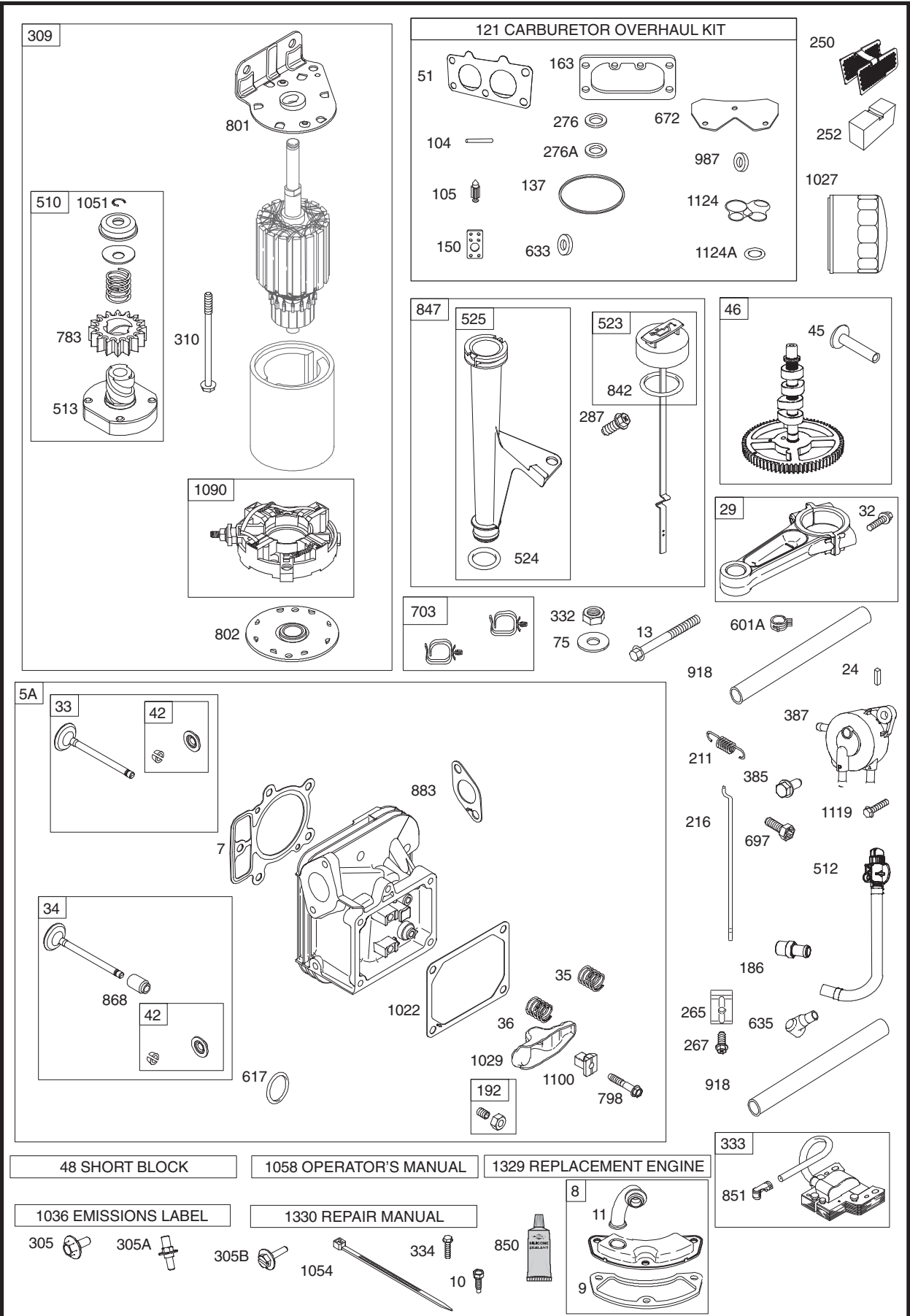
KEY NO.	PART NO.	DESCRIPTION
7	414395	VENT VALVE 15
8	414396	MAGNET
9	414397	MAGNET HOLDER
10	415923	PUMP SHAFT/BEARING KIT
13	414398	BYPASS LEVER
15	414399	SEALING CAP 30
16	414400	SNAP RING C 35
19	414401	O-RING 1A P10A
20	414402	SEAL TC 153507
33	414403	PUMP SHAFT (STANDARD)
34	414404	E-RING 15
35	414405	BEARING 6202C3
53	414431	CONTROL LEVER F
55	415924	WASHER 12
58	415925	ROLL PIN 6 * 40
59	415926	O-RING 1A P14
60	415927	NUT 12
72	414407	SEAL 19 * 32 * 8
76	414408	BRAKE LEVER
78	414409	BRAKE RETURN SPRING
80	414410	SPRING PIN 5 * 32
81	414411	O-RING 1A P12
82	414412	SPRING PIN 4 * 16
83	414413	SPINE COLLAR
84	414414	PULLEY L
85	414415	FAN, BLACK
86	414416	WAVE WASHER
87	414417	SNAP RING
90	414418	SPRING PIN 3.0A * 20
91	414419	OIL SEAL 16 * 22 *.03
95	414850	SPRING PIN 3.0A*16
96	414420	ROLL PIN 3.5 * 40
115	415928	SWITCH 6440-11 DELTA
116	415929	SWITCH BRACKET
117	415930	TAPPING SCREW 8 * 20

NOTE: All component dimensions given in U.S. inches
1 inch = 25.4 mm

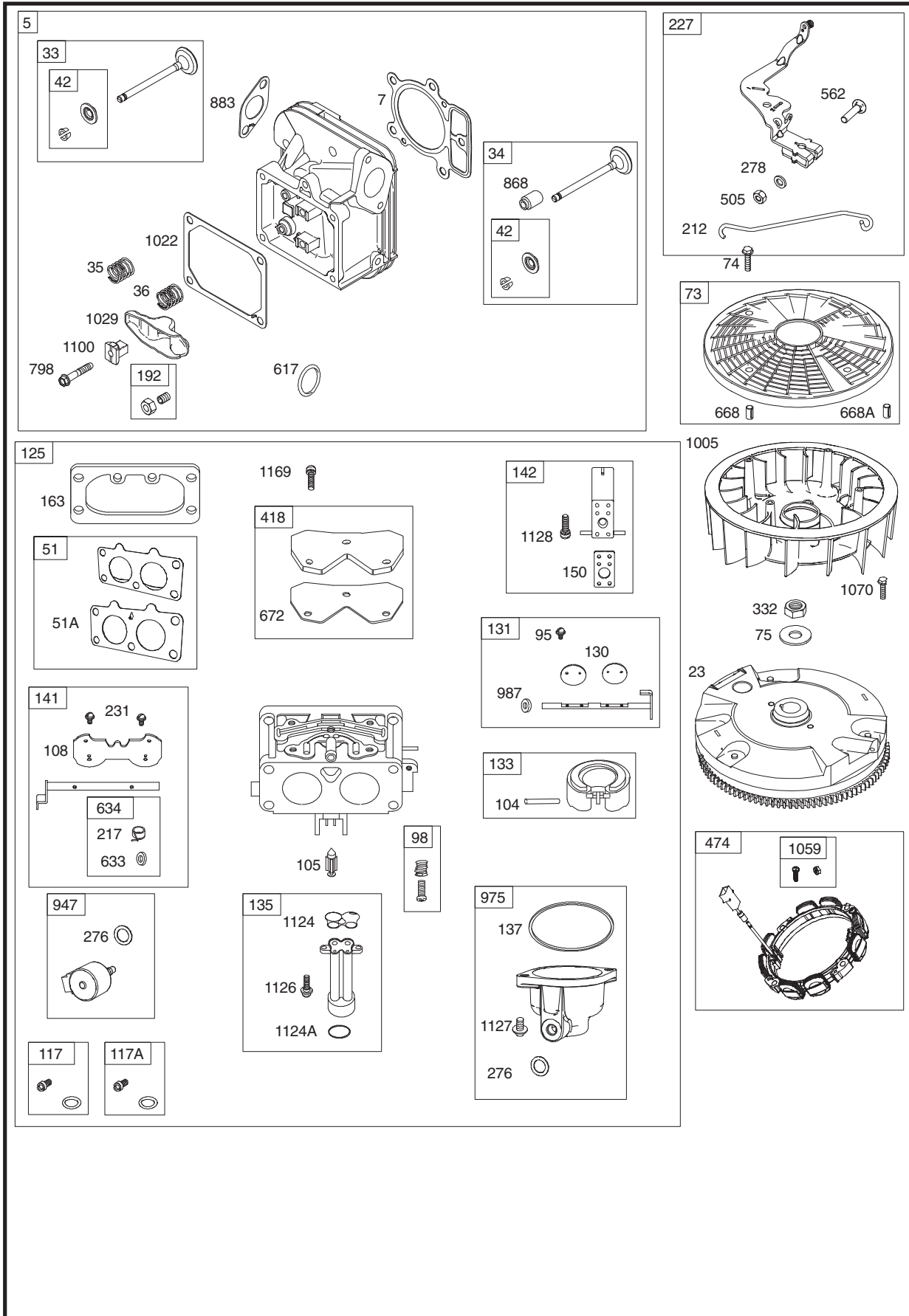
TRACTOR - - MODEL NUMBER 944.603620
BRIGGS ENGINE - MODEL NUMBER 407777, TYPE NUMBER 1582-G5



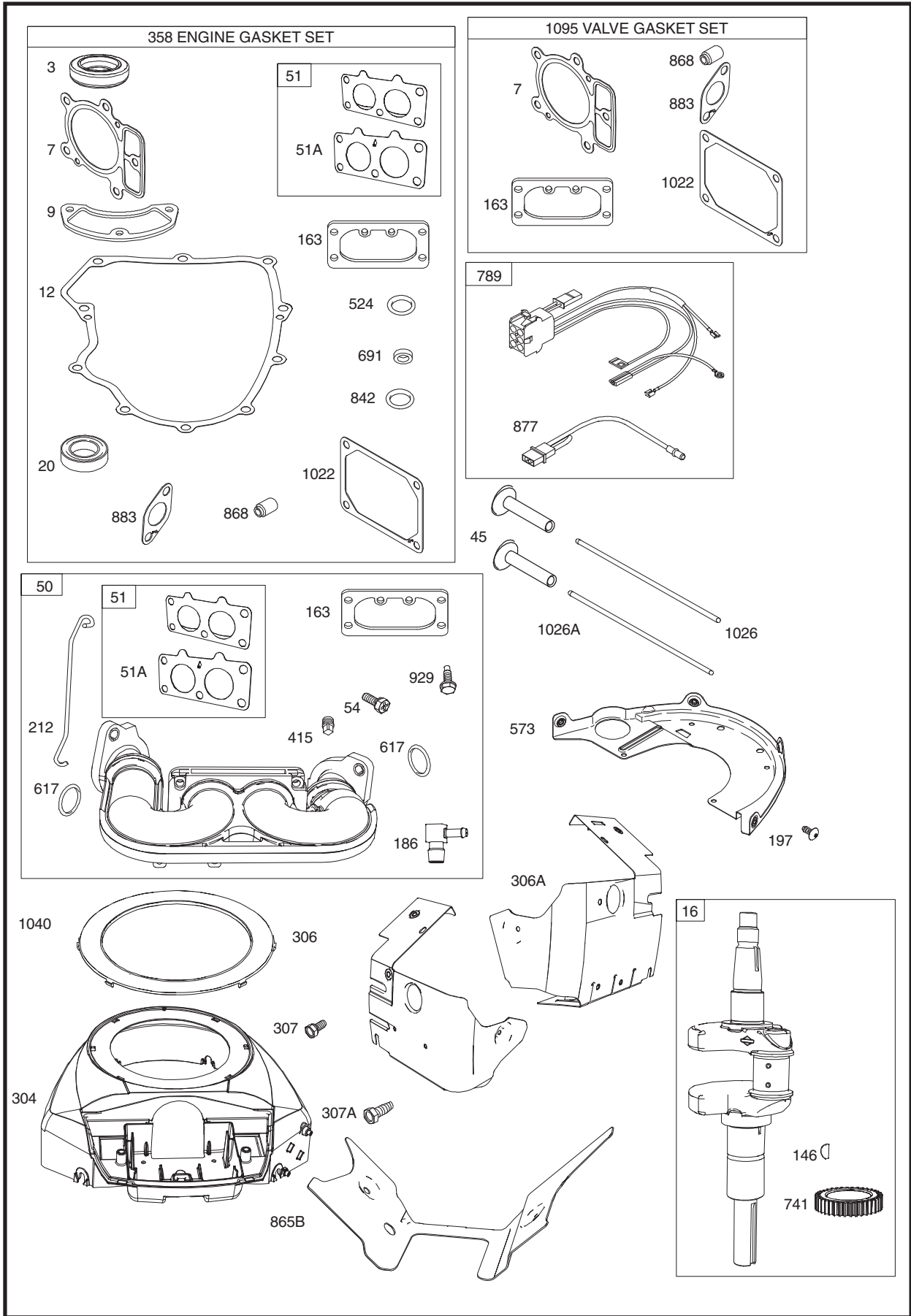
TRACTOR - - MODEL NUMBER 944.603620
BRIGGS ENGINE - MODEL NUMBER 407777, TYPE NUMBER 1582-G5



TRACTOR - - MODEL NUMBER 944.603620
BRIGGS ENGINE - MODEL NUMBER 407777, TYPE NUMBER 1582-G5



TRACTOR - - MODEL NUMBER 944.603620
BRIGGS ENGINE - MODEL NUMBER 407777, TYPE NUMBER 1582-G5



TRACTOR - - MODEL NUMBER 944.603620
BRIGGS ENGINE - MODEL NUMBER 407777, TYPE NUMBER 1582-G5

KEY NO.	PART NO.	DESCRIPTION	KEY NO.	PART NO.	DESCRIPTION
1	795118	Cylinder Assembly	141	796228	Kit-Choke Shaft
2	797673	Bushing/Seal Kit (Magneto Side)	142	699726	Nozzle-Carburetor
3	391086s	Seal-Oil (Magneto Side)	146	690979	Key-Timing
4	796307	Sump-Engine	150	690995	Gasket-Nozzle
5	796231	Head-Cylinder (Cylinder 1)	163	691001	Gasket-Air Cleaner
5A	796232	Head-Cylinder (Cylinder 2)	186	796532	Hose-Connector (Oil Drain Hose)
7	693997	Gasket-Cylinder Head	186A	845141	Hose-Connector (EVAP System)
8	792185	Breather Assembly	186B	799158	Hose-Connector (EVAP System)
9	690937	Gasket-Breather	187	791766	Line-Fuel (Cut to Required Length)
10	697551	Screw (Breather Assembly)	188	697551	Screw (Control Bracket)
11	792184	Tube-Breather	192	690083	Adjuster-Rocker Arm
12	697227	Gasket-Crankcase	197	697820	Screw (Back Plate)
13	793988	Screw (Cylinder Head)	209	798921	Spring-Governor (Orange)
15	690946	Plug-Oil Drain	211	691019	Spring-Governed Idle (No Color)
16	796237	Crankshaft	212	695238	Link-Throttle
20	795387	Seal-Oil (PTO Side)	216	796229	Link-Choke
22	694966	Screw (Crankcase Cover/Sump)	217	695409	Spring-Choke Return
23	691054	Flywheel	219	793338	Gear-Governor
24	222698s	Key-Flywheel	220	690412	Washer (Governor Gear)
25	793647	Piston Assembly (Standard)	221	841026	Cup-Governor
	793648	Piston Assembly (.020" Oversize)	222	798915	Bracket-Control
26	791787	Ring Set (Standard)	227	798856	Lever-Governor Control
	791792	Ring Set (.020" Oversize)	231	690718	Screw (Choke Valve)
27	690975	Lock-Piston Pin	240	695666	Filter-Fuel
28	696581	Pin-Piston	250	690957	Retainer-Breather
29	796209	Rod-Connecting	252	794389	Collector-Oil
32	690976	Screw (Connecting Rod)	265	691024	Clamp-Casing
33	697576	Valve-Exhaust	267	792629	Screw (Casing Clamp)
34	792200	Valve-Intake	276	695410	Washer-Sealing
35	694865	Spring-Valve (Intake)	278	792651	Washer (Governor Control Lever)
36	694865	Spring-Valve (Exhaust)	287	691108	Screw (Dipstick Tube)
42	499586	Keeper-Valve	304	797407	Housing-Blower
45	690977	Tappet-Valve	305	691005	Screw (Blower Housing) (1/4-20x.66)
46	792555	Camshaft	305A	698336	Screw (Blower Housing)
48	698172	Short Block	305B	790690	Screw (Blower Housing to Intake Elbow)
50	695241	Manifold-Intake	306	798855	Shield-Cylinder (Cylinder 2)
51	795123	Gasket-Intake	306A	796852	Shield-Cylinder (Cylinder 1)
51A	690950	Gasket-Intake	307	691003	Screw (Cylinder Shield) (#10-24x.43)
53	690951	Stud (Carburetor)	307A	697551	Screw (Cylinder Shield) (1/4-20x.66)
54	699816	Screw (Intake Manifold)	309	497595	Motor-Starter
73	494439	Screen-Rotating	310	690323	Screw (Starter Motor)
74	698425	Screw (Rotating Screen)	332	691059	Nut (Flywheel)
75	691056	Washer (Flywheel)	333	691060	Armature-Magneto
95	690718	Screw (Throttle Valve)	334	691061	Screw (Magneto Armature)
98	699721	Kit-Idle Speed	337	793541	Plug-Spark
104	694918	Pin-Float Hinge	358	694012	Gasket Set-Engine
105	797410	Valve-Float Needle	385	797409	Screw (Fuel Pump)
108	699723	Valve-Choke	387	808656	Pump-Fuel
117	792296	Jet-Main (Standard) (Left)	404	690442	Washer (Governor Crank)
117A	842627	Jet-Main (Standard) (Right)	415	794903	Plug
118	699457	Jet-Main (High Altitude) (Left)	418	795912	Plate-Carburetor
118A	699733	Jet-Main (High Altitude) (Right)	431	798860	Elbow-Intake
121	792455	Kit-Carburetor Overhaul	445	792105	Filter-Air Cleaner Cartridge
125	796227	Carburetor	462	691261	Washer (Starter Cable)
130	690993	Valve-Throttle	467	790697	Knob-Air Cleaner
131	499805	Kit-Throttle Shaft	474	696459	Alternator
133	699724	Float-Carburetor	505	691029	Nut (Governor Control Lever)
135	699729	Tube-Fuel Transfer	510	696541	Drive-Starter
137	690994	Gasket-Float Bowl			

TRACTOR - - MODEL NUMBER 944.603620
BRIGGS ENGINE - MODEL NUMBER 407777, TYPE NUMBER 1582-G5

KEY NO.	PART NO.	DESCRIPTION	KEY NO.	PART NO.	DESCRIPTION
512	796530	Hose-Oil Drain	1024	796220	Pump-Oil
513	692024	Clutch-Drive	1026	690981	Rod-Push (Steel)
523	691036	Dipstick	1026A	690982	Rod-Push (Aluminum)
524	691032	Seal-Dipstick Tube	1027	795890	Filter-Oil
525	691037	Tube-Dipstick	1029	690972	Arm-Rocker
552	796638	Bushing-Governor Crank	1036		Label-Emissions (Available from a Briggs & Stratton Authorized Dealer)
552A	690553	Bushing-Governor Crank			
562	690311	Screw (Governor Control Lever)	1040	791237	Plate-Trim
573	790444	Plate-Back	1051	691265	Ring-Retaining
601	791850	Hose-Clamp (Green)	1054	280275	Tie-Cable
601A	691038	Hose-Clamp (Black)	1058	278776	Operator's Manual
615	698290	Retainer-Governor Shaft	1059	698516	Kit-Screw/Washer (Alternator)
616	691045	Crank-Governor	1070	791680	Screw (Flywheel Fan)
617	697891	Seal-O Ring (Intake Manifold) (Red)	1090	691293	Retainer-Brush
633	699813	Seal-Choke/Throttle Shaft (Choke Shaft)	1095	694013	Gasket Set-Valve
634	698779	Seal/Spring Assembly	1000	791959	Pivot-Rocker Arm
635	66538s	Boot-Spark Plug	1119	691183	Screw (Alternator)
654	690958	Nut (Carburetor)	1124	690988	Seal-O Ring (Fuel Transfer Tube)
668	691215	Spacer (Rotating Screen)	1124A	841653	Seal-O Ring (Fuel Transfer Tube)
668A	691500	Spacer (Rotating Screen)	1126	690991	Screw (Fuel Transfer Tube)
672	690234	Gasket-Carburetor Plate	1127	695407	Screw (Float Bowl)
691	790574	Seal-Governor Shaft	1128	690990	Screw (Carburetor Nozzle)
697	690372	Screw (Drive Cap)	1169	690990	Screw (Carburetor Cover Plate)
703	691010	Clip	1329	44L777	
718	690959	Pin-Locating		-3137-G5	Replacement Engine
741	690980	Gear-Timing	1330	273521	Repair Manual
742	690328	Retainer-E Ring			
750	796208	Screw (Oil Pump Cover)			Engine Gasket Set Key No. 358
783	695708	Gear-Pinion			Valve Gasket Set Key No. 1095
789	698330	Harness-Wiring			Carburetor Overhaul Kit Key No. 121
798	697890	Screw (Rocker Arm)			
801	691283	Cap-Drive			
802	691286	Cap-End			
842	691031	Seal-O Ring (Dipstick)			
847	499602	Dipstick/Tube Assembly			
850	100106	Sealant-Liquid			
851	493880s	Terminal-Spark Plug			
865B	792286	Cover-Air Guide (Valley)			
868	690968	Seal-Valve			
877	790544	Wire/Connector-Alternator			
883	690970	Gasket-Exhaust			
914	691127	Screw (Rocker Cover)			
918	797408	Hose-Vacuum (Rocker Cover)			
918A	799160	Hose-Vacuum (EVAP System)			
943	796222	Seal-O Ring (Oil Pump Cover)			
947	798779	Solenoid-Fuel			
964	799159	Cap-Connector			
965	796221	Cover-Oil Pump			
968	795120	Cover-Air Cleaner			
975	798778	Bowl-Fuel			
987	691000	Seal-Throttle Shaft			
1005	791236	Fan-Flywheel			
1012	797926	Retainer-Link			
1013	690954	Nipple-Oil Filter			
1017	796214	Screen-Oil Pump			
1022	690971	Gasket-Rocker Cover			
1023	793146	Cover-Rocker (Cylinder 1)			
1023A	499600	Cover-Rocker (Cylinder 2)			

NOTE: All component dimensions given in U.S. inches
1 inch = 25.4 mm

Get it fixed, at your home or ours!

Just Call:

1-800-4-MY-HOME[®]

(1-800-469-4663)

24 hours a day, 7 days a week

For the repair of major brand appliances **in your own home...**
no matter who made it, no matter who sold it!

For your nearest **Sears Parts and Service** location,
to bring in products like vacuums, lawn equipment and electronics.

For **Sears Parts & Service**, to order the replacement parts,
accessories and owner's manuals that you need to do-it-yourself.

www.sears.ca

To purchase or inquire about a Sears Maintenance Agreement, call:

1-800-361-6665

9 a.m. – 11 p.m. Mon. – Fri., EST, 9 a.m. – 4 p.m. Sat.

Pour service en français:

1-800-LE-FOYER^{MC}

(1-800-533-6937)

www.sears.ca



® / TM Trademarks of Sears Brands Management Corporation used under license by Sears Canada

^{MD} Marque déposée / ^{MC} Marque de commerce de Sears Brands Management Corporation utilisée en vertu d'une licence de Sears Canada

Faites-le réparer, à domicile ou à l'atelier!

Téléphonez au:
1-800-LE-FOYER^{MC}
(1-800-533-6937)
24 heures par jour, 7 jours par semaine

Pour la réparation des appareils électroménagers de grandes marques
à votre domicile ... peu importe le fabricant ou le détaillant!

Pour connaître l'emplacement du **Service des pièces et de l'entretien**
Sears le plus proche afin d'apporter à l'atelier des produits tels que
des aspirateurs, tondeuses à gazon ou appareils électroniques.

Pour connaître le no. de téléphone du **Service des pièces et de l'entretien**
Sears afin de commander les pièces de rechange, accessoires et
manuels d'instructions requis pour effectuer vous-même les réparations.

www.sears.ca

Pour acheter ou demander des renseignements
sur un contrat d'entretien Sears, téléphonez au:
1-800-361-6665

de 9 h à 23 h du lundi au vendredi (HNE), de 9 h à 16 h le samedi

For service in English:
1-800-4-MY-HOME[®]
(1-800-469-4663)
www.sears.ca



TRACTEUR - - NUMÉRO DE MODÈLE 944.603620 MOTEUR "BRIGGS & STRATTON" - NO. DE MODÈLE 40777, NO. DE TYPE 1582-G5

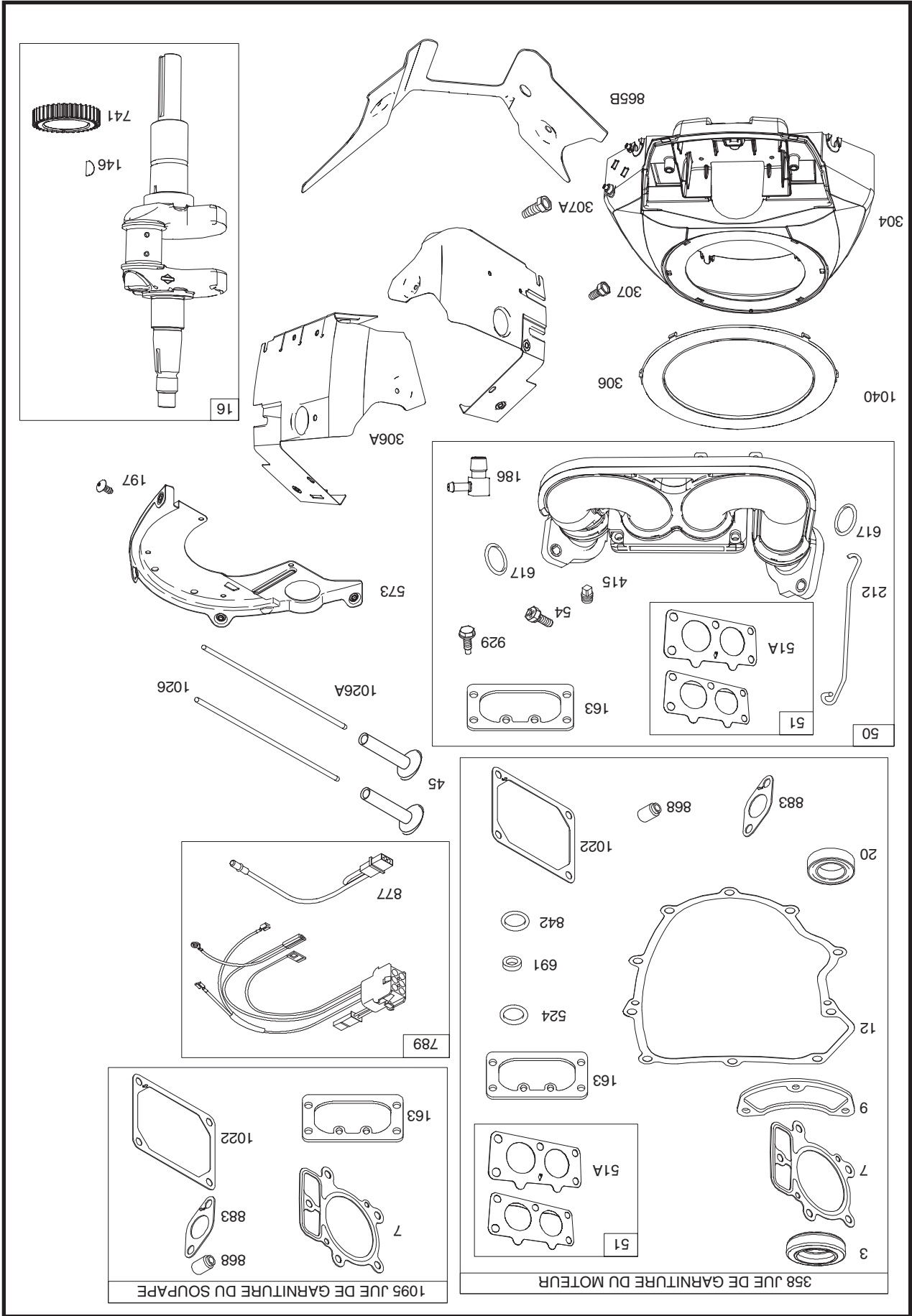
NO. DE PIECE	DESCRIPTION	NO. DE PIECE	DESCRIPTION	NO. DE PIECE	DESCRIPTION
601	Bride de Serrage de Tuyau	1059	Jeu-Vis/Rondelle (Alternateur)	1070	791680
601A	Tuyau-Ciamp (Black)	1070	Vis, Ventilateur de Volant du Moteur	1090	691293
615	Attache, Arbre de Régulateur	1095	Arrêt	1095	694013
616	Manivelle du Régulateur	1000	Fixée, Garnitures du Soupape	791959	Pivot-Culbuteur
617	Joint D'atanchette-Joint Torique (Entrée)	1119	Vis, Alternateur	691183	1119
633	Tubulure (Rouge)	1124	Vis, Alternateur	690988	1124
634	Siège de Arbre de Starter / Papillon	1124A	Joint d'Étanchéité	841653	1124A
635	Ensemble du Joint D'atanchette/Ressort	1126	Joint d'Étanchéité	690991	1126
635	Coude de Bougie d'allumage	1127	Vis	690991	1127
654	Ecrou	1128	Vis, Cuve de Flotteur	690990	1128
668	Entrotoise, Support de Commande	1169	Vis	690990	1169
668A	Entrotoise, Support de Commande	1329	Vis	44L777	1329
691	Joint d'Étanchéité	-3137-G5	Réemplazo de motor	273521	1330
697	Vis, Moteur de Rebobinage		Pièces de Remplacement		
703	Pince		Jeu de Garniture de Moteur		Clé No. 358
718	Goupille de Emplacement		Jeu de Garniture de Soupape		Clé No. 1095
741	Visse de Distribution		Jeu de Carburateur		Clé No. 121
742	Bague en E				
750	Vis				
783	Goupille d'Engrenage				
789	Harnais				
798	Vis, Couverture de Balancier				
801	Chapeau				
802	Chapeau				
842	Joint Torique, d'étanchéité				
847	Ensemble des Tube et Jauge de Rem-plissage d'huile				
850	Joint d'Étanchéité				
851	Borne, Bougie d'allumage				
865B	Couverture				
868	Joint d'étanchéité, Soupape				
877	Fil/Connecteur-Alternateur				
883	Garniture d'échappement				
914	Vis, Couverture de Balancier				
918	Tuyau				
918A	Tuyau				
943	Joint D'atanchette-Joint Torique (Cou-vert)				
947	Solénoïde-Carburant				
964	Chapeau-Connecteur				
965	Couverture-pompe à huile				
968	Couverture-Filtre À Air				
975	Cuve de Carburateur				
987	Joint Etanche Aux Poussières du Com-mandé des Gaz				
1005	Ventilateur de Volant du Moteur				
1012	Arrêt-Tige				
1013	Manchon de filtre d'acier				
1017	Ecran De La Pompe À Huile				
1022	Garniture, Couverture de Balancier				
1023	Couverture de Balancier				
1023A	Couverture (Cylindre 2)				
1024	Pompe À Huile				
1026	Tige à Frein				
1026A	Tige De Poussee (Aluminium)				
1027	Filtre				
1029	Bras de Balancier				
1036	Jeu d'étiquette (Fourni par un reven-deur autorisé Briggs & Stratton)				
1040	Plaque				
1051	Bague de Fermeture				
1054	Attache Plastique				
1058	Manuel de l'Opérateur				

REMARQUE: Toutes les dimensions de composant sont données en pouces E.-U. --1 pouce = 25,4 mm

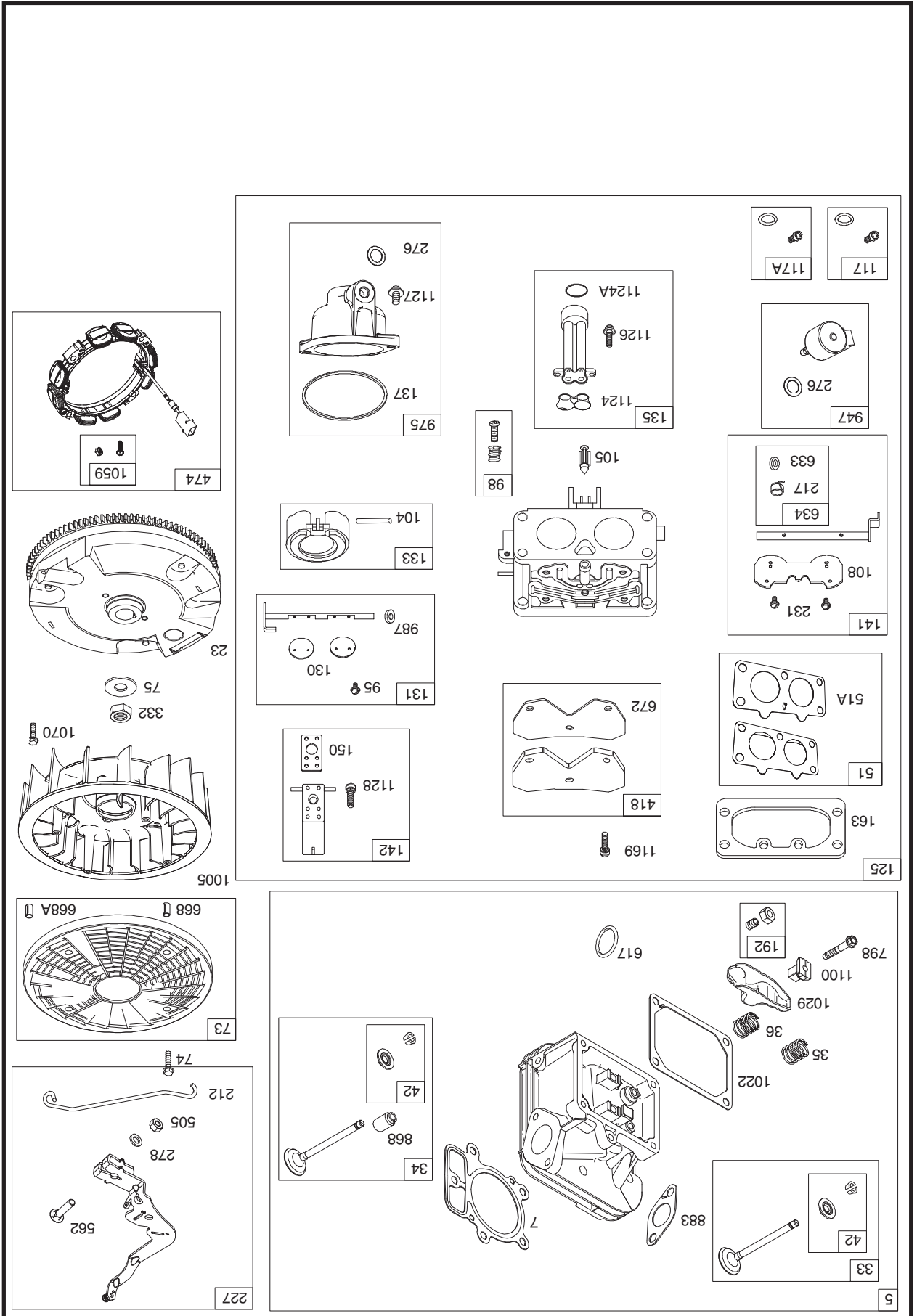
TRACTEUR - - NUMÉRO DE MODÈLE 944.603620
MOTEUR "BRIGGS & STRATTON" - NO. DE MODÈLE 407777, NO. DE TYPE 1582-G5

NO. DE DE	DESCRIPTION	NO. DE PIECE	DESCRIPTION	NO. DE PIECE
1	Ensemble du Cylindre	691001	Garniture de Filtre à Aire	163
2	Douille de Cylindre (Côté Magneto)	796532	Connecteur	186
3	Bague d'étanchéité (Côté Magneto)	391086	Connecteur	186A
4	Bac du Moteur	796307	Connecteur	845141
5	796231		Conduite d'Essence	791766
5A	796232		Vis, Support de Control	697551
7	693997		Balancier de Réglage	690083
8	792185		Vis	697820
9	690937		Ressort, Régulateur	798921
10	697551		Ressort du Ralenti Régulé	691019
11	792184		Raccord de Commande des Gaz	695238
12	697227		Raccord	796229
13	793988		Ressort-Etrangleur De Retour	695409
15	690946		Vitesse, Régulateur	793338
16	796237		Rondelle de Vitesse de Régulateur	690412
20	795387		Support du Carburateur	841026
22	694966		Support	798915
23	691054		Ensemble du Levier de Régulateur	798856
24	222698		Vis	690718
25	793647		Filtre d'Essence	695666
26	791787		Arrêt	690957
27	690975		Capteur d'huile	794389
28	696581		Bride de Serrage du Boîtier	691024
29	796209		Vis	792629
32	690976		Rondelle	695410
33	697576		Vis	792651
34	792200		Rondelle, Levier de Régulateur	792651
35	694865		Vis de Tube de Jauge d'huile	287
36	694865		Vis de Armature de Magneto	691108
37	694865		Armature de Magneto	691088
42	49586		Boîtier de Soufflerie	797407
45	690977		Vis H, Boîtier de Soufflerie	304
46	792555		Vis	691005
48	698172		Déflecteur;	307
50	695241		Protecteur de Cylindre	691003
51	795123		Vis, Protecteur de Cylindre	307A
51A	690950		Démarrateur de Rebobinage	697551
53	690951		Vis	497595
54	699816		Vis	310
73	494439		Garniture de Coude d'admission	690323
74	698425		Vis	497595
75	691056		Vis	309
95	690718		Vis	307A
98	699721		Vis à Sems de Montage de Soupape de	307
104	694918		Commande des Gaz	691003
105	797410		Rondelle	404
108	699723		Vis à Sems de Montage de Soupape de	808656
117	792296		Vis	797409
117A	842627		Vis	385
118	699457		Vis	358
118A	699733		Vis	694012
125	796227		Vis	793541
130	690993		Vis	337
131	499805		Vis	691061
133	699724		Vis	333
135	699729		Vis	332
137	690994		Vis	310
141	796228		Vis	309
142	699726		Vis	307A
146	690979		Vis	697551
150	690995		Vis	497595

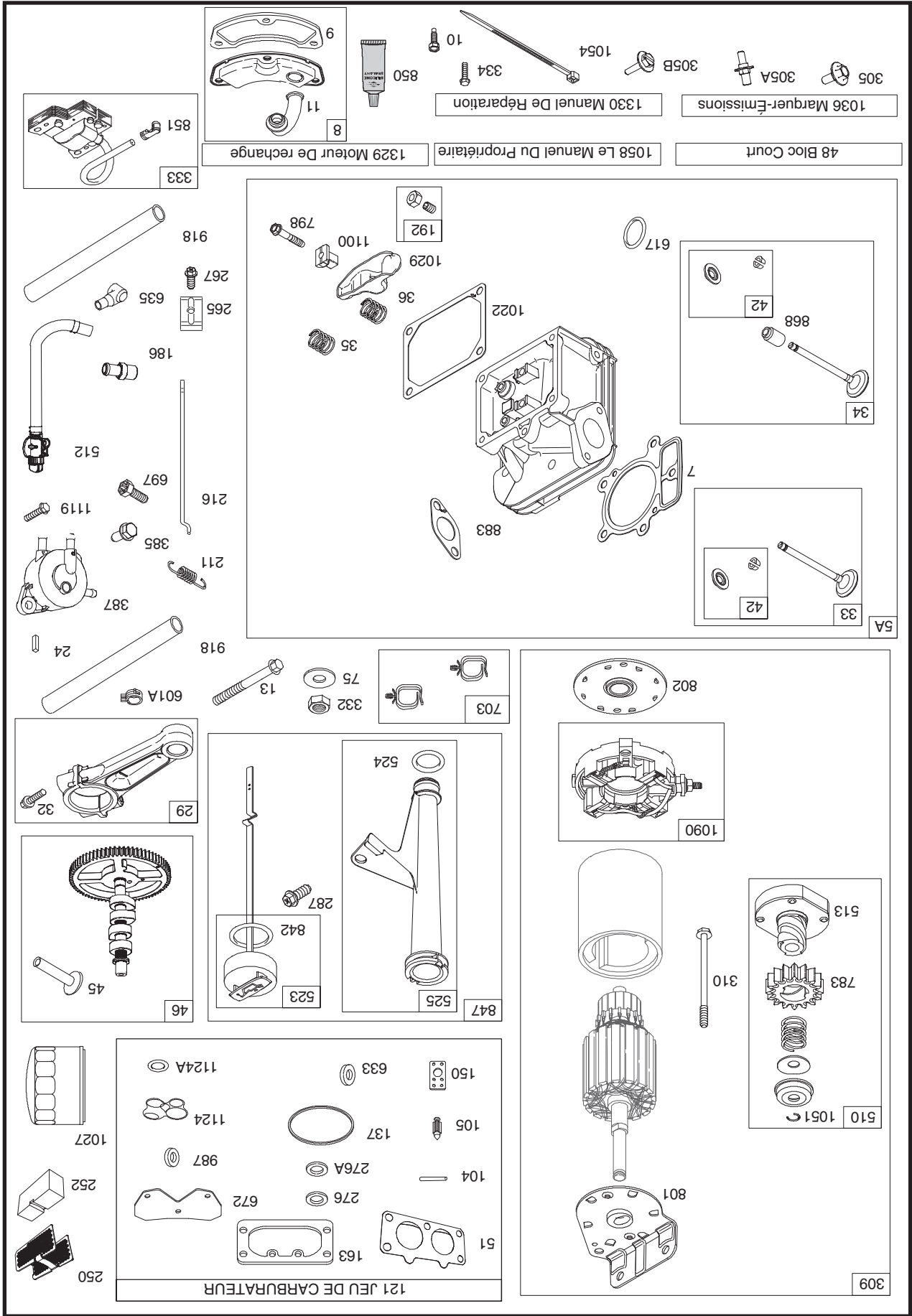
TRACTEUR - - NUMÉRO DE MODÈLE 944.603620
MOTEUR "BRIGGS & STRATTON" - NO. DE MODÈLE 407777, NO. DE TYPE 1582-G5



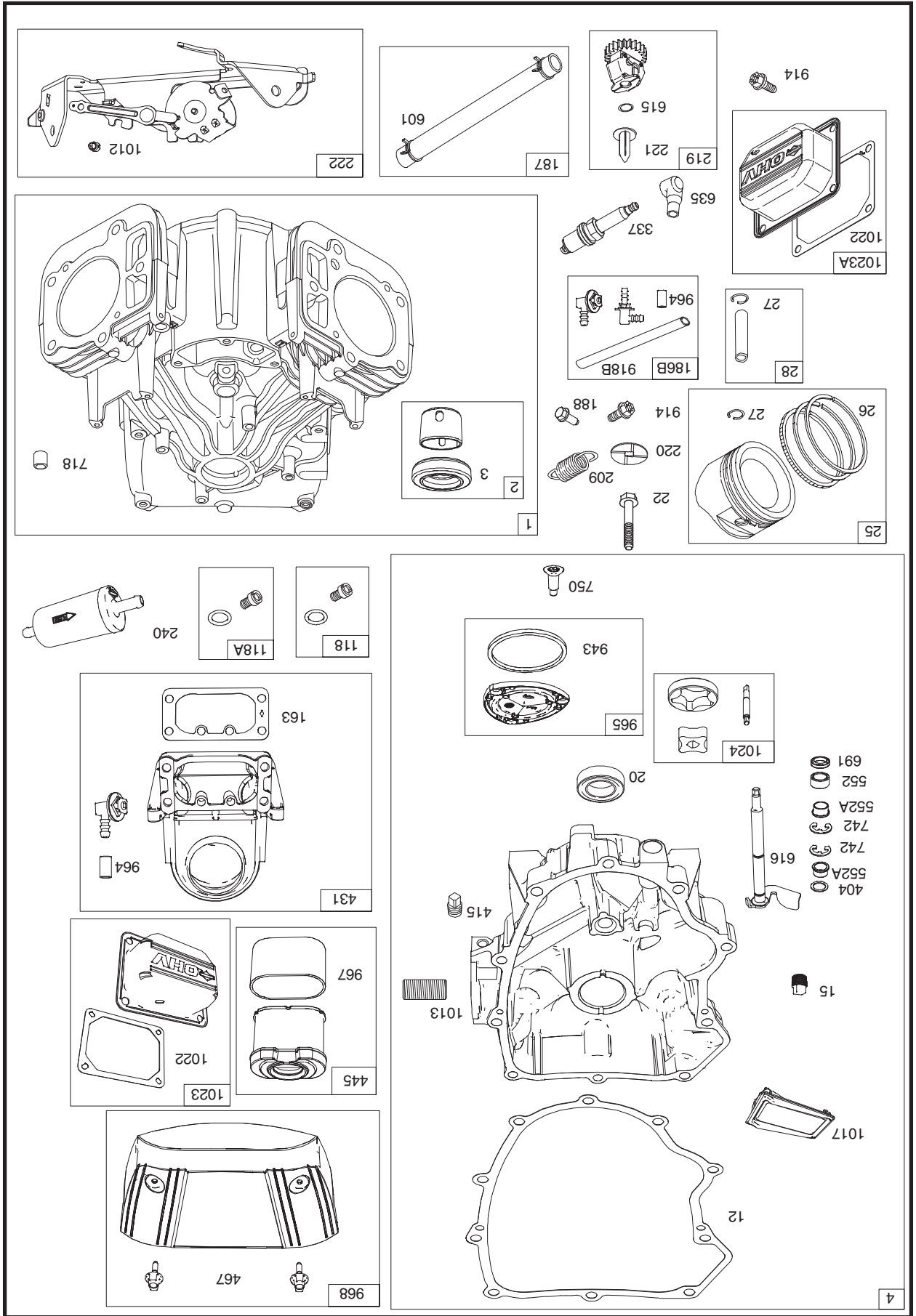
TRACTEUR - - NUMÉRO DE MODÈLE 944.603620
MOTEUR "BRIGGS & STRATTON" - NO. DE MODÈLE 407777, NO. DE TYPE 1582-G5



TRACTEUR - - NUMÉRO DE MODÈLE 944.603620
MOTEUR "BRIGGS & STRATTON" - NO. DE MODÈLE 40777, NO. DE TYPE 1582-G5



TRACTEUR - - NÚMERO DE MODELO 944.603620
 MOTEUR "BRIGGS & STRATTON" - NO. DE MODELO 407777, NO. DE TIPO 1582-G5



**TRACTEUR - - NUMÉRO DE MODÈLE 944.603620
TRANSMISSION "TUFFTORQ" - NO. DE MODÈLE K46BT**

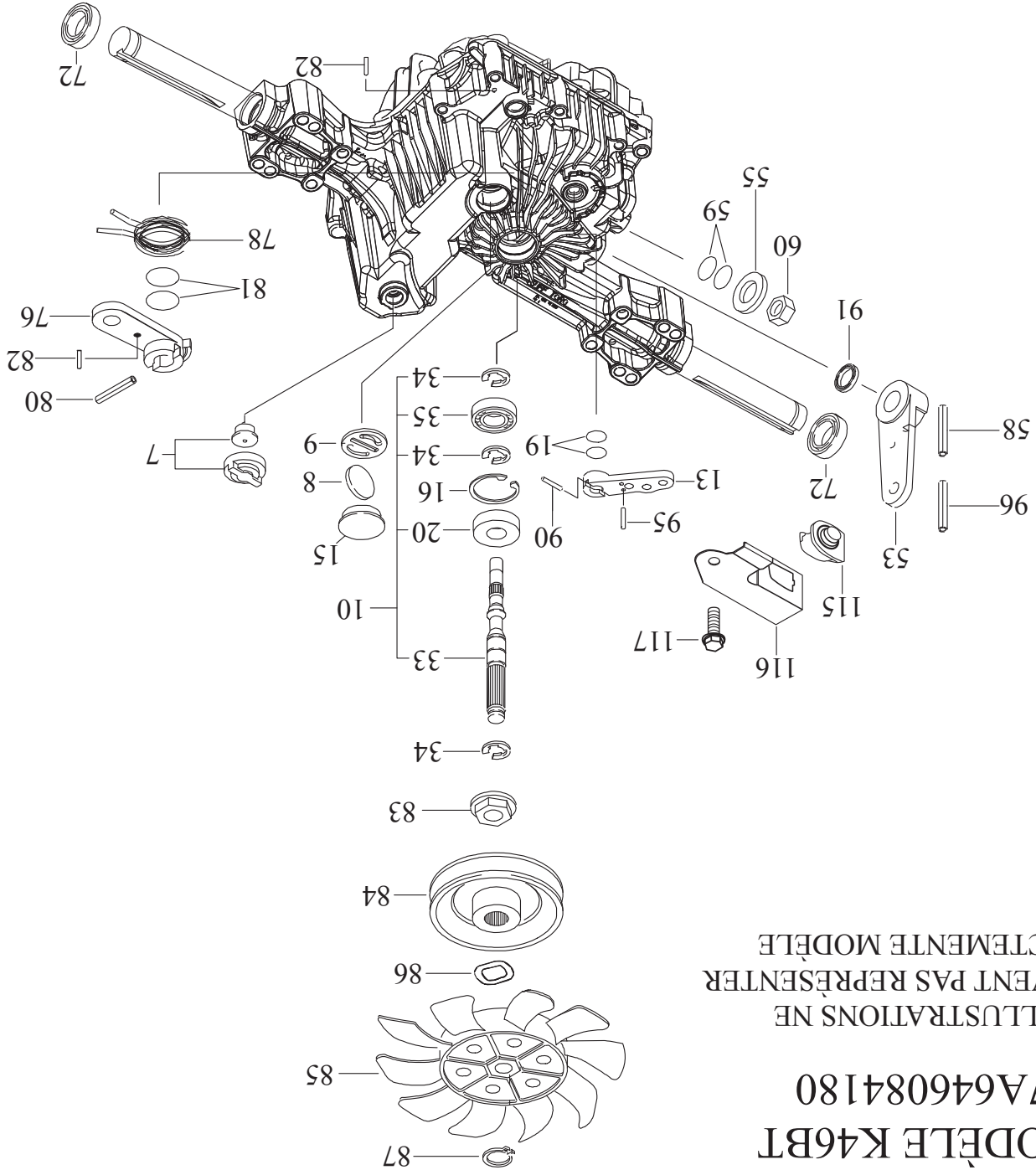
NO.	DE	PIECE	DESCRIPTION
7	414395	Conduit 15	
8	414396	Aimant	
9	414397	Porte-aimant	
10	415923	Pompe l'Arbre/Trousse de maintien	
13	414398	Sauter le levier	
15	414399	Casquette scellant 30	
16	414400	Claquer l'anneau C 35	
19	414401	O-anneau 1A P10a	
20	414402	Scellant Tc 153507	
33	414403	Pompe l'Arbre (Standard	
34	414404	E-anneau 15	
35	414405	Bearing 6202c3	
53	414431	Levier de commande	
55	415924	Rondelle 12	
58	415925	Rouler l'épingle 6 * 40	
59	415926	O-anneau 1A P14	
60	415927	Ecrou 12	
72	414407	Scellant 19 * 32 * 8	
76	414408	Levier de frein à main	
78	414409	Freiner le retour de printemps	
80	414410	Bondir l'épingle 5 * 32	
81	414411	O-anneau 1A P12	
82	414412	Bondir l'épingle 4 * 16	
83	414413	Col d'épine	
84	414414	Pouille L	
85	414415	Ventilateur, noir	
86	414416	Rondelle	
87	414417	Sonner le claquement	
90	414418	Bondir l'épingle 3.0a * 20	
91	414419	Huiler le cachet 16 * 22 * 03	
95	414850	Bondir l'épingle 3.0a * 16	
96	414420	Rouler l'épingle 3.5 * 40	
115	415928	Interrupteur 6440-11 DELTA	
116	415929	Support de Interrupteur	
117	415930	Vis 8 * 20	

REMARQUE: Toutes les dimensions de composant sont données en pouces E.-U. -- 1 pouce = 25,4 mm

**TRACTEUR - - NUMÉRO DE MODÈLE 944.603620
TRANSMISSION "TUFFTORQ" - NO. DE MODÈLE K46BT**

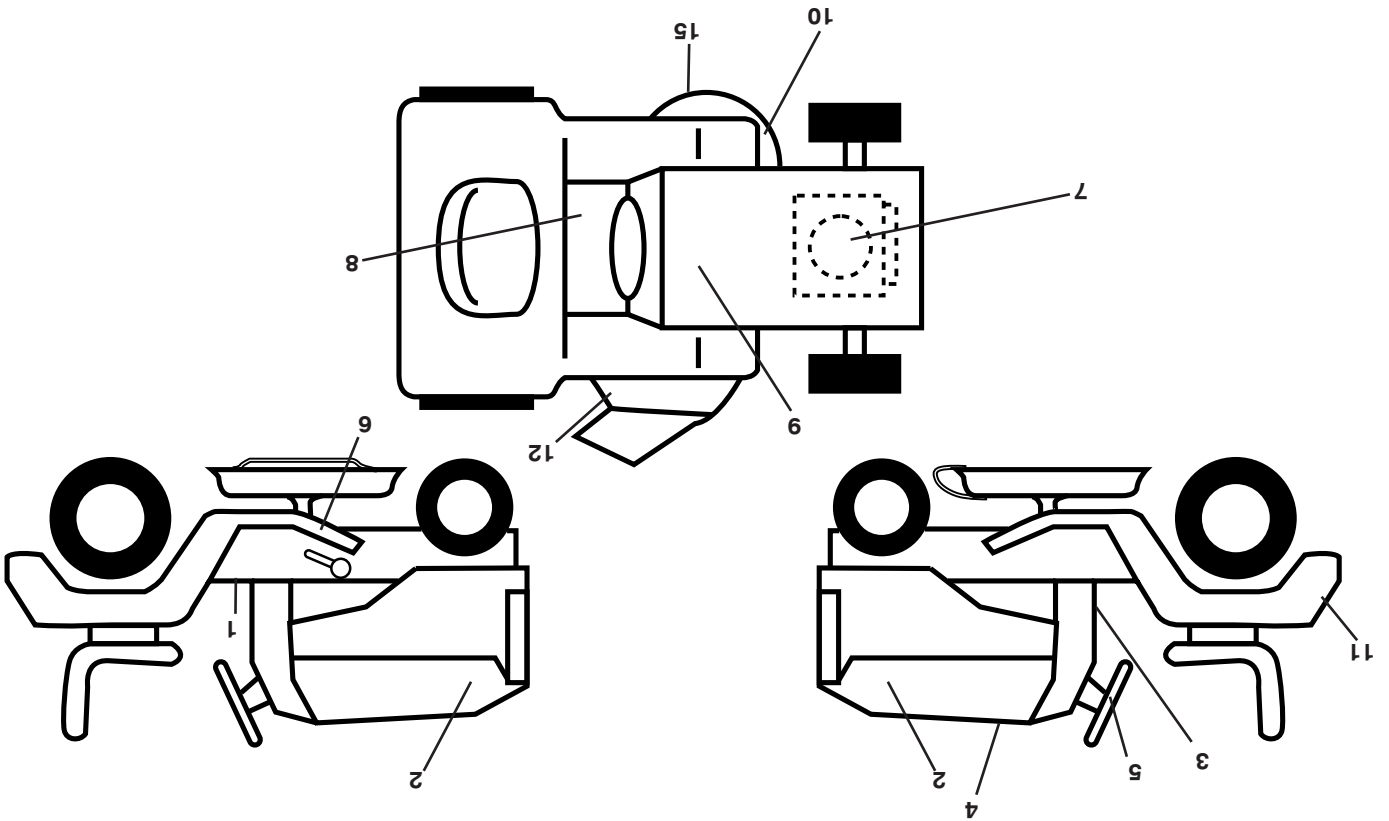
**MODÈLE K46BT
7A646084180**

LES ILLUSTRATIONS NE
PEUVENT PAS REPRÉSENTER
EXACTEMENT LE MODÈLE



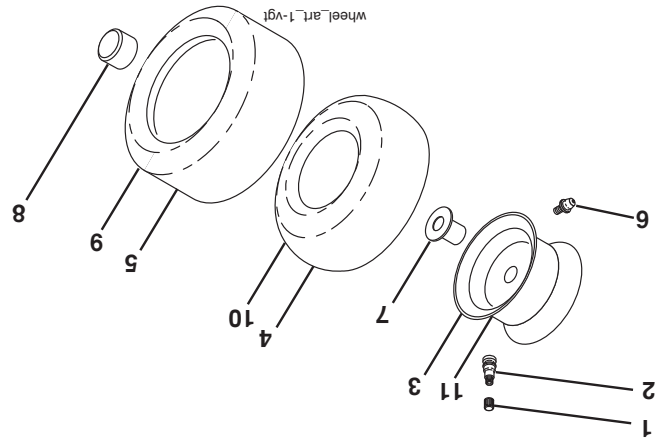
TRACTEUR -- NUMÉRO DE MODÈLE 944.603620

DECALCOMANIES



NO.	DÉ	PIÈCE	DESCRIPTION
1	581579001	DECALCOMANIE DE L'AILLE AVERTISSEMENT	DECALCOMANIE DE L'AILLE AVERTISSEMENT
2	443183	DECALCOMANIE CAPOT	DECALCOMANIE CAPOT
3	581579901	DECALCOMANIE DE ABAISSEZ TABLEAU DE	DECALCOMANIE DE ABAISSEZ TABLEAU DE
4	426906	DECALCOMANIE DE PIÈCES DE RECHANGE	DECALCOMANIE DE PIÈCES DE RECHANGE
5	439525	DECALCOMANIE VOLANT DE DIRECTION	DECALCOMANIE VOLANT DE DIRECTION
6	421534	DECALCOMANIE DE LA COURROIE TRAPÉZOÏDALE	DECALCOMANIE DE LA COURROIE TRAPÉZOÏDALE
7	426841	DECALCOMANIE DE MOTEUR	DECALCOMANIE DE MOTEUR
8	448709	DECALCOMANIE DE BATTERIE	DECALCOMANIE DE BATTERIE
9	149517	DECALCOMANIE DE DANGER/POISON DE LA	DECALCOMANIE DE DANGER/POISON DE LA
10	58158001	DECALCOMANIE DE TONDEUSE	DECALCOMANIE DE TONDEUSE
11	441121	DECALCOMANIE AILE	DECALCOMANIE AILE
12	581579501	DECALCOMANIE D'AVERTISSEMENT	DECALCOMANIE D'AVERTISSEMENT
15	426593	DECALCOMANIE DU CARTER PRCNS	DECALCOMANIE DU CARTER PRCNS
--	581724801	DECALCOMANIE L'AILLE DE DERIVATION	DECALCOMANIE L'AILLE DE DERIVATION
--	400981X428	COUSSIN	COUSSIN
--	193226X428	COUSSIN D'POSE-PIED CG	COUSSIN D'POSE-PIED CG
--	584439332	MANUEL DE L'OPERATEUR (ANGLAIS/FRANCAIS)	MANUEL DE L'OPERATEUR (ANGLAIS/FRANCAIS)
--	584439326	MANUEL DES PIÈCES DE RECHANGE (ANGLAIS/FRANCAIS)	MANUEL DES PIÈCES DE RECHANGE (ANGLAIS/FRANCAIS)

ROUES & PNEUS

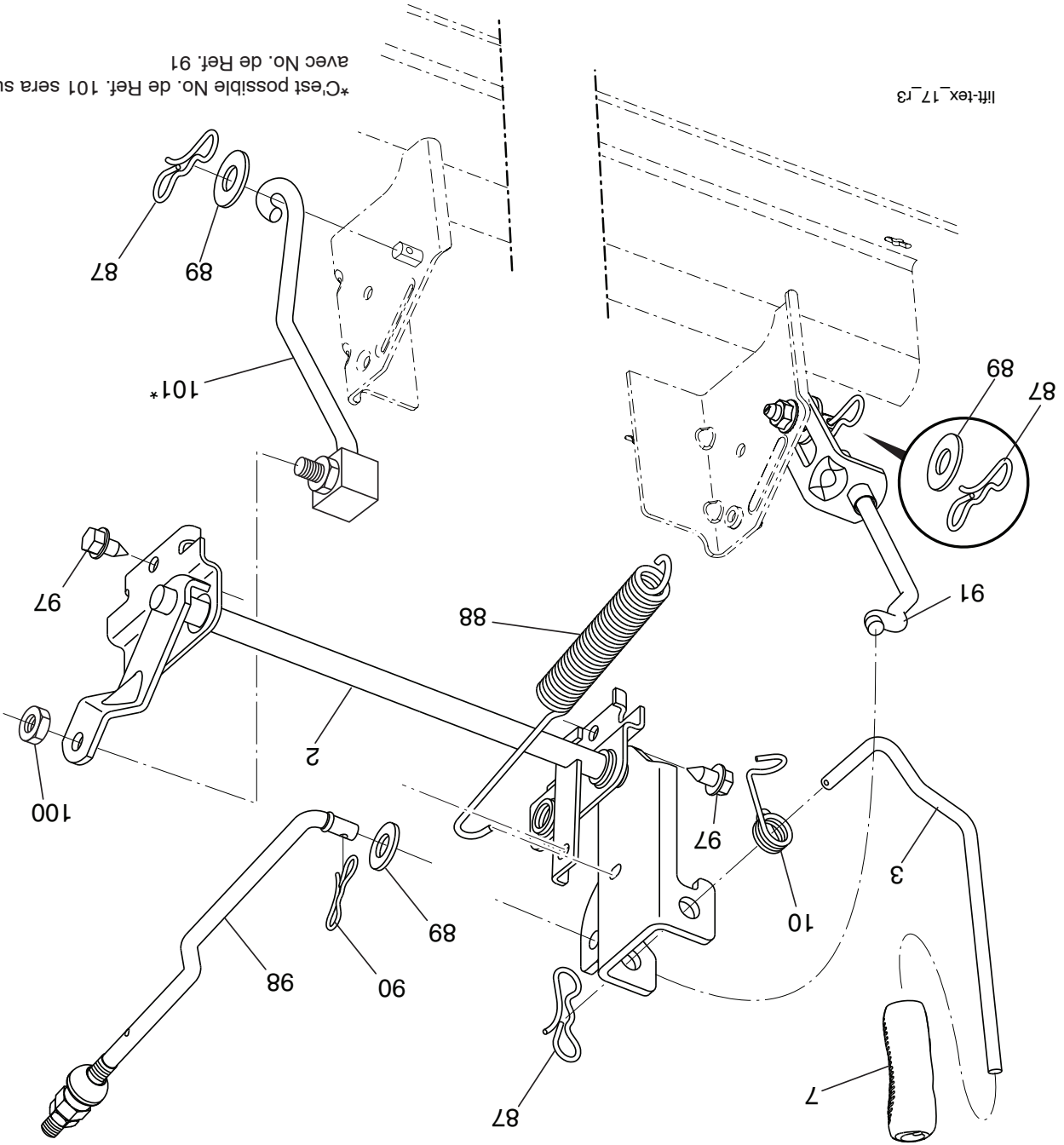


NO.	DÉ	PIÈCE	DESCRIPTION
1	59192	CAPUCHON DE LA VALVE DU PNEU	CAPUCHON DE LA VALVE DU PNEU
2	65139	TUBULURE DE LA VALVE	TUBULURE DE LA VALVE
3	106732X613	ENSEMBLE DE LA JANTE ANTERIEURE	ENSEMBLE DE LA JANTE ANTERIEURE
4	59904	CHAMBRE A AIR ANTERIEURE (NON FOURNIE)	CHAMBRE A AIR ANTERIEURE (NON FOURNIE)
5	106222X	PNEU ANTERIEUR 15 X 6,0-6	PNEU ANTERIEUR 15 X 6,0-6
6	278H	GRAISSEUR (ROUE ANTERIEURE SEULEMENT)	GRAISSEUR (ROUE ANTERIEURE SEULEMENT)
7	9040H	PALIER A BRIDE (ROUE ANTERIEURE SEULEMENT)	PALIER A BRIDE (ROUE ANTERIEURE SEULEMENT)
8	104757X428	CHAPEAU DE L'ESSIEU	CHAPEAU DE L'ESSIEU
9	138468	PNEU ARRIERE 20 X 8-8	PNEU ARRIERE 20 X 8-8
10	7152J	CHAMBRE A AIR ARRIERE (NON FOURNIE)	CHAMBRE A AIR ARRIERE (NON FOURNIE)
11	106108X613	ENSEMBLE DE LA JANTE ARRIERE	ENSEMBLE DE LA JANTE ARRIERE
--	144334	JOINT D'ETANCHEITE DE PNEU (TUBE DE .30L [10 oz. Tube])	JOINT D'ETANCHEITE DE PNEU (TUBE DE .30L [10 oz. Tube])

REMARQUE: Toutes les dimensions de composants sont données en pouces E.-U. --1 pouce = 25,4 mm

TRACTEUR - - NUMÉRO DE MODÈLE 944.603620

LEVAGE DE LA TONDEUSE



*C'est possible No. de Ref. 101 sera substitué avec No. de Ref. 91

REMARQUE: Toutes les dimensions de composant sont données en pouces E.-U. -- 1 pouce = 25,4 mm.

NO. DE REF.	DESCRIPTION
91	Raccord de levage
97	Vis H 3/8-16 x 3/4
98	Raccord de levage
100	Ecrou 3/8-16 unc
101	Raccord

NO. DE REF.	DESCRIPTION
2	Ensemble de l'arbre
3	Levier de Levage
7	Poignée cannelée du levier
10	Ressort de Torsion
87	Goupille fendue 7/16
88	Ressort de retenue
89	Rondelle
90	Goupille fendue 5/16

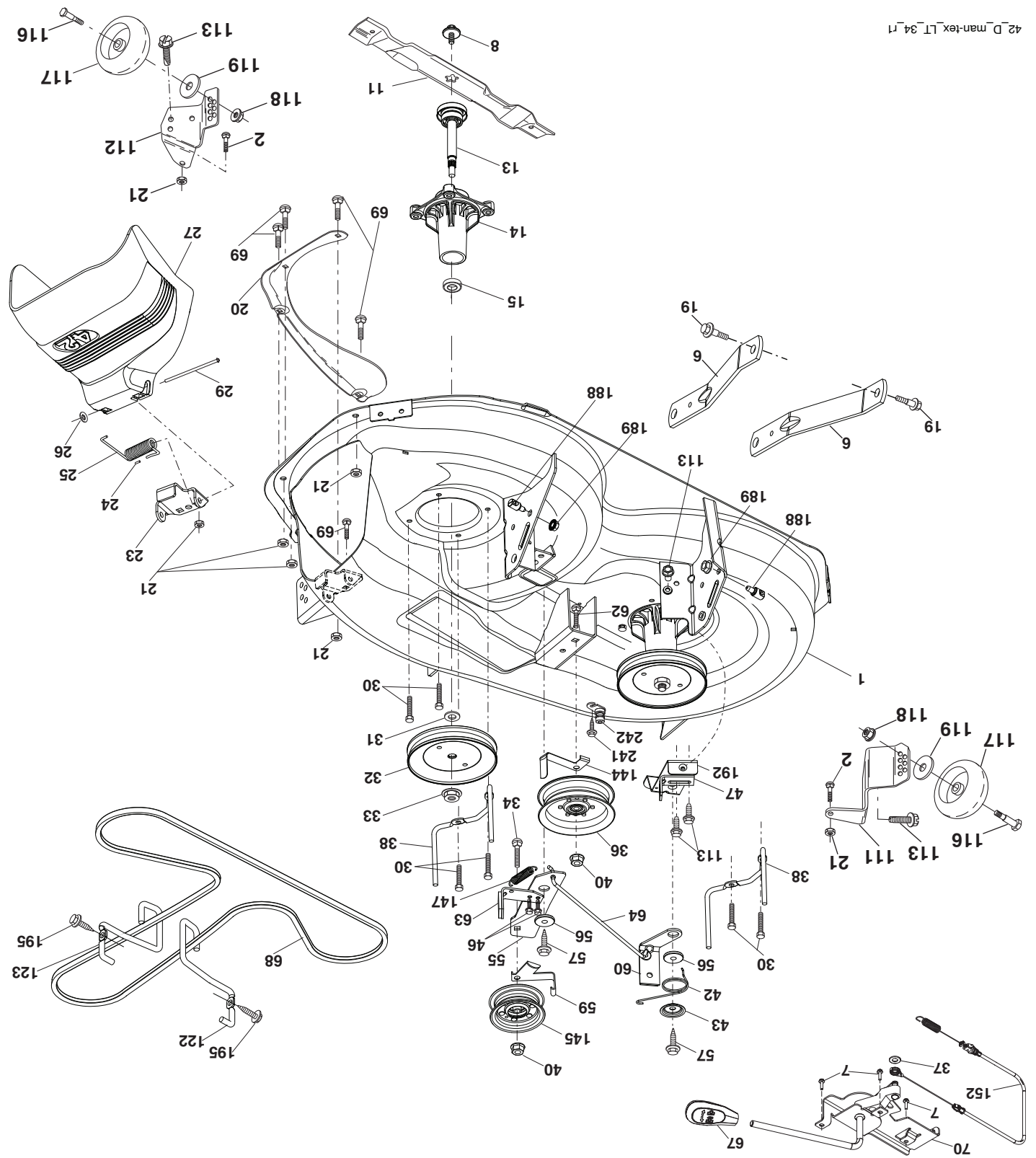
TRACTEUR - - NUMÉRO DE MODÈLE 944.603620

CARTER DE TONDEUSE

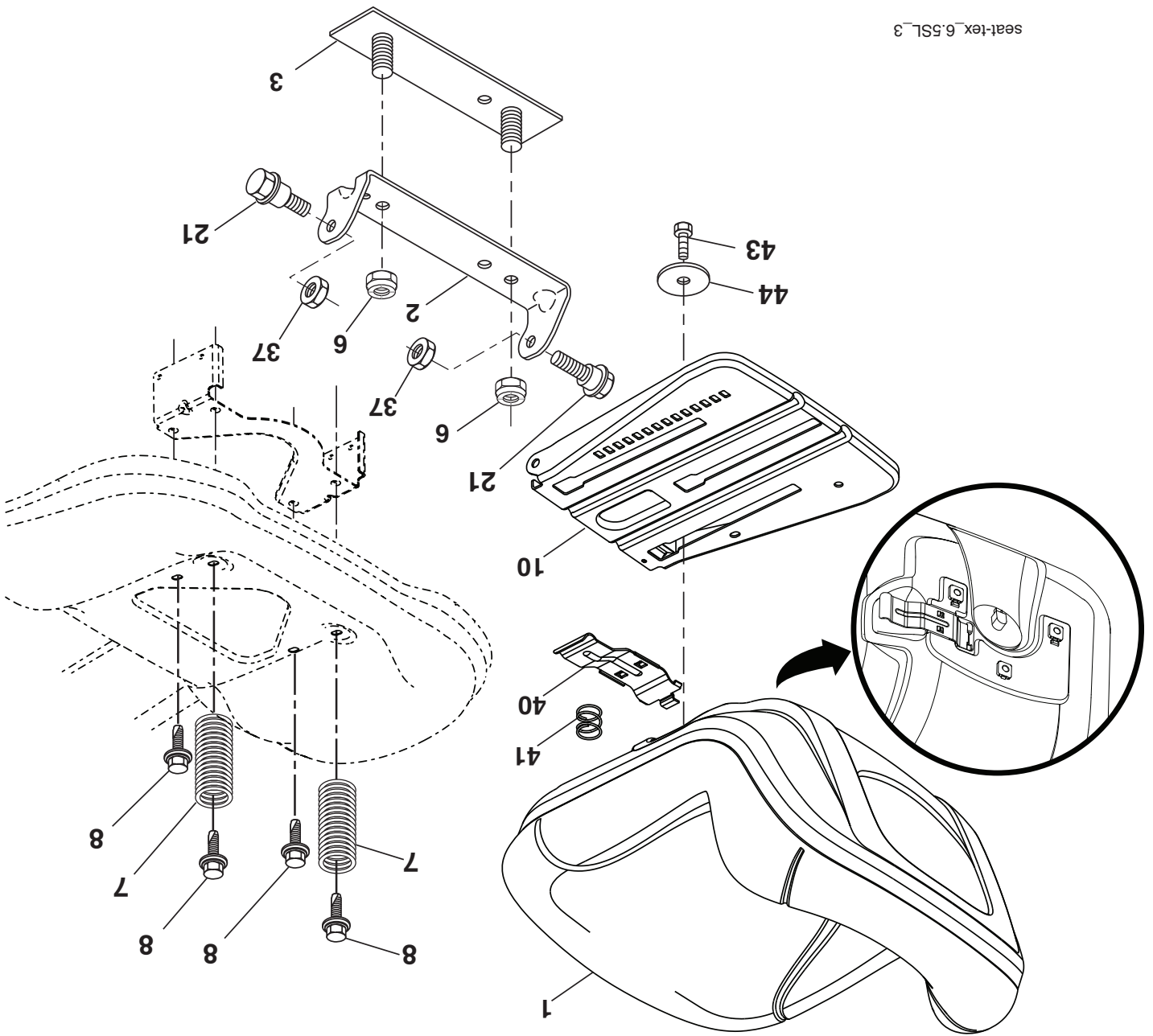
NO. DÉ	REF. PIÈCE	DESCRIPTION	NO. DÉ	REF. PIÈCE	DESCRIPTION
1	196495X615	Boîtier de tondeuse	1	424752	La lame, 3N1
2	72140506	Boulon 5/16-18 unc x 3/4	2	422719	La lame, 3N1 la Prime
6	195186	Bras de suspension	6	139775	La lame, 42" Paillet la Prime (Pour
7	416358	Vis #10 x .750	7	138971	La lame, 42" Salut-Soulève (Pour
8	193003	Ensemble du Boulon/Rondelle 7/16-20 unft	8	134149	La lame, 42" Paillet Standard (Pour
11	424752	La lame, 3N1	11	1700510	Boulon
11	424752	La lame, 3N1	11	4898H	Boulon
14	18281	Carter du mandrin	11	188606	Support de roue
14	18281	Carter du mandrin	11	188606	Support de roue
15	110485X	Roulement à billes du Mandrin	11	188606	Support de roue
15	110485X	Roulement à billes du Mandrin	11	188606	Support de roue
19	196539	Boulon à épaulement	11	188606	Support de roue
20	159770	Çhicanne	11	188606	Support de roue
21	73680500	Ecroû auto-serrant 5/16-18 unc	11	188606	Support de roue
23	192557	Support du déflecteur	11	188606	Support de roue
23	192557	Support du déflecteur	11	188606	Support de roue
24	105304X	Chapeau de manchon	11	188606	Support de roue
25	197026	Ressort de torsion	11	188606	Support de roue
26	110452X	Frein ecron	11	188606	Support de roue
27	424469	Déflecteur de décharge	11	188606	Support de roue
29	131491	Tige à charnière	11	188606	Support de roue
30	173984	Vis à filets lamines	11	188606	Support de roue
31	187690	Entretoise	11	188606	Support de roue
32	197473	Poulie du Mandrin	11	188606	Support de roue
33	400234	Ecron	11	188606	Support de roue
34	72110612	Boulon 3/8-16 x 1-1/2 Cat. 5	11	188606	Support de roue
36	197379	Poulie de tension, 4.50 RAW	11	188606	Support de roue
37	19131316	Rondelle 13/32 x 13/16 x 16 Ja.	11	188606	Support de roue
38	432520	Guide-courroie du Mandrin	11	188606	Support de roue
40	73900600	Ecroû frein 3/8-16 unc	11	188606	Support de roue
42	198410	Ressort le Frein de Torsion	11	188606	Support de roue
43	192556	Ressort la Torsion de retenue	11	188606	Support de roue
46	137229	Vis 1/4-20 x 5/8	11	188606	Support de roue
47	197250	Support du câble d'embrayage	11	188606	Support de roue
55	437110	Bras du galet-tendeur	11	188606	Support de roue
56	199092	Entretoise	11	188606	Support de roue
57	17000616	Vis 3/8-16 x 1	11	188606	Support de roue
59	141043	Protecteur	11	188606	Support de roue
60	197261	Levier de frein	11	188606	Support de roue
62	72110616	Boulon 3/8-16 unc x 2	11	188606	Support de roue
63	199477	Levier de frein	11	188606	Support de roue
64	199790	Raccord	11	188606	Support de roue
67	198398X667	Guidon du câble d'embrayage	11	188606	Support de roue
68	429636	Courroie trapézoïdale	11	188606	Support de roue
69	72140505	Boulon 5/16-18 x 5/8	11	188606	Support de roue
70	199972	Ensemble du embrayage	11	188606	Support de roue
111	404784	Console du Support de Roue C.G.	11	188606	Support de roue
112	404785	Console du Support de Roue C.D.	11	188606	Support de roue
113	17000510	Vis 5/16-18	11	188606	Support de roue
116	4898H	Boulon	11	188606	Support de roue
117	188606	Support de roue	11	188606	Support de roue
118	73900600	Ecroû frein 3/8-16 unc	11	188606	Support de roue
119	19121414	Rondelle 3/8-7/8 x 14 Ja.	11	188606	Support de roue
122	197258	Guide-courroie du Moteur C.G.	11	188606	Support de roue
123	197259	Guide-courroie du Moteur C.D.	11	188606	Support de roue
144	199204	Guide-courroie	11	188606	Support de roue
145	193197	Poulie de tension principal	11	188606	Support de roue
147	401971	Ressort de rappel	11	188606	Support de roue
152	584243501	Câbler le Manuel d'Embrayage	11	188606	Support de roue
188	195161	Attache	11	188606	Support de roue
189	73900500	Ecroû frein	11	188606	Support de roue
192	197260	Support C.G.	11	188606	Support de roue
195	17000612	Vis 3/8-16 x 3/4	11	188606	Support de roue
241	152927	Vis	11	188606	Support de roue
242	415598	Raccord de lavage du plateau de coupe	11	188606	Support de roue
416405	416405	Connecter d'accouplement du rapide	11	188606	Support de roue
192870	192870	Ensemble du mandrin (Inclut boîtier	11	188606	Support de roue
437732	437732	La Tondeuse à gazon de remplace-ment, Complet	11	188606	Support de roue

REMARQUE: Toutes les dimensions de composant sont données en pouces E.-U. -- 1 pouce = 25,4 mm.

TRACTEUR - - NUMÉRO DE MODÈLE 944.603620
CARTER DE TONDEUSE



TRACTEUR -- NUMÉRO DE MODÈLE 944.603620
ENSEMBLE DU SIÈGE



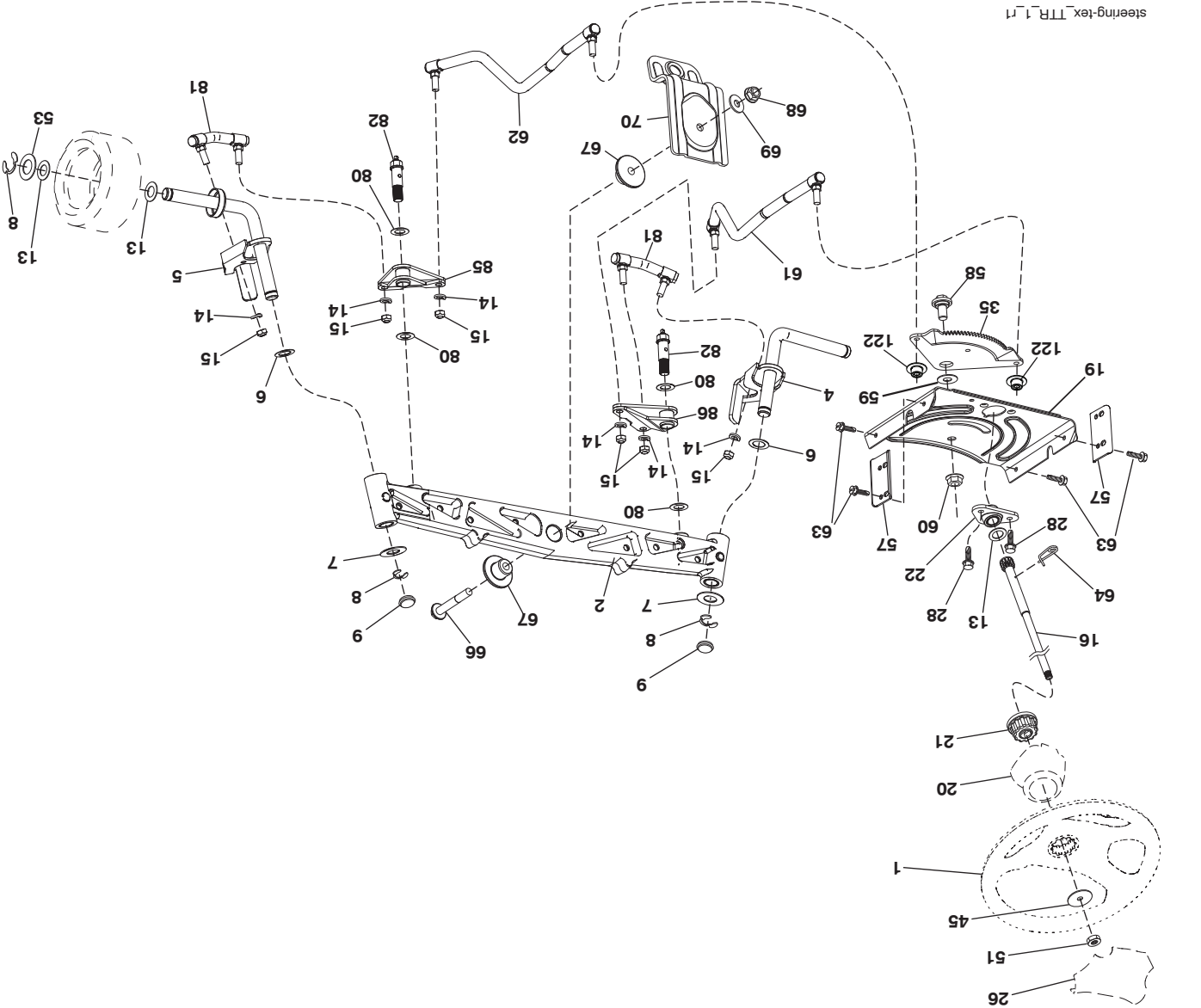
NO.	DÉ	REF.	PIÈCE	DESCRIPTION
1		423645		Siège
2		180166		Support de pivot
3		140675		Support de siège
6		73800600		Contre-écrou avec rondelle insert 3/8-16
7		124181X		Ressort de compression du siège
8		171877		Boulon 5/16-18 unc x 3/4
10		196977		Panneau du siège
21		171852		Boulon 5/16-18
37		73800500		Contre-écrou 5/16-18
40		197661		Poignée glissant du siège
41		198200		Ressort du loquet
43		74760612		Boulon 3/8-16 x 3/4
44		19133812		Rondelle 13/32 x 2 3/8 x 12 Ja.

REMARQUE: Toutes les dimensions de composant sont données en pouces E.-U. -- 1 pouce = 25,4 mm

TRACTEUR - - NUMÉRO DE MODÈLE 944.603620

ENSEMBLE DE LA DIRECTION

steering.tex_TTR_1.r1



NO. DE DÉ	PIÈCE	DESCRIPTION	NO. DE DÉ	PIÈCE	DESCRIPTION
1	414803X428	Volant de Direction	57	407465	Support d'Arrêt Supérieur
2	436870	Essieu	58	194747	Boulon CFM
4	436873	Broche C.G.	59	194748	Rondelle
5	436874	Broche C.D.	60	73971000	Ecrou Frein 5/8-11
6	6266H	Rondelle 0,75 x 1,23	61	436884	Raccord, LH
7	121748X	Rondelle 25/32 x 1-5/8 x 16 ja.	62	436885	Raccord, RH
8	1200029	Rondelle Clip #T5304-75	63	17000512	Vis 5/16-18 x 3/4
9	184946X667	Capuchon de Broche	64	199849	Collier de Retenu
13	121749X	Rondelle 25/32 x 1-1/4 x 16 ja.	66	71020748	Boulon 7/16-14 x 3
14	10040600	Rondelle frein 3/8	67	194737	Coussinet
15	73540600	Ecrou Auto-Serrant 3/8-24 unft	68	73900700	Ecrou Frein 7/16-14 Cat. 5
16	440785	Arbre	69	199162	Rondelle 1,5 x ,505 x ,118
19	194729	Plaque	70	196197	Support
20	199676X428	Couvercle de Direction	80	1370H	Rondelle
21	437747	Adaptateur de Direction	81	436887	Raccord C.D.
22	194845	Coussinet	82	436877	Pivot Boulon
26	414852X428	Insert	85	441873	Pivot C.D.
28	17000612	Vis 3/8-16 x 3/4	86	441872	Pivot C.G.
35	440770	Secteur Dente	122	444962	Tapa
45	19183812	Rondelle			
51	73940800	Ecrou H 1/2-20 unft			
53	188967	Rondelle Durcie ,793 x 1,637 x ,060			

REMARQUE: Toutes les dimensions de composant sont données en pouces E.-U. -- 1 pouce = 25,4 mm

TRACTEUR - - NUMÉRO DE MODÈLE 944.603620

MOTEUR

NO. NO. DÉ DE RÉF. PIÈCE DESCRIPTION

1	---	Moteur B&S-No. de modèle 407777-1582-G5 (442318) (Voyez Les
2	149723	Détails De Moteur)
		Silencieux
9	194320	Ensemble de la guide courroie du
		moteur
12	405471	Pouille
15	581290101	Réservoir d'essence
18	430220	Chapeau
20	421473X428	Commande des gaz/Starter
21	416358	Vis #10 x 0.750 BOS Fill
28	401137	Conduite d'essence
29	137180	Jeu de pare - étincelles
37	123487X	Bride de serrage de tuyau
42	10040700	Rondelle frein 7/16
45	73510400	Ecroû H 1/4-20 unc
62	434017	Pare-chaleur de Silencieux
69	165391	Garniture
70	581881101	Tuyau CG
71	581881001	Tuyau CD
79	183906	Vis de Coussinet 5/16-18 x 1
84	17060620	Vis 3/8-16 x 1 1/4
85	173937	Boulon 7/16-20 x 4 Cat. 5 1.5 Thr
87	171877	Boulon 5/16-18 unc x 3/4
90	17000616	Vis 3/8-16 x 1
96	19091416	Rondelle 9/32 x 7/8 x 16
97	17670412	Vis 1/4-20 x 3/4

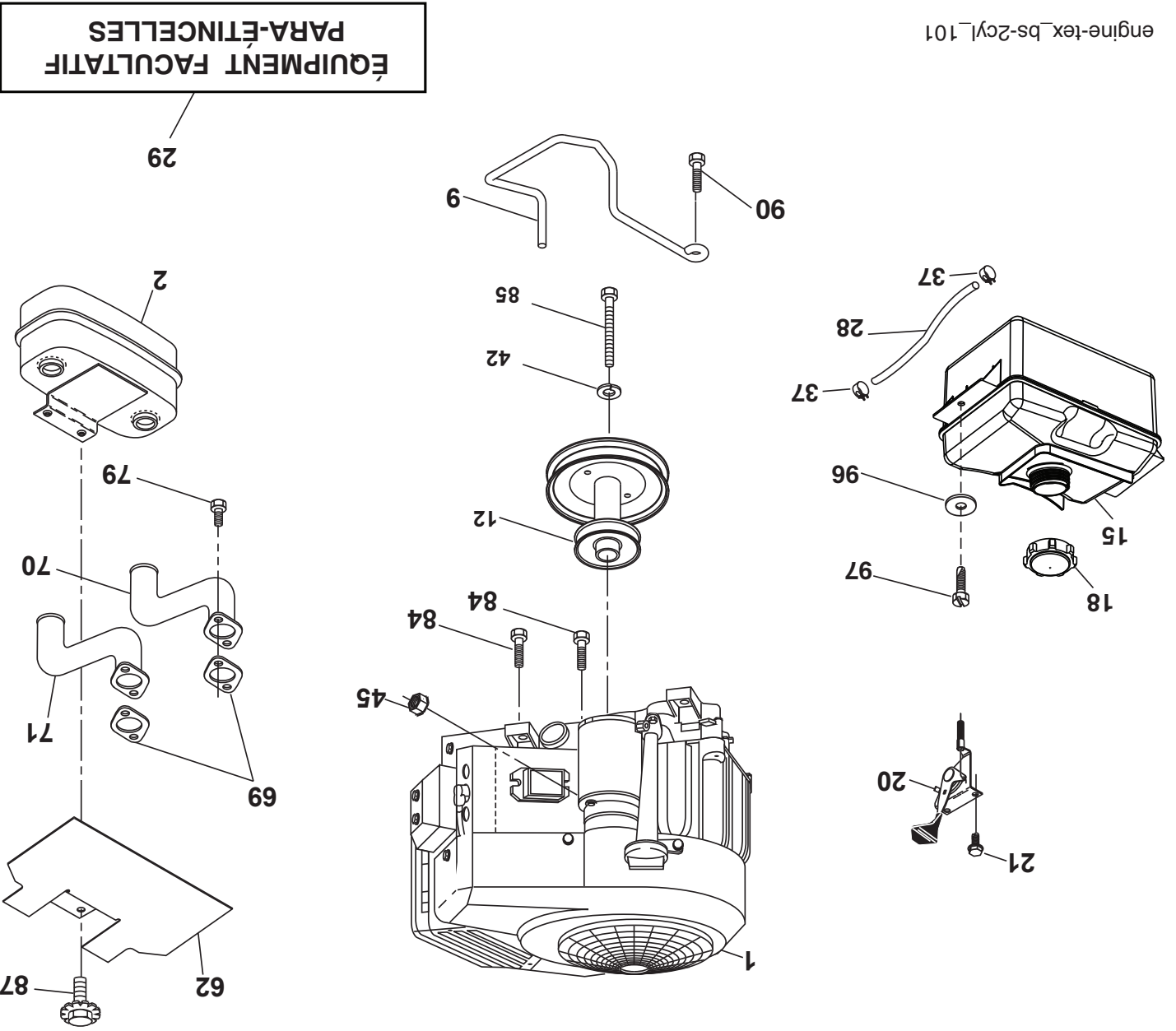
REMARQUE: Toutes les dimensions de composant sont données en pouce d'E.-U. - - 1 pouce = 25,4 mm.

Pour des pièces de service et de rechange de moteur, réclamez le numéro de téléphone libre pour votre fabricant de moteur énuméré ci-dessous:

Briggs & Stratton 1-800-233-3723

Informations concernant la puissance théorique du moteur

La puissance brute pour chaque Modèle de moteur à essence est indiquée conformément au code J1940 (procédure de calcul de la puissance et du couple des petits moteurs) de la SAE (Society of Automotive Engineers) et les performances théoriques ont été obtenues et corrigées selon SAE J1995 (révision 2002-05). Les valeurs de couple sont calculées sur la base de 3060tr/min et celles de puissance sur la base de 3600tr/min. La puissance brute réelle du moteur peut être plus faible notamment à cause des conditions de fonctionnement et des variations d'un moteur à l'autre. Compte tenu de la grande variété de machines sur lesquelles nos moteurs sont utilisés et du nombre de problèmes environnementaux applicables au fonctionnement des équipements, il se peut que le moteur à essence ne développe pas sa puissance théorique une fois qu'il est monté sur une machine particulière (puissance nette ou réelle «sur site»). Cette différence s'explique par un grand nombre de facteurs, tels que (liste non limitative): accessoires (filtre à air, échappement, admission, refroidissement, carburateur, pompe à essence, etc.), limites d'utilisation, conditions ambiantes d'utilisation (température, humidité, altitude) et variations d'un moteur à l'autre. Pour des raisons de fabrication et de capacité limitées, Briggs & Stratton est susceptible de remplacer ce Modèle par un moteur plus puissant.



TRACTEUR - - NUMÉRO DE MODÈLE 944.603620

ENTRAÎNEMENT

NO.	DE	PIECE	DESCRIPTION	NO.	DE	PIECE	DESCRIPTION
1	-	-	-	171	171	10616	Boulon
2	123583X		Cle	183	137057		Ressort
15	19131316		Rondelle 13/32 x 13/16 x 16 Ja.	184	196439X667		Guidon
17	413678		Ressort De Frein	185	72110622		Boulon 3/8-16 x 2-3/4
26	199679		Ressort de rappel	186	194321		Ressort de retenue
29	403806		Tige du frein	187	19133210		Rondelle
33	1200001		Bague en E	188	194323		Raccord d'embrayage
35	583864501		Tige du frein de stationnement	189	194317		Levier coudé
42	8883R		Couverture de la pédale	190	194318		Guide
49	72110614		Boulon	199	121748X		Rondelle 25/32 x 1-5/8 x 16 Ja.
50	194327		Poulie du galet-tendeur	206	448596		Support
51	73900600		Ecrou frein 3/8-16	207	197868		Loquet
52	194326		Galet-tendeur	208	197869		Secteur denté
56	130969		Courroie trapézoïdale	209	199592		Tige
64	197865		Ensemble de l'arbre	210	400980		Culbuteur
73	74490540		Boulon Hex Flighd 5/16-18 Cat. 5	211	120183X		Palier de nylon
80	440619		Attache	213	196441X428		Boulon
92	74760520		Boulon H 5/16-18 unc x 1.25	214	421263		Pédale en avant
99	415742		Commande de dérivation	215	197301X428		Pédale contraire
116	73900500		Ecrou frein H 5/16-18	216	196131		Support poulie
125	17000512		Vis 5/16-18 x 3/4	221	403187		Ressort de retenue attache guidon
143	17490508		Vis 5/16-18 x 1/2	222	79212010		Rondelle 21/32 x 1-1/4 x 10 Ja.
153	4497H		Ressort D'Arrêtoir	225	403319		Guide-courroie
159	76020412		Goupille fendue 1/8 x 3/4	226	401564		Support
160	169484		Collier de retenue	227	17490512		Vis 5/16-18 x 3/4
161	105709X		Ressort de rappel d'embrayage	230	188967		Rondelle Durcie
163	448275		Tige de Pédale				
166	429164		Rondelle Frein .625				
167	405257		Loquet				
170	194322		Guide-courroie				

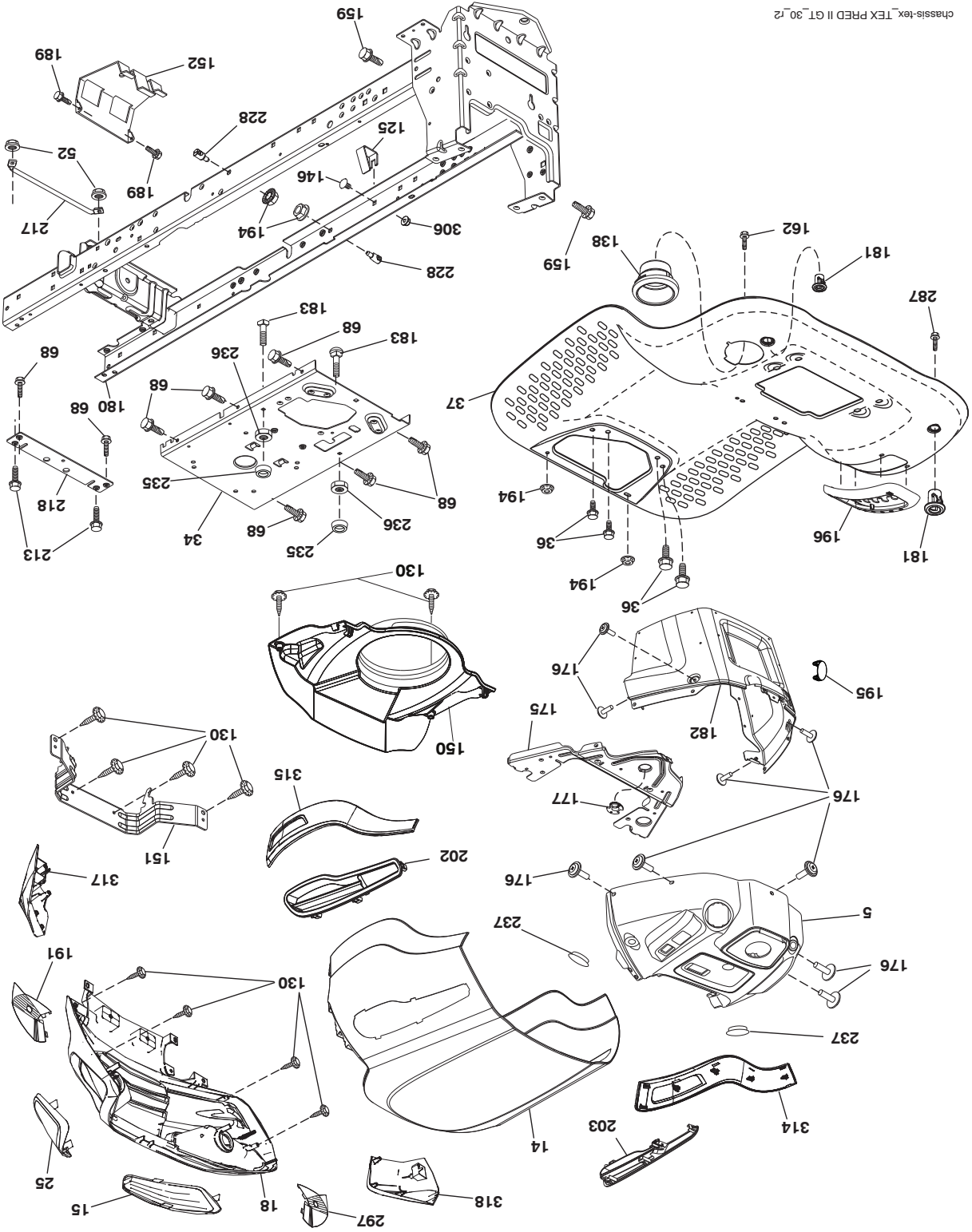
REMARQUE: Toutes les dimensions de composant sont données en pouces E.-U. --1 pouce = 25,4 mm

TRACTEUR - - NUMÉRO DE MODÈLE 944.603620
CHÂSSIS/ENCEINTES

NO. DE PIÈCE	DESCRIPTION
5	Tableau de bord
14	Capot
15	Lentille CG
18	Calandre
25	Lentille CD
34	Plaque de moteur
36	Vis 5/16-18 x 3/4
37	Alle
52	Ecrou frein 5/16-18
68	Vis 5/16-18 x 1/2
130	Vis #10 x 0.750 BOS Fil
138	Tenante de tasse
150	Canalisation
151	Support
152	Deflecteur
159	Vis 3/8-16 x 3/4
162	Vis H 1/4 x 1/2
175	Pièce d'entretoisement
176	Vis 10-24 x 5/8
177	Coussinet
180	Châssis
181	Coussinet
182	Tableau de bord
183	Boulon 5/16-18 x 1-1/4
189	Vis 5/16-18 x 3/4
191	Insert du réflecteur CD
194	Ecrou frein H 5/16-18
195	Bouchon
196	Panneau du tableau de bord
202	Ventille CD
203	Ventille CG
213	Boulon 5/16-18 unc x 3/4
217	Tige
218	Arrêt de capot
228	Attache De Goujon
235	Entretoise
236	La serrure de Centre de Ecrou 5/16-18 unc
237	Boucher le Mont
287	Vis 1/4-20 x 3/8
297	Insert du réflecteur CG
314	Moulure CG
315	Moulure CD
317	Chapeau CD
318	Chapeau CG
-	Tapon

REMARQUE: Toutes les dimensions de composant sont données en pouces E.-U. --1 pouce = 25,4 mm

TRACTEUR - - NUMÉRO DE MODÈLE 944.603620
CHÂSSIS/ENCEINTES



chassis-tex_TEX PREED II GT_30_r2

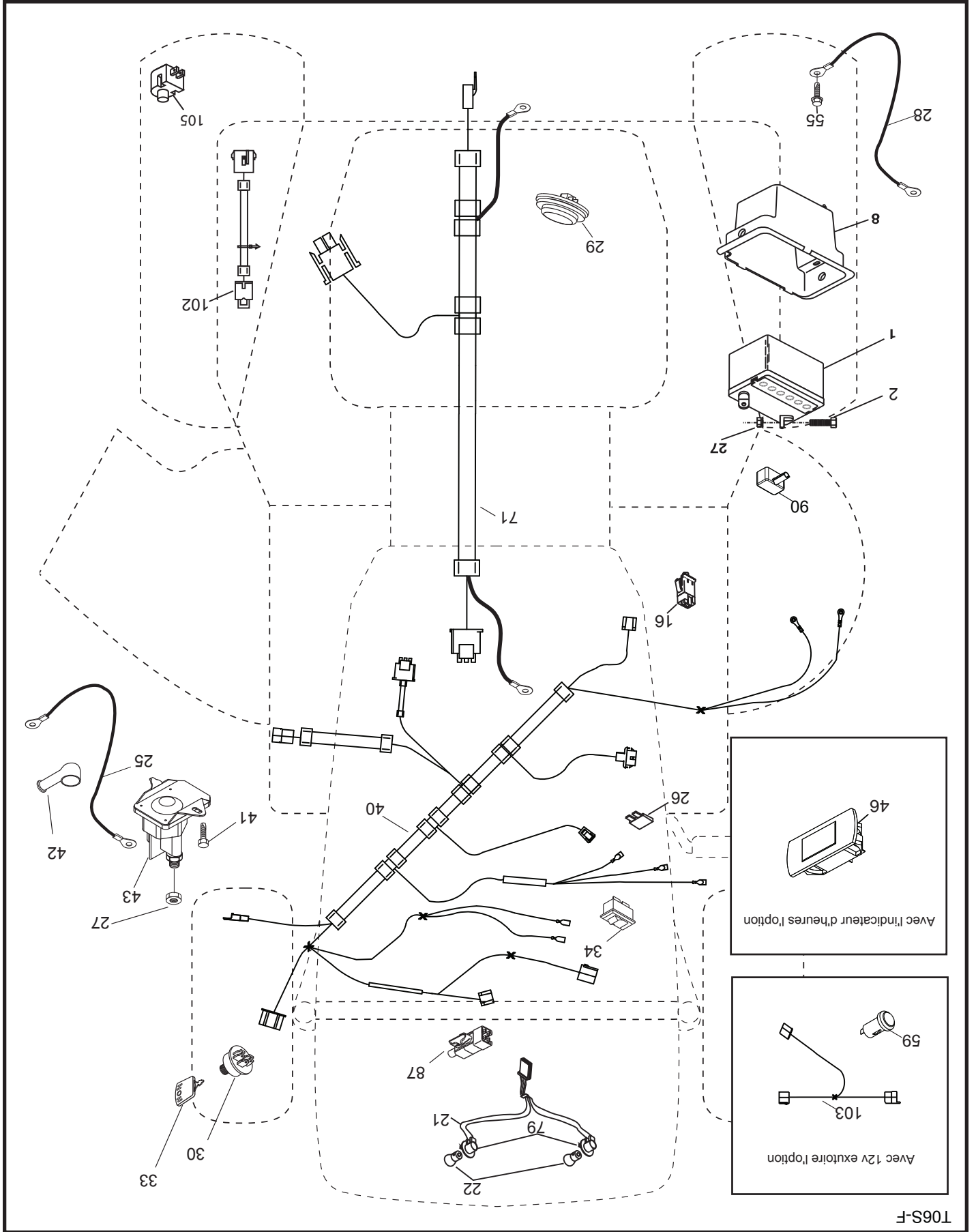
NO.	DE	REF.	DESCRIPTION
1		163465	Batterie
2		74760412	Boulon H 1/4-20 unc x 3/4
8		193228	Bac de batterie
16		176138	Interrupteur de verrouillage pressé
21		400252	Harnais des prises de courant des phares avec 14152J
22		4152J	Ampoule
25		412895	Câble de batterie de 6 ja avec un fil de 16 po. - rouge
26		175158	Fusible
27		73510400	Écrou H 1/4-20 unc
28		198885	Câble de masse de 6 ja. de 21" - noir
29		401545	Interrupteur
30		193350	Contacteur d'allumage
33		411934	Clé/Chaîne
34		110712X	L'Interrupteur des phares
40		401098	Harnais (si équipé avec solénoïde avant)
--		581023101	Harnais (si équipé avec solénoïde arrière)
41		17720408	Vis 1/4-20 x 1/2
42		131563	Couverture de borne
43		192507	Solénoïde
55		17060512	Vis 5/16-18 x 3/4
71		400449	Harnais (si équipé avec solénoïde avant)
--		581023001	Harnais (si équipé avec solénoïde arrière)
79		175242	Assemblage de douille d'ampoule condenscandante
87		197802	Interrupteur de verrouillage
90		435395	Couverture
102		404454	Harnais
105		407568	Interrupteur de marche arrière

REMARQUE: Toutes les dimensions de composant sont données en pouces E.-U. -- 1 pouce = 25,4 mm

TRACTEUR - - NUMÉRO DE MODÈLE 944.603620

ELECTRIQUE

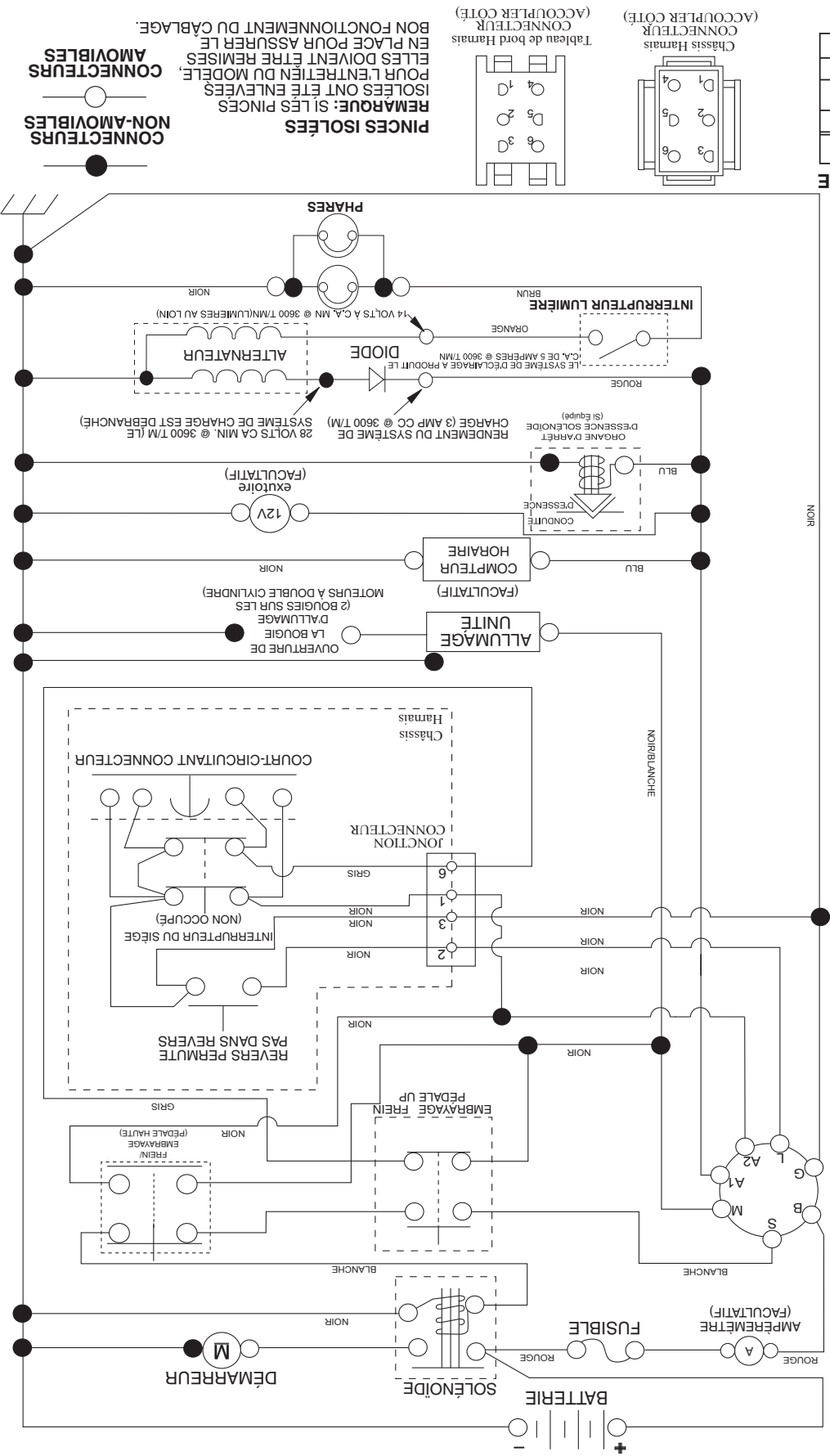
T06S-F



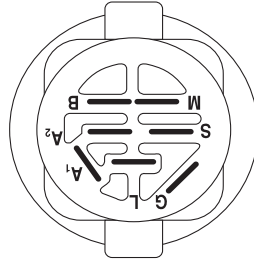
TRACTEUR - - NUMÉRO DE MODÈLE 944.603620

SCHEMA

SCH11-F



CONTACTEUR D'ALLUMAGE



REMARQUE
 VOTRE TRACTEUR EST ÉQUIPÉ D'UN SYSTÈME D'ALTERNATEUR SPÉCIAL AU LIEU D'ÊTRE BRANCHÉS SUR LA BATTERIE. LES PHARES DISPOSENT DE LEUR PROPRE SOURCE D'ÉNERGIE ÉLECTRIQUE. DONC LA BRILLANCE DES PHARES CHANGERA EN FONCTION DE LA VITESSE DU MOTEUR, AU RALENTI, LA BRILLANCE DES PHARES BAISSERA; QUAND LE MOTEUR EST ACCÉLÉRÉ, LA BRILLANCE ATTEINDRA SON MAXIMUM.

NOIR

BLANCHE

ROUGE

NOIR

NOIR

NOIR

NOIR

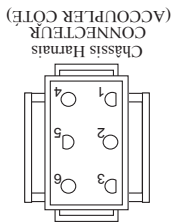
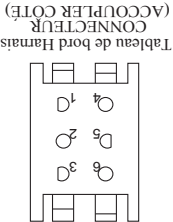
NOIR

NOIR

PINCES ISOLÉES
 REMARQUE: SI LES PINCES ISOLÉES ONT ÊTÉ ENLEVÉES POUR L'ENTRÉTIEN DU MODÈLE, ELLES DOIVENT ÊTRE REMISES EN PLACE POUR ASSURER LE BON FONCTIONNEMENT DU CÂBLAGE.

CONNECTEURS NON-AMOVIBLES

CONNECTEURS AMOVIBLES



COMMENT UTILISER CE MANUEL

Ce manuel a été dessiné pour fournir le client avec les moyens d'identification des pièces de détails du tracteur quand il/elle a besoin de commander les pièces de rechange. Les illustrations ne peuvent pas représenter exactement le modèle que vous avez acheté. N'utilisez pas ce manuel comme un guide dans le montage et/ou démontage de votre tracteur. La visserie montrée est plus grande pour faciliter l'identification.

Chaque tracteur a un numéro de modèle particulier.

Le numéro de modèle du produit se trouvera sur l'aile, dessous le siège.

Lorsque vous commandez des pièces de rechange, donnez toujours les renseignements suivants:

- Produit - "TRACTEUR"
- NUMÉRO DU MODÈLE - "944.603620"
- Numéro de la Pièce
- Description de la Pièce

TABLE DE MATIERES

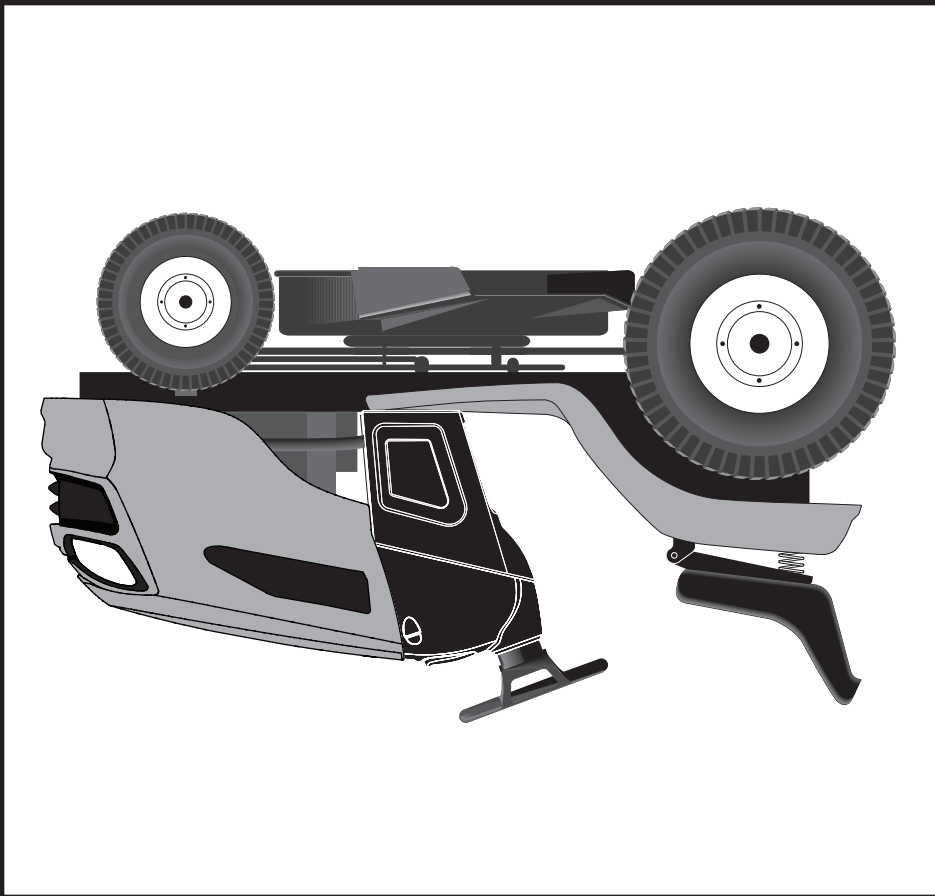
SCHEMA.....	3
ELECTRIQUE.....	4-5
CHASSIS/ENCEINTES.....	6-7
ENTRAÎNEMENT.....	8-9
MOTEUR.....	10-11
ENSEMBLE DE LA DIRECTION.....	12
ENSEMBLE DU SIÈGE.....	13
CARTER DE TONDEUSE.....	14-15
LEVAGE DE LA TONDEUSE.....	16
DECALCOMANIES.....	17
VOYEZ LES DÉTAILS DE TRANSMISSION.....	18-19
VOYEZ LES DÉTAILS DE MOTOR.....	20-25
ENTRETIEN DE "SEARS".....	26

Sears Canada, Inc., Toronto, Ontario M5B 2B8

*As estimé par le fabricant de moteur

Vous pouvez utiliser de l'essence contenant jusqu'à 10 % d'éthanol (E10) avec cet appareil.
L'utilisation d'essence contenant plus de 10 % d'éthanol annulera la garantie du produit.

22,0 C.V.*
DEMARRAGE ÉLECTRIQUE
TONDEUSE DE 107 CM (42 PO.)
AUTOMATIQUE
TRACTEUR DE PELOUSE



Importante: Lisez
et suivez le mode
d'emploi et toutes
les règles de sécu-
rité avant d'utiliser
cet équipement.

**NUMÉRO DE
MODÈLE
944.603620**

SEARS
**MANUEL DE
PIÈCES DE
RECHANGE**