

SEARS
REPAIR PARTS
MANUAL

**MODEL NO.
944.603630**

**Important:
Read and follow
all Safety Rules
and Instructions
Before Operating
This Equipment.**



CRAFTSMAN®

**20.0 HP*
ELECTRIC START
42" MOWER
AUTOMATIC TRANSMISSION
LAWN TRACTOR**

**Gasoline containing up to 10% ethanol (E10) is acceptable for use in this machine.
The use of any gasoline exceeding 10% ethanol (E10) will void the product warranty.**

*As rated by the engine manufacturer

Sears Canada, Inc., Toronto, Ontario M5B 2B8

HOW TO USE THIS MANUAL

This manual is designed to provide the customer with a means to identify the parts on his/her tractor when ordering repair parts. The illustrations may or may not represent the actual assemblies; therefore, it is not recommended to use this manual as a guide to assemble or disassemble the tractor. Some hardware and parts are drawn larger in order to more readily identify them.

Each tractor has its own model number.

The model number for your tractor can be found on the fender under the seat.

When ordering parts, always give the following information:

- Product - "Tractor"
- MODEL NUMBER - "944.603630"
- Part Number
- Part Description

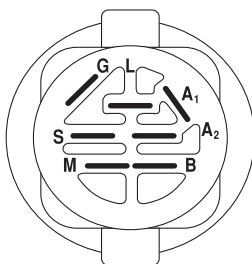
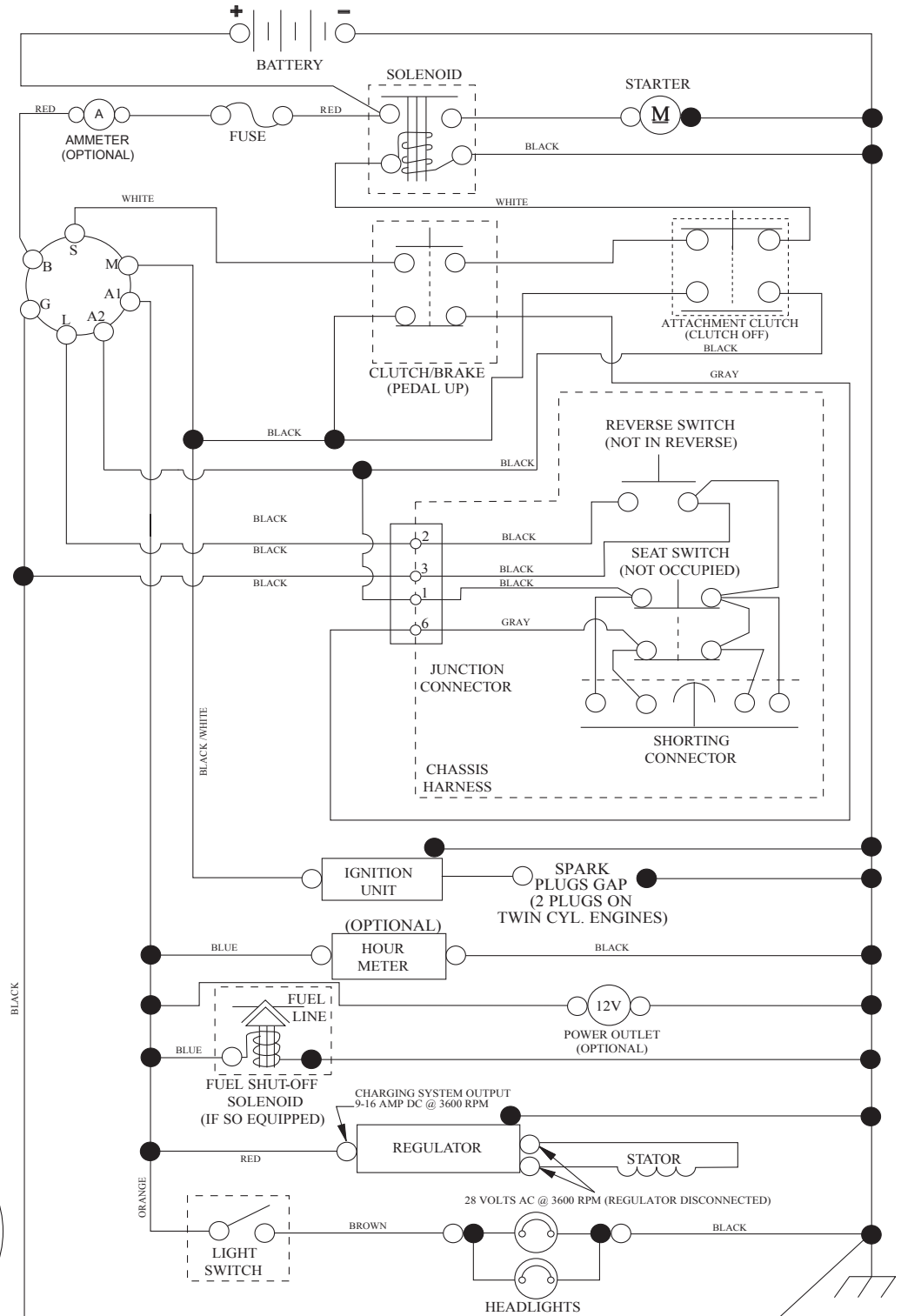
TABLE OF CONTENTS

SCHEMATIC	3
ELECTRICAL.....	4-5
CHASSIS	6-7
DRIVE.....	8-9
ENGINE.....	10-11
STEERING	12-13
MOWER DECK	14-15
MOWER LIFT.....	16
SEAT	17
DECALS.....	18
ENGINE BREAKDOWN.....	19-23
SEARS SERVICE	26

TRACTOR - - MODEL NUMBER 944.603630

SCHEMATIC

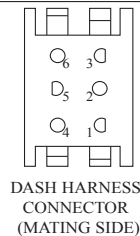
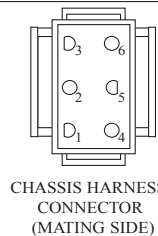
SCH10



IGNITION SWITCH

POSITION	CIRCUIT	"MAKE"
OFF	M+G+A1	
RUN/OVERRIDE	B+A1	
RUN	B+A1	L+A2
START	B + S + A1	

03107



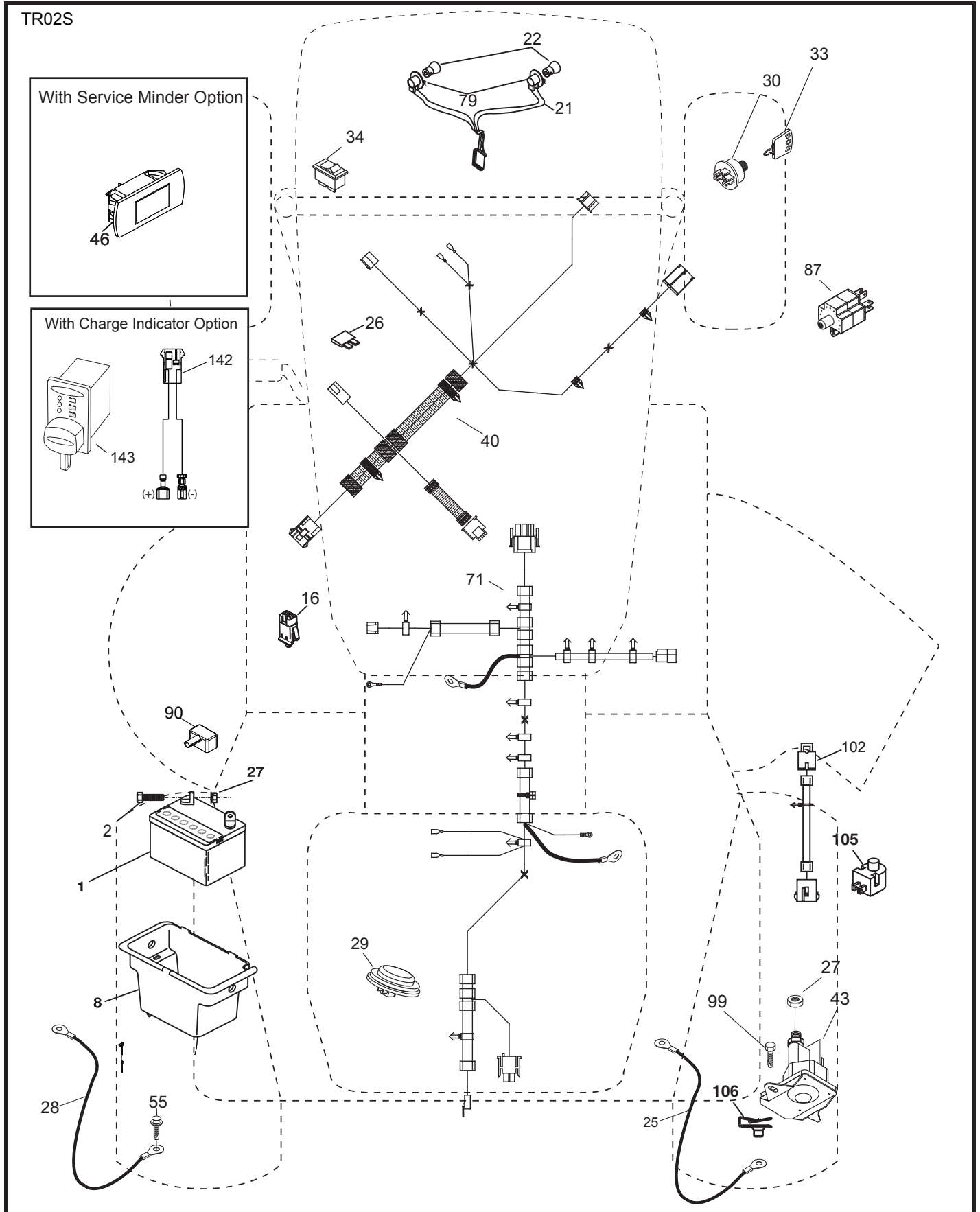
WIRING INSULATED CLIPS
NOTE: IF WIRING INSULATED CLIPS WERE REMOVED FOR SERVICING OF UNIT, THEY SHOULD BE RE-INSTALLED TO PROPERLY SECURE YOUR WIRING.

●
NON-REMOVABLE CONNECTIONS

○
REMOVABLE CONNECTIONS

TRACTOR - - MODEL NUMBER 944.603630

ELECTRICAL



TRACTOR - - MODEL NUMBER 944.603630

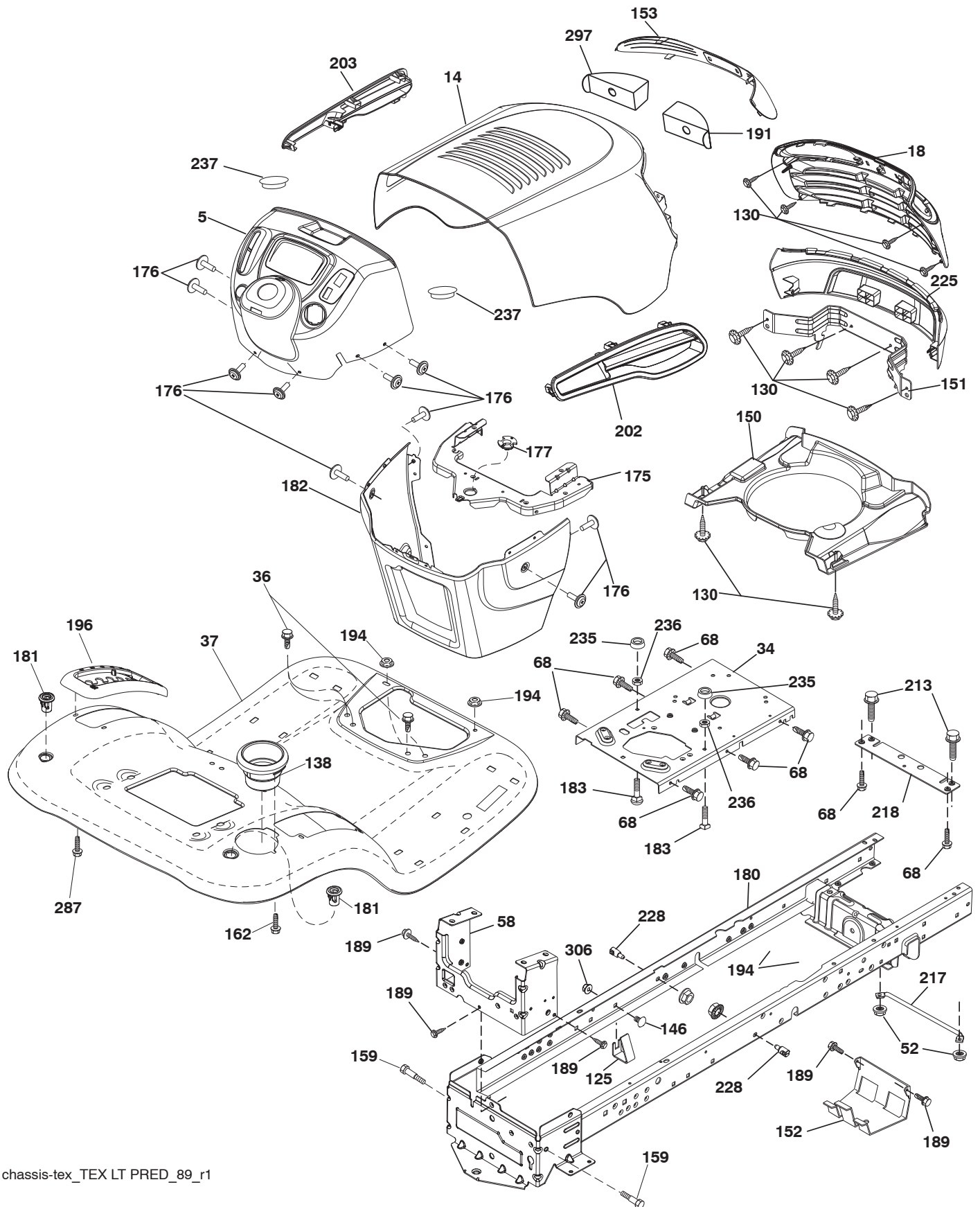
ELECTRICAL

KEY NO.	PART NO.	DESCRIPTION
1	163465	Battery
2	74760412	Bolt Hex Hd 1/4-20 unc x 3/4
8	193228	Box Battery
16	176138	Switch Interlock Push-In
21	400252	Harness Socket Light w/4152J
22	4152J	Bulb Light
25	581498001	Cable Starter 6 Ga. 14.5"
26	175158	Fuse
27	73510400	Nut Keps Hex 1/4-20 unc
28	421686	Cable, Ground
29	192749	Switch, Seat
30	193350	Switch, Ign
33	411934	Key/Chain
34	110712X	Switch Light / Reset
40	401098	Harness Ign. Dash (if equipped with front solenoid)
--	581023101	Harness Ign. Dash (if equipped with rear solenoid)
43	192507	Solenoid
55	17060512	Screw Thdrol 5/16-18 x 3/4 TYTT
71	400449	Harness Ign. Chassis (if equipped with front solenoid)
--	581023001	Harness Ign. Chassis (if equipped with rear solenoid)
79	175242	Bulbholder Asm. Incandescent
87	197802	Switch Interlock Clutch Cable
90	435395	Cover Terminal Battery
99	17670412	Screw
102	581901601	Harness Pigtail
105	407568	Switch Reverse
106	174814	Pal Nut

NOTE: All component dimensions given in U.S. inches
1 inch = 25.4 mm

TRACTOR - - MODEL NUMBER 944.603630

CHASSIS



chassis-tex_TEX LT PRED_89_r1

TRACTOR - - MODEL NUMBER 944.603630

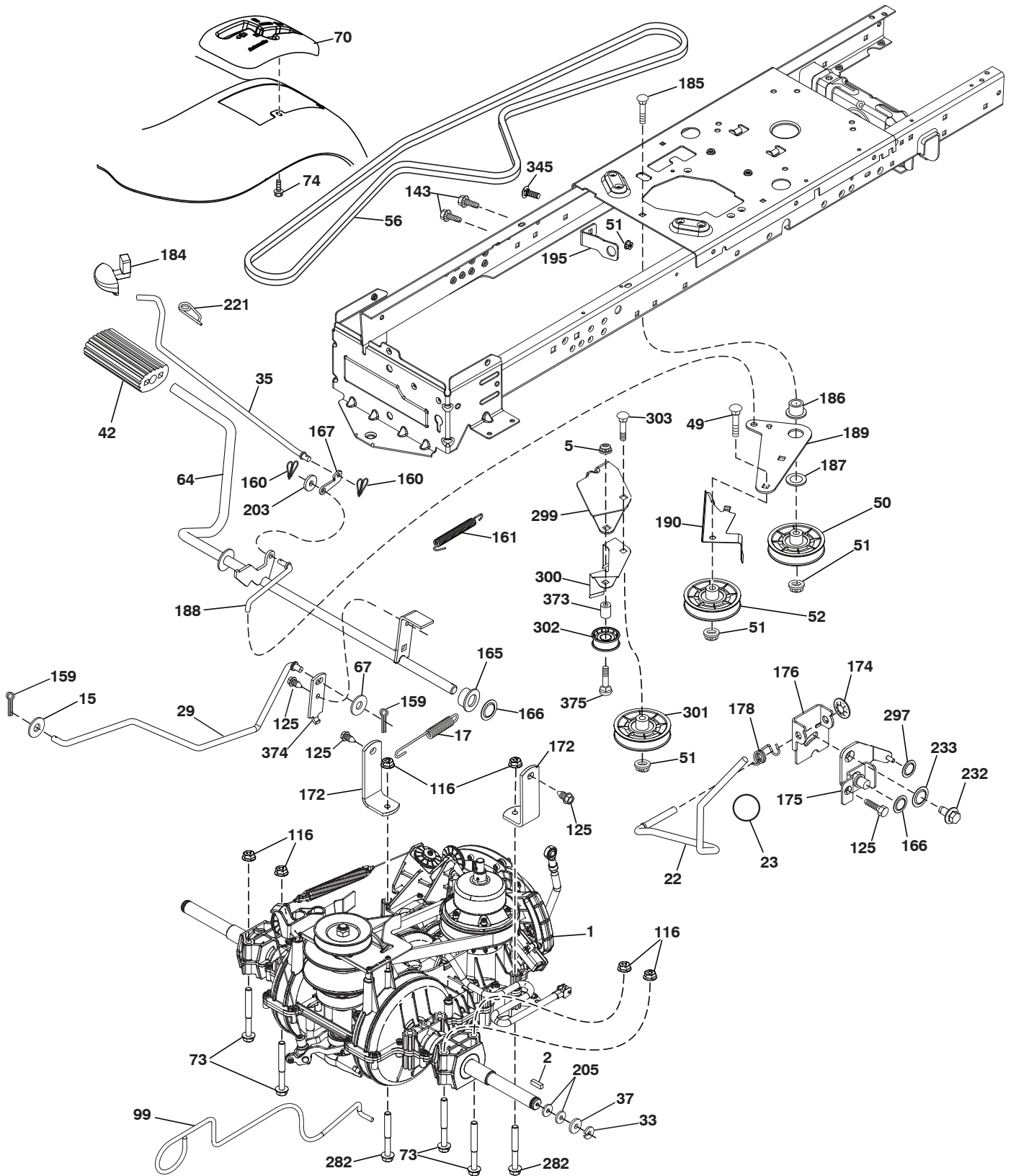
CHASSIS

KEY NO.	PART NO.	DESCRIPTION
5	400801X428	Dash
14	198416X615	Hood
18	580427601	Grille
34	580910801	Plate Engine
36	17060512	Screw 5/16-18 x 3/4
37	414872X615	Fender
52	73680500	Nut Lock 5/16-18
58	412280	Drawbar Upper
68	17490508	Screw Thdrol 5/16-18 x 1/2
125	581684801	Clip Fuel Line
130	416358	Screw #10 x 0.750
138	193224X428	Cupholder
146	581857901	Bolt
150	400267	Duct Heat Hood
151	187568	Bracket Pivot
152	199535	Shield Browning
153	400550X599	Lens Predator
159	17000612	Screw Hexwsh Thdrol 3/8-16 x 3/4
162	142432	Screw Hex Wsh Hi-Lo 1/4 x 1/2
175	199472	Crossmember
176	400776	Screw 10-24 x 5/8 Wshd Qdrx
177	195228	Bushing Steering
180	415063	Chassis
181	193102X428	Bushing
182	407176	Dash Lower
183	74520520	Bolt 5/16-18 x 1-1/4
189	17000512	Screw 5/16-18 x 3/4
191	416502	Insert RH
194	73900500	Nut Lock Hex Flange 5/16-18
196	414579	Console Asm. Deck Lift
202	580427401	Vent Hood RH
203	580427501	Vent Hood LH
213	74760512	Bolt 5/16-18 x 3/4
217	409167	Rod Pivot Hood
218	196395	X-Piece Hood Step
225	400549X615	Bumper Hood
228	195161	Stud Fastener
235	406129	Spacer Fender
236	73930500	Nut Center Lock 5/16-18
237	403704	Plug Mount
287	17600406	Screw 1/4-20 x 3/8
297	401827	Insert LH
306	73900600	Nut

NOTE: All component dimensions given in U.S. inches
1 inch = 25.4 mm

TRACTOR - - MODEL NUMBER 944.603630

DRIVE



drive-tex_VATR_19

TRACTOR - - MODEL NUMBER 944.603630

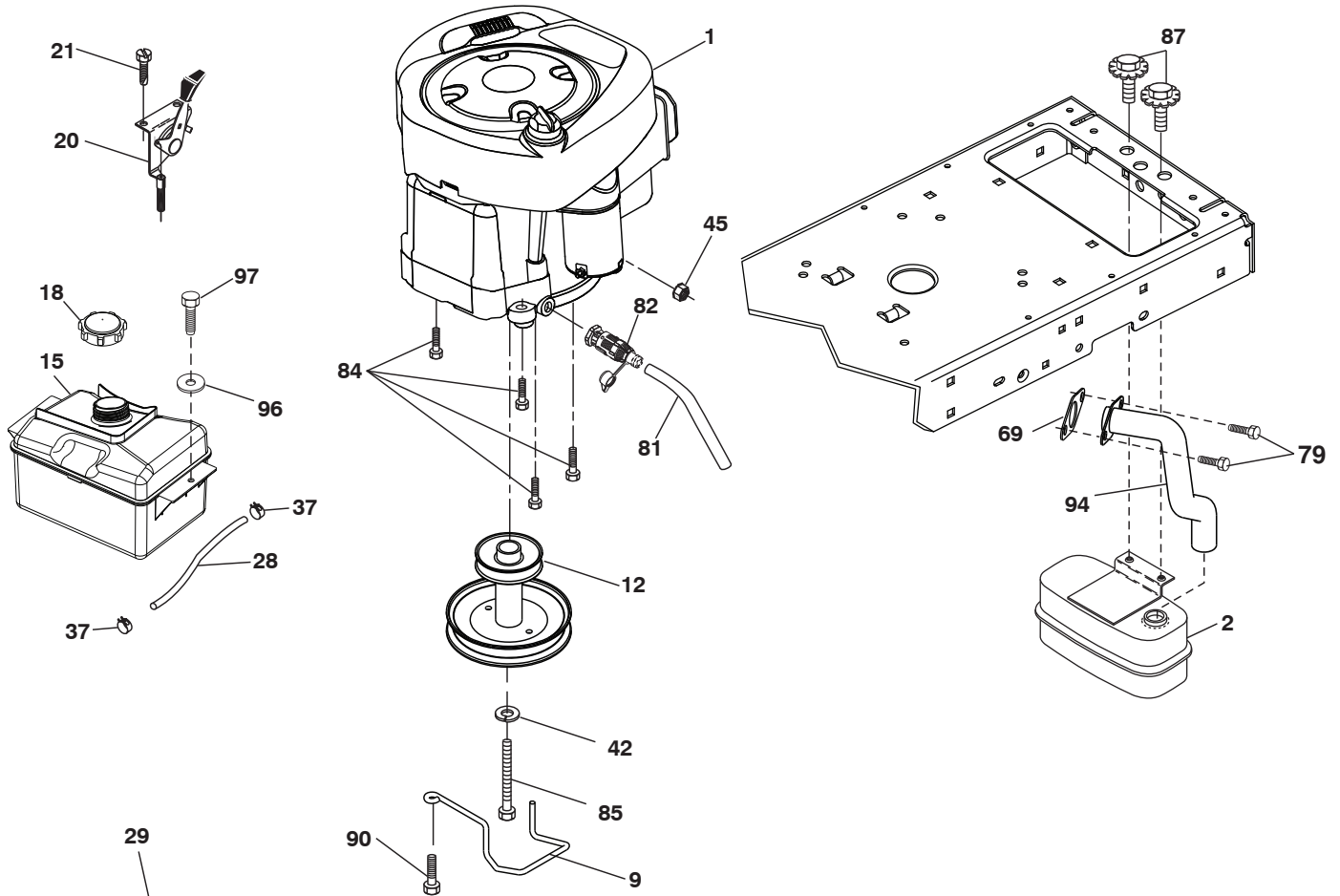
DRIVE

KEY NO.	PART NO.	DESCRIPTION	KEY NO.	PART NO.	DESCRIPTION
1	---	Transmission, Gentrans (580486301) (See transaxle breakdown.)	172	583974201	Strap Torque Variator
2	123583	Key Square 2.0 x .1845/.1865	174	197289	Nut Push .500
5	73680600	Nut Crownlock	175	415677	Shaft Asm Shift
15	19131316	Washer 13/32 x 13/16 x 16 Ga	176	196214	Arm. Clevis Rod Shift
17	413678	Spring Brake	178	197456	Spring Shift Gt 2006
22	421063	Rod Shift	184	199996X667	Handle Parking Brake Lttx .505
23	106933X	Knob	185	72110622	Bolt Rdhd 3/8-16 unc x 2-3/4 Gr.5
29	581479301	Rod Brake	186	194321	Spacer Retainer
33	12000001	E-Ring #5133-75	187	19133210	Washer 13/32 x 2 x 10 Ga.
35	401031	Rod Brake Parking Lt.Tex	188	194323	Link Clutch Ground Drive
37	188967	Washer Hardened	189	194317	Bellcrank Groundrive Nstg/Nstl
42	8883R	Cover Pedal Blk Round	190	194318	Keeper Bellcrank Drive Ground
49	72110614	Bolt Rdhd 3/8-16 unc x 1-3/4 Gr 5	195	581504601	Bracket Brake
50	194327	Idler Flat	203	19111116	Washer 11/32 x 11/16 x 16 Ga.
51	73900600	Nut Hex Flangelock 3/8-16	205	121748X	Washer 25/32 x 1-5/8 x 16 Ga.
52	194326	Idler V-Groove	221	403187	Retainer Spring Clip Handle
56	197253	Belt Drive	232	74780716	Bolt Fin Hex 7/16-14 x 1 Gr.5
64	580401501	Subasm. Shaft Pedal Brake	233	405296	Washer Serrated
67	19131312	Washer 13/32 x 13/16 x 12 Ga	282	74490548	Bolt Hex Flg. 5/16-18 x 13 x 0 G5
70	415688X428	Console	297	420223	Nut Push 1/4
73	74490544	Bolt Hex Flghd 5/16-18 Gr.5	299	415683	Bracket Mount Idler
74	142432	Screw Hex Wsh Hi-Lo 1/4 x 1/2 unc	300	415681	Keeper Idler Rear
99	435935	Rod Bypass	301	415680	Pulley Idler V-Groove
116	73900500	Nut Lock Hex Flange 5/16-18 unc	302	581420501	Idler Flat
125	17000512	Screw 5/16-18 x 3/4 Smgml Tap/Bl	303	72110618	Bolt Rdhd Sgnk 3/8-16 x 2-1/4
143	17490508	Screw Thdrol 5/16-18 x 1/2 Tytt	345	72110606	Bolt 3/8-16 x 3/4
159	76020412	Pin Cotter 1/8 x 3/4	373	581461801	Spacer Idler
160	169484	Retainer Clip(M) Dia.290	374	581475201	Arm Control Brake
161	105709X	Spring Return Clutch 6.75	375	74760636	Bolt Hex
165	196212	Bushing Shaft Brake Hand Contr			
166	429164	Nut Push .625			
167	405257	Latch Brake Parking			

NOTE: All component dimensions given in U.S. inches
1 inch = 25.4 mm

TRACTOR - - MODEL NUMBER 944.603630

ENGINE



OPTIONAL EQUIPMENT
SPARK ARRESTER

engine-tex_BS_77

TRACTOR - - MODEL NUMBER 944.603630

ENGINE

KEY PART NO.	PART NO.	DESCRIPTION
1	— — — —	Engine B&S Model No. 331777-1523-G5 (442174) (See engine breakdown.)
2	580532301	Muffler
9	584911601	Keeper Belt Engine
12	401985	Pulley Engine
15	581289901	Tank Fuel
18	430220	Cap Asm Fuel
20	170545	Control Throttle/Choke
21	416358	Screw 10 x .750 BOS Thread
28	137040	Fuel Line
29	137180	Spark Arrester Kit
37	123487X	Clamp Hose
42	10040700	Washer Lock 7/16
45	73510400	Nut Keps Hex 1/4-20 unc
69	165291	Gasket
79	192334	Screw 5/16-18 x .75
81	148456	Extension Drain Oil
82	428287	Valve Oil Drain
84	17060620	Screw 3/8-16 x 1-1/4
85	173937	Bolt Hex 7/16-20 x 4 x Gr. 5-1.5
87	171877	Bolt 5/16-18 x 3/4 w/Sems
90	17000616	Screw 3/8-16 x 1.0
94	581880901	Exhaust Tube
96	19091416	Washer 9/32 x 7/8 x 16 Ga.
97	17670412	Screw 1/4-20 x 3/4

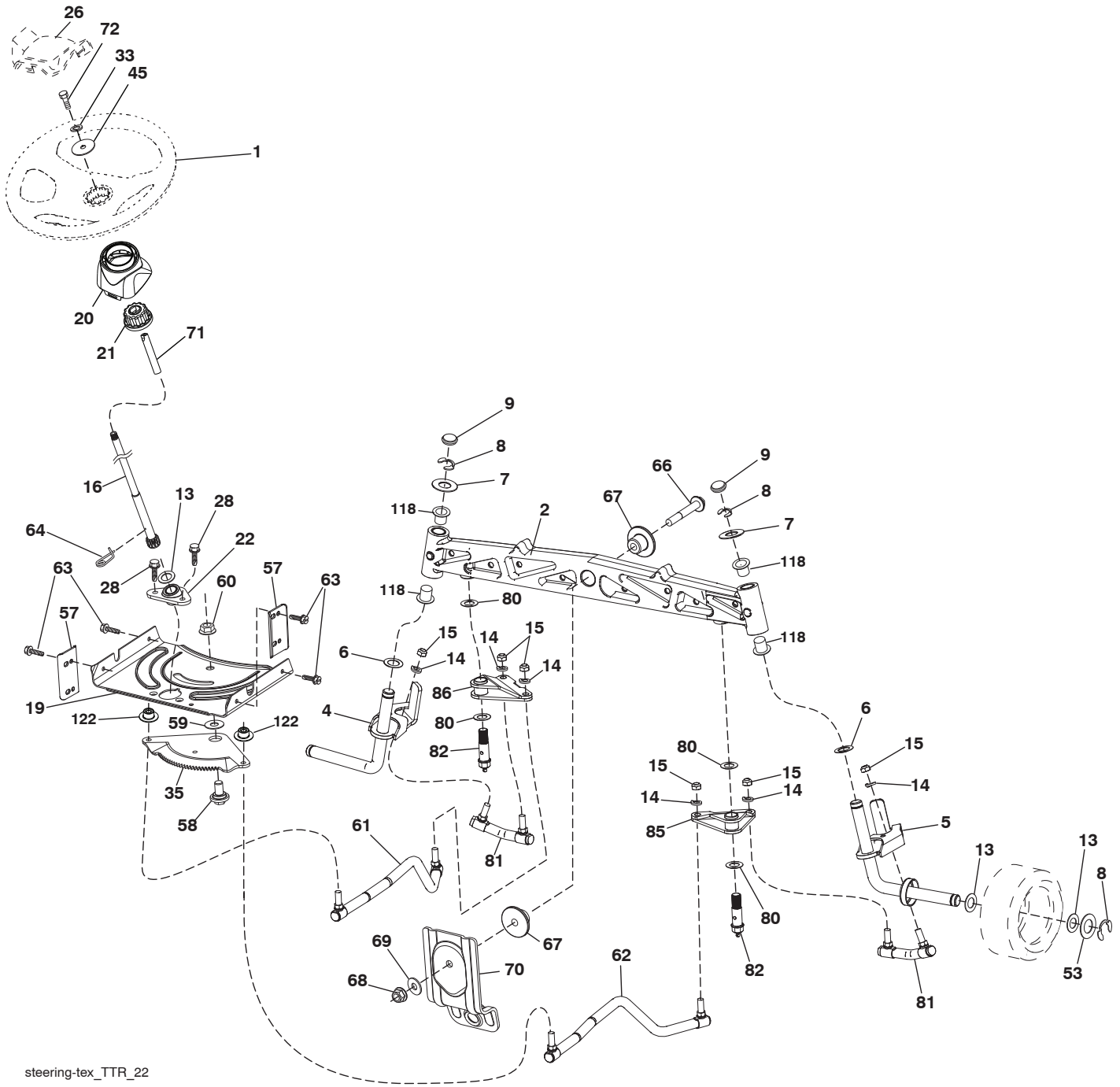
NOTE: All component dimensions given in U.S. inches
1 inch = 25.4 mm

Engine Power Rating Information

The gross power rating for individual gas engine models is labeled in accordance with SAE (Society of Automotive Engineers) code J1940 (Small Engine Power & Torque Rating Procedure), and rating performance has been obtained and corrected in accordance with SAE J1995 (Revision 2002-05). Torque values are derived at 3060 RPM; horsepower values are derived at 3600 RPM. Actual gross engine power will be lower and is affected by, among other things, ambient operating conditions and engine-to-engine variability. Given both the wide array of products on which engines are placed and the variety of environmental issues applicable to operating the equipment, the gas engine will not develop the rated gross power when used in a given piece of power equipment (actual "on-site" or net power). This difference is due to a variety of factors including, but not limited to, accessories (air cleaner, exhaust, charging, cooling, carburetor, fuel pump, etc.), application limitations, ambient operating conditions (temperature, humidity, altitude), and engine-to-engine variability. Due to manufacturing and capacity limitations, Briggs & Stratton may substitute an engine of higher rated power for this Series engine.

TRACTOR - - MODEL NUMBER 944.603630

STEERING ASSEMBLY



steering-tex_TTR_22

TRACTOR - - MODEL NUMBER 944.603630

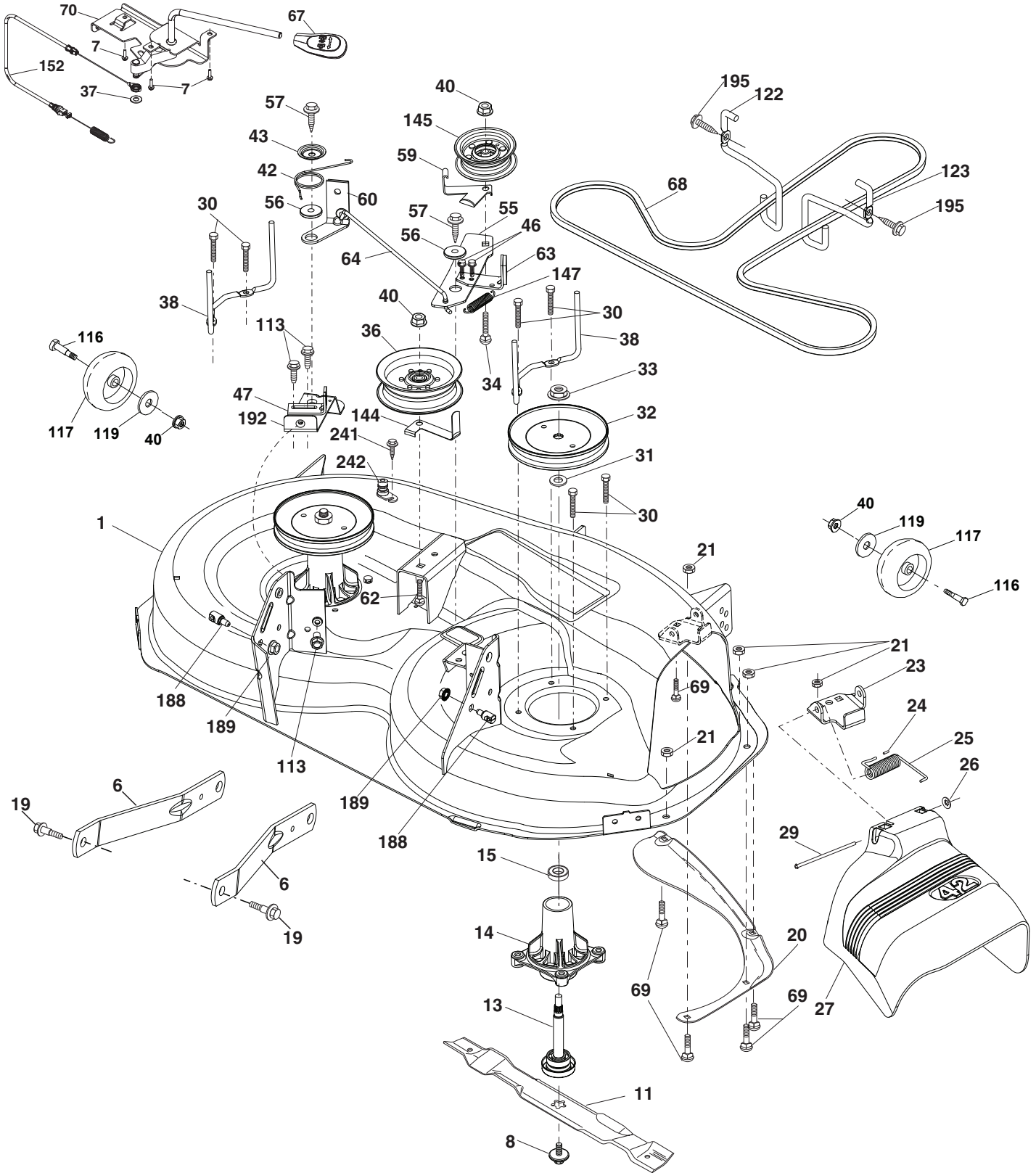
STEERING ASSEMBLY

KEY NO.	PART NO.	DESCRIPTION
1	414803X428	Wheel, Steering
2	436870	Axle Asm., Front
4	436873	Spindle Asm., LH
5	436874	Spindle Asm., RH
6	6266H	Washer Thrust 0.75 x 1.23
7	121748X	Washer 25/32 x 1-5/8 x 16 Ga.
8	12000029	Ring, Clip #T5304-75
9	184946X667	Cap, Spindle
13	121749X	Washer 25/32 x 1-1/4 x 16 Ga.
14	10040600	Washer Lock 3/8
15	73540600	Nut, Crown Lock 3/8-24 unf
16	444213	Shaft Steering
19	194729	Plate Steering
20	400803X428	Boot, Steering
21	437747	Adapter, Wheel Steering
22	194845	Bushing Strg. Blk
26	414852X428	Insert, Wheel Steering
28	17000612	Screw 3/8-16 x 3/4
33	10040500	Washer Lock 5/16
35	440770	Gear, Sector Plate
45	19113812	Washer
51	73940800	Nut Hex Jam Toplock 1/2-20 unf
53	188967	Washer Hardened .793 x 1.637 x .060
57	407465	Bracket Upstop
58	194747	Bolt Shoulder Sector Pivot CFM
59	194748	Washer Thrust Sector Steering
60	73971000	Nut Flange Lock 5/8-11
61	436884	Draglink, LH
62	436885	Draglink, RH
63	17000512	Screw 5/16-18 x 3/4
64	199849	Retainer Clip Spring Steering
66	71020748	Bolt Hex Fghd 7/16-14 x 3 Serr
67	194737	Bushing PM Front Axle
68	73900700	Nut Lock Flange 7/16-14 Gr. 5
69	199162	Washer 1.5 x .505 x .118
70	196197	Bracket Deck Susp. Front
71	190752	Shaft Extension Steering
72	428982	Bolt 5/16-18 x 4
80	1370H	Washer
81	436887	Link Cross RH
82	436877	Pivot Bolt
85	441873	Pivot RH
86	441872	Pivot LH
118	406013	Bushing Axle Cast
122	444962	Cap Gear Sector

NOTE: All component dimensions given in U.S. inches
1 inch = 25.4 mm

TRACTOR - - MODEL NUMBER 944.603630

MOWER DECK



42_D_man-tex_LT_30_r1

TRACTOR - - MODEL NUMBER 944.603630

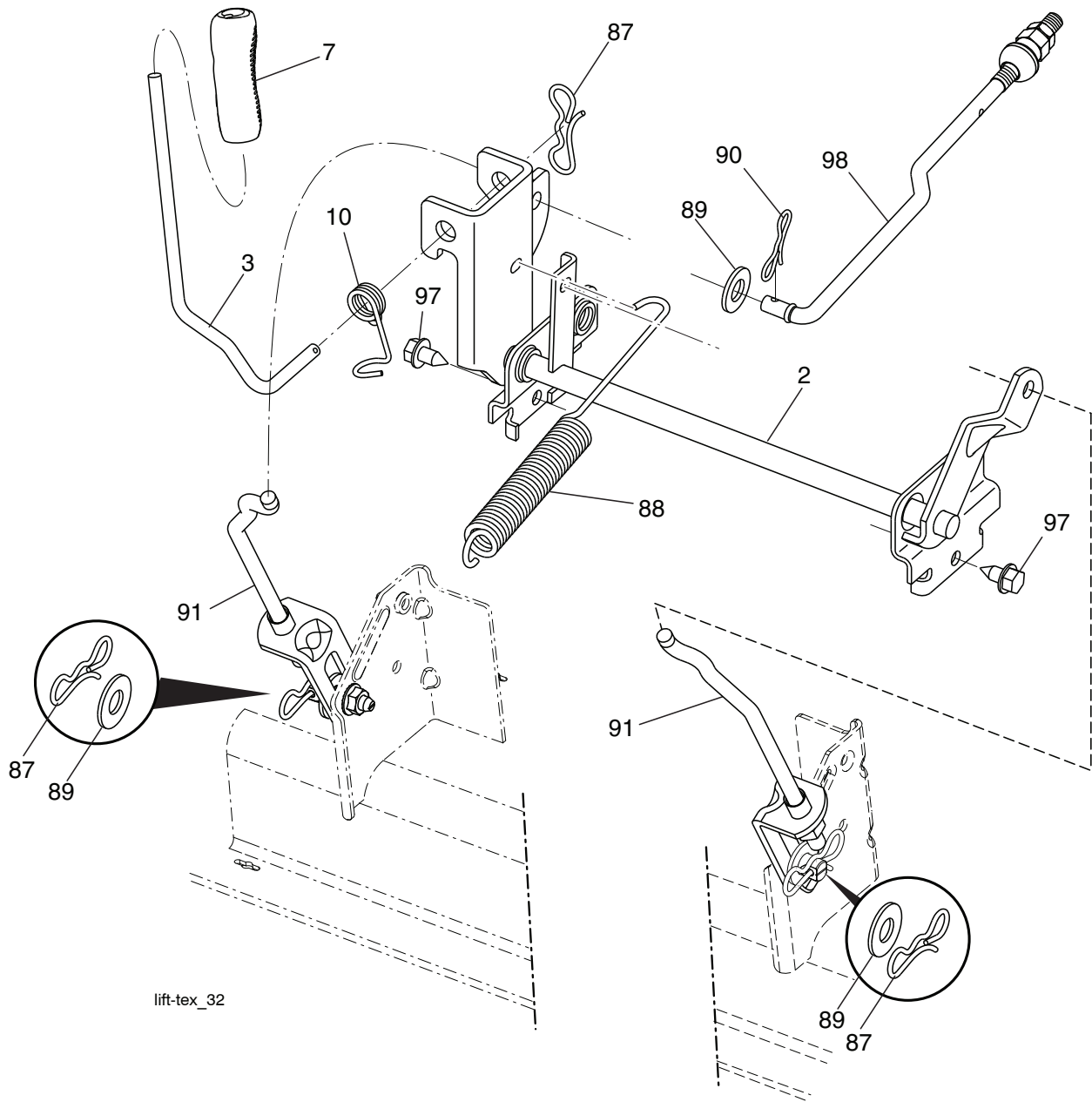
MOWER DECK

KEY NO.	PART NO.	DESCRIPTION	KEY NO.	PART NO.	DESCRIPTION
1	196495	Deck Weldment Mower	59	141043	Guard, Tuv Idler
6	195186	Arm Suspension	60	197261	Arm Brake Mower
7	416358	Screw #10 x .750 BOS Thread	62	72110616	Bolt Rd Hd Sq Nk 3/8-16 unc x 2
8	193003	Bolt/Washer asm 7/16-20 unf	63	199477	Arm Brake Mower
11	424752	Blade, 42" 3NI	64	199790	Link Brake Asm
--	422719	Blade, 42"SP 3NI	67	198398X428	Handle Clutch Cable
--	134149	Blade, Mulching	68	429636	V-Belt
--	139775	Blade, 42" Mulching Premium	69	72140505	Bolt 5/16-18 x 5/8
--	138971	Blade, 42" Hi-Lift (For bagging or discharge)	70	401246	Clutch Asm Manual
13	192872	Shaft Assembly, Mandrel	113	17000510	Bolt 5/16-18 Hex
14	187281	Housing, Mandrel	116	4898H	Bolt Shoulder
15	110485X	Bearing, Ball, Mandrel	117	188606	Wheel Gage
19	196539	Bolt, Shoulder	119	19121414	Washer
20	159770	Baffle, Vortex	122	197258	Keeper Belt Engine LH
21	73680500	Nut, Crownlock 5/16-18 unc	123	197259	Keeper Belt Engine RH
23	192557	Bracket, Deflector	144	199204	Keeper Belt
24	105304X	Cap, Sleeve	145	193197	Pulley Idler, Flat
25	197026	Spring, Torsion, Deflector	147	401971	Spring Return
26	110452X	Nut, Push	152	435111	Manual Clutch Cable
27	424469	Shield, Deflector	188	195161	Stud Fastener
29	131491	Rod, Hinge	189	73900500	Nut Lock Hex Flange
30	173984	Screw Thdrol Rolling Wsh Hd	192	197260	Bracket Brake Stand LH
31	187690	Washer, Spacer	195	17000612	Screw Hex Wsh Thdr 3/8-16 x 3/4
32	197473	Pulley, Mandrel	241	152927	Screw TT #10-32.5. 3/8 Flange
33	400234	Nut, Toplock, Flanged	242	415598	Port Washout
34	72110612	Bolt Carr Sh. 3/8-16 x 1-1/2 Gr. 5	--	416405	Coupling Quick Connect
36	197379	Pulley, Idler	--	192870	Mandrel Assembly (Includes housing (key #14), shaft assembly (key #13), and bearing (key #15) and nut (key #33) only - pulley/washer and blade bolt/washers not included)
37	19131316	Washer	--	425415	Replacement Mower, Complete
38	432520	Keeper Belt Mandrel			
40	73900600	Nut, Lock Flg. 3/8-16 unc			
42	198410	Spring Torsion Brake			
43	197256	Spring Torsion Retainer			
46	137729	Screw Thd Roll 1/4-20 x 5/8			
47	197250	Bracket Clutch Cable			
55	437110	Arm, Idler			
56	199092	Spacer, Retainer			
57	17000616	Screw 3/8-16 x 1			

NOTE: All component dimensions given in U.S. inches
1 inch = 25.4 mm

TRACTOR - - MODEL NUMBER 944.603630

MOWER LIFT



lift-tex_32

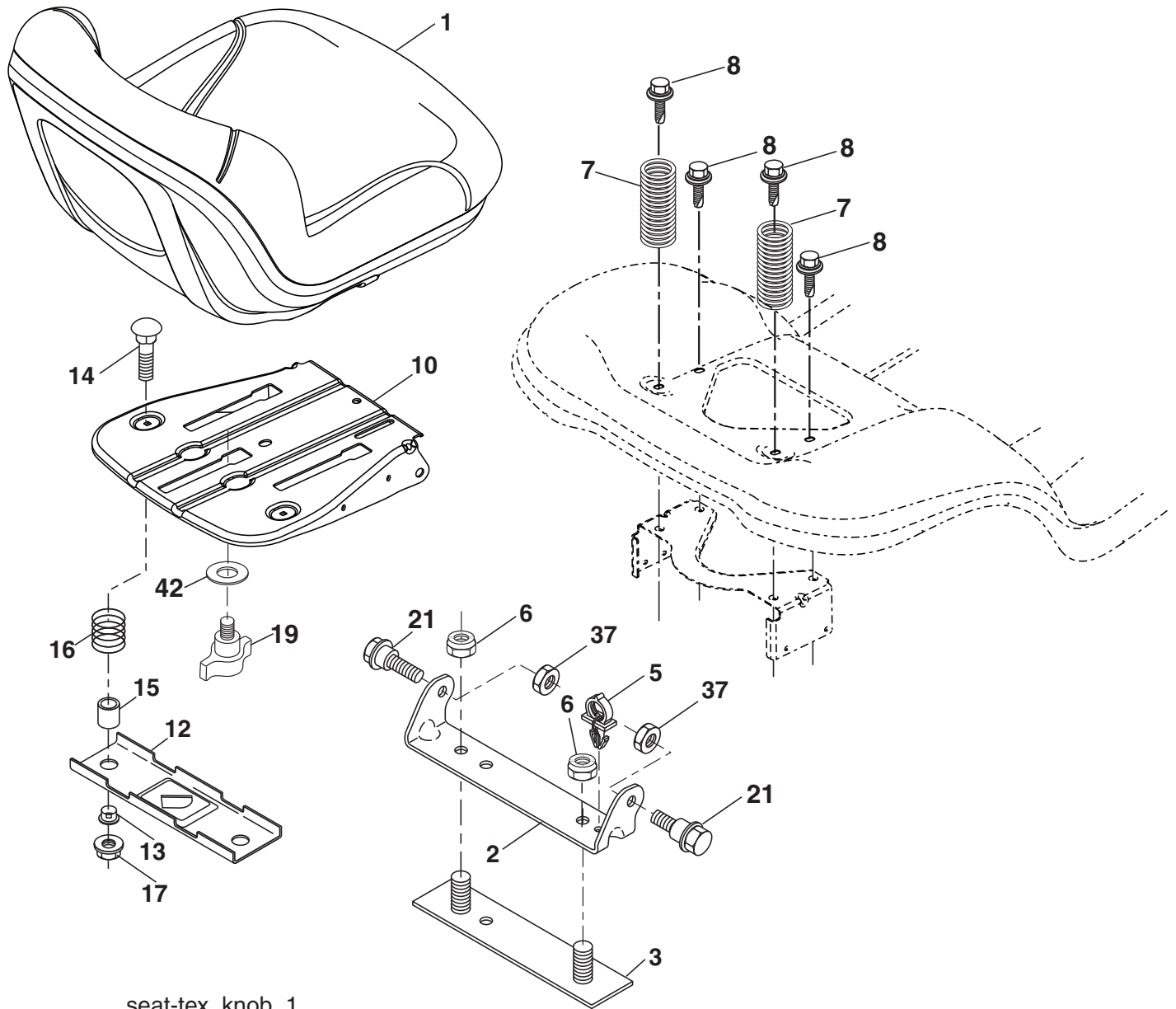
KEY NO.	PART NO.	DESCRIPTION
2	422027	Shaft Asm., Lift
3	195231	Lever Asm., Lift RH
7	445060X428	Grip, Lever
10	196314	Spring Torsion
87	194209	Pin Cotter 7/16 Bow Tie Lock
88	410710	Spring Lift Assist
89	19191912	Washer Clear Zinc

KEY NO.	PART NO.	DESCRIPTION
90	194208	Pin Cotter 5/16 Bow Tie Lock
91	197984	Link Lift Asm Rear
97	17000612	Screw 3/8-16 x .75
98	420525	Link Lift Susp. Front Mower

NOTE: All component dimensions given in U.S. inches
1 inch = 25.4 mm

TRACTOR - - MODEL NUMBER 944.603630

SEAT ASSEMBLY



seat-tex_knob_1

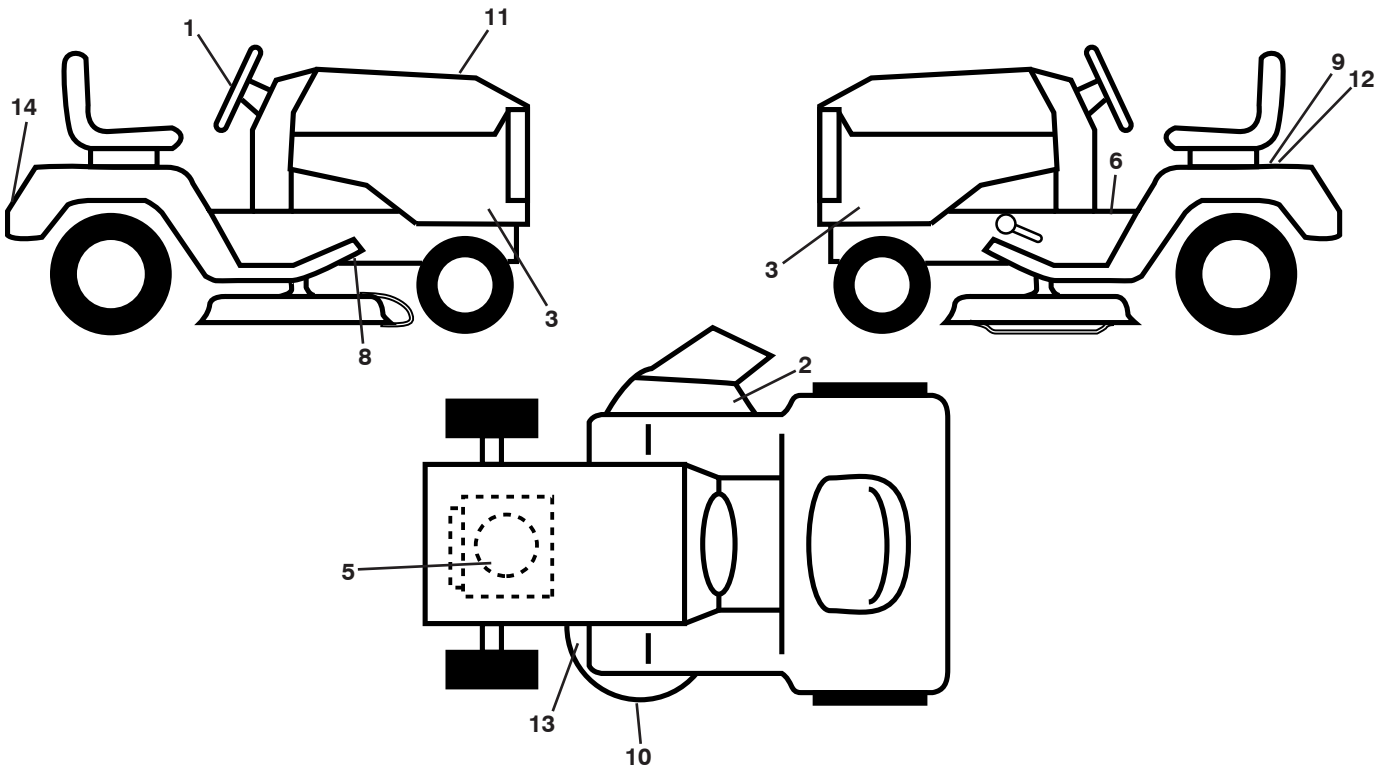
KEY NO.	PART NO.	DESCRIPTION
1	423644	Seat
2	180166	Bracket Pivot Fender
3	140675	Strap, Asm Fender
5	145006	Clip
6	73800600	Nut, Lock W/Ins. 3/8-16 unc
7	124181X	Spring, Seat Cprsn
8	171877	Bolt 5/16-18 unc x 3/4 w/Sems
10	441805	Pan, Seat
12	199370	Bracket Mnt
13	121248X	Bushing
14	72050412	Bolt 1/4-20 x 1-1/2

KEY NO.	PART NO.	DESCRIPTION
15	134300	Spacer
16	123740X	Spring
17	123976X	Nut 1/4
19	199372	Knob Seat
21	171852	Bolt, Shoulder 5/16-18
37	73800500	Nut, Lock 5/16-18 unc
42	199371	Washer Cup Seat

NOTE: All component dimensions given in U.S. inches
1 inch = 25.4 mm

TRACTOR - - MODEL NUMBER 944.603630

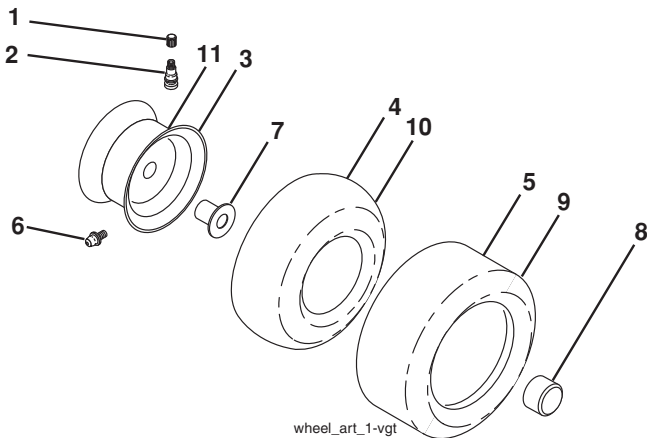
DECALS



KEY NO.	PART NO.	DESCRIPTION
1	439525	Decal, Steering
2	581579501	Decal, Mower Warn.
3	442596	Decal, PNL SD RH/LH
4	581579901	Decal, Warning Spark
5	426027	Decal, Engine HP
6	581579001	Decal, Fender Operator's
8	421534	Decal, V-Belt Schematic Drive
9	149517	Decal, Battery Dnge/Poi
10	426593	Decal, Tractor Precision Cut
11	448256	Decal, Replacement

KEY NO.	PART NO.	DESCRIPTION
12	448709	Decal, Batt. Diehard
13	581580001	Decal, Mower V-Belt SCH.
14	441121	Decal, Fender
--	581724801	Decal, Bypass
--	193226X428	Pad, Footrest LH
--	193227X428	Pad, Foot Pedal
--	584471632	Manual, Operator's (English/French)
--	583971273	Manual, Parts (English/French)

WHEELS AND TIRES



KEY NO.	PART NO.	DESCRIPTION
1	59192	Cap, Valve, Tire
2	65139	Stem, Valve
3	106732X613	Rim Assembly, Front
4	59904	Tube, Front
5	106222X	Tire, Front 15 x 6.0-6
6	278H	Fitting, Grease
7	9040H	Bearing, Flange
8	104757X613	Cap, Axle (Front Wheel Only)
9	138468	Tire, Rear 20 x 8-8
10	7152J	Tube, Rear
11	106108X613	Rim Assembly, Rear
--	144334	Sealant, Tire (10 oz. Tube)

NOTE: All component dimensions given in U.S. inches
1 inch = 25.4 mm

TRACTOR - - MODEL NUMBER 944.603630

BRIGGS ENGINE - MODEL NUMBER 331777, TYPE NUMBER 1523-G5

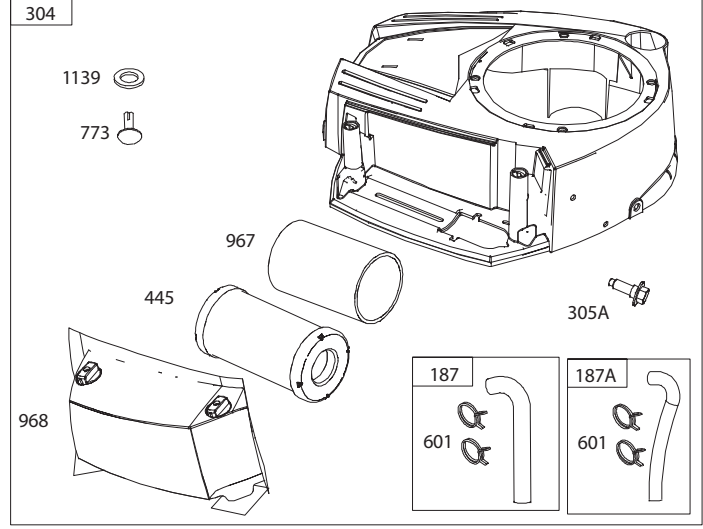
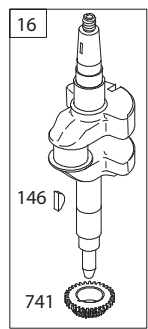
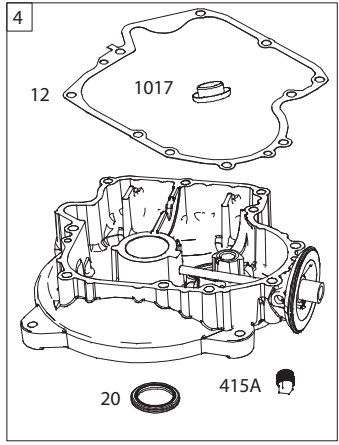
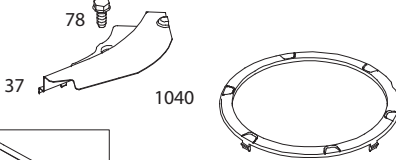
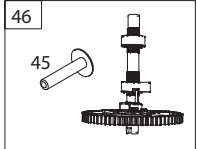
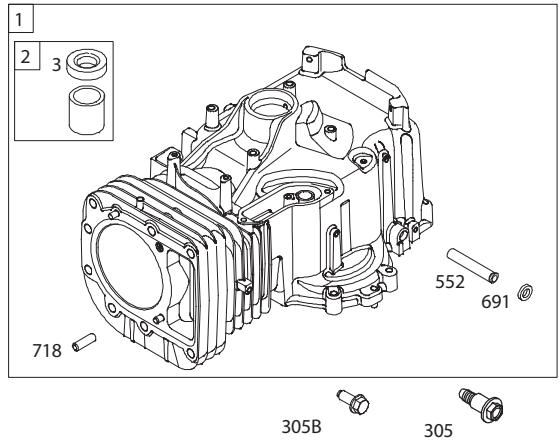
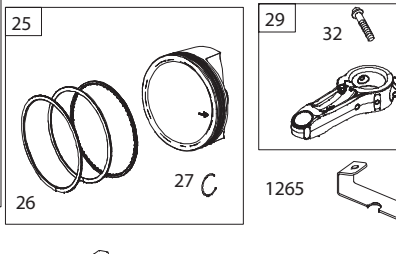
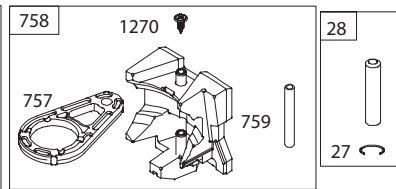
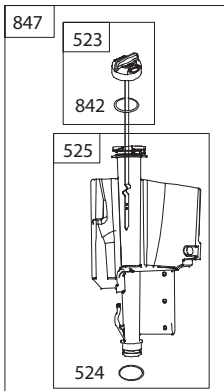
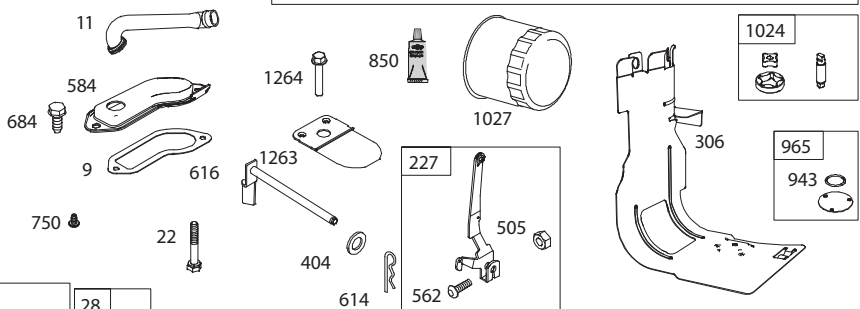
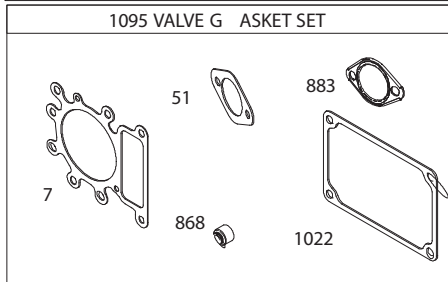
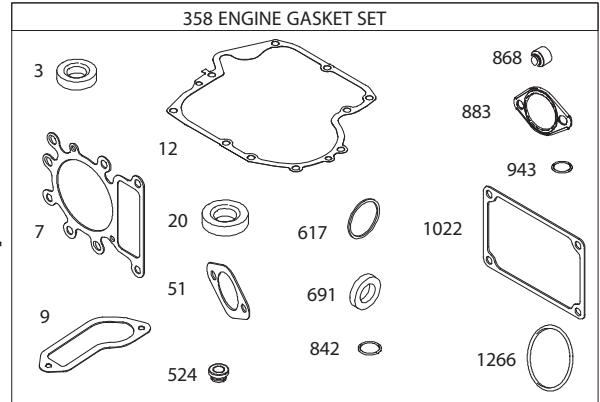
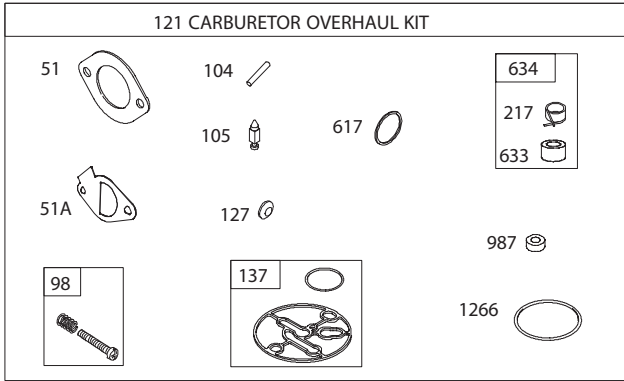
48 SHORT BLOCK

1058 OPERATOR'S MANUAL

1329 REPLACEMENT ENGINE

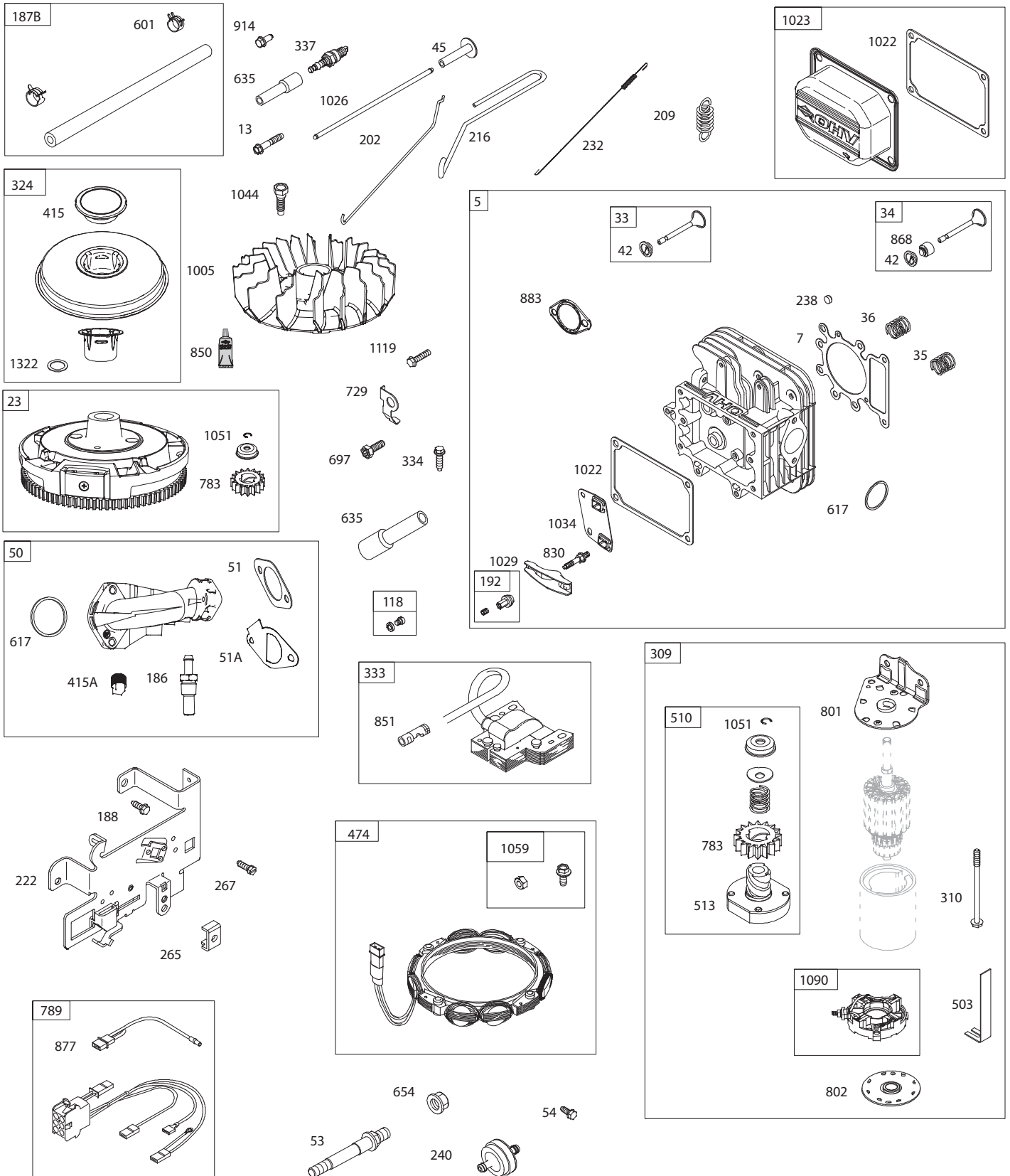
1330 REPAIR MANUAL

1036 EMISSIONS LABEL

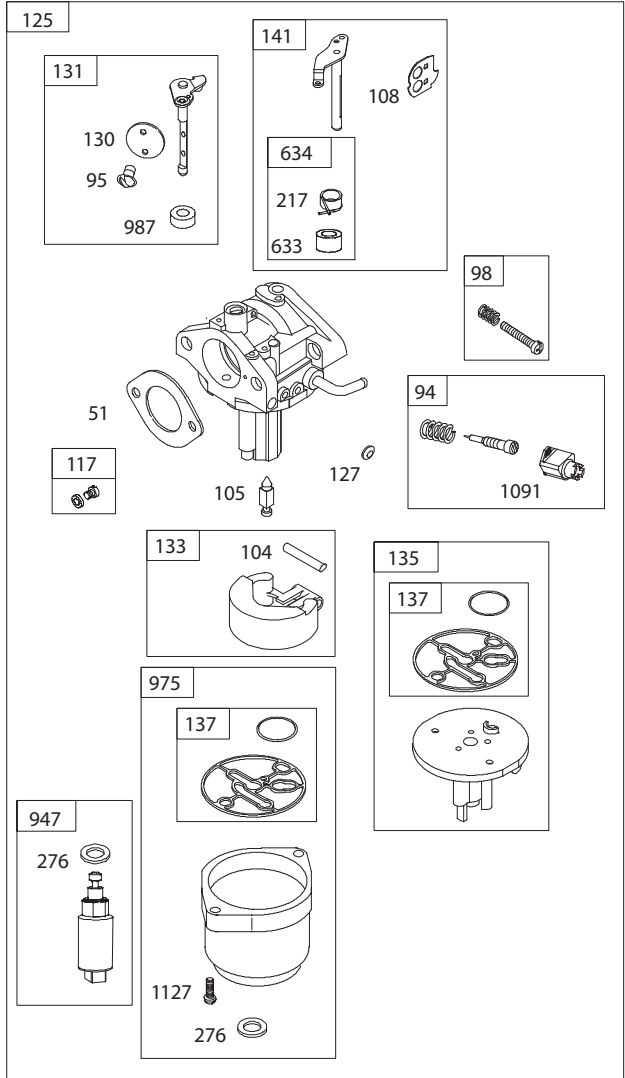
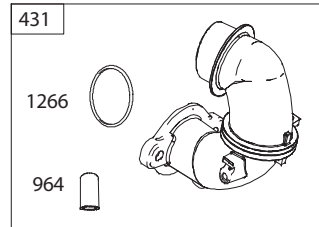
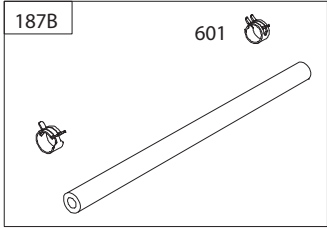


TRACTOR - - MODEL NUMBER 944.603630

BRIGGS ENGINE - MODEL NUMBER 331777, TYPE NUMBER 1523-G5



**TRACTOR - - MODEL NUMBER 944.603630
BRIGGS ENGINE - MODEL NUMBER 331777, TYPE NUMBER 1523-G5**



TRACTOR - - MODEL NUMBER 944.603630
BRIGGS ENGINE - MODEL NUMBER 331777, TYPE NUMBER 1523-G5

KEY NO.	PART NO.	DESCRIPTION	KEY NO.	PART NO.	DESCRIPTION
1	591465	Cylinder Assembly	187	791805	Line-Fuel (Formed)
2	797673	Bushing/Seal Kit (Magneto Side)			(Cut to Required Length)
3	391086s	Seal-Oil (Magneto Side)	187A	791744	Line-Fuel (Formed)
4	697188	Sump-Engine			(Cut to Required Length)
5	796026	Head-Cylinder	187B	791766	Line-Fuel (Cut to Required Length)
7	794114	Gasket-Cylinder Head	188	691693	Screw (Control Bracket)
9	697109	Gasket-Breather	192	691986	Adjuster-Rocker Arm
11	794683	Tube-Breather	202	691841	Link-Mechanical Governor
12	697110	Gasket-Crankcase	209	796260	Spring-Governor (Green)
13	592244	Screw (Cylinder Head)	216	691840	Link-Choke
15	690946	Plug-Oil Drain	217	695409	Spring-Choke Return
16	591762	Crankshaft	222	694042	Bracket-Control
20	795387	Seal-Oil (PTO Side)	227	691374	Lever-Governor Control
22	692125	Screw (Crankcase Cover/Sump)	232	691842	Spring-Governor Link
23	591759	Flywheel	238	691843	Cap-Valve
24	591757	Key-Flywheel (Steel)	240	394358s	Filter-Fuel (White)
25	795858	Piston Assembly (Standard)	265	691024	Clamp-Casing
	795877	Piston Assembly (.020" Oversize)	267	794904	Screw (Casing Clamp)
26	794126	Ring Set (Standard)	276	695410	Washer-Sealing
	794127	Ring Set (.020" Oversize)	304	591644	Housing-Blower
27	698469	Lock-Piston Pin	305	697102	Screw (Blower Housing)
28	795861	Pin-Piston			(1/4-20x1.21)
29	794122	Rod-Connecting	305A	799370	Screw (Blower Housing)
32	791118	Screw (Connecting Rod)			(1/4-20x.90)
33	792868	Valve-Exhaust	305B	795891	Screw (Blower Housing)
34	791935	Valve-Intake			(Blower Housing to Carburetor Elbow)
35	691279	Spring-Valve (Intake)			
36	691279	Spring-Valve (Exhaust)	306	794953	Shield-Cylinder
37	699882	Guard-Flywheel	307	691693	Screw (Cylinder Shield)
42	499586	Keeper-Valve	309	693551	Motor-Starter
43	691968	Slinger-Governor/Oil	310	690323	Screw (Starter Motor)
45	690564	Tappet-Valve	324	796309	Screen/Cup Assembly
46	793880	Camshaft	333	799650	Armature-Magneto
48	592058	Short Block	334	691061	Screw (Magneto Armature)
50	591248	Manifold-Intake	337	691043	Plug-Spark
51	692137	Gasket-Intake	358	796187	Gasket Set-Engine
51A	794312	Gasket-Intake	404	691691	Washer (Governor Crank)
53	591260	Stud (Carburetor)	415	794129	Plug (Cover/Retainer)
54	691148	Screw (Intake Manifold)	415A	794903	Plug
78	691693	Screw (Flywheel Guard)	431	799043	Elbow-Intake
94	793610	Kit-Idle Mixture	445	793569	Filter-Air Cleaner Cartridge
95	690718	Screw (Throttle Valve)	474	696459	Alternator
98	695408	Kit-Idle Speed	503	691532	Strap-Starter
104	694918	Pin-Float Hinge	505	691251	Nut (Governor Control Lever)
105	696136	Valve-Float Needle	510	693699	Drive-Starter
108	695419	Valve-Choke	513	692024	Clutch-Drive
117	796251	Jet-Main (Standard)	523	699908	Dipstick
118	791406	Jet-Main (High Altitude)	524	691032	Seal-Dipstick Tube
121	796184	Kit-Carburetor Overhaul	525	697184	Tube-Dipstick
125	591736	Carburetor	552	697144	Bushing-Governor Crank
127	690727	Plug-Welch	562	691119	Screw (Governor Control Lever)
130	792747	Valve-Throttle	584	794682	Cover-Breather Passage
131	792765	Kit-Throttle Shaft	601	791850	Hose-Clamp (Green)
133	694914	Float-Carburetor	614	691620	Pin-Cotter
135	698780	Tube-Fuel Transfer	616	692012	Crank-Governor
137	698781	Gasket-Float Bowl	617	692138	Seal-O Ring (Intake Manifold)
141	792777	Kit-Choke Shaft			(Red)
146	691639	Key-Timing	633	699813	Seal-Choke/Throttle Shaft
186	794873	Connector-Hose (Intake Manifold)			(Choke Shaft)

TRACTOR - - MODEL NUMBER 944.603630
BRIGGS ENGINE - MODEL NUMBER 331777, TYPE NUMBER 1523-G5

KEY NO.	PART NO.	DESCRIPTION	KEY NO.	PART NO.	DESCRIPTION
634	698779	Spring/Seal Assembly	1040	698368	Plate-Trim
635	691909	Boot-Spark Plug	1044	698139	Screw (Flywheel)
654	690958	Nut (Carburetor)	1051	691265	Ring-Retaining
684	697157	Screw (Breather Passage Cover)	1058	277675TRI	Operator's Manual
691	692407	Seal-Governor Shaft	1059	698516	Kit-Screw/Washer (Alternator)
697	791680	Screw (Drive Cap)	1090	691293	Retainer-Brush
718	690959	Pin-Locating	1091	691333	Cap-Limiter
729	691224	Clip-Wire	1095	794152	Gasket Set-Valve
741	697128	Gear-Timing	1119	691183	Screw (Alternator)
750	790832	Screw (Oil Pump Cover)	1127	695407	Screw (Float Bowl)
757	793242	Link-Counterweight	1139	796449	Washer (Fuel Pump Bracket)
758	793763	Counterweight	1263	697124	Reed-Breather
759	697392	Pin-Counterweight	1264	697104	Screw (Breather Reed)
773	96448	Retainer (Fuel Pump)	1265	794151	Support-Blower Housing
783	693713	Gear-Pinion	1266	691917	Seal-O Ring (Intake Elbow) (Red)
789	698329	Harness-Wiring	1270	793243	Plug-AVS Counterweight
801	691283	Cap-Drive	1329	331877-3036-G5	Replacement Engine
802	691286	Cap-End	1330	276781	Repair Manual
830	691095	Stud-Rocker Arm	1332	591991	Washer (Rotating Screen)
842	691031	Seal-O Ring (Dipstick)			
847	90442	Dipstick/Tube Assembly			
850	100106	Sealant-Liquid			
851	692424	Terminal-Spark Plug			
868	690968	Seal-Valve			
877	790544	Wire/Connector-Alternator			
883	692236	Gasket-Exhaust			
914	697551	Screw (Rocker Cover)			
943	690589	Seal-O Ring (Oil Pump Cover)			
947	699915	Solenoid-Fuel			
964	799159	Cap-Connector			
965	499613	Cover-Oil Pump			
967	793685	Filter-Pre Cleaner			
968	591648	Cover-Air Cleaner			
975	699502	Bowl-Fuel			
987	698777	Seal-Throttle Shaft			
1005	796084	Fan-Flywheel			
1022	272475s	Gasket-Rocker Cover			
1023	797421	Cover-Rocker			
1024	794644	Pump-Oil			
1026	692003	Rod-Push (Intake) (Aluminum)			
	692011	Rod-Push (Exhaust) (Steel)			
1027	492932s	Filter-Oil			
1029	691751	Arm-Rocker			
1034	690822	Guide-Push Rod			
1036		Label-Emissions (Available from a Briggs & Stratton Authorized Dealer)			

Carburetor Overhaul Kit Key No. 121
 Engine Gasket Set Key No. 358
 Valve Gasket Set Key No. 1095

NOTE: All component dimensions given in U.S. inches
 1 inch = 25.4 mm

SERVICE NOTES

SERVICE NOTES

Get it fixed, at your home or ours!

Just Call:

1-800-4-MY-HOME[®]

(1-800-469-4663)

24 hours a day, 7 days a week

For the repair of major brand appliances **in your own home...**
no matter who made it, no matter who sold it!

For your nearest **Sears Parts and Service** location,
to bring in products like vacuums, lawn equipment and electronics.

For **Sears Parts & Service**, to order the replacement parts,
accessories and owner's manuals that you need to do-it-yourself.

www.sears.ca

To purchase or inquire about a Sears Maintenance Agreement, call:

1-800-361-6665

9 a.m. – 11 p.m. Mon. – Fri., EST, 9 a.m. – 4 p.m. Sat.

Pour service en français:

1-800-LE-FOYER^{MC}

(1-800-533-6937)

www.sears.ca



® / TM Trademarks of Sears Brands Management Corporation used under license by Sears Canada

^{MD} Marque déposée / ^{MC} Marque de commerce de Sears Brands Management Corporation utilisée en vertu d'une licence de Sears Canada

Faites-le réparer, à domicile ou à l'atelier!

Téléphonez au:
1-800-LE-FOYER^{MC}
(1-800-533-6937)
24 heures par jour, 7 jours par semaine

Pour la réparation des appareils électroménagers de grandes marques
à votre domicile ... peu importe le fabricant ou le détaillant!

Pour connaître l'emplacement du **Service des pièces et de l'entretien**
Sears le plus proche afin d'apporter à l'atelier des produits tels que
des aspirateurs, tondeuses à gazon ou appareils électroniques.

Pour connaître le no. de téléphone du **Service des pièces et de l'entretien**
Sears afin de commander les pièces de rechange, accessoires et
manuels d'instructions requis pour effectuer vous-même les réparations.

www.sears.ca

Pour acheter ou demander des renseignements
sur un contrat d'entretien Sears, téléphonez au:
1-800-361-6665

de 9 h à 23 h du lundi au vendredi (HNE), de 9 h à 16 h le samedi!

For service in English:
1-800-4-MY-HOME[®]
(1-800-469-4663)
www.sears.ca



TRACTEUR - - NUMÉRO DE MODÈLE 944.603630 MOTEUR "BRIGGS & STRATTON" - NO. DE MODÈLE 331777, NO. DE TYPE 1523-G5

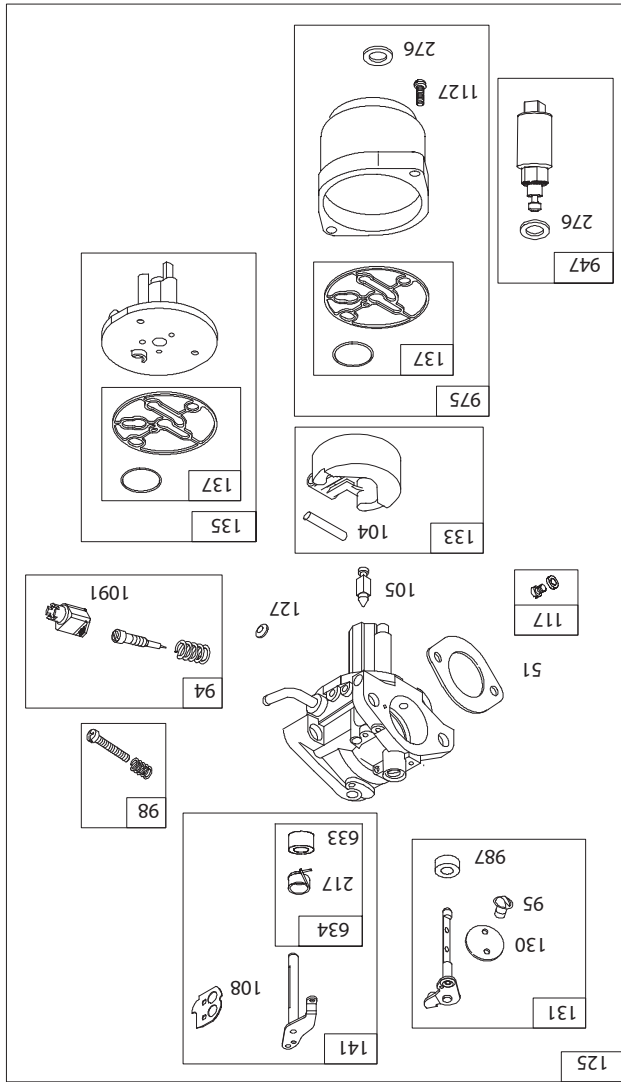
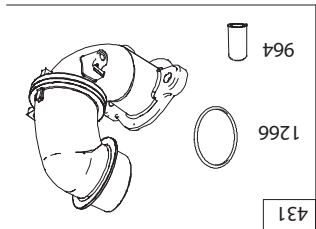
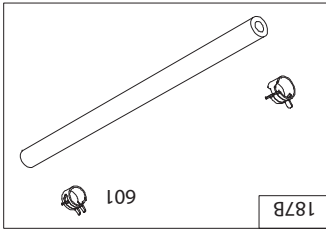
NO. DE PIÈCE	DESCRIPTION	NO. DE PIÈCE	DESCRIPTION
445	793569	965	Couverture
474	696459	967	Filtre pré-plus propre
503	691532	968	Couverture
505	691251	975	Cuve de Carburateur
510	693699	987	Anneau
513	692024	1005	Ventilateur de Volant du Moteur
523	699908	1022	Garniture, Couverture de
524	691032	1022	Garniture, Couverture de
525	697184	1023	Balancier
552	697144	1024	Couverature de Balancier
562	691119	794644	Huiler la pompe
584	794682	692003	Tige à Frein
601	791850	692011	Bouton
614	691620	492932S	Huiler le filtre
616	692012	1029	Bras de Balancier
617	692138	691751	Pousser le guide de tringle
633	699813	1034	Jeu d'étriquette (Fourni par un
634	698779	1036	revent deur autorisé Briggs &
635	691909	1040	Straton)
647	90442	698368	Plaqué
759	697392	1044	Vis
783	693713	1051	Vis/Rondelle
789	698329	1058	Provision
801	691283	1059	Bouchon
802	691286	277675TRI	Fixée, Garnitures du Soupape
830	691095	1091	Vis, Alternateur
847	90442	1091	Vis, Cuve de Flotteur
850	100106	1091	Rondelle
851	692424	1119	Vis, Alternateur
858	690968	1127	Vis, Alternateur
877	790544	1127	Vis, Alternateur
883	692236	1127	Vis, Alternateur
914	697551	1127	Vis, Alternateur
943	690589	1127	Vis, Alternateur
947	699915	1127	Vis, Alternateur
964	799159	1127	Vis, Alternateur
445	793569	965	Aérer la cartouche de filtre
505	691532	968	Démarrure sanglé
510	693699	975	Écrou de Levier de Régulateur
513	692024	987	Drive-Starteur
523	699908	1005	Conduire l'embrayage
524	691032	1022	Jauge de Remplissage d'huile
525	697184	1023	Tube de Remplissage d'huile
552	697144	1024	la Référence 309)
562	691119	794644	Douille, Manivelle du Régulateur
584	794682	692003	Bouillon de Levier de Régulateur
601	791850	692011	Couverture
614	691620	492932S	Bride de Serrage de Tuyau
616	692012	1029	Épingle de goupille fendue
617	692138	691751	Manivelle du Régulateur
633	699813	1034	Siège de Arbre de Starter /
634	698779	1036	Papillon
635	691909	1040	Ressort
647	90442	1044	Coude de Bougie d'allumage
759	697392	1051	Écrou
783	693713	1058	Vis
789	698329	1059	Vis
801	691283	277675TRI	Goupille de Emplacement
802	691286	1091	Tombone de corde
830	691095	1091	Vitesse de Distribution
847	90442	1119	Vis
850	100106	1127	Lien de contrepoids
851	692424	1127	Contrepoids
858	690968	1127	Épingle de contrepoids
877	790544	1127	Ligoter l'engrenage
883	692236	1127	Harnais
914	697551	1270	Support
943	690589	793243	Anneau
947	699915	691917	Contrepoids bouche-audiovisuel
964	799159	331877-	Moteur de remplacement
		1330	Réparer le Manuel
		1332	Rondelle
		1330	La Série de Joint de moteur
		3036-G5	La Série de Joint de soupape
		331877-	La Trousse de Révision de carburateur
		1329	No. 358
		1270	No. 1095
		793243	No. 121

REMARQUE: Toutes les dimensions de composant sont données en pouces E.-U. --1 pouce = 25,4 mm

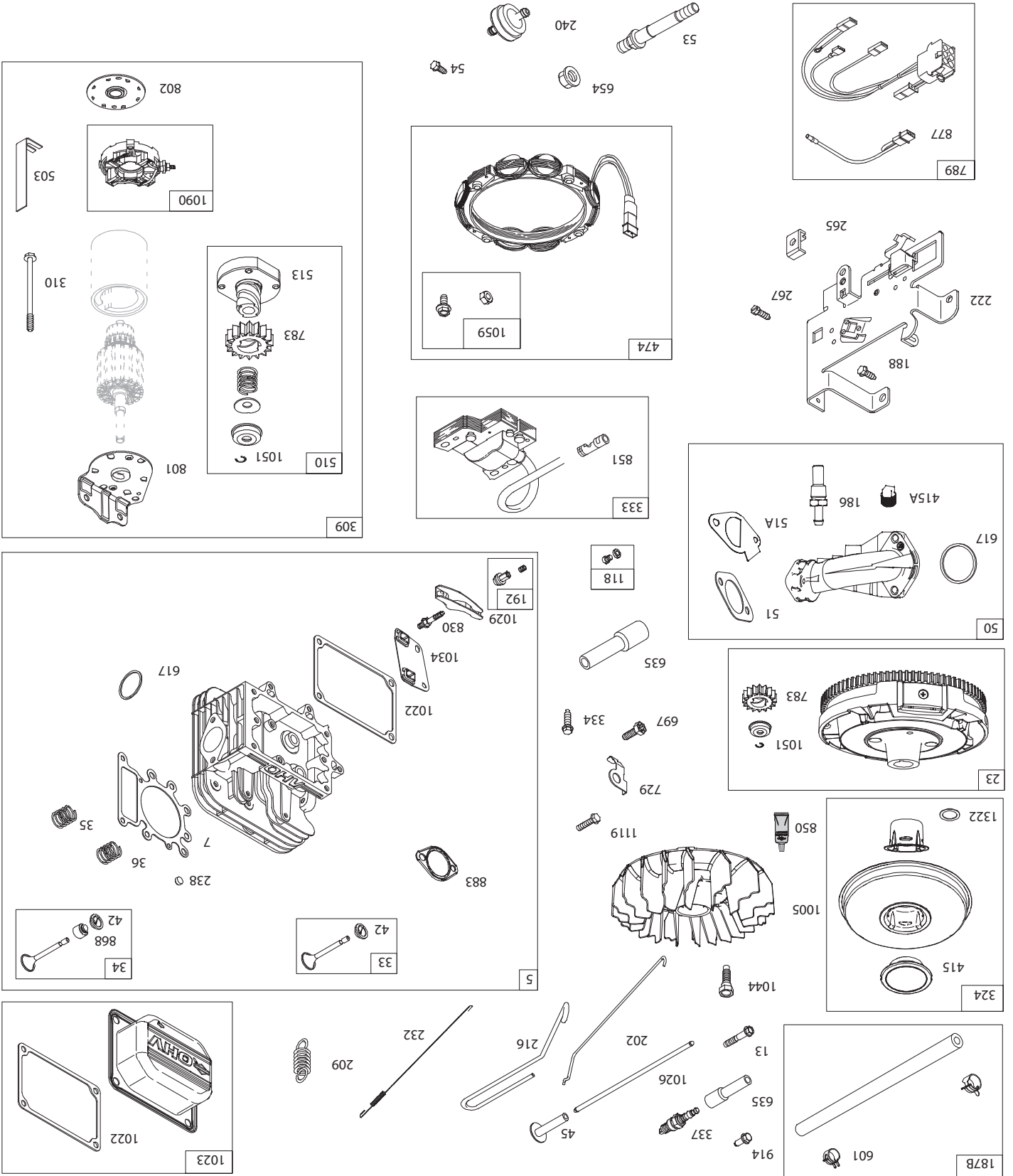
**TRACTEUR - - NUMÉRO DE MODÈLE 944.603630
MOTEUR "BRIGGS & STRATTON" - NO. DE MODÈLE 331777, NO. DE TYPE 1523-G5**

NO.	DE	PIÈCE	DESCRIPTION	NO.	DE	PIÈCE	DESCRIPTION
1		591465	Ensemble du Cylindre	104		694918	Axe de Charnière de Flotteur
2		797673	Douille de Cylindre	105		696136	Soupape de Aiguille
3		391086s	(Côté Magneto)	108		695419	Soupape à Starter
4		697188	Bague d'étanchéité (Côté Magneto)	117		796251	Giclette, Standard
5		796026	Puisard de moteur	118		791406	Giclette, Altitude Haute
7		794114	Tête de Cylindre	121		796184	Jeu de Carburateur
9		697109	Garniture de la Tête de Cylindre	125		591736	Carburateur
11		794683	Joint de Pause Sont	127		690727	Rondelle Obturatrice
12		697110	Joint-pause (Joint Liquide et le	130		792747	Soupape de Commande des Gaz
13		793988	Interchangeables)	131		792765	Rondelle Obturatrice
14		794683	Tube de Réniflard	133		694914	Etrangler la troussse d'arbre
15		690946	Garniture du Carter-moteur	135		698780	Ens. de Flotteur de Carburateur
16		591762	Tube de Réniflard	137		698781	Tube d'essence
20		795387	Garniture du Carter-moteur	141		792777	Garniture du Flotteur
22		692125	Vis de Montage de Bac à Sems	146		691639	Etouffer la troussse d'arbre
23		591759	Vilbrequin	148		794873	Ciè de la Distribution
24		591757	Bouchon de vidange	186		794873	Connecteur de tuyau
25		795858	Volant Magnéto	187		791805	Tuyau, Essence
26		794127	Ensemble du Piston, Standard	187A		791744	Tuyau, Essence
27		698469	Ensemble du Piston, 0,020" OS	192		691986	Tuyau, Essence
28		795861	Jeu des Segments de Piston, Std.	192		691986	Balancier de Réglage
29		794122	Ensemble de la Bielle	202		691841	Vis, Support de Control
32		791118	Vis de Bielle	209		796260	Vis, Support de Control
33		792868	Soupape d'échappement	217		695409	Tuyau, Essence
34		791935	Soupape d'admission	216		691840	Essence
35		691279	Soupape d'échappement	217		695409	Essence
36		691279	Soupape d'admission	222		694042	Support du Carburateur
37		699882	Ressort de Soupape	227		691374	Ensemble du Levier de Régulateur
42		499586	Ressort de Soupape	232		691842	Ressort
43		691968	Guide à Soupape	238		691843	Bouchon de soupape
45		690564	Gouverneur/huile	240		394358s	Alimenter le filtre
46		793880	Poussoir à Soupape	265		691024	Serre-joint
48		592058	Engrenage de Came	276		794904	Vis
51		690193	Bloc Court	276		695410	Rondelle
51A		794312	Prise diverse	304		591644	Boîtier de Soufflerie
53		591260	Garniture de Coude d'admission	305		697102	Vis H, Boîtier de Soufflerie
54		691148	Garniture de Coude d'admission	305A		799370	Vis
55		591260	Stud (Carburetor)	305B		795891	Vis
58		691693	Vis	307		691693	Vis, Protecteur de Cylindre
64		793610	Trousse de poulie de tension	309		693551	Démarrreur de Rebobinage
69		690718	Vis à Sems de Montage de	310		690323	Vis
78		691693	Soupape de Commande des Gaz	324		796309	Assemblée de triè/tasse
79		691693	Jeu de Vitesses à Vide	333		799650	Armature de Magneto
84		793610	Soupape de Commande des Gaz	334		691061	Vis de Armature de Magneto
85		690718	Jeu de Vitesses à Vide	337		691043	Bougie d'allumage
94		793610	Soupape de Commande des Gaz	358		796187	Jeu de la Garniture de Moteur
98		695408	Jeu de Vitesses à Vide	404		691691	Rondelle
				415		794129	Bouchon
				415A		794903	Bouchon
				431		799043	Coude de prise

**TRACTEUR - - NUMÉRO DE MODÈLE 944.603630
MOTEUR "BRIGGS & STRATTON" - NO. DE MODÈLE 331777, NO. DE TYPE 1523-G5**



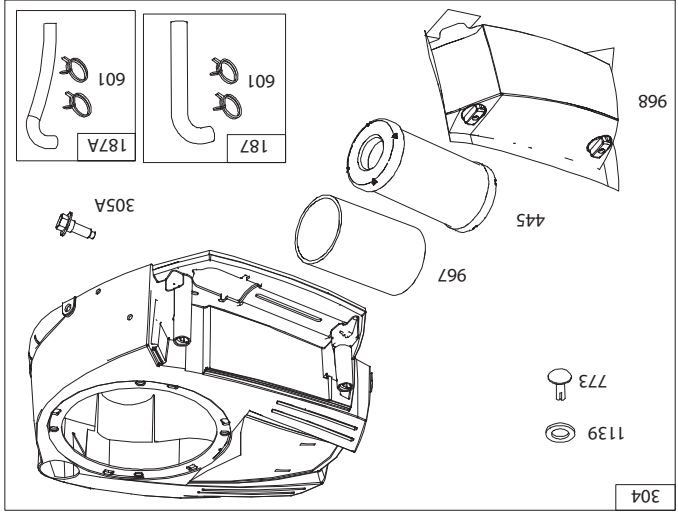
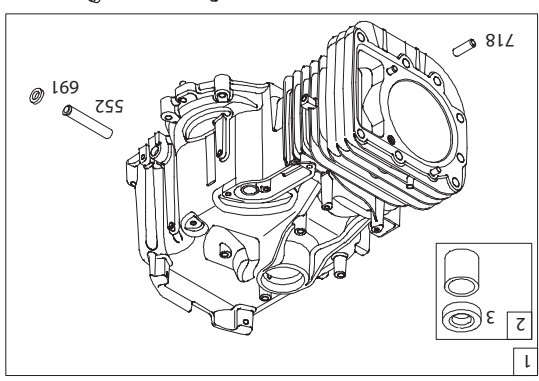
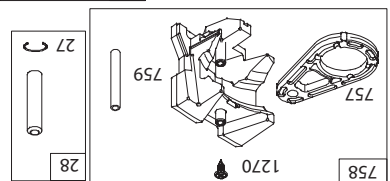
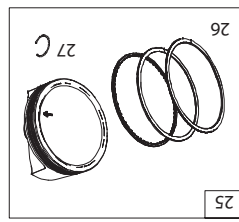
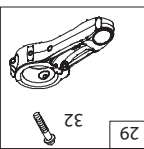
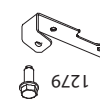
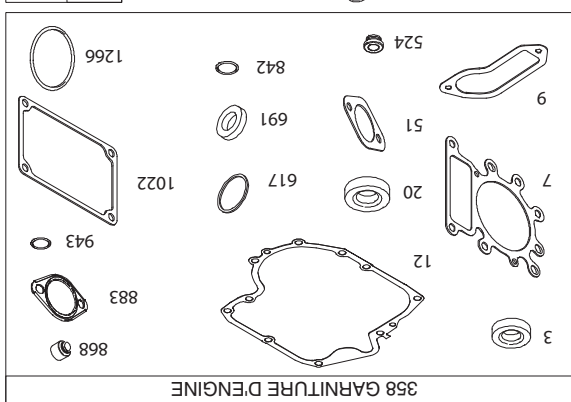
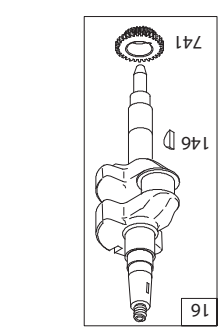
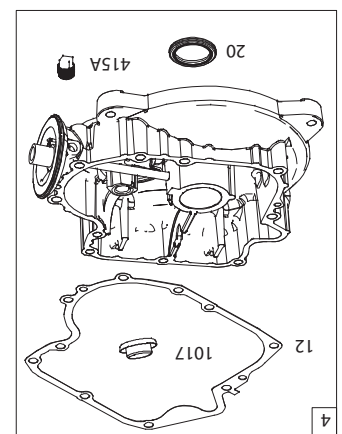
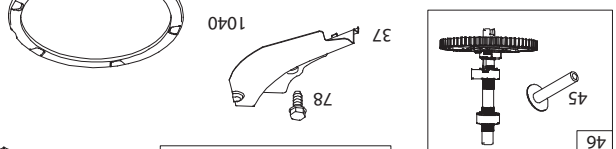
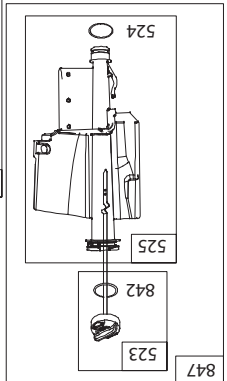
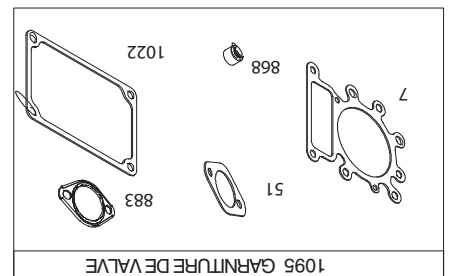
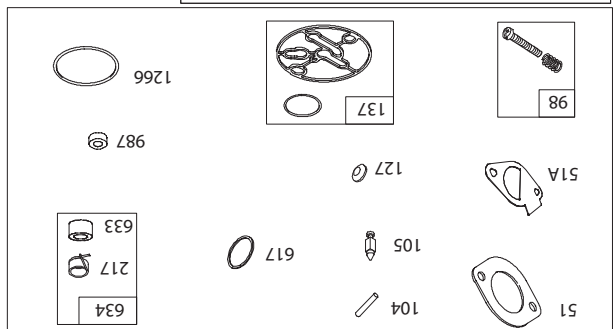
TRACTEUR - - NUMÉRO DE MODÈLE 944.603630 - NO. DE MODÈLE 331777, NO. DE TYPE 1523-G5



TRACTEUR - - NUMÉRO DE MODÈLE 944.603630 MOTEUR "BRIGGS & STRATTON" - NO. DE MODÈLE 331777, NO. DE TYPE 1523-G5

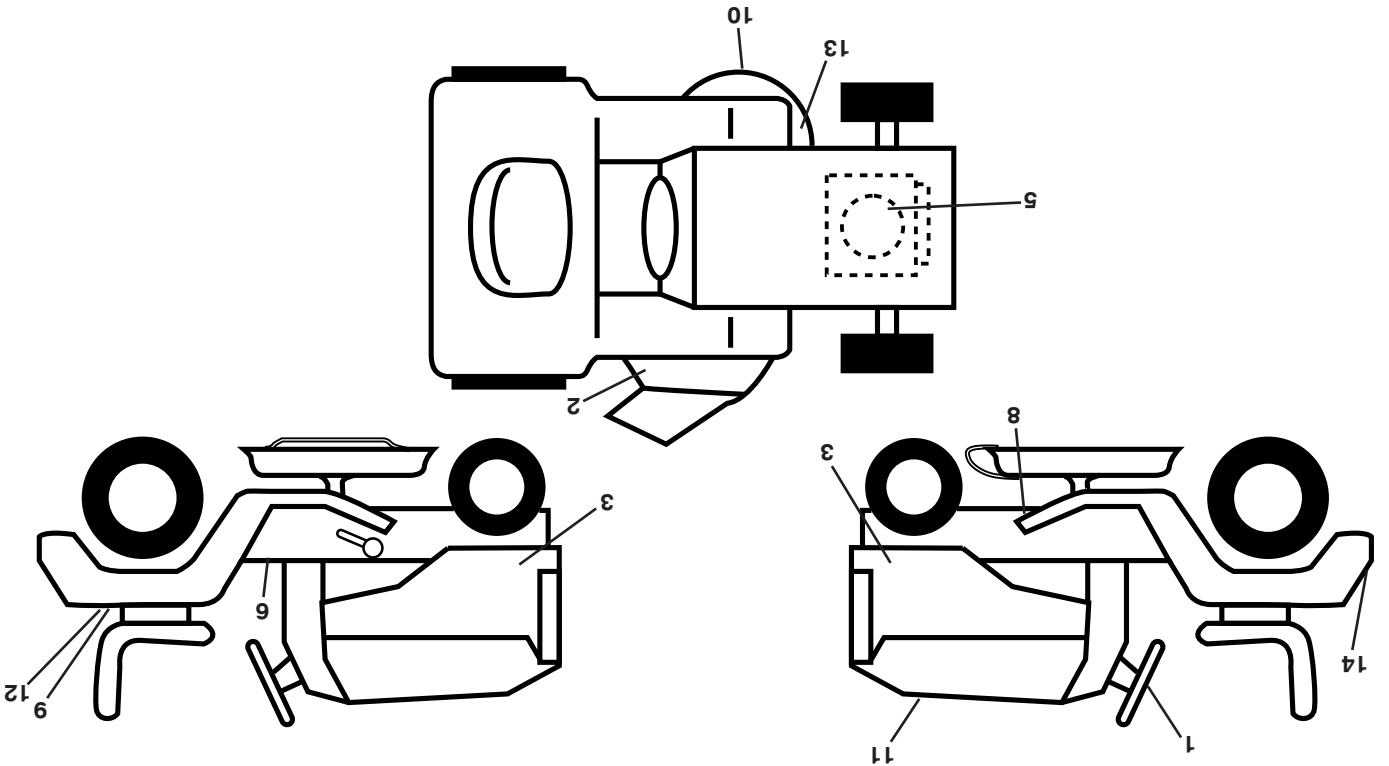
48 BLOC COURT 1058 MANUEL DE L'OPÉRATEUR 1329 MOTUER DE RECHANGÉ 1330 RÉPAREZ LE MANUEL 1036 ÉTIQUETTE D'ÉMISSIONS

121 JEU DE RÉVISION DE CARBURATEUR



TRACTEUR - - NUMÉRO DE MODÈLE 944.603630

DECALCOMANIES



NO. NO
DÉ DÉ
REF PIÈCE

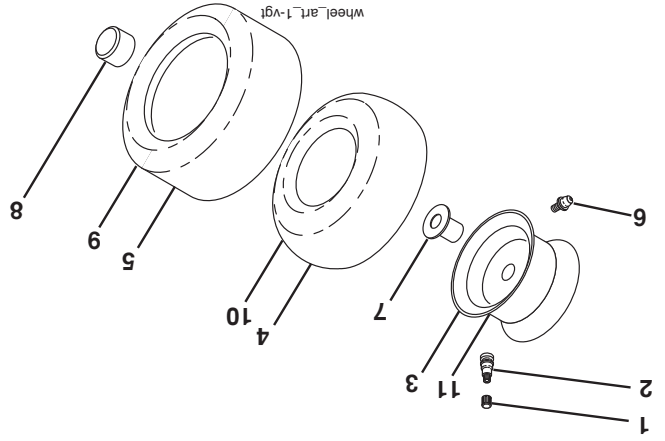
1	439525	Decalcomanie, Volant de direction
2	581579501	Decalcomanie, Avertissement du tondeuse
3	442596	Decalcomanie, Tableau (C.D.\C.G.)
4	581579901	Decalcomanie, De pare - étincelles
5	426027	Decalcomanie, Moteur
6	581579001	Decalcomanie, Pare-chocs
8	421534	Decalcomanie, Schématique du Cour-rolie "V" d'entraînement
9	149517	Decalcomanie, Batterie
10	426593	Decalcomanie, Tracteur Cooper
11	448256	Decalcomanie, Remplacement

NO. NO
DÉ DÉ
REF PIÈCE

12	448709	Decalcomanie, Batterie
13	581580001	Decalcomanie, Schématique du Cour-rolie "V" du tondeuse
14	441121	Decalcomanie, L'aile
--	581724801	Decalcomanie, Dérivation
--	193226X428	Cousin de repose-pied (C.G.)
--	193227X428	Garniture, pédale de pied
--	584471632	Manuel de L'Opérateur
--	583971273	Manuel des Pièces de Rechange (Anglais/Français)

DESCRIPTION

PNEU



NO. NO
DÉ DÉ
REF PIÈCE

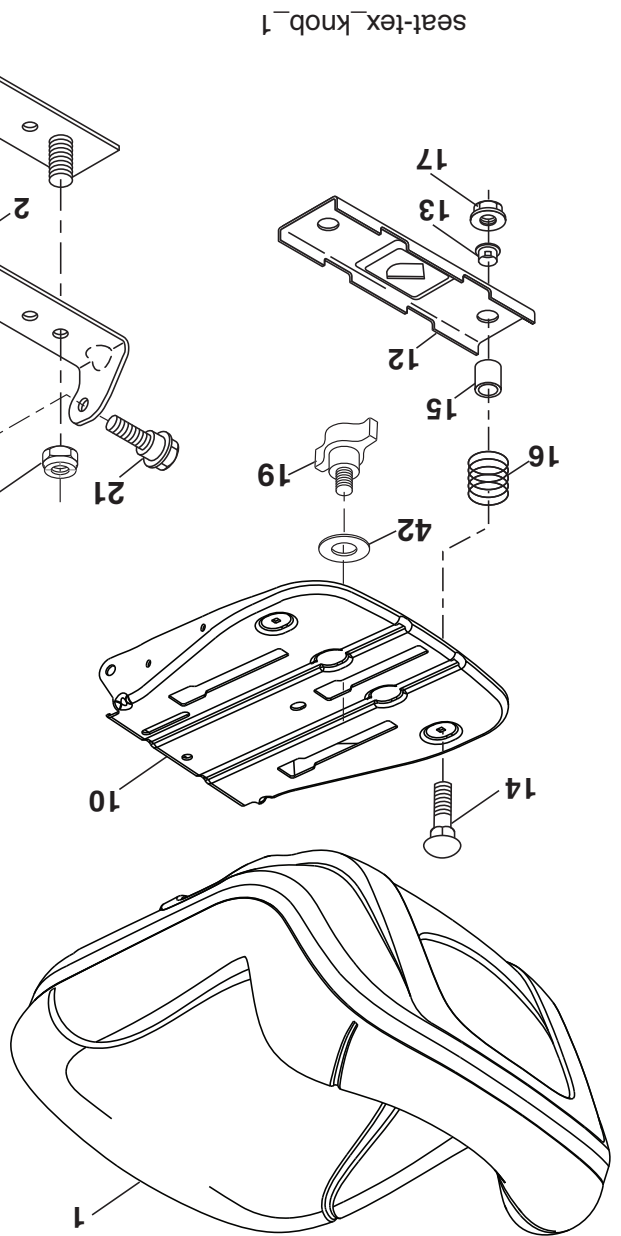
1	59192	Chapeau de soupape du pneu
2	65139	Tuyau du soupape
3	106732X613	Assemblage de la jante antérieure
4	59904	Chambre à air antérieure
5	106222X	Pneu antérieur 15 x 6.0-6
6	278H	Graisseur
7	9040H	Palier à collerette
8	104757X613	Chapeau de l'essieu (Roue antérieure seulement)
9	138468	Pneu arrière 20 x 8-8
10	7152J	Chambre à air arrière
11	106108X613	Assemblage de la jante arrière
--	144334	Joint d'étanchéité de pneu (tube de .30L [10 oz. Tube])

DESCRIPTION

REMARQUE: Toutes les dimensions de composant sont données en pouces E.-U. --1 pouce = 25,4 mm

TRACTEUR -- NUMÉRO DE MODÈLE 944.603630

ENSEMBLE DU SIÈGE



NO.	DE	PIECE
1	423644	Siège
2	180166	Support de pivot
3	140675	Support de siège
5	145006	Pince
6	73800600	Contre-écrou avec rondelle insert 3/8-16
7	124181X	Ressort de compression du siège
8	171877	Boulon 5/16-18 unc x 3/4
10	441805	Panneau du siège
12	199370	Support
13	121248X	Coussinet
14	72050412	Boulon 1/4-20 x 1-1/2

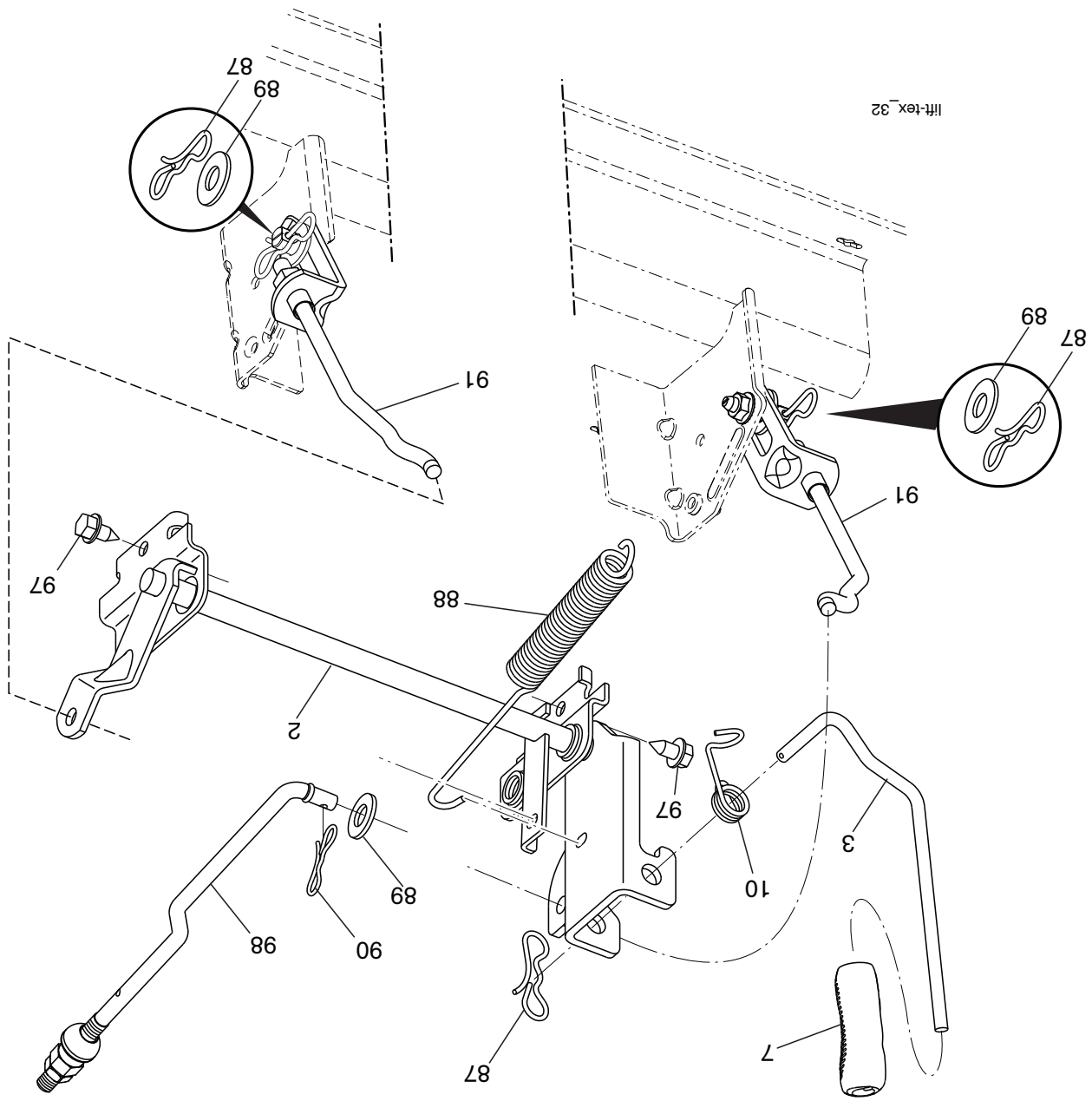
DESCRIPTION

NO.	DE	PIECE
15	134300	Entretoise
16	123740X	Ressort
17	123976X	Écrou 1/4
19	199372	Bouton
21	171852	Boulon 5/16-18
37	73800500	Contre-écrou 5/16-18
42	199371	Rondelle

DESCRIPTION

REMARQUE: Toutes les dimensions de composant sont données en pouces E.-U. -- 1 pouce = 25,4 mm

TRACTEUR -- NUMÉRO DE MODÈLE 944.603630
LEVAGE DE LA TONDEUSE



NO.	DÉ	PIÈCE	DESCRIPTION
2			Ensemble de l'arbre
3			Levier de levage (C.D.)
7			Poignée du levier
10			Ressort de torsion
87			Goupille fendue 7/16
88			Ressort du levage
89			Rondelle 17/32 x 1-3/16 x 12 Ja.
90			Goupille fendue 5/16
91			Tige de levage (C.G.)
97			Vis 3/8-16 x 3/4
98			Tige de levage du suspension avant
99			Tige de levage du suspension avant

REMARQUE: Toutes les dimensions de composant sont données en pouces E.-U. -- 1 pouce = 25,4 mm

TRACTEUR - - NUMÉRO DE MODÈLE 944.603630

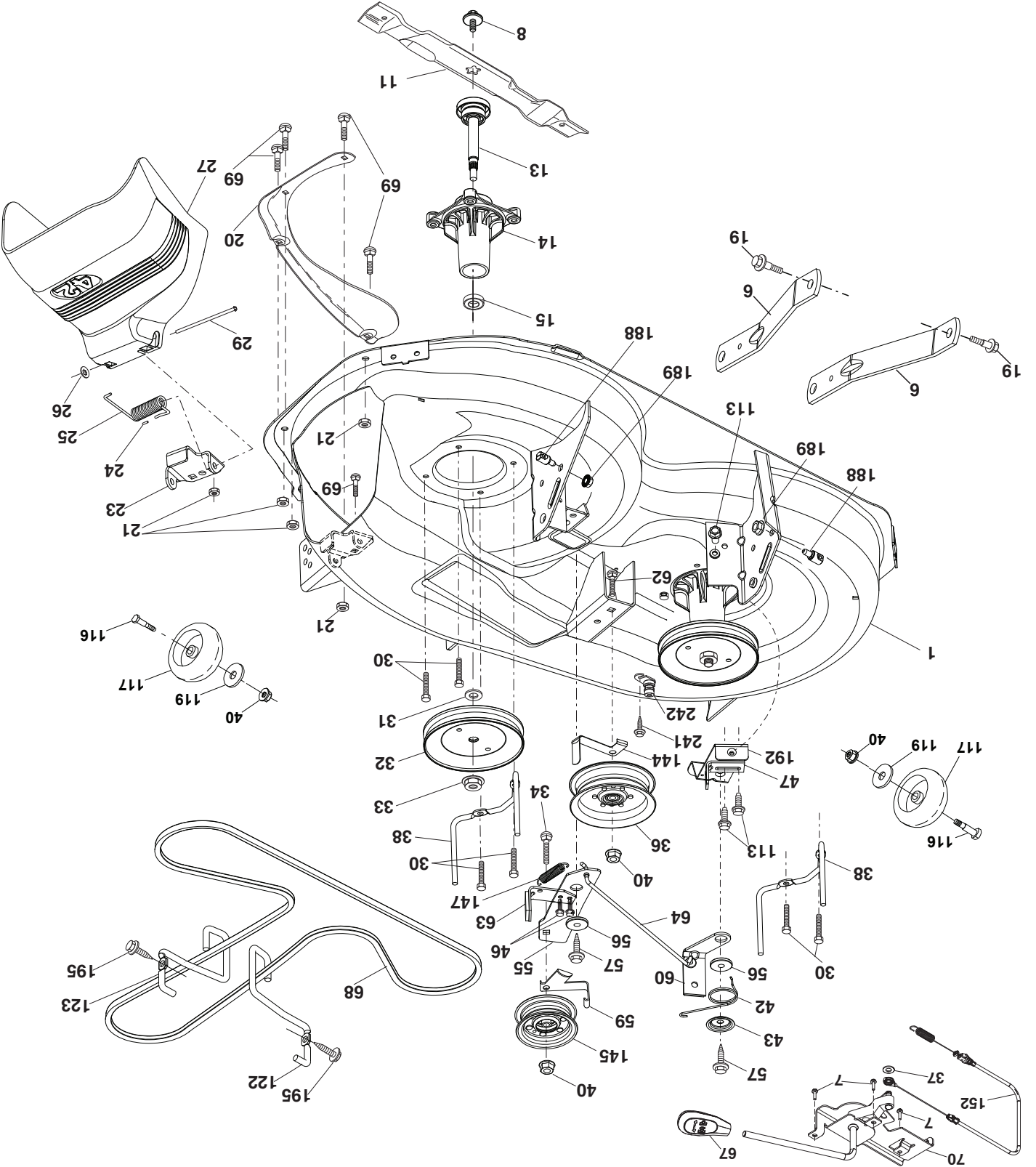
CARTER DE TONDEUSE

NO. DÉ	REF. PIÈCE	DESCRIPTION	NO. DÉ	REF. PIÈCE	DESCRIPTION
1	196495	Tondeuse du gazon	62	72110616	Boulon 3/8-16 unc x 2
6	195186	Tige du suspension	63	199477	Tige du frein du tondeuse
7	416358	Vis 10 x .750	64	199790	Tige du frein
8	193003	Boulon/Rondelle 7/16-20 untf	67	198398X428	Poignée du câble de commande
11	424752	Lame, 107 cm 3NI	68	429636	Courroie de tondeuse
--	422719	Lame, 107 cm SF 3NI	69	72140505	Boulon 5/16-18 x 5/8
--	134149	Lame de broyeuse standard	70	401246	Assemblage d'embrayage
--	139775	Lame de broyeuse supérieure	113	17000510	Boulon 5/16-18
13	192872	Assemblage d'arbre du mandrin	116	4898H	Boulon
14	187281	Boîtier de mandrin	117	188606	Mesure de roue
15	110485X	Palier du mandrin	119	19121414	Rondelle
19	196539	Boulon	122	197258	Garde du courroie (C.G.)
20	159770	Chicane	123	197259	Garde du courroie (C.D.)
21	73680500	Ecrox 5/16-18 unc	144	199204	Garde du courroie
23	192557	Support de déflecteur	145	193197	Pouille de tension
24	105304X	Chapeau	147	401971	Ressort de retour
25	197026	Ressort	152	435111	Câble d'embrayage avec ressort
26	110452X	Ecrox	188	195161	Attache à tenon
27	424469	Déflecteur	189	73900500	Contre-écrou collerette
29	131491	Tige d'articulation	192	197260	Support (C.G.)
30	173984	Vis	195	17000612	Vis 3/8-16 x 3/4
31	187690	Rondelle d'entretoise	241	152927	Vis #10-32.5. 3/8
32	197473	Pouille de mandrin	242	415598	Raccord de levage
33	400234	Ecrox	--	416405	Connecter d'accouplement du rapide
34	72110612	Boulon 3/8-16 x 1-1/2 Cat. 5	--	192870	Assemblage du mandrin (inclut boîtier
36	197379	Pouille de galet-tendeur	--	192870	(#14), ensemble arbe (#13), et palier
37	19131316	Rondelle	--	192870	seulement (#15) et écrou (#33)- pou-
38	432520	Garde de courroie	--	192870	lie/rondelle et lame, boulon/rondelle
40	73900600	Ecrox 3/8-16 unc	--	192870	n'est pas inclus)
42	198410	Ressort de torsion du frein	--	425415	Tondeuse du gazon pour remplace-
43	197256	Ressort de torsion de retenue	--	425415	ment, Complète
46	137729	Vis 1/4-20 x 5/8	--	425415	
47	197250	Support du câble de commande	--	425415	
55	437110	Tige	--	425415	
56	199092	Entretoise de retenue	--	425415	
57	17000616	Vis 3/8-16 x 1	--	425415	
59	141043	Garde de pouille	--	425415	
60	197261	Tige du frein du tondeuse	--	425415	

REMARQUE: Toutes les dimensions de composant sont données en pouces E.-U. -- 1 pouce = 25,4 mm.

TRACTEUR - - NUMÉRO DE MODÈLE 944.603630

CARTER DE TONDEUSE

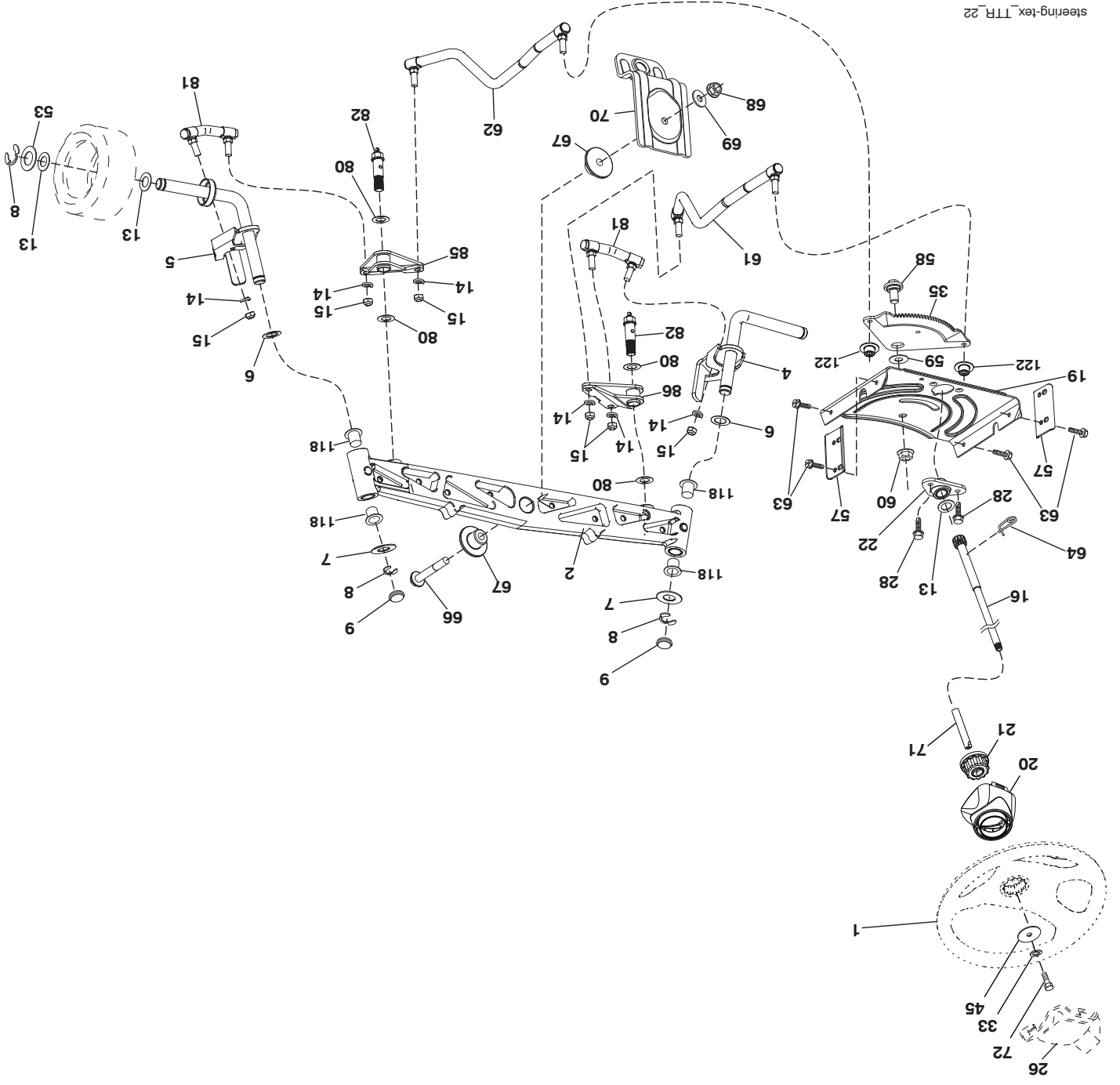


TRACTEUR - - NUMÉRO DE MODÈLE 944.603630
ENSEMBLE DE LA DIRECTION

NO.	DE	NO.	DESCRIPTION
1		414803X428	Volant de direction
2		436870	Axe avant Asmibly
4		436873	Ensemble de la broche C.G.
5		436874	Ensemble de la broche C.D.
6		6266H	Rondelle clip n°T5304-75
7		121748X	Rondelle 25/32 x 1-5/8 x 16 Ja.
8		1200029	Anneau d'agrafe #T5304-75
9		184946X667	Spindle Cape
13		121749X	Rondelle
14		10040600	Rondelle 3/8
15		73540600	Ecrou 3/8-24 unft
16		444213	Arbre de direction
19		194729	Arbre de plaque
20		400803X428	Boîte de direction
21		437747	Adapteur de volant
22		194845	Douille
26		414852X428	Insertion de volant
28		17000612	Vis 3/8-16 x 3/4
33		10040500	Rondelle 5/16
35		440770	Vitesses de plat de secteur
45		19113812	Rondelle
51		73940800	Ecrou 1/2-20 unft
53		188967	Rondelle .793 x 1.637 x .060
57		407465	Support
58		194747	Boulon
59		194748	Rondelle
60		73971000	Ecrou 5/8-11
61		436884	Tige, C.G.
62		436885	Tige, C.D.
63		17000512	Vis 5/16-18 x 3/4
64		199849	Ressort
66		71020748	Boulon 7/16-14 x 3 Serr
67		194737	Douille
68		73900700	Ecrou 7/16-14 cat. 5
69		199162	Rondelle 1.5 x .505 x .118
70		196197	Support
71		190752	Arbre de direction
72		428982	Boulon 5/16-18 x 4
80		1370H	Rondelle
81		436887	Réticulation C.G.
82		436877	Pivot Boulon
85		441873	Pivot C.G.
86		441872	Pivot C.D.
118		406013	Douille
122		444962	Chapeau

REMARQUE: Toutes les dimensions de composant sont données en pouces E.-U. -- 1 pouce = 25,4 mm

TRACTEUR - - NUMÉRO DE MODÈLE 944.603630
ENSEMBLE DE LA DIRECTION



steering-tex_TTR_22

TRACTEUR - - NUMÉRO DE MODÈLE 944.603630

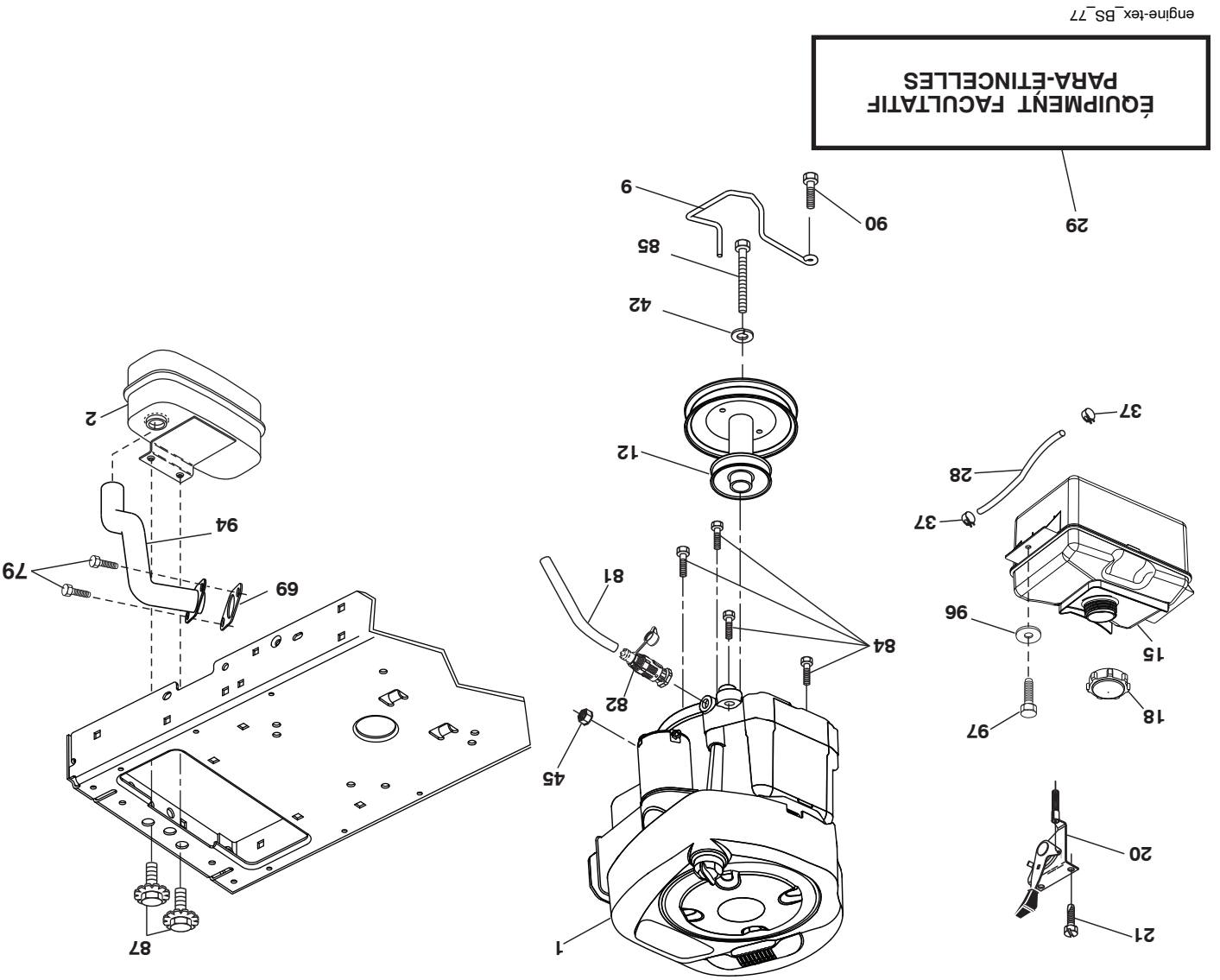
MOTEUR

NO.	DÉ	REF.	DESCRIPTION
NO.	DE	PIECE	
1	-	-	Moteur B&S No. de modèle 331777-1523-G5 (442174)
2	580532301		(Voir la assemblage du moteur)
9	584911601		Silencieux
12	401985		Garde du courroie du moteur
15	581289901		Pouille du moteur
18	430220		Réservoir d'essence
20	170545		Chapeau d'essence
21	170545		Commande des gaz et l'étrangleur
28	137040		Vis 10 x .750
29	137180		Conduite d'essence
37	123487X		Jeu de pare - étincelles
42	10040700		Collier de serrage pour tuyaux flexibles
45	73510400		Rondelle 7/16
49	73510400		Écrou 1/4-20 unc
69	165291		Garniture
79	192334		Vis 5/16-18 x .75
81	148456		Bec de vidange d'huile
82	428287		Vidange d'huile
84	17060620		Vis 3/8-16 x 1-1/4
85	173937		Boulon 7/16-20 x 4 x Cat. 5-1.5
87	171877		Boulon 5/16-18 x 3/4 w/Sems
90	17000616		Vis 3/8-16 x 1.0
94	581880901		Tube d'échappement
96	19091416		Rondelle 9/32 x 7/8 x 16 Ja.
97	17670412		Vis 1/4-20 x 3/4

REMARQUE: Toutes les dimensions de composant sont données en pouces E.-U. -- 1 pouce = 25,4 mm

Informations concernant la puissance théorique du moteur

La puissance brute pour chaque Modèle de moteur à essence est indiquée conformément au code J1940 (procédure de calcul de la puissance et du couple des petits moteurs) de la SAE (Society of Automotive Engineers) et les performances théoriques ont été obtenues et corrigées selon SAE J1995 (révision 2002-05). Les valeurs de couple sont calculées sur la base de 3060tr/min et celles de puissance sur la base de 3600tr/min. La puissance brute réelle du moteur peut être plus faible notamment à cause des conditions de fonctionnement et des variations d'un moteur à l'autre. Compte tenu de la grande variété de machines sur lesquelles nos moteurs sont utilisés et du nombre de problèmes environnementaux applicables au fonctionnement des équipements, il se peut que le moteur à essence ne développe pas sa puissance théorique une fois qu'il est monté sur une machine particulière (puissance nette ou réelle «sur site»). Cette différence s'explique par un grand nombre de facteurs, tels que (liste non limitative): accessoires (filtre à air, échappement, admission, refroidissement, carburateur, pompe à essence, etc.), limites d'utilisation, conditions ambiantes d'utilisation (température, humidité, altitude) et variations d'un moteur à l'autre. Pour des raisons de fabrication et de capacité limitées, Briggs & Stratton est susceptible de remplacer ce Modèle par un moteur plus puissant.

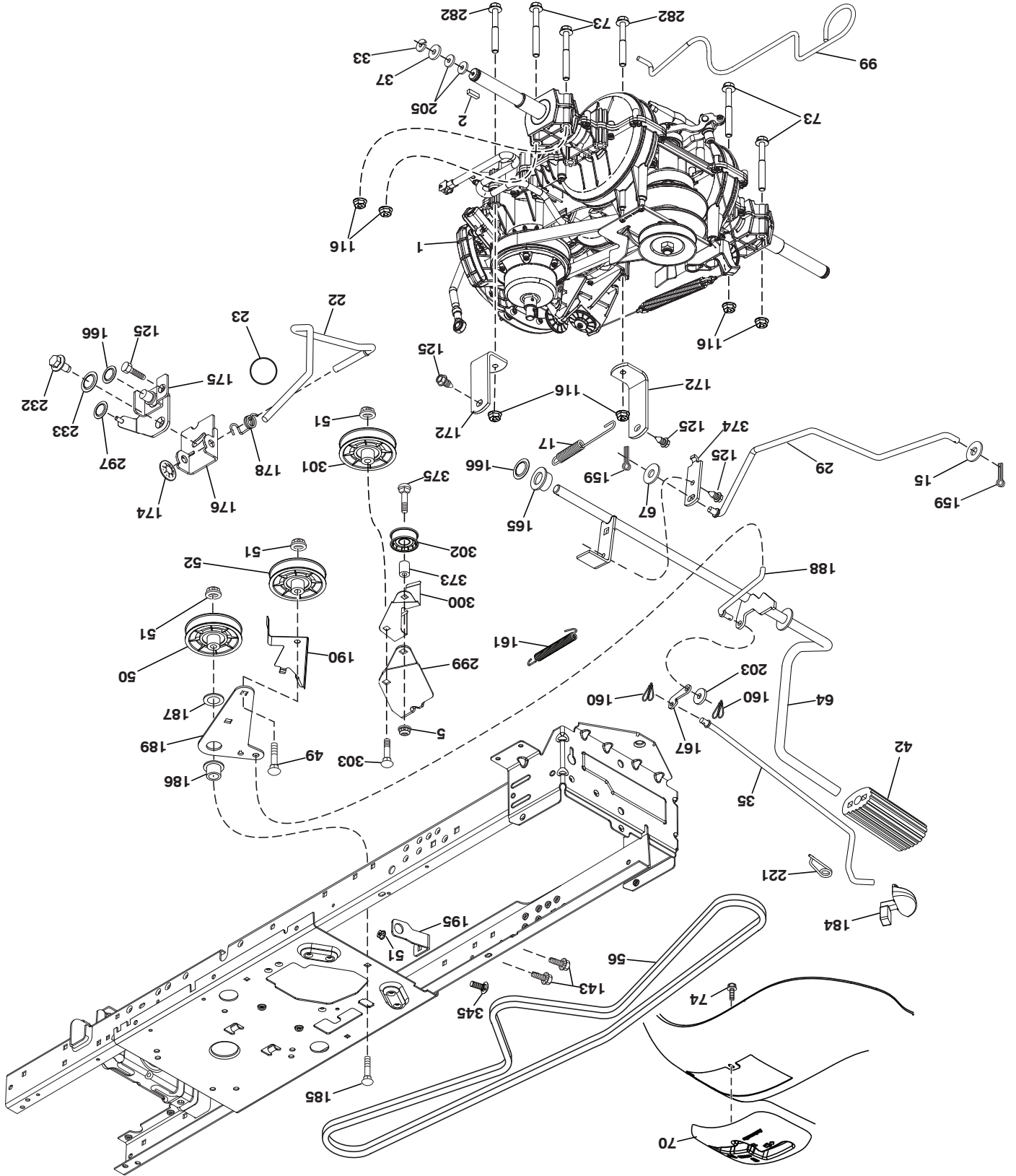


TRACTEUR - - NUMÉRO DE MODÈLE 944.603630

ENTRAÎNEMENT

NO. DE PIÈCE	DESCRIPTION	NO. DE PIÈCE	DESCRIPTION
1	Transmission, Gentrans (580486301)	172	Attache De Torsion
2	123583	174	Erou 500
5	73680600	175	Ensemble de l'arbre
15	19131316	176	Bras D'embrayage
17	413678	178	Ressort Gt 2006
22	421063	184	Guidon
23	106933X	185	Boulon 3/8-16 unc x 2-3/4 cat.5
29	581479301	186	Entretoise
33	1200001	187	Rondelle 13/32 x 2 x 10 Ja.
35	401031	188	Raccord d'embrayage
37	188967	189	Ensemble Du Levier Coude
42	8883R	190	Garde de Poullie
49	72110614	195	Support du frein
51	73900600	203	Rondelle 11/32 x 11/16 x 16 Ja.
52	194327	205	Rondelle 25/32 x 1-5/8 x 16 Ja.
56	197253	221	Ressort
64	580401501	232	Boulon 7/16-14 x 1 cat.5
67	19131312	233	Rondelle
70	415688X428	282	Boulon 5/16-18 x 13 x 0 G5
73	74490544	297	Erou 1/4
74	142432	299	Support
99	427340	300	Guide
116	73900500	301	Poullie
125	17000512	302	Galet-tendeur plat
143	17490508	303	Boulon 3/8-16 x 2-1/4
159	76020412	345	Boulon 3/8-16 x 3/4
160	169484	373	Galet-tendeur
161	105709X	374	Bras
165	196212	375	Boulon
166	429164		
167	405257		

REMARQUE: Toutes les dimensions de composant sont données en pouces E.-U. --1 pouce = 25,4 mm



TRACTEUR - - NUMÉRO DE MODÈLE 944.603630
 ENTRAINEMENT

TRACTEUR - - NUMÉRO DE MODÈLE 944.603630
CHÂSSIS/ENCEINTES

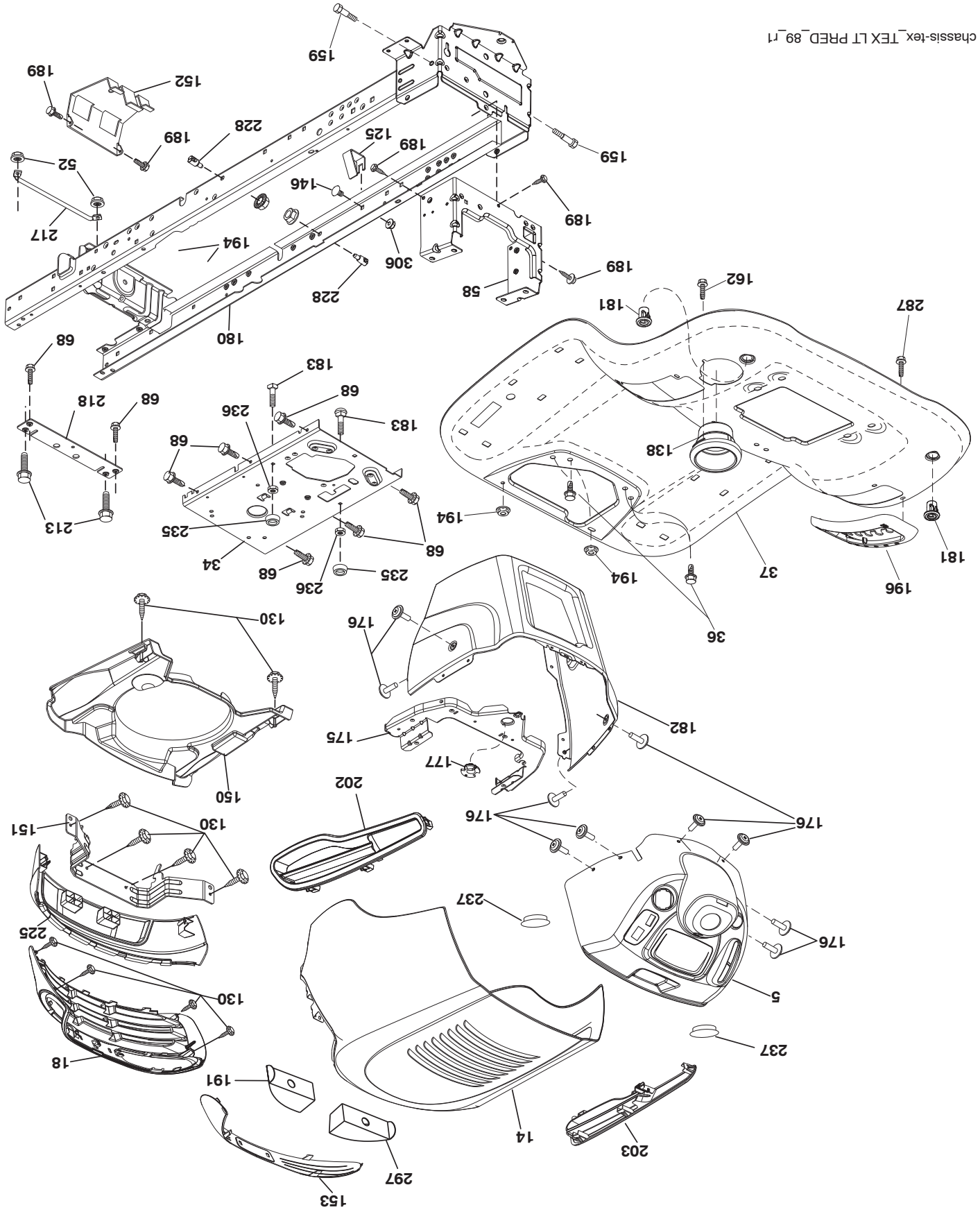
NO. DE DÉ	REF. PIÈCE	DESCRIPTION
5	400801X428	Tableau de bord
14	198416X615	Capot
18	580427601	Grille
34	580910801	Plaque
36	17060512	Vis 5/16-18 x 3/4
37	414872X615	Fender
52	73680500	Écrou 5/16-18
58	412280	Barre d'attelage
68	17490508	Vis 5/16-18 x 1/2
125	581684801	Pince
130	416358	Vis #10 x 0.750
138	193224X428	Support De Tasse
146	581857901	Boulon
150	400267	Conduit d'entrée d'air
151	187568	Support
152	199535	Bouclier de débris
153	400550X599	Lentille
159	17000612	Vis 3/8-16 x 3/4
162	142432	Vis 1/4 x 1/2
175	199472	Traverse
176	400776	Vis 10-24 x 5/8
177	195228	Coussinet
180	415063	Châssis
181	193102X428	Coussinet
182	407176	Tableau du bord inférieur
183	74520520	Boulon 5/16-18 x 1-1/4
189	17000512	Vis 5/16-18 x 3/4
191	416502	Insert (C.G.)
194	73900500	Écrou 5/16-18
196	414579	Assemblage du console
202	580427401	Événement (C.D.)
203	580427501	Événement (C.G.)
213	74760512	Boulon 5/16-18 x 3/4
217	409167	Tige
218	196395	Capot support d'arrêt
225	400549X615	Coussin
228	195161	Attache à tenon
235	406129	Étrétoise du pare-chocs
236	73930500	Écrou 5/16-18
237	403704	Bouchon
287	17600406	Vis 1/4-20 x 3/8
297	401827	Insert (C.D.)
306	73900600	Écrou

REMARQUE: Toutes les dimensions de composant sont données en pouces E.-U. -- 1 pouce = 25,4 mm

TRACTEUR - - NUMÉRO DE MODÈLE 944.603630

CHÂSSIS/ENCEINTES

chassis-tex_TEX LT PRED_89_r1



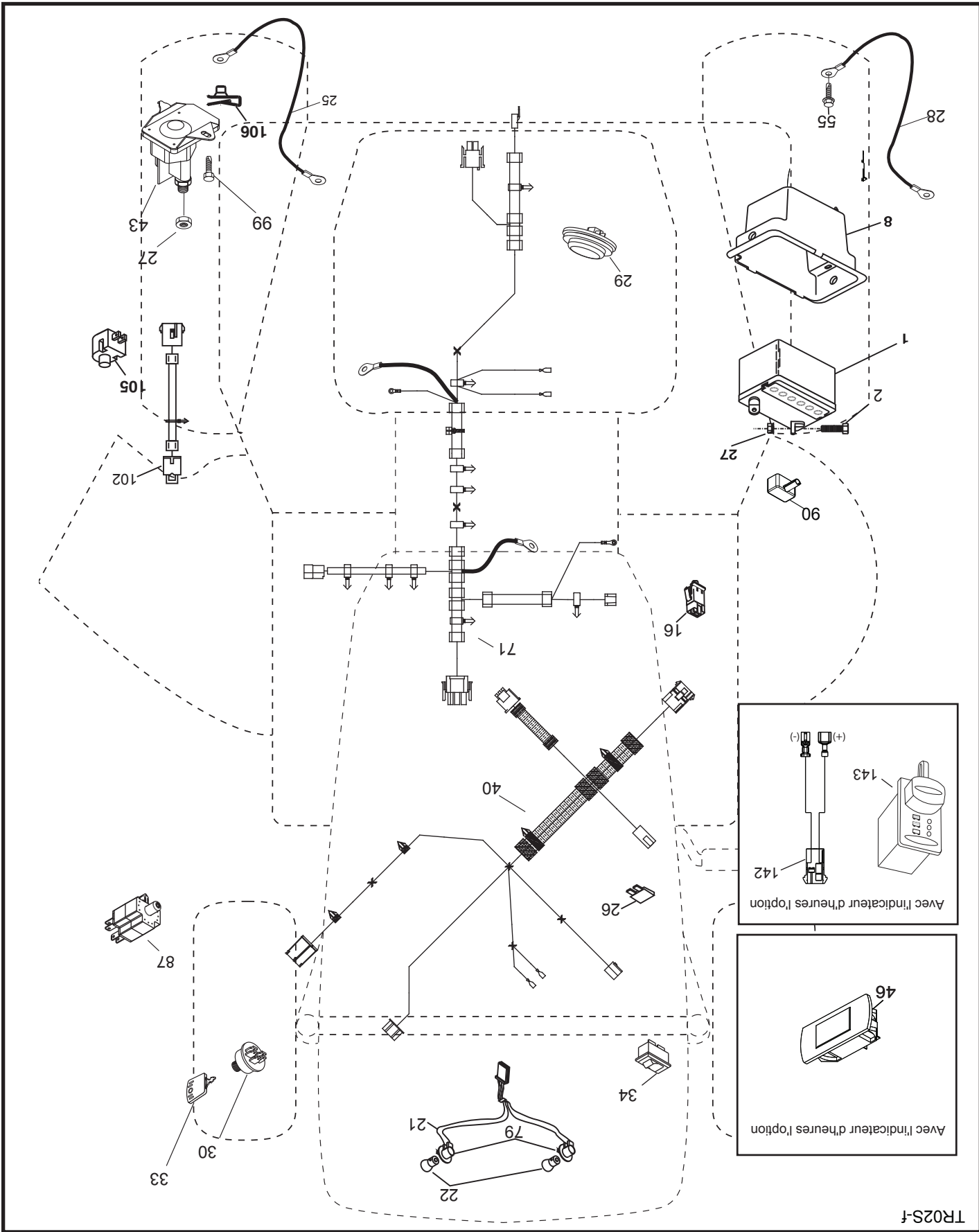
NO.	DE	RÉF.	PIÈCE	DESCRIPTION
1		163465	Batterie	
2		74760412	Boulon 1/4-20 unc x 3/4	
8		193228	Bac de batterie	
16		176138	Interrupteur	
21		400252	Harnais de prise de courant d'ampoule 4152J	
22		4152J	Ampoule	
25		581498001	Cable 6 Ja. 14.5"	
26		175158	Fusible	
27		73510400	Ecrou 1/4-20 unc	
28		421686	Câble	
29		192749	Interrupteur de siège	
30		193350	Interrupteur d'allumage	
33		411934	Cle/Chaîne	
34		110712X	Interrupteur des phares	
40		401098	Harnais (si équipé avec solénoïde avant)	
-		581023101	Harnais (si équipé avec solénoïde arrière)	
43		192507	Solénoïde	
55		17060512	Vis 5/16-18 x 3/4	
71		400449	Harnais (si équipé avec solénoïde avant)	
-		581023001	Harnais (si équipé avec solénoïde arrière)	
79		175242	Prise de courant d'ampoule	
87		197802	Interrupteur de verrouillage de câble d'embranchage	
90		435395	Couvercle du borne de batterie	
99		17670412	Vis	
102		581901601	Harnais de fil	
105		407568	Commutez, renversez	
106		174814	Ecrou	

REMARQUE: Toutes les dimensions de composant sont données en pouces E.-U. -- 1 pouce = 25,4 mm

TRACTEUR - - NUMÉRO DE MODÈLE 944.603630

ELECTRIQUE

TR02S-f



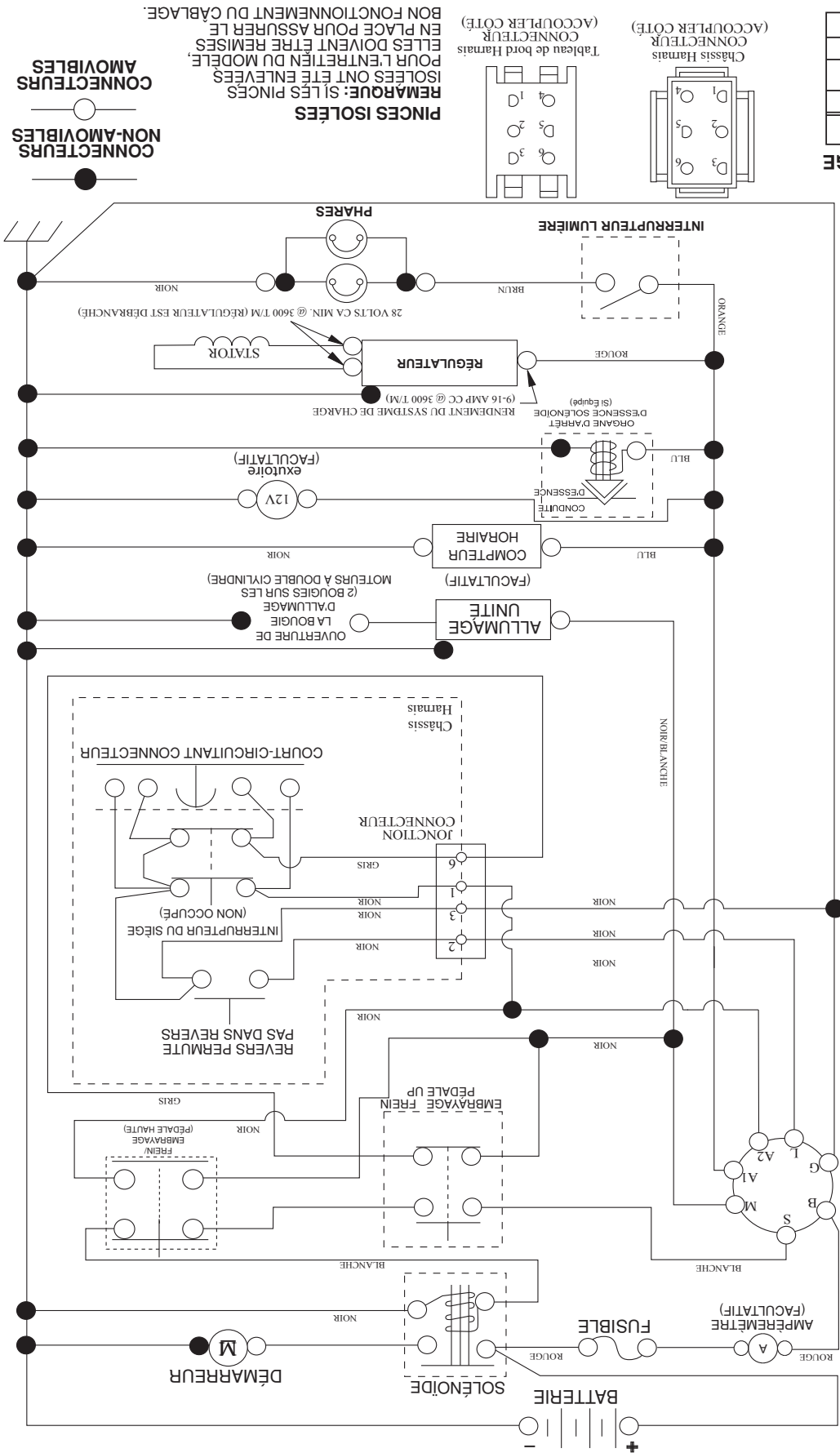
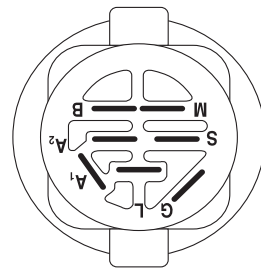
TRACTEUR - - NUMÉRO DE MODÈLE 944.603630

SCHEMA

SC10-F

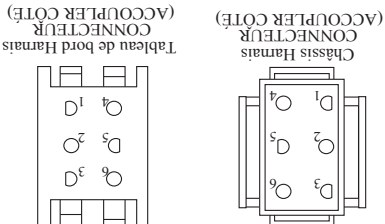
CONTACTEUR D'ALLUMAGE

POSITION	CIRCUIT "FAITS"
ARRÊT	M + G + A1
MARCHE/ALLUMAGE	B + A1
MARCHE	B + A1
DEMARRAGE	B + S + A1



CONNECTEURS NON-AMOVIBLES
CONNECTEURS AMOVIBLES

PINCES ISOLÉES
REMARQUE: SI LES PINCES ISOLÉES ONT ÉTÉ ENLEVÉES, ELLES DOIVENT ÊTRE REMISES EN PLACE POUR ASSURER LE BON FONCTIONNEMENT DU CÂBLAGE.



COMMENT UTILISER CE MANUEL

Ce manuel a été dessiné pour fournir le client avec les moyens d'identification des pièces de détails du tracteur quand il/elle a besoin de commander les pièces de rechange. Les illustrations ne peuvent pas représenter exactement le modèle que vous avez acheté. N'utilisez pas ce manuel comme un guide dans le montage et/ou démontage de votre tracteur. La visserie montrée est plus grande pour faciliter l'identification.

Chaque tracteur a un numéro de modèle particulier.

Le numéro de modèle du produit se trouvera sur l'aile, dessous le siège.

Lorsque vous commandez des pièces de rechange, donnez toujours les renseignements suivants:

- Produit - "TRACTEUR"
- NUMÉRO DU MODÈLE - "944.603630"
- Numéro de la Pièce
- Description de la Pièce

TABLE DE MATIERES

SCHEMA.....	3
ELECTRIQUE.....	4-5
CHASSIS/ENCEINTES.....	6-7
ENTRAÎNEMENT.....	8-9
MOTEUR.....	10-11
ENSEMBLE DE LA DIRECTION.....	12-13
CARTER DE TONDEUSE.....	14-15
LEVAGE DE LA TONDEUSE.....	16
ENSEMBLE DU SIÈGE.....	17
DECALCOMANIES.....	18
VOYEZ LES DÉTAILS DE MOTOR.....	19-23
ENTRETIEN DE "SEARS".....	26

Sears Canada, Inc., Toronto, Ontario M5B 2B8

*As estimé par le fabricant de moteur

Vous pouvez utiliser de l'essence contenant jusqu'à 10 % d'éthanol (E10) avec cet appareil. L'utilisation d'essence contenant plus de 10 % d'éthanol annulera la garantie du produit.

20.0 C.V.*
DÉMARRAGE ÉLECTRIQUE
TONDEUSE DE 107 CM (42 PO.)
AUTOMATIQUE
TRACTEUR DE PELOUSE



Importante: Lisez et suivez le mode d'emploi et toutes les règles de sécurité avant d'utiliser cet équipement.

NUMÉRO DE
MODÈLE
944.603630

SEARS
MANUEL DE
PIÈCES DE
RECHANGE

