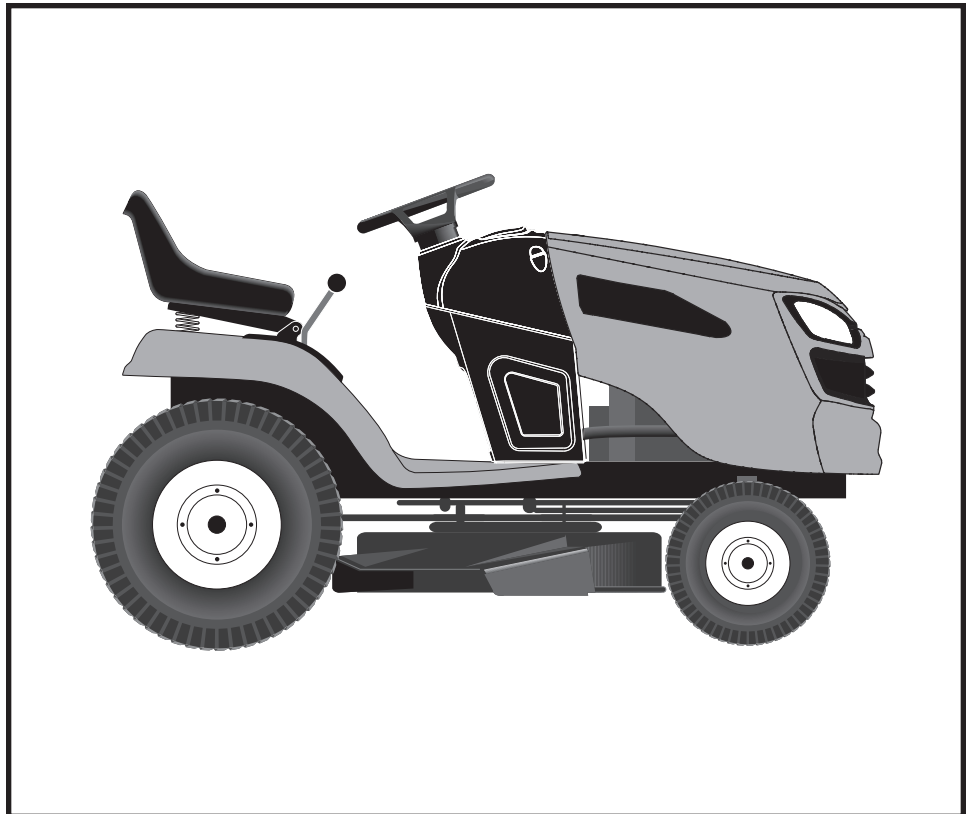


**SEARS**  
REPAIR PARTS  
MANUAL

**MODEL NO.**  
**944.603640**

**Important:**  
Read and follow  
all Safety Rules  
and Instructions  
Before Operating  
This Equipment.



**CRAFTSMAN®**

**21.0 HP\***  
**ELECTRIC START**  
**42" MOWER**  
**AUTOMATIC TRANSMISSION**  
**LAWN TRACTOR**

Gasoline containing up to 10% ethanol (E10) is acceptable for use in this machine.  
The use of any gasoline exceeding 10% ethanol (E10) will void the product warranty.

\*As rated by the engine manufacturer

**Sears Canada, Inc., Toronto, Ontario M5B 2B8**

# HOW TO USE THIS MANUAL

This manual is designed to provide the customer with a means to identify the parts on his/her tractor when ordering repair parts. The illustrations may or may not represent the actual assemblies; therefore, it is not recommended to use this manual as a guide to assemble or disassemble the tractor. Some hardware and parts are drawn larger in order to more readily identify them.

Each tractor has its own model number.

The model number for your tractor can be found on the fender under the seat.

When ordering parts, always give the following information:

- Product - "Tractor"
- MODEL NUMBER - "944.603640"
- Part Number
- Part Description

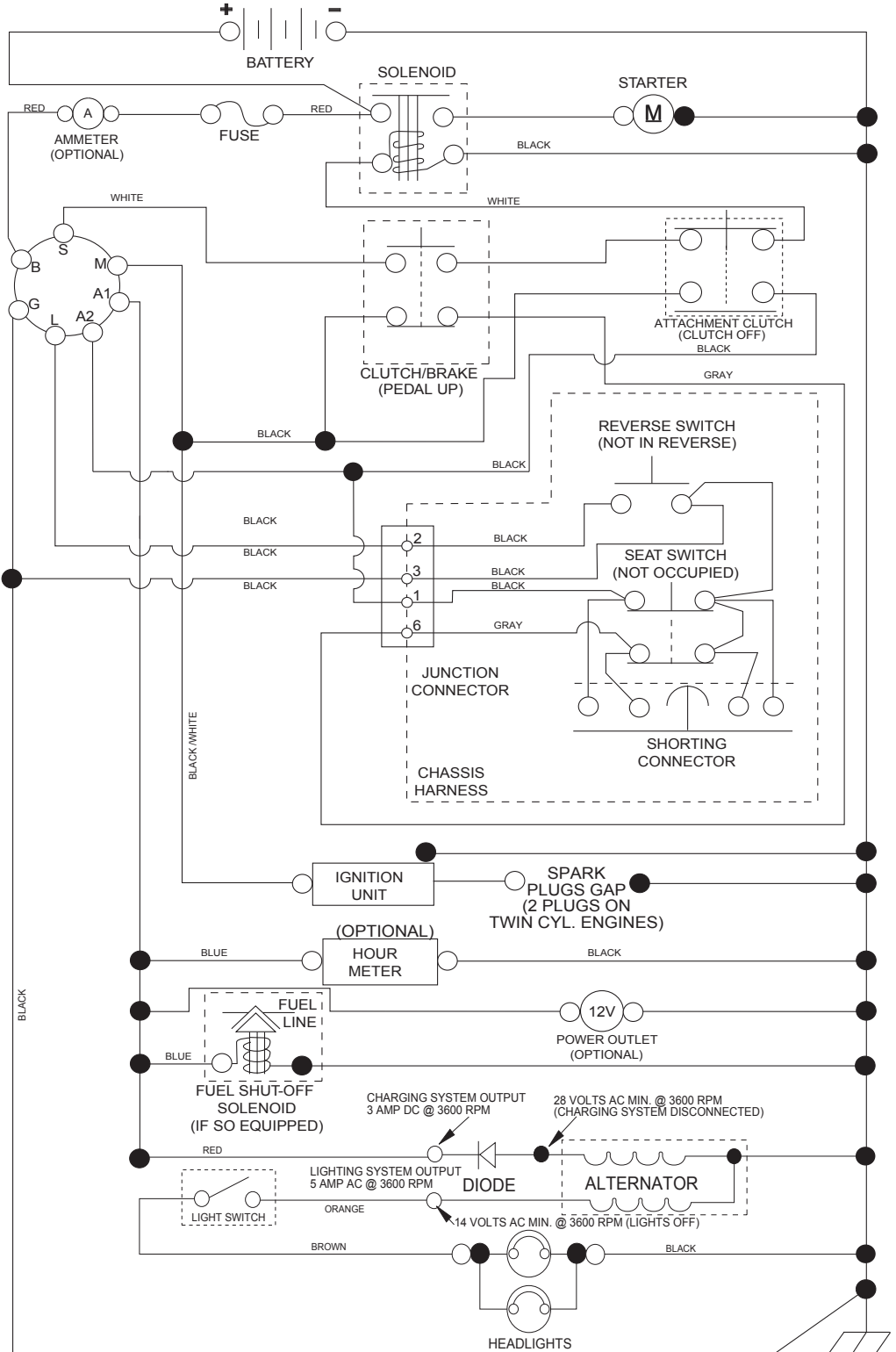
## TABLE OF CONTENTS

SCHEMATIC .....	3
ELECTRICAL.....	4-5
CHASSIS .....	6-7
DRIVE.....	8-9
ENGINE.....	10-11
STEERING .....	12-13
SEAT .....	14-15
MOWER DECK .....	16-17
MOWER LIFT.....	18
DECALS.....	19
TRANSAXLE BREAKDOWN .....	21
ENGINE BREAKDOWN.....	22-25
SEARS SERVICE .....	26

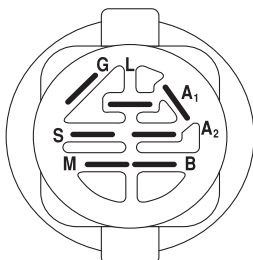
# TRACTOR - - MODEL NUMBER 944.603640

## SCHEMATIC

SCH11

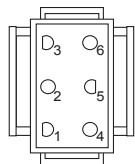


**NOTE**  
YOUR TRACTOR IS EQUIPPED WITH A SPECIAL ALTERNATOR SYSTEM. THE LIGHTS ARE NOT CONNECTED TO THE BATTERY, BUT HAVE THEIR OWN ELECTRICAL SOURCE. BECAUSE OF THIS, THE BRIGHTNESS OF THE LIGHTS WILL CHANGE WITH ENGINE SPEED. AT IDLE THE LIGHTS WILL DIM. AS THE ENGINE IS SPEEDED UP, THE LIGHTS WILL BECOME THEIR BRIGHTEST.

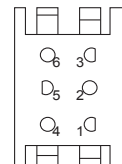


IGNITION SWITCH

POSITION	CIRCUIT "MAKE"
OFF	M+G+A1
RUN/OVERRIDE	B+A1
RUN	B+A1 L+A2
START	B + S + A1



CHASSIS HARNESS CONNECTOR (MATING SIDE)



DASH HARNESS CONNECTOR (MATING SIDE)

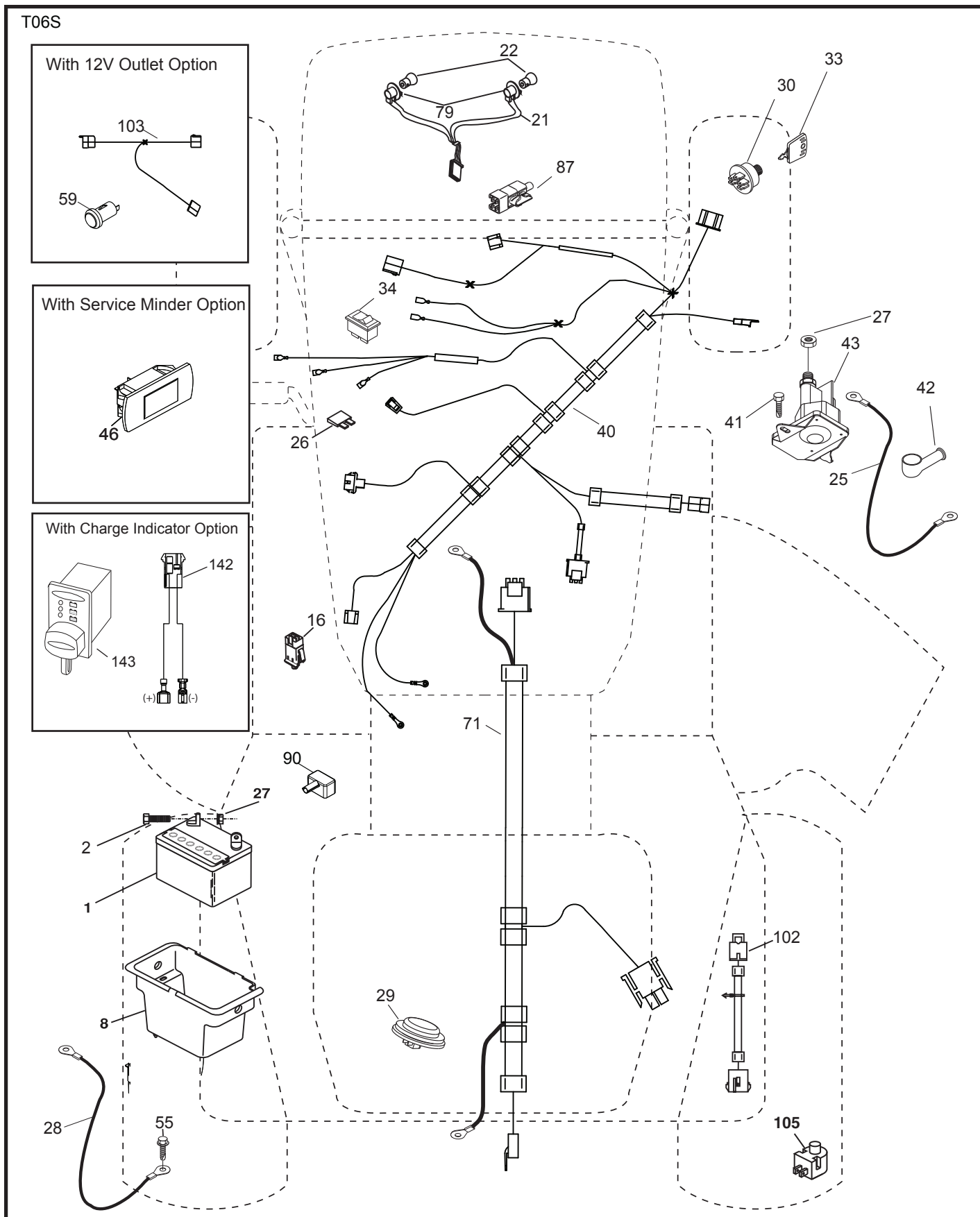
**WIRING INSULATED CLIPS**  
NOTE: IF WIRING INSULATED CLIPS WERE REMOVED FOR SERVICING OF UNIT, THEY SHOULD BE RE-INSTALLED TO PROPERLY SECURE YOUR WIRING.

NON-REMOVABLE CONNECTIONS

REMOVABLE CONNECTIONS

# TRACTOR - - MODEL NUMBER 944.603640

## ELECTRICAL



# TRACTOR - - MODEL NUMBER 944.603640

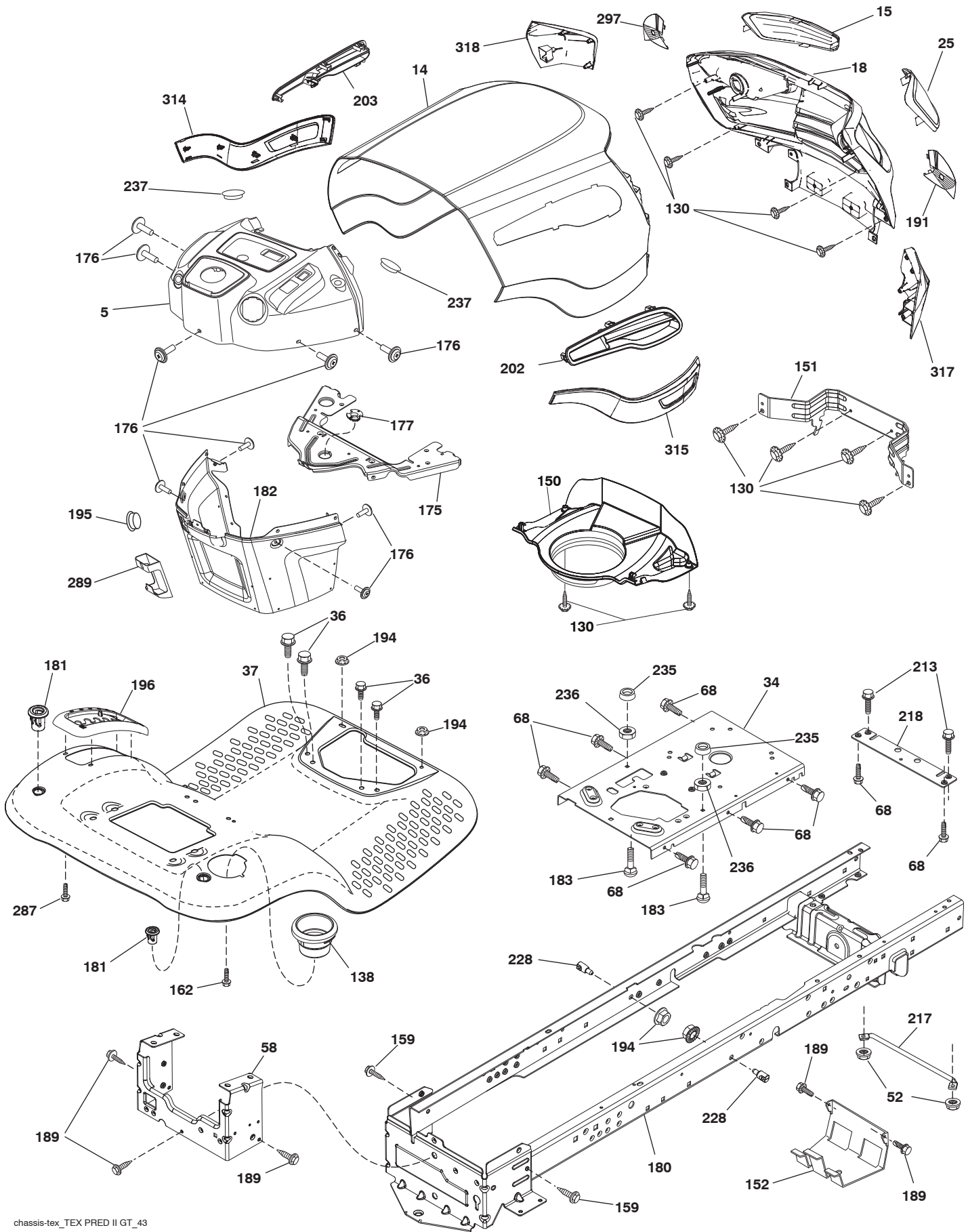
## ELECTRICAL

KEY NO.	PART NO.	DESCRIPTION
1	163465	Battery
2	74760412	Bolt Hex Hd 1/4-20 unc x 3/4
8	193228	Box Battery
16	176138	Switch Interlock Push-In
21	400252	Harness Socket Light w/4152J
22	4152J	Bulb Light
25	412895	Cable Starter
26	175158	Fuse
27	73510400	Nut Keps Hex 1/4-20 unc
28	198885	Cable, Ground
29	401545	Switch, Seat
30	193350	Switch, Ign
33	411934	Key/Chain
34	110712X	Switch Light / Reset
40	401098	Harness Ign. Dash <b>(if equipped with front solenoid)</b>
--	581023101	Harness Ign. Dash <b>(if equipped with rear solenoid)</b>
41	17720408	Screw Thd Cut 1/4-20 x 1/2
42	131563	Cover, Terminal
43	192507	Solenoid
55	17060512	Screw Thdrol 5/16-18 x 3/4 TYTT
71	400449	Harness Ign. Chassis <b>(if equipped with front solenoid)</b>
--	581023001	Harness Ign. Chassis <b>(if equipped with rear solenoid)</b>
79	175242	Bulbholder Asm. Incandescent
87	197802	Switch Interlock Clutch Cable
90	435395	Cover Terminal Battery
102	581901601	Harness Pigtail
105	407568	Switch Reverse

**NOTE:** All component dimensions given in U.S. inches  
1 inch = 25.4 mm

# TRACTOR - - MODEL NUMBER 944.603640

## CHASSIS



# TRACTOR - - MODEL NUMBER 944.603640

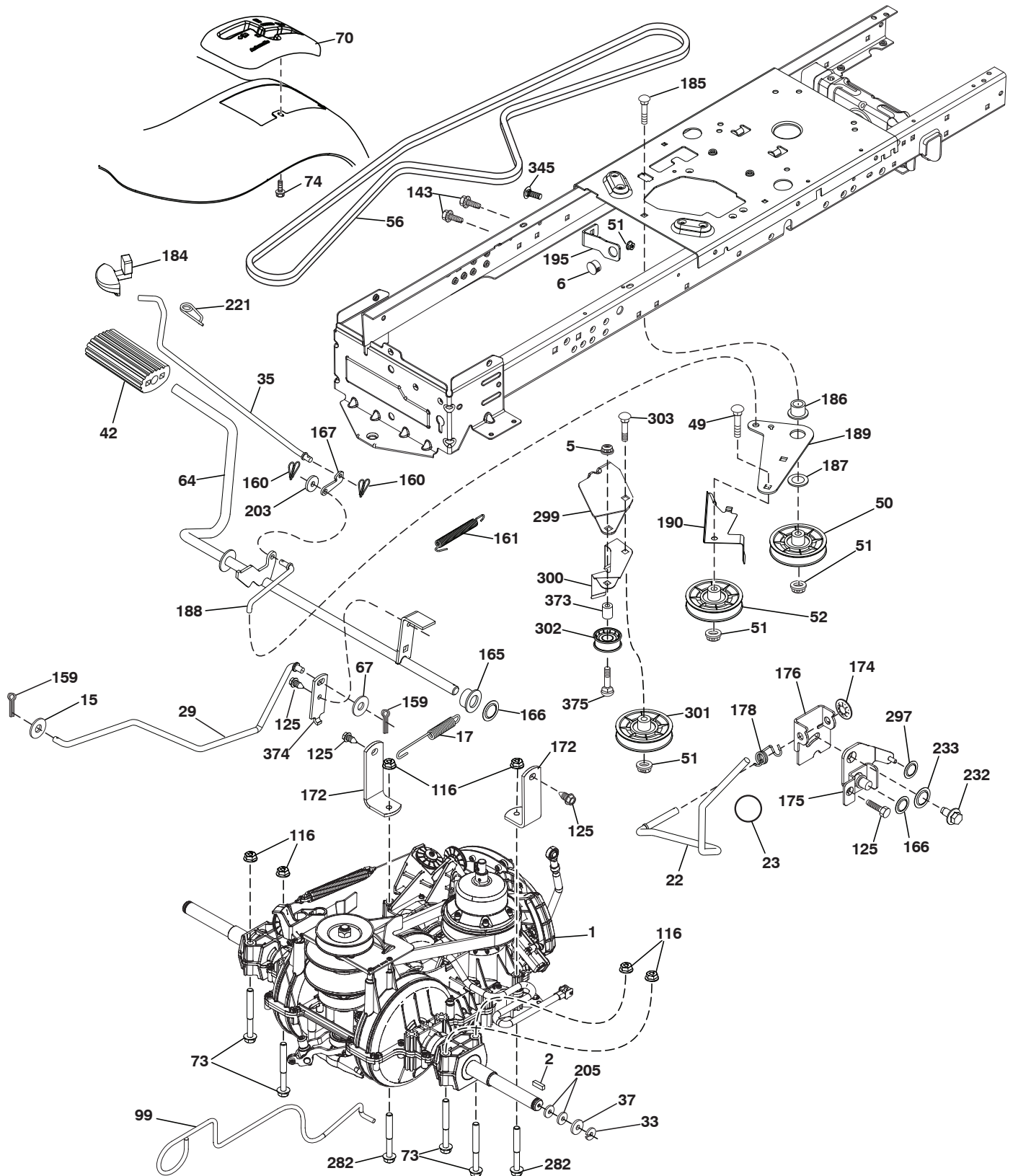
## CHASSIS

KEY NO.	PART NO.	DESCRIPTION
5	421810X428	Dash
14	421154X615	Hood
15	421493X599	Lens LH
18	441721X428	Grille
25	421494X599	Lens RH
34	580910801	Plate engine
36	17060512	Screw 5/16-18 x 3/4
37	414872X615	Fender
52	73680500	Nut Crown lock 5/16-18
58	412280	Drawbar Upper
68	17490508	Screw Thdrol 5/16-18 x 1/2
130	416358	Screw # 10 x .750 BOS Thread
138	193224X428	Cupholder
150	584862903	Duct Heat Hood
151	445494	Bracket Pivot
152	199535	Shield Browning/Debris
159	17000612	Screw Hexwsh Thdrol 3/8-16 x 3/4
162	142432	Screw Hex Wsh Hi-Lo 1/4 x 1/2
175	196304	Crossmember
176	400776	Screw 10-24 x 5/8 Wshd Qdrx
177	195227	Bushing Steering
180	415063	Chassis
181	193102X428	Bushing Mtg. Fender Crgo.
182	406859	Dash Lower
183	74520520	Bolt Fin Hex 5/16-18 x 1-1/4
189	17000512	Screw 5/16 - 18 x 3/4
191	425407	Insert Reflective RH
194	73900500	Nut Lock Hex Flange 5/16-18
195	401556x428	Plug Hole Dash 12V Adapter
196	431658	Console Asm. Deck Lift
202	441722X428	Vent Side Hood RH
203	441723X428	Vent Side Hood LH
213	74760512	Bolt Hex HD 5/16-18 unc x 3/4
217	409167	Rod Pivot Chassis
218	196395	X piece hood stop
228	195161	Stud Fastener
235	406129	Spacer Fender
236	73930500	Nut Center Lock 5/16-18
237	403704	Plug Mount Cargo
287	17600406	Screw Hex Washhead 1/4-20 x 3/8
289	199783X428	Plug Cruise/Phone Common YTGT
297	425406	Insert Reflective LH
314	441665	Trim SD LH
315	441664	Trim SD RH
317	421257X615	Bumper RH
318	421258X615	Bumper LH
---	404951X428	Plug Dash SRVMNDR

**NOTE:** All component dimensions given in U.S. inches  
1 inch = 25.4 mm

# TRACTOR - - MODEL NUMBER 944.603640

## DRIVE





# TRACTOR - - MODEL NUMBER 944.603640

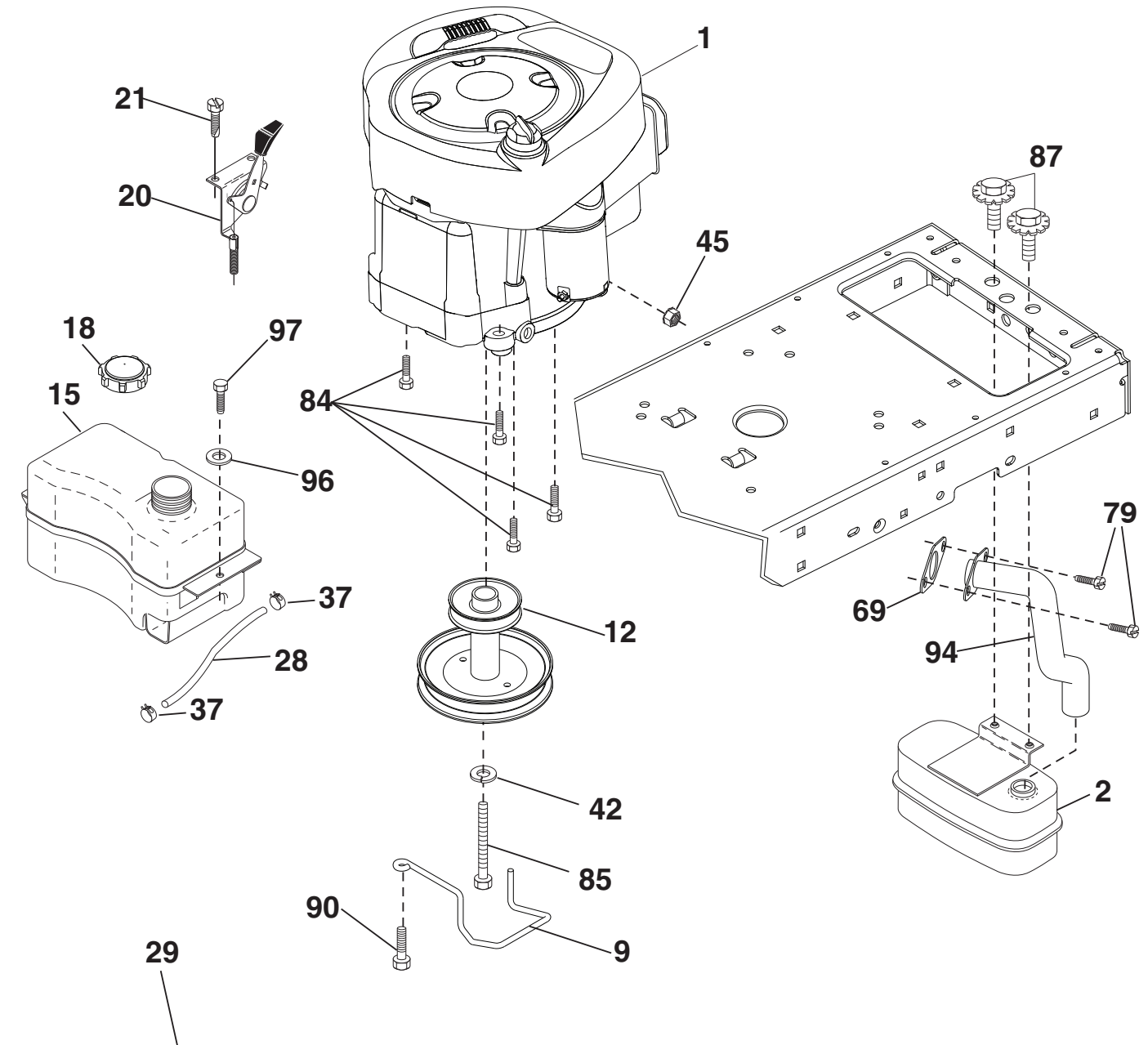
## DRIVE

KEY NO.	PART NO.	DESCRIPTION	KEY NO.	PART NO.	DESCRIPTION
1	---	Transaxle, Gentrans Variator (580486301)(Order parts from transaxle manufacturer.)	166	429164	Nut Push .625
2	123583X	Key.Square .2.0 x .1845/.1865	167	405257	Latch.Brake.Parking
5	73680600	Nut Crownlock	172	583974201	Strap Torque Lh/Rh
6	124028X	Bushing Snap	174	197289	Nut.Push..500
15	19131316	Washer 13/32 x 13/16 x 16 Ga.	175	415677	Shaft Asm Shift
17	413678	Spring Brake	176	196214	Arm.Clevis.Rod.Shift
22	421063	Rod Shift	178	197456	Spring.Shift.Gt.2006
23	140845	Knob	184	196439X667	Handle.Parking Brake.Lttex.505
29	581479301	Rod Brake	185	72110622	Bolt.Rdhd.3/8-16 Unc x 2-3/4 Gr5
33	12000001	E-Ring. #5133-75	186	194321	Spacer.Retainer
35	583864501	Rod.Brake.Parking. Lt.Tex	187	19133210	Washer.13/32 x 2 x 10 Ga.
37	188967	Washer Harden .793x1.637x060	188	194323	Link.Clutch.Ground Drive
42	8883R	Cover.Pedal.Blk.Round	189	194317	Bellcrank.Groundrive.Nstg/Nstl
49	72110614	Bolt.Rdhd.3/8-16Uncx1-3/4.Gr 5	190	194318	Keeper.Bellcrank.Drive.Ground
50	194327	Idler.Flat	195	581504601	Bracket Brake
51	73900600	Nut, Hex, Flangelock 3/8-16	203	19111116	Washer 11/32 x 11/16 x 16 Ga.
52	194326	Idler.V-Groove	205	121748	Washer.25/32 x 1-5/8 x 16Ga.
56	197253	Belt.Drive.100.97"	221	403187	Retainer.Spring.Clip.Handle
64	580401501	Shaft Asm.Pedal.Brake Control	232	74780716	Bolt.Fin Hex.7/16-14 x 1 Gr5
67	19131312	Washer 13/32 x 13/16 x 12 Ga.	233	405296	Washer.Serrated
70	440323	Console	282	74490548	Screw Thdrol 5/16-18 x 3
73	74490544	Bolt.Hex.Flghd.5/16-18.Gr.5	297	420223	Nut Push 1/4
74	142432	Screw.Hex.Wsh.Hi-Lo.1/4 X 1/2 unc	299	415683	Bracket Mount Idler
99	435935	Rod Bypass	300	415681	Keeper Idler Rear
116	73900500	Nut, Lock Hex Flange 5/16-18 unc	301	415680	Pulley Idler V-Groove
125	17000512	Screw.5/16-18 x 3/4.Smgml. Tap/Bl	302	581420501	Pulley Idler Flat 2.0 Od
143	17490508	Screw.Thdrol.5/16-18 x 1/2 Tytt	303	72110618	Bolt Rdhd Sgnk 3/8-16 x 2-1/4
159	76020412	Pin Cotter 1/8 x 3/4	345	72110606	Bolt Rdhd Sqnk 3/16 x 1 GR5
160	169484	Retainer.Clip(M).Dia.290	373	581461801	Spacer Idler
161	105709X	Spring.Return.Clutch.6.75	374	581475201	Arm Control Brake
165	196212	Bushing.Shaft.Brake.Hand Contr	375	74760636	Bolt Hex

**NOTE:** All component dimensions given in U.S. inches  
1 inch = 25.4 mm

# TRACTOR - - MODEL NUMBER 944.603640

## ENGINE



**OPTIONAL EQUIPMENT**  
**Spark Arrester**

engine-tex\_BS\_57

# TRACTOR - - MODEL NUMBER 944.603640

## ENGINE

KEY PART NO.	PART NO.	DESCRIPTION
1	---	Engine B&S Model No. 331977-0003-G5 (581629101) (See engine breakdown.)
2	580532301	Muffler
9	584911601	Keeper Belt Engine
12	401985	Pulley Engine
15	581290101	Tank Fuel
18	430220	Cap Asm. Fuel
20	175438X428	Control Throttle/Choke
21	416358	Screw 10 x .750 BOS Thread
28	401137	Fuel Line
29	137180	Spark Arrester Kit
37	123487X	Clamp Hose
42	10040700	Washer Lock 7/16
45	73510400	Nut Keps Hex 1/4-20 unc
69	165291	Gasket
79	192334	Screw 5/16-18 x .75
84	17060620	Screw 3/8-16 x 1-1/4
85	173937	Bolt Hex 7/16-20 x 4 x Gr. 5-1.5
87	171877	Bolt 5/16-18 unc x 3/4 w/Sems
90	17000616	Screw 3/8-16 x 1.0
94	581880901	Exhaust Tube
96	19091416	Washer 9/32 x 7/8 x 16 Ga.
97	17670412	Screw 1/4-20 x 3/4

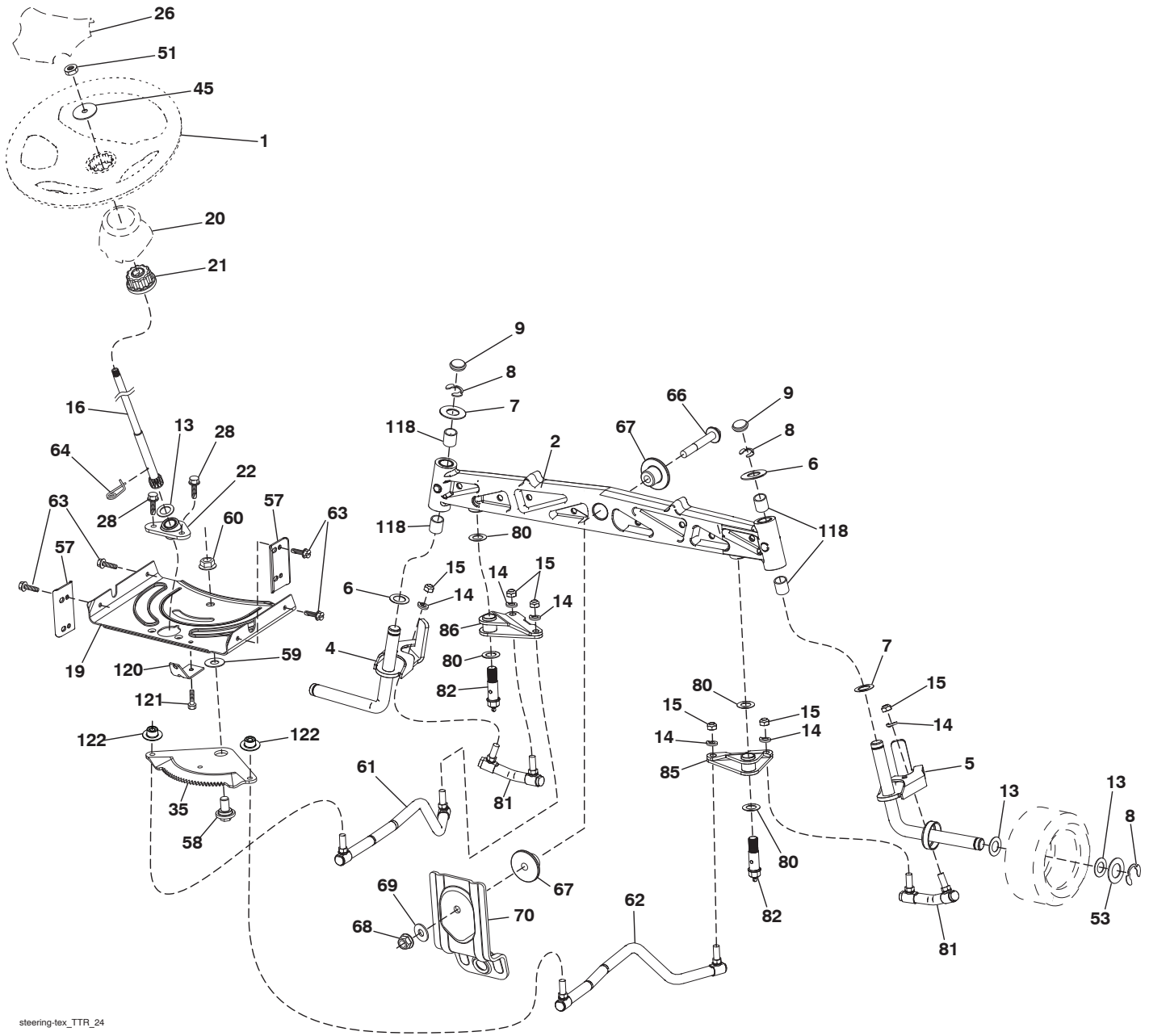
**NOTE:** All component dimensions given in U.S. inches  
1 inch = 25.4 mm

### Engine Power Rating Information

The gross power rating for individual gas engine models is labeled in accordance with SAE (Society of Automotive Engineers) code J1940 (Small Engine Power & Torque Rating Procedure), and rating performance has been obtained and corrected in accordance with SAE J1995 (Revision 2002-05). Torque values are derived at 3060 RPM; horsepower values are derived at 3600 RPM. Actual gross engine power will be lower and is affected by, among other things, ambient operating conditions and engine-to-engine variability. Given both the wide array of products on which engines are placed and the variety of environmental issues applicable to operating the equipment, the gas engine will not develop the rated gross power when used in a given piece of power equipment (actual "on-site" or net power). This difference is due to a variety of factors including, but not limited to, accessories (air cleaner, exhaust, charging, cooling, carburetor, fuel pump, etc.), application limitations, ambient operating conditions (temperature, humidity, altitude), and engine-to-engine variability. Due to manufacturing and capacity limitations, Briggs & Stratton may substitute an engine of higher rated power for this Series engine.

# TRACTOR - - MODEL NUMBER 944.603640

## STEERING ASSEMBLY



steering-tex\_TTR\_24

# TRACTOR - - MODEL NUMBER 944.603640

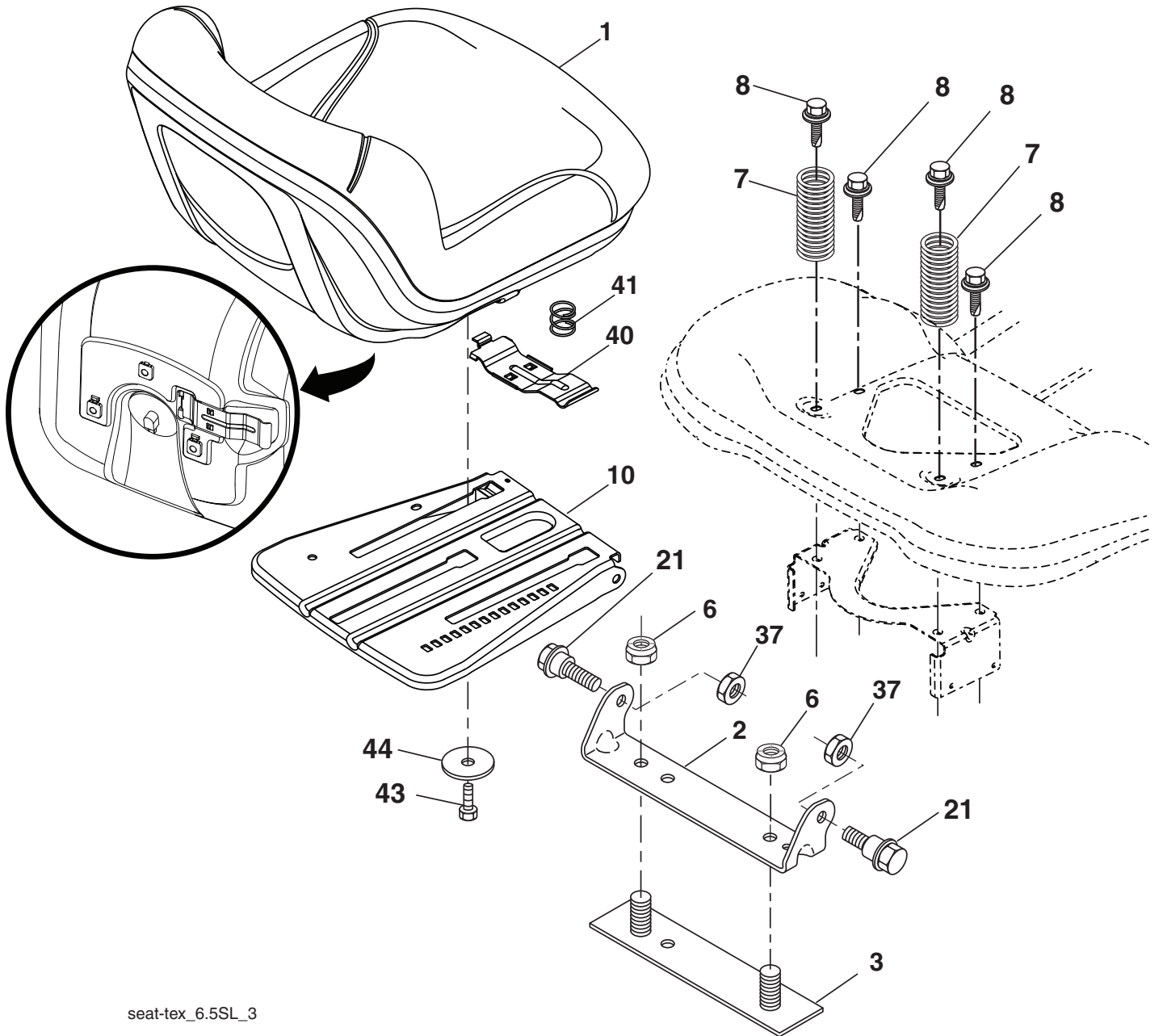
## STEERING ASSEMBLY

KEY NO.	PART NO.	DESCRIPTION
1	414803X428	Wheel, Steering
2	436870	Axle Asm., Front
4	436873	Spindle Asm., LH
5	436874	Spindle Asm., RH
6	6266H	Washer Thrust
7	121748X	Washer 25/32 x 1-5/8 x 16 Ga.
8	1200029	Ring, Klip #T5304-75
9	184946X667	Cap, Spindle
13	121749X	Washer 25/32 x 1-1/4 x 16 Ga.
14	10040600	Washer, Lock Hvy Hlcl Spr 3/8
15	73540600	Nut, Crown Lock 3/8-24 unf
16	440785	Shaft Steering
19	194729	Plate Steering
20	199676X428	Boot, Steering
21	437747	Adapter, Wheel Steering
22	194845	Bushing, Supt. Lower
26	414852X428	Insert, Wheel Steering
28	17000612	Screw 3/8-16 x 3/4
35	440770	Gear, Sector Plate
45	19183812	Washer 9/16 x 2-3/8 x 12 Ga.
51	73940800	Nut Hex 1/2-20 unf
53	188967	Washer Hardened .793 x 1.637 x .060
57	407465	Bracket Upstop
58	194747	Bolt Shoulder Sector Pivot CFM
59	194748	Washer Thrust Sector Steering
60	73971000	Nut Flange Lock 5/8-11
61	436884	Draglink LH
62	436885	Draglink, RH
63	17000512	Screw 5/16-18 x 3/4
64	199849	Retainer Clip Spring Steering
66	71020748	Bolt Hex Fghd 7/16-14 x 3 Serr
67	194737	Bushing PM Front Axle
68	73900700	Nut Lock Flange 7/16-14 Gr. 5
69	199162	Washer 1.5 x .505 x .118
70	196197	Bracket Deck Susp. Front
80	1370H	Washer
81	436887	Link RH
82	436877	Pivot Bolt
85	441873	Pivot RH
86	441872	Pivot LH
118	406013	Bushing
120	415689	Bracket Locator
121	17490508	Screw
122	444962	Cap Gear

**NOTE:** All component dimensions given in U.S. inches  
1 inch = 25.4 mm

# TRACTOR - - MODEL NUMBER 944.603640

## SEAT ASSEMBLY



seat-tex\_6.5SL\_3

# TRACTOR - - MODEL NUMBER 944.603640

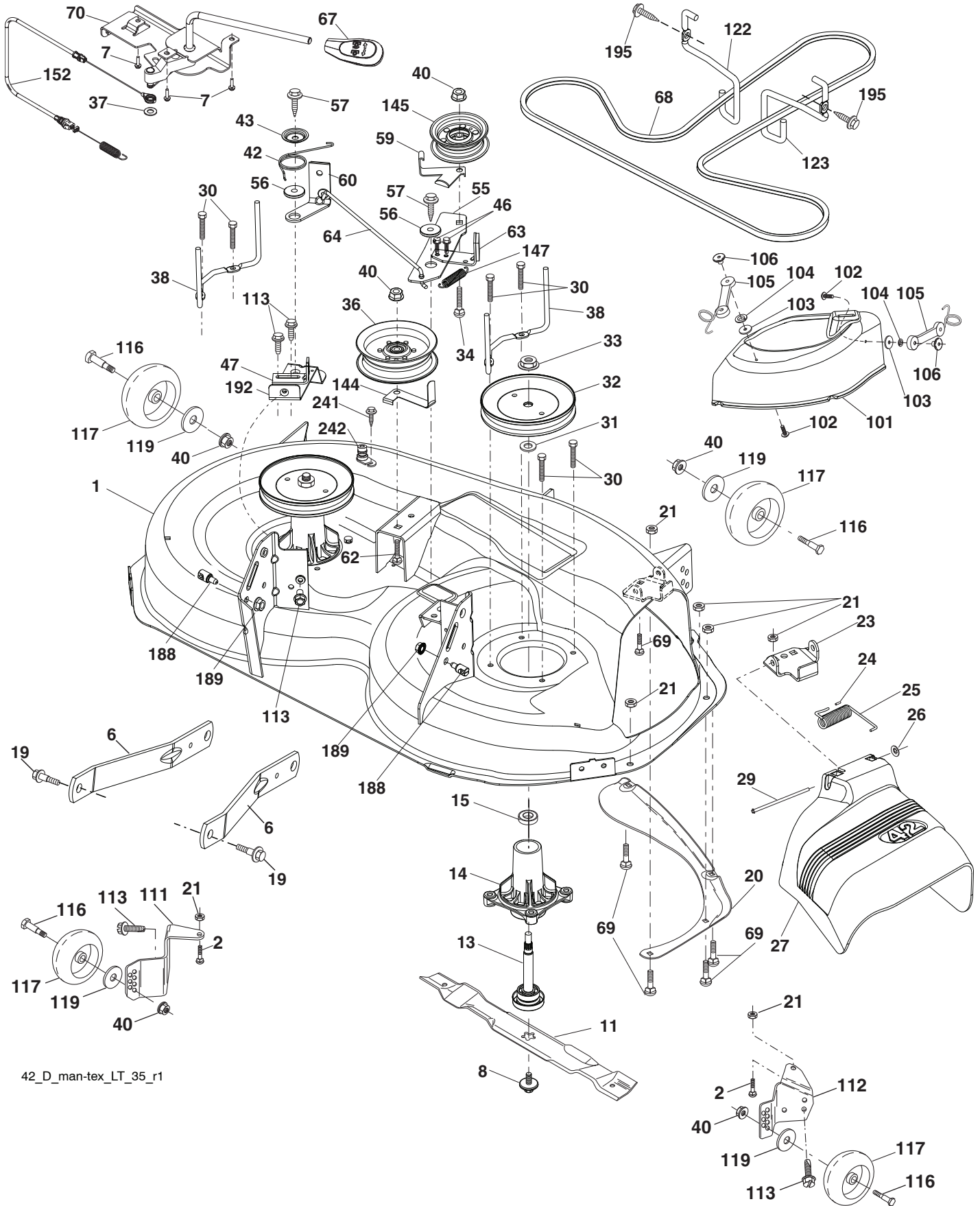
## SEAT ASSEMBLY

KEY PART NO.	PART NO.	DESCRIPTION
1	423645	Seat
2	180166	Bracket Pivot Fender
3	140675	Strap, Asm Fender
6	73800600	Nut, Lock W/Ins. 3/8-16 unc
7	124181X	Spring, Seat Cprsn
8	171877	Bolt 5/16-18 unc x 3/4 w/Sems
10	196977	Pan, Seat
21	171852	Bolt, Shoulder 5/16-18
37	73800500	Nut, Lock 5/16-18 unc
40	197661	Handle Slide Seat
41	198200	Spring Latch Seat
43	74760612	Bolt 3/8-16 x 3/4
44	19133812	Washer 13/32 x 2-3/8 x 12 Ga.

**NOTE:** All component dimensions given in U.S. inches  
1 inch = 25.4 mm

# TRACTOR - - MODEL NUMBER 944.603640

## MOWER DECK



42\_D\_man-tex\_LT\_35\_r1



# TRACTOR - - MODEL NUMBER 944.603640

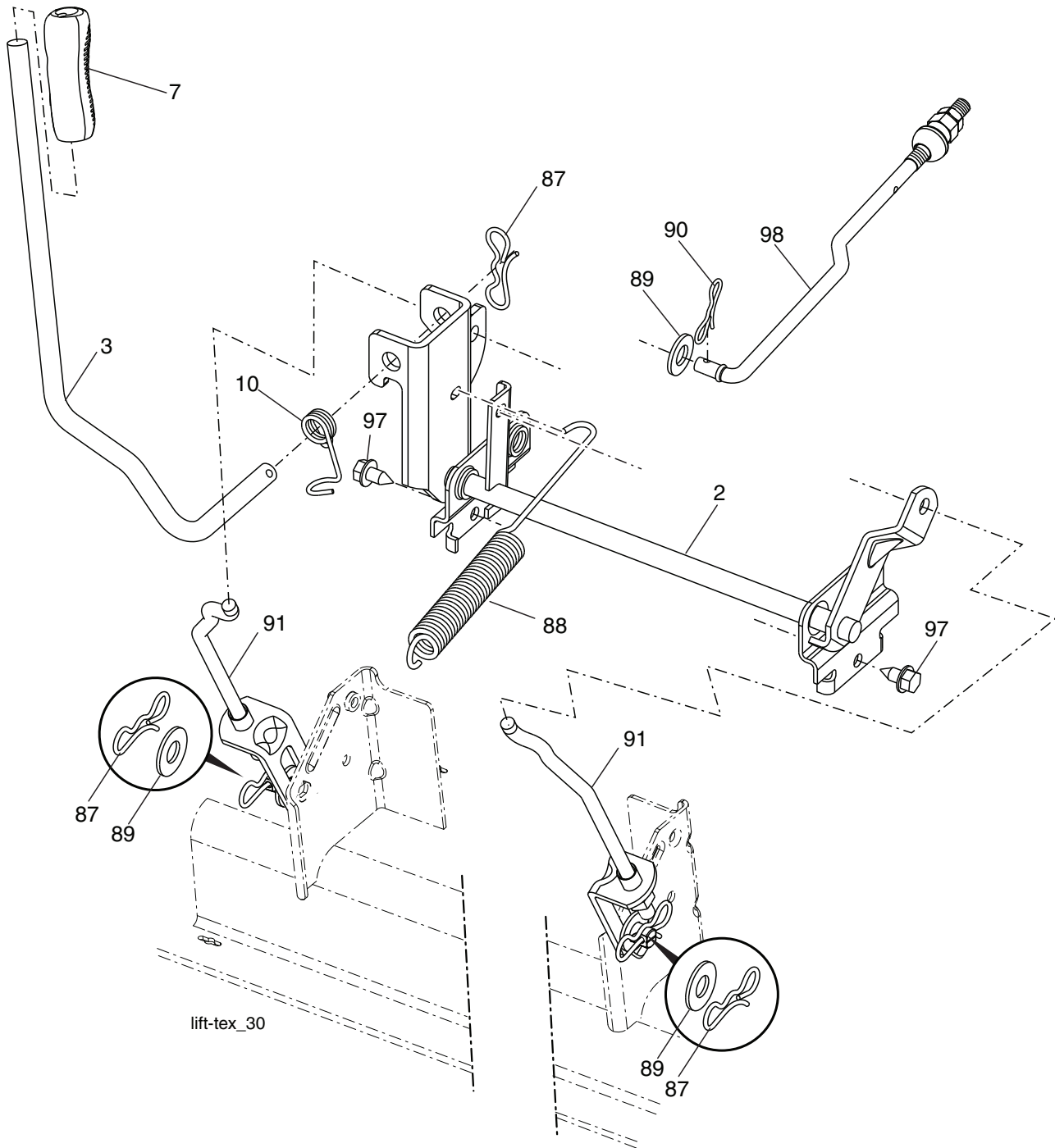
## MOWER DECK

KEY NO.	PART NO.	DESCRIPTION	KEY NO.	PART NO.	DESCRIPTION
1	196495X615	Mower Housing	64	199790	Linkage Brake
2	72140506	Bolt RDHD.SQNK. 5/16-18 unc x 3/4	67	198398X667	Handle, Clutch Cable
6	195186	Arm Suspension	68	429636	V-Belt
7	416358	Screw 10 x .750 BOS Thread	69	72140505	Bolt Rdhd Sqnk 5/16-18 x 5/8
8	193003	Bolt/Washer Asm 7/16-20 unf	70	199972	Clutch Asm. Manual
11	424752	Blade, 3N1 Premium (For bagging or discharge)	101	193107	Cover Mulching
13	192872	Shaft Assembly, Mandrel	102	71081010	Screw Pan HD Phillip 10-24 x 5/8
14	187281	Housing, Mandrel	103	19061216	Washer #10
15	110485X	Bearing, Ball, Mandrel	104	10071000	Washer Lock #10
19	196539	Bolt, Shoulder	105	160793	Latch Asm. Mulch
20	159770	Baffle, Vortex	106	2029J	Nut Weld .327/.304 #10-24
21	73680500	Nut, Crownlock 5/16-18 unc	111	404784	Bracket, Gauge Wheel LH
23	192557	Bracket, Deflector	112	404785	Bracket, Gauge Wheel RH
24	105304X	Cap, Sleeve	113	17000510	Screw 5/16-18
25	197026	Spring, Torsion, Deflector	116	4898H	Bolt, Shoulder
26	110452X	Nut, Push	117	188606	Wheel, Gauge
27	424469	Shield, Deflector	119	19121414	Washer 13/32 x 7/8 x 14 Ga.
29	131491	Rod, Hinge	122	197258	Keeper Belt Eng. LH
30	173984	Screw Thdrol Rolling Wsh Hd	123	197259	Keeper Belt Eng. RH
31	187690	Washer, Spacer	144	199204	Keeper Belt
32	197473	Pulley, Mandrel	145	193197	Pulley, Idler, Flat
33	400234	Nut, Toplock, Flanged	147	401971	Spring Return
34	72110612	Bolt Carr Sh. 3/8-16 x 1-1/2 Gr. 5	152	584243501	Cable Clutch Manual w/Spr.
36	197379	Pulley Idler	188	195161	Stud Fastener
37	19131316	Washer 13/32 x 13/16 x 16 Ga.	189	73900500	Nut Lock Hex Flange
38	432520	Keeper Belt LH Mandrel	192	197260	Bracket Brake Stand LH
40	73900600	Nut, Lock Flg. 3/8-16 unc	195	17000612	Screw Hexwsh Thdr 3/8-16 x 3/4
42	198410	Spring Torsion Brake	241	152927	Screw
43	197256	Spring Torsion Retainer	242	415598	Washout Port
46	137729	Screw Thd Roll 1/4-20 x 5/8	--	416405	Quick Connect Coupling
47	197250	Bracket Clutch Cable	--	437732	Replacement Mower, Complete
55	437110	Arm, Idler	--	192870	Mandrel Assembly (Includes housing (key #14), shaft assembly (key #13), and bearing (key #15) only - pulley/ nut/washer and blade bolt/washers not included)
56	199092	Spacer, Retainer			
57	17000616	Screw Hexwsh Thd 3/8-16 x 1			
59	141043	Guard, Tuv Idler (94)			
60	197261	Arm Brake Mower			
62	72110616	Bolt Rdhd Sqnk 3/8-16 unc x 2			
63	199477	Arm Brake Mower			

**NOTE:** All component dimensions given in U.S. inches  
1 inch = 25.4 mm

# TRACTOR - - MODEL NUMBER 944.603640

## MOWER LIFT



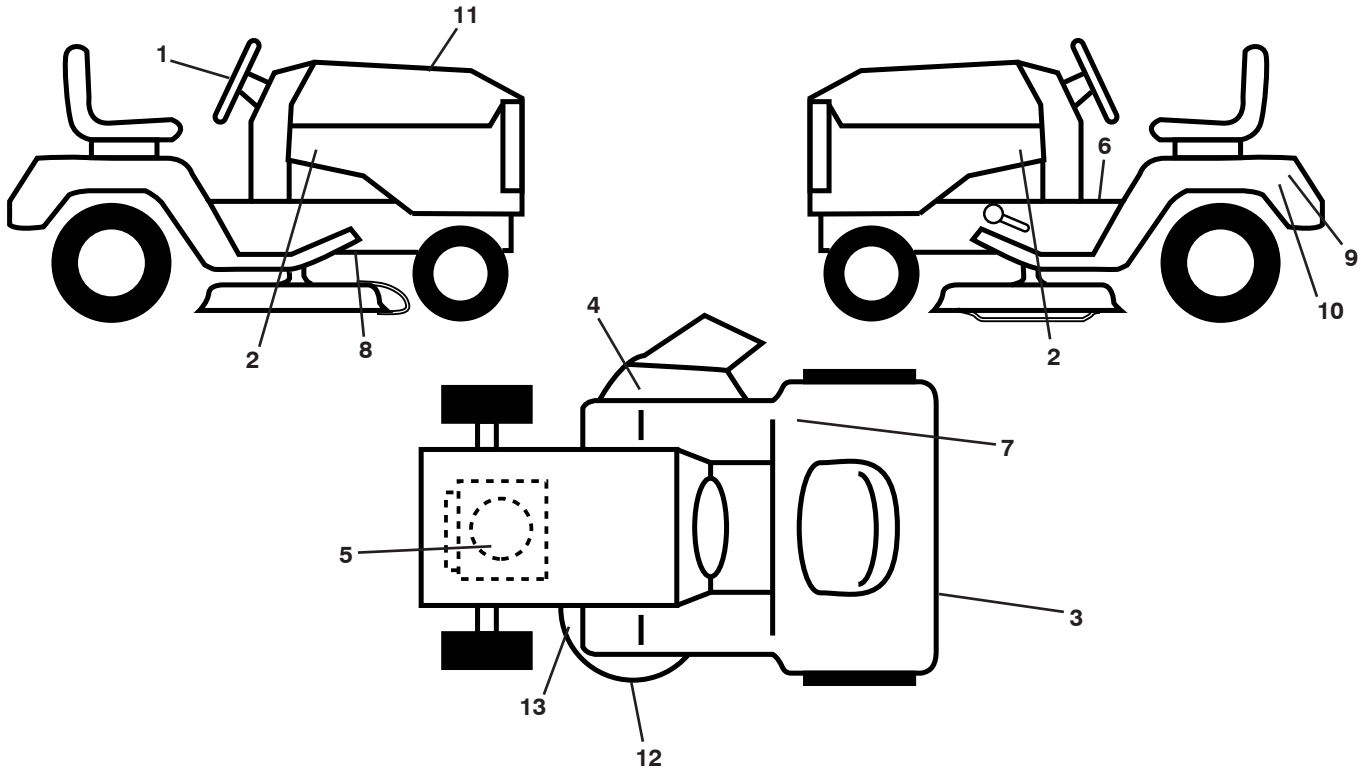
KEY NO.	PART NO.	DESCRIPTION
2	422027	Shaft Asm., Cross Lift
3	426986	Lever Asm., Lift RH
7	445060X428	Grip, Lever
10	196314	Spring Torsion
87	194209	Pin Cotter 7/16 Bow Tie Lock
88	410710	Spring Lift Assist
89	19191912	Washer Clear Zinc
90	194208	Pin Cotter 5/16 Bow Tie Lock

KEY NO.	PART NO.	DESCRIPTION
91	197984	Link Lift Susp Mower Rear
97	17000612	Screw 3/8-16 x .75 Smgml Tap/R.Z
98	420525	Link Lift Susp. Front Mower

**NOTE:** All component dimensions given in U.S. inches  
1 inch = 25.4 mm

# TRACTOR - - MODEL NUMBER 944.603640

## DECALS



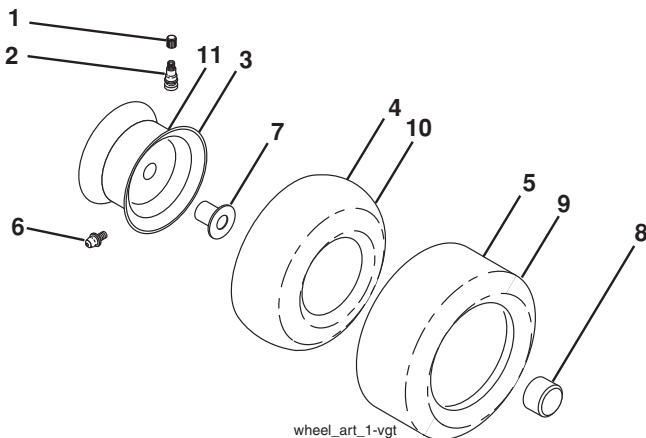
### KEY PART NO. NO.

KEY PART NO.	NO.	DESCRIPTION
1	439525	Decal, Steering
2	443183	Decal, Hood
3	441121	Decal, Fender
4	581579501	Decal, Mower
5	426028	Decal, Engine HP
6	581579001	Decal, Fender Warning
7	581579901	Decal, Warning spark
8	421534	Decal, V-Belt Schematic Drive
9	149517	Decal, Battery Warning

### KEY PART NO. NO.

KEY PART NO.	NO.	DESCRIPTION
10	448709	Decal, Battery
11	580385701	Decal, Replacement
12	426593	Decal, Mower Precision
13	581580001	Decal, Mower V-Belt SCH.
--	193226X428	Pad, Footrest LH
--	193227X428	Pad, Footrest RH
--	581724801	Decal, Bypass
--	584477032	Manual, Operator's (English/French)
--	584477127	Manual, Parts (English/French)

## WHEELS AND TIRES



### KEY PART NO. NO.

KEY PART NO.	NO.	DESCRIPTION
1	59192	Cap, Valve, Tire
2	65139	Stem, Valve
3	106732X613	Rim Assembly, Front
4	59904	Tube, Front
5	106222X	Tire, Front 15 x 6.0-6
6	278H	Fitting, Grease
7	9040H	Bearing, Flange
8	104757X428	Cap, Axle (Front Wheel Only)
9	138468	Tire, Rear 20 x 8-8
10	7152J	Tube, Rear
11	106108X613	Rim Assembly, Rear
--	144334	Sealant, Tire (10 oz. Tube)

**NOTE:** All component dimensions given in U.S. inches  
1 inch = 25.4 mm

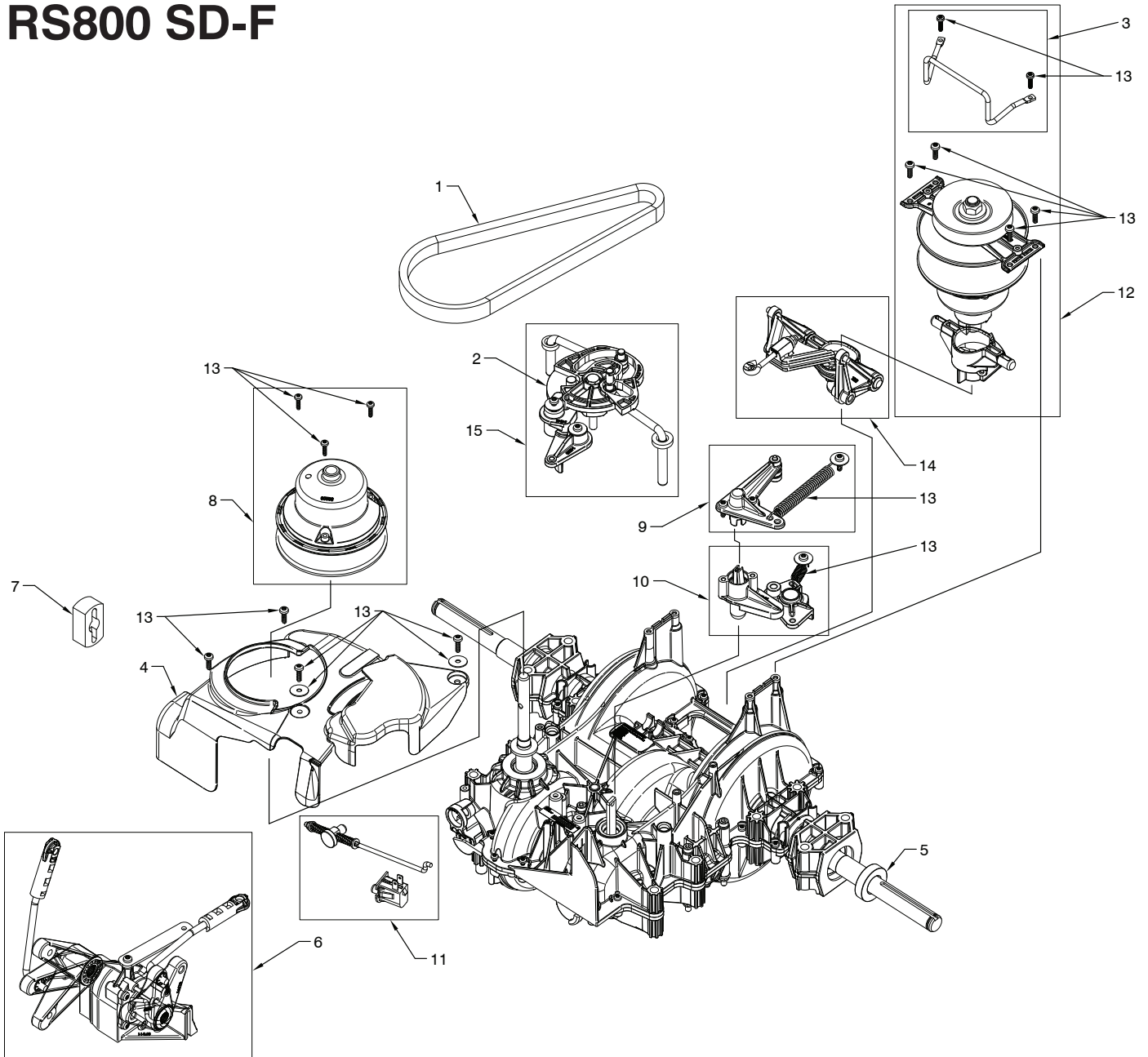
---

# SERVICE NOTES

---

**TRACTOR - - MODEL NUMBER 944.603640  
GENTRANS TRANSAXLE - MODEL NUMBER (RS800 SD-F) 580486301**

# RS800 SD-F



KEY NO.	PART NO.	DESCRIPTION
1	587086101	Variation Belt
2	587086301	Control Cam RS800 F
3	588508301	Belt Keeper Kit
4	588732301	Cover RS800 F
5	587086401	Output Seals Kit RS800
6	587290901	Friction Pack
7	587086501	Driven Tool
8	587086701	Driven Kit RS800
9	587291301	Brake Kit
10	587291401	Bypass Kit

KEY NO.	PART NO.	DESCRIPTION
11	587291402	Inversion Kit
12	587086703	Driver Kit
13	587086901	Hardware Kit RS800
14	587291403	Variation Kit
15	587086902	Controls Kit RS800 F

**NOTE:** All component dimensions given in U.S. inches  
1 inch = 25.4 mm

# TRACTOR - - MODEL NUMBER 944.603640

## BRIGGS ENGINE - MODEL NUMBER 331977, TYPE NUMBER 0003-G5

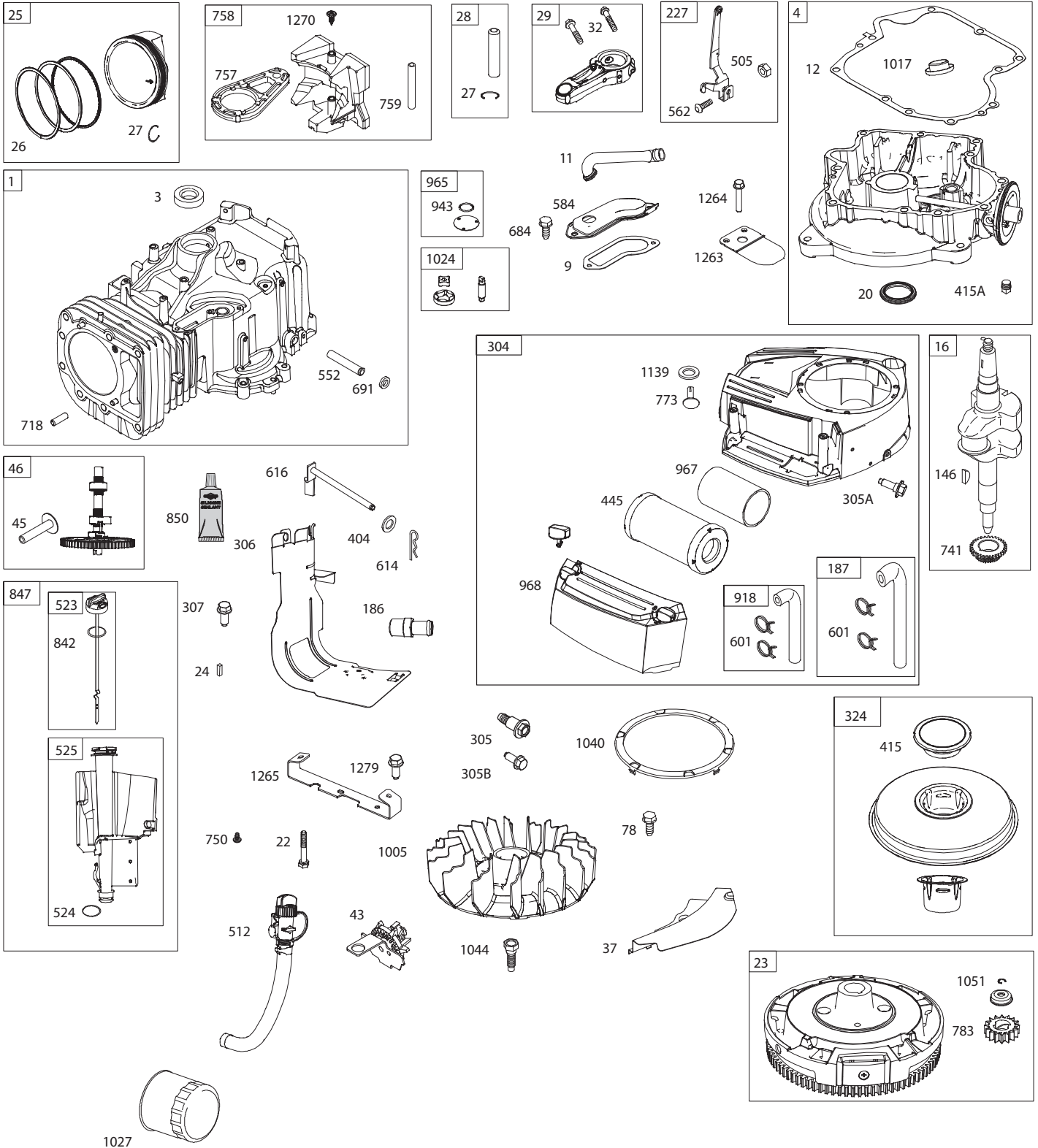
48 SHORT BLOCK

1058 OPERATOR'S MANUAL

1329 REPLACEMENT ENGINE

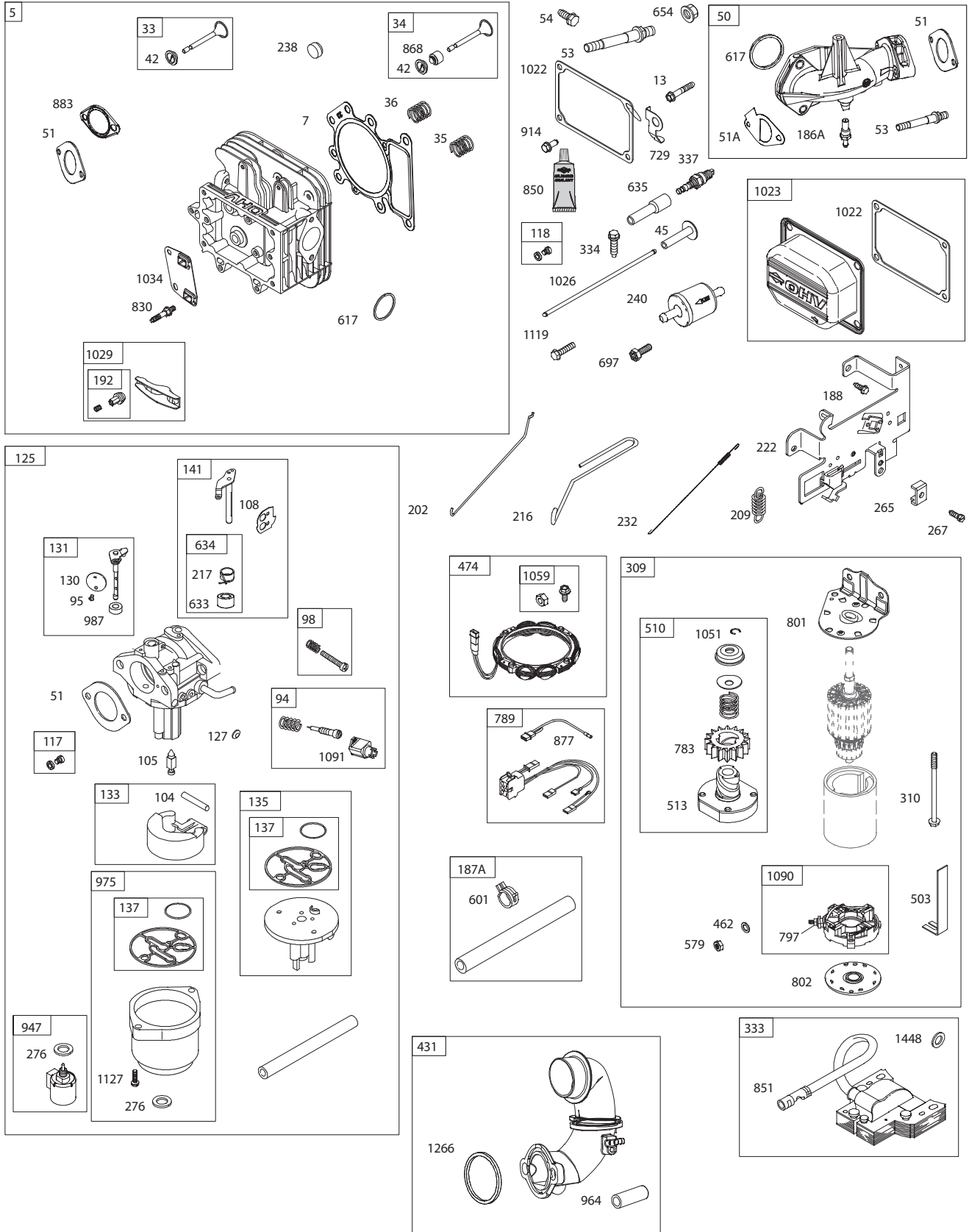
1330 REPAIR MANUAL

1036 EMISSIONS LABEL



# TRACTOR - - MODEL NUMBER 944.603640

## BRIGGS ENGINE - MODEL NUMBER 331977, TYPE NUMBER 0003-G5



**TRACTOR - - MODEL NUMBER 944.603640**  
**BRIGGS ENGINE - MODEL NUMBER 331977, TYPE NUMBER 0003-G5**

KEY NO.	PART NO.	DESCRIPTION	KEY NO.	PART NO.	DESCRIPTION
1	591465	Cylinder Assembly	131	792765	Kit-Throttle Shaft
3	391086s	Seal-Oil (Magneto Side)	133	694914	Float-Carburetor
4	697188	Sump-Engine	135	698780	Tube-Fuel Transfer
5	591750	Head-Cylinder	137	698781	Gasket-Float Bowl
7	794114	Gasket-Cylinder Head	141	792777	Kit-Choke Shaft
9	697109	Gasket-Breather	146	691639	Key-Timing
11	794683	Tube-Breather	186	796532	Hose-Connector (Oil Drain Hose)
12	697110	Gasket-Crankcase	186A	794873	Hose-Connector (Intake Manifold)
13	592244	Screw (Cylinder Head)	187	791805	Line-Fuel (Formed) (Cut to Required Length)
16	591763	Crankshaft			
20	795387	Seal-Oil (PTO Side)	187A	791766	Line-Fuel (Cut to Required Length)
22	692125	Screw (Crankcase Cover/Sump)			
23	591759	Flywheel	188	691693	Screw (Control Bracket)
24	591757	Key-Flywheel (Steel)	192	691986	Adjuster-Rocker Arm
25	795858	Piston Assembly (Standard)	202	691841	Link-Mechanical Governor
	795877	Piston Assembly (020" Oversize)	209	796260	Spring-Governor (Green)
26	794126	Ring Set (Standard)	216	691840	Link-Choke
	794127	Ring Set (.020" Oversize)	217	695409	Spring-Choke Return
27	698469	Lock-Piston Pin	222	694042	Bracket-Control
28	795861	Pin-Piston	227	691374	Lever-Governor Control
29	794571	Rod-Connecting	232	691842	Spring-Governor Link
32	791118	Screw (Connecting Rod)	238	691843	Cap-Valve
33	591752	Valve-Exhaust	240	691035	Filter-Fuel
34	591751	Valve-Intake	265	691024	Clamp-Casing
35	691279	Spring-Valve (Intake)	267	794904	Screw (Casing Clamp)
36	691279	Spring-Valve (Exhaust)	276	695410	Washer-Sealing
37	699882	Guard-Flywheel	304	591644	Housing-Blower
42	499586	Keeper-Valve	305	697102	Screw (Blower Housing) (1/4-20x1.14)
43	691968	Slinger-Governor/Oil	305A	793370	Screw (Blower Housing) (1/4-20x.90)
45	690564	Tappet-Valve			
46	793880	Camshaft	305B	795891	Screw (Blower Housing) (Blower Housing to Elbow) (#10-16x.43)
48	N/A	Short Block (Not Available At This Printing)	306	794953	Shield-Cylinder
50	591248	Manifold-Intake	307	691693	Screw (Cylinder Shield)
51	692137	Gasket-Intake	309	693551	Motor-Starter
51A	794312	Gasket-Intake	310	690323	Screw (Starter Motor)
53	591260	Stud (Carburetor)	324	796309	Screen/Cup Assembly
54	691148	Screw (Intake Manifold)	333	799650	Armature-Magneto
78	691693	Screw (Flywheel Guard)	334	691061	Screw (Magneto Armature)
94	793610	Kit-Idle Mixture	337	793541	Plug-Spark
95	690718	Screw (Throttle Valve)	358	796187	Gasket Set-Engine
98	695408	Kit-Idle Speed	404	691691	Washer (Governor Crank)
104	694918	Pin-Float Hinge	415	794129	Plug (Cover/Retainer)
105	696136	Valve-Float Needle	415A	794903	Plug
108	695419	Valve-Choke	431	799043	Elbow-Intake
117	796251	Jet-Main (Standard)	445	793569	Filter-Air Cleaner Cartridge
118	791406	Jet-Main (High Altitude)	462	691261	Washer (Starter Cable)
121	796184	Kit-Carburetor Overhaul	474	696459	Alternator
125	591736	Carburetor	503	691532	Strap-Starter
127	690727	Plug-Welch	505	691251	Nut (Governor Control Lever)
130	792747	Valve-Throttle	510	693699	Drive-Starter



**TRACTOR - - MODEL NUMBER 944.603640**  
**BRIGGS ENGINE - MODEL NUMBER 331977, TYPE NUMBER 0003-G5**

KEY NO.	PART NO.	DESCRIPTION	KEY NO.	PART NO.	DESCRIPTION
512	796530	Hose-Oil Drain	968	795757	Cover-Air Cleaner
513	692024	Clutch-Drive	975	699502	Bowl-Fuel
523	699908	Dipstick	987	698777	Seal-Throttle Shaft
524	691032	Seal-Dipstick Tube	1005	796084	Fan-Flywheel
525	697184	Tube-Dipstick	1017	796981	Screen-Oil Pump
552	697144	Bushing-Governor Crank	1022	272475s	Gasket-Rocker Cover
562	691119	Screw (Governor Control Lever)	1023	797421	Cover-Rocker
579	691029	Nut (Starter Cable)	1024	794644	Pump-Oil
584	794682	Cover-Breather Passage	1026	692003	Rod-Push (Intake) (Aluminum)
601	791850	Hose-Clamp (Green)		692011	Rod-Push (Exhaust) (Steel)
614	691620	Pin-Cotter (Governor Crank)	1027	795890	Filter-Oil
616	692012	Crank-Governor	1029	691751	Arm-Rocker
617	692138	Seal-O Ring (Intake Manifold) (Red)	1034	690822	Guide-Push Rod
633	699813	Seal-Choke/Throttle (Choke Shaft)	1036		Label-Emissions (Available from a Briggs & Stratton Authorized Dealer)
634	698779	Spring/Seal Assembly	1040	698368	Plate-Trim
635	691909	Boot-Spark Plug	1044	698139	Screw (Flywheel)
654	690958	Nut (Carburetor)	1051	691265	Ring-Retaining
684	697157	Screw (Breather Passage Cover)	1058	276344	Operator's Manual
691	692407	Seal-Governor Shaft	1059	698516	Kit-Screw/Washer (Alternator)
697	791680	Screw (Drive Cap)	1090	691293	Retainer-Brush
718	690959	Pin-Locating	1091	691333	Cap-Limiter
729	691224	Clip-Wire	1095	794152	Gasket Set-Valve
741	697128	Gear-Timing	1119	691183	Screw (Alternator)
750	790832	Screw (Oil Pump Cover)	1127	695407	Screw (Float Bowl)
757	793242	Link-Counterweight	1139	796449	Washer (Fuel Pump)
758	793763	Counterweight	1263	697124	Reed-Breather
759	697392	Pin-Counterweight	1264	697104	Screw (Breather Reed)
773	796448	Retainer (Fuel Pump)	1265	794151	Support-Blower Housing
783	693713	Gear-Pinion	1266	691917	Seal-O Ring (Intake Elbow) (Red)
789	698329	Harness-Wiring	1270	793243	Plug-AVS Counterweight
797	693167	Nut (Brush Retainer)	1279	691108	Screw (Blower Housing Support) (1/4-20x.62)
801	691283	Cap-Drive			Replacement Engine (Not Available At This Printing)
802	691286	Cap-End	1329	N/A	Repair Manual
830	691095	Stud-Rocker Arm	1330	276781	Washer (Rotating Screen)
842	691031	Seal-O Ring (Dipstick)	1332	591991	Washer (Magneto Armature)
847	790442	Dipstick/Tube Assembly	1448	690260	
850	100106	Sealant-Liquid			
851	692424	Terminal-Spark Plug			
868	690968	Seal-Valve			
877	790544	Wire/Connector-Alternator			
883	692236	Gasket-Exhaust			
914	691108	Screw (Rocker Cover) (1/4-20x.62)			
918	791744	Hose-Vacuum (Cut to Required Length)			
943	690589	Seal-O Ring (Oil Pump Cover)			
947	699915	Solenoid-Fuel			
964	799159	Cap-Connector			
965	499613	Cover-Oil Pump			
967	793685	Filter-Pre Cleaner			

Carburetor Overhaul Kit            Key No. 121  
Engine Gasket Set                    Key No. 358  
Valve Gasket Set                      Key No. 1095

**NOTE:** All component dimensions given in U.S. inches  
1 inch = 25.4 mm

# Get it fixed, at your home or ours!

Just Call:

**1-800-4-MY-HOME<sup>®</sup>**

(1-800-469-4663)

24 hours a day, 7 days a week

For the repair of major brand appliances **in your own home...**  
no matter who made it, no matter who sold it!

For your nearest **Sears Parts and Service** location,  
to bring in products like vacuums, lawn equipment and electronics.

For **Sears Parts & Service**, to order the replacement parts,  
accessories and owner's manuals that you need to do-it-yourself.

[www.sears.ca](http://www.sears.ca)

---

To purchase or inquire about a Sears Maintenance Agreement, call:

**1-800-361-6665**

9 a.m. – 11 p.m. Mon. – Fri., EST, 9 a.m. – 4 p.m. Sat.

---

Pour service en français:

**1-800-LE-FOYER<sup>MC</sup>**

(1-800-533-6937)

[www.sears.ca](http://www.sears.ca)



® / <sup>TM</sup> Trademarks of Sears Brands Management Corporation used under license by Sears Canada

<sup>MD</sup> Marque déposée / <sup>MC</sup> Marque de commerce de Sears Brands Management Corporation utilisée en vertu d'une licence de Sears Canada

# Faites-le réparer, à domicile ou à l'atelier!

Téléphonez au:  
**1-800-LE-FOYER**<sup>MC</sup>  
(1-800-533-6937)  
24 heures par jour, 7 jours par semaine

Pour la réparation des appareils électroménagers de grandes marques  
**à votre domicile** ... peu importe le fabricant ou le détaillant!

Pour connaître l'emplacement du **Service des pièces et de l'entretien**  
**Sears** le plus proche afin d'apporter à l'atelier des produits tels que  
des aspirateurs, tondeuses à gazon ou appareils électroniques.

Pour connaître le no. de téléphone du **Service des pièces et de l'entretien**  
**Sears** afin de commander les pièces de rechange, accessoires et  
manuels d'instructions requis pour effectuer vous-même les réparations.

**www.sears.ca**

Pour acheter ou demander des renseignements  
sur un contrat d'entretien Sears, téléphonez au:  
**1-800-361-6665**

de 9 h à 23 h du lundi au vendredi (HNE), de 9 h à 16 h le samedi!

For service in English:  
**1-800-4-MY-HOME**<sup>®</sup>  
(1-800-469-4663)  
**www.sears.ca**



# TRACTEUR - - NUMÉRO DE MODÈLE 944.603640 MOTEUR "BRIGGS & STRATTON" - NO. DE MODÈLE 331977, NO. DE TYPE 0003-G5

NO.	DE	PIÈCE	DESCRIPTION	NO.	DE	PIÈCE	DESCRIPTION
513		692024	Embrayage-Conduisez	975		699502	Cuve de Carburateur
523		699908	Jauge de Remplissage d'huile	987		698777	Axe de Joint-Commande de puis-
524		691032	Joint d'étanchéité, Tube de Remplis-				sance
525		697184	Tube de Remplissage d'huile	1005		796084	Ventilateur de Volant du Moteur
526		697144	Douille, Manivelle du Régulateur	1017		796981	Ecran de pompe d'huile
562		691119	Vis de Levier de Régulateur	1023		797421	Garniture, Couverture de Balancier
579		691029	EcroU (Câble de démarrage)	1024		794644	Pompe d'huile
584		794682	Passage de Couvrir-Renflard	1026		692003	Tige à Frein
601		791850	Bride de Serrage de Tuyau (Green)	692011		692011	Tige à Frein
614		691620	Pin (Manivelle du Gouverneur)	795890		795890	Filtre à huile
616		692012	Manivelle du Régulateur	1029		691751	Bras de Balancier
617		692138	Anneau de Joint-o (tubulure de prise)	1034		690822	Guide-Poussez Rod
633		699813	Siège de Arbre de Starter/ Papiilon	1040		698368	Plat d'équilibre
634		698779	Assemblée de ressort/joint	1044		698139	Vis (Volant Magnéto)
635		691909	Coude de Bougie d'allumage	1051		691265	Circlip
654		690958	EcroU (Carburetor)	1058		276344	Le manuel de l'opérateur
684		697157	Vis, (Couverture de passage de reni-	1059		698516	Jeu-Vis/Rondelle (Alternateur)
691		692407	Joint d'axe du Gouverneur	1090		691293	Arrêteur de brosse
697		791680	Vis, Moteur de Rebobinage	1091		691333	Chapeau de limiteur
718		690959	Goupille de Emplacement	1095		794152	Fixée, Garnitures du Soupape
729		691224	Agrafe-Fil	1119		691183	Vis, Alternateur
741		697128	Vitesse de Distribution	1127		695407	Vis, Cuve de Flotteur
750		790832	Vis, (Pompe de Couvrir-Huile)	1139		796449	Rondelle (Pompe à essence)
757		793242	Lien-Contre poids	1263		697124	Roseau de renflard
758		793763	Contre poids	1264		697104	Vis, Roseau de renflard
759		697392	Pin-Contre poids	1265		794151	Appui de logement de ventilateur
773		796448	Arrêteur	1266		691917	Joint de joint circulaire (Coude
783		693713	Vitesse-Fignon	1270		793243	Contre poids de Prise-AVS
789		698329	Harnais-Câblage	1279		691108	Vis (1/4-20x.62)
797		693167	EcroU (Arrêteur de brosse)	1329		N/A	Remplacement Engine (Not Available At
801		691283	Chapeau-Conduisez	1330		276781	Réparez le manuel
802		691286	Monture	1332		591991	Rondelle
830		691095	Bras de Goujon-Culbuteur	1448		690260	Rondelle
842		691031	Joint Torique, d'étanchéité				
847		790442	Ensemble des Tube et jauge de Rem-				
850		100106	plissage d'huile				
851		692424	Borne, Bougie d'allumage				
868		690968	Joint d'étanchéité, Soupape				
877		790544	Fil/Connecteur-Alternateur				
883		692236	Garniture d'échappement				
914		691108	Vis, Couverture de Balancier				
943		690589	Anneau de Joint-o (couverture de				
947		699915	solénoïde-Carburant				
964		799159	Chapeau-Connecteur				
965		499613	Pompe de Couvrir-Huile				
967		793685	Décapant de Filtre-Pré				
968		795757	Décapant de Couvrir-Air				

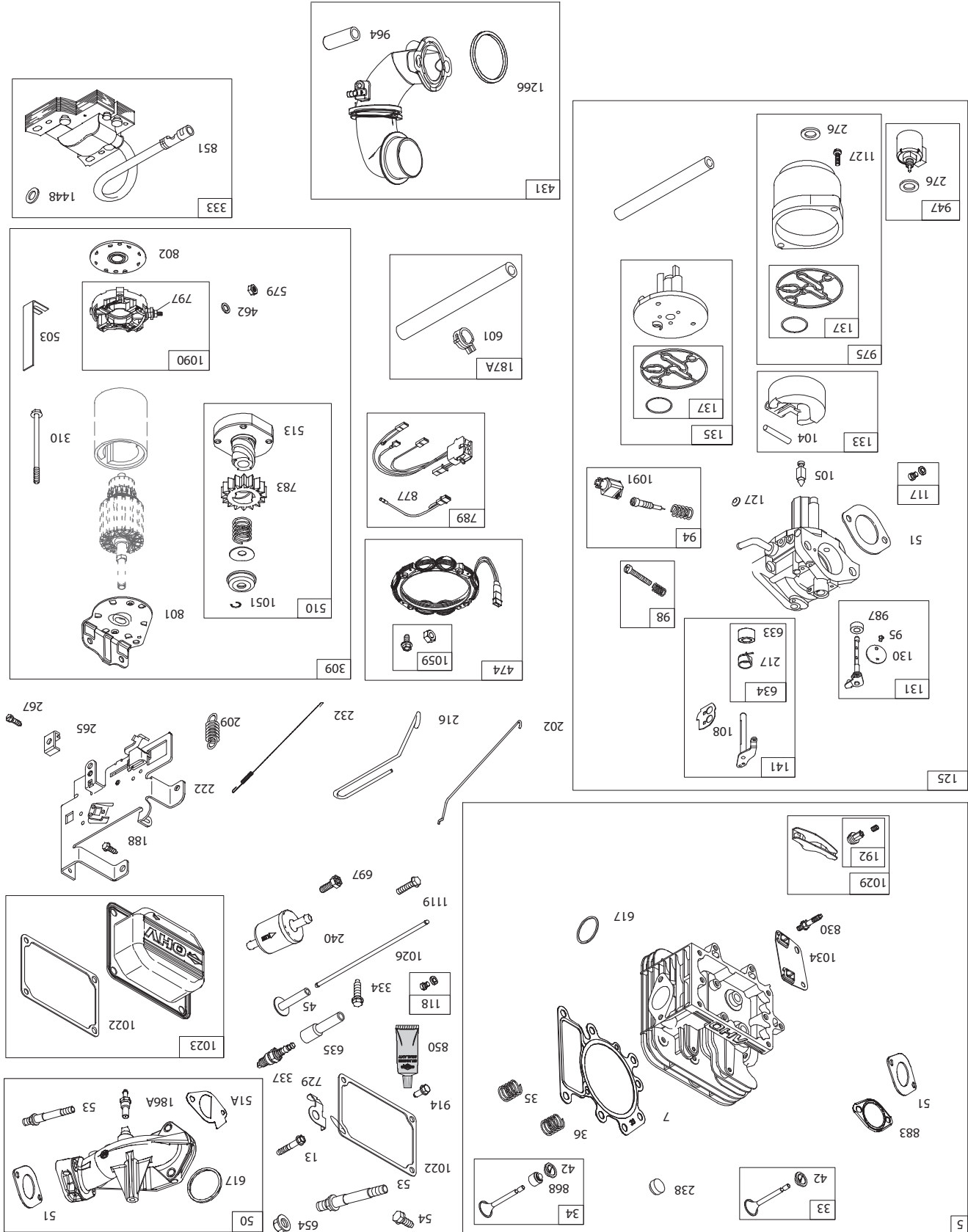
**REMARQUE:** Toutes les dimensions de composant sont données en pouces E.-U. -- 1 pouce = 25,4 mm

Ensemble de garniture de moteur No. De Réf. 358  
 Ensemble de garniture de valve No. De Réf. 1095  
 Kit de révision de carburateur No. De Réf. 121

**TRACTEUR - - NUMÉRO DE MODÈLE 944.603640**  
**MOTEUR "BRIGGS & STRATTON" - NO. DE MODÈLE 331977, NO. DE TYPE 0003-G5**

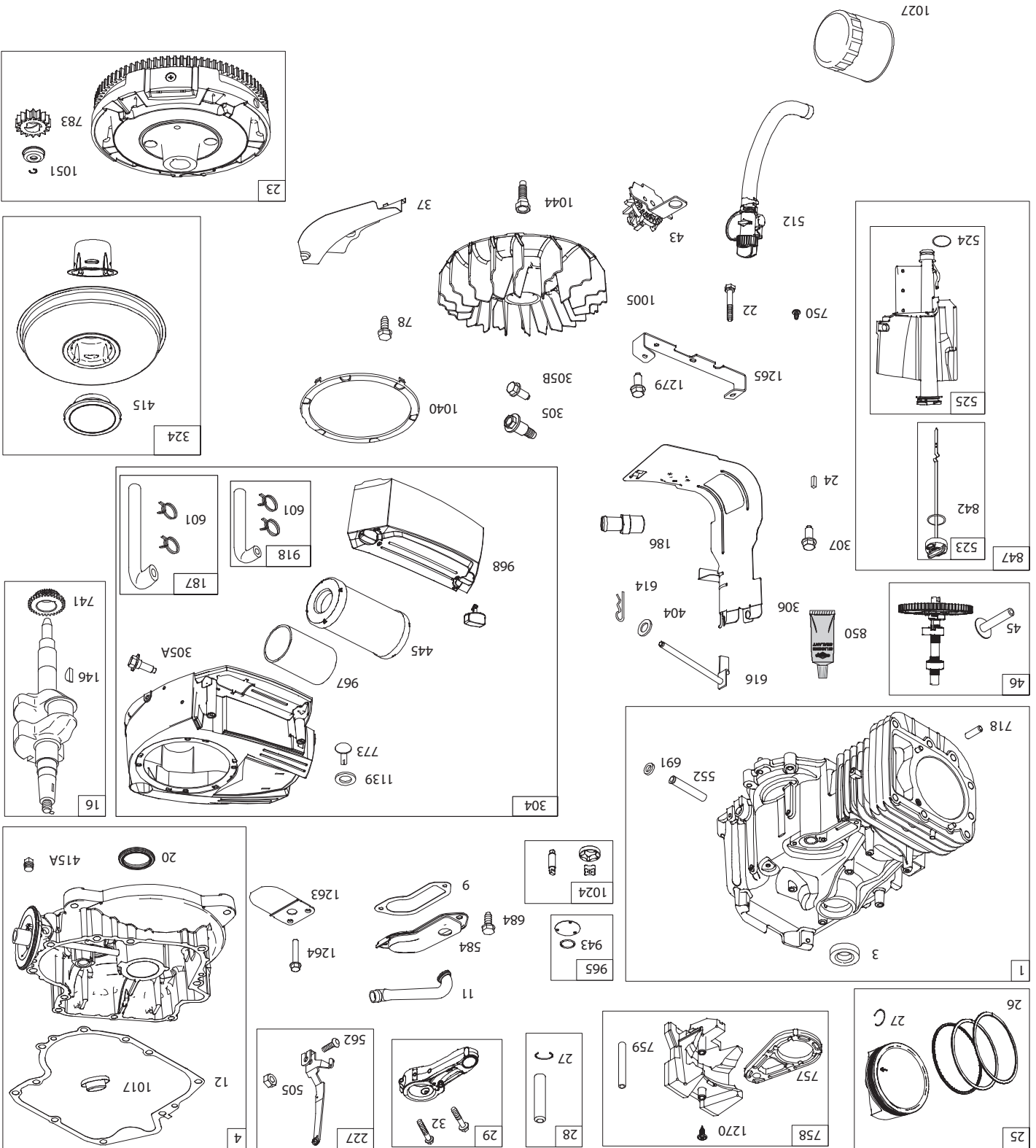
NO.	DE	PIÈCE	DESCRIPTION	NO.	DE	PIÈCE	DESCRIPTION
1		591465	Ensemble du Cylindre	131		792765	Jeu-Axe de commande de puissance
3		391086S	Bague d'étanchéité (Côté Magneto)	133		694914	Ens. de Flotteur de Carburateur
4		697188	Carter de vidange-Moteur	135		698780	Tube d'essence
5		591750	Tête de Cylindre	137		698781	Garniture du Flotteur
7		794114	Garniture de la Tête de Cylindre	141		792777	Jeu-Obstruez l'axe
9		697109	Garniture de reniflard	146		691639	Cîe de la Distribution
11		794683	Tube de Reniflard	186		796532	Tuyau-Connecteur (Drain de Tuyau-Huile)
12		697110	Garniture du Carter-moteur				
13		592244	Vis de Tête de Cylindre	186A		794873	Tuyau-Connecteur (Coude de prise)
16		591763	Vilbrequin	187		791805	Tuyau, Essence
20		795387	Bague d'étanchéité (Côté PTO)	187A		791766	Tuyau, Essence
22		692125	Vis de Montage de Bac à Sems	188		691693	Vis, Support de Control
23		591759	Volant Magnéto	192		691986	Balancier de Réglage
24		591757	Cîe de Volant	202		691841	Gouverneur Lien-Mécanique
25		795858	Piston Assembly (Standard)	209		796260	Ressort, Régulateur (Green)
		795877	Piston Assembly (020" Oversize)	216		691840	Lien-Obstruez
26		794126	Ensemble du Piston, Standard	222		694042	Support du Carburateur
27		794127	Ensemble du Piston, 0,020" OS	227		691374	Ensemble du Levier de Régulateur
28		795861	Axe de Piston	232		691842	Lien de Ressort-Gouverneur
29		794571	Ensemble de la Bielle	240		691035	Filter-Carburant
32		791118	Vis de Bielle	265		691024	Bride d'enveloppe
33		591752	Soupape d'échappement	267		794904	Vis (Bride d'enveloppe)
34		591751	Soupape d'admission	276		695410	Rondelle-Cachetage
35		691279	Ressort de Soupape d'admission	304		591644	Boîtier de Soupfferie
36		691279	Ressort de Soupape	305		697102	Vis H, Boîtier de Soupfferie (1/4-20x.68)
37		699882	Protecteur de Volant Magnéto	305A		793376	Vis H, Boîtier de Soupfferie (1/4-20x1.14)
42		499586	Guide à Soupape	305B		795891	Vis H, Boîtier de Soupfferie
43		691968	Ecarter-Gouverneur/pétrole				
45		690564	Poussoir à Soupape				
46		793880	Engrenage de Came	306		794953	Protecteur de Cylindre
48		N/A	Bloc court	307		691693	Vis, Protecteur de Cylindre
50		591248	Coude de prise	309		693551	Démarrreur de Rebobinage
51		692137	Garniture de Coude d'admission	310		690323	Vis, Moteur de Rebobinage
51A		794312	Garniture de Coude d'admission	324		796309	Assemblée d'écran/fasse
53		591260	Stud (Carburetor)	333		799650	Armature de Magnéto
54		691148	Vis (Coude de prise)	334		691061	Vis de Armature de Magnéto
78		691693	Vis (Garde de volant)	337		793541	Bougie d'allumage
94		793610	Kit-Mélange à vide	358		796187	Jeu de la Garniture de Moteur
95		690718	Vis à Sems de Montage de Soupape	404		691691	Rondelle de Levier de Régulateur
98		695408	Jeu de Vitesses à Vide	415		794129	Prise (ouverture/arrêt)
104		694918	Axe de Charnière de Flotteur	415A		794903	Prise (Coude de prise)
105		696136	Soupape de Aiguille	431		799043	Coude de prise
108		695419	Soupape à Starter	445		793569	Cartouche de décapant de Filtre-Air
117		796251	Giclette, Standard	462		691261	Rondelle (Câble de démarrage)
118		791406	Giclette, Altitude Haute	474		696459	Alternateur
121		796184	Jeu de Carburateur	503		691532	Courroie-Démarrreur
125		591736	Carburateur	505		691251	Ecroû de Levier de Régulateur
127		690727	Rondelle Obturatrice	510		693699	Conduire-Démarrreur
130		792747	Soupape de Commande des Gaz	512		796530	Drain de Tuyau-Huile

**TRACTEUR - - NUMÉRO DE MODÈLE 944.603640 - NO. DE MODÈLE 331977, NO. DE TYPE 0003-G5**



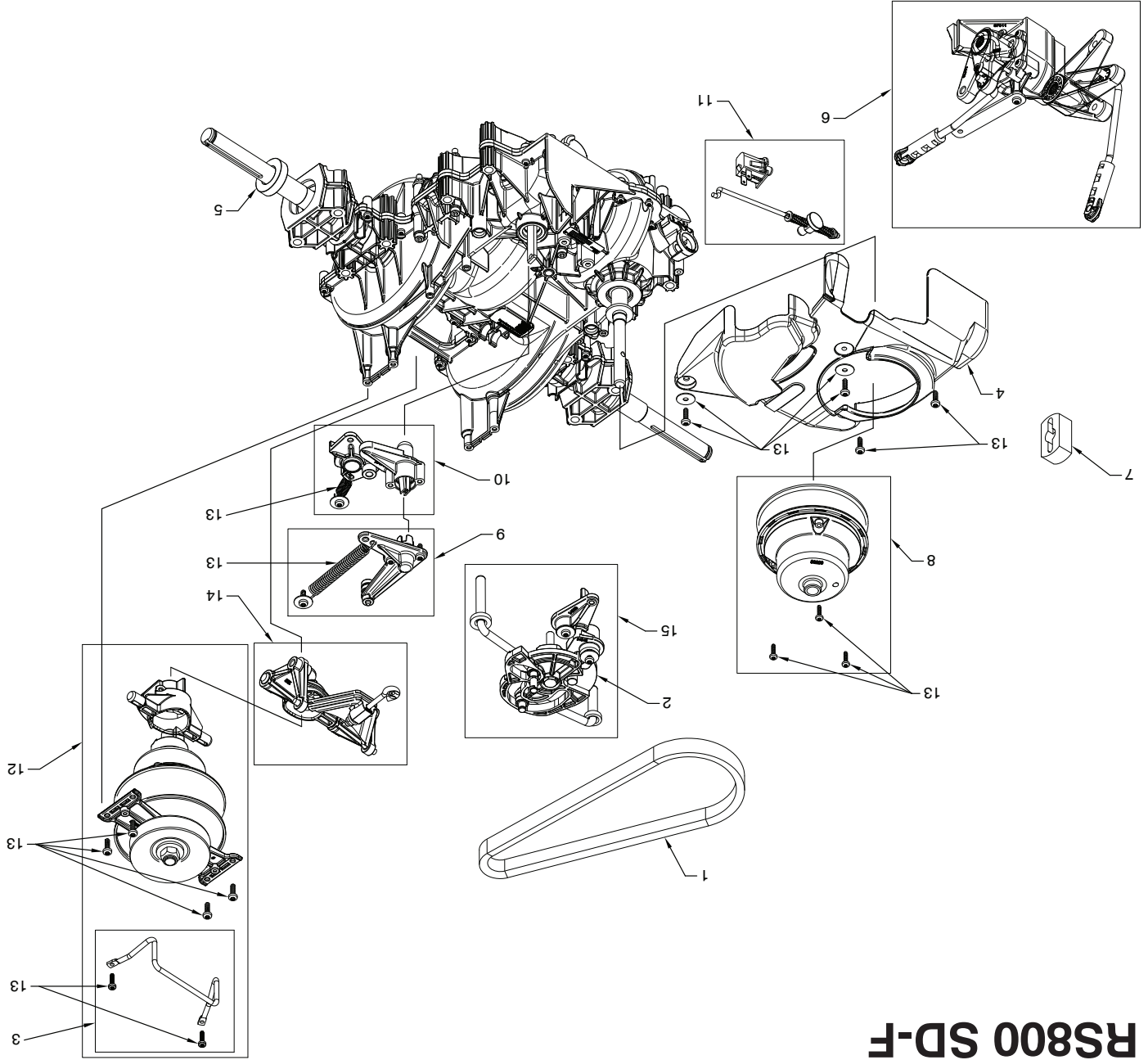
**TRACTEUR - - NUMÉRO DE MODÈLE 944.603640**  
**MOTEUR "BRIGGS & STRATTON" - NO. DE MODÈLE 331977, NO. DE TYPE 0003-G5**

48 Bloc court 1058 Manuel d'Opérateur 1329 Moteur de remplacement 1330 Réparer le Manuel 1036 Jeu d'étiquette



# RS800 SD-F

TRACTEUR - - NUMÉRO DE MODÈLE 944.603640  
 GENTRANS TRANSMISSION NUMÉRO DE MODÈLE (RS800 SD-F) 580486301



NO.	DE	PIÈCE	DESCRIPTION	NO.	DE	PIÈCE	DESCRIPTION
1			Courroie de variation	11			Ensemble d'inversion
2			Camé de commande RS800 F	12			Ensemble d'entraînement
3			Dispositif de guidage de la courroie	13			Ensemble de fixation RS800
4			Cache RS800 F	14			Ensemble de variation
5			Jeu de joints de sortie RS800	15			Ensemble de commandes RS800 F
6			Ensemble de friction				
7			Outil entraîné				
8			Ensemble entraîné RS800				
9			Ensemble de freins				
10			Ensemble de dérivation				

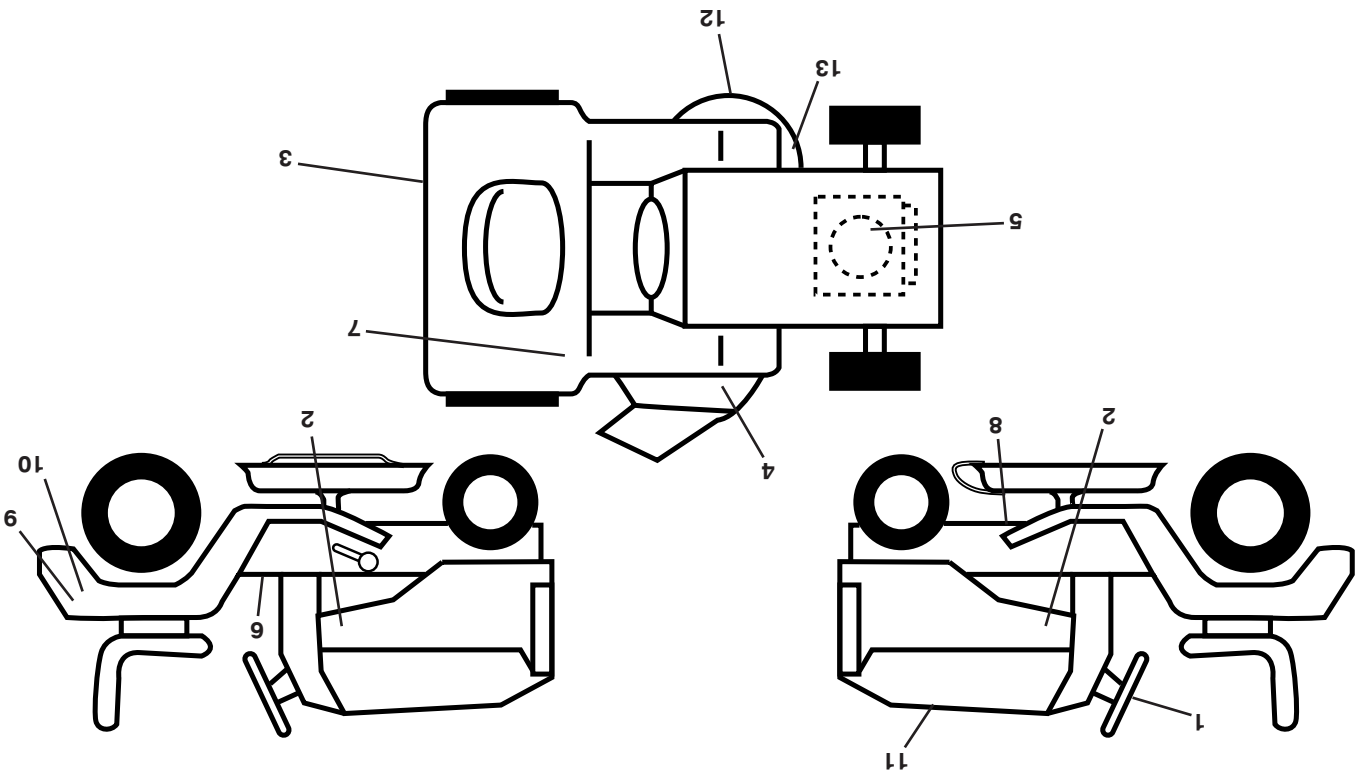
REMARQUE: Toutes les dimensions de composant sont données en pouces E.-U. -- 1 pouce = 25,4 mm





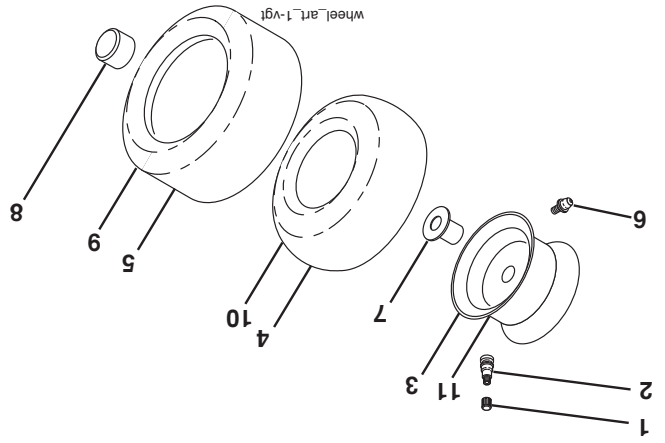
# TRACTEUR -- NUMÉRO DE MODÈLE 944.603640

## DECALCOMANIES



NO.	DÉ	REF.	DESCRIPTION
1	NO	439525	Décalcomanie, Volant de direction
2	DÉ	443183	Décalcomanie du capot
3	DÉ	441121	Décalcomanie, Tableau De Bord
4	DÉ	581579501	Décalcomanie, tondeuse
5	DÉ	426028	Décalcomanie, Moteur C.V.
6	DÉ	581579001	Décalcomanie d'avertissement de
7	DÉ	581579901	Tableau De Bord
8	DÉ	421534	Décalcomanie de courroie
9	DÉ	149517	Décalcomanie d'avertissement de batterie
10	DÉ	448709	Décalcomanie de batterie
11	NO	580385701	Décalcomanie, Remplacement
12	DÉ	426593	Décalcomanie de tondeuse
13	DÉ	581580001	Décalcomanie de courroie de tondeuse
1	NO	581580001	Décalcomanie de courroie de tondeuse
2	DÉ	193226X428	Coussin de repose-pied (C.G.)
3	DÉ	193227X428	Coussin de repose-pied (C.D.)
4	DÉ	581724801	Décalcomanie, Dérivation
5	DÉ	584477032	Manuel de L'Opérateur
6	DÉ	584477127	Manuel des Pièces de Rechange
7	DÉ	584477127	(Anglais/Français)
8	DÉ	584477127	(Anglais/Français)

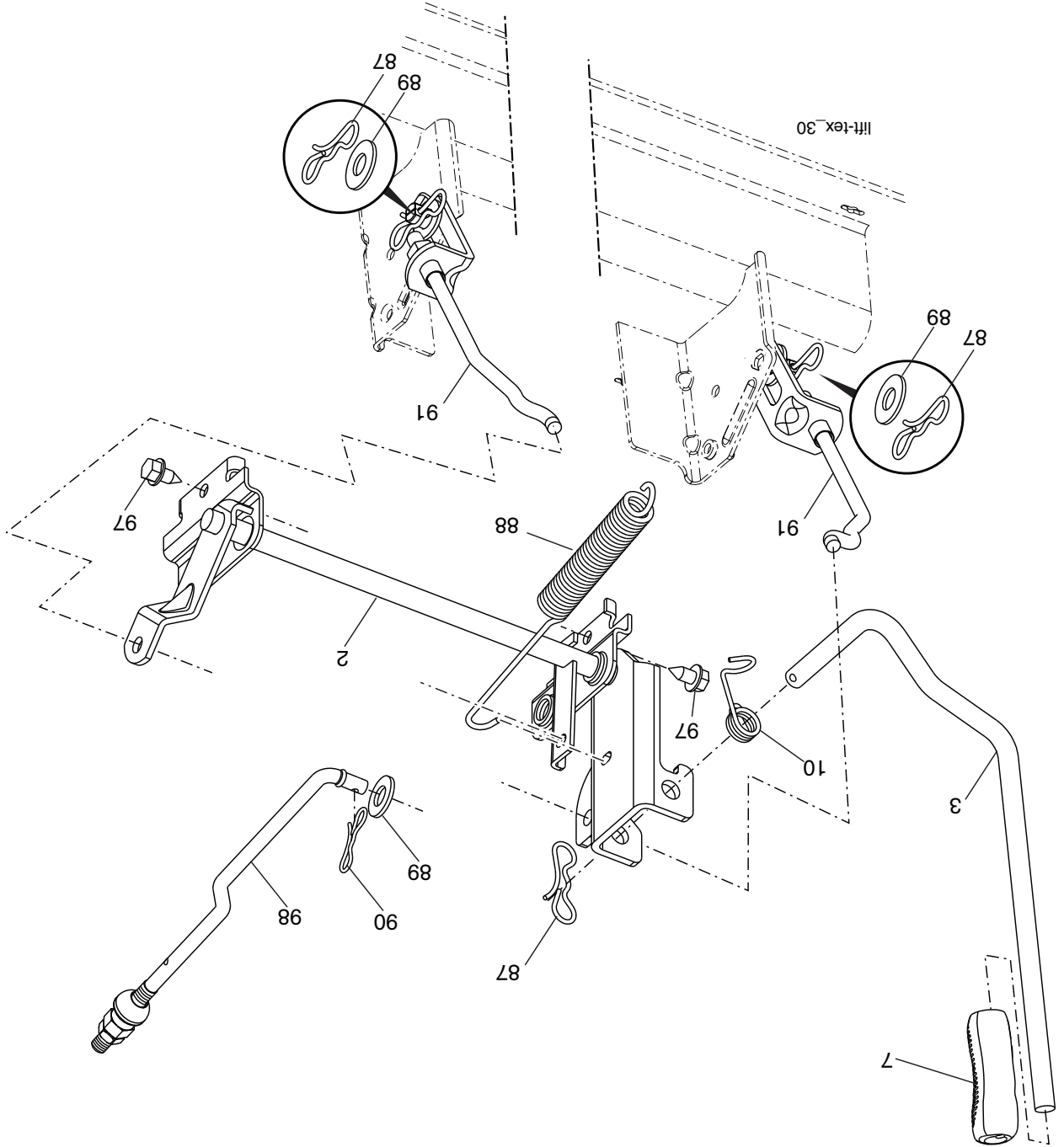
## PNEU



NO.	DÉ	REF.	DESCRIPTION
1	NO	59192	Chapeau de soupape du pneu
2	DÉ	65139	Tuyau du soupape
3	DÉ	106732X613	Assemblage de la jante antérieure
4	DÉ	59904	Chambre à air antérieure
5	DÉ	106222X	Pneu antérieur 15 x 6.0-6
6	DÉ	278H	Graisneur
7	DÉ	9040H	Palier à collerette
8	DÉ	104757X613	Chapeau de l'essieu (Roue antérieure
9	DÉ	138468	Pneu arrière 20 x 8-8
10	DÉ	7152J	Chambre à air arrière
11	DÉ	106108X613	Assemblage de la jante arrière
12	DÉ	144334	Joint d'étanchéité de pneu (tube de

**REMARQUE:** Toutes les dimensions de composant sont données en pouces E.-U. -- 1 pouce = 25,4 mm

**TRACTEUR -- NUMÉRO DE MODÈLE 944.603640**  
**LEVAGE DE LA TONDEUSE**



NO. DE PIÈCE	REF.	DESCRIPTION
91	197984	Raccord du levage, arrière
97	17060612	Vis 3/8-16 x .75
98	420525	Raccord du levage, avant

NO. DE PIÈCE	REF.	DESCRIPTION
2	422027	Ensemble de l'arbre
3	426986	Levier de l'ensemble, C.D.
7	445060X428	Poignée
10	196314	Ressort de torsion
87	194209	Goupille fendue 7/16
88	195303	Ressort
89	19191912	Rondelle
90	194208	Goupille fendue 5/16

**REMARQUE:** Toutes les dimensions de composant sont données en pouces E.-U. -- 1 pouce = 25,4 mm.

# TRACTEUR - - NUMÉRO DE MODÈLE 944.603640

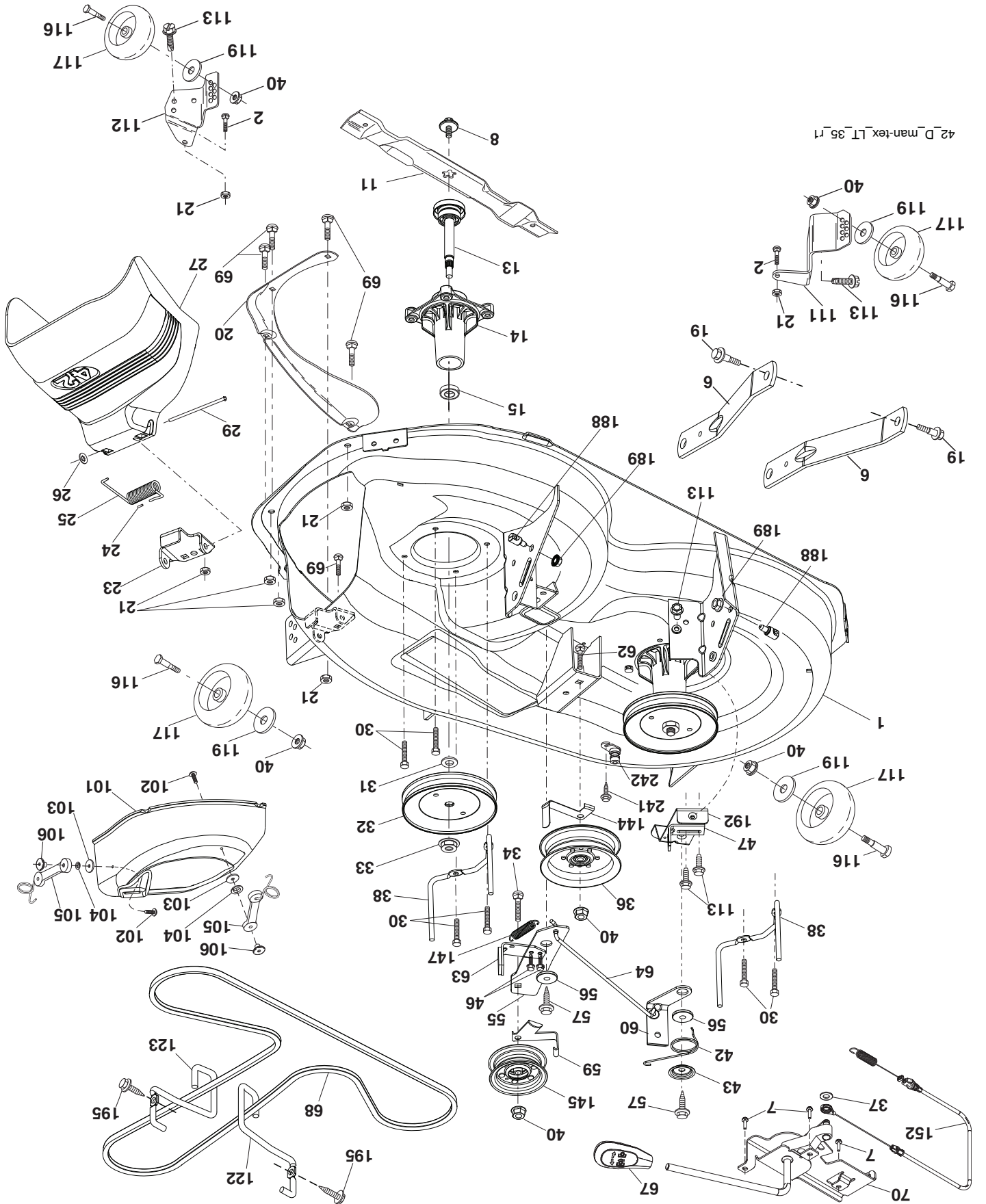
## CARTER DE TONDEUSE

NO.	DE	PIÈCE	DESCRIPTION	NO.	DE	PIÈCE	DESCRIPTION
1	DE	196495X615	Tondeuse du gazon	69	DE	72140505	Bouillon 5/16-18 x 5/8
2	DE	72140506	Boit RDHD.SQNK. 5/16-18 unc x 3/4	70	DE	199972	Assemblage d'embrayage
6	DE	195186	Tige du suspension	101	DE	193107	Couverture
7	DE	416358	Vis 10 x .750	102	DE	71081010	Vis 10-24 x 5/8
8	DE	193003	Bouillon/Rondelle 7/16-20 unft	103	DE	19061216	Rondelle #10
11	DE	424752	Lame 3N1 "Supérieure"(Pour ramassage ou décharge)	104	DE	10071000	Rondelle #10
13	DE	192872	Assemblage d'arbre du mandrin	105	DE	160793	Ensemble de loquet
14	DE	187281	Boitier de mandrin	106	DE	2029J	Erou .327/.304 #10-24
15	DE	110485X	Palier du mandrin	111	DE	404784	Support de roue (C.G.)
19	DE	196539	Bouillon	112	DE	404785	Support de roue (C.D.)
20	DE	159770	Chicane	113	DE	17000510	Bouillon 5/16-18
21	DE	73680500	Erou 5/16-18 unc	116	DE	4898H	Bouillon
23	DE	192557	Support de déflecteur	117	DE	188606	Roue
24	DE	105304X	Chapeau	119	DE	19121414	Rondelle
25	DE	197026	Ressort	122	DE	197258	Garde du courroie (C.G.)
26	DE	110452X	Erou	123	DE	197259	Garde du courroie (C.D.)
27	DE	424469	Déflecteur	144	DE	199204	Garde du courroie
29	DE	131491	Tige d'articulation	145	DE	193197	Pouille de tension
30	DE	173984	Vis	147	DE	401971	Ressort de retour
31	DE	187690	Rondelle d'entretoise	152	DE	584243501	Câble d'embrayage avec ressort
32	DE	197473	Pouille de mandrin	152	DE	416405	Connecter d'accouplement du rapide
33	DE	400234	Erou	152	DE	192870	Assemblage du mandrin (inclut boitier (#14), ensemble arbre (#13), et palier seulement (#15) - pouille/ecrou/rou-delle et lame, bouillon/rondelle n'est pas inclus)
34	DE	72110612	Bouillon 3/8-16 x 1-1/2 Cat. 5	241	DE	152927	Vis #10-32.5. 3/8
36	DE	197379	Pouille de galet-tendeur	242	DE	415598	Raccord de levage
37	DE	19131316	Rondelle	--	DE	416405	Connecter d'accouplement du rapide
38	DE	432520	Garde de courroie	--	DE	437732	Tondeuse du gazon pour remplacement, Complète
40	DE	73900600	Erou 3/8-16 unc				
42	DE	198410	Ressort de torsion du frein				
43	DE	197256	Ressort de torsion de retenue				
46	DE	137729	Vis 1/4-20 x 5/8				
47	DE	197250	Support du câble de commande				
55	DE	437110	Tige				
56	DE	199092	Entretoise de retenue				
57	DE	1700616	Vis 3/8-16 x 1				
59	DE	141043	Garde de pouille				
60	DE	197261	Tige du frein du tondeuse				
62	DE	72110616	Bouillon 3/8-16 unc x 2				
63	DE	199477	Tige du frein du tondeuse				
64	DE	199790	Tige du frein				
67	DE	198398X667	Poignée du câble de commande				
68	DE	429636	Courroie de tondeuse				

**REMARQUE:** Toutes les dimensions de composant sont données en pouces E.-U. -- 1 pouce = 25,4 mm

**TRACTEUR - - NUMÉRO DE MODÈLE 944.603640**

**CARTER DE TONDEUSE**



42\_D\_man-lex\_LT\_35 r1

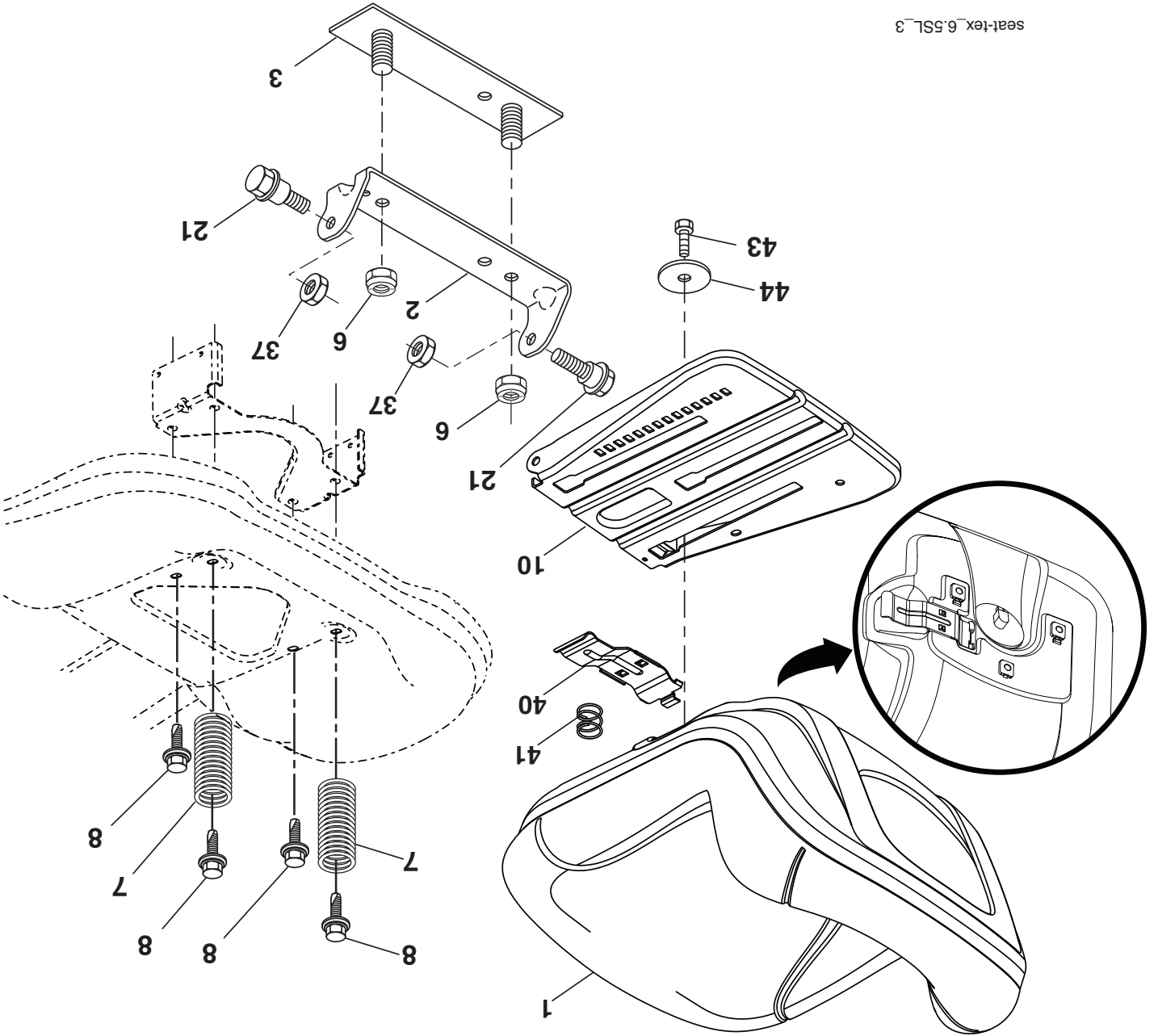
**TRACTEUR - - NUMÉRO DE MODÈLE 944.603640**  
**ENSEMBLE DU SIÈGE**

NO.	DE	RÉF.	PIÈCE	DESCRIPTION
1		423645		Siège
2		180166		Support de pivot
3		140675		Support de siège
6		73800600		Contre-écrou avec rondelle insert 3/8-16
7		124181X		Ressort de compression du siège
8		171877		Boulon 5/16-18 unc x 3/4
10		196977		Panneau du siège
21		171852		Boulon 5/16-18
37		73800500		Contre-écrou 5/16-18
40		197661		Poignée de siège
41		198200		Ressort de siège
43		74760612		Boulon 3/8-16 x 3/4
44		19133812		Rondelle 13/32 x 2-3/8 x 12 Ja.

**REMARQUE:** Toutes les dimensions de composant sont données en pouces E.-U. -- 1 pouce = 25,4 mm

TRACTEUR - - NUMÉRO DE MODÈLE 944.603640  
ENSEMBLE DU SIÈGE

seat-tex\_6:SSL\_3



# TRACTEUR - - NUMÉRO DE MODÈLE 944.603640

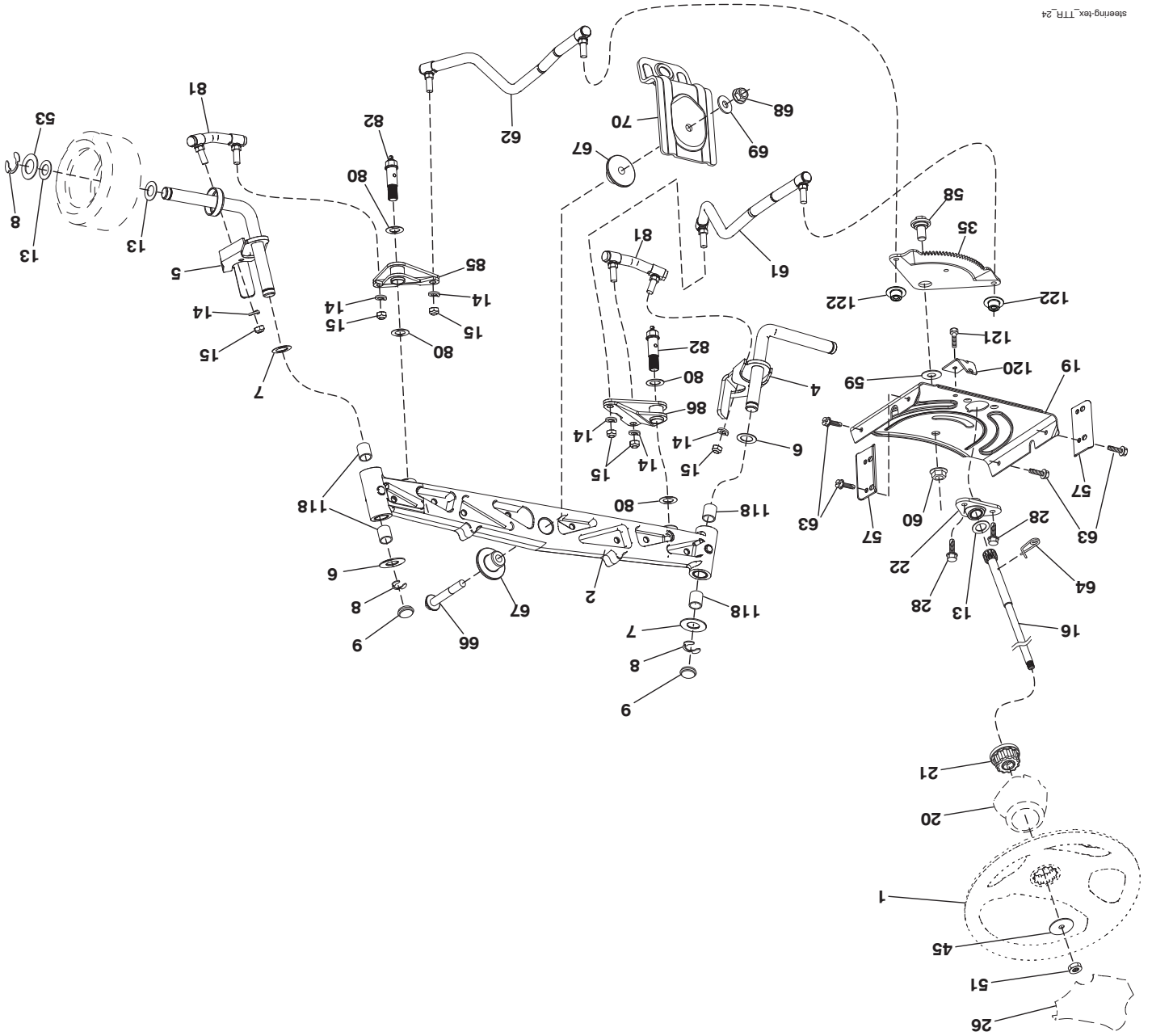
## ENSEMBLE DE LA DIRECTION

NO.	DE	RÉF.	PIÈCE	DESCRIPTION
1		414803X428		Volant de direction
2		436870		Assemblage d'essieu
4		436873		Fusée d'arbre (C.G.)
5		436874		Fusée d'arbre (C.D.)
6		6266H		Pallier
7		121748X		Rondelle 25/32 x 1-5/8 x 16 Ja.
8		12000029		Anneau de retenue #T5304-75
9		184946X667		Chapeau de fusée d'arbre
13		121749X		Rondelle 25/32 x 1-1/4 x 16 Ja.
14		10040600		Rondelle 3/8
15		73540600		Écrou 3/8-24 unft
16		440785		Arbre de direction
19		194729		Plaque de direction
20		199676X428		Plaque de direction
21		437747		Adaptateur du volant de direction
22		194845		Support inférieur
26		414852X428		Chapeau du volant de direction
28		17000612		Vis 3/8-16 x 3/4
35		440770		Plaque de mécanisme denté
45		19183812		Rondelle 9/16 ID x 2-3/8 OD x 12 Ja.
51		73940800		Écrou 1/2-20 unft
53		188967		Rondelle : 793 x 1.637 x .060
57		407465		Support
58		194747		Boulon
59		194748		Rondelle
60		73971000		Contre-écrou collerette 5/8-11
61		436884		Tige de direction (C.G.)
62		436885		Tige de direction (C.D.)
63		17000512		Vis 5/16-18 x 3/4
64		199849		Collier de retenue
66		71020748		Boulon 7/16-14 x 3
67		194737		Coussinet
68		73900700		Contre-écrou collerette 7/16-14 Cat. 5
69		199162		Rondelle 1.5 x .505 x .118
70		196197		Support du suspension de tondeuse
80		1370H		Rondelle
81		436887		Tige (C.D.)
82		436877		Bolton
85		441873		Tige de pivot (C.D.)
86		441872		Tige de pivot (C.G.)
118		406013		Douille
120		415689		Support
121		17490508		Vis 5/16-18 x 1/2
122		444962		Chapeau

**REMARQUE:** Toutes les dimensions de composant sont données en pouces E.-U. -- 1 pouce = 25,4 mm



**TRACTEUR - - NUMÉRO DE MODÈLE 944.603640**  
**ENSEMBLE DE LA DIRECTION**



steering-lex\_TFR\_24

# TRACTEUR - - NUMÉRO DE MODÈLE 944.603640

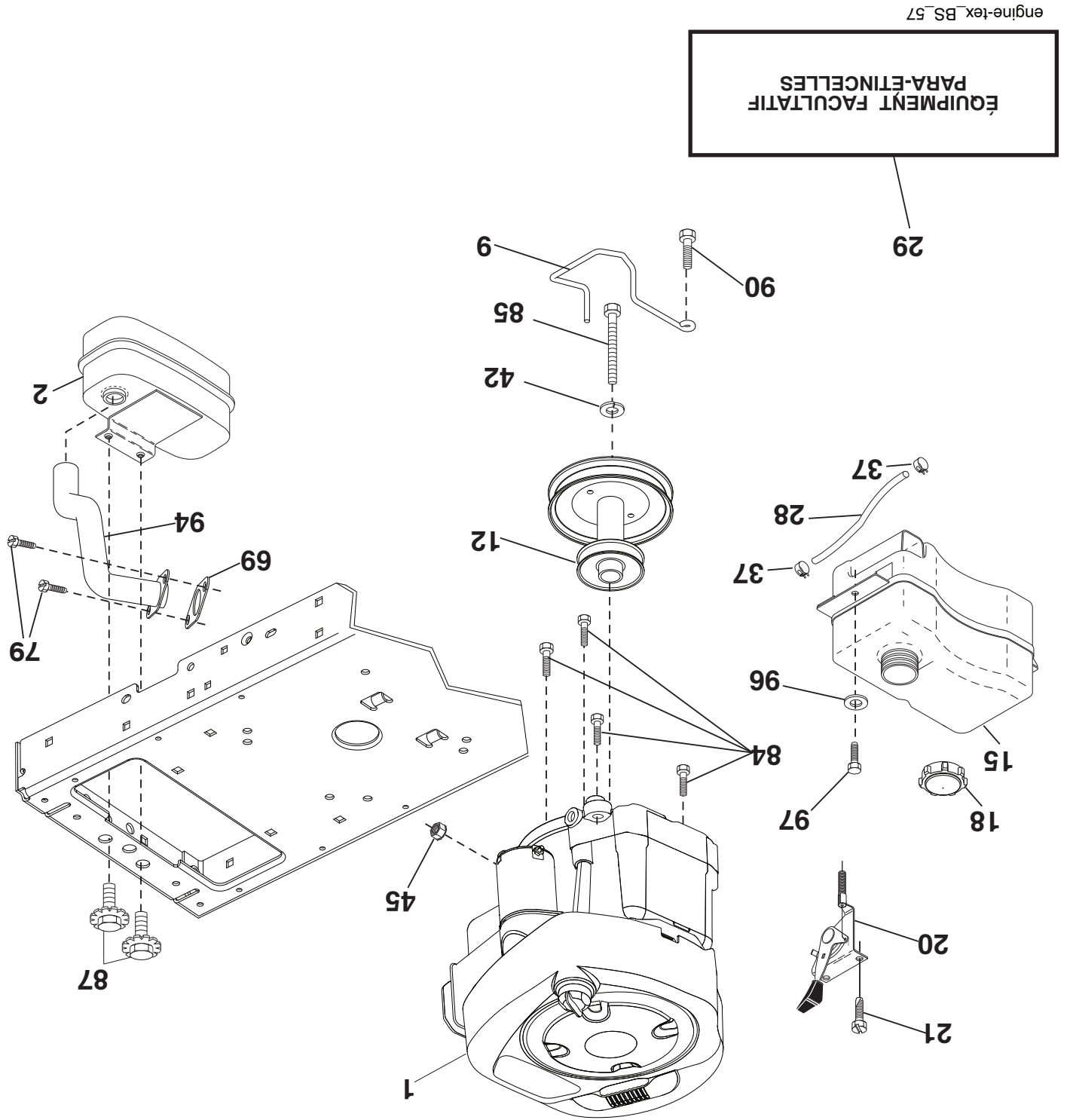
## MOTEUR

NO.	DÉ	REF.	DESCRIPTION
2		580532301	Silencieux
9		584911601	Garde du courroie du moteur
12		401985	Pouille du moteur
15		581290101	Réservoir d'essence
18		430220	Chapeau d'essence
20		175438X428	Commande des gaz et l'étrangleur
21		416358	Vis 10 x .750
28		401137	Conduite d'essence
29		137180	Jeu de pare - étincelles
37		123487X	Collier de serrage pour tuyaux flexibles
42		10040700	Rondelle 7/16
45		73510400	Ecroû 1/4-20 unc
69		165291	Garniture
79		192334	Vis 5/16-18 x .75
84		17060620	Vis 3/8-16 x 1-1/4
85		173937	Boulon 7/16-20 x 4 x Cat. 5-1.5
87		171877	Boulon 5/16-18 unc x 3/4
90		17000616	Vis 3/8-16 x 1.0
94		581880901	Tuyau d'échappement
96		19091416	Rondelle 9/32 x 7/8 x 16 Ja.
97		17670412	Vis 1/4-20 x 3/4

**REMARQUE:** Toutes les dimensions de composant sont données en pouce d'E.-U. - - 1 pouce = 25,4 mm.

### Informations concernant la puissance théorique du moteur

La puissance brute pour chaque Modèle de moteur à essence est indiquée conformément au code J1940 (procédure de calcul de la puissance et du couple des petits moteurs) de la SAE (Society of Automotive Engineers) et les performances théoriques ont été obtenues et corrigées selon SAE J1995 (révision 2002-05). Les valeurs de couple sont calculées sur la base de 3060tr/min et celles de puissance sur la base de 3600tr/min. La puissance brute réelle du moteur peut être plus faible notamment à cause des conditions de fonctionnement et des variations d'un moteur à l'autre. Compte tenu de la grande variété de machines sur lesquelles nos moteurs sont utilisés et du nombre de problèmes environnementaux applicables au fonctionnement des équipements, il se peut que le moteur à essence ne développe pas sa puissance théorique une fois qu'il est monté sur une machine particulière (puissance nette ou réelle «sur site»). Cette différence s'explique par un grand nombre de facteurs, tels que (liste non limitative): accessoires (filtre à air, échappement, admission, refroidissement, carburateur, pompe à essence, etc.), limites d'utilisation, conditions ambiantes d'utilisation (température, humidité, altitude) et variations d'un moteur à l'autre. Pour des raisons de fabrication et de capacité limitées, Briggs & Stratton est susceptible de remplacer ce Modèle par un moteur plus puissant.

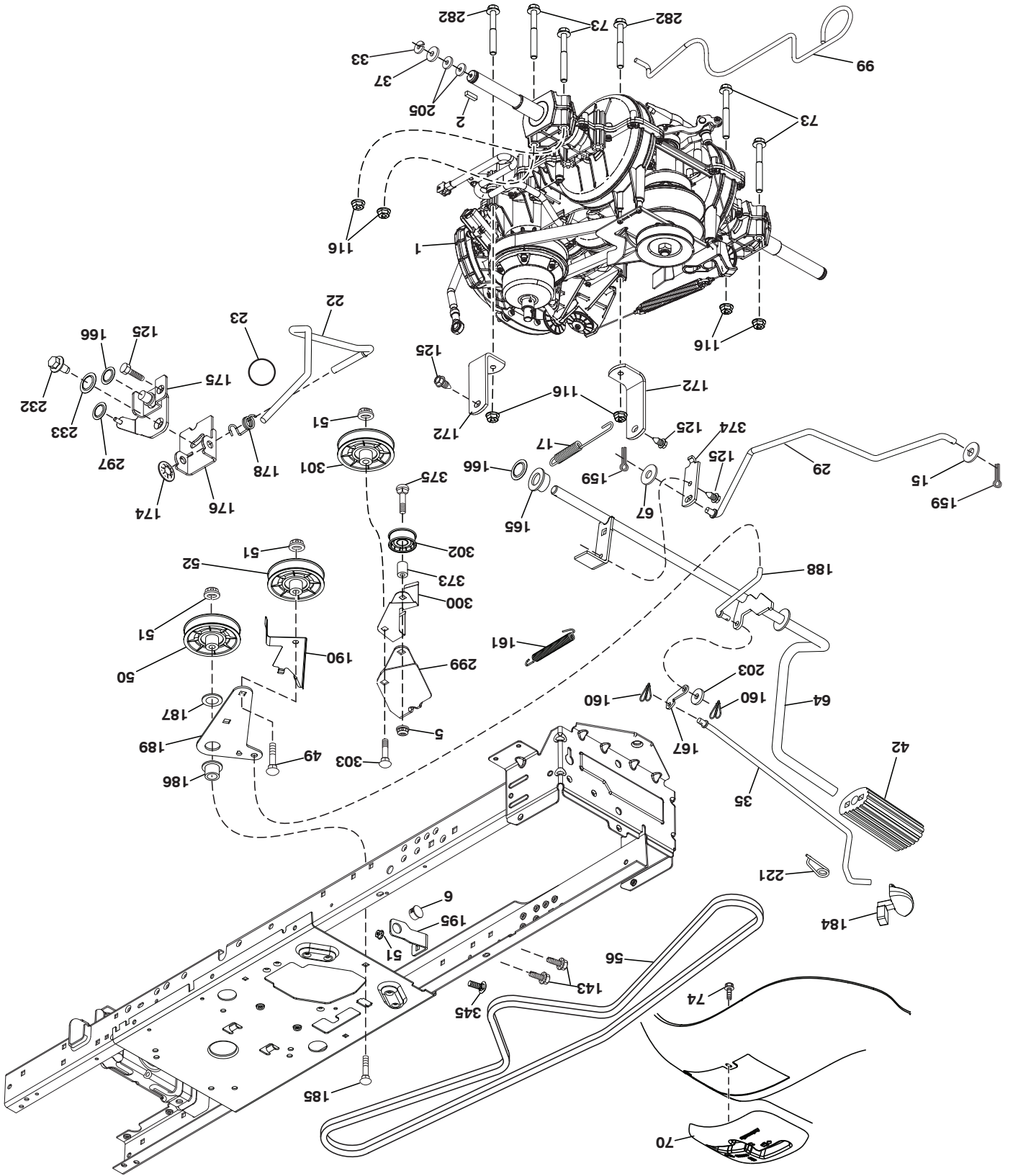


# TRACTEUR - - NUMÉRO DE MODÈLE 944.603640

## ENTRAÎNEMENT

NO. DE RÉF.	DESCRIPTION	NO. DE RÉF.	DESCRIPTION
1			Transaxe, Gentrans (580486301)
2		125583X	Ciê 2.0 X .1845/.1865
5		73680600	Ecroû
6		124028X	Douille De Bouton-Pression
15		19131316	Rondelle 13/32 x 13/16 x 16 Ja.
17		413678	Ressort De Rappel-Du Frein
22		421063	Tige
23		140845	Bouton
29		581479301	Tige Du Frein
33		12000001	Anneau.#5133-75
35		583864501	Tige De Frein Du Stationnement
37		188967	Rondelle .793 x 1.637 x 060
42		8883R	Couvercle Du Pedale
49		72110614	Boulon 3/8-16 Unc X 1-3/4. Cat. 5
50		194327	Pouille
51		73900600	Ecroû 3/8-16
52		194326	Pouille
56		197253	Courroie
64		580401501	Ensemble Du Tige Du Frein
67		19131312	Rondelle 13/32 x 13/16 x 12 Ja.
70		440323	Console
73		74490544	Boulon 5/16-18.Cat.5
74		142432	Vis 1/4 X 1/2 Unc
99		435935	Tige
116		73900500	Ecroû 5/16-18 Unc
125		17000512	Vis .5/16-18X3/4
143		17490508	Vis.5/16-18 X 1/2
159		76020412	Goupille Fendue 1/8 x 3/4
160		169484	Ressort De Retenue
161		105709X	Ressort D'embrayage 6.75
165		196212	Douille
166		429164	Ecroû .625
167	405257	167	Du Frein De Stationnement
		172	Support
		174	Ecroû .500
		175	Tige Du Mouvement
		176	Tige
		178	Ressort Du Mouvement
		184	Poignée
		185	Boulon.3/8-16 Unc X 2-3/4 Cat. 5
		186	Entretoise
		187	Rondelle.13/32 X 2 X 10 Ja.
		188	Tige D'embrayage
		189	Support
		190	Support
		195	Support De Frein
		203	Rondelle 11/32 X 11/16 X 16 Ja.
		205	Rondelle.25/32 X 1-5/8 X 16 Ja.
		221	Ressort De Retenue
		232	Boulon. 7/16-14 X 1 Cat.5
		233	Rondelle
		282	Vis 5/16-18 X 3
		297	Ecroû 1/4
		299	Support De Pouille
		300	Garde Du Pouille
		301	Pouille
		302	Pouille
		303	Boulon 3/8-16 X 2-1/4
		345	Boulon 3/16 x 1 Cat. 5
		373	Entretoise
		374	Levier De Frein
		375	Boulon

REMARQUE: Toutes les dimensions de composant sont données en pouces E.-U. -- 1 pouce = 25,4 mm.



TRACTEUR - - NUMÉRO DE MODÈLE 944.603640  
ENTRAÎNEMENT

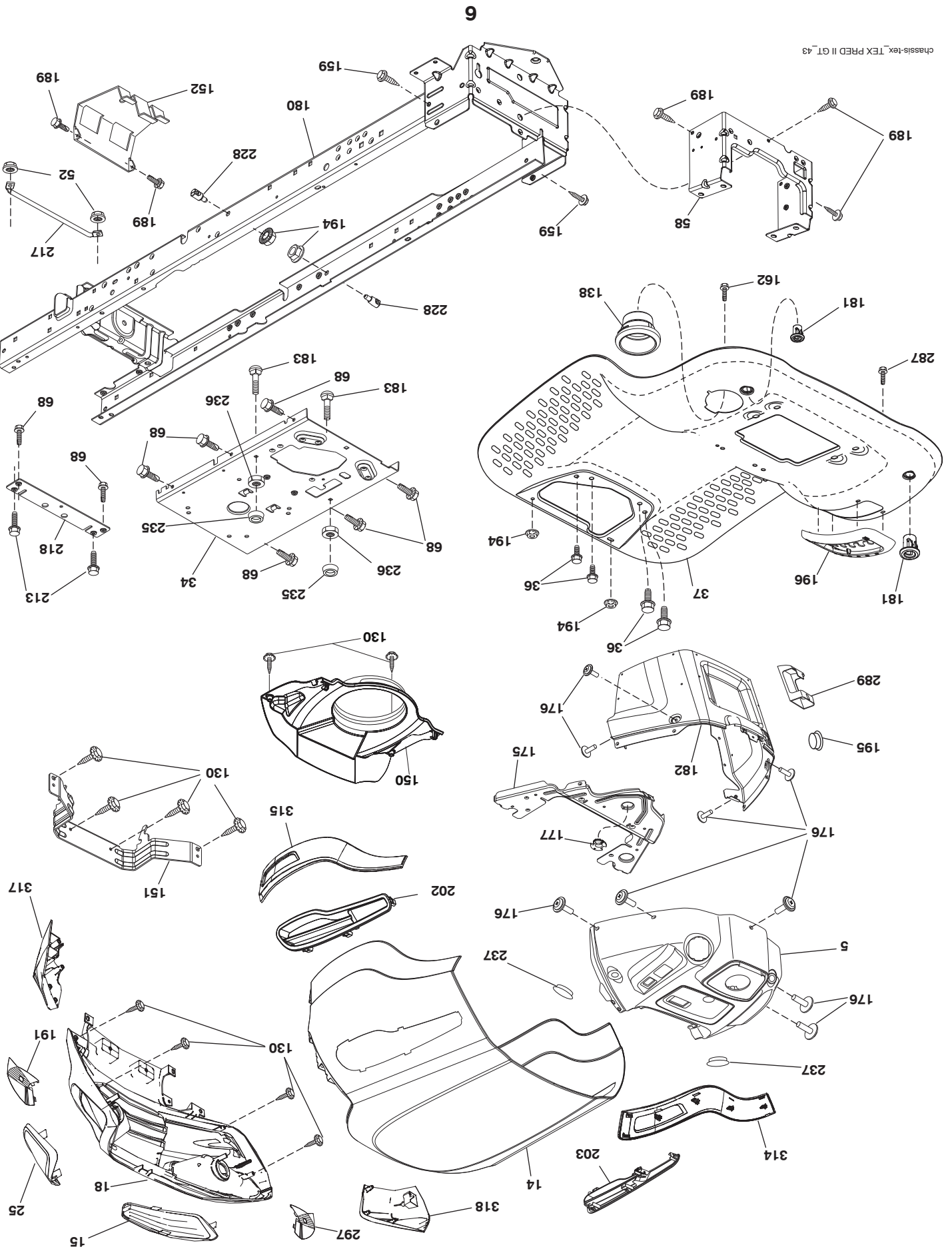
# TRACTEUR - - NUMÉRO DE MODÈLE 944.603640

## CHÂSSIS/ENCEINTES

NO. DE DÉ	REF. PIÈCE	DESCRIPTION
5	421810X428	Tableau de bord
14	421154X615	Capot
15	421493X599	Lentille (C.G.)
18	441721X428	Gillie
25	421494X599	Lentille (C.D.)
34	580910801	Plaque
36	17060512	Vis 5/16-18 x 3/4
37	414872X615	Fender
52	73680500	Écrou 5/16-18
58	412280	Barre d'attelage
68	17490508	Vis 5/16-18 x 1/2
130	416358	Vis #10 x 0.750
138	193224X428	Support De Tasse
150	584862903	Conduit d'entrée d'air
151	445494	Support
152	199535	Bouclier de débris
159	17000612	Vis 3/8-16 x 3/4
162	142432	Vis 1/4 x 1/2
175	196304	Traverse
176	400776	Vis 10-24 x 5/8
177	195227	Coussinet
180	415063	Châssis
181	193102X428	Coussinet
182	406859	Tableau du bord intérieur
183	74520520	Boulon 5/16-18 x 1-1/4
189	17000512	Vis 5/16-18 x 3/4
191	425407	Insert (C.D.)
194	73900500	Écrou 5/16-18
195	401556X428	Bouchon
196	431658	Assemblage du console
202	441722X428	Évente (C.D.)
203	441723X428	Évente (C.G.)
213	74760512	Boulon 5/16-18 x 3/4
217	409167	Tige
218	196395	Capot support d'arrêt
228	195161	Attache à tenon
235	406129	Entretoise du pare-chocs
236	73930500	Écrou 5/16-18
237	403704	Bouchon
287	17600406	Vis 1/4-20 x 3/8
289	199783X428	Bouchon
297	425406	Insert (C.G.)
314	441665	Moulure de côte (C.G.)
315	441664	Moulure de côte (C.D.)
317	421257X615	Pare-chocs (C.D.)
318	421258X615	Pare-chocs (C.G.)
---	404951X428	Bouchon

**REMARQUE:** Toutes les dimensions de composant sont données en pouces E.-U. -- 1 pouce = 25,4 mm

TRACTEUR - - NUMÉRO DE MODÈLE 944.603640  
 CHÂSSIS/ENCEINTES



# TRACTEUR - - NUMÉRO DE MODÈLE 944.603640

## ELECTRIQUE

NO.	DE	RÉF.	PIÈCE	DESCRIPTION
1		163465	Batterie	
2		74760412	Boulon 1/4-20 unc x 3/4	
8		193228	Bac de batterie	
16		176138	Interrupteur	
21		400252	Harnais de prise de courant d'ampoule 4152J	
22		4152J	Ampoule	
25		412894	Cable 6 Ja. 14.5"	
26		175158	Fusible	
27		73510400	Ecrou 1/4-20 unc	
28		198885	Câble	
29		401545	Interrupteur de siège	
30		193350	Interrupteur d'allumage	
33		411934	Cle/Chaine	
34		110712X	Interrupteur des phares	
40		401098	Harnais (si équipé avec solénoïde avant)	
--		581023101	Harnais (si équipé avec solénoïde arrière)	
41		17720408	Vis 1/4-20 x 1/2	
42		131563	Couvercle de borne	
43		192507	Solénoïde	
55		17060512	Vis 5/16-18 x 3/4	
71		400449	Harnais (si équipé avec solénoïde avant)	
--		581023001	Harnais (si équipé avec solénoïde arrière)	
79		175242	Prise de courant d'ampoule	
87		197802	Interrupteur de verrouillage de câble d'embrayage	
90		435395	Couvercle du borne de batterie	
102		581901601	Harnais de fil	
105		407568	Commutez, renversez	

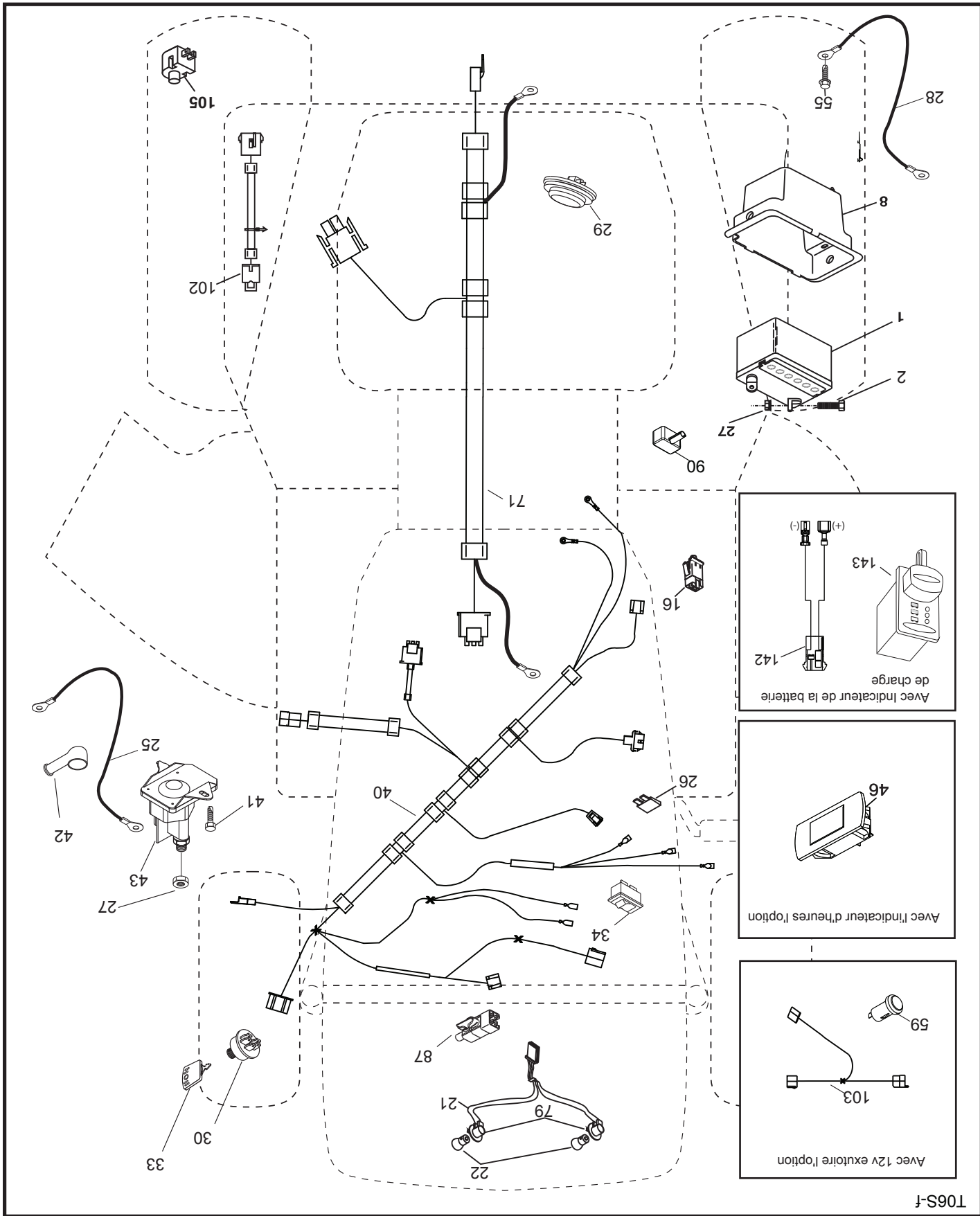
**REMARQUE:** Toutes les dimensions de composant sont données en pouces E.-U. -- 1 pouce = 25,4 mm



# TRACTEUR - - NUMÉRO DE MODÈLE 944.603640

## ELECTRIQUE

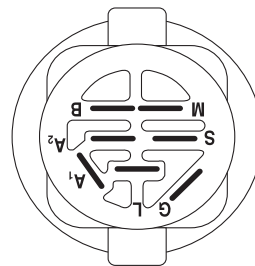
T06S-f



TRACTEUR - - NUMÉRO DE MODÈLE 944.603640

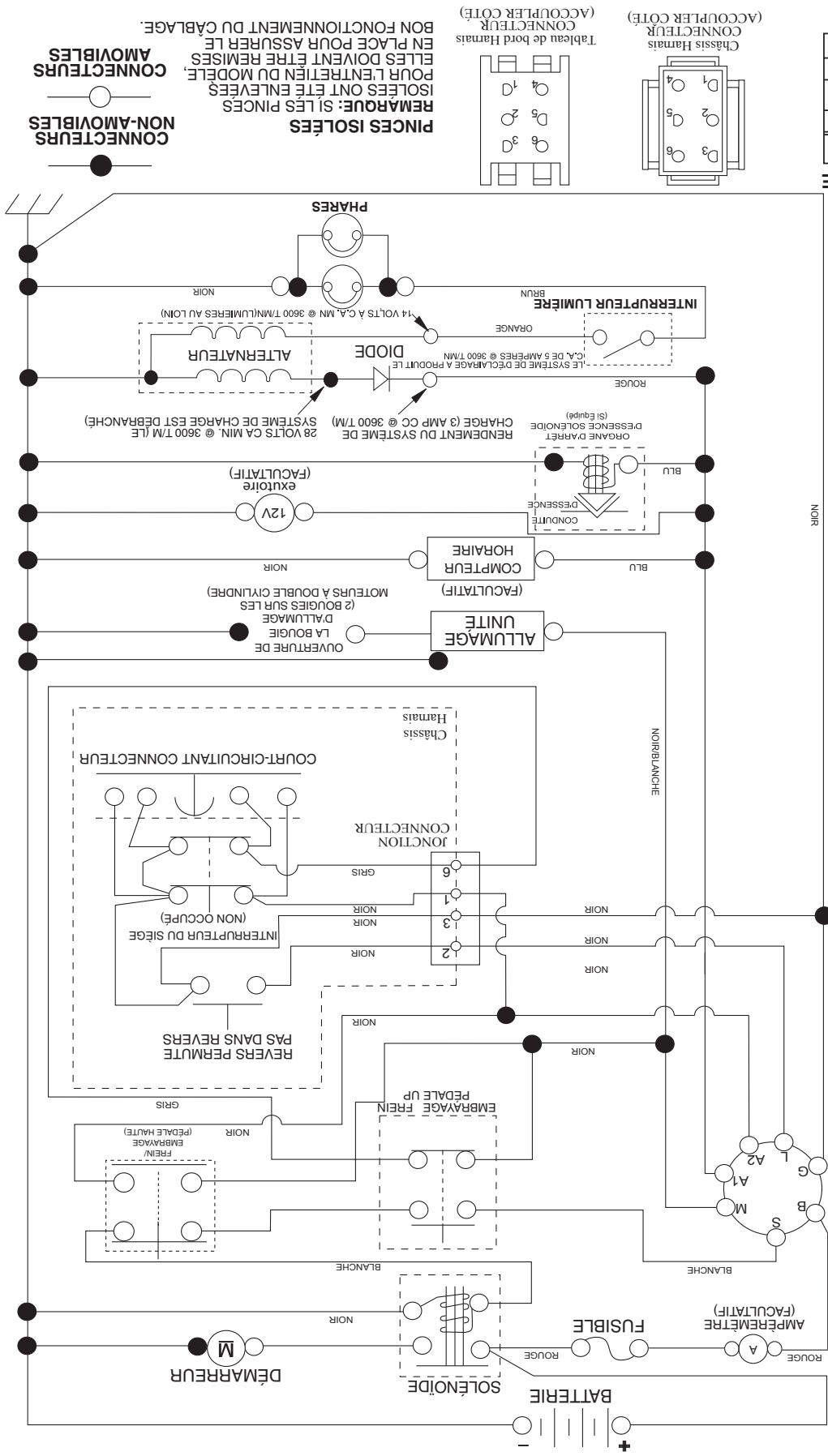
CONTACTEUR D'ALLUMAGE

POSITION	CIRCUIT "FAITS"
ARRÊT	M + G + A1
MARCHE/ ALLUMAGE	B + A1
MARCHE	B + A1
DÉPARTAGE	B + S + A1

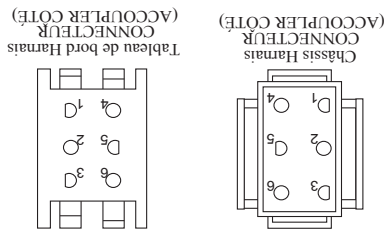


**REMARQUE**  
 VOTRE TRACTEUR EST ÉQUIPÉ D'UN SYSTÈME D'ALTERNATEUR SPÉCIAL AU LIEU D'ÊTRE BRANCHÉS SUR LA BATTERIE. LES PHARES DISPOSENT DE LEUR PROPRE SOURCE D'ÉNERGIE ÉLECTRIQUE. DONC LA BRILLANCE DES PHARES CHANGERA EN FONCTION DE LA VITESSE DU MOTEUR. AU RALENTI, LA BRILLANCE DES PHARES BAISSERA. QUAND LE MOTEUR EST ACCÉLÉRÉ, LA BRILLANCE ATTEINDRA SON MAXIMUM.

NOIR



3



**PINCES ISOLÉES**  
 REMARQUE: SI LES PINCES ISOLÉES ONT ÉTÉ ENLEVÉES, ELLES DOIVENT ÊTRE REMISES POUR L'ENTRETIEN DU MODÈLE. EN PLACE POUR ASSURER LE BON FONCTIONNEMENT DU CÂBLAGE.

**CONNECTEURS AMOVIBLES**

**CONNECTEURS NON-AMOVIBLES**

# COMMENT UTILISER CE MANUEL

Ce manuel a été dessiné pour fournir le client avec les moyens d'identification des pièces de détails du tracteur quand il/elle a besoin de commander les pièces de rechange. Les illustrations ne peuvent pas représenter exactement le modèle que vous avez acheté. N'utilisez pas ce manuel comme un guide dans le montage et/ou démontage de votre tracteur. La visserie montrée est plus grande pour faciliter l'identification.

Chaque tracteur a un numéro de modèle particulier.

Le numéro de modèle du produit se trouvera sur l'aile, dessous le siège.

Lorsque vous commandez des pièces de rechange, donnez toujours les renseignements suivants:

- Produit - "TRACTEUR"
- NUMÉRO DU MODÈLE - "944.603640"
- Numéro de la Pièce
- Description de la Pièce

## TABLE DE MATIERES

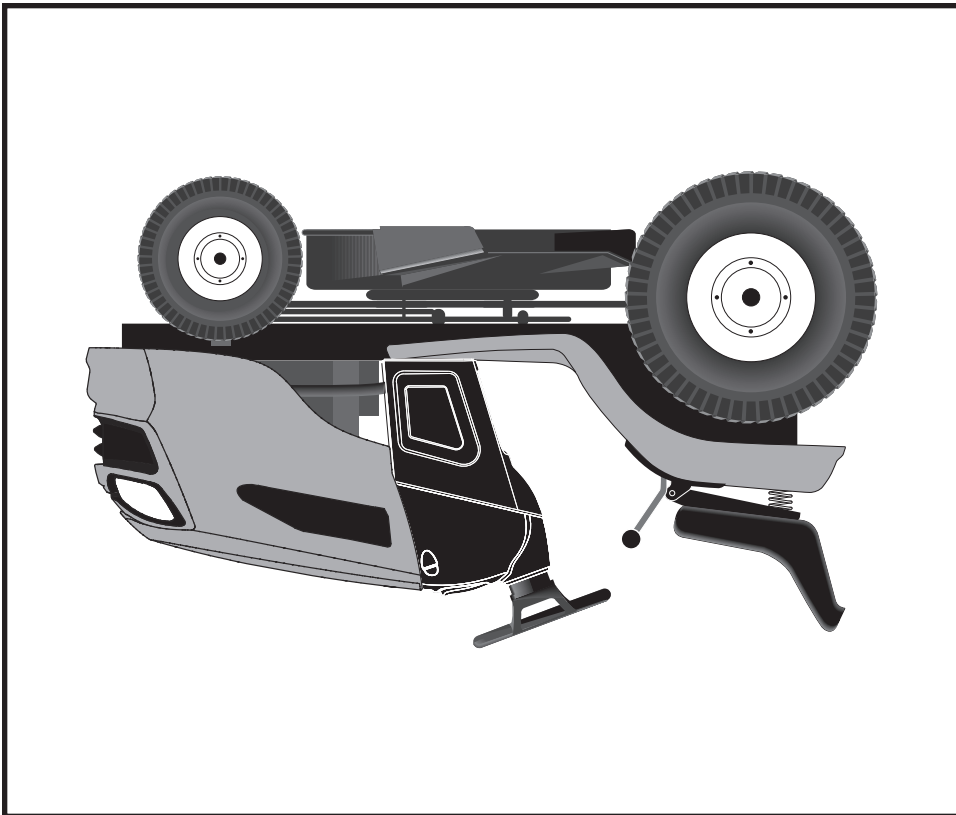
SCHEMA.....	3
ELECTRIQUE.....	4-5
CHASSIS/ENCEINTES.....	6-7
ENTRAÎNEMENT.....	8-9
MOTEUR.....	10-11
ENSEMBLE DE LA DIRECTION.....	12-13
ENSEMBLE DU SIÈGE.....	14-15
CARTER DE TONDEUSE.....	16-17
LEVAGE DE LA TONDEUSE.....	18
DECALCOMANIES.....	19
VOYEZ LES DÉTAILS DE TRANSMISSION.....	21
VOYEZ LES DÉTAILS DE MOTOR.....	22-25
ENTRETIEN DE "SEARS".....	26

Sears Canada, Inc., Toronto, Ontario M5B 2B8

\*As estimé par le fabricant de moteur

Vous pouvez utiliser de l'essence contenant jusqu'à 10 % d'éthanol (E10) avec cet appareil. L'utilisation d'essence contenant plus de 10 % d'éthanol annulera la garantie du produit.

**21,0 C.V.\***  
**DÉMARRAGE ÉLECTRIQUE**  
**TONDEUSE DE 107 CM (42 PO.)**  
**AUTOMATIQUE**  
**TRACTEUR DE PELOUSE**



Importante:  
Lisez et suivez  
le mode d'emploi  
et toutes les ré-  
gles de sécurité  
avant d'utiliser  
cet équipement.

**NUMÉRO DE  
MODÈLE  
944.603640**

**SEARS**  
**MANUEL DE  
PIÈCES DE  
RECHANGE**